

- [54] PORTABLE TELEVISION SET
- [75] Inventor: Tsuyoshi Horii, Tokyo, Japan
- [73] Assignee: Casio Computer Co., Ltd., Tokyo, Japan
- [\*\*] Term: 14 Years
- [21] Appl. No.: 777,236
- [22] Filed: Sep. 18, 1985
- [30] Foreign Application Priority Data

- Mar. 29, 1985 [JP] Japan ..... 60-12724
- [52] U.S. Cl. .... D14/77; D14/80
- [58] Field of Search ..... D14/77, 79-85, D14/99, 113; 358/254, 255; 312/7.2

[56] References Cited

- U.S. PATENT DOCUMENTS
- D. 183,782 10/1958 Winkler et al. .... D14/82
- D. 223,779 6/1972 Abell, Jr. .... D14/79

- D. 273,109 3/1984 Breger ..... D14/113 X
- D. 278,149 3/1985 Naito ..... D14/113
- D. 291,441 8/1987 Nishiyori et al. .... D14/77
- 4,438,458 3/1984 Munscher ..... 358/254

Primary Examiner—Bernard Ansher  
 Assistant Examiner—Theodore M. Shooman  
 Attorney, Agent, or Firm—Frishauf, Holtz, Goodman & Woodward

[57] CLAIM

The ornamental design for a portable television set, as shown and described.

DESCRIPTION

FIG. 1 is a front elevational view of a portable television set showing my new design;  
 FIG. 2 is a top plan view thereof;  
 FIG. 3 is a right side elevational view thereof, the left side being a mirror image;  
 FIG. 4 is a rear elevational view thereof;  
 FIG. 5 is a bottom plan view thereof; and  
 FIG. 6 is a front and left side perspective view thereof.

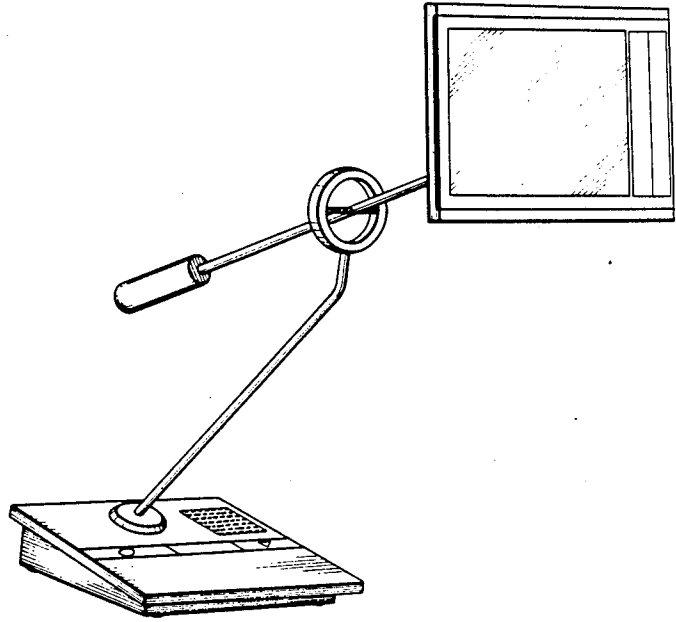


FIG. 2

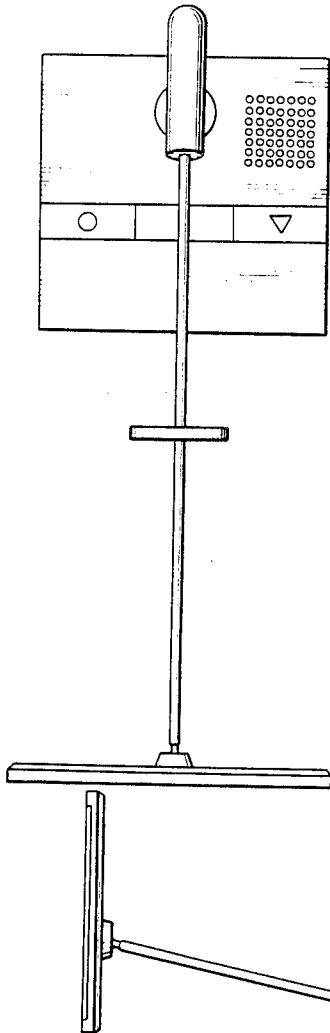


FIG. 1

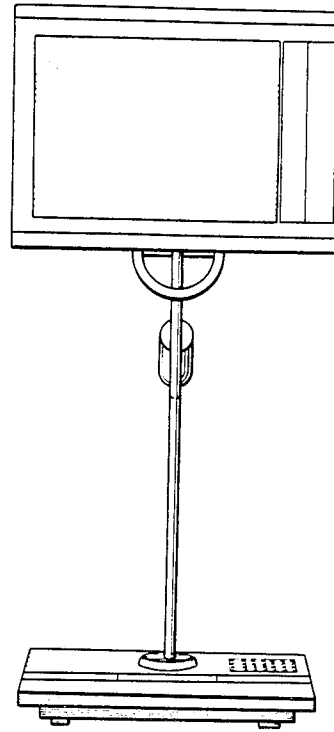


FIG. 3

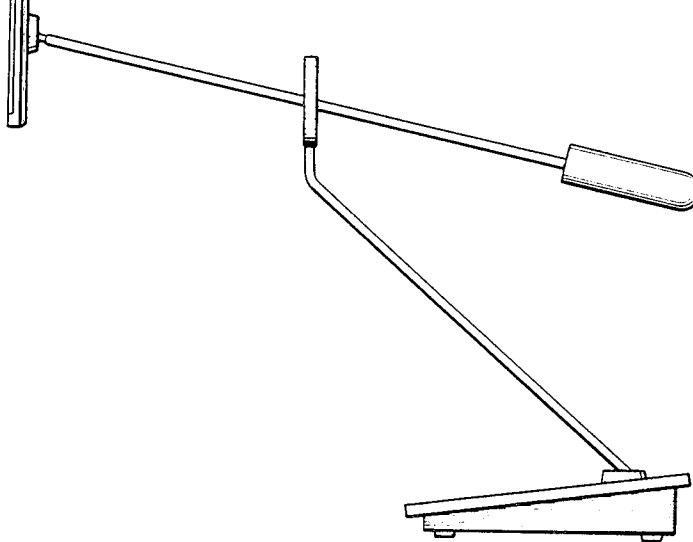


FIG. 5

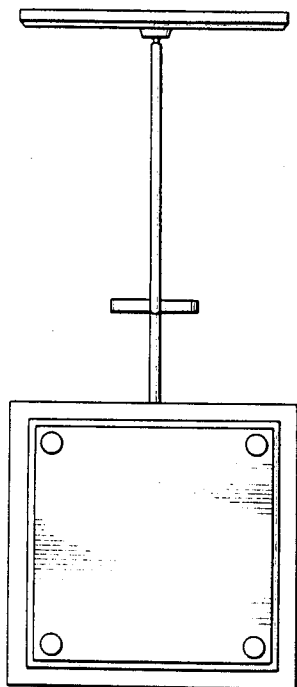


FIG. 4

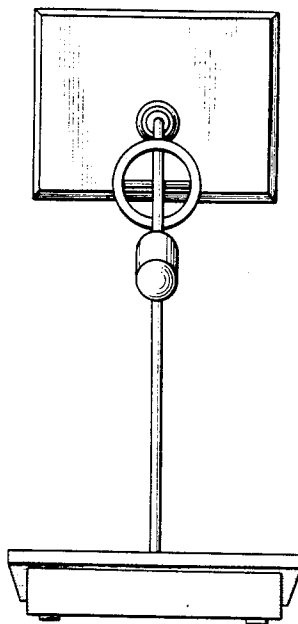


FIG. 6

