



US00D633949S

(12) **United States Design Patent**  
**Fayram**

(10) **Patent No.:** **US D633,949 S**

(45) **Date of Patent:** **\*\* Mar. 8, 2011**

(54) **PORTABLE ELECTRONIC GAMING DEVICE**

**DESCRIPTION**

(75) Inventor: **Richard Fayram**, Palo Alto, CA (US)

(73) Assignee: **LIF Capital**, San Leandro, CA (US)

(\*\*) Term: **14 Years**

(21) Appl. No.: **29/322,601**

(22) Filed: **Aug. 7, 2008**

(51) **LOC (9) Cl.** ..... **21-91**

(52) **U.S. Cl.** ..... **D21/324; D21/329**

(58) **Field of Classification Search** ..... D21/324-333;  
D14/496, 203.1-203.7; 273/148 B; 463/1,  
463/29-35, 46, 47; 345/156-161

See application file for complete search history.

(56) **References Cited**

**U.S. PATENT DOCUMENTS**

4,391,444	A *	7/1983	Bromley	463/4
4,959,647	A *	9/1990	Daigle	340/825.72
5,095,798	A *	3/1992	Okada et al.	463/35
5,161,803	A *	11/1992	Ohara	463/44
5,476,261	A *	12/1995	Hultstrand	273/148 B
D428,938	S *	8/2000	Tomizawa	D21/329
D449,347	S *	10/2001	Christianson	D21/329
D452,280	S *	12/2001	Ota et al.	D21/329
D453,536	S *	2/2002	Ota et al.	D21/329
D460,121	S *	7/2002	Furusato	D21/329
D539,354	S *	3/2007	Mak	D21/329

\* cited by examiner

*Primary Examiner*—Prabhakar Deshmukh

(74) *Attorney, Agent, or Firm*—Stattler-Suh PC

(57) **CLAIM**

The ornamental design for a portable electronic gaming device, as shown and described.

FIG. 1 illustrates a front elevational view of a portable electronic gaming device showing the invention's new design.

FIG. 2 illustrates a rear elevational view thereof.

FIG. 3 illustrates a top plan view thereof.

FIG. 4 illustrates a bottom plan view of thereof.

FIG. 5 illustrates a left side elevational view thereof.

FIG. 6 illustrates a right side elevational view thereof.

FIG. 7 illustrates a frontal perspective view of a second embodiment of FIG. 1 shown in an angled position, with the smart card shown in a depressed position.

FIG. 8 illustrates a rear perspective view of FIG. 1 shown in an angled position, with the stand shown in an alternate position.

FIG. 9 illustrates a rear perspective view of FIG. 1 shown in an angled position, similar to FIG. 8, with the stand shown in an extended telescopic position.

FIG. 10 illustrates a left side elevational view of FIG. 8.

FIG. 11 illustrates a left side elevational view of FIG. 9.

FIG. 12 illustrates a frontal elevational view of FIG. 1, shown in an alternate position of 90 degree clockwise rotation.

FIG. 13 illustrates a rear elevational view of FIG. 2, shown in an alternate position of 90 degree clockwise rotation.

FIG. 14 illustrates a frontal perspective view of FIG. 12, shown in an angled position, with the smart card shown in a depressed position.

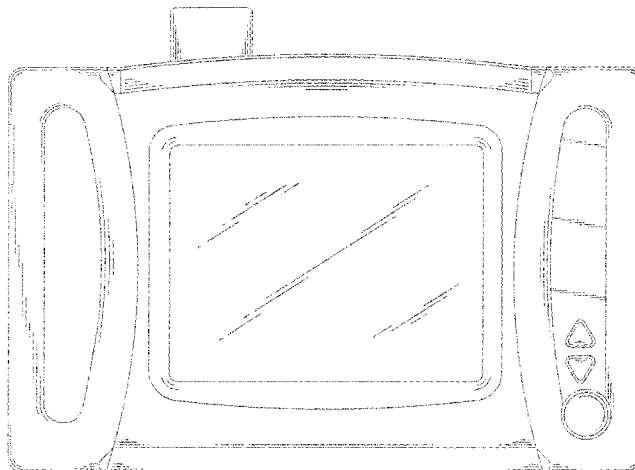
FIG. 15 illustrates a rear perspective view of FIG. 13, shown in an angled position, with the stand shown in an alternate position.

FIG. 16 illustrates a rear perspective view of FIG. 13 shown in an angled position, similar to FIG. 15, with the stand shown in an extended telescopic position.

FIG. 17 illustrates a left side elevational view of FIG. 15; and,

FIG. 18 illustrates a left side elevational view, similar to FIG. 16.

**1 Claim, 12 Drawing Sheets**



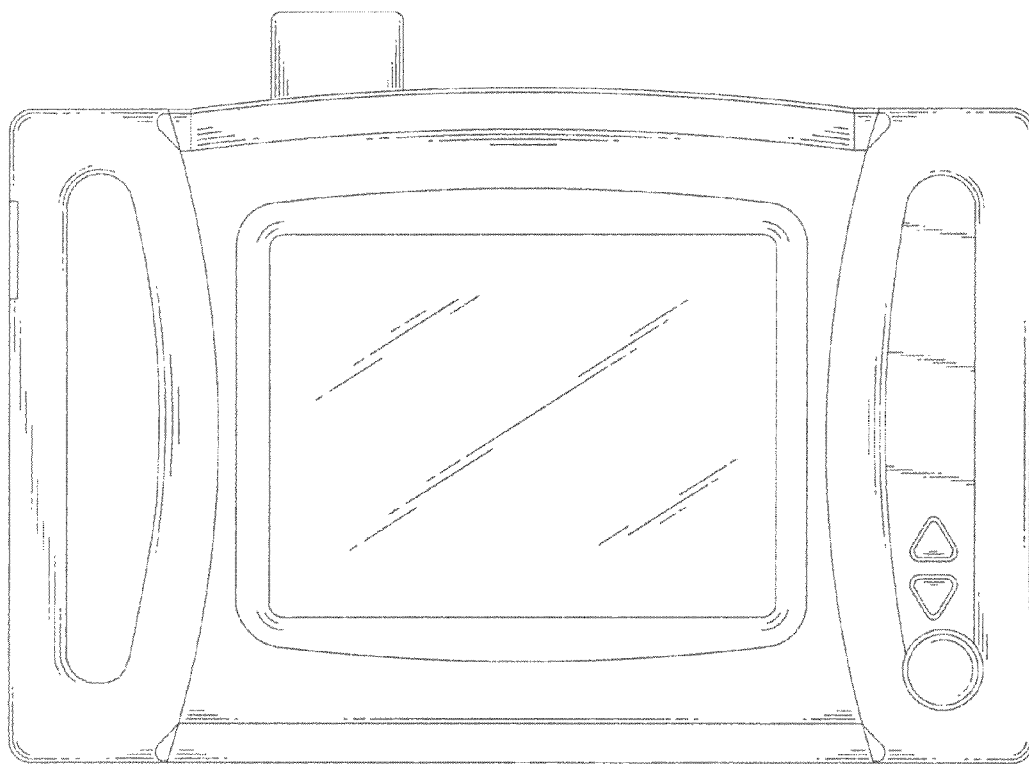


Figure 1

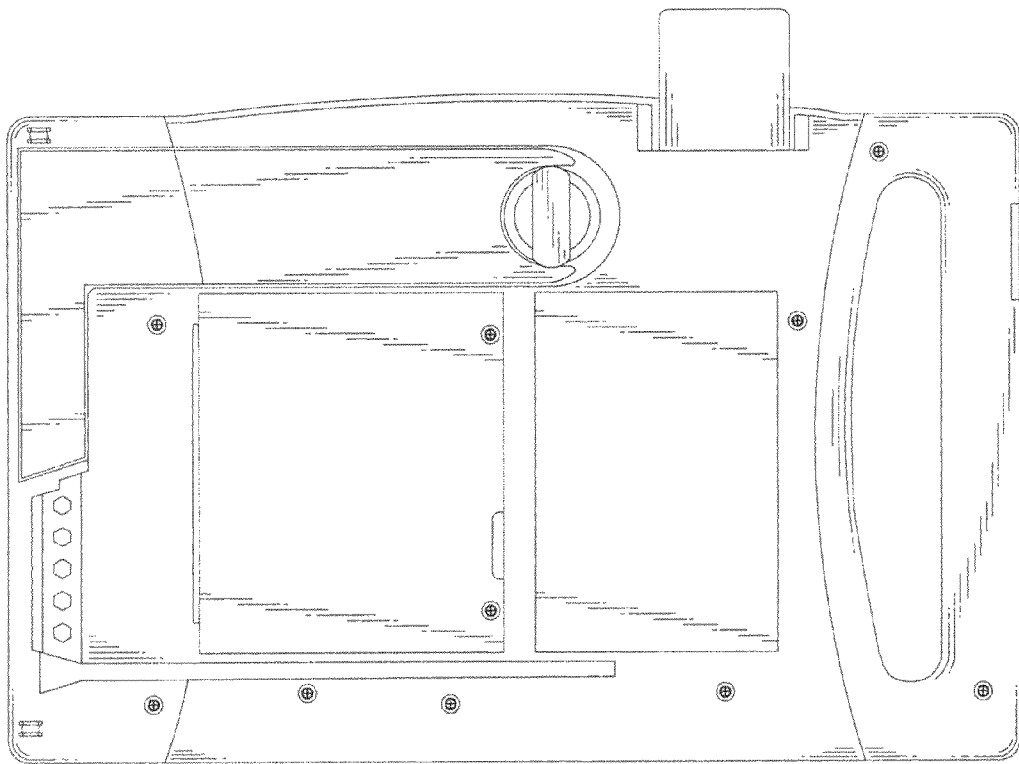


Figure 2

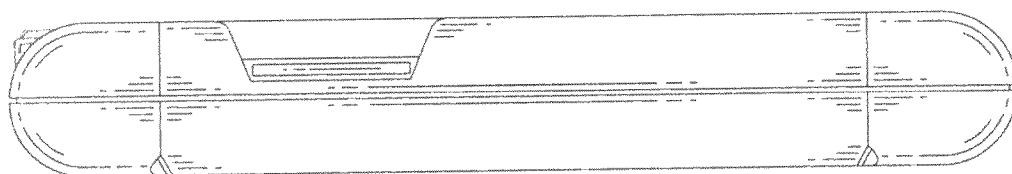


Figure 3



Figure 4

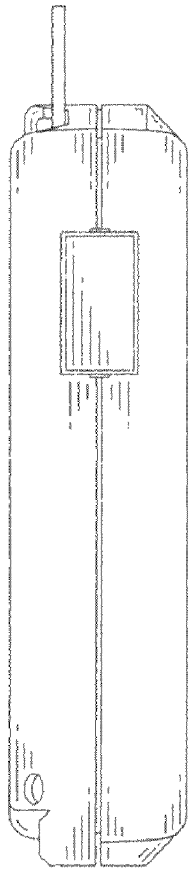


Figure 5

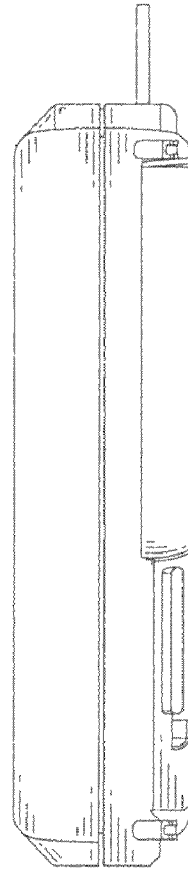


Figure 6

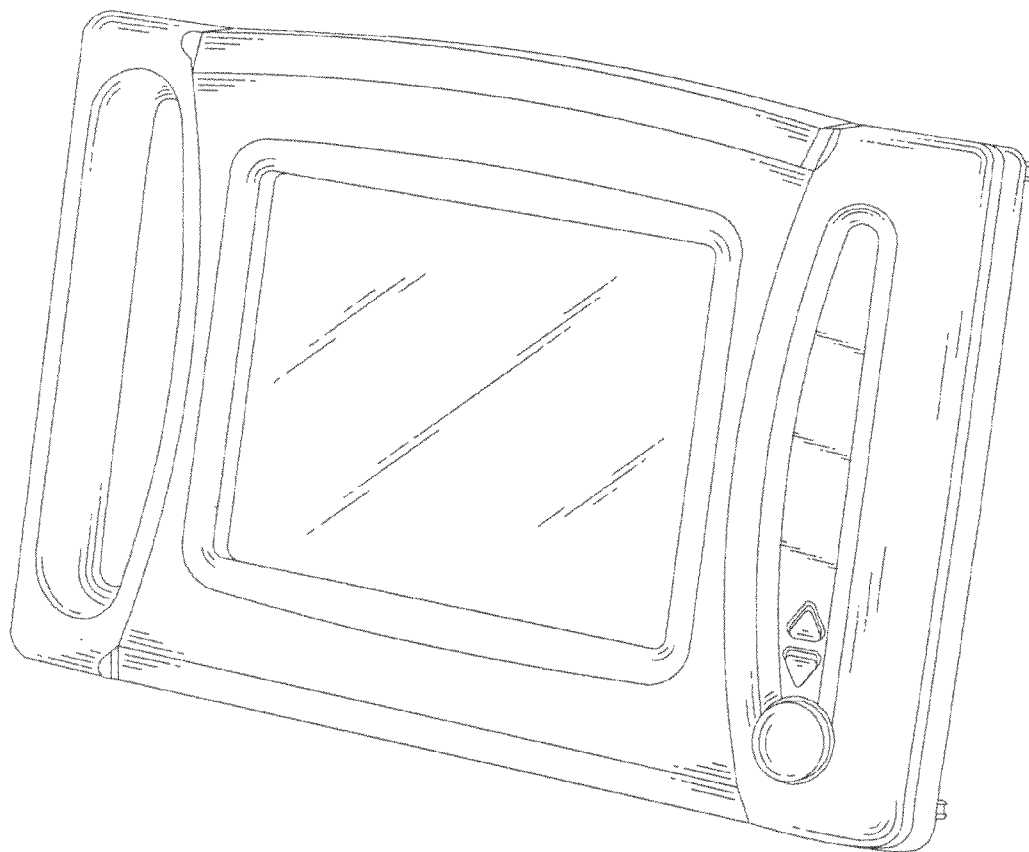


Figure 7

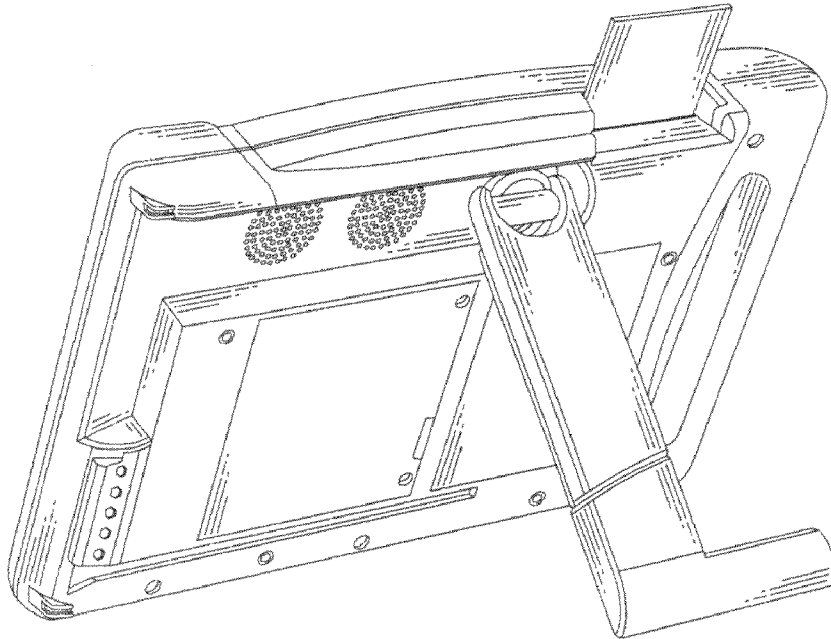


Figure 8

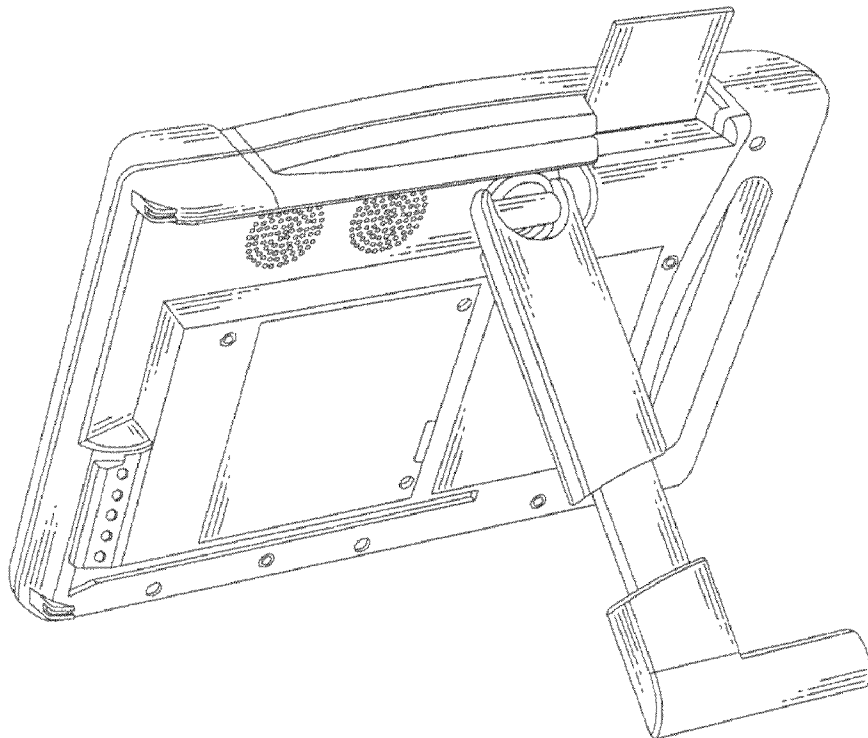


Figure 9

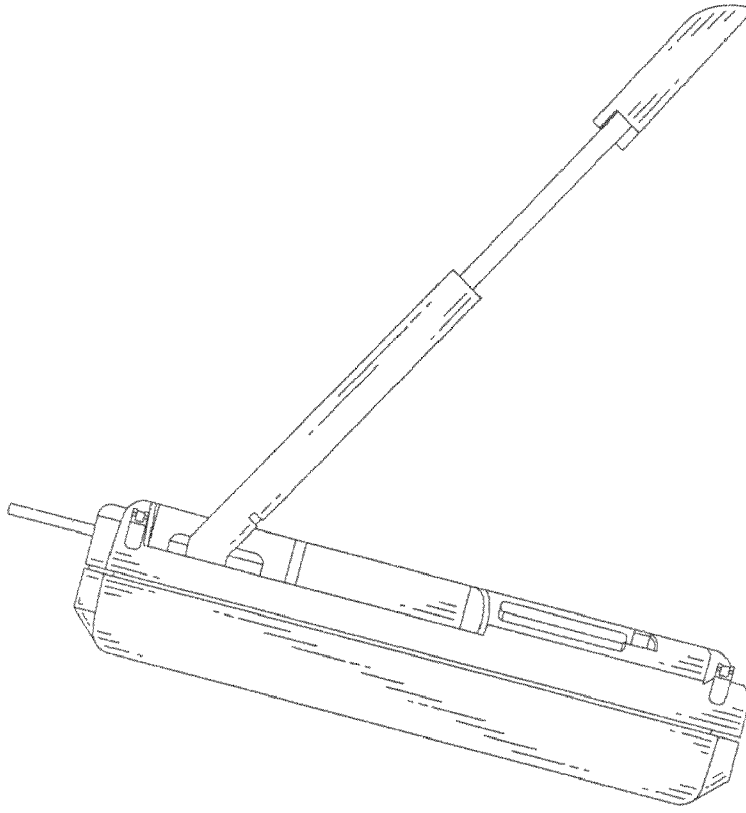


Figure 11

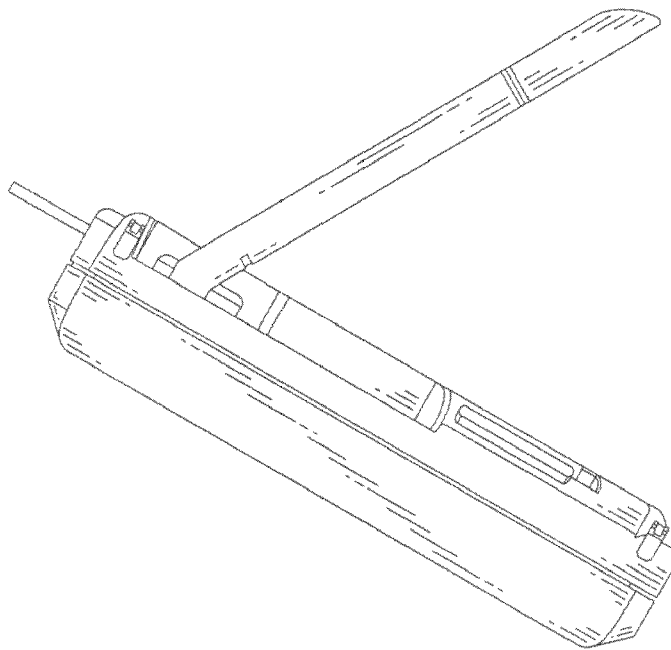


Figure 10



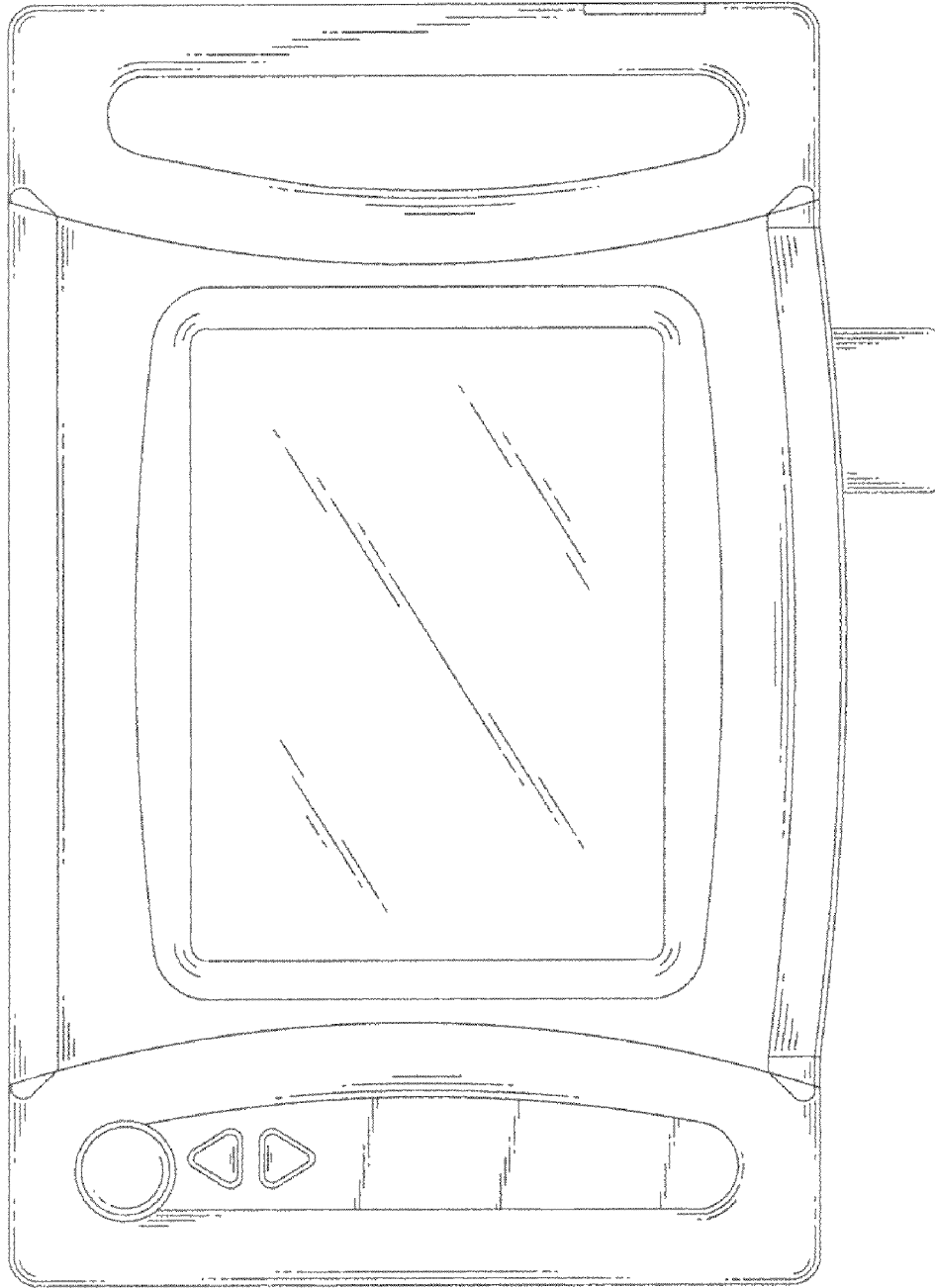


Figure 12

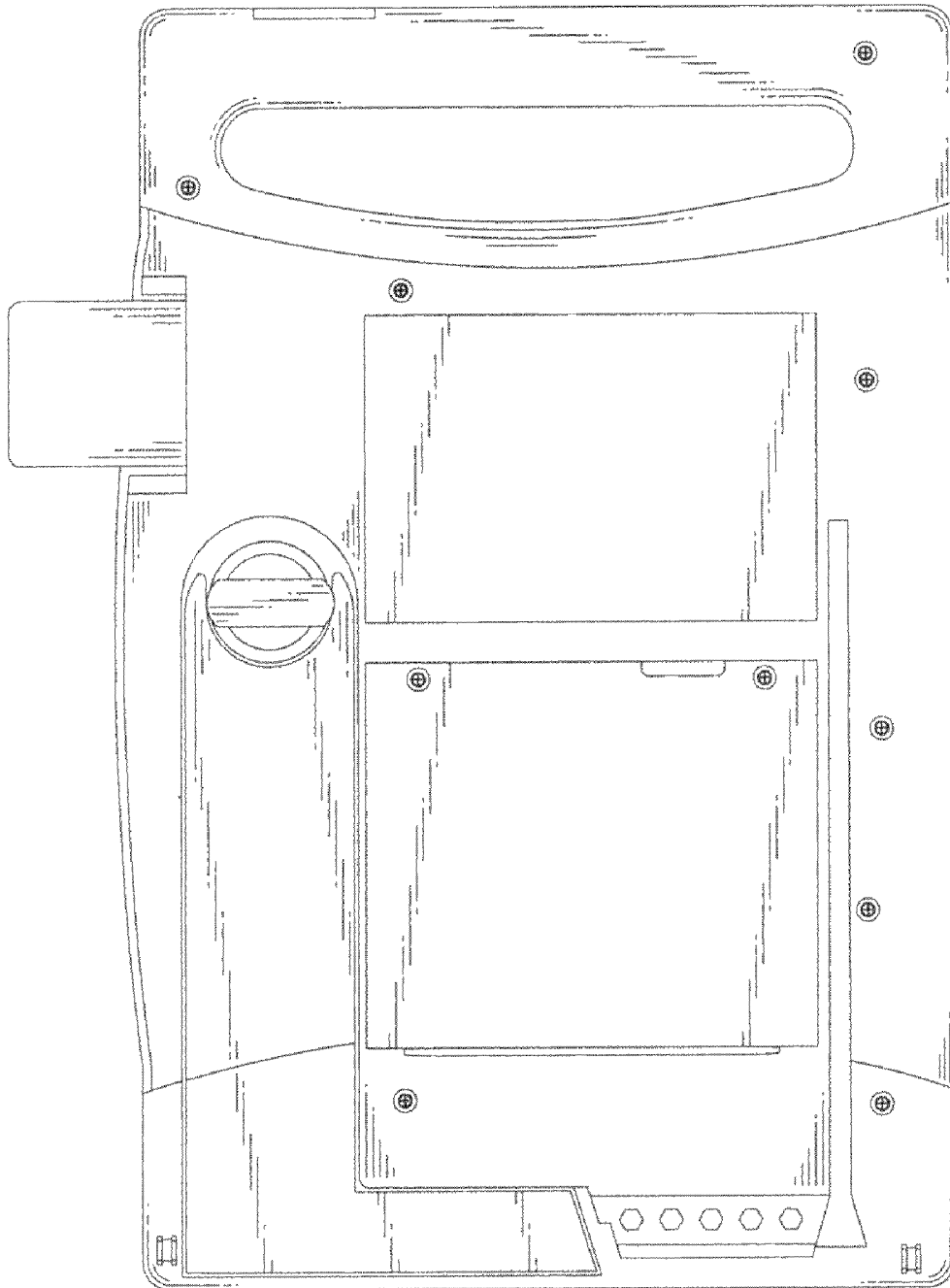


Figure 13

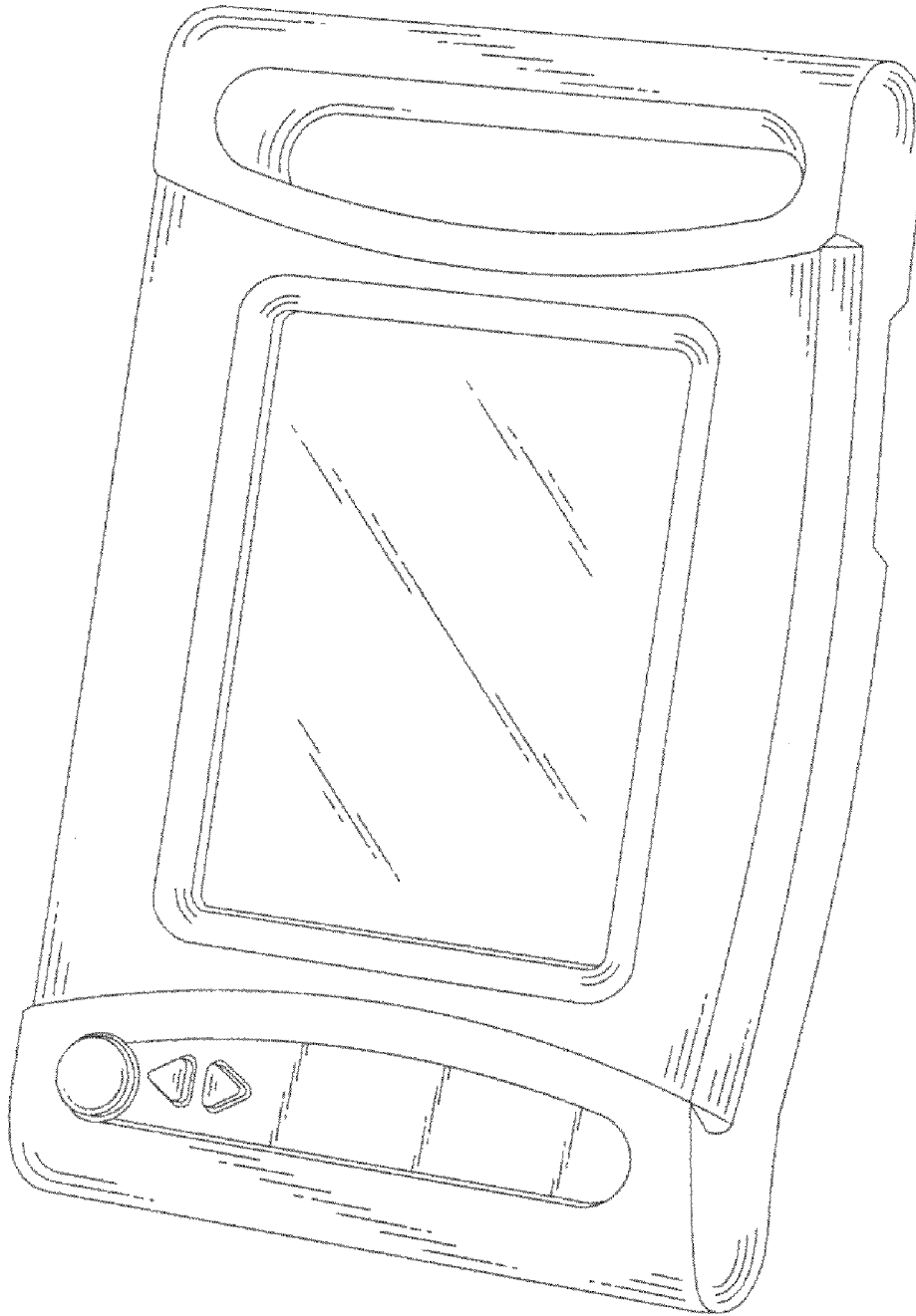


Figure 14

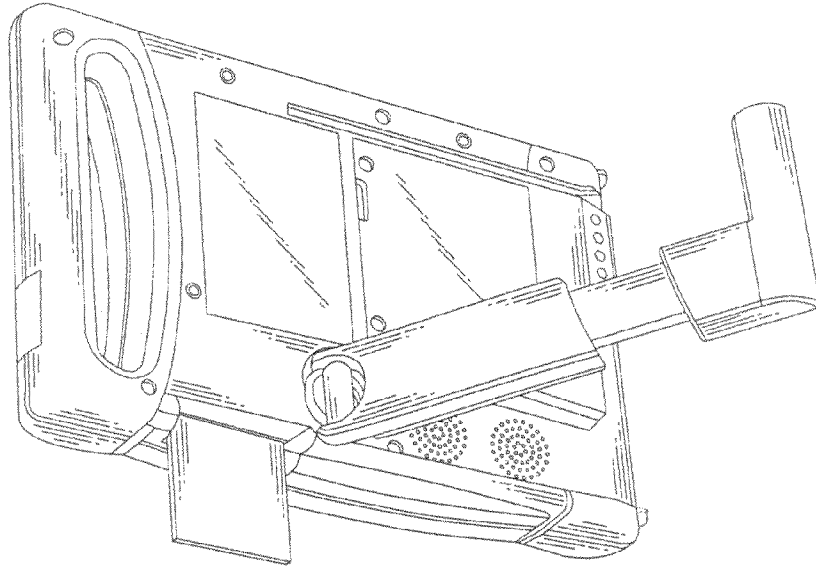


Figure 16

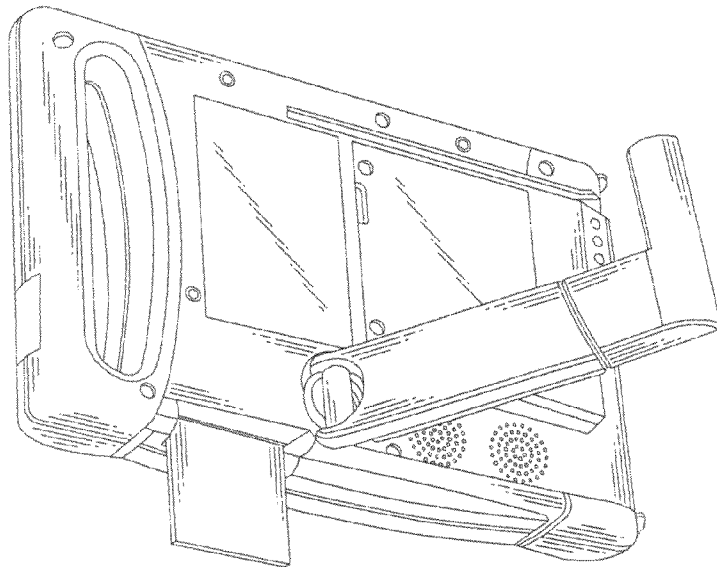


Figure 15

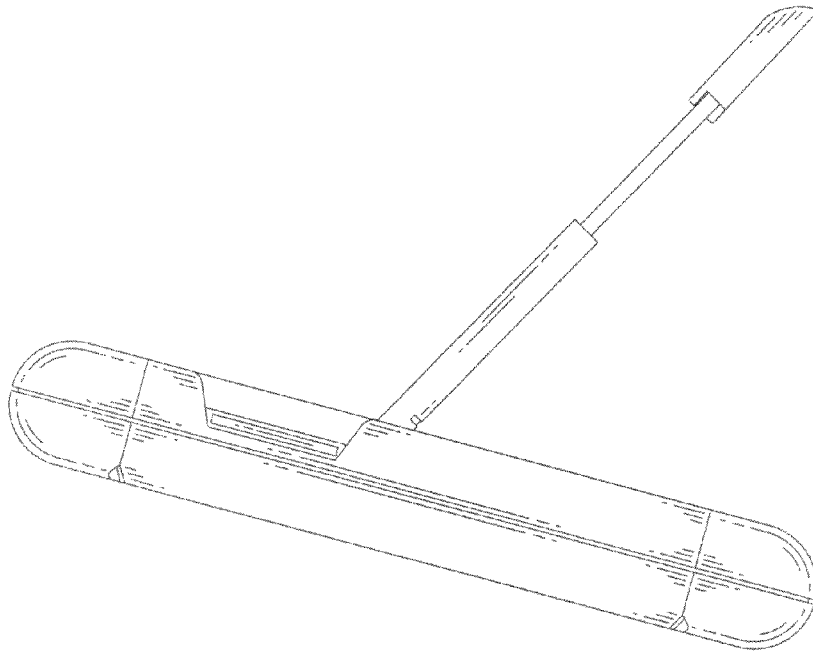


Figure 18

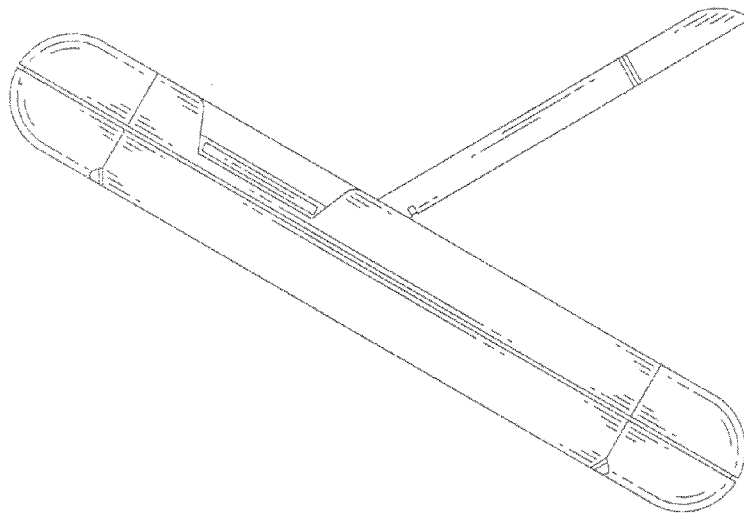


Figure 17