



US0D1007374S

(12) **United States Design Patent**
Elsner et al.

(10) **Patent No.:** **US D1,007,374 S**

(45) **Date of Patent:** **** Dec. 12, 2023**

- (54) **CAMPING TRAILER**
- (71) Applicant: **Infusion Design, Inc.**, Bonner Springs, KS (US)
- (72) Inventors: **Sean Elsner**, Bonner Springs, KS (US); **Tim Baine**, Bonner Springs, KS (US)
- (73) Assignee: **Infusion Design, Inc.**, Bonner Springs, KS (US)
- (**) Term: **15 Years**
- (21) Appl. No.: **29/831,165**
- (22) Filed: **Mar. 17, 2022**
- (51) **LOC (14) Cl.** **12-16**
- (52) **U.S. Cl.**
USPC **D12/103**
- (58) **Field of Classification Search**
USPC D12/19, 129, 100-106, 111-112;
D21/425, 435, 162; D34/21-26, 12,
D34/16-19
CPC .. B62D 35/00; B62D 33/077; B62D 33/0612;
B62D 24/04; B60P 3/10; B60P 3/1033;
B60P 3/0257; B60P 3/38; B60P 3/34;
E01F 15/14
See application file for complete search history.

D181,272 S	10/1957	Bird	
D182,606 S	4/1958	Livingston	
D183,174 S *	7/1958	Miron	D25/33
D189,719 S	2/1961	Clow	
D192,498 S	4/1962	Barton	
D199,431 S	10/1964	Johnson	
D200,571 S	3/1965	Cox	
D206,261 S	11/1966	Lawley	
D211,167 S	5/1968	Smith	
D216,387 S *	12/1969	Birchard et al.	D12/106
D220,386 S *	4/1971	Kovach	D12/312
D224,704 S	9/1972	Hill	
D225,622 S *	12/1972	Carroll	D12/104
D227,509 S	6/1973	Walker	
D236,334 S *	8/1975	Heath	D12/103
D239,440 S	4/1976	Griggs et al.	
D251,244 S	3/1979	Olmstead et al.	
D271,388 S	11/1983	Bourke	
D326,070 S	5/1992	Hollingsworth, Jr.	
D329,215 S	9/1992	Alexander et al.	
D357,649 S	4/1995	Neyer	

(Continued)

Primary Examiner — Katrina A Betton
(74) *Attorney, Agent, or Firm* — AVEK IP, LLC

(57) **CLAIM**

The ornamental design for a camping trailer, as shown and described.

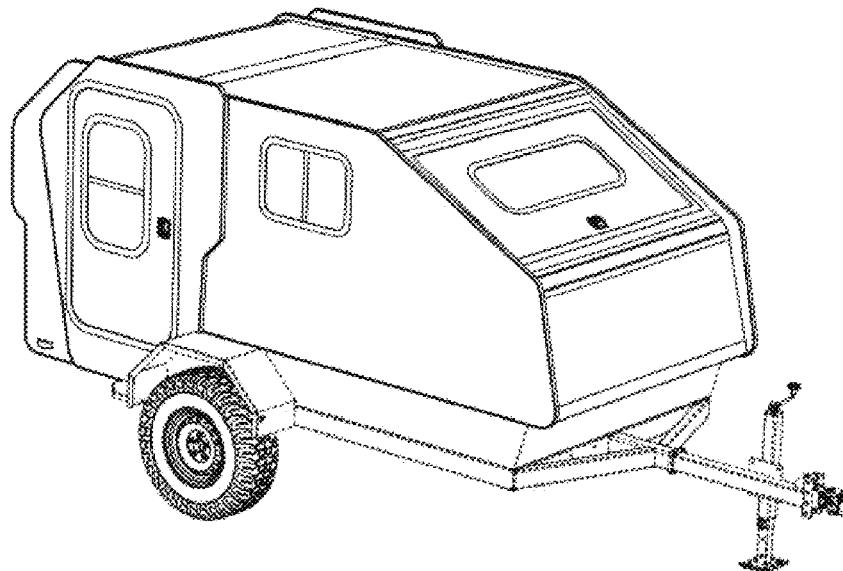
DESCRIPTION

FIG. 1 is a front end view of an ornamental design for a camping trailer;
FIG. 2 is a rear end view thereof;
FIG. 3 is a right side view thereof;
FIG. 4 is a top view thereof;
FIG. 5 is a left side view thereof;
FIG. 6 is a bottom view thereof; and,
FIG. 7 is a front perspective view thereof.
The broken lines in FIGS. 1-6 are for illustrative purposes only and form no part of the design.

1 Claim, 4 Drawing Sheets

(56) **References Cited**
U.S. PATENT DOCUMENTS

1,945,089 A *	1/1934	Small	B60P 3/32 296/168
D92,412 S *	6/1934	Lavender	D12/97
D92,956 S *	8/1934	Golden	D12/103
D93,873 S *	11/1934	Kaunitz et al.	D12/103
D97,139 S *	10/1935	McFall	D12/103
D97,140 S *	10/1935	McFall	D12/103
D132,708 S *	6/1942	Anderson	D12/100
D159,787 S *	8/1950	Dykes, Jr. et al.	D12/106
D177,086 S	3/1956	Chase	



(56)

References Cited

U.S. PATENT DOCUMENTS

D509,905 S	9/2005	Baker
D737,726 S	9/2015	Austin
D742,815 S	11/2015	Shaw
D803,102 S	11/2017	Pletcher
D868,633 S	12/2019	Krenelka et al.
D916,626 S	4/2021	Trippit et al.
D932,375 S	10/2021	Canaday
D935,942 S	11/2021	Bazinet
D947,720 S	4/2022	Egilsson et al.

* cited by examiner

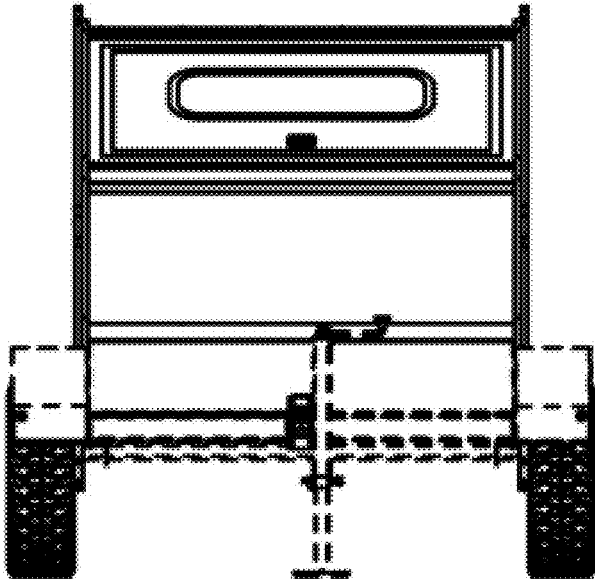


Fig. 1

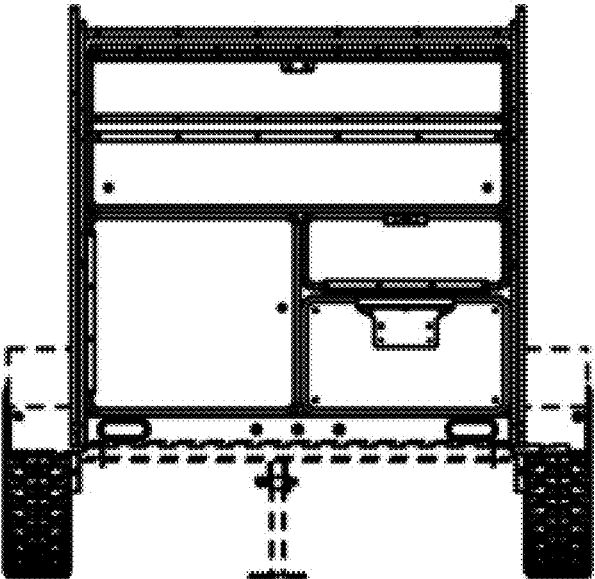


Fig. 2

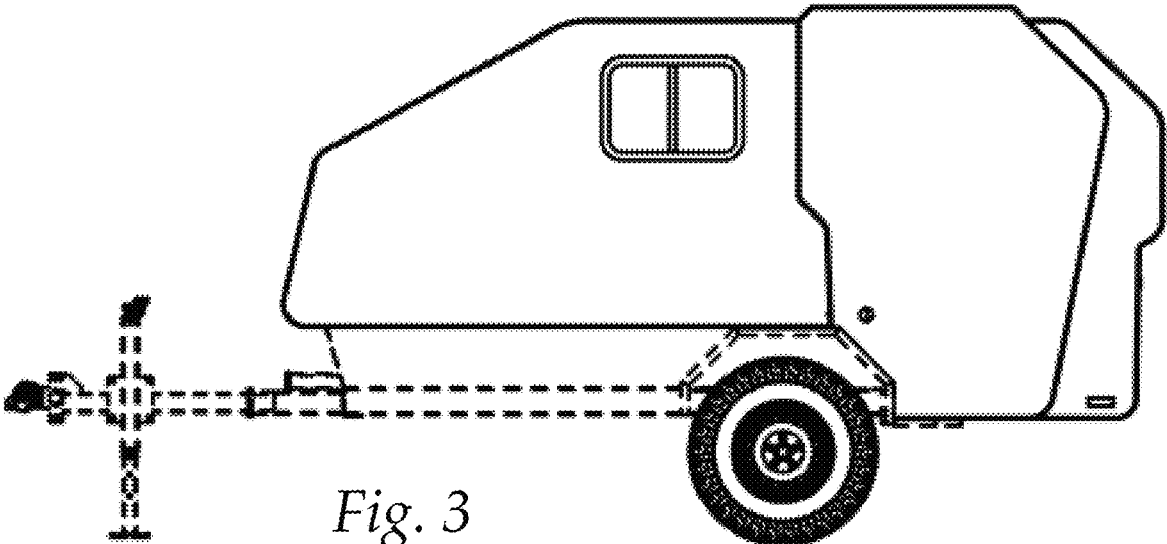


Fig. 3

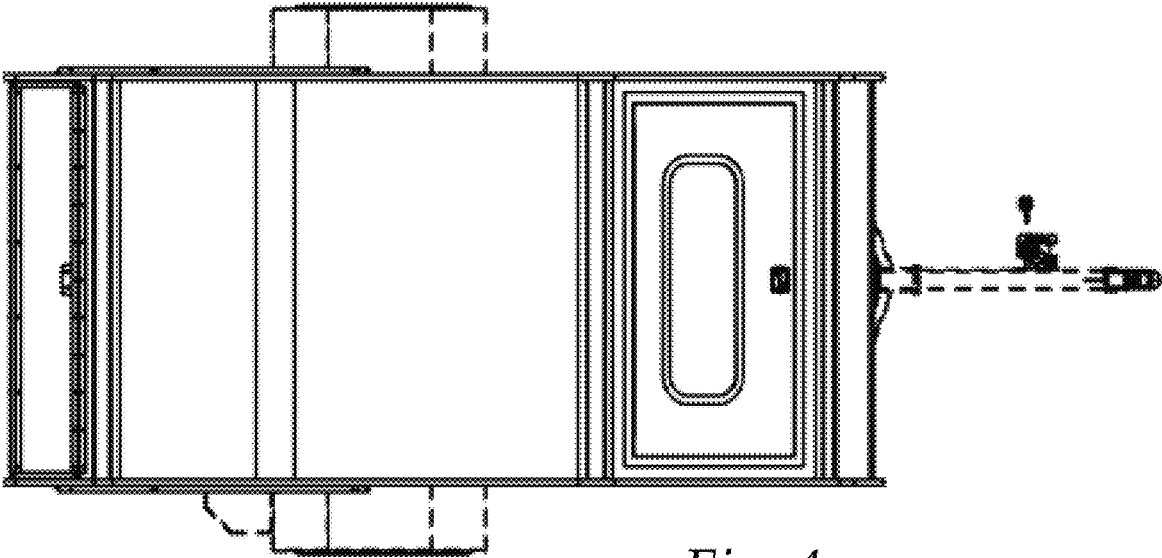


Fig. 4

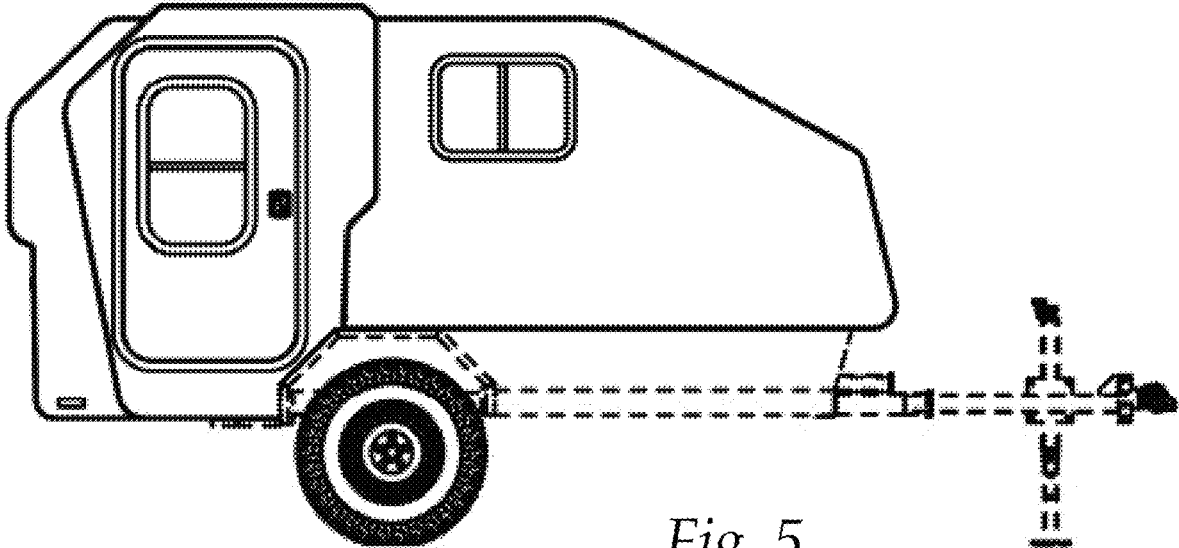


Fig. 5

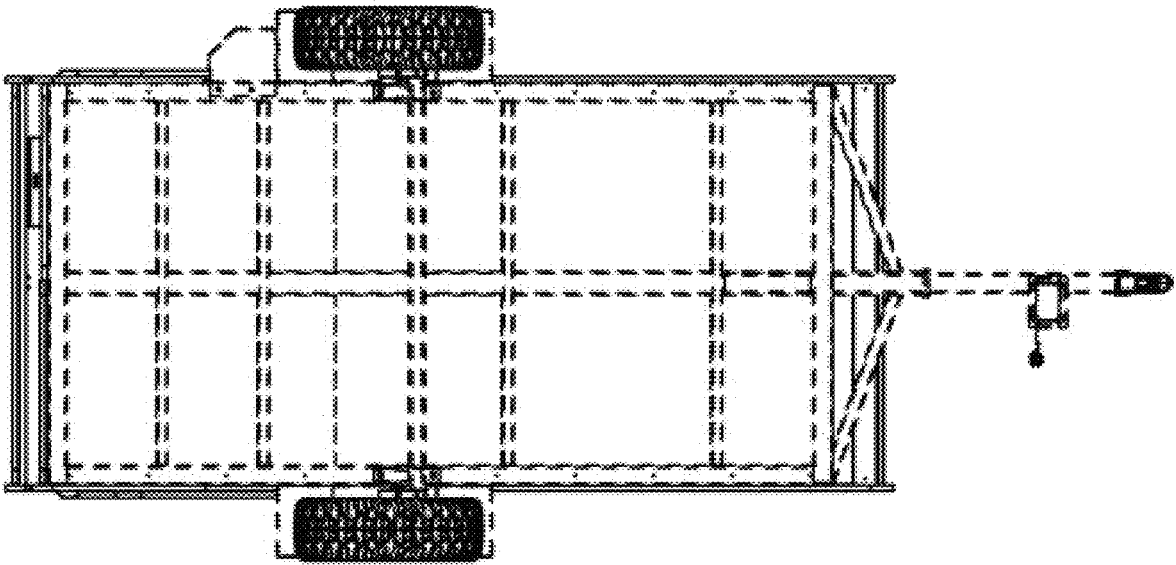


Fig. 6

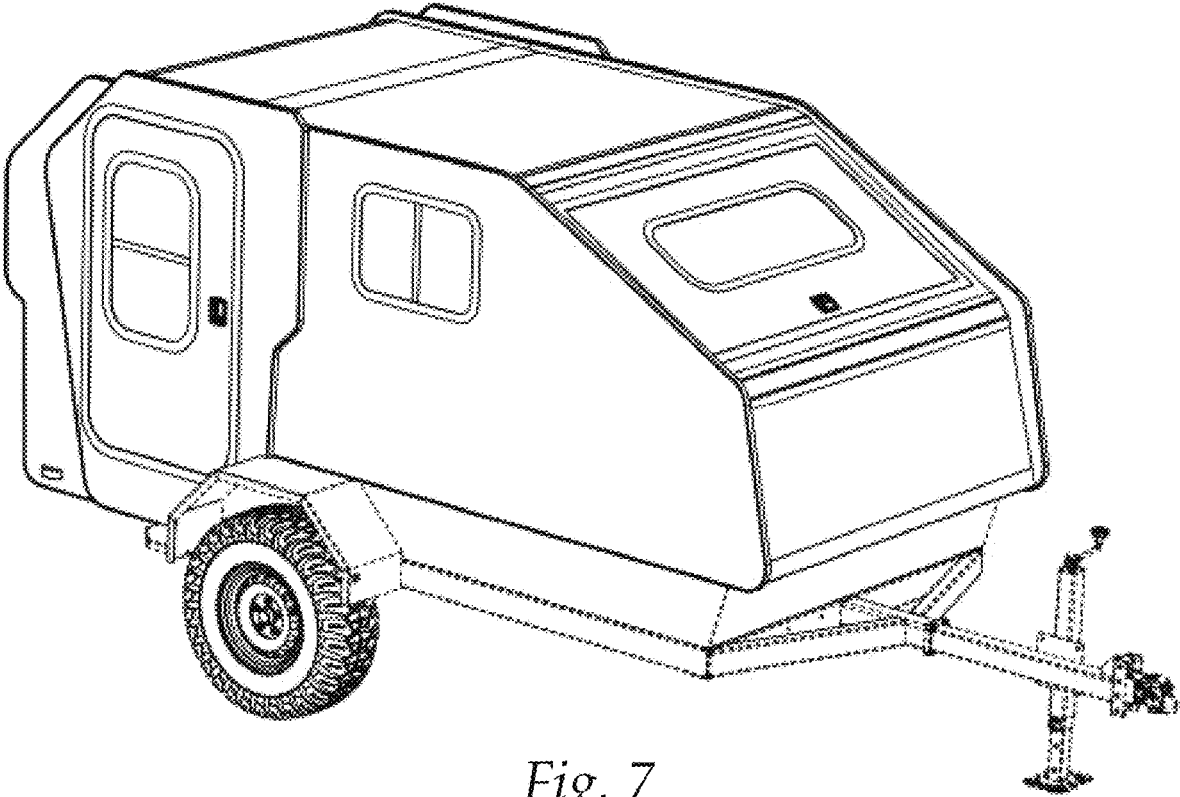


Fig. 7