



US00D723635S

(12) **United States Design Patent**
Mendelsohn

(10) **Patent No.:** **US D723,635 S**

(45) **Date of Patent:** **** Mar. 3, 2015**

(54) **WHEELCHAIR ACCESSIBLE FITNESS EQUIPMENT**

(71) Applicant: **Greenfields Outdoor Fitness, Inc.**,
Santa Ana, CA (US)

(72) Inventor: **Sam Mendelsohn**, Santa Ana, CA (US)

(73) Assignee: **Greenfields Outdoor Fitness, Inc.**,
Santa Ana, CA (US)

(**) Term: **14 Years**

(21) Appl. No.: **29/473,061**

(22) Filed: **Nov. 18, 2013**

Related U.S. Application Data

(63) Continuation of application No. 14/051,374, filed on Oct. 10, 2013.

(51) **LOC (10) Cl.** **21-02**

(52) **U.S. Cl.** **D21/662**
USPC

(58) **Field of Classification Search**

CPC .. A63B 21/062; A63B 21/154; A63B 21/156;
A63B 2208/0233; A63B 23/12; A63B
23/0494; A63B 2021/0623; A63B 21/152;
A63B 2208/0204

USPC D21/675, 676, 691, 694; 482/94, 99,
482/100

See application file for complete search history.

(56) **References Cited**

U.S. PATENT DOCUMENTS

D320,248 S * 9/1991 Moore et al. D21/675
D330,238 S * 10/1992 Desiderio D21/675
5,298,004 A * 3/1994 Davis 482/99

5,328,429	A *	7/1994	Potash et al.	482/99
5,362,290	A *	11/1994	Huang	482/100
7,101,323	B1 *	9/2006	Steffee et al.	482/100
2006/0105888	A1 *	5/2006	Piane	482/94
2007/0042878	A1 *	2/2007	Lundquist et al.	482/99
2007/0054786	A1 *	3/2007	Piane	482/94
2008/0096735	A1 *	4/2008	Grider	482/99
2008/0300116	A1 *	12/2008	Eder	482/100
2011/0028282	A1 *	2/2011	Sbragia	482/99
2012/0295772	A1 *	11/2012	Meyer	482/99
2013/0157816	A1 *	6/2013	Lyszczarz	482/99
2014/0121071	A1 *	5/2014	Strom et al.	482/99
2014/0135181	A1 *	5/2014	Smith	482/94

* cited by examiner

Primary Examiner — George D Kirschbaum

Assistant Examiner — Jennifer Watkins

(74) *Attorney, Agent, or Firm* — Eric Karich

(57) **CLAIM**

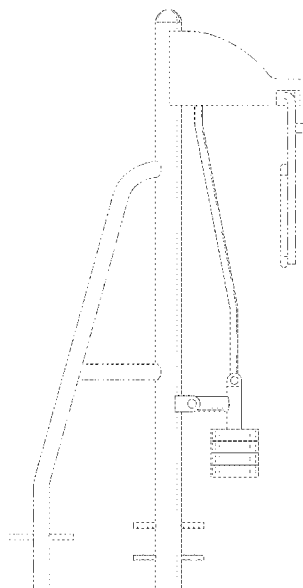
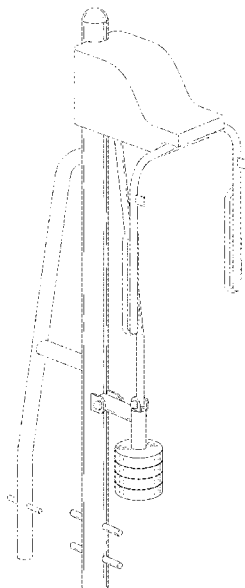
The ornamental design for a “wheelchair accessible fitness equipment,” as shown and described.

DESCRIPTION

FIG. 1 is a perspective view of a wheelchair accessible fitness equipment, showing my new design; FIG. 2 is a front elevational view thereof; FIG. 3 is a rear elevational view thereof; FIG. 4 is a left side elevational view thereof; FIG. 5 is a right side elevational view thereof; FIG. 6 is a top plan view thereof; and, FIG. 7 is a bottom plan view thereof.

The broken line showing of wheelchair accessible fitness equipment is for the purpose of illustrating portions of the article that form no part of the claimed design.

1 Claim, 5 Drawing Sheets



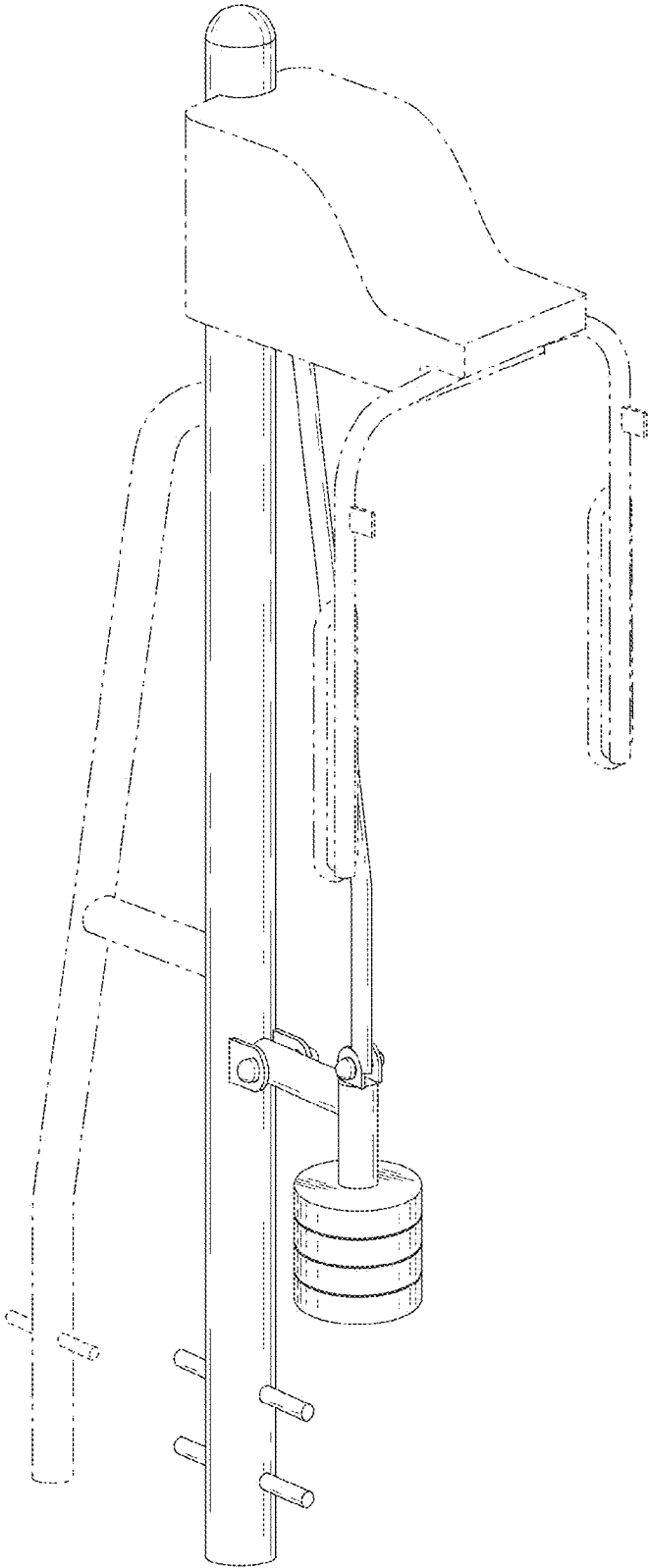


Fig. 1

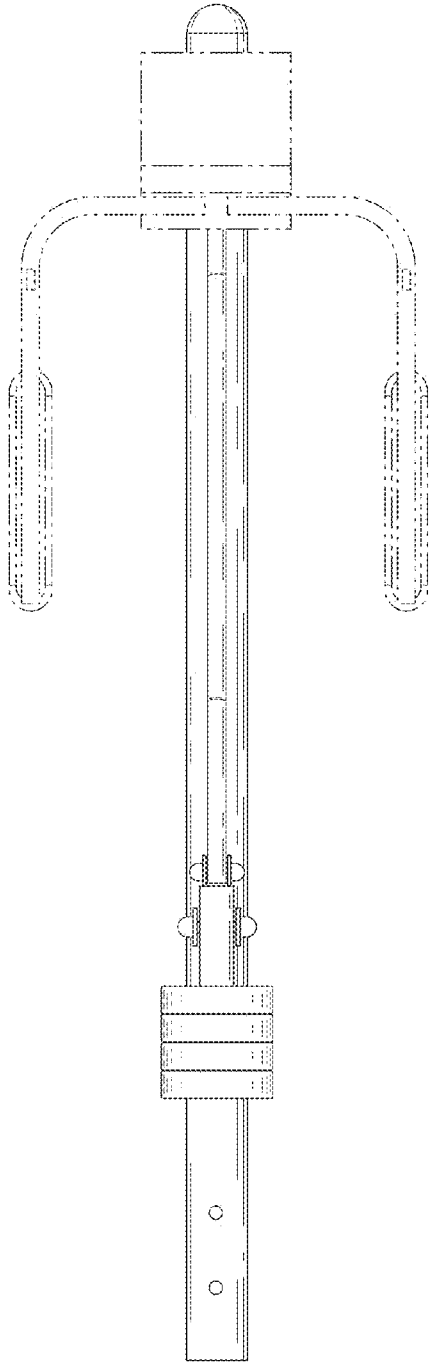


Fig. 2

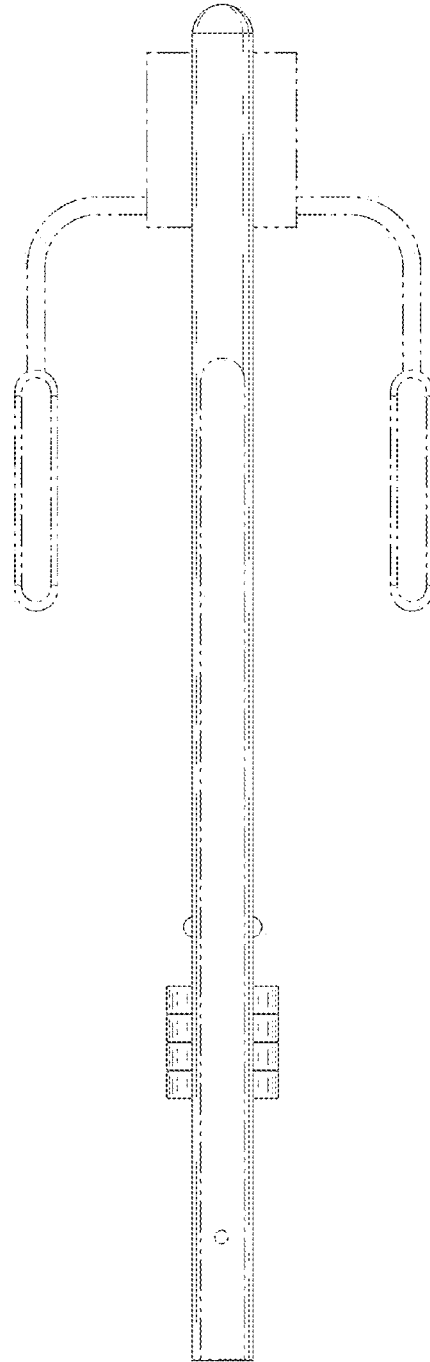


Fig. 3

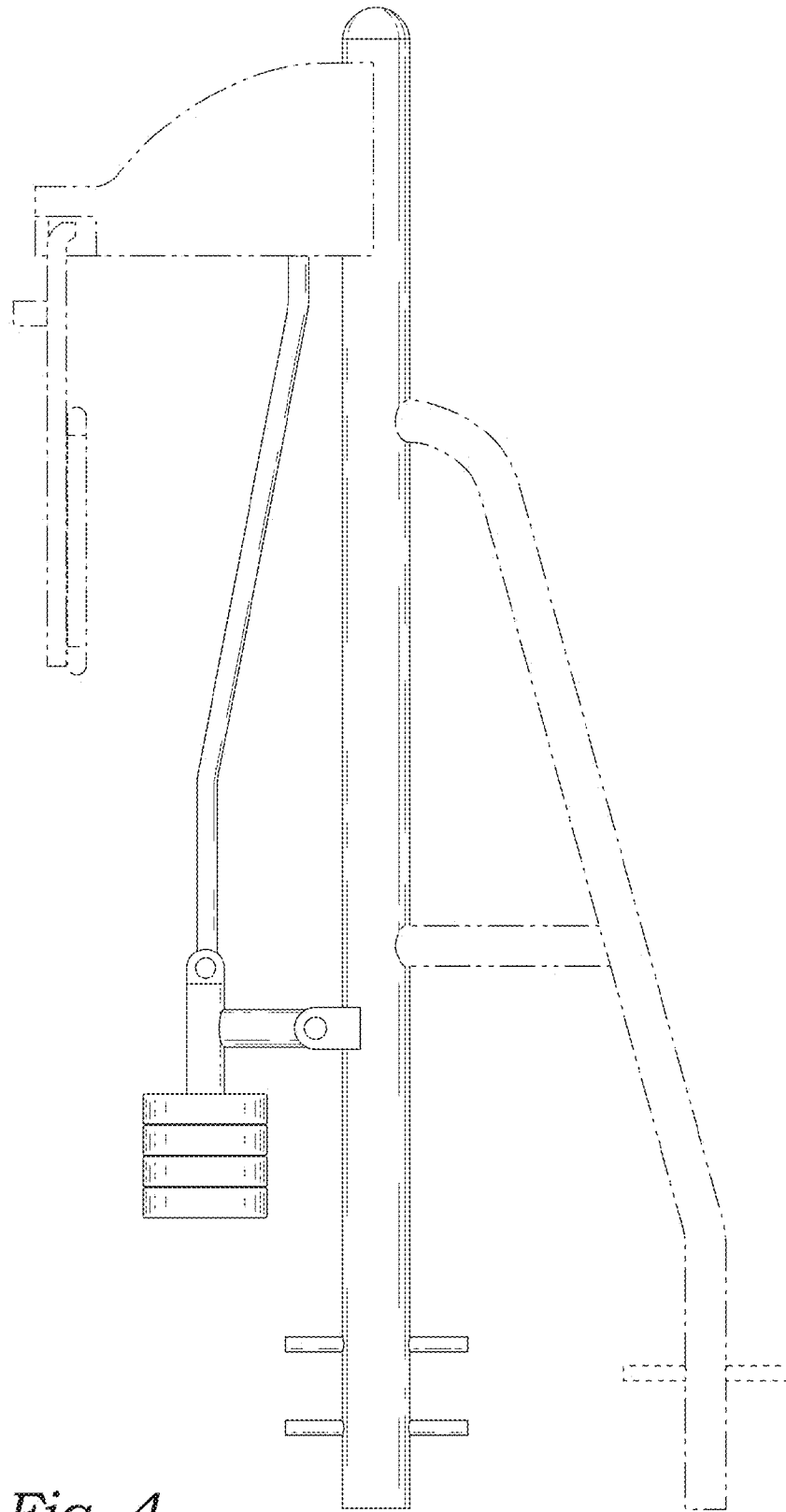


Fig. 4

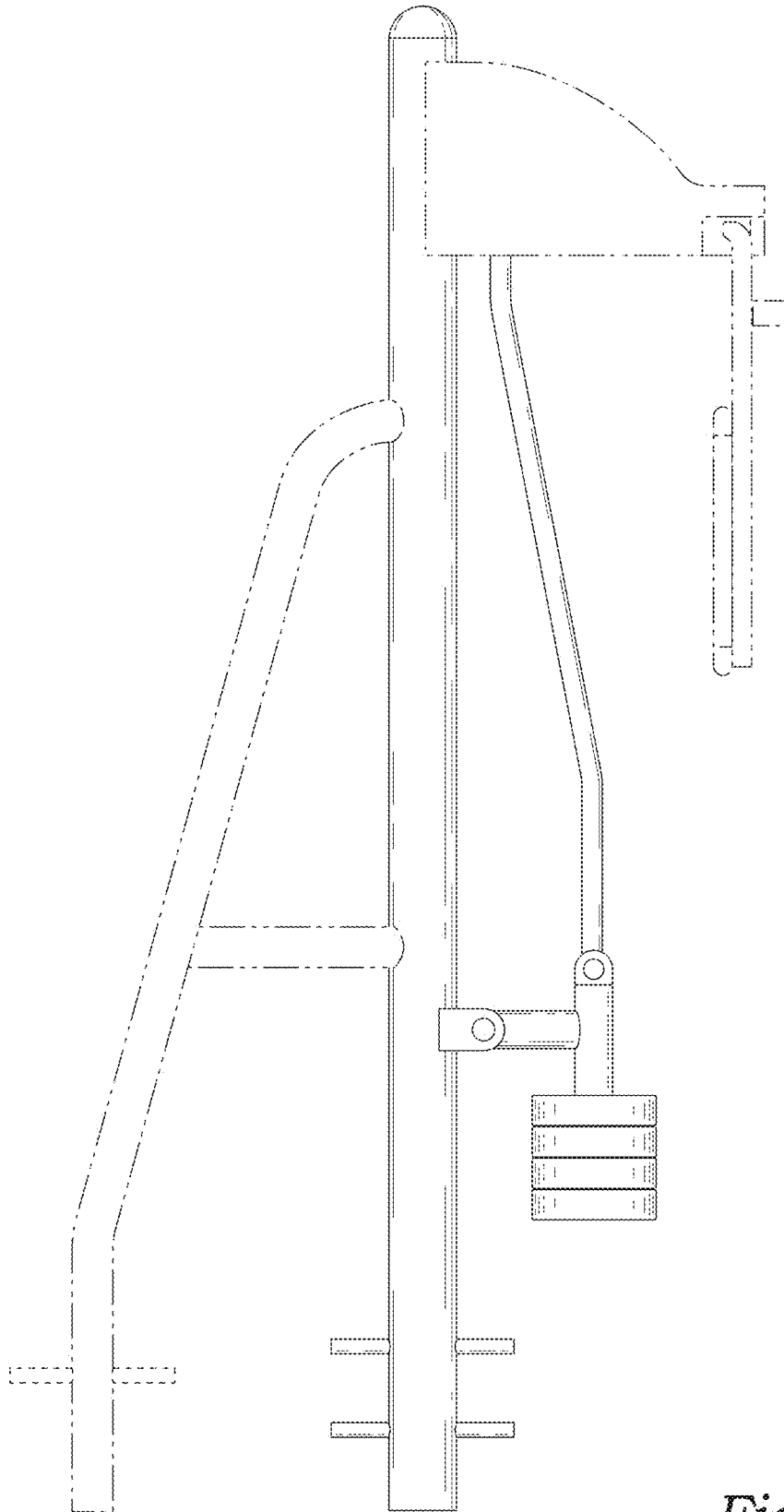


Fig. 5

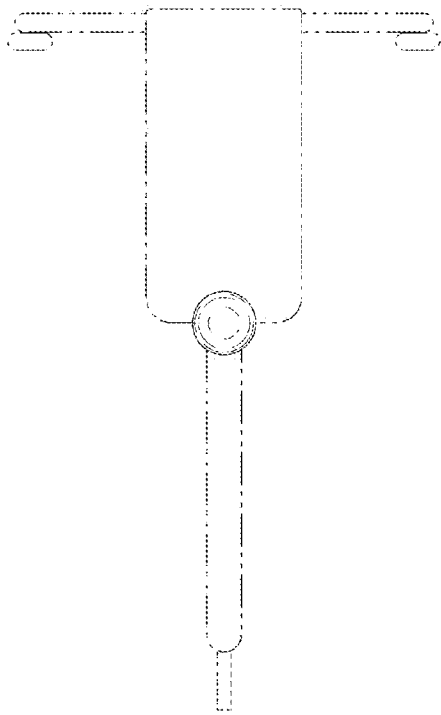


Fig. 6

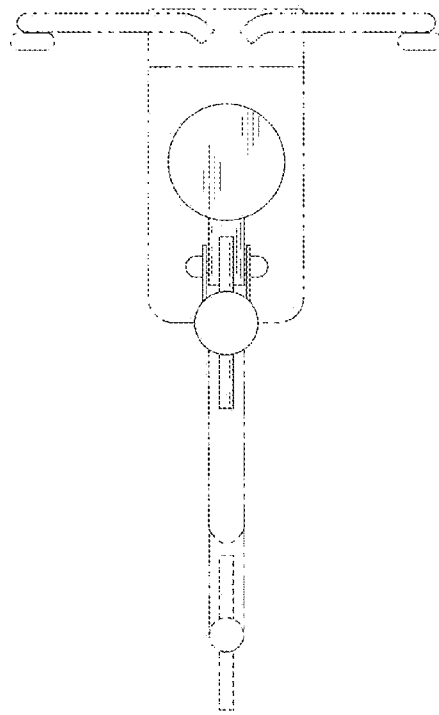


Fig. 7