

(19) World Intellectual Property  
Organization  
International Bureau



(43) International Publication Date  
4 December 2003 (04.12.2003)

PCT

(10) International Publication Number  
**WO 2003/099352 A3**

(51) International Patent Classification<sup>7</sup>: **A61M 29/00**

(21) International Application Number:  
PCT/US2003/016746

(22) International Filing Date: 28 May 2003 (28.05.2003)

(25) Filing Language: English

(26) Publication Language: English

(30) Priority Data:  
60/384,894 28 May 2002 (28.05.2002) US

(71) Applicant: ENDOBIONICS, INC. [US/US]; 3077 Teagarden Street, San Leandro, CA 94577 (US).

(72) Inventor: SEWARD, Kirk, Patrick; 5289 Gilford Court, Dublin, CA 94568 (US).

(74) Agents: HESLIN, James, M. et al.; Townsend and Townsend and Crew LLP, Two Embarcadero Center, 8th Floor, San Francisco, CA 94111-3834 (US).

(81) Designated States (national): AE, AG, AL, AM, AT, AU, AZ, BA, BB, BG, BR, BY, BZ, CA, CH, CN, CO, CR, CU,

CZ, DE, DK, DM, DZ, EC, EE, ES, FI, GB, GD, GE, GH, GM, HR, HU, ID, IL, IN, IS, JP, KE, KG, KP, KR, KZ, LC, LK, LR, LS, LT, LU, LV, MA, MD, MG, MK, MN, MW, MX, MZ, NI, NO, NZ, OM, PH, PL, PT, RO, RU, SC, SD, SE, SG, SK, SL, TJ, TM, TN, TR, TT, TZ, UA, UG, UZ, VC, VN, YU, ZA, ZM, ZW.

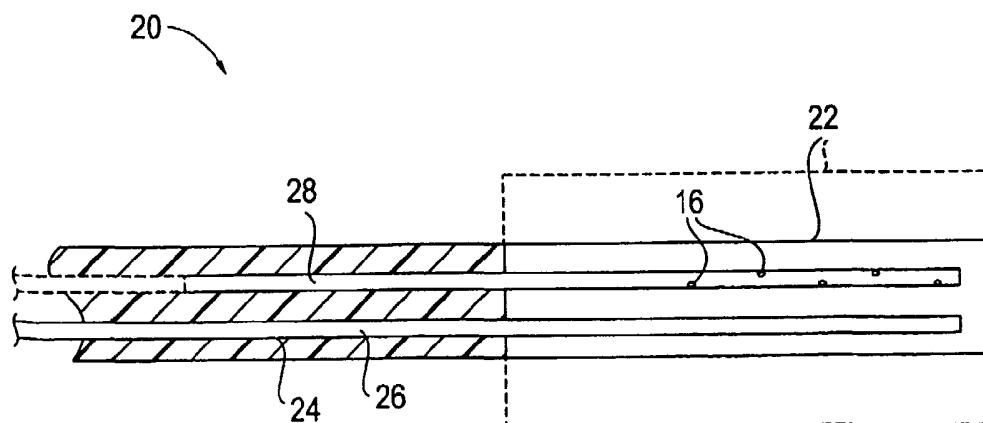
(84) Designated States (regional): ARIPO patent (GH, GM, KE, LS, MW, MZ, SD, SL, SZ, TZ, UG, ZM, ZW), Eurasian patent (AM, AZ, BY, KG, KZ, MD, RU, TJ, TM), European patent (AT, BE, BG, CH, CY, CZ, DE, DK, EE, ES, FI, FR, GB, GR, HU, IE, IT, LU, MC, NL, PT, RO, SE, SI, SK, TR), OAPI patent (BF, BJ, CF, CG, CI, CM, GA, GN, GQ, GW, ML, MR, NE, SN, TD, TG).

Published:  
— with international search report  
— before the expiration of the time limit for amending the claims and to be republished in the event of receipt of amendments

(88) Date of publication of the international search report:  
8 April 2004

For two-letter codes and other abbreviations, refer to the "Guidance Notes on Codes and Abbreviations" appearing at the beginning of each regular issue of the PCT Gazette.

(54) Title: METHODS AND APPARATUS FOR ASPIRATION AND PRIMING OF INFLATABLE STRUCTURES IN CATHETERS



(57) Abstract: An aspiration baffle (10) comprises an outer tube (12) and an inner core wire (14). Microholes (16) are provided in the outer tubular member (12) to permit passage of gas but inhibit the passage of liquids. The aspiration baffle (10) is used in a catheter (20) having a balloon (22) or other inflatable structure to assist in priming of the structure. After evacuating the inflatable structure by applying a vacuum, the aspiration baffle can collect and trap residual gas which remains during the priming of the inflatable structure.

WO 2003/099352 A3

**INTERNATIONAL SEARCH REPORT**

International application No.

PCT/US03/16746

**A. CLASSIFICATION OF SUBJECT MATTER**

IPC(7) : A61M 29/00  
 US CL : 606/194, 108; 600/364, 366

According to International Patent Classification (IPC) or to both national classification and IPC

**B. FIELDS SEARCHED**

Minimum documentation searched (classification system followed by classification symbols)  
 U.S. : 606/194, 108; 600/364, 366

Documentation searched other than minimum documentation to the extent that such documents are included in the fields searched  
 None

Electronic data base consulted during the international search (name of data base and, where practicable, search terms used)  
 EAST

**C. DOCUMENTS CONSIDERED TO BE RELEVANT**

Category *	Citation of document, with indication, where appropriate, of the relevant passages	Relevant to claim No.
X	US 4,016,863 A (Brantigan) 12 April 1977, figures 1-5 and claims	1-24

Further documents are listed in the continuation of Box C.

See patent family annex.

*	Special categories of cited documents:	"T"	later document published after the international filing date or priority date and not in conflict with the application but cited to understand the principle or theory underlying the invention
"A"	document defining the general state of the art which is not considered to be of particular relevance	"X"	document of particular relevance; the claimed invention cannot be considered novel or cannot be considered to involve an inventive step when the document is taken alone
"E"	earlier application or patent published on or after the international filing date	"Y"	document of particular relevance; the claimed invention cannot be considered to involve an inventive step when the document is combined with one or more other such documents, such combination being obvious to a person skilled in the art
"L"	document which may throw doubts on priority claim(s) or which is cited to establish the publication date of another citation or other special reason (as specified)	"&"	document member of the same patent family
"O"	document referring to an oral disclosure, use, exhibition or other means		
"P"	document published prior to the international filing date but later than the priority date claimed		

Date of the actual completion of the international search

20 October 2003 (20.10.2003)

Date of mailing of the international search report

**11 FEB 2004**

Name and mailing address of the ISA/US

Mail Stop PCT, Attn: ISA/US  
 Commissioner for Patents  
 P.O. Box 1450  
 Alexandria, Virginia 22313-1450

Facsimile No. (703)305-3230

Authorized officer

(Jackie) Tan-Uyen-T. Ho

Telephone No. (703) 308-0858