



- (51) International Patent Classification:
G06F 9/06 (2006.01) G06F 12/08 (2006.01)
G06F 9/44 (2006.01)
- (21) International Application Number:
PCT/US2012/039189
- (22) International Filing Date:
23 May 2012 (23.05.2012)
- (25) Filing Language: English
- (26) Publication Language: English
- (30) Priority Data:
61/489,230 23 May 2011 (23.05.2011) US
13/192,365 27 July 2011 (27.07.2011) US
- (71) Applicant (for all designated States except US): **IO TURBINE LLC** [US/US]; 2855 East Cottonwood Parkway, Suite 100, Salt Lake City, Utah 84121 (US).
- (72) Inventors; and
- (75) Inventors/Applicants (for US only): **JOSHI, Vikram** [US/US]; 3031 Tisch Way, Suite 450, San Jose, California 95128 (US). **LUAN, Yang** [CN/US]; 3031 Tisch Way, Suite 450, San Jose, California 95128 (US). **APTE, Manish R.** [IN/US]; 3031 Tisch Way, Suite 450, San Jose,

California 95128 (US). **VIDWANS, Hrishikesh A.** [IN/US]; 3031 Tisch Way, Suite 450, San Jose, California 95128 (US). **BROWN, Michael F.** [US/US]; 3031 Tisch Way, Suite 450, San Jose, California 95128 (US).

- (74) Agent: **HAWKINS, Joseph J.**; STOEL RIVES LLP, 201 S. Main Street, Suite 1100, Salt Lake City, Utah 84111 (US).
- (81) Designated States (unless otherwise indicated, for every kind of national protection available): AE, AG, AL, AM, AO, AT, AU, AZ, BA, BB, BG, BH, BR, BW, BY, BZ, CA, CH, CL, CN, CO, CR, CU, CZ, DE, DK, DM, DO, DZ, EC, EE, EG, ES, FI, GB, GD, GE, GH, GM, GT, HN, HR, HU, ID, IL, IN, IS, JP, KE, KG, KM, KN, KP, KR, KZ, LA, LC, LK, LR, LS, LT, LU, LY, MA, MD, ME, MG, MK, MN, MW, MX, MY, MZ, NA, NG, NI, NO, NZ, OM, PE, PG, PH, PL, PT, QA, RO, RS, RU, RW, SC, SD, SE, SG, SK, SL, SM, ST, SV, SY, TH, TJ, TM, TN, TR, TT, TZ, UA, UG, US, UZ, VC, VN, ZA, ZM, ZW.
- (84) Designated States (unless otherwise indicated, for every kind of regional protection available): ARIPO (BW, GH, GM, KE, LR, LS, MW, MZ, NA, RW, SD, SL, SZ, TZ, UG, ZM, ZW), Eurasian (AM, AZ, BY, KG, KZ, RU, TJ, TM), European (AL, AT, BE, BG, CH, CY, CZ, DE, DK,

[Continued on next page]

(54) Title: MANAGING DATA INPUT/OUTPUT OPERATIONS

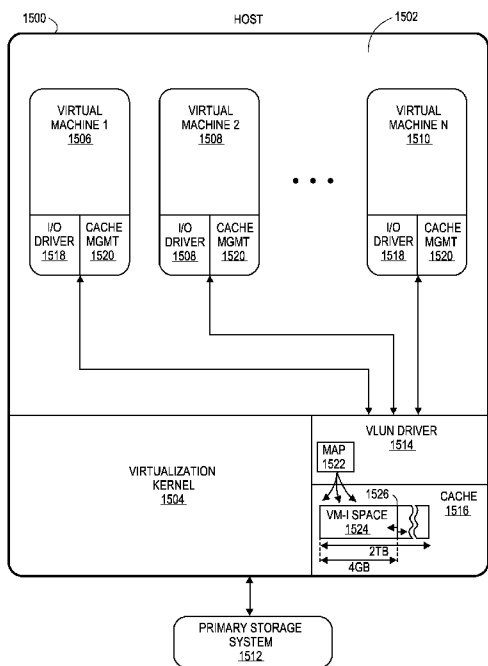


FIG. 15

(57) Abstract: Systems and methods for managing data input/output operations are described that include virtual machines operating with a shared storage within a host. In such a system, a computer-implemented method is provided for dynamically provisioning cache storage while operating system applications continue to operate, including stalling the virtual machine's local cache storage operations, changing the provision of cache storage size; and resuming the operations of the virtual machine.

WO 2012/162420 A3

EE, ES, FI, FR, GB, GR, HR, HU, IE, IS, IT, LT, LU,
LV, MC, MK, MT, NL, NO, PL, PT, RO, RS, SE, SI, SK,
SM, TR), OAPI (BF, BJ, CF, CG, CI, CM, GA, GN, GQ,
GW, ML, MR, NE, SN, TD, TG).

Published:

— *with international search report (Art. 21(3))*

(88) Date of publication of the international search report:
28 March 2013

A. CLASSIFICATION OF SUBJECT MATTER**G06F 9/06(2006.01)i, G06F 9/44(2006.01)i, G06F 12/08(2006.01)i**

According to International Patent Classification (IPC) or to both national classification and IPC

B. FIELDS SEARCHED

Minimum documentation searched (classification system followed by classification symbols)

G06F 9/06; G06F 3/00; G06F 12/00; G06F 9/455; G06F 9/00; G06F 13/00; G06F 12/08

Documentation searched other than minimum documentation to the extent that such documents are included in the fields searched

Korean utility models and applications for utility models

Japanese utility models and applications for utility models

Electronic data base consulted during the international search (name of data base and, where practicable, search terms used)

eKOMPASS(KIPO internal) & Keywords:virtual machine, cache, allocate, shared memory;

C. DOCUMENTS CONSIDERED TO BE RELEVANT

Category*	Citation of document, with indication, where appropriate, of the relevant passages	Relevant to claim No.
A	US 2009-0248922 A1 (HINOHARA HISASHI et al.) 01 October 2009 See abstract, paragraphs [0064]-[0066], claim 1, and figure 3.	1-20
A	US 2010-0217916 A1 (GAO ZHI GUO et al.) 26 August 2010 See abstract, paragraphs [0038]-[0039], claim 1, and figures 1-3, 7.	1-20
A	WO 2004-061645 A2 (INTEL CORPORATION) 22 July 2004 See abstract, page 21, claim 1, and figures 1, 2, 5.	1-20
A	US 2007-0050548 A1 (NAVEEN BALI et al.) 01 March 2007 See paragraphs [0020], [0141]-[0145].	1-20

 Further documents are listed in the continuation of Box C. See patent family annex.

* Special categories of cited documents:

"A" document defining the general state of the art which is not considered to be of particular relevance

"E" earlier application or patent but published on or after the international filing date

"L" document which may throw doubts on priority claim(s) or which is cited to establish the publication date of citation or other special reason (as specified)

"O" document referring to an oral disclosure, use, exhibition or other means

"P" document published prior to the international filing date but later than the priority date claimed

"T" later document published after the international filing date or priority date and not in conflict with the application but cited to understand the principle or theory underlying the invention

"X" document of particular relevance; the claimed invention cannot be considered novel or cannot be considered to involve an inventive step when the document is taken alone

"Y" document of particular relevance; the claimed invention cannot be considered to involve an inventive step when the document is combined with one or more other such documents, such combination being obvious to a person skilled in the art

"&" document member of the same patent family

Date of the actual completion of the international search

26 DECEMBER 2012 (26.12.2012)

Date of mailing of the international search report

27 DECEMBER 2012 (27.12.2012)

Name and mailing address of the ISA/KR

Korean Intellectual Property Office
189 Cheongsu-ro, Seo-gu, Daejeon Metropolitan
City, 302-701, Republic of Korea

Facsimile No. 82-42-472-7140

Authorized officer

BOK, Jin Yo

Telephone No. 82-42-481-5113



INTERNATIONAL SEARCH REPORT

Information on patent family members

International application No.

PCT/US2012/039189

Patent document cited in search report	Publication date	Patent family member(s)	Publication date
US 2009-0248922 A1	01.10.2009	JP 05-040773 B2 JP 2009-245047 A US 8190795 B2	20.07.2012 22.10.2009 29.05.2012
US 2010-0217916 A1	26.08.2010	CN 101819564 A	01.09.2010
WO 2004-061645 A2	22.07.2004	AU 2003-290857 A1 AU 2003-290857 A8 CN 100504789 C CN 1833225 A0 DE 10393920 B4 DE 10393920 T5 JP 04-981006 B2 JP 2006-516769 A JP 2006-516769 T JP 2009-054169 A KR 10-0847613 B1 KR 2005-0085699 A TW 273493 B US 2004-0117539 A1 US 7318141 B2 WO 2004-061645 A3	29.07.2004 29.07.2004 24.06.2009 13.09.2006 19.02.2009 29.12.2005 27.04.2012 06.07.2006 06.07.2006 12.03.2009 21.07.2008 29.08.2005 11.02.2007 17.06.2004 08.01.2008 22.07.2004
US 2007-0050548 A1	01.03.2007	US 2008-294846 A1 US 7424577 B2	27.11.2008 09.09.2008