

- [54] COMBINED CORDLESS ELECTRIC DRILL, HOLSTER AND CHARGING BASE THEREFOR
[75] Inventors: Lawrence E. House, II; Robert I. Somers, both of Raleigh, N.C.
[73] Assignee: Black & Decker, Inc., Newark, Del.
[**] Term: 14 Years
[21] Appl. No.: 789,125
[22] Filed: Nov. 25, 1985

Related U.S. Application Data

- [62] Division of Ser. No. 646,138, Aug. 31, 1984.
[52] U.S. Cl. D8/68
[58] Field of Search D8/61-69, D8/70; 81/54, 57.11; 173/163, 170; 408/124

[56] **References Cited**

U.S. PATENT DOCUMENTS

D. 203,413	1/1966	Rawson et al.	D8/68
D. 225,300	12/1972	Boldt	D8/68
2,450,380	9/1948	Perham	173/170
2,966,138	12/1960	Quackenbush	173/163
3,173,417	3/1965	Hornor	408/124 X
4,251,120	2/1981	Wolff	408/124 X

OTHER PUBLICATIONS

Black & Decker Catalog 302, Jul.-Dec. 1977, cover (back and front) and p. 11 showing two speed $\frac{1}{2}$ " Hammer Drill. (Catalog No. 7926).
Sears Catalog of Power and Hand Tools, 1979-80, cover (back and front) and pp. 60 and 61 showing drills with pistol grip side handles.
Shopcraft brochure entitled "Benchtop and Portable Power Tools", copyright 1981, Cover (back and front) and unnumbered page showing drills with pistol grip, side handles and identified as Ser. Nos. T3250 20 T3150 20.
Skil Consumer Products Catalog, CP-511, date approximately 1981, cover and pp. 6 and 7 showing cordless, side handle drills, Cat. Nos. 2002, 2003, 2006 and 2007.
Shopmate Power Tool Catalog No. 109-72C, date unknown, Cover (back and front, pp. 7 and 8 showing drills with pistol grip side handles.
Appliance Manufacturer, Sep. 1963, p. 81 showing side handle drill manufactured by Thor Power Tool Company.

Thor Brochure, date unknown, showing side handle drill.
Silvo Hardware Company, 1984, Cover and p. 8 showing Mighty Midget End Handle Drill.
Silvo Hardware Company Catalog, 1984, Cover and p. 20 showing Rockwell side handle drill in upper right hand corner of page.
Wen Dealer Catalog CA-1080, Cover, p. 4 showing side handle drills Model Nos. PR81 and PR70.
Skil Power Tool Catalog, date of publication unknown, cover and p. 22 showing cordless screwdriver.
Black & Decker Air Tools Catalog No. AT-1 (6/72) cover (back and front) and p. 14 showing air drills Cat. Nos. 1487, 1488 and 1490).
Black & Decker Power Tool Accessories Catalog, Form No. 369, 1984, Cover (back/front) and p. 32 showing Cat. Nos. 69600 Belt Clip, 69590 Holster and 98004 Holster.
Black & Decker Power Tools Catalog, Form No. 368, 1984, cover (back/front) and p. 29 showing screwdrivers with belt clips, Catalog Nos. 2034-10 and 2032-10.
Makita Power Tools Catalog, 1982-A, publication date unknown, cover & p. 36 showing drills with belt clips, Model Nos. 6500PB, DP 3720, 6510PB.
Black & Decker 1982-83 Consumer Catalog, Form 353-6-I-82, 1982, cover (back/front) pp. 95,96, Model 9360 and 9330.
Black & Decker Household Products Catalog, 1984-85, Form No. 370, 1984 cover (back/front) and pp. 9,11 Model 9365, 9366.

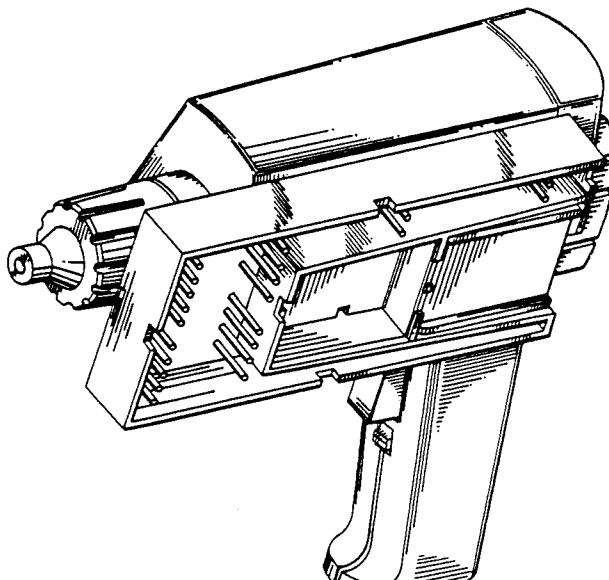
Primary Examiner—Wallace R. Burke
Assistant Examiner—C. E. Heflin
Attorney, Agent, or Firm—Finnegan, Henderson, Farabow, Garrett & Dunner

[57] **CLAIM**

The ornamental design for a combined cordless electric drill, holster and charging base therefor, as shown.

DESCRIPTION

FIG. 1 is a right side elevational view of the combined cordless electric drill, holster and charging base therefor showing our new design.
FIG. 2 is a left side elevational view thereof;
FIG. 3 is a front elevational view thereof;
FIG. 4 is a rear elevational view thereof;
FIG. 5 is a top plan view thereof;
FIG. 6 is a bottom plan view thereof; and
FIG. 7 is a perspective view thereof.



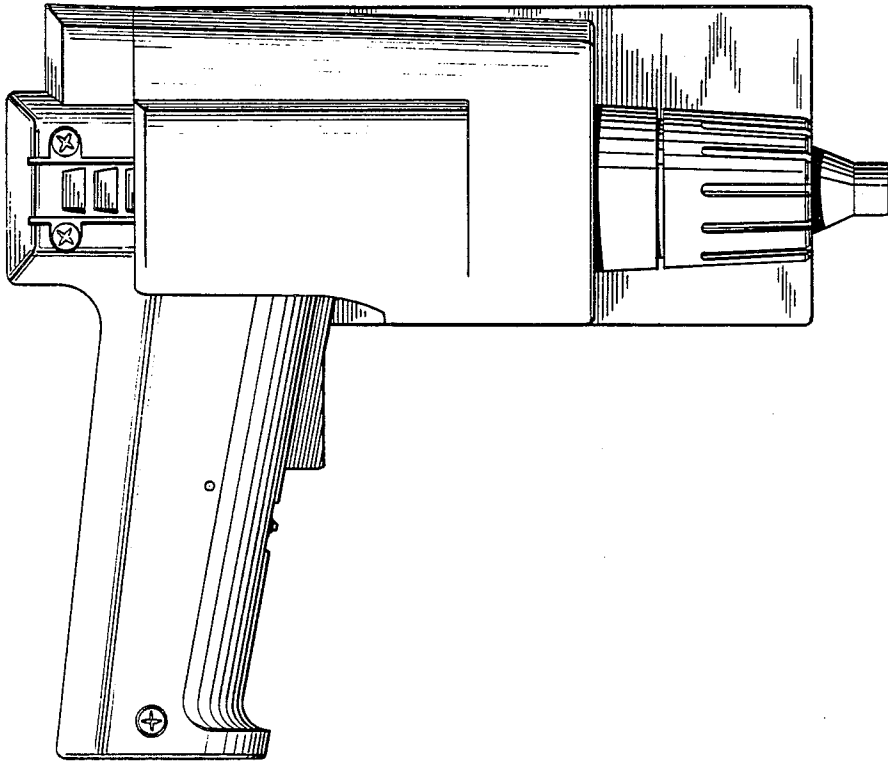


FIG. 1

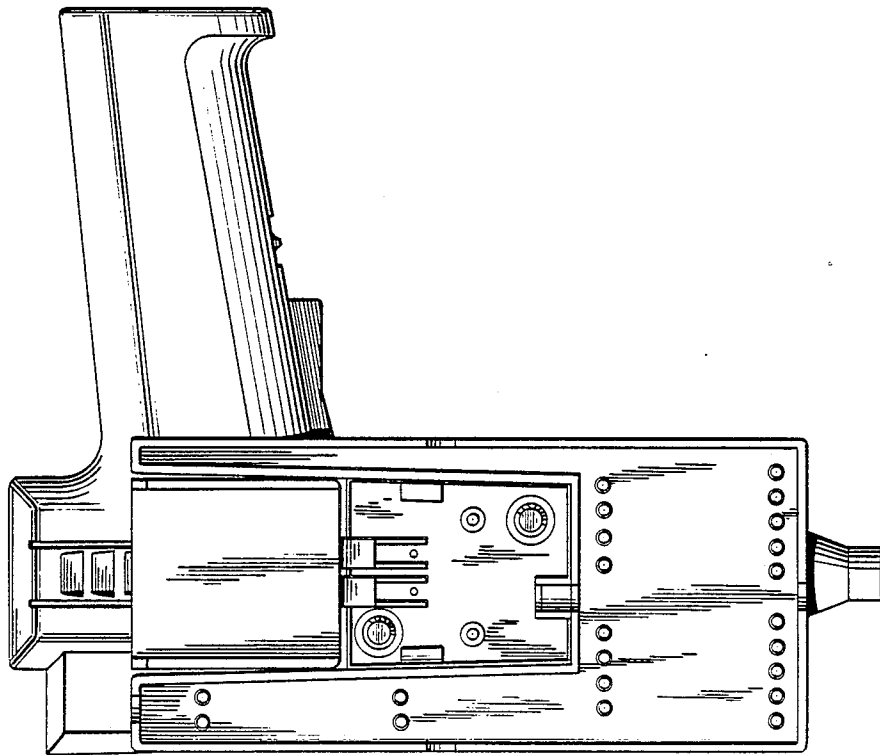


FIG. 2

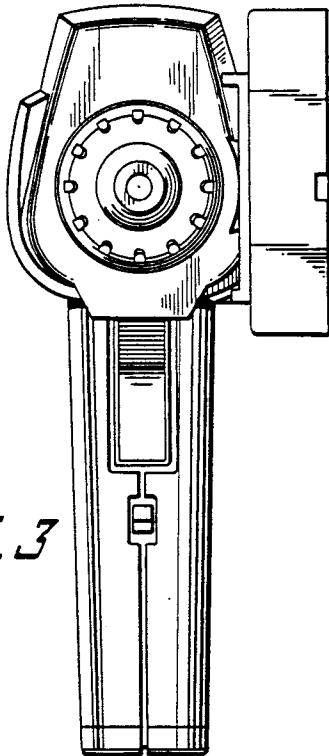


Fig. 3

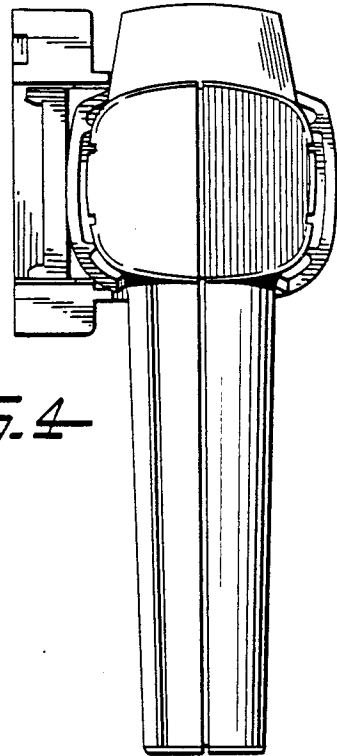


Fig. 4

Fig. 5

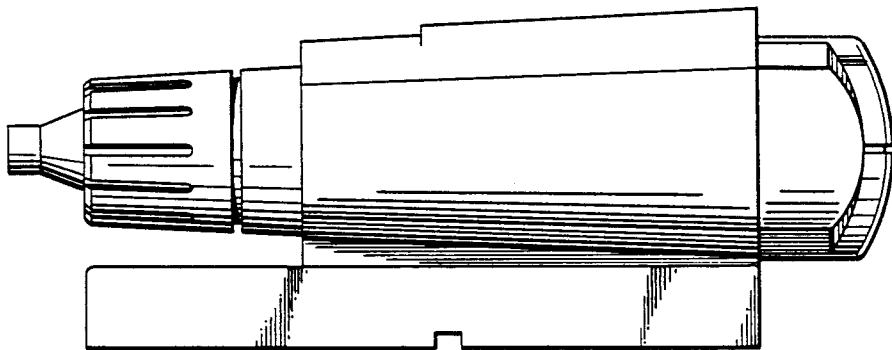


Fig. 6

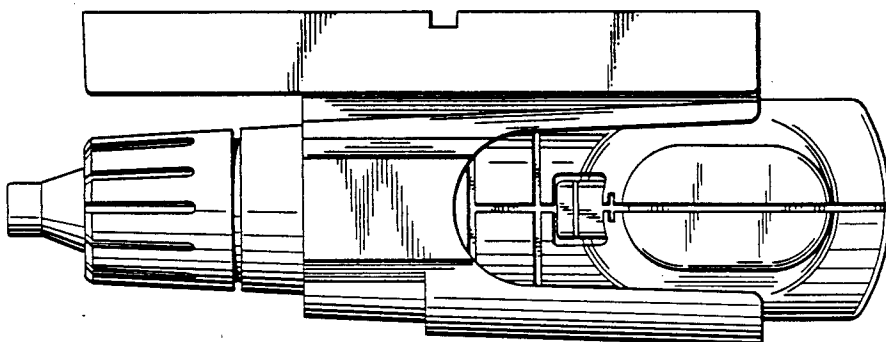


FIG. 1

