



US00D999409S

(12) **United States Design Patent**
Selak

(10) **Patent No.:** **US D999,409 S**

(45) **Date of Patent:** **** Sep. 19, 2023**

(54) **LIGHT EMITTING DIODE DEVICE**

D843,613	S	*	3/2019	Hodohara	D26/1
10,473,319	B2		11/2019	Lin et al.		
10,760,754	B2		9/2020	Grandadam		
2011/0170289	A1		7/2011	Allen et al.		
2016/0053985	A1		2/2016	Wang		
2016/0195235	A1		7/2016	Workman et al.		
2019/0032910	A1		1/2019	Long et al.		
2020/0284399	A1		9/2020	Roys		

(71) Applicant: **Steven James Selak**, Pasadena, CA
(US)

(72) Inventor: **Steven James Selak**, Pasadena, CA
(US)

(**) Term: **15 Years**

FOREIGN PATENT DOCUMENTS

(21) Appl. No.: **29/766,511**

JP 2011096453 A 5/2011

* cited by examiner

(22) Filed: **Jan. 15, 2021**

(51) **LOC (14) Cl.** **26-05**

(52) **U.S. Cl.**

USPC **D26/2**; D13/180

(58) **Field of Classification Search**

USPC D26/1, 2, 24-26, 67-122; D13/180

CPC H01L 2924/12041; F21Y 2115/10; F21V

19/001; Y10S 362/80; G02B 6/0073;

A47G 220/08

See application file for complete search history.

Primary Examiner — Natasha Vujcic

Assistant Examiner — Robert B Rieker

(74) *Attorney, Agent, or Firm* — MILLEN, WHITE,
ZELANO & BRANIGAN, P.C.; William Nixon

(57) **CLAIM**

The ornamental design for a light emitting diode device, as shown and described.

(56) **References Cited**

DESCRIPTION

U.S. PATENT DOCUMENTS

D480,160	S	*	9/2003	Matsui	D26/2
D510,149	S	*	9/2005	Huang	D26/2
7,547,237	B1		6/2009	Zou		
D598,579	S	*	8/2009	Hanley	D26/1
7,661,854	B1		2/2010	Yang et al.		
7,666,036	B1		2/2010	Zou		
D618,636	S	*	6/2010	Hsieh	D13/180
D633,232	S	*	2/2011	Feigenbaum	D26/24
D642,289	S	*	7/2011	Kleene	D26/1
D643,381	S	*	8/2011	Hsieh	D13/180
D649,944	S	*	12/2011	Kuwaharada	D13/180
D667,802	S	*	9/2012	Otaki	D13/180
D674,523	S	*	1/2013	Kaffash	D26/1
D687,788	S	*	8/2013	Chen	D13/180

FIG. 1 illustrates a front perspective view of a light emitting diode device showing my new design;

FIG. 2 illustrates a front elevational view thereof;

FIG. 3 illustrates a rear elevational view thereof;

FIG. 4 illustrates a left side elevational view thereof;

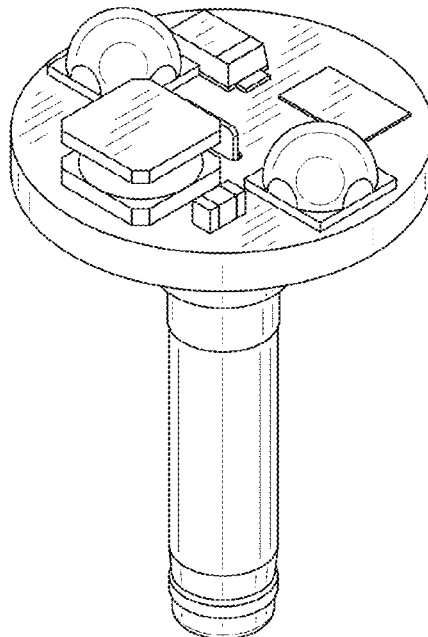
FIG. 5 illustrates a right side elevational view thereof;

FIG. 6 illustrates a top plan view thereof; and,

FIG. 7 illustrates a bottom plan view thereof.

The broken lines in the drawings illustrate portions of the light emitting diode device which forms no part of the claimed design.

1 Claim, 7 Drawing Sheets



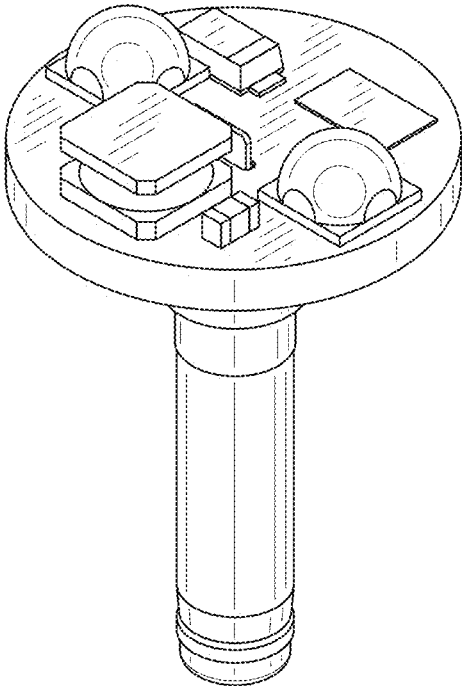


FIG. 1

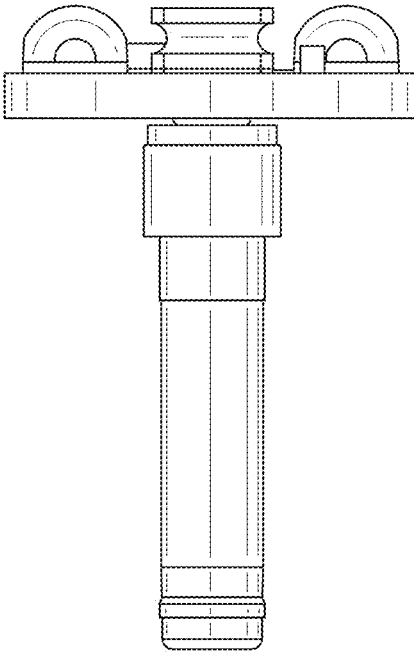


FIG. 2

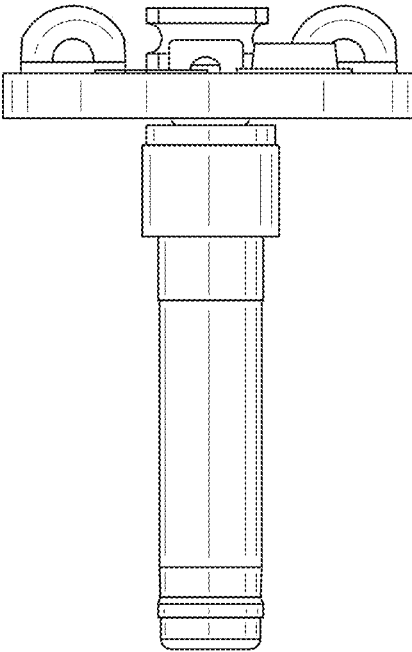


FIG. 3

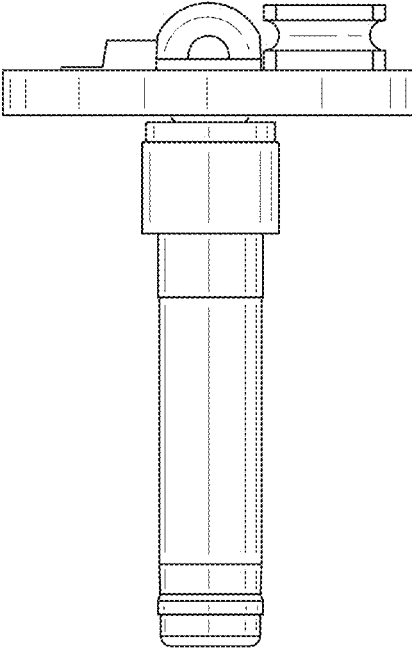


FIG. 4

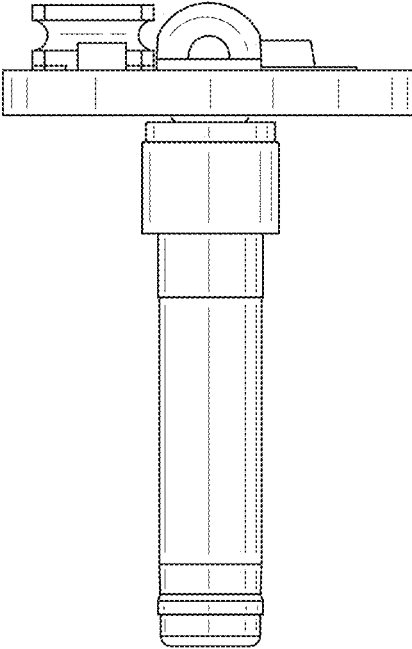


FIG. 5

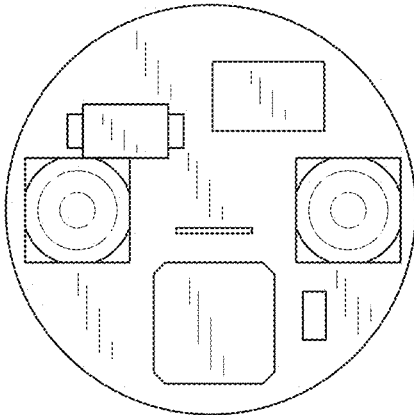


FIG. 6

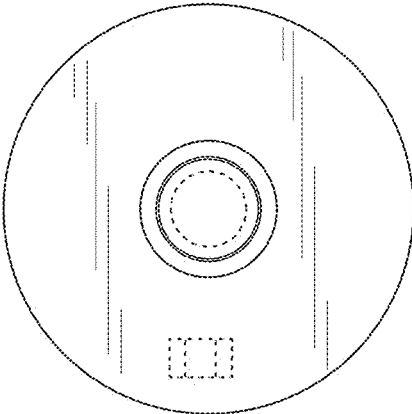


FIG. 7