

(19) World Intellectual Property
Organization
International Bureau



(43) International Publication Date
15 April 2004 (15.04.2004)

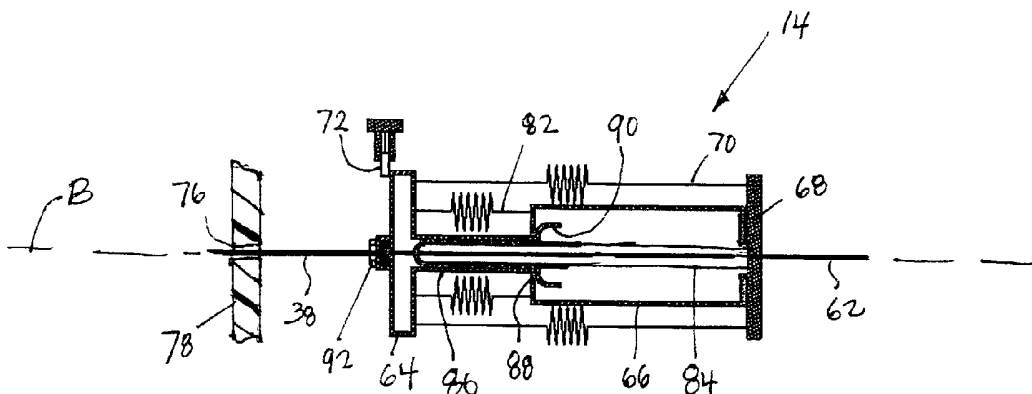
PCT

(10) International Publication Number
WO 2004/030716 A3

- (51) International Patent Classification⁷: **A61M 37/00**
 - (21) International Application Number: PCT/US2003/028769
 - (22) International Filing Date: 11 September 2003 (11.09.2003)
 - (25) Filing Language: English
 - (26) Publication Language: English
 - (30) Priority Data: 10/260,192 30 September 2002 (30.09.2002) US
 - (71) Applicant (for all designated States except US): **INSULET CORPORATION** [US/US]; 100 Cummings Center, Suite 239G, Beverly, MA 01915-6120 (US).
 - (72) Inventors: **FLAHERTY, Christopher, J.**; 242 Ipswich Road, Topsfield, MA 01983 (US). **GORMAN, William**; 62 Lakeshore Drive, South Hamilton, MA 01982 (US). **GARIBOTTO, John, T.**; 29 Winthrop Street, Charlestown, MA 02129 (US). **BUSSIERE, John, R.**; 9 Gray Farm Road, Littleton, MA 01460 (US). **ABELSON, Matthew, D.**; 83A Boston Street, Somerville, MA 02143 (US). **CHASTAIN, David, P.**; 21 Washington Drive, Acton, MA 01720 (US).
 - (74) Agents: **LAPPIN, Mark, G.** et al.; McDermott, Will & Emery, 28 State Street, Boston, MA 02109 (US).
 - (81) Designated States (national): AE, AG, AL, AM, AT, AU, AZ, BA, BB, BG, BR, BY, BZ, CA, CH, CN, CO, CR, CU, CZ, DE, DK, DM, DZ, EC, EE, ES, FI, GB, GD, GE, GH, GM, HR, HU, ID, IL, IN, IS, JP, KE, KG, KP, KR, KZ, LC, LK, LR, LS, LT, LU, LV, MA, MD, MG, MK, MN, MW, MX, MZ, NO, NZ, OM, PH, PL, PT, RO, RU, SC, SD, SE, SG, SK, SL, TJ, TM, TN, TR, TT, TZ, UA, UG, UZ, VC, VN, YU, ZA, ZM, ZW.
 - (84) Designated States (regional): ARIPO patent (GH, GM, KE, LS, MW, MZ, SD, SL, SZ, TZ, UG, ZM, ZW), Eurasian patent (AM, AZ, BY, KG, KZ, MD, RU, TJ, TM), European patent (AT, BE, BG, CH, CY, CZ, DE, DK, EE, ES, FI, FR, GB, GR, HU, IE, IT, LU, MC, NL, PT, RO, SE, SI, SK, TR), OAPI patent (BF, BJ, CF, CG, CI, CM, GA, GN, GQ, GW, ML, MR, NE, SN, TD, TG).
- Published:**
 — with international search report
 — before the expiration of the time limit for amending the claims and to be republished in the event of receipt of amendments
- (88) Date of publication of the international search report: 12 August 2004

[Continued on next page]

(54) Title: COMPONENTS AND METHODS FOR PATIENT INFUSION DEVICE



(57) Abstract: A transcutaneous access tool includes a first cannula (38) moveable along an axis, a fixed member (68) including an elongated prong extending parallel with the axis, and a deployment member (64) secured to the first cannula and movable along the axis away from the fixed member. The deployment member includes spaced-apart, resiliently flexible fingers (90) extending parallel with the axis and having distal ends that are laterally enlarged with respect to the axis. The resiliently flexible fingers are received on the prong of the fixed member. A second cannula (62) is disposed within the lumen of the first cannula, and retraction member is secured to the second cannula and is movable along the axis. The retraction member includes at least one catch (88) catching on the laterally enlarged distal ends of the fingers of the deployment element when the fingers are laterally held apart by the prong of the fixed member.

WO 2004/030716 A3



For two-letter codes and other abbreviations, refer to the "Guidance Notes on Codes and Abbreviations" appearing at the beginning of each regular issue of the PCT Gazette.

INTERNATIONAL SEARCH REPORT

International application No.

PCT/US03/28769

A. CLASSIFICATION OF SUBJECT MATTER IPC(7) : A61M 37/00 US CL : 604/131 According to International Patent Classification (IPC) or to both national classification and IPC		
B. FIELDS SEARCHED Minimum documentation searched (classification system followed by classification symbols) U.S. : 604/131, 158,160,164.04,164.01,164.07, 264 Documentation searched other than minimum documentation to the extent that such documents are included in the fields searched Electronic data base consulted during the international search (name of data base and, where practicable, search terms used)		
C. DOCUMENTS CONSIDERED TO BE RELEVANT		
Category *	Citation of document, with indication, where appropriate, of the relevant passages	Relevant to claim No.
A	US 2002/0072733 A1 (FLAHERTY) 13 June 2002 (13.06.2003)	1-60
A	US 2002/0123740 A1 (FLAHERTY et al.) 05 September 2002 (05..09.2003)	1-60
A	EP 0 763 369 A1 (DAUGHERTY, CHARLES) 19 March 1997 (19.03.1997)	1-60
A	US 5,871,470 A (McWHA) 16 February 1999 (16.02.1999)	1-60
A	US 5,865,806 A (HOWELL) 02 February 1999 (02.02.1999)	1-60
<input type="checkbox"/> Further documents are listed in the continuation of Box C. <input type="checkbox"/> See patent family annex.		
* Special categories of cited documents:		
"A" document defining the general state of the art which is not considered to be of particular relevance	"T" later document published after the international filing date or priority date and not in conflict with the application but cited to understand the principle or theory underlying the invention	
"E" earlier application or patent published on or after the international filing date	"X" document of particular relevance; the claimed invention cannot be considered novel or cannot be considered to involve an inventive step when the document is taken alone	
"L" document which may throw doubts on priority claim(s) or which is cited to establish the publication date of another citation or other special reason (as specified)	"Y" document of particular relevance; the claimed invention cannot be considered to involve an inventive step when the document is combined with one or more other such documents, such combination being obvious to a person skilled in the art	
"O" document referring to an oral disclosure, use, exhibition or other means	"&" document member of the same patent family	
"P" document published prior to the international filing date but later than the priority date claimed		
Date of the actual completion of the international search 01 June 2004 (01.06.2004)	Date of mailing of the international search report <div style="font-size: 1.5em; font-weight: bold; text-align: center;">23 JUN 2004</div>	
Name and mailing address of the ISA/US Mail Stop PCT, Attn: ISA/US Commissioner for Patents P.O. Box 1450 Alexandria, Virginia 22313-1450 Facsimile No. (703)305-3230	Authorized officer Matthew F DeSanto Telephone No. 1-703-308-0858 <div style="text-align: right; margin-top: 10px;"> Sheila H. Venedy Paralegal Specialist Tech. Center 3700 </div>	