



US00D695533S

(12) **United States Design Patent**
Jane Santamaria

(10) **Patent No.:** **US D695,533 S**

(45) **Date of Patent:** **** Dec. 17, 2013**

(54) **DEVICE FOR CARRYING BABIES**

(56) **References Cited**

(75) Inventor: **Manuel Jane Santamaria**, Palau de Plegamans (ES)

U.S. PATENT DOCUMENTS

(73) Assignee: **Jane, S.A.**, Palau de Plegamans, Barcelona (ES)

D311,822	S	*	11/1990	Meeker	D6/333
D347,737	S	*	6/1994	Allard et al.	D6/333
D373,028	S	*	8/1996	Kain	D6/333
D374,558	S	*	10/1996	Kain	D6/333
D402,124	S	*	12/1998	Haut et al.	D6/333
D424,311	S	*	5/2000	Geis et al.	D6/333
D431,116	S	*	9/2000	Gibson et al.	D6/333
D545,074	S	*	6/2007	Loew et al.	D6/356
D558,467	S	*	1/2008	Hou et al.	D6/333
D607,651	S	*	1/2010	Karremans	D6/333
D621,171	S	*	8/2010	Xu	D6/333
D637,824	S	*	5/2011	Daly et al.	D6/333

(**) Term: **14 Years**

(21) Appl. No.: **29/374,221**

(22) Filed: **Jul. 15, 2011**

* cited by examiner

(30) **Foreign Application Priority Data**

Jan. 19, 2011 (EM) 001807322

(51) **LOC (9) Cl.** **06-01**

(52) **U.S. Cl.**
USPC **D6/333**

(58) **Field of Classification Search**
USPC D6/333-335, 339, 491, 500-502, 702,
D6/716, 716.1-716.7; 297/183.1-183.4,
297/184.15, 184.17, 250.1, 255, 256.1,
297/256.15, 256.16; 5/94, 98.1, 99.1, 101,
5/105, 655; 280/30, 31; D21/412, 419;
D12/129

See application file for complete search history.

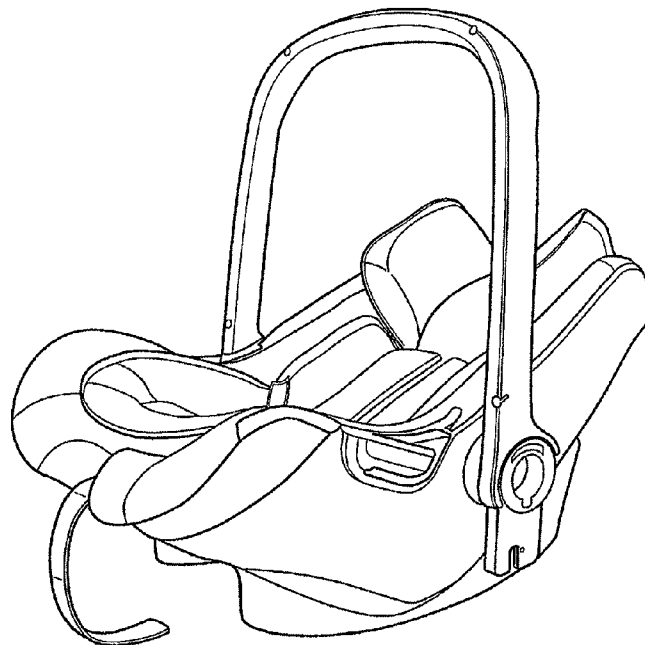
Primary Examiner — Caron D Veynar
Assistant Examiner — Abraham Bahta
(74) *Attorney, Agent, or Firm* — Merchant & Gould P.C.

(57) **CLAIM**
The ornamental design for a device for carrying babies, as shown and described.

DESCRIPTION

FIG. 1 is a front right perspective view of the device for carrying babies showing my new design; FIG. 2 is a left side perspective view thereof; FIG. 3 is a right rear perspective view thereof; and, FIG. 4 is a top left front perspective view thereof.

1 Claim, 4 Drawing Sheets



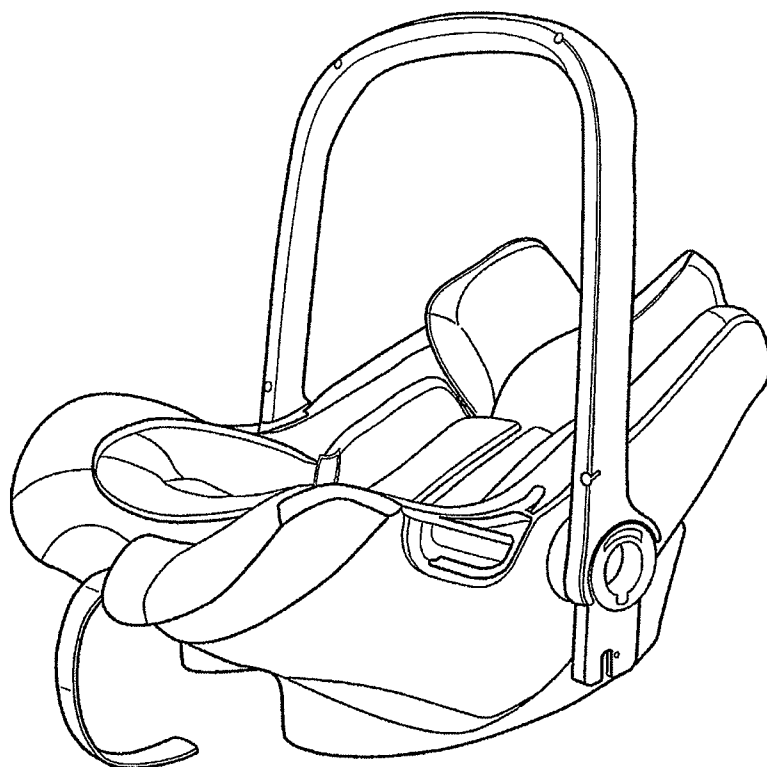


FIG. 1

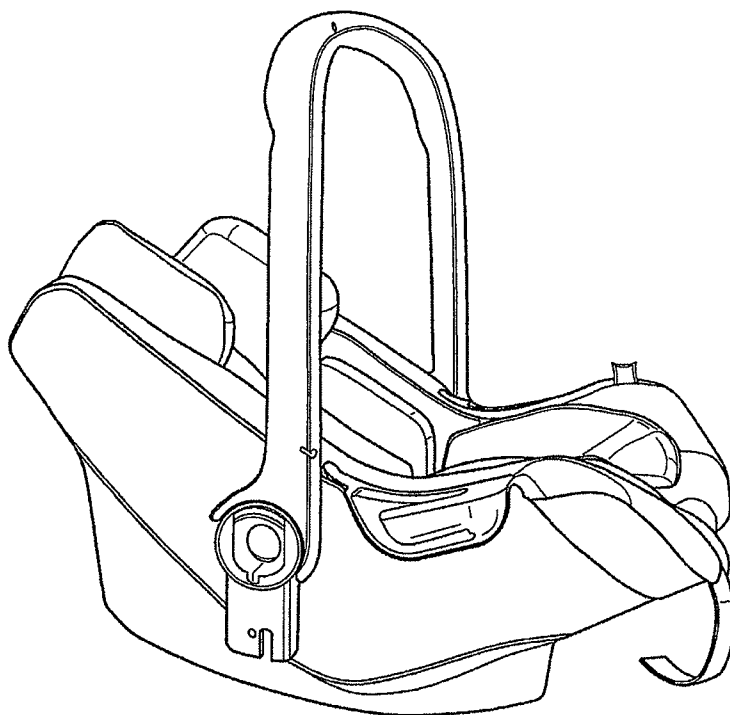


FIG. 2

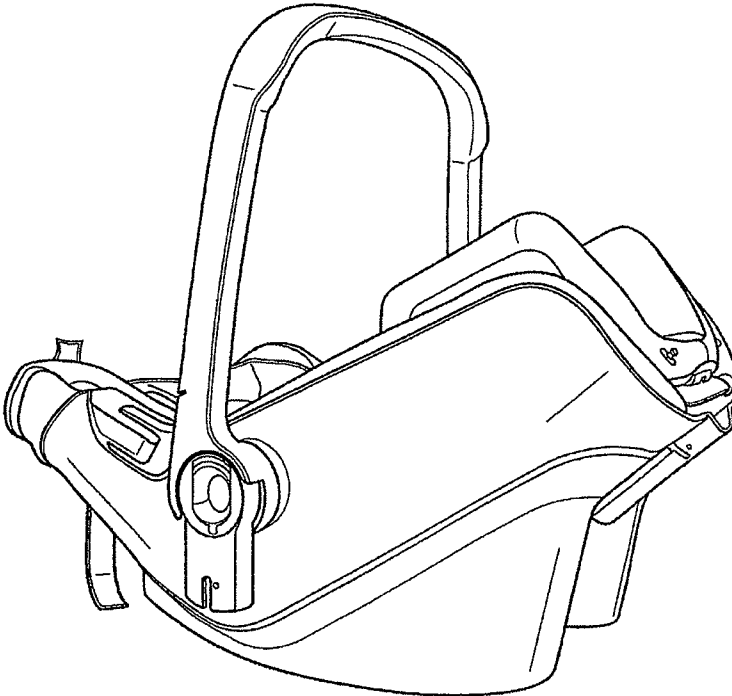


FIG 3.

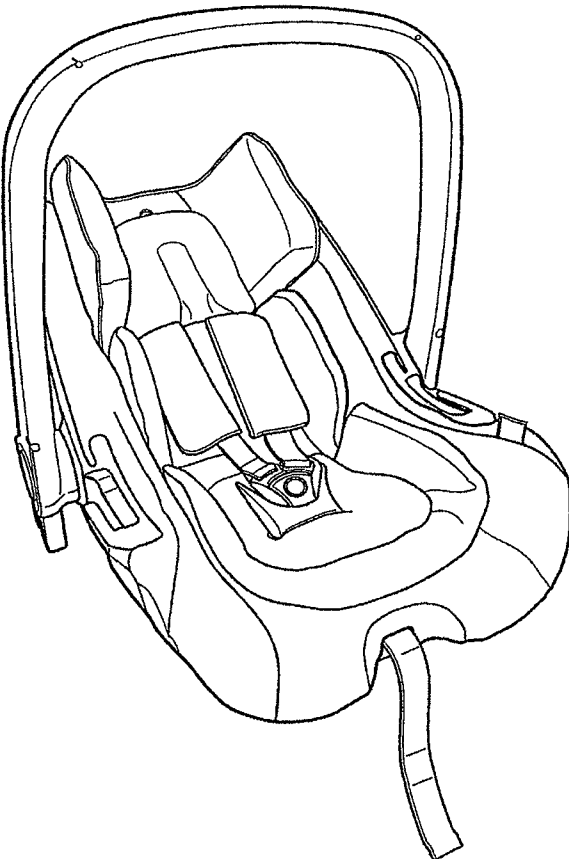


FIG. 4