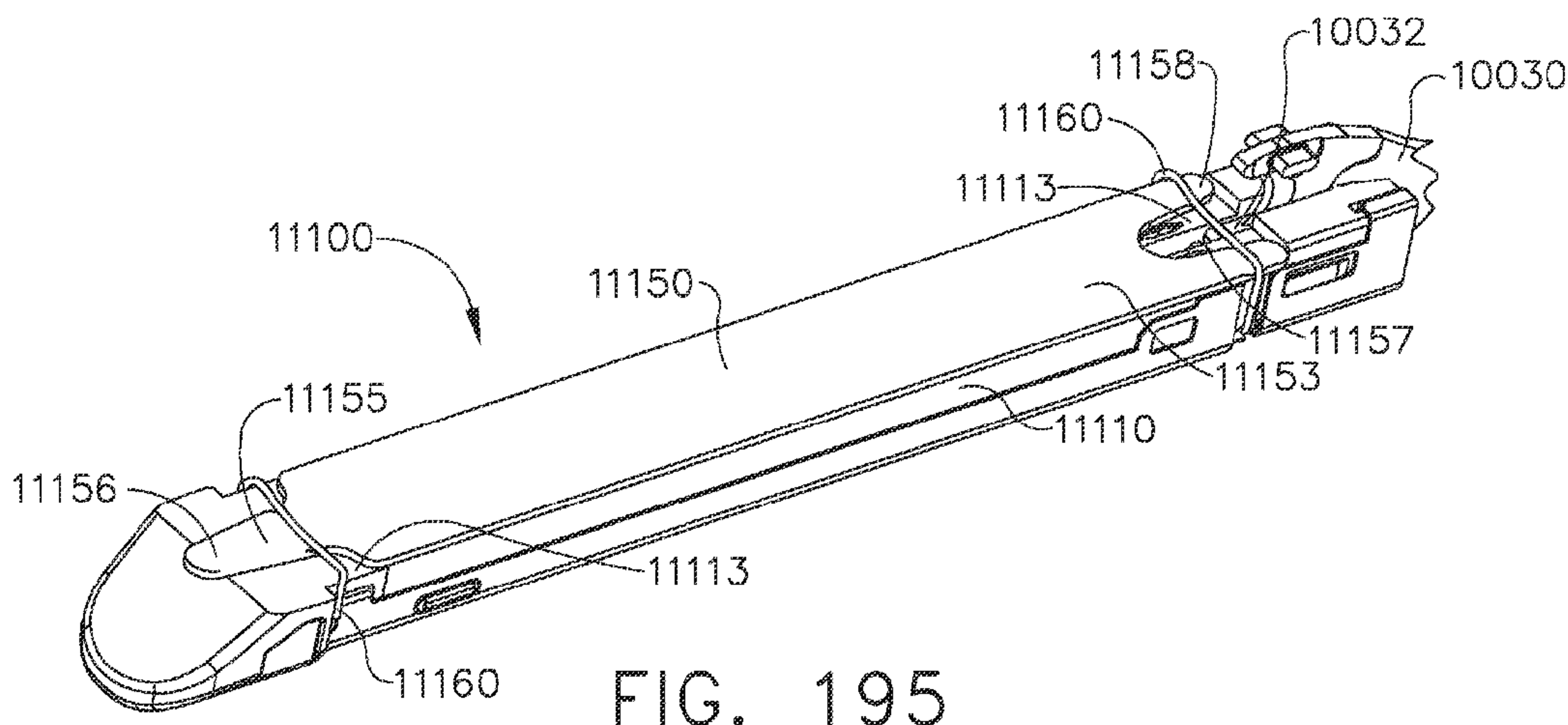




(86) Date de dépôt PCT/PCT Filing Date: 2014/02/07  
 (87) Date publication PCT/PCT Publication Date: 2014/08/14  
 (85) Entrée phase nationale/National Entry: 2015/07/27  
 (86) N° demande PCT/PCT Application No.: US 2014/015307  
 (87) N° publication PCT/PCT Publication No.: 2014/124263  
 (30) Priorité/Priority: 2013/02/08 (US13/763,106)

(51) Cl.Int./Int.Cl. *A61B 17/072* (2006.01)  
 (71) Demandeur/Applicant:  
 ETHICON ENDO-SURGERY, INC., US  
 (72) Inventeurs/Inventors:  
 SCHMID, KATHERINE J., US;  
 SMITH, BRET W., US;  
 SHELTON, FREDERICK E., IV, US  
 (74) Agent: NORTON ROSE FULBRIGHT CANADA  
 LLP/S.E.N.C.R.L., S.R.L.

(54) Titre : EFFECTEUR TERMINAL COMPRENANT UN ELEMENT DE BUTEE DE TISSU DISTAL  
 (54) Title: END EFFECTOR COMPRISING A DISTAL TISSUE ABUTMENT MEMBER



(57) **Abrégé/Abstract:**

A fastener cartridge can comprise a cartridge body comprising fastener cavities, fasteners at least partially stored within the cartridge body, and a layer (11150) positioned over the cartridge body. The cartridge body can include a proximal end and a distal end. Similarly, the layer can include a proximal end and a distal end. The distal end of the layer can extend distally with respect to the distal end of the cartridge body. Furthermore, the layer can include a distal portion (11156) which extends distally with respect to the fastener cavities defined in the cartridge body. This distal portion can be positioned against the tissue being fastened and can flexibly support the tissue after the layer has been implanted against the tissue. The layer may include a proximal portion (11158) which extends proximally with respect to the fastener cavities which can flexibly support the tissue after the layer has been implanted.

(12) INTERNATIONAL APPLICATION PUBLISHED UNDER THE PATENT COOPERATION TREATY (PCT)

(19) World Intellectual Property  
Organization  
International Bureau(43) International Publication Date  
14 August 2014 (14.08.2014)(10) International Publication Number  
**WO 2014/124263 A3**(51) International Patent Classification:  
*A61B 17/072* (2006.01)(21) International Application Number:  
PCT/US2014/015307(22) International Filing Date:  
7 February 2014 (07.02.2014)

(25) Filing Language: English

(26) Publication Language: English

(30) Priority Data:  
13/763,106 8 February 2013 (08.02.2013) US(71) Applicant: **ETHICON ENDO-SURGERY, INC.**  
[US/US]; 4545 Creek Road, Cincinnati, Ohio 45242 (US).(72) Inventors: **SCHMID, Katherine J.**; 3969 Sharonview Drive, Cincinnati, Ohio 45241 (US). **SMITH, Bret W.**; 4736 Eastport Drive, Kings Mills, Ohio 45034 (US). **SHELTON, Frederick E., IV**; 245 East Main Street, Hillsboro, Ohio 45133 (US).(74) Agents: **JOHNSON, Philip S.** et al.; Johnson & Johnson, One Johnson & Johnson Plaza, New Brunswick, New Jersey 08933 (US).

(81) Designated States (unless otherwise indicated, for every kind of national protection available): AE, AG, AL, AM, AO, AT, AU, AZ, BA, BB, BG, BH, BN, BR, BW, BY, BZ, CA, CH, CL, CN, CO, CR, CU, CZ, DE, DK, DM, DO, DZ, EC, EE, EG, ES, FI, GB, GD, GE, GH, GM, GT, HN, HR, HU, ID, IL, IN, IR, IS, JP, KE, KG, KN, KP, KR, KZ, LA, LC, LK, LR, LS, LT, LU, LY, MA, MD, ME,

MG, MK, MN, MW, MX, MY, MZ, NA, NG, NI, NO, NZ, OM, PA, PE, PG, PH, PL, PT, QA, RO, RS, RU, RW, SA, SC, SD, SE, SG, SK, SL, SM, ST, SV, SY, TH, TJ, TM, TN, TR, TT, TZ, UA, UG, US, UZ, VC, VN, ZA, ZM, ZW.

(84) Designated States (unless otherwise indicated, for every kind of regional protection available): ARIPO (BW, GH, GM, KE, LR, LS, MW, MZ, NA, RW, SD, SL, SZ, TZ, UG, ZM, ZW), Eurasian (AM, AZ, BY, KG, KZ, RU, TJ, TM), European (AL, AT, BE, BG, CH, CY, CZ, DE, DK, EE, ES, FI, FR, GB, GR, HR, HU, IE, IS, IT, LT, LU, LV, MC, MK, MT, NL, NO, PL, PT, RO, RS, SE, SI, SK, SM, TR), OAPI (BF, BJ, CF, CG, CI, CM, GA, GN, GQ, GW, KM, ML, MR, NE, SN, TD, TG).

**Declarations under Rule 4.17:**

- as to the identity of the inventor (Rule 4.17(i))
- as to applicant's entitlement to apply for and be granted a patent (Rule 4.17(ii))
- as to the applicant's entitlement to claim the priority of the earlier application (Rule 4.17(iii))

**Published:**

- with international search report (Art. 21(3))
- before the expiration of the time limit for amending the claims and to be republished in the event of receipt of amendments (Rule 48.2(h))

(88) Date of publication of the international search report:  
2 October 2014

(54) Title: END EFFECTOR COMPRISING A DISTAL TISSUE ABUTMENT MEMBER

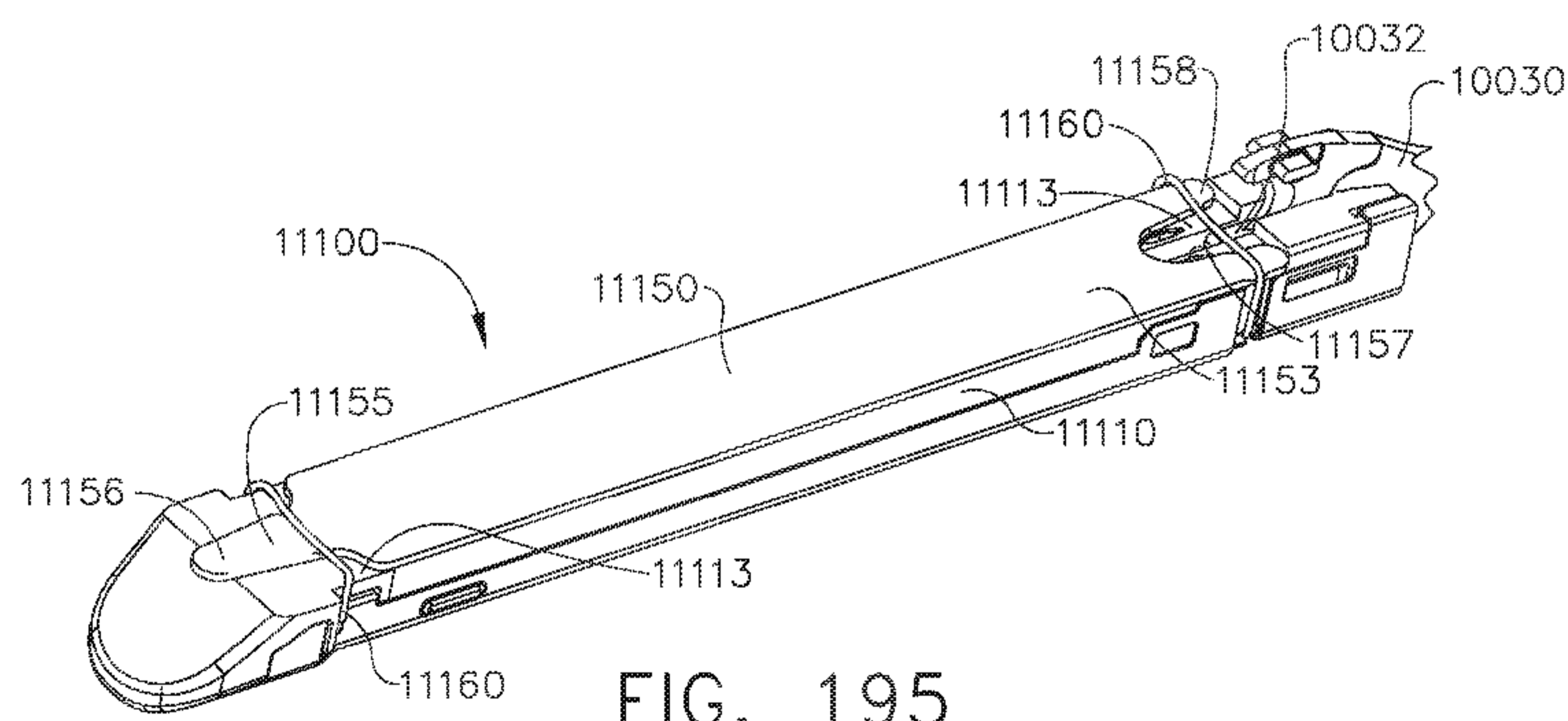


FIG. 195

(57) **Abstract:** A fastener cartridge can comprise a cartridge body comprising fastener cavities, fasteners at least partially stored within the cartridge body, and a layer (11150) positioned over the cartridge body. The cartridge body can include a proximal end and a distal end. Similarly, the layer can include a proximal end and a distal end. The distal end of the layer can extend distally with respect to the distal end of the cartridge body. Furthermore, the layer can include a distal portion (11156) which extends distally with respect to the fastener cavities defined in the cartridge body. This distal portion can be positioned against the tissue being fastened and can flexibly support the tissue after the layer has been implanted against the tissue. The layer may include a proximal portion (11158) which extends proximally with respect to the fastener cavities which can flexibly support the tissue after the layer has been implanted.



WO 2014/124263 A3

## DEMANDE OU BREVET VOLUMINEUX

LA PRÉSENTE PARTIE DE CETTE DEMANDE OU CE BREVET COMPREND PLUS D'UN TOME.

CECI EST LE TOME           1   DE   2  
CONTENANT LES PAGES    1   À   153

NOTE : Pour les tomes additionels, veuillez contacter le Bureau canadien des brevets

## JUMBO APPLICATIONS/PATENTS

THIS SECTION OF THE APPLICATION/PATENT CONTAINS MORE THAN ONE VOLUME

THIS IS VOLUME           1   OF   2  
CONTAINING PAGES    1   TO   153

NOTE: For additional volumes, please contact the Canadian Patent Office

NOM DU FICHER / FILE NAME :

NOTE POUR LE TOME / VOLUME NOTE:

## TITLE

**END EFFECTOR COMPRISING A DISTAL TISSUE ABUTMENT MEMBER**

## CROSS REFERENCE TO RELATED APPLICATION

[0001] This non-provisional patent application is a continuation-in-part application under 35 U.S.C. §120 of U.S. Patent Application Ser. No. 13/433,129, entitled TISSUE THICKNESS COMPENSATOR COMPRISING A PLURALITY OF MEDICAMENTS, filed on March 28, 2012, the entire disclosure of which is hereby incorporated by reference herein.

## BACKGROUND

[0002] The present invention relates to surgical instruments and, in various embodiments, to surgical cutting and stapling instruments and staple cartridges therefor that are designed to cut and staple tissue.

## BRIEF DESCRIPTION OF THE DRAWINGS

[0003] The features and advantages of this invention, and the manner of attaining them, will become more apparent and the invention itself will be better understood by reference to the following description of embodiments of the invention taken in conjunction with the accompanying drawings, wherein:

[0004] FIG. 1 is a left front perspective view of a surgical stapling and severing instrument with a handle portion including a link triggered automatic retraction and a ratcheting manual retraction mechanism;

[0005] FIG. 2 is a right aft perspective view of the surgical stapling and severing instrument of FIG. 1 with a portion of an elongate shaft cut away and a right half shell of a handle housing removed to expose an automatic end-of-firing travel retraction mechanism and a manual firing retraction mechanism;

[0006] FIG. 3 is a right aft perspective disassembled view of the handle portion and an

elongate shaft of the surgical stapling and severing instrument of FIG. 1;

[0007] FIG. 4 is a right side view in elevation of the partially disassembled surgical stapling and severing instrument of FIG. 1;

[0008] FIG. 5 is a right aft perspective view of the partially disassembled surgical stapling and severing instrument of FIG. 1 with a closure mechanism closed and clamped and the side pawl firing mechanism completing a first stroke and with a manual retraction mechanism removed to expose a distal link of the linked rack that triggers automatic retraction of the firing mechanism;

[0009] FIG. 6 is a left side view in elevation of the partially disassembled surgical stapling and severing instrument of FIG. 4 in an initial state of end effector open and anti-backup mechanism engaged;

[0010] FIG. 7 is a left side detail in elevation of the disassembled surgical stapling and severing instrument of FIG. 1 immediately after the distal link has actuated and locked forward the anti-backup release lever, allowing the linked rack to retract;

[0011] FIG. 8 is a right disassembled perspective view of the idler and aft gears and manual retraction lever and ratcheting pawl of a manual retraction mechanism of the surgical stapling and severing instrument of FIG. 1;

[0012] FIG. 9 is a partially disassembled left side view in elevation of a surgical stapling and severing instrument of FIG. 1 with the anti-backup mechanism engaged to a fully fired linked rack that is disconnected from a combination tension/compression spring prior to actuation of the manual retraction lever of FIG. 8;

[0013] FIG. 10 is a partially disassembled left side view in elevation of the surgical stapling and severing instrument of FIG. 9 with hidden portions of the anti-backup release lever, aft gear, and manual firing release lever shown in phantom;

[0014] FIG. 11 is a partially disassembled left side view in elevation of the surgical stapling and severing instrument of FIG. 10 after actuation of the manual firing release lever has manually retracted the link rack;

[0015] FIG. 12 is a partially disassembled left side view in elevation of the surgical stapling and severing instrument of FIG. 11 with the linked rack omitted depicting the manual firing release lever disengaging the anti-backup mechanism;

[0016] FIG. 13 is a right side view in elevation of an alternative anti-backup release

mechanism with the linked rack in a retracted position and the anti-backup release lever proximally positioned with the anti-backup plate engaged to the firing rod;

[0017] FIG. 14 is a right detail side view in elevation of the aft gear, automatic retraction cam wheel and distal-most link of FIG. 13;

[0018] FIG. 15 is a right side view in elevation of an automatic release mechanism after a further firing stroke causes the automatic retraction cam wheel to distally slide and lock the anti-backup release lever, disengaging the anti-backup mechanism;

[0019] FIG. 16 is a left, front perspective view of an open staple applying assembly with a right half portion of a replaceable staple cartridge included in a staple channel;

[0020] FIG. 17 is an exploded perspective view of the staple applying assembly of FIG. 16 with a complete replaceable staple cartridge and an nonarticulating shaft configuration;

[0021] FIG. 18 is a perspective view of a plurality of staple drivers positionable within a cartridge body of a staple cartridge;

[0022] FIG. 19 is a perspective view of a two-piece knife and firing bar ("E-beam") of the staple applying assembly of FIG. 16;

[0023] FIG. 20 is a perspective view of a wedge sled of a staple cartridge of a staple applying assembly;

[0024] FIG. 21 is a left side view in elevation taken in longitudinal cross section along a centerline line 21-21 of the staple applying assembly of FIG. 16;

[0025] FIG. 22 is a perspective view of the open staple applying assembly of FIG. 16 without the replaceable staple cartridge and without a distal portion of a staple channel;

[0026] FIG. 23 is a front view in elevation taken in cross section along line 23-23 of the staple applying assembly of FIG. 16 depicting internal staple drivers of the staple cartridge and portions of the two-piece knife and firing bar;

[0027] FIG. 24 is a left side view in elevation taken generally along the longitudinal axis of line 24-24 of a closed staple applying assembly of FIG. 16 to include center contact points between the two-piece knife and wedge sled but also laterally offset to show staples and staple drivers within the staple cartridge;

[0028] FIG. 25 is a left side detail view in elevation of the staple applying assembly of FIG. 24 with the two-piece knife retracted slightly more as typical for staple cartridge replacement;

[0029] FIG. 26 is a left side detail view in elevation of the staple applying assembly of FIG. 25 with the two-piece knife beginning to fire, corresponding to the configuration depicted in FIG. 24;

[0030] FIG. 27 is a left side cross-sectional view in elevation of the closed staple applying assembly of FIG. 24 after the two-piece knife and firing bar has distally fired;

[0031] FIG. 28 is a left side cross-sectional view in elevation of the closed staple applying assembly of FIG. 27 after firing of the staple cartridge and retraction of the two-piece knife;

[0032] FIG. 29 is a left side cross-sectional detail view in elevation of the staple applying assembly of FIG. 28 with the two-piece knife allowed to drop into a lockout position;

[0033] FIG. 29A is a partial, perspective view of a jaw of an end effector assembly with various elements removed therefrom according to various embodiments of the present disclosure, depicting a firing assembly in an unfired position, and further depicting a sled engaged with a release stop of an actuator;

[0034] FIG. 29B is a partial, perspective view of the jaw of FIG. 29A with various elements removed therefrom, depicting the firing assembly in a partially fired position, and further depicting the sled disengaged from the release stop of the actuator;

[0035] FIG. 30 is a perspective view of a surgical stapling instrument including a shaft and a detachable end effector;

[0036] FIG. 31 is a partial perspective view of the shaft and the end effector of the surgical stapling instrument of FIG. 30;

[0037] FIG. 32 is a partial perspective view of the end effector being assembled to the shaft of the surgical stapling instrument of FIG. 30;

[0038] FIG. 33 is another partial perspective view of the end effector being assembled to the shaft of the surgical stapling instrument of FIG. 30;

[0039] FIG. 34 is a partial cross-sectional elevational view illustrating the end effector uncoupled to the shaft of the surgical stapling instrument of FIG. 30;

[0040] FIG. 35 is a partial cross-sectional elevational view illustrating the end effector coupled to the shaft of the surgical stapling instrument of FIG. 30, and further illustrating a slide collar in an open, unlocked position;

[0041] FIG. 36 is a partial cross-sectional elevational view illustrating the end effector coupled to the shaft of the surgical stapling instrument of FIG. 30, and further illustrating the slide collar in a closed, locked position;

[0042] FIG. 37 is an exploded view of the end effector of FIG. 30 illustrated with components removed;

[0043] FIG. 38 is an exploded view of the shaft of FIG. 30;

[0044] FIG. 39 is a longitudinal cross-sectional view of an anvil in a closed position and a staple cartridge comprising a rigid support portion and a compressible tissue thickness compensator illustrated with staples being moved from an unfired position to a fired position during a first sequence;

[0045] FIG. 40 is another cross-sectional view of the anvil and the staple cartridge of FIG. 39 illustrating the anvil in an open position after the firing sequence has been completed;

[0046] FIG. 41 is a partial detail view of the staple cartridge of FIG. 39 illustrating the staples in an unfired position;

[0047] FIG. 42 is a cross-sectional elevational view of a staple cartridge comprising a rigid support portion and a compressible tissue thickness compensator illustrating the staples in an unfired position;

[0048] FIG. 43 is a detail view of the staple cartridge of FIG. 42;

[0049] FIG. 44 is an elevational view of an anvil in an open position and a staple cartridge comprising a rigid support portion and a compressible tissue thickness compensator illustrating the staples in an unfired position;

[0050] FIG. 45 is an elevational view of an anvil in a closed position and a staple cartridge comprising a rigid support portion and a compressible tissue thickness compensator illustrating the staples in an unfired position and tissue captured between the anvil and the tissue thickness compensator;

[0051] FIG. 46 is a detail view of the anvil and staple cartridge of FIG. 45;

[0052] FIG. 47 is an elevational view of the anvil and staple cartridge of FIG. 45 illustrating tissue having different thicknesses positioned between the anvil and the staple cartridge;



[0053] FIG. 48 is a detail view of the anvil and staple cartridge of FIG. 45 as illustrated in FIG. 47;

[0054] FIG. 49 is a diagram illustrating a tissue thickness compensator which is compensating for different tissue thickness captured within different staples;

[0055] FIG. 50 is a diagram illustrating a tissue thickness compensator applying a compressive pressure to one or more vessels that have been transected by a staple line;

[0056] FIG. 51 is a diagram illustrating tissue captured within a staple;

[0057] FIG. 52 is a diagram illustrating thick tissue and a tissue thickness compensator captured within a staple;

[0058] FIG. 53 is a diagram illustrating thin tissue and a tissue thickness compensator captured within a staple;

[0059] FIG. 54 is a diagram illustrating tissue having an intermediate thickness and a tissue thickness compensator captured within a staple;

[0060] FIG. 55 is a partial cross-sectional view of an end effector of a surgical stapling instrument in accordance with at least one embodiment;

[0061] FIG. 56 is a partial cross-sectional view of an end effector in accordance with at least one alternative embodiment;

[0062] FIG. 57 is a partial cross-sectional view of an end effector in accordance with another alternative embodiment;

[0063] FIG. 58 is a partial cross-sectional view of an end effector illustrated in a flexed condition;

[0064] FIG. 59 is a partial cross-sectional view of the end effector of FIG. 58 in a released condition;

[0065] FIG. 60 is a cross-sectional perspective view of a staple cartridge comprising lateral retention members configured to hold a tissue thickness compensator to a support portion;

[0066] FIG. 61 is a cross-sectional view of the staple cartridge of FIG. 60 being utilized to staple tissue;

[0067] FIG. 62 is a perspective view of a staple cartridge including a cartridge body and a tissue thickness compensator attached to the cartridge body by a plurality of firable attachment members;

- [0068] FIG. 63 is an exploded view of the staple cartridge of FIG. 62;
- [0069] FIG. 64 is an elevational view of the staple cartridge of FIG. 62;
- [0070] FIG. 65 is a cross-sectional view of the staple cartridge of FIG. 62 taken along a cross-sectional line in FIG. 64 illustrating the firable attachment members in an unfired position;
- [0071] FIG. 66 is a cross-sectional view of the staple cartridge of FIG. 62 taken along the cross-sectional line in FIG. 64 illustrating the firable attachment members in a fired, broken, position;
- [0072] FIG. 67 is a perspective view of a tissue thickness compensator;
- [0073] FIG. 68 is a perspective view of the tissue thickness compensator of FIG. 67 being assembled to a staple cartridge;
- [0074] FIG. 69 is an exploded view of the tissue thickness compensator and the staple cartridge of FIG. 68;
- [0075] FIG. 70 is a detail view of a proximal end of a tissue thickness compensator;
- [0076] FIG. 71 is a partial elevational view of the tissue thickness compensator of FIG. 70 assembled to a staple cartridge;
- [0077] FIG. 72 is a plan view of the tissue thickness compensator and staple cartridge of FIG. 71;
- [0078] FIG. 73 is a front view of a mount for holding a tissue thickness compensator to a staple cartridge;
- [0079] FIG. 74 is a side view of the mount of FIG. 73;
- [0080] FIG. 75 is a rear view of the mount of FIG. 73;
- [0081] FIG. 76 is a bottom view of the mount of FIG. 73;
- [0082] FIG. 77 is a partial cross-sectional view of a staple cartridge including a retention pin configured to releasably hold a tissue thickness compensator to a cartridge body of the staple cartridge;
- [0083] FIG. 77A is a partial cross-sectional perspective view of the staple cartridge of FIG. 77 with portions thereof removed for the purposes of illustration;
- [0084] FIG. 78 is a partial cross-sectional view of the staple cartridge of FIG. 77 illustrating the retention pin in a defeated condition;

[0085] FIG. 79 is a partial cross-sectional perspective view of the staple cartridge of FIG. 77 also illustrating the retention pin in a defeated condition;

[0086] FIG. 80 is a partial cross-sectional view of a staple cartridge including a clamp configured to releasably hold a tissue thickness compensator to a cartridge body illustrating the clamp in a closed condition;

[0087] FIG. 81 is a partial cross-sectional view of the staple cartridge of FIG. 80 illustrating the clamp in an open condition;

[0088] FIG. 81A is a perspective view of a staple cartridge with a layer, such as a tissue thickness compensator and/or a buttress material, arranged thereon, wherein the staple cartridge is arranged relative to an end effector cutting blade, and wherein remaining portions of the end effector are removed for purposes of illustration;

[0089] FIG. 82 is a cross-sectional plan view of the staple cartridge of FIG. 81A, showing a cutting blade for severing the distal end of the layer arranged in a distal cavity in the staple cartridge, wherein the cutting blade is undeployed, and wherein staples are omitted for purposes of clarity;

[0090] FIG. 83 is a cross-sectional plan view of the staple cartridge of FIG. 81A, wherein the cutting blade for severing the distal end of the layer is deployed, and wherein staples are omitted for purposes of clarity;

[0091] FIG. 84 is a perspective view of a jaw of an end effector assembly according to various embodiments of the present disclosure, depicting a tissue thickness compensator secured to a cartridge body by a proximal connector and by a distal connector, and further depicting a firing assembly in an unfired position;

[0092] FIG. 85A is a partial, plan view of the jaw of FIG. 84, depicting the actuator in a pre-actuated position;

[0093] FIG. 85B is a partial, plan view of the jaw of FIG. 84, depicting the actuator in an actuated position;

[0094] FIG. 85C is a detail view of the jaw of FIG. 85B;

[0095] FIG. 85D is an elevation view of the jaw of FIG. 84, depicting the actuator in the actuated position, and further depicting the proximal and distal connectors broken;

[0096] FIG. 86 is a partial, elevation view of the jaw of FIG. 84 with various elements removed therefrom, depicting a sled of the cartridge body engaged with a tab of the actuator of FIG. 85A;

[0097] FIG. 87 is a partial, elevation view of the jaw of FIG. 84 with various elements removed therefrom, depicting the sled of the cartridge body disengaged from the tab of the actuator;

[0098] FIG. 87A is a partial, plan view of a jaw of an end effector assembly according to various embodiments of the present disclosure, depicting a firing bar of a firing assembly against a release stop of an actuator;

[0099] FIG. 87B is a partial, plan view of the jaw of FIG. 87A, depicting the firing bar of the firing assembly extending through the release stop of the actuator;

[0100] FIG. 88 is a perspective view of a jaw of an end effector assembly according to various embodiments of the present disclosure, depicting a tissue thickness compensator secured to a cartridge body, and further depicting a firing assembly in an unfired position;

[0101] FIG. 89 is a partial, elevation view of the jaw of FIG. 88 with various elements shown in transparency, depicting an actuator extending through the jaw, and further depicting the firing assembly in an unfired position;

[0102] FIG. 90 is a partial cross-sectional view of a staple cartridge which includes a retention pin configured to releasably hold a tissue thickness compensator to a cartridge body illustrating the retention pin in an activated condition;

[0103] FIG. 91 is a partial cross-sectional view of the staple cartridge of FIG. 90 illustrating the retention pin in a deactivated condition;

[0104] FIG. 92 is a perspective view of an actuator of the staple cartridge of FIG. 90 which is configured to deactivate the retention pin;

[0105] FIG. 93A is a perspective view of a fastener cartridge assembly of an end effector assembly according to various embodiments of the present disclosure, depicting a tissue thickness compensator released from a cartridge body of the fastener cartridge assembly;

[0106] FIG. 93B is a perspective view of the fastener cartridge assembly of FIG. 93A, depicting the tissue thickness compensator secured to the cartridge body of the staple cartridge assembly;

[0107] FIG. 93C is an elevational view of the fastener cartridge assembly of FIG. 93A with various elements removed therefrom, depicting a firing assembly in a pre-fired position;

[0108] FIG. 93D is an elevational view of the fastener cartridge assembly of FIG. 93A with various elements removed therefrom, depicting the firing assembly in a partially-fired position;

[0109] FIG. 94 is a partial, perspective view of a fastener cartridge assembly of an end effector assembly according to various embodiments of the present disclosure, depicting a tissue thickness compensator released from a cartridge body of the fastener cartridge assembly;

[0110] FIG. 95 is a partial, perspective view of a fastener cartridge assembly of an end effector assembly according to various embodiments of the present disclosure, depicting a tissue thickness compensator released from a cartridge body of the fastener cartridge assembly;

[0111] FIG. 96 is a partial, cross-sectional view of the fastener cartridge assembly of FIG. 95, depicting a mount of the tissue thickness compensator held in a bridge of the cartridge body;

[0112] FIG. 97 is a perspective view of a fastener cartridge assembly of an end effector assembly according to various embodiments of the present disclosure, depicting a tissue thickness compensator released from a cartridge body of the fastener cartridge assembly;

[0113] FIG. 98 is a perspective view of the fastener cartridge assembly of FIG. 97, depicting the tissue thickness compensator secured to the cartridge body of the fastener cartridge assembly;

[0114] FIG. 99 is an elevational, cross-sectional view of the end effector assembly of FIG. 97, depicting the tissue thickness compensator secured to the cartridge body of the fastener cartridge assembly, and further depicting the end effector in an unclamped position;

[0115] FIG. 100 is an elevational, cross-sectional view of the end effector assembly of FIG. 97, depicting the tissue thickness compensator unsecured to the cartridge body of the fastener cartridge assembly, and further depicting the end effector assembly in a clamped position;

[0116] FIG. 101 is a perspective view of a staple cartridge applicator assembly comprising an upper tissue thickness compensator including a plurality of retention features extending therefrom and a staple cartridge comprising a lower tissue thickness compensator;

[0117] FIG. 102 is an elevational view of the staple cartridge applicator assembly of FIG. 101 positioned within a staple cartridge channel and an anvil being closed onto the staple cartridge applicator assembly;

[0118] FIG. 103 is an elevational view of the anvil of FIG. 102 in a re-opened position and the staple cartridge applicator of FIG. 101 being removed from the end effector;

[0119] FIG. 104 is a cross-sectional view of tissue positioned intermediate the upper tissue thickness compensator and the lower tissue thickness compensator of FIG. 101;

[0120] FIG. 105 is a cross-sectional view illustrating the upper tissue thickness compensator and the lower tissue thickness compensator stapled to the tissue and severed by a cutting member;

[0121] FIG. 106 is a perspective view of staple cartridge applicator assembly comprising an upper tissue thickness compensator configured to be attached to an anvil in accordance with at least one embodiment;

[0122] FIG. 106A is an elevational view of the staple cartridge applicator assembly of FIG. 106 positioned within a staple cartridge channel and an anvil being moved toward the upper tissue thickness compensator;

[0123] FIG. 106B illustrates the staple cartridge applicator of FIG. 106 being removed from the end effector after the upper tissue thickness compensator has been engaged with the anvil;

[0124] FIG. 107 is a cross-sectional end view of the anvil being moved toward the upper tissue thickness compensator of FIG. 106;

[0125] FIG. 108 is a cross-sectional end view of the anvil engaged with the upper tissue thickness compensator;

[0126] FIG. 109 is a perspective view of a staple cartridge having a piece of buttress material releasably retained thereto in accordance with one non-limiting embodiment of the present invention;

[0127] FIG. 110 is an exploded, perspective view of the staple cartridge and the piece of buttress material of FIG. 109, wherein the piece of buttress material includes a plurality of members extending therefrom;

[0128] FIG. 111 is a cross-sectional view taken along line 111-111 in FIG. 109 illustrating the members of FIG. 110 engaged with staple cavities in accordance with one non-limiting embodiment of the present invention;

[0129] FIG. 112 is a cross-sectional view of a piece of buttress material including members engaged with staple cavities of a staple cartridge in accordance with one non-limiting embodiment of the present invention;

[0130] FIG. 113 is an exploded view of FIG. 112 illustrating the members separated from the staple cavities of the staple cartridge in accordance with one non-limiting embodiment of the present invention;

[0131] FIG. 114 is a partial, perspective view of a support portion of a staple cartridge comprising detachable and/or displaceable staple leg guides;

[0132] FIG. 115 is a partial, cross-sectional view of the staple cartridge of FIG. 114 illustrating staples being deployed from the staple cartridge;

[0133] FIG. 116 is a detail view of the cross-sectional view of FIG. 114 after the staple cartridge has been fired;

[0134] FIG. 117 is a partial, perspective view of a cartridge body, a shell, and a tissue thickness compensator according to various embodiments to the present disclosure, depicting projections extending from the cartridge body;

[0135] FIG. 118 is a partial, perspective view of a cartridge body, a shell, and a tissue thickness compensator according to various embodiments of the present disclosure, depicting projections extending from the shell;

[0136] FIG. 119 is a partial, cross-sectional view of an end effector assembly according to various embodiments of the present disclosure, depicting a staple positioned in a staple cavity of a cartridge body of the end effector assembly, and further depicting the staple in an unformed configuration;

[0137] FIG. 120 is a partial, cross-sectional view of the end effector assembly of FIG. 119, depicting the staple ejected from the staple cavity, and further depicting the staple in a formed configuration;

- [0138] FIG. 121 is perspective view of a staple and a lock according to various embodiments of the present disclosure, depicting the lock in a locked configuration;
- [0139] FIG. 122 is a perspective view of the staple and the lock of FIG. 121, depicting the lock in the locked configuration;
- [0140] FIG. 123 is a perspective view of the staple and the lock of FIG. 121, depicting the lock in a pre-fired position in a staple cavity, and further depicting the lock in the locked configuration;
- [0141] FIG. 124 is a perspective view of the staple and lock of FIG. 121, depicting the lock in a fired position in the staple cavity, and further depicting the lock in an unlocked configuration;
- [0142] FIG. 125 is a perspective view of a fastener cartridge assembly of an end effector assembly according to various embodiments to the present disclosure, depicting locks extending from lock cavities in a cartridge body of the fastener cartridge assembly;
- [0143] FIG. 126 is a cross-sectional view of a lock of FIG. 125, depicting the lock in an unlocked configuration and a connector unsecured to the lock;
- [0144] FIG. 126A is a partial, cross-sectional view of the fastener cartridge assembly of FIG. 125, depicting the cartridge body, a connector, a tissue thickness compensator, and a lock in a partially assembled position;
- [0145] FIG. 127 is a partial, cross-sectional view of the fastener cartridge assembly of FIG. 125, depicting the lock in a locked configuration, depicting an anvil in a clamped position, and depicting a driver key in an unfired position;
- [0146] FIG. 128 is a partial, cross-sectional view of the fastener cartridge assembly of FIG. 125, depicting the lock in a locked configuration, depicting the anvil in the clamped position, and further depicting the driver key in a partially-fired position;
- [0147] FIG. 129 is a partial, cross-sectional view of the fastener cartridge assembly of FIG. 125, depicting the lock in the unlocked configuration, depicting the anvil in the clamped position, and further depicting the driver key in the fired position;
- [0148] FIG. 130 is a cross-sectional view of an end effector of illustrating a firing member in a partially-fired position;



[0149] FIG. 131 is a cross-sectional view of the end effector of FIG. 130 illustrating the support portion being moved away from the partially-implanted tissue thickness compensator;

[0150] FIG. 132 is partial cut-away view of a staple cartridge comprising staple drivers having different heights in accordance with at least one embodiment;

[0151] FIG. 133 is a diagram illustrating the staple drivers of FIG. 132 and staples having different unfired heights supported thereon;

[0152] FIG. 134 is a cross-sectional view of a staple cartridge comprising a tissue thickness compensator and a support portion in accordance with at least one embodiment;

[0153] FIG. 135 is a partial cross-sectional view of a tissue thickness compensator, a staple guide layer, and a staple in an unfired position;

[0154] FIG. 136 is a partial cross-sectional view of a tissue thickness compensator, a staple guide layer, and a staple in an unfired position in accordance with at least one alternative embodiment;

[0155] FIG. 137 is a partial cross-sectional view of a tissue thickness compensator, a staple guide layer, and a staple in an unfired position in accordance with at least one alternative embodiment;

[0156] FIG. 138 is a partial cross-sectional view of a tissue thickness compensator, a staple guide layer, and a staple in an unfired position in accordance with at least one alternative embodiment;

[0157] FIG. 139 is a partial cross-sectional view of a tissue thickness compensator, a staple guide layer, and a staple in an unfired position in accordance with at least one alternative embodiment;

[0158] FIG. 140 is a partial cross-sectional view of a tissue thickness compensator, a staple guide layer, and a staple in an unfired position in accordance with at least one alternative embodiment;

[0159] FIG. 141 is a partial cross-sectional view of a tissue thickness compensator, a staple guide layer, and a staple in an unfired position in accordance with at least one alternative embodiment;

[0160] FIG. 142 is a detail view of a region surrounding a tip of the staple of FIG. 141;

[0161] FIG. 143 is a partial cross-sectional view of a tissue thickness compensator, a staple guide layer, and a staple in an unfired position in accordance with at least one alternative embodiment;

[0162] FIG. 144 is a detail view of a region surrounding a tip of the staple of FIG. 143;

[0163] FIG. 145 is a partial cross-sectional view of a tissue thickness compensator, a staple guide layer, and a staple in an unfired position in accordance with at least one alternative embodiment;

[0164] FIG. 146 is a perspective view of a staple guide layer and a plurality of staples in an unfired position in accordance with at least one alternative embodiment;

[0165] FIG. 147 is an exploded view of a tissue thickness compensator and a staple cartridge body;

[0166] FIG. 148 is an elevational view of a disposable loading unit including a pivotable jaw configured to support a staple cartridge;

[0167] FIG. 149 is a perspective view of a tissue thickness compensator applicator positioned within an effector of a disposable loading unit;

[0168] FIG. 150 is a top perspective view of the tissue thickness compensator applicator of FIG. 149;

[0169] FIG. 151 is a bottom perspective view of the tissue thickness compensator applicator of FIG. 149;

[0170] FIG. 152 is a cross-sectional view of an end effector of a surgical stapling instrument comprising staple drivers having different heights and a contoured deck surface in accordance with at least one embodiment;

[0171] FIG. 153 is a cross-sectional view of an end effector of a surgical stapling instrument comprising staple drivers having different heights and a stepped deck surface in accordance with at least one embodiment;

[0172] FIG. 154 is a diagram illustrating a tissue thickness compensator comprising a varying thickness, staple drivers having different heights, and staples having different unformed heights;

[0173] FIG. 155 is a diagram illustrating the staples and the tissue thickness compensator of FIG. 154 implanted to tissue;

[0174] FIG. 156 is a partial cross-sectional view of a tissue thickness compensator attached to a staple cartridge body;

[0175] FIG. 157 is a partial cross-sectional view of a the tissue thickness compensator and the staple cartridge body of FIG. 156;

[0176] FIG. 158 is a partial exploded view of the tissue thickness compensator of FIG. 156;

[0177] FIG. 159 is a partial exploded view of a tissue thickness compensator, a staple cartridge body, and a firing member;

[0178] FIG. 160 is a partial elevational view of the embodiment of FIG. 159;

[0179] FIG. 161 is a bottom view of a staple cartridge;

[0180] FIG. 162 is a detail bottom view of the staple cartridge of FIG. 161;

[0181] FIG. 163 is an exploded view of a staple cartridge illustrating a staple driver arrangement;

[0182] FIG. 164 is a perspective view of an embodiment of a retainer attached to a staple cartridge and with a layer, such as a tissue thickness compensator, arranged intermediate the retainer and the staple cartridge, wherein the retainer, layer, and staple cartridge are arranged relative to a surgical stapler, and wherein a staple cartridge channel is removed for purposes of illustration;

[0183] FIG. 165 is a perspective view of the retainer of FIG. 164;

[0184] FIG. 166 is a plan view of the retainer, layer, and staple cartridge of FIG. 164;

[0185] FIG. 167 is a cross-sectional view of the retainer, layer, and staple cartridge of FIG. 164, wherein tips of staples extend from staple cavities in the staple cartridge and into the layer;

[0186] FIG. 168 is a perspective view of an embodiment of a retainer, wherein the retainer includes moveable cam portions and locking tabs;

[0187] FIG. 169 is a perspective view of the retainer of FIG. 168 attached to a staple cartridge, wherein the staple cartridge and retainer are positioned for insertion into a staple cartridge channel of an end effector of a surgical stapler;

[0188] FIG. 170 is a plan view of the retainer of FIG. 168 positioned, but not fully inserted, into a cartridge channel of the end effector of the surgical stapler;

[0189] FIG. 171 is a cross-sectional end view of the retainer of FIG. 168 positioned, but not fully inserted, into the staple cartridge channel of FIG. 170;

[0190] FIG. 172 is a plan view of the retainer of FIG. 168 fully inserted in the staple cartridge channel of FIG. 170;

[0191] FIG. 173 is a cross-sectional end view of the retainer of FIG. 168 fully inserted in the staple cartridge channel of FIG. 170, wherein the retainer is unlocked and is being removed from the staple cartridge;

[0192] FIG. 174 is a plan view of an end effector insert in accordance with at least one embodiment;

[0193] FIG. 175 is an elevational view of the end effector insert of FIG. 174;

[0194] FIG. 176 is a perspective view of the end effector insert of FIG. 174;

[0195] FIG. 177 is a partial perspective view of the end effector insert of FIG. 174 depicting the end effector insert engaging the anvil of the end effector of a surgical instrument;

[0196] FIG. 178 is a partial perspective view of the end effector insert of FIG. 174 depicting the end effector insert engaging the staple cartridge of the end effector of a surgical instrument;

[0197] FIG. 179 is an elevational view of the end effector insert of FIG. 174 depicting the end effector insert engaging the end effector of a surgical instrument;

[0198] FIG. 180 is an elevational view of the end effector insert of FIG. 174 positioned in the end effector of a surgical instrument;

[0199] FIG. 181 is a partial perspective view of an embodiment of a staple cartridge assembly that includes a staple-cartridge layer and an anvil-attachable layer positioned relative to a staple cartridge;

[0200] FIG. 182 is a partial perspective view of the staple cartridge assembly of FIG. 181, wherein the anvil-attachable layer is fastened to the staple cartridge;

[0201] FIG. 183 is a partial perspective view of an embodiment of a staple cartridge assembly that includes a staple-cartridge layer and an anvil-attachable layer positioned relative to a staple cartridge, wherein a proximal end portion of the anvil-attachable layer is attached to attachment features of the staple cartridge by an adhesive or by a weld, and

wherein a portion of the anvil-attachable layer is shown as being transparent for purposes of illustration;

[0202] FIG. 184 is a partial perspective view of the staple cartridge assembly of FIG. 183, wherein a corner of the proximal end portion of the anvil-attachable layer is shown detached and lifted away from the staple cartridge;

[0203] FIG. 185 is a partial perspective view of an embodiment of a staple cartridge assembly, that includes a staple cartridge layer and an anvil-attachable layer positioned relative to a staple cartridge, wherein the anvil-attachable layer is attached to the staple cartridge layer;

[0204] FIG. 186 is a detail view of the staple cartridge layer of FIG. 185 and the anvil-attachable layer attached thereto;

[0205] FIG. 187 is a partial plan view of an embodiment of an anvil-attachable layer;

[0206] FIG. 188 is a partial plan view of the anvil-attachable layer of FIG. 187 being cut by a cutting blade;

[0207] FIG. 189 is a plan view of a tissue compensator of a sleeve in accordance with at least one embodiment;

[0208] FIG. 190 is a perspective view of the tissue compensator of FIG. 189;

[0209] FIG. 191 is an elevational view of the tissue compensator of FIG. 189;

[0210] FIG. 192 is a perspective view of a tissue thickness compensator;

[0211] FIG. 193 is a perspective view of the tissue thickness compensator of FIG. 192 attached to a staple cartridge;

[0212] FIG. 194 is a detail view of one tissue thickness compensator of FIG. 192 at least partially overlapped with another tissue thickness compensator of FIG. 192;

[0213] FIG. 195 is a perspective view of a staple cartridge including a tissue thickness compensator attached thereto;

[0214] FIG. 196 is a detail view of one tissue thickness compensator of FIG. 195 at least partially overlapped with another tissue thickness compensator of FIG. 195;

[0215] FIG. 197 is an exploded view of a staple cartridge including a tissue thickness compensator including a plurality of layers;

[0216] FIG. 198 is a cross-sectional diagram illustrating a tissue thickness compensator of FIG. 197 implanted on one side of patient tissue and another tissue thickness compensator of FIG. 197 implanted on the other side of the tissue;

[0217] FIG. 199 is an exploded perspective view of an end effector of a stapling instrument comprising a staple cartridge and a tissue thickness compensator according to various embodiments;

[0218] FIG. 200 is a cross sectional view of the tissue thickness compensator in FIG. 199 according to various embodiments;

[0219] FIG. 201 is a top view of a tissue thickness compensator including a plurality of circular pieces according to various embodiments;

[0220] FIG. 202 is a top view of a tissue thickness compensator including a plurality of circular pieces according to various embodiments;

[0221] FIG. 202A is a cross sectional view of a tissue thickness compensator according to various embodiments;

[0222] FIG. 203 is a top view of a tissue thickness compensator according to various embodiments;

[0223] FIG. 204 is a top view of a tissue thickness compensator including a plurality of hexagonal pieces according to various embodiments;

[0224] FIG. 205 is a top view of a fastened tissue thickness compensator including a plurality of pieces according to various embodiments;

[0225] FIG. 206 is a top view of a tissue thickness compensator including a plurality of slits according to various embodiments;

[0226] FIG. 207A is an exploded view of a staple cartridge and a layer in accordance with at least one embodiment;

[0227] FIG. 207B is a cross-sectional view of a layer and tissue T captured between a staple cartridge and an anvil in accordance with at least one embodiment;

[0228] FIG. 207C is a perspective view of a layer comprising pillar-shaped cleats in accordance with at least one embodiment;

[0229] FIG. 208 is a cross-sectional view of the layer in FIG. 207C;

[0230] FIG. 209 is a perspective view of a layer comprising linear protrusions in accordance with at least one embodiment;

- [0231] FIG. 210 is a cross-sectional view of the layer in FIG. 209;
- [0232] FIG. 211 is a perspective view of a layer comprising dome-shaped protrusions in accordance with at least one embodiment;
- [0233] FIG. 212 is a cross-sectional view of the layer in FIG. 211;
- [0234] FIG. 213 is a perspective view of a layer comprising linear depressions in accordance with at least one embodiment;
- [0235] FIG. 214 is a cross-sectional view of the layer in FIG. 213;
- [0236] FIG. 215 is a perspective view of a layer comprising linear protrusions in accordance with at least one embodiment;
- [0237] FIG. 216 is a cross-sectional view of the layer in FIG. 215;
- [0238] FIG. 217 is a perspective view of a layer comprising linear protrusions in accordance with at least one embodiment;
- [0239] FIG. 218 is a perspective view of a layer comprising cone-shaped protrusions in accordance with at least one embodiment;
- [0240] FIG. 219 is a perspective view of a layer comprising pyramid-shaped protrusions in accordance with at least one embodiment;
- [0241] FIG. 220 is a cross-sectional view of the layer in FIG. 219 in accordance with at least one embodiment;
- [0242] FIG. 221 is a perspective view of a layer in accordance with at least one embodiment;
- [0243] FIG. 222 is a cross-sectional view of the layer in FIG. 221;
- [0244] FIG. 223 is a perspective view of a layer comprising depressions in accordance with at least one embodiment;
- [0245] FIG. 224 is a cross-sectional view of the layer in FIG. 223;
- [0246] FIG. 224A is a cross-sectional view of a layer comprising portions with reduced thickness and tissue T captured between an anvil comprising a plurality of staple forming pockets and a staple cartridge in accordance with at least one embodiment;
- [0247] FIG. 224B is a cross-sectional view of a layer comprising a plurality of protrusions and tissue T captured between an anvil comprising a plurality of staple forming pockets and a staple cartridge in accordance with at least one embodiment;

[0248] FIG. 225 is a perspective cross-sectional view of a layer, such as a tissue thickness compensator, secured to an anvil of an end effector of a surgical instrument in accordance with at least one embodiment;

[0249] FIG. 226 is a cross-sectional view of the layer of FIG. 225 secured to the anvil;

[0250] FIG. 227 is a cross-sectional view of the layer of FIG. 225;

[0251] FIG. 228 is a perspective view of an embodiment of a retainer for use with a staple cartridge;

[0252] FIG. 229 is a perspective view of a staple cartridge assembly that includes the retainer of FIG. 228 engaged with a staple cartridge and an anvil-attachable layer;

[0253] FIG. 230 is a plan view of the staple cartridge assembly of FIG. 229;

[0254] FIG. 231 is a cross-sectional end view of the staple cartridge assembly of FIG. 229, wherein the staple cartridge assembly is inserted into a staple cartridge channel of an end effector and an anvil of the end effector is positioned relative thereto;

[0255] FIG. 232 is a cross-sectional end view of the staple cartridge assembly and end effector shown in FIG. 231, wherein the anvil is pressed against the anvil-attachable layer and the retainer;

[0256] FIG. 233 is a cross-sectional plan view of the staple cartridge assembly and end effector shown in FIG. 231, wherein the anvil has been lifted from the retainer, removing the attached anvil-attachable layer from the retainer;

[0257] FIG. 234 is a cross-sectional plan view of the end effector shown in FIG. 231, wherein the anvil-attachable layer is attached to the anvil and the retainer has been removed;

[0258] FIG. 235 is a perspective view of an embodiment of an anvil-attachable layer in accordance with at least one embodiment;

[0259] FIG. 236 is a perspective view of an embodiment of an anvil-attachable layer in accordance with at least one embodiment;

[0260] FIG. 237 is a perspective view of an embodiment of an anvil-attachable layer in accordance with at least one embodiment;

[0261] FIG. 238 is a perspective view of an embodiment of an anvil-attachable layer with deployable attachment features, wherein the deployable attachment features are in an undeployed configuration;



[0262] FIG. 239 is a perspective view of the anvil-attachable layer of FIG. 238, wherein the deployable attachment features are shown in a deployed configuration;

[0263] FIG. 240 is a cross-sectional plan view of the anvil-attachable layer of FIG. 238 positioned relative to an anvil of an end effector, wherein the deployable attachment features are deployed in a slot of the anvil;

[0264] FIG. 241 is a perspective view of an embodiment of an anvil-attachable layer with deployable attachment features, wherein the deployable attachment features are in an undeployed configuration;

[0265] FIG. 242 is a perspective view of the anvil-attachable layer of FIG. 241, wherein the deployable attachment features are shown in a deployed configuration;

[0266] FIG. 243 is a cross-sectional plan view of the anvil-attachable layer of FIG. 241 positioned relative to an anvil of an end effector, wherein the deployable attachment features are deployed in a slot of the anvil;

[0267] FIG. 244 is an exploded perspective view of an anvil and a tissue thickness compensator in accordance with at least one embodiment;

[0268] FIG. 245 is a cross-sectional plan view of an anvil comprising a plurality of staple forming pockets and an anvil-attachable layer, such as a tissue thickness compensator, comprising a plurality of capsules aligned with the forming pockets in accordance with at least one embodiment;

[0269] FIG. 246 is a detail view of the capsules of the anvil-attachable layer of FIG. 245;

[0270] FIG. 247 is a diagram illustrating the anvil and the anvil-attachable layer of FIG. 245 positioned relative to tissue which is to be stapled by staples from a staple cartridge positioned on the opposite side of the tissue;

[0271] FIG. 248 is a diagram illustrating the anvil of FIG. 245 moved toward the staple cartridge of FIG. 247 and staples partially fired from the staple cartridge;

[0272] FIG. 249 is a cross-sectional view of an embodiment of an anvil-attachable layer arranged relative to an anvil and patient tissue, wherein staples of a staple cartridge are fired through the layer and the patient tissue;

[0273] FIG. 250 is a cross-sectional view of an embodiment of an anvil-attachable layer positioned relative to an anvil and patient tissue, wherein staples of a staple cartridge are fired through the layer and the patient tissue;

[0274] FIG. 251 illustrates a retainer assembly being inserted into a surgical instrument, wherein the surgical instrument comprises an anvil and a staple cartridge channel, and wherein a portion of the insertion tool is removed for the purposes of illustration;

[0275] FIG. 252 illustrates the retainer assembly of FIG. 251 being inserted into the surgical instrument, wherein a portion of the insertion tool is removed for the purposes of illustration;

[0276] FIG. 253 illustrates the insertion tool of FIG. 251 being moved relative to the retainer to engage the staple cartridge in the staple cartridge channel and to engage an anvil-attachable layer, such as a tissue thickness compensator, with the anvil, wherein a portion of the insertion tool is removed for the purposes of illustration;

[0277] FIG. 254 illustrates the insertion tool of FIG. 251 being moved relative to the retainer to disengage the retainer from the anvil-attachable layer and from the staple cartridge, wherein a portion of the insertion tool is removed for the purposes of illustration;

[0278] FIG. 255 is a perspective view of an embodiment of a retainer engaged with a staple cartridge, wherein an anvil-attachable layer having deployable attachment features engaged with the retainer, and wherein the retainer is positioned for insertion into an end effector;

[0279] FIG. 256 is a perspective view of the retainer of FIG. 255;

[0280] FIG. 257 is an elevational view of the retainer of FIG. 255;

[0281] FIG. 258 is an elevational view of the retainer, staple cartridge and anvil-attachable layer of FIG. 255 inserted into an end effector, wherein the deployable attachment features of the anvil-attachable layer are deployed, and wherein portions of the anvil and the anvil-attachable layer are removed for purposes of illustration;

[0282] FIG. 259 is an elevational view of an embodiment of a retainer inserted in an end effector, wherein an anvil-attachable layer with deployable attachment features is arranged on the retainer, and wherein portions of the retainer, the anvil-attachable layer, and the anvil are removed for purposes of illustration;

[0283] FIG. 260 is an elevational view of the retainer of FIG. 259, wherein the retainer has deployed the deployable attachment features of the anvil-attachable layer, and wherein portions of the retainer, the anvil-attachable layer, and the anvil are removed for purposes of illustration;

[0284] FIG. 261 is a detail elevational view of the retainer, anvil-attachable layer, and anvil of FIG. 259, wherein the deployable attachment features are not deployed, and wherein portions of the retainer, anvil-attachable layer, and anvil are removed for purposes of illustration;

[0285] FIG. 262 is a detail elevational view of the retainer, anvil-attachable layer, and anvil of FIG. 259, wherein the deployable attachment features are deployed into a slot in the anvil, and wherein portions of the retainer, anvil-attachable layer, and anvil are removed for purposes of illustration;

[0286] FIG. 263 illustrates a tissue thickness compensator comprising a flowable attachment portion according to certain non-limiting embodiments;

[0287] FIG. 264 illustrates a pressure sensitive adhesive laminate in an unstressed position aligned with a slot in the staple cartridge according to certain non-limiting embodiments;

[0288] FIG. 265 illustrates the pressure sensitive adhesive laminate in FIG. 264 releasably attached to a staple cartridge according to certain non-limiting embodiments;

[0289] FIG. 266 illustrates a tissue thickness compensator comprising a flowable attachment portion according to certain non-limiting embodiments;

[0290] FIG. 267 illustrates a pressure sensitive adhesive laminate in an unstressed position aligned with staple cavities in the staple cartridge according to certain non-limiting embodiments;

[0291] FIG. 268 illustrates the pressure sensitive adhesive laminate in FIG. 267 releasably attached to a staple cartridge according to certain non-limiting embodiments;

[0292] FIGS. 269-273 illustrate a pressure sensitive adhesive laminate comprising an adhesive tab according to certain non-limiting embodiments;

[0293] FIGS. 274-279 illustrate a pressure sensitive adhesive laminate comprising an adhesive tab according to certain non-limiting embodiments;

[0294] FIGS. 280-283 illustrate a pressure sensitive adhesive laminate comprising tabs to releasably attach to an anvil according to certain non-limiting embodiments;

[0295] FIGS. 284-288 illustrate a pressure sensitive adhesive laminate releasably attached to an anvil using an applicator according to certain non-limiting embodiments;

[0296] FIGS. 289-292 illustrate a pressure sensitive adhesive laminate releasably attached to an anvil according to certain non-limiting embodiments;

[0297] FIG. 293 is a perspective view of an end effector of a surgical stapling instrument including an implantable transition portion extending from the anvil and an implantable transition portion extending from the staple cartridge; and

[0298] FIG. 294 is a diagram depicting tissue positioned between the anvil and the staple cartridge of the surgical stapling instrument of FIG. 293.

[0299] Corresponding reference characters indicate corresponding parts throughout the several views. The exemplifications set out herein illustrate certain embodiments of the invention, in one form, and such exemplifications are not to be construed as limiting the scope of the invention in any manner.

#### DETAILED DESCRIPTION

[0300] The Applicant of the present application also owns the U.S. Patent Applications identified below which are each herein incorporated by reference in their respective entirety:

U.S. Patent Application Serial No. 12/894,311, entitled SURGICAL INSTRUMENTS WITH RECONFIGURABLE SHAFT SEGMENTS, now U.S. Patent Publication No. 2012/0080496;

U.S. Patent Application Serial No. 12/894,340, entitled SURGICAL STAPLE CARTRIDGES SUPPORTING NON-LINEARLY ARRANGED STAPLES AND SURGICAL STAPLING INSTRUMENTS WITH COMMON STAPLE-FORMING POCKETS, now U.S. Patent Publication No. 2012/0080482;

U.S. Patent Application Serial No. 12/894,327, entitled JAW CLOSURE ARRANGEMENTS FOR SURGICAL INSTRUMENTS, now U.S. Patent Publication No. 2012/0080499;

U.S. Patent Application Serial No. 12/894,351, entitled SURGICAL CUTTING AND FASTENING INSTRUMENTS WITH SEPARATE AND DISTINCT FASTENER DEPLOYMENT AND TISSUE CUTTING SYSTEMS, now U.S. Patent Publication No. 2012/0080502;

U.S. Patent Application Serial No. 12/894,338, entitled IMPLANTABLE FASTENER CARTRIDGE HAVING A NON-UNIFORM ARRANGEMENT, now U.S. Patent Publication No. 2012/0080481;

U.S. Patent Application Serial No. 12/894,369, entitled IMPLANTABLE FASTENER CARTRIDGE COMPRISING A SUPPORT RETAINER, now U.S. Patent Publication No. 2012/0080344;

U.S. Patent Application Serial No. 12/894,312, entitled IMPLANTABLE FASTENER CARTRIDGE COMPRISING MULTIPLE LAYERS, now U.S. Patent Publication No. 2012/0080479;

U.S. Patent Application Serial No. 12/894,377, entitled SELECTIVELY ORIENTABLE IMPLANTABLE FASTENER CARTRIDGE, now U.S. Patent Publication No. 2012/0080334;

U.S. Patent Application Serial No. 12/894,339, entitled SURGICAL STAPLING INSTRUMENT WITH COMPACT ARTICULATION CONTROL ARRANGEMENT, now U.S. Patent Publication No. 2012/0080500;

U.S. Patent Application Serial No. 12/894,360, entitled SURGICAL STAPLING INSTRUMENT WITH A VARIABLE STAPLE FORMING SYSTEM, now U.S. Patent Publication No. 2012/0080484;

U.S. Patent Application Serial No. 12/894,322, entitled SURGICAL STAPLING INSTRUMENT WITH INTERCHANGEABLE STAPLE CARTRIDGE ARRANGEMENTS, now U.S. Patent Publication No. 2012/0080501;

U.S. Patent Application Serial No. 12/894,350, entitled SURGICAL STAPLE CARTRIDGES WITH DETACHABLE SUPPORT STRUCTURES AND SURGICAL STAPLING INSTRUMENTS WITH SYSTEMS FOR PREVENTING ACTUATION MOTIONS WHEN A CARTRIDGE IS NOT PRESENT, now U.S. Patent Publication No. 2012/0080478;

U.S. Patent Application Serial No. 12/894,383, entitled IMPLANTABLE FASTENER CARTRIDGE COMPRISING BIOABSORBABLE LAYERS, now U.S. Patent Publication No. 2012/0080345;

U.S. Patent Application Serial No. 12/894,389, entitled COMPRESSIBLE FASTENER CARTRIDGE, now U.S. Patent Publication No. 2012/0080335;

U.S. Patent Application Serial No. 12/894,345, entitled FASTENERS SUPPORTED BY A FASTENER CARTRIDGE SUPPORT, now U.S. Patent Publication No. 2012/0080483;

U.S. Patent Application Serial No. 12/894,306, entitled COLLAPSIBLE FASTENER CARTRIDGE, now U.S. Patent Publication No. 2012/0080332;

U.S. Patent Application Serial No. 12/894,318, entitled FASTENER SYSTEM COMPRISING A PLURALITY OF CONNECTED RETENTION MATRIX ELEMENTS, now U.S. Patent Publication No. 2012/0080480;

U.S. Patent Application Serial No. 12/894,330, entitled FASTENER SYSTEM COMPRISING A RETENTION MATRIX AND AN ALIGNMENT MATRIX, now U.S. Patent Publication No. 2012/0080503;

U.S. Patent Application Serial No. 12/894,361, entitled FASTENER SYSTEM COMPRISING A RETENTION MATRIX, now U.S. Patent Publication No. 2012/0080333;

U.S. Patent Application Serial No. 12/894,367, entitled FASTENING INSTRUMENT FOR DEPLOYING A FASTENER SYSTEM COMPRISING A RETENTION MATRIX, now U.S. Patent Publication No. 2012/0080485;

U.S. Patent Application Serial No. 12/894,388, entitled FASTENER SYSTEM COMPRISING A RETENTION MATRIX AND A COVER, now U.S. Patent Publication No. 2012/0080487;

U.S. Patent Application Serial No. 12/894,376, entitled FASTENER SYSTEM COMPRISING A PLURALITY OF FASTENER CARTRIDGES, now U.S. Patent Publication No. 2012/0080486;

U.S. Patent Application Serial No. 13/097,865, entitled SURGICAL STAPLER ANVIL COMPRISING A PLURALITY OF FORMING POCKETS, now U.S. Patent Publication No. 2012/0080488;

U.S. Patent Application Serial No. 13/097,936, entitled TISSUE THICKNESS COMPENSATOR FOR A SURGICAL STAPLER, now U.S. Patent Publication No. 2012/0080339;

U.S. Patent Application Serial No. 13/097,954, entitled STAPLE CARTRIDGE COMPRISING A VARIABLE THICKNESS COMPRESSIBLE PORTION, now U.S. Patent Publication No. 2012/0080340;

U.S. Patent Application Serial No. 13/097,856, entitled STAPLE CARTRIDGE COMPRISING STAPLES POSITIONED WITHIN A COMPRESSIBLE PORTION THEREOF, now U.S. Patent Publication No. 2012/0080336;

U.S. Patent Application Serial No. 13/097,928, entitled TISSUE THICKNESS COMPENSATOR COMPRISING DETACHABLE PORTIONS, now U.S. Patent Publication No. 2012/0080490;

U.S. Patent Application Serial No. 13/097,891, entitled TISSUE THICKNESS COMPENSATOR FOR A SURGICAL STAPLER COMPRISING AN ADJUSTABLE ANVIL, now U.S. Patent Publication No. 2012/0080489;

U.S. Patent Application Serial No. 13/097,948, entitled STAPLE CARTRIDGE COMPRISING AN ADJUSTABLE DISTAL PORTION, now U.S. Patent Publication No. 2012/0083836;

U.S. Patent Application Serial No. 13/097,907, entitled COMPRESSIBLE STAPLE CARTRIDGE ASSEMBLY, now U.S. Patent Publication No. 2012/0080338;

U.S. Patent Application Serial No. 13/097,861, entitled TISSUE THICKNESS COMPENSATOR COMPRISING PORTIONS HAVING DIFFERENT PROPERTIES, now U.S. Patent Publication No. 2012/0080337;

U.S. Patent Application Serial No. 13/097,869, entitled STAPLE CARTRIDGE LOADING ASSEMBLY, now U.S. Patent Publication No. 2012/0160721;

U.S. Patent Application Serial No. 13/097,917, entitled COMPRESSIBLE STAPLE CARTRIDGE COMPRISING ALIGNMENT MEMBERS, now U.S. Patent Publication No. 2012/0083834;

U.S. Patent Application Serial No. 13/097,873, entitled STAPLE CARTRIDGE COMPRISING A RELEASABLE PORTION, now U.S. Patent Publication No. 2012/0083833;

U.S. Patent Application Serial No. 13/097,938, entitled STAPLE CARTRIDGE COMPRISING COMPRESSIBLE DISTORTION RESISTANT COMPONENTS, now U.S. Patent Publication No. 2012/0080491;

U.S. Patent Application Serial No. 13/097,924, entitled STAPLE CARTRIDGE COMPRISING A TISSUE THICKNESS COMPENSATOR, now U.S. Patent Publication No. 2012/0083835;

U.S. Patent Application Serial No. 13/242,029, entitled SURGICAL STAPLER WITH FLOATING ANVIL, now U.S. Patent Publication No. 2012/0080493;

U.S. Patent Application Serial No. 13/242,066, entitled CURVED END EFFECTOR FOR A STAPLING INSTRUMENT, now U.S. Patent Publication No. 2012/0080498;

U.S. Patent Application Serial No. 13/242,086, entitled STAPLE CARTRIDGE INCLUDING COLLAPSIBLE DECK;

U.S. Patent Application Serial No. 13/241,912, entitled STAPLE CARTRIDGE INCLUDING COLLAPSIBLE DECK ARRANGEMENT;

U.S. Patent Application Serial No. 13/241,922, entitled SURGICAL STAPLER WITH STATIONARY STAPLE DRIVERS;

U.S. Patent Application Serial No. 13/241,637, entitled SURGICAL INSTRUMENT WITH TRIGGER ASSEMBLY FOR GENERATING MULTIPLE ACTUATION MOTIONS, now U.S. Patent Publication No. 2012/0074201;

U.S. Patent Application Serial No. 13/241,629, entitled SURGICAL INSTRUMENT WITH SELECTIVELY ARTICULATABLE END EFFECTOR, now U.S. Patent Publication No. 2012/0074200;

U.S. Application Serial No. 13/433,096, entitled TISSUE THICKNESS COMPENSATOR COMPRISING A PLURALITY OF CAPSULES, now U.S. Patent Publication No. 2012/0241496;

U.S. Application Serial No. 13/433,103, entitled TISSUE THICKNESS COMPENSATOR COMPRISING A PLURALITY OF LAYERS, now U.S. Patent Publication No. 2012/0241498;

U.S. Application Serial No. 13/433,098, entitled EXPANDABLE TISSUE THICKNESS COMPENSATOR, now U.S. Patent Publication No. 2012/0241491;

U.S. Application Serial No. 13/433,102, entitled TISSUE THICKNESS COMPENSATOR COMPRISING A RESERVOIR, now U.S. Patent Publication No. 2012/0241497;

U.S. Application Serial No. 13/433,114, entitled RETAINER ASSEMBLY INCLUDING A TISSUE THICKNESS COMPENSATOR, now U.S. Patent Publication No. 2012/0241499;



U.S. Application Serial No. 12/433,136, entitled TISSUE THICKNESS COMPENSATOR COMPRISING AT LEAST ONE MEDICAMENT, now U.S. Patent Publication No. 2012/0241492;

U.S. Application Serial No. 13/433,141, entitled TISSUE THICKNESS COMPENSATOR COMPRISING CONTROLLED RELEASE AND EXPANSION, now U.S. Patent Publication No. 2012/0241493;

U.S. Application Serial No. 13/433,144, entitled TISSUE THICKNESS COMPENSATOR COMPRISING FIBERS TO PRODUCE A RESILIENT LOAD, now U.S. Patent Publication No. 2012/0241500;

U.S. Application Serial No. 13/433,148, entitled TISSUE THICKNESS COMPENSATOR COMPRISING STRUCTURE TO PRODUCE A RESILIENT LOAD, now U.S. Patent Publication No. 2012/0241501;

U.S. Application Serial No. 13/433,155, entitled TISSUE THICKNESS COMPENSATOR COMPRISING RESILIENT MEMBERS, now U.S. Patent Publication No. 2012/0241502;

U.S. Application Serial No. 13/433,163, entitled METHODS FOR FORMING TISSUE THICKNESS COMPENSATOR ARRANGEMENTS FOR SURGICAL STAPLERS, now U.S. Patent Publication No. 2012/0248169;

U.S. Application Serial No. 13/433,167, entitled TISSUE THICKNESS COMPENSATORS, now U.S. Patent Publication No. 2012/0241503;

U.S. Application Serial No. 13/433,175, entitled LAYERED TISSUE THICKNESS COMPENSATOR, now U.S. Patent Publication No. 2012/0253298;

U.S. Application Serial No. 13/433,179, entitled TISSUE THICKNESS COMPENSATORS FOR CIRCULAR SURGICAL STAPLERS, now U.S. Patent Publication No. 2012/0241505;

U.S. Application Serial No. 13/433,115, entitled TISSUE THICKNESS COMPENSATOR COMPRISING CAPSULES DEFINING A LOW PRESSURE ENVIRONMENT;

U.S. Application Serial No. 13/433,118, entitled TISSUE THICKNESS COMPENSATOR COMPRISED OF A PLURALITY OF MATERIALS;

U.S. Application Serial No. 13/433,135, entitled MOVABLE MEMBER FOR USE WITH A TISSUE THICKNESS COMPENSATOR;

U.S. Application Serial No. 13/433,140, entitled TISSUE THICKNESS COMPENSATOR AND METHOD FOR MAKING THE SAME;

U.S. Application Serial No. 13/433,147, entitled TISSUE THICKNESS COMPENSATOR COMPRISING CHANNELS;

U.S. Application Serial No. 13/433,126, entitled TISSUE THICKNESS COMPENSATOR COMPRISING TISSUE INGROWTH FEATURES;

U.S. Application Serial No. 13/433,132, entitled DEVICES AND METHODS FOR ATTACHING TISSUE THICKNESS COMPENSATING MATERIALS TO SURGICAL STAPLING INSTRUMENTS; and

U.S. Application Serial No. 13/433,129, entitled TISSUE THICKNESS COMPENSATOR COMPRISING A PLURALITY OF MEDICAMENTS.

[0301] The Applicant of the present application also owns the U.S. Patent Applications identified below which are each herein incorporated by reference in their respective entirety:

U.S. Application Serial No. 11/216,562, entitled STAPLE CARTRIDGES FOR FORMING STAPLES HAVING DIFFERING FORMED STAPLE HEIGHTS, now U.S. Patent No. 7,669,746;

U.S. Application Serial No. 11/714,049, entitled SURGICAL STAPLING DEVICE WITH ANVIL HAVING STAPLE FORMING POCKETS OF VARYING DEPTHS, now U.S. Patent Publication No. 2007/0194082;

U.S. Application Serial No. 11/711,979, entitled SURGICAL STAPLING DEVICES THAT PRODUCE FORMED STAPLES HAVING DIFFERENT LENGTHS, now U.S. Patent No. 8,317,070;

U.S. Application Serial No. 11/711,975, entitled SURGICAL STAPLING DEVICE WITH STAPLE DRIVERS OF DIFFERENT HEIGHT, now U.S. Patent Publication No. 2007/0194079;

U.S. Application Serial No. 11/711,977, entitled SURGICAL STAPLING DEVICE WITH STAPLE DRIVER THAT SUPPORTS MULTIPLE WIRE DIAMETER STAPLES, now U.S. Patent No. 7,673,781;

U.S. Application Serial No. 11/712,315, entitled SURGICAL STAPLING DEVICE WITH MULTIPLE STACKED ACTUATOR WEDGE CAMS FOR DRIVING STAPLE DRIVERS, now U.S. Patent No. 7,500,979;

U.S. Application Serial No. 12/038,939, entitled STAPLE CARTRIDGES FOR FORMING STAPLES HAVING DIFFERING FORMED STAPLE HEIGHTS, now U.S. Patent No. 7,934,630;

U.S. Application Serial No. 13/020,263, entitled SURGICAL STAPLING SYSTEMS THAT PRODUCE FORMED STAPLES HAVING DIFFERENT LENGTHS, now U.S. Patent Publication No. 2011/0147434;

U.S. Application Serial No. 13/118,278, entitled ROBOTICALLY-CONTROLLED SURGICAL STAPLING DEVICES THAT PRODUCE FORMED STAPLES HAVING DIFFERENT LENGTHS, now U.S. Patent Publication No. 2011/0290851;

U.S. Application Serial No. 13/369,629, entitled ROBOTICALLY-CONTROLLED CABLE-BASED SURGICAL END EFFECTORS, now U.S. Patent Publication No. 2012/0138660;

U.S. Application Serial No. 12/695,359, entitled SURGICAL STAPLING DEVICES FOR FORMING STAPLES WITH DIFFERENT FORMED HEIGHTS, now U.S. Patent Publication No. 2010/0127042; and

U.S. Application Serial No. 13/072,923, entitled STAPLE CARTRIDGES FOR FORMING STAPLES HAVING DIFFERING FORMED STAPLE HEIGHTS, now U.S. Patent Publication No. 2011/0174863.

**[0302]** The Applicant of the present application also owns the U.S. Patent Applications identified below which were filed on even date herewith and which are each herein incorporated by reference in their respective entirety:

U.S. Application Serial No. \_\_\_\_\_, entitled SURGICAL STAPLING CARTRIDGE WITH LAYER RETENTION FEATURES, (Attorney Docket No. END7104USCIP1/110606CIP1);

U.S. Application Serial No. \_\_\_\_\_, entitled ADHESIVE FILM LAMINATE, (Attorney Docket No. END6843USCIP19/100528CP19);

U.S. Application Serial No. \_\_\_\_\_, entitled ACTUATOR FOR  
RELEASING A TISSUE THICKNESS COMPENSATOR FROM A FASTENER  
CARTRIDGE, (Attorney Docket No. END6848USCIP2/100533CIP2);

U.S. Application Serial No. \_\_\_\_\_, entitled RELEASABLE TISSUE  
THICKNESS COMPENSATOR AND FASTENER CARTRIDGE HAVING THE SAME,  
(Attorney Docket No. END6848USCIP3/100533CIP3);

U.S. Application Serial No. \_\_\_\_\_, entitled FASTENER CARTRIDGE  
COMPRISING A RELEASABLE TISSUE THICKNESS COMPENSATOR, (Attorney Docket  
No. END6848USCIP4/100533CIP4);

U.S. Application Serial No. \_\_\_\_\_, entitled FASTENER CARTRIDGE  
COMPRISING A CUTTING MEMBER FOR RELEASING A TISSUE THICKNESS  
COMPENSATOR, (Attorney Docket No. END6848USCIP5/100533CIP5);

U.S. Application Serial No. \_\_\_\_\_, entitled FASTENER CARTRIDGE  
COMPRISING A RELEASABLY ATTACHED TISSUE THICKNESS COMPENSATOR,  
(Attorney Docket No. END6848USCIP6/100533CIP6);

U.S. Application Serial No. \_\_\_\_\_, entitled STAPLE CARTRIDGE  
COMPRISING A RELEASABLE COVER, (Attorney Docket No. END7201USNP/120294);

U.S. Application Serial No. \_\_\_\_\_, entitled ANVIL LAYER ATTACHED  
TO A PROXIMAL END OF AN END EFFECTOR, (Attorney Docket No.  
END7102USCIP2/110604CIP2);

U.S. Application Serial No. \_\_\_\_\_, entitled LAYER COMPRISING  
DEPLOYABLE ATTACHMENT MEMBERS, (Attorney Docket No.  
END7102USCIP3/110604CIP3);

U.S. Application Serial No. \_\_\_\_\_, entitled LAYER ARRANGEMENTS  
FOR SURGICAL STAPLE CARTRIDGES, (Attorney Docket No.  
END6232USCIP1/070348CIP1);

U.S. Application Serial No. \_\_\_\_\_, entitled IMPLANTABLE  
ARRANGEMENTS FOR SURGICAL STAPLE CARTRIDGES, (Attorney Docket No.  
END6232USCIP2/070348CIP2);

U.S. Application Serial No. \_\_\_\_\_, entitled MULTIPLE THICKNESS IMPLANTABLE LAYERS FOR SURGICAL STAPLING DEVICES, (Attorney Docket No. END6840USCIP2/100525CIP2);

U.S. Application Serial No. \_\_\_\_\_, entitled RELEASABLE LAYER OF MATERIAL AND SURGICAL END EFFECTOR HAVING THE SAME, (Attorney Docket No. END6232USCIP3/070348CIP3);

U.S. Application Serial No. \_\_\_\_\_, entitled ACTUATOR FOR RELEASING A LAYER OF MATERIAL FROM A SURGICAL END EFFECTOR, (Attorney Docket No. END6232USCIP4/070348CIP4); and

U.S. Application Serial No. \_\_\_\_\_, entitled STAPLE CARTRIDGE COMPRISING A COMPRESSIBLE PORTION, (Attorney Docket No. END7200USNP/120302).

**[0303]** Certain exemplary embodiments will now be described to provide an overall understanding of the principles of the structure, function, manufacture, and use of the devices and methods disclosed herein. One or more examples of these embodiments are illustrated in the accompanying drawings. Those of ordinary skill in the art will understand that the devices and methods specifically described herein and illustrated in the accompanying drawings are non-limiting exemplary embodiments and that the scope of the various embodiments of the present invention is defined solely by the claims. The features illustrated or described in connection with one exemplary embodiment may be combined with the features of other embodiments. Such modifications and variations are intended to be included within the scope of the present invention.

**[0304]** Reference throughout the specification to “various embodiments,” “some embodiments,” “one embodiment,” or “an embodiment”, or the like, means that a particular feature, structure, or characteristic described in connection with the embodiment is included in at least one embodiment. Thus, appearances of the phrases “in various embodiments,” “in some embodiments,” “in one embodiment”, or “in an embodiment”, or the like, in places throughout the specification are not necessarily all referring to the same embodiment. Furthermore, the particular features, structures, or characteristics may be combined in any suitable manner in one or more embodiments. Thus, the particular features, structures, or characteristics illustrated or described in connection with one

embodiment may be combined, in whole or in part, with the features structures, or characteristics of one or more other embodiments without limitation. Such modifications and variations are intended to be included within the scope of the present invention.

**[0305]** The terms “proximal” and “distal” are used herein with reference to a clinician manipulating the handle portion of the surgical instrument. The term “proximal” referring to the portion closest to the clinician and the term “distal” referring to the portion located away from the clinician. It will be further appreciated that, for convenience and clarity, spatial terms such as “vertical”, “horizontal”, “up”, and “down” may be used herein with respect to the drawings. However, surgical instruments are used in many orientations and positions, and these terms are not intended to be limiting and/or absolute.

**[0306]** Various exemplary devices and methods are provided for performing laparoscopic and minimally invasive surgical procedures. However, the person of ordinary skill in the art will readily appreciate that the various methods and devices disclosed herein can be used in numerous surgical procedures and applications including, for example, in connection with open surgical procedures. As the present Detailed Description proceeds, those of ordinary skill in the art will further appreciate that the various instruments disclosed herein can be inserted into a body in any way, such as through a natural orifice, through an incision or puncture hole formed in tissue, etc. The working portions or end effector portions of the instruments can be inserted directly into a patient's body or can be inserted through an access device that has a working channel through which the end effector and elongated shaft of a surgical instrument can be advanced.

**[0307]** In FIGS. 1 and 2, a surgical stapling and severing instrument 8010 can comprise an anvil 8014 which may be repeatably opened and closed about its pivotal attachment to an elongate staple channel 8016. A staple applying assembly 8012 can comprise the anvil 8014 and the channel 8016, wherein the assembly 8012 can be proximally attached to the elongate shaft 8018 forming an implement portion 8022. When the staple applying assembly 8012 is closed, or at least substantially closed, the implement portion 8022 can present a sufficiently small cross-section suitable for inserting the staple applying assembly 8012 through a trocar. In various embodiments, the assembly 8012 can be manipulated by a handle 8020 connected to the shaft 8018. The handle 8020 can comprise user controls such as a rotation knob 8030 that rotates the elongate shaft 8018

and staple applying assembly 8012 about a longitudinal axis of the shaft 8018. A closure trigger 8026, which can pivot in front of a pistol grip 8036 about a closure trigger pin 8152 (FIG. 3) engaged laterally across the handle housing 8154, can be depressed to close the staple applying assembly 8012. In various embodiments, a closure release button 8038 can be outwardly presented on the handle 8020 when the closure trigger 8026 is clamped such that the release button 8038 can be depressed to unclamp the closure trigger 8026 and open the staple applying assembly 8012, as described in greater detail below. A firing trigger 8034, which can pivot in front of the closure trigger 8026, can cause the staple applying assembly 8012 to simultaneously sever and staple tissue clamped therein. In various circumstances, as described in greater detail below, multiple firing strokes can be employed using the firing trigger 8034 to reduce the amount of force required to be applied by the surgeon's hand per stroke. In certain embodiments, the handle 8020 can comprise rotatable right and/or left indicator wheels 8040, 8041 (FIG. 3) which can indicate the firing progress. For instance, full firing travel may require three full firing strokes of firing trigger 8034 and thus the indicator wheels 8040, 8041 can rotate up to one-third of a revolution each per stroke of firing trigger 8034. As described in greater detail below, a manual firing release lever 8042 can allow the firing system to be retracted before full firing travel has been completed, if desired, and, in addition, the firing release lever 8042 can allow a surgeon, or other clinician, to retract the firing system in the event that the firing system binds and/or fails.

**[0308]** With reference to FIGS. 1 and 3, the elongate shaft 8018 can comprise an outer structure including a longitudinally reciprocating closure tube 8024 that pivots the anvil 8014 toward its close position in response to the proximal depression of the closure trigger 8026 of handle 8020. The elongate channel 8018 can be connected to the handle 8020 by a frame 8028 (FIG. 3) that is internal to the closure tube 8024. The frame 8028 can be rotatably engaged to the handle 8020 so that the rotation of the rotation knob 8030 (FIG. 1) can rotate the implement portion 8022. With particular reference to FIG. 3, the rotation knob 8030 can be comprised of two half-shells which can include one or more inward projections 8031 that can extend through one or more elongate side openings 8070 in the closure tube 8024 and engage the frame 8028. As a result of the above, the rotation knob 8030 and the frame 8028 can be rotated together, or synchronously, such that the rotated

position of knob 8030 determines the rotated position of the implement portion 8022. In various embodiments, the longitudinal length of the longer opening 8070 is sufficiently long to allow the longitudinal closure motion, and opening motion, of the closure tube 8024. With regard to generating the closure motion of closure tube 8024, referring primarily to FIGS. 3 and 5, an upper portion 8160 of the closure trigger 8026 can push forward a closure yoke 8162 (FIG. 4) via a closure link 8164. The closure link 8164 is pivotally attached at its distal end by a closure yoke pin 8166 to the closure yoke 8162 and is pivotally attached at its proximal end by a closure link pin 8168. In various embodiments, the closure trigger 8026 can be urged to an open position by a closure trigger tension spring 8246 that is connected proximally to the upper portion 8160 of the closure trigger 8026 and a handle housing 8154 formed by right and left half shells 8156, 8158. The tension force applied by the tension spring 8246 can be overcome by a closing force applied to the closure trigger 8026 in order to advance the yoke 8162, closure link 8164, and the closure tube 8024 distally.

**[0309]** As the closure trigger 8026 is actuated, or depressed, as described above, the closure release button 8038 can be positioned such that the surgeon, or other clinician, can push the closure release button 8038, if desired, and allow the closure trigger 8026, and the rest of the surgical instrument, to return to an unactuated state. In various embodiments, the closure release button 8038 can be connected to a pivoting locking arm 8172 by a central lateral pivot 8173 such that motion can be transferred between the release button 8038 and the locking arm 8172. Referring again to FIG. 3, a compression spring 8174 can bias the closure release button 8038 proximally, i.e., clockwise about the central lateral pivot 8173 as viewed from the right and the upper portion 8160 of the closure trigger 8026 can include a proximal crest 8170 with an aft notch 8171. As the closure trigger 8026 is depressed, the pivoting locking arm 8172 can ride upon the proximal crest 8170 and when the closure trigger 8026 reaches its fully depressed position, it should be appreciated that the aft notch 8171 is presented below the pivoting locking arm 8172 which drops into and locks against the aft notch 8171 under the urging of the compression spring 8174. At such point, manual depression of the closure release button 8038 rotates the pivoting locking arm 8172 upward and out of aft notch 8171 thereby unlocking the closure trigger 8026 and allowing the closure trigger 8026 to be



returned to its unclamped position.

**[0310]** Once the closure trigger 8026 is proximally clamped, as discussed above, the firing trigger 8034 can be drawn toward the pistol grip 8036 in order to advance a firing rod 8032 distally from the handle 8020. In various embodiments, the firing trigger 8034 can pivot about a firing trigger pin 8202 that laterally traverses and is engaged with the right and left half shells 8156, 8158 of the handle 8020. The firing trigger 8034, when actuated, can advance a linked transmission firing mechanism 8150. The linked transmission firing mechanism 8150 can be urged into a retracted, unfired, position by a spring 8184 that is, one, attached to the pistol grip 8036 of the handle 8020 and, two, attached to one of the links, for example, of the linked transmission firing mechanism 8150 as described in greater detail below. The spring 8184 can comprise a nonmoving end 8186 connected to the housing 8154 and a moving end 8188 connected to a proximal end 8190 of a steel band 8192. A distally-disposed end 8194 of the steel band 8192 can be attached to an attachment feature 8195 on a front link 8196a of a plurality of links 8196a -8196d that form a linked rack 8200. Linked rack 8200 can be flexible such that it can readily retract into the pistol grip 8036 and minimize the length of the handle 8020 and yet form a straight rigid rack assembly that may transfer a significant firing force to and/or through the firing rod 8032. As described in greater detail below, the firing trigger 8034 can be engaged with a first link 8196a during a first actuation of the firing trigger 8034, engaged with a second link 8196b during a second actuation of the firing trigger 8034, engaged with a third link 8196c during a third actuation of the firing trigger 8034, and engaged with a fourth link 8196d during a fourth actuation of the firing trigger 8034, wherein each actuation of the firing trigger 8034 can advance the linked rack 8200 distally an incremental amount. In various embodiments, further to the above, the multiple strokes of firing trigger 8034 can rotate the right and left indicator gauge wheels 8040, 8041 to indicate the distance in which the linked rack 8200 has been advanced.

**[0311]** Referring now to FIGS. 3 and 5, an anti-backup mechanism 8250 can prevent the combination tension/compression spring 8184 from retracting the linked rack 8200 between firing strokes. In various embodiments, a coupling slide tube 8131 abuts the first link 8196a and connects to the firing rod 8032 to communicate the firing motion. The firing rod 8032 extends proximally out of a proximal end of the frame 8028 and through a

through hole 8408 of an anti-backup plate 8266. The through hole 8408 is sized to slidingly receive the firing rod 8032 when perpendicularly aligned but to bind when tipped. A lower tab attachment 8271 extends proximally from a lower lip of the proximal end of the frame 8028, extending through an aperture 8269 on a lower edge of the anti-backup plate 8266. This lower tab attachment 8271 draws the lower portion of the anti-backup plate 8266 proximate to the frame 8028 so that the anti-backup plate 8266 is perpendicular when the firing rod 8032 is distally advanced and allowed to tip top aft into a binding state when the firing rod 8032 attempts to retract. An anti-backup compression spring 8264 is distally constrained by the proximal end of the frame 8028 and proximally abuts a top portion of the anti-backup plate 8266, biasing the anti-backup plate 8266 to a locking state. Opposing the spring bias, an anti-backup cam tube 8268 slidingly encompasses the coupling slide tube 8131 and abuts the anti-backup plate 8266. A proximally projecting anti-backup yoke 8256 attached to the anti-backup cam tube 8268 extends overtop of the closure yoke 8162.

[0312] Referring to FIG. 3, a link triggered automatic retraction mechanism 8289 is incorporated into the surgical stapling and severing instrument 8010 to cause knife retraction at the end of full firing travel. To that end, the distal link 8196d includes a tang 8290 that projects upwardly when the distal link 8196d is advanced into rack channel 8291 (FIG. 3) formed in the closure yoke 8162. This tang 8290 is aligned to activate a bottom proximal cam 8292 on an anti-backup release lever 8248 (FIG. 6). With particular reference to FIG. 6, structures formed in the right and left half shells 8156, 8158 constrain movement of the anti-backup release lever 8248. A pin receptacle 8296 and circular pin 8293 formed respectively between right and left half shells 8156, 8158 is received through a longitudinally elongate aperture 8294 formed in the anti-backup release lever 8248 distal to the bottom proximal cam 8292, thus allowing longitudinal translation as well as rotation about the circular pin 8293. In the right half shell 8156, a proximally open channel includes a proximal horizontal portion that communicates with an upwardly and distally angled portion that receives a rightward aft pin 8297 near the proximal end of the anti-backup release lever 8248, thus imparting an upward rotation as the anti-backup release lever 8248 reaches the distal most portion of its translation. A blocking structure formed in the right half shell 8156 proximal to the anti-backup release lever 8248 prevents proximal

movement thereof once assembled to maintain rightward aft pin 8297 in the proximally open channel, discussed above.

**[0313]** Further to the above, referencing now FIGS. 3 and 7, a distal end 8254 of the anti-backup release lever 8248 thus is urged distally and downwardly, causing a rightward front pin 8298 to drop into distally open step structure 8299 formed in the right half shell 8156, which is urged into this engagement by a compression spring 8300 (FIG. 3) hooked to a leftward hook 8301 on the anti-backup release lever 8248 between the rightward front pin 8298 and the longitudinally elongate aperture 8294. The other end of the compression spring 8300 is attached to a hook 8302 (FIG. 6) formed in the right half shell 8156 in a more proximal and lower position just above the closure yoke 8266. The compression spring 8300 thus pulls the distal end 8254 of the anti-backup release lever 8248 down and aft, which results in the rightward front pin 8298 locking into the distally open step structure 8299 when distally advanced. Thus, once tripped, referring to FIG. 7, the anti-backup release lever 8248 remains forward holding the anti-backup plate 8266 perpendicularly and thus allowing the linked rack 8200 to be retracted. When the closure yoke 8266 is subsequently retracted when unclamping the end effector 8012, an upwardly projecting reset tang 8303 on the closure yoke 8266 contacts a bottom distal cam 8305 of the anti-backup release lever 8248, lifting the rightward front pin 8298 out of the distally open step structure 8299 so that the anti-backup compression spring 8264 can proximally push the anti-backup cam tube 8268 and the anti-backup release lever 8248 to their retracted positions (FIG. 6).

**[0314]** In various embodiments, referring to FIGS. 1-3, the firing trigger 8034 can be operably engaged to the linked rack 8200 in any suitable manner. With particular reference to FIGS. 2 and 3, the firing trigger 8034 pivots about a firing trigger pin 8202 that is connected to the housing 8154. An upper portion 8204 of the firing trigger 8034 moves distally about the firing trigger pin 8202 as the firing trigger 8034 is depressed towards pistol grip 8036, stretching a proximally placed firing trigger tension spring 8206 (FIG. 3) proximally connected between the upper portion 8204 of the firing trigger 8034 and the housing 8154. The upper portion 8204 of the firing trigger 8034 engages the linked rack 8200 during each firing trigger depression via a spring biased side pawl mechanism 8210. When the firing trigger is released, the side pawl mechanism is disengaged from the linked

rack 8200 and the firing trigger can be returned to an undepressed, or unfired, position. In use, a ramped right-side track formed by a proximally and rightwardly facing beveled surface 8284 in each of the links 8196a-8196d is engaged by a side pawl assembly 8285. In particular, a pawl slide 8270 (FIGS. 3 and 4) has right and left lower guides 8272 that slide respectively in a left track 8274 (FIG. 3) formed in the closure yoke 8266 below the rack channel 8291 and a right track 8275 in a closure yoke rail 8276 that parallels rack channel 8291 and is attached to a rack channel cover 8277 that closes a rightwardly open portion of the rack channel 8291 in the closure yoke 8266 that is distal to the travel of the pawl slide 8270. In FIGS. 3-5, a compression spring 8278 is attached between a hook 8279 on a top proximal position on the closure yoke rail 8276 and a hook 8280 on a distal right-side of the pawl slide 8270, which keeps the pawl slide 8270 drawn proximally into contact with the upper portion 8204 of the firing trigger 8034.

**[0315]** With particular reference to FIG. 3, a pawl block 8318 sits on the pawl slide 8270 pivoting about a vertical aft pin 8320 that passes through a left proximal corner of pawl block 8318 and pawl slide 8270. A kick-out block recess 8322 is formed on a distal portion of a top surface of the block 8318 to receive a kick-out block 8324 pivotally pinned therein by a vertical pin 8326 whose bottom tip extends into a pawl spring recess 8328 on a top surface of the pawl slide 8270. A pawl spring 8330 in the pawl spring recess 8328 extends to the right of the vertical front pin 8326 urging the pawl block 8318 to rotate counterclockwise when viewed from above into engagement with the ramped right-side track 8282. A small coil spring 8332 in the kick-out block recess 8322 urges the kick-out block 8324 to rotate clockwise when viewed from above, its proximal end urged into contact with a contoured lip 8334 formed in the closure yoke 8266 above the rack channel 8291. As shown in FIG. 5, the stronger mechanical advantage of the pawl spring 8330 over the small coil spring 8332 means that the pawl block 8318 tends toward engagement with the kick-out block 8324 rotated clockwise. In FIG. 3, as the firing trigger 8034 is fully depressed and begins to be released, the kick-out block 8324 encounters a ridge 8336 in the contoured lip 8334 as the pawl slide 8270 retracts, forcing the kick-out block 8324 to rotate clockwise when viewed from above and thereby kicking out the pawl block 8318 from engagement with the linked rack 8200. The shape of the kick-out block recess 8322 stops the clockwise rotation of the kick-out block 8324 to a perpendicular orientation to the

contoured lip 8334 maintaining this disengagement during the full retraction and thereby eliminating a ratcheting noise.

**[0316]** In FIGS. 3, 4, 8, and 12, the surgical stapling and severing instrument 8010 can include a manual retraction mechanism 8500 that provides for a manual release of the firing mechanism, manual retraction, and in one version (FIGS. 13-15) further performs automatic retraction at the end of full firing travel. Referring now to FIGS. 3 and 8, in particular, a front idler gear 8220 is engaged with a toothed upper, left surface 8222 of the linked rack 8200 wherein the front idler gear 8220 also engages an aft idler gear 8230 having a smaller right-side ratchet gear 8231. Both the front idler gear 8220 and aft idler gear 8230 are rotatably connected to the handle housing 8154 respectively on front idler axle 8232 and aft idler axle 8234. Each end of the aft axle 8232 extend through the respective right and left housing half shells 8156, 8158 and are attached to the left and right indicator gauge wheels 8040, 8041 and, since the aft axle 8234 is free spinning in the handle housing 8154 and has a keyed engagement to the aft gear 8230, the indicator gauge wheels 8040, 8041 rotate with the aft gear 8230. The gear relationship between the linked rack 8200, idler gear 8220 and aft gear 8230 may be advantageously selected so that the toothed upper surface 8222 has tooth dimensions that are suitably strong and that the aft gear 8230 makes no more than one revolution during the full firing travel of the linked transmission firing mechanism 8150. In addition to gear mechanism 8502 visually indicating the firing travel, or progress, the gear mechanism 8502 can also be used to manual retract the knife. In various embodiments, the smaller right-side ratchet gear 8231 of the aft idler gear 8230 extends into a hub 8506 of the manual retraction lever 8042, specifically aligned with a vertical longitudinally-aligned slot 8508 (FIG. 8) bisecting the hub 8506. A lateral through hole 8510 of the hub 8506 communicates with an upper recess 8512. A front portion 8514 is shaped to receive a proximally directed locking pawl 8516 that pivots about a rightward lateral pin 8518 formed in a distal end of the upper recess 8512. An aft portion 8520 is shaped to receive an L-shaped spring tab 8522 that urges the locking pawl 8516 downward into engagement with the right-side smaller ratchet gear 8231. A hold-up structure 8524 (FIG. 6) projects from the right half shell 8156 into the upper recess 8512 holding up the locking pawl 8516 from engaging the smaller right-side ratchet gear 8231 when the manual retraction lever 8042 is down (FIG. 10). A coil spring

8525 (FIG. 3) urges the manual retraction lever 8042 down.

[0317] In use, as depicted in FIGS. 9 and 10, the combination tension/compression spring 8184 may become disconnected with the linked rack distally positioned. In FIGS. 11 and 12, as the manual retraction lever 8042 is raised, the locking pawl 8516 rotates clockwise and no longer is held up by the hold-up structure 8524 and engages the smaller right-side ratcheting gear 8231, rotating the aft idler gear 8230 clockwise when viewed from the left. Thus, the forward idler gear 8220 responds counterclockwise retracting the linked rack 8200. In addition, a rightward curved ridge 8510 projects out from the hub 8506, sized to contact and distally move the anti-backup release lever 8248 to release the anti-backup mechanism 8250 as the manual retraction lever 8042 is rotated.

[0318] In FIGS. 13-15, an automatic retraction mechanism 8600 for a surgical stapling and severing instrument can incorporate automatic retraction at the end of full firing travel into a front idler gear 8220a having a tooth 8602 that moves within a circular groove 8604 in a cam wheel 8606 until encountering a blockage after nearly a full rotation corresponding to three firing strokes. In such circumstances, rightward ridge 8610 is rotated upward into contact a bottom cam recess 8612 to distally move an anti-backup release lever 8248a. With particular reference to FIG. 13, the anti-backup release lever 8248a includes the distal end 8254 that operates as previously described. The circular pin 8293 and pin receptacle 8296 formed between right and left half shells 8156, 8158 is received through a generally rectangular aperture 8294a formed in the anti-backup release lever 8248a aft of the bottom cam 8192, thus allowing longitudinal translation as well as downward locking motion of the distal end 8254 of the anti-backup release lever 8248a. In the right half shell 8156, a horizontal proximally open channel receives the rightward aft pin near the proximal end of the anti-backup release lever 8248a.

[0319] In operation, before firing in FIGS. 13, 14, the linked rack 8200 and the anti-backup cam tube 8268 are in a retracted position, locking the anti-backup mechanism 8250 as the anti-backup compression spring 8264 proximally tips the anti-backup plate 8266. The automatic retraction mechanism 8600 is at an initial state with the anti-backup release lever 8248a retracted with link 8196a in contact with the forward idler gear 8220a. The tooth 8602 is at a six o'clock position with full travel of the circular groove 8604 progressing counterclockwise thereof with the rightward ridge 8610 just proximal to the

tooth 8602. After one firing stroke, the linked rack 8200 has moved up one distal link 8196b into contact with the forward idler gear 8220a. The tooth 8602 has progressed one third of a turn through the circular groove 8604 of the immobile cam wheel 8606. After a second firing stroke, the linked rack has moved up one more link 8196c into contact with the forward idler gear 8220a. The tooth 8602 has progressed two thirds of a turn through the circular groove 8604 of the immobile cam wheel 8606. After a third firing stroke, the linked rack 8200 has moved up one distal link 8196d into contact with the forward idler gear 8220a. The tooth 8602 has progressed fully around the circular groove 8604 into contact with the blockage, mentioned above, initiating counterclockwise rotation (when viewed from the right) of the cam wheel 8606 bringing the rightward ridge into contact with the anti-backup release lever 8248a. In FIG. 15, the anti-backup release lever 8248a has moved distally in response thereto, locking the rightward front pin 8298 into the distally open step structure 8299 and releasing the anti-backup mechanism 8250. Similar surgical stapling instruments are disclosed in U.S. Patent No. 7,083,075, which issued on August 1, 2006, the entire disclosure of which is incorporated by reference herein.

**[0320]** Referring to FIG. 16, the staple applying assembly 9012 of a surgical stapling instrument 9010 accomplishes the functions of clamping onto tissue, driving staples and severing tissue by two distinct motions transferred longitudinally down the shaft 9016 relative to a shaft frame 9070. This shaft frame 9070 is proximally attached to a handle of a surgical stapling instrument and is coupled thereto for rotation about a longitudinal axis. An illustrative multi-stroke handle for the surgical stapling and severing instrument is described in greater detail in the co-pending and co-owned U.S. patent application entitled **SURGICAL STAPLING INSTRUMENT INCORPORATING A MULTISTROKE FIRING POSITION INDICATOR AND RETRACTION MECHANISM**, Ser. No. 10/374,026, the disclosure of which is hereby incorporated by reference in its entirety. Other applications consistent with the present invention may incorporate a single firing stroke, such as described in co-pending and commonly owned U.S. patent application **SURGICAL STAPLING INSTRUMENT HAVING SEPARATE DISTINCT CLOSING AND FIRING SYSTEMS**, Ser. No. 10/441,632, the disclosure of which is hereby incorporated by reference in its entirety.

**[0321]** With particular reference to FIG. 17, the distal end of the shaft frame 9070 is

attached to the staple channel 9018. The anvil 9022 has a proximal pivoting end 9072 that is pivotally received within a proximal end 9074 of the staple channel 9018, just distal to its engagement to the shaft frame 9070. When the anvil 9022 is pivoted downwardly, the anvil 9022 moves a tissue contacting surface 9028 and forming pockets 9026 toward an opposing staple cartridge, described in greater detail further below. The pivoting end 9072 of the anvil 9022 includes a closure feature 9076 proximate but distal to its pivotal attachment with the staple channel 9018. Thus, a closure tube 9078, whose distal end includes a horseshoe aperture 9080 that engages this closure feature 9076, selectively imparts an opening motion to the anvil 9022 during proximal longitudinal motion and a closing motion to the anvil 9022 during distal longitudinal motion of the closure tube 9078 sliding over the shaft frame 9070 in response to a closure trigger, similar to the above. The shaft frame 9070 encompasses and guides a firing motion from the handle through a longitudinally reciprocating, two-piece knife and firing bar 9090. In particular, the shaft frame 9070 includes a longitudinal firing bar slot 9092 that receives a proximal portion of the two-piece knife and firing bar 9090, specifically a laminate tapered firing bar 9094. It should be appreciated that the laminated tapered firing bar 9094 may be substituted with a solid firing bar and/or any other suitable materials.

**[0322]** An E-beam 9102 is the distal portion of the two-piece knife and firing bar 9090, which facilitates separate closure and firing as well as spacing of the anvil 9022 from the elongate staple channel 9018 during firing. With particular reference to FIGS. 17 and 19, in addition to any attachment treatment such as brazing or an adhesive, the knife and firing bar 9090 are formed of a female vertical attachment aperture 9104 proximally formed in the E-beam 9102 that receives a corresponding male attachment member 9106 distally presented by the laminated tapered firing bar 9094, allowing each portion to be formed of a selected material and process suitable for their disparate functions (e.g., strength, flexibility, friction). The E-beam 9102 may be advantageously formed of a material having suitable material properties for forming a pair of top pins 9110, a pair of middle pins 9112 and a bottom pin or foot 9114, as well as being able to acquire a sharp cutting edge 9116. In addition, integrally formed and proximally projecting top guide 9118 and middle guide 9120 bracketing each vertical end of the cutting edge 9116 further define a tissue staging area 9122 assisting in guiding tissue to the sharp cutting edge 9116 prior to being severed.



The middle guide 9120 also serves to engage and fire the staple applying apparatus 9012 by abutting a stepped central member 9124 of a wedge sled 9126 (FIG. 20) that effects staple formation by the staple applying assembly 9012, as described in greater detail below. Forming these features (e.g., top pins 9110, middle pins 9112, and bottom foot 9114) integrally with the E-beam 9102 facilitates manufacturing at tighter tolerances relative to one another as compared to being assembled from a plurality of parts, ensuring desired operation during firing and/or effective interaction with various lockout features of the staple applying assembly 9012.

**[0323]** In FIGS. 21 and 22, the staple applying assembly 9012 is shown open, with the E-beam 9102 fully retracted. During assembly, the lower foot 9114 of the E-beam 9102 is dropped through a widened hole 9130 in the staple channel 9018 and the E-beam 9102 is then advanced such that the E-beam 9102 slides distally along a lower track 9132 formed in the staple channel 9018. In particular, the lower track 9132 includes a narrow slot 9133 that opens up as a widened slot 9134 on an undersurface of the staple channel 9018 to form an inverted T-shape in lateral cross section, as depicted particularly in FIGS. 22 and 23, which communicates with the widened hole 9130. Once assembled, the components proximally coupled to the laminate tapered firing bar 9094 do not allow the lower foot 9114 to proximally travel again to the widened hole 9130 to permit disengagement. Referring to FIG. 24, the laminate tapered firing bar 9094 facilitates insertion of the staple applying assembly 9012 through a trocar. In particular, a more distal, downward projection 9136 raises the E-beam 9102 when fully retracted. This is accomplished by placement of the downward projection 9136 at a point where it cams upwardly on a proximal edge of the widened hole 9130 in the staple channel 9018. Referring now to FIG. 25, the laminate tapered firing bar 9094 also enhances operation of certain lockout features that may be incorporated into the staple channel 9018 by including a more proximal upward projection 9138 that is urged downwardly by the shaft frame 9070 during an initial portion of the firing travel. In particular, a lateral bar 9140 is defined between a pair of square apertures 9142 in the shaft frame 9070 (FIG. 17). A clip spring 9144 that encompasses the lateral bar 9140 downwardly urges a portion of the laminate tapered firing bar 9094 projecting distally out of the longitudinal firing bar slot 9092, which ensures certain advantageous lockout features are engaged when appropriate. This urging is more pronounced or confined solely

to that portion of the firing travel when the upward projection 9138 contacts the clip spring 9144.

**[0324]** In FIGS. 21 and 22, the E-beam 9102 is retracted with the top pins 9110 thereof residing within an anvil pocket 9150 near the pivoting proximal end of the anvil 9022. A downwardly open vertical anvil slot 9152 (FIG. 16) laterally widens in the anvil 9022 into an anvil internal track 9154 that captures the top pins 9110 of the E-beam 9102 as they distally advance during firing, as depicted in FIGS. 24 and 25, affirmatively spacing the anvil 9022 from the staple channel 9018. Thus, with the E-beam 9102 retracted, the surgeon is able to repeatably open and close the staple applying assembly 9012 until satisfied with the placement and orientation of tissue captured therein for stapling and severing, yet the E-beam 9102 assists in proper positioning of tissue even for a staple applying assembly 9012 of reduced diameter and correspondingly reduced rigidity. In FIGS. 16, 17, 20, 21, 23, and 29, the staple applying assembly 9012 is shown with the replaceable staple cartridge 9020 that includes the wedge sled 9126. Longitudinally aligned and parallel plurality of downwardly open wedge slots 9202 (FIG. 23) receive respective wedges 9204 integral to the wedge sled 9126. In FIGS. 23-25, the wedge sled 9126 thus cams upwardly a plurality of staple drivers 9206 that are vertically slidable within staple driver recesses 9208. In this illustrative version, each staple driver 9206 includes two vertical prongs, each translating upwardly into a respective staple hole 9210, or cavity 9024, to upwardly force out and deform a staple 9023 resting thereupon against a staple forming surface 9214 (FIG. 25) of the anvil 9022. A central firing recess 9216 (FIG. 17) defined within the staple cartridge 9020 proximate to the staple channel 9018 allows the passage of the bottom, horizontal portion 9218 (FIG. 20) of the wedge sled 9126 as well as the middle pins 9112 of the E-beam 9102. Specifically, a staple cartridge tray 9220 (FIGS. 17, 23) attaches to and underlies a polymer staple cartridge body 9222 that has the staple driver recesses 9208, staple holes 9210, and central firing recess 9216 formed therein. As staples 9023 are thus formed to either side, the sharp cutting edge 9116 enters a vertical through slot 9230 passing through the longitudinal axis of the staple cartridge 9020, excepting only a most distal end thereof.

**[0325]** Firing the staple applying assembly 9012 begins as depicted in FIG. 25 with the two-piece knife and firing bar 9090 proximally drawn until the downward projection 9136

cams the middle guide 9120 on the E-beam 9102 upward and aft, allowing a new staple cartridge 9020 to be inserted into the staple channel 9018 when the anvil 9022 is open as depicted in FIGS. 16 and 21. In FIG. 26, the two-piece knife and firing bar 9090 has been distally advanced a small distance, allowing the downward projection 9136 to drop into the widened hole 9130 of the lower track 9132 under the urging of the clip spring 9144 against the upward projection 9138 of the laminate tapered firing bar 9094. The middle guide 9120 prevents further downward rotation by resting upon the stepped central member 9124 of the wedge sled 9126, thus maintaining the middle pin 9112 of the E-beam within the central firing recess 9216. In FIG. 27, the two-piece knife and firing bar 9090 has been distally fired, advancing the wedge sled 9126 to cause formation of staples 9023 while severing tissue 9242 clamped between the anvil 9022 and staple cartridge 9020 with the sharp cutting edge 9116. Thereafter, in FIG. 28, the two-piece knife and firing bar 9090 is retracted, leaving the wedge sled 9126 distally positioned. In FIG. 29, the middle pin 9112 is allowed to translate down into a lockout recess 9240 formed in the staple channel 9018 (also see FIGS. 22 and 25). Thus, the operator would receive a tactile indication as the middle pin 9112 encounters the distal edge of the lockout recess 9240 when the wedge sled 9126 (not shown in FIG. 29) is not proximally positioned (i.e., missing staple cartridge 9020 or spent staple cartridge 9020). Similar surgical stapling instruments are disclosed in U.S. Patent No. 7,380,696, which issued on June 3, 2008, the entire disclosure of which is incorporated by reference herein.

**[0326]** In various embodiments, turning now to FIGS. 30-38, a surgical instrument 12000 can comprise a handle 12010, a shaft 12020 extending from the handle 12010, and an end effector 12040 removably attachable to the shaft 12020, as described in greater detail further below. The handle 12010 can comprise a trigger 12014 which can be actuated to, one, close the end effector 12040 and, two, advance a firing member 12043 distally through the end effector 12040. Although not illustrated in FIGS. 30-38, the handle 12010 can include any suitable drive train configured to transfer and convert the rotational motion of the trigger 12014 to linear motion of a firing member 12023 extending through the shaft 12010. In use, the trigger 12014 can be actuated toward a pistol grip 12012 of the handle 12010 in order to advance the firing member 12023 distally within the shaft 12020 along a longitudinal axis 12039 and, when the shaft firing member 12023 is operably coupled with

the end effector firing member 12043, as discussed in greater detail further below, the distal movement of the shaft firing member 12023 can be transferred to the end effector firing member 12043. When the end effector firing member 12043 is advanced distally, the end effector firing member 12043 can be configured to engage a first jaw 12040a including an anvil and/or a second jaw 12040b including a staple cartridge channel and move at least one of the first jaw 12040a and the second jaw 12040b toward the other. Further to the above, and referring primarily to FIGS. 30-32, the end effector 12040 can be assembled to the shaft 12010 in a direction which is transverse to the longitudinal axis 12039. For instance, the end effector 12040 can be assembled to the shaft 12010 in a direction which is perpendicular to the longitudinal axis 12039, for example. In such circumstances, the end effector 12040 can be moved toward the shaft 12010 such that the frame 12041 of the end effector 12040 engages and connects to the frame 12021 and such that the proximal end 12044 of the firing member 12043 engages and couples to the distal end 12024 of the firing member 12023. The shaft frame 12021 can include a channel 12022 defined therein which can be configured to slidably receive the shaft firing member 12023 and define the longitudinal axis 12039. To align the end effector frame 12041 with the shaft frame 12021, in various embodiments, the proximal end 12045 of the end effector frame 12041 and the distal end 12025 of the shaft frame 12021 can include co-operating dovetail features, for example, which can orient the end effector 12040 relative to the shaft 12020. The shaft frame 12021 can further include mounting apertures 12026 defined therein which can be configured to receive mounting projections 12046 extending from the end effector frame 12041. As a result of the co-operating dovetail features of the ends 12025, 12045 and/or the mounting features 12026, 12046, in various circumstances, can securely mount the end effector 12040 to the shaft 12020. In various embodiments, the surgical instrument 12000 can further comprise a lock collar 12030 which can be configured to lock the end effector 12040 to the shaft 12020. Primarily referring now to FIGS. 34-36, the lock collar 12030 can be moved between an unlocked position (FIGS. 34 and 35) and a locked position (FIG. 36). When the lock collar 12030 is in its unlocked position, referring to FIG. 34, the end effector 12040 can be assembled to the shaft 12020. Once end effector 12040 has been engaged with the shaft 12020, the lock collar 12030 can be slid over the interconnection between the end effector 12040 and

the shaft 12020 to lock the end effector 12040 in place. More specifically, in at least one embodiment, the lock collar 12030 can define an inner aperture 12031 which can be configured to closely receive the outside perimeters of the end effector 12040 and the shaft 12020. In certain embodiments, the surgical instrument 12000 can comprise a spring or biasing member configured to bias the lock collar 12030 into its locked position. In such embodiments, a clinician can pull the lock collar 12030 proximally against the biasing force of the spring and, thereafter, release the lock collar 12030 and allow the spring to return the lock collar 12030 to its locked position.

**[0327]** Referring again to FIGS. 30-38, and primarily to FIGS. 32 and 33, the surgical instrument 12000 can comprise an articulation joint 12050. The articulation joint 12050, in various embodiments, can be configured to permit a distal portion of the end effector 12040 to pivot about an axis defined by the articulation joint 12050. In such an embodiment, the end effector 12040 can comprise a proximal portion securely mounted to the shaft 12020 and the distal portion which can rotate relative to the proximal portion about the articulation joint 12050. In certain embodiments, the surgical instrument 12000 can comprise a lock configured to engage and disengage the distal portion of the end effector 12040. For instance, the end effector 12040 can include an end effector lock portion 12047 which can be pushed distally to lock the distal portion of the end effector 12040 in position and/or pulled proximally to unlock the distal portion of the end effector 12040. The surgical instrument 12000 can further comprise a lock actuator 12060 adjacent the handle 12010, for example, which can be pulled proximally in order to pull the end effector lock portion 12047 proximally. In such an embodiment, the lock actuator 12060 can be operably coupled with a lock portion 12027 extending through the shaft 12020 which is operably coupled, or operably couplable, to the end effector lock portion 12047. In at least one such embodiment, the proximal end 12048 of the end effector lock portion 12047 can be assembled to the distal end 12028 of the lock portion 12027 when the end effector 12040 is assembled to the shaft 12020. In at least one such embodiment, the end effector lock portion 12047 can be assembled to the lock portion 12027 at the same time that the end effector firing member 12043 is assembled to shaft firing member 12023.

[0328] In various embodiments, as described above, a staple cartridge can comprise a cartridge body including a plurality of staple cavities defined therein. The cartridge body can comprise a deck and a top deck surface wherein each staple cavity can define an opening in the deck surface. As also described above, a staple can be positioned within each staple cavity such that the staples are stored within the cartridge body until they are ejected therefrom. Prior to being ejected from the cartridge body, in various embodiments, the staples can be contained with the cartridge body such that the staples do not protrude above the deck surface. As the staples are positioned below the deck surface, in such embodiments, the possibility of the staples becoming damaged and/or prematurely contacting the targeted tissue can be reduced. In various circumstances, the staples can be moved between an unfired position in which they do not protrude from the cartridge body and a fired position in which they have emerged from the cartridge body and can contact an anvil positioned opposite the staple cartridge. In various embodiments, the anvil, and/or the forming pockets defined within the anvil, can be positioned a predetermined distance above the deck surface such that, as the staples are being deployed from the cartridge body, the staples are deformed to a predetermined formed height. In some circumstances, the thickness of the tissue captured between the anvil and the staple cartridge may vary and, as a result, thicker tissue may be captured within certain staples while thinner tissue may be captured within certain other staples. In either event, the clamping pressure, or force, applied to the tissue by the staples may vary from staple to staple or vary between a staple on one end of a staple row and a staple on the other end of the staple row, for example. In certain circumstances, the gap between the anvil and the staple cartridge deck can be controlled such that the staples apply a certain minimum clamping pressure within each staple. In some such circumstances, however, significant variation of the clamping pressure within different staples may still exist.

[0329] In use, further to the above and referring primarily to FIG. 39, an anvil, such as anvil, 10060, for example, can be moved into a closed position opposite the staple cartridge 10000. As described in greater detail below, the anvil 10060 can position tissue against the tissue thickness compensator 10020 and, in various embodiments, compress the tissue thickness compensator 10020 against the deck surface 10011 of the support portion 10010, for example. Once the anvil 10060 has been suitably positioned, the

staples 10030 can be deployed, as also illustrated in FIG. 39. In various embodiments, as mentioned above, the staple-firing sled 10050 can be moved from the proximal end 10001 of the staple cartridge 10000 toward the distal end 10002, as illustrated in FIG. 40. As the sled 10050 is advanced, the sled 10050 can contact the staple drivers 10040 and lift the staple drivers 10040 upwardly within the staple cavities 10012. In at least one embodiment, the sled 10050 and the staple drivers 10040 can each comprise one or more ramps, or inclined surfaces, which can co-operate to move the staple drivers 10040 upwardly from their unfired positions. In at least one such embodiment, each staple driver 10040 can comprise at least one inclined surface and the sled 10050 can comprise one or more inclined surfaces which can be configured such that the sled inclined surfaces can slide under the driver inclined surface as the sled 10050 is advanced distally within the staple cartridge. As the staple drivers 10040 are lifted upwardly within their respective staple cavities 10012, the staple drivers 10040 can lift the staples 10030 upwardly such that the staples 10030 can emerge from their staple cavities 10012 through openings in the staple deck 10011 (FIG. 41). During an exemplary firing sequence, the sled 10050 can contact a first staple 10030 and begin to lift the first staple 10030 upwardly. As the sled 10050 is advanced further distally, the sled 10050 can begin to lift additional staples 10030, and any other subsequent staples, in a sequential order. The sled 10050 can drive the staples 10030 upwardly such that the legs 10032 of the staples contact the opposing anvil, are deformed to a desired shape, and ejected therefrom the support portion 10010. In various circumstances, the sled 10050 can move several staples upwardly at the same time as part of a firing sequence.

**[0330]** With reference to FIGS. 49-54, each staple 10030 can be deformed such that a compression zone 10039 is defined therein. For instance, each staple 10030 can comprise a base 10031 and one or more legs 10032 extending from the base 10031 which, when deformed, can co-operatively define an area with the base 10031 within which the tissue T and the tissue thickness compensator 10020 can be captured. Within the compression zone 10039, the tissue thickness compensator 10020 can apply pressure to the tissue T and, in certain circumstances, assume different compressed heights depending on the thickness of the tissue T. In some circumstances, the tissue thickness

compensator 10020 can resiliently fill gaps, or free spaces, present within the compression zones 10039 defined by the staples 10030.

[0331] As discussed above, and referring to FIG. 41, the staple legs 10032 of the staples 10030 can extend above the deck surface 10011 of the support portion 10010 when the staples 10030 are in their unfired positions. In various embodiments, the tips of the staple legs 10032, or any other portion of the staple legs 10032, may not protrude through a top tissue-contacting surface 10021 of the tissue thickness compensator 10020 when the staples 10030 are in their unfired positions. As the staples 10030 are moved from their unfired positions to their fired positions, the tips of the staple legs can protrude through the tissue-contacting surface. In various embodiments, the tips of the staple legs 10032 can comprise sharp tips which can incise and penetrate the tissue thickness compensator 10020. In certain embodiments, the tissue thickness compensator 10020 can comprise a plurality of apertures which can be configured to receive the staple legs 10032 and allow the staple legs 10032 to slide relative to the tissue thickness compensator 10020. In certain embodiments, the support portion 10010 can further comprise a plurality of guides 10013 (FIG. 41) extending from the deck surface 10011. The guides 10013 can be positioned adjacent to the staple cavity openings in the deck surface 10011 such that the staple legs 10032 can be at least partially supported by the guides 10013. In certain embodiments, a guide 10013 can be positioned at a proximal end and/or a distal end of a staple cavity opening. In various embodiments, a first guide 10013 can be positioned at a first end of each staple cavity opening and a second guide 10013 can be positioned at a second end of each staple cavity opening such that each first guide 10013 can support a first staple leg 10032 of a staple 10030 and each second guide 10013 can support a second staple leg 10032 of the staple. In at least one embodiment, referring to FIG. 41, each guide 10013 can comprise a groove or slot, such as groove 10016, for example, within which a staple leg 10032 can be slidably received. In various embodiments, each guide 10013 can comprise a cleat, protrusion, and/or spike that can extend from the deck surface 10011 and can extend into the tissue thickness compensator 10020. In at least one embodiment, as discussed in greater detail below, the cleats, protrusions, and/or spikes can reduce relative movement between the tissue thickness compensator 10020 and the support portion 10010. In certain embodiments, the tips of the staple legs 10032



may be positioned within the guides 10013 and may not extend above the top surfaces of the guides 10013 when the staples 10030 are in their unfired position. In at least such embodiment, the guides 10013 can define a guide height and the staples 10030 may not extend above this guide height when they are in their unfired position.

[0332] In various embodiments, a tissue thickness compensator, such as tissue thickness compensator 10020, for example, can be comprised of a single sheet of material. In at least one embodiment, a tissue thickness compensator can comprise a continuous sheet of material which can cover the entire top deck surface 10011 of the support portion 10010 or, alternatively, cover less than the entire deck surface 10011. In certain embodiments, the sheet of material can cover the staple cavity openings in the support portion 10010 while, in other embodiments, the sheet of material can comprise openings which can be aligned, or at least partially aligned, with the staple cavity openings. In various embodiments, a tissue thickness compensator can be comprised of multiple layers of material. In some embodiments, a tissue thickness compensator can comprise a compressible core and a wrap surrounding the compressible core.

[0333] In various embodiments, a tissue thickness compensator can comprise a wrap for releasably holding a compressible core to the support portion 10010. In at least one such embodiment, a staple cartridge can further comprise retainer clips which can be configured to inhibit the wrap, and the compressible core, from prematurely detaching from the support portion 10010. In certain embodiments, as described above, a tissue thickness compensator can be removably attached to the support portion 10010 by the staples 10030. More particularly, as also described above, the legs of the staples 10030 can extend into the tissue thickness compensator 10020 when the staples 10030 are in their unfired position and, as a result, releasably hold the tissue thickness compensator 10020 to the support portion 10010. In at least one embodiment, the legs of the staples 10030 can be in contact with the sidewalls of their respective staple cavities 10012 wherein, owing to friction between the staple legs 10032 and the sidewalls, the staples 10030 and the tissue thickness compensator 10020 can be retained in position until the staples 10030 are deployed from the staple cartridge 10000. When the staples 10030 are deployed, the tissue thickness compensator 10020 can be captured within the staples 10030 and held against the stapled tissue T. When the anvil is thereafter moved into an open position to

release the tissue T, the support portion 10010 can be moved away from the tissue thickness compensator 10020 which has been fastened to the tissue. In certain embodiments, an adhesive can be utilized to removably hold the tissue thickness compensator 10020 to the support portion 10010. In at least one embodiment, a two-part adhesive can be utilized wherein, in at least one embodiment, a first part of the adhesive can be placed on the deck surface 10011 and a second part of the adhesive can be placed on the tissue thickness compensator 10020 such that, when the tissue thickness compensator 10020 is placed against the deck surface 10011, the first part can contact the second part to activate the adhesive and detachably bond the tissue thickness compensator 10020 to the support portion 10010. In various embodiments, any other suitable means could be used to detachably retain the tissue thickness compensator to the support portion of a staple cartridge.

**[0334]** In various embodiments, further to the above, the sled 10050 can be advanced from a proximal end to a distal end to fully deploy all of the staples 10030 contained within the staple cartridge 10000. In at least one embodiment, referring now to FIG. 44, the sled 10050 can be advanced distally within a longitudinal cavity within the support portion 10010 by a firing member, or knife bar, 10052 of a surgical stapler. In use, the staple cartridge 10000 can be inserted into a staple cartridge channel in a jaw of the surgical stapler and the firing member 10052 can be advanced into contact with the sled 10050, as illustrated in FIG. 44. As the sled 10050 is advanced distally by the firing member 10052, the sled 10050 can contact the proximal-most staple driver, or drivers, 10040 and fire, or eject, the staples 10030 from the cartridge body 10010, as described above. As illustrated in FIG. 44, the firing member 10052 can further comprise a cutting edge 10053 which can be advanced distally through a knife slot in the support portion 10010 as the staples 10030 are being fired. In various embodiments, a corresponding knife slot can extend through the anvil positioned opposite the staple cartridge 10000 such that, in at least one embodiment, the cutting edge 10053 can extend between the anvil and the support portion 10010 and incise the tissue and the tissue thickness compensator positioned therebetween. In various circumstances, the sled 10050 can be advanced distally by the firing member 10052 until the sled 10050 reaches the distal end of the staple cartridge 10000. At such point, the firing member 10052 can be retracted proximally. In some

embodiments, the sled 10050 can be retracted proximally with the firing member 10052 but, in various embodiments, the sled 10050 can be left behind in the distal end 10002 of the staple cartridge 10000 when the firing member 10052 is retracted. Once the firing member 10052 has been sufficiently retracted, the anvil can be re-opened, the tissue thickness compensator 10020 can be detached from the support portion 10010, and the remaining non-implanted portion of the expended staple cartridge 10000, including the support portion 10010, can be removed from the staple cartridge channel.

[0335] After the expended staple cartridge 10000 has been removed from the staple cartridge channel, further to the above, a new staple cartridge 10000, or any other suitable staple cartridge, can be inserted into the staple cartridge channel. In various embodiments, further to the above, the staple cartridge channel, the firing member 10052, and/or the staple cartridge 10000 can comprise co-operating features which can prevent the firing member 10052 from being advanced distally a second, or subsequent, time without a new, or unfired, staple cartridge 10000 positioned in the staple cartridge channel 10070. More particularly, as the firing member 10052 is advanced into contact with the sled 10050 and, when the sled 10050 is in its proximal unfired position, a support nose of the firing member 10052 can be positioned on and/or over a support ledge on the sled 10050 such that the firing member 10052 is held in a sufficient upward position to prevent a lock, or beam, 10054 extending from the firing member 10052 from dropping into a lock recess defined within the staple cartridge channel. As the lock 10054 will not drop into the lock recess, in such circumstances, the lock 10054 may not abut a distal sidewall of the lock recess as the firing member 10052 is advanced. As the firing member 10052 pushes the sled 10050 distally, the firing member 10052 can be supported in its upward firing position owing to the support nose resting on the support ledge. When the firing member 10052 is retracted relative to the sled 10050, as discussed above, the firing member 10052 can drop downwardly from its upward position as the support nose is no longer resting on the support ledge of the sled 10050. In at least one such embodiment, the surgical stapler can comprise a spring, and/or any other suitable biasing element, which can be configured to bias the firing member 10052 into its downward position. Once the firing member 10052 has been completely retracted, the firing member 10052 cannot be advanced distally through the spent staple cartridge 10000 once again. More particularly, the firing member

10052 can't be held in its upper position by the sled 10050 as the sled 10050, at this point in the operating sequence, has been left behind at the distal end of the staple cartridge 10000. Thus, as mentioned above, in the event that the firing member 10052 is advanced once again without replacing the staple cartridge, the lock beam 10054 will contact the sidewall 10057 of the lock recess which will prevent the firing member 10052 from being advanced distally into the staple cartridge 10000 once again. Stated another way, once the spent staple cartridge 10000 has been replaced with a new staple cartridge, the new staple cartridge will have a proximally-positioned sled 10050 which can hold the firing member 10052 in its upper position and allow the firing member 10052 to be advanced distally once again.

**[0336]** As described above, the sled 10050 can be configured to move the staple drivers 10040 between a first, unfired position and a second, fired position in order to eject staples 10030 from the support portion 10010. In various embodiments, the staple drivers 10040 can be contained within the staple cavities 10012 after the staples 10030 have been ejected from the support portion 10010. In certain embodiments, the support portion 10010 can comprise one or more retention features which can be configured to block the staple drivers 10040 from being ejected from, or falling out of, the staple cavities 10012. In various other embodiments, the sled 10050 can be configured to eject the staple drivers 10040 from the support portion 10010 with the staples 10030. In at least one such embodiment, the staple drivers 10040 can be comprised of a bioabsorbable and/or biocompatible material, such as Ultem, for example. In certain embodiments, the staple drivers can be attached to the staples 10030. In at least one such embodiment, a staple driver can be molded over and/or around the base of each staple 10030 such that the driver is integrally formed with the staple. U.S. Patent Application Serial No. 11/541,123, entitled SURGICAL STAPLES HAVING COMPRESSIBLE OR CRUSHABLE MEMBERS FOR SECURING TISSUE THEREIN AND STAPLING INSTRUMENTS FOR DEPLOYING THE SAME, filed on September 29, 2006, is hereby incorporated by reference in its entirety.

**[0337]** In various circumstances, further to the above, a compressible tissue thickness compensator can move, twist, and/or deflect relative to the underlying rigid support portion of a staple cartridge. In various embodiments, the support portion, and/or any other

suitable portion of the staple cartridge, can comprise one or more features configured to limit relative movement between the tissue thickness compensator and the support portion. As described above, at least a portion of the staples 10030 can extend above the deck surface 10011 of the support portion 10010 wherein, in certain circumstances, lateral forces applied to a tissue thickness compensator can be resisted by the staples 10030 and/or the cleats 10013 extending from the support portion 10010, for example. In various circumstances, the staples 10030 may tilt and/or bend within the staple cavities 10012 while resisting the lateral movement of the tissue thickness compensator wherein, in various embodiments, the staple cavities 10012 and the staples 10030 can be sized and configured to maintain the relative alignment between the legs 10032 of the staples 10030 and the forming pockets in the opposing anvil 10060 such that the staples 10030 are properly formed during the staple forming process. In various embodiments, the staples 10030 and/or the cleats 10013 can be configured to prevent or at least limit lateral distortion within the tissue thickness compensator 10020. In at least one such embodiment, the staples 10030 and/or cleats 10013, for example, can be configured to stiffen, or limit the lateral and/or longitudinal movement of, a first, or tissue-contacting, surface of the tissue thickness compensator relative to a second, or bottom, surface. In various embodiments, a staple cartridge, and/or a staple cartridge channel in which the staple cartridge is positioned, can comprise at least one distortion minimizing member which can extend upwardly to limit the lateral and/or longitudinal movement, or distortion, of a tissue thickness compensator. A wrap at least partially surrounding a tissue thickness compensator, as discussed above, may also prevent, or at least limit, the lateral and/or longitudinal movement, or distortion, of the tissue thickness compensator.

**[0338]** In various embodiments, a staple cartridge can comprise a plurality of staple cavities each containing a staple positioned therein wherein the staple cavities can be arranged in a plurality of rows, and wherein an anvil positioned opposite the staple cartridge can comprise a plurality of forming pockets which correspond to the staple cavities in the staple cartridge. Stated another way, the anvil can comprise a plurality of forming pocket rows wherein each forming pocket can be positioned opposite a staple cavity in the staple cartridge. In various embodiments, each forming pocket can comprise two forming cups configured to receive the staple legs 10032 of a staple 10030 wherein

each forming cup is configured to receive a staple leg 10032 and form or curl the staple leg 10032 toward the other staple leg 10032, for example. In various circumstances, the legs 10032 may miss or not properly enter into the forming cups and, as a result, the staple legs 10032 may become malformed during the firing sequence. In various embodiments described herein, an anvil can comprise an array, or grid, of forming pockets which are each configured to receive and form a staple leg. In at least one such embodiment, the array of forming pockets can comprise a quantity of forming pockets that exceeds the quantity of staples contained within the staple cartridge. In at least one embodiment, a staple cartridge can comprise six longitudinal rows of staple cavities, for example, wherein the anvil can comprise six rows of forming pockets aligned with the six rows of staple cavities and, in addition, forming pockets positioned intermediate the rows of forming pockets. For example, on one side of the anvil, the anvil can comprise a first row of forming pockets which can be positioned over a first row of staple cavities, a second row of forming pockets which can be positioned over a second row of staple cavities that is adjacent to the first row of staple cavities, and, in addition, a row of forming pockets positioned intermediate the first row of forming pockets and the second row of forming pockets.

**[0339]** In various embodiments, as described above, an anvil can be moved from an open position to a closed position in order to compress tissue against the tissue thickness compensator of a staple cartridge, such as tissue thickness compensator 10020, for example. In various circumstances, the tissue thickness compensator can be positioned adjacent to the support portion of the staple cartridge prior to the tissue thickness compensator being positioned relative to the tissue. In certain embodiments, the tissue thickness compensator 10020 can be in a position in which it abuts the support portion 10018 prior to the anvil being moved into its closed position. In certain other embodiments, the tissue thickness compensator 10020 can be in a position in which a gap is present between the tissue thickness compensator 10020 and the support portion 10018. In at least one such embodiment, the anvil can displace the tissue and the tissue thickness compensator 10020 downwardly until the tissue thickness compensator 10020 abuts the support portion 10018 wherein, at such point, the anvil can be moved into its closed position and generate compression within the tissue. In the event that a surgeon is

not satisfied with the positioning of the tissue between the anvil and the staple cartridge, the surgeon can open the anvil, adjust the position of the anvil and the staple cartridge, and close the anvil once again. Owing to such positioning and re-positioning of the staple cartridge relative to the tissue, in various circumstances, the distal end of the tissue thickness compensator 10020 may become dislodged from the support portion 10010, for example. In some such circumstances, the distal end of the tissue thickness compensator 10020 can contact the tissue and peel away from, or roll relative to, the support portion 10010. In various embodiments, as described in greater detail below, a staple cartridge can comprise one or more features configured to releasably retain a tissue thickness compensator to an underlying support portion of the staple cartridge

**[0340]** In various embodiments, referring now to FIG. 55, a staple cartridge 10300 can comprise a support portion 10310, a tissue thickness compensator 10320 supported by the support portion 10310, and a distal end 10302 which includes a nose 10303 configured to releasably hold a distal end 10325 of the tissue thickness compensator 10320 in position. In at least one embodiment, the nose 10303 can comprise a slot 10305 configured to receive the distal end 10325 of the tissue thickness compensator 10320. In various embodiments, the distal end 10325 can be compressed, or wedged, within the slot 10305 such that the distal end 10325 can be held in place as the staple cartridge 10300 is positioned relative to the tissue. In at least one such embodiment, the slot 10305 can be oriented in a direction which is parallel, or at least substantially parallel, to the deck surface 10311 of the support portion 10310. In various embodiments, the slot 10305 can be horizontal with respect to the deck surface 10311. In various other embodiments, referring now to FIG. 56, a staple cartridge 10400 can comprise a support portion, a tissue thickness compensator 10420 supported by support portion, and a distal end 10402 which includes a nose 10403 configured to releasably hold the distal end 10425 of the tissue thickness compensator 10420 in position. In at least one embodiment, the distal end 10425 can comprise a projection extending therefrom and the nose 10403 can comprise a vertical slot 10405 configured to receive the projection of the distal end 10425. In various embodiments, the distal end 10425, and/or the projection extending therefrom, can be compressed, or wedged, within the slot 10405 such that the distal end 10425 can be held in place as the staple cartridge 10400 is positioned relative to the tissue. In certain

embodiments, the tissue thickness compensator 10420 can comprise a slot, such as slot 10429, for example, which can be configured to receive at least a portion of the nose 10403 therein. In at least one embodiment, the slot 10405 can be oriented in a direction which is perpendicular, or at least substantially perpendicular, to the deck surface 10411 of the support portion. In various embodiments, referring now to FIG. 57, a staple cartridge 10500 can comprise a support portion, a tissue thickness compensator 10520 supported by the support portion, and a distal end 10502 which includes a nose configured to releasably hold the distal end 10525 of the tissue thickness compensator 10520 in position. In at least one embodiment, the nose can comprise a vertical slot 10505 configured to receive the distal end 10525 of the tissue thickness compensator 10520. In various embodiments, the distal end 10525 can be compressed, or wedged, within the slot 10505 such that the distal end 10525 can be held in place as the staple cartridge 10500 is positioned relative to the tissue.

**[0341]** In various embodiments, referring again to FIG. 55, the tissue thickness compensator 10320 can comprise a top surface 10324 which can be positioned above the top surface 10304 of the nose 10303. Another exemplary embodiment in which the top surface of a tissue thickness compensator is positioned above the nose of the staple cartridge is illustrated in FIG. 44, wherein the top surface 10721 of the tissue thickness compensator 10720 is positioned above the top surface 10004 of the nose 10003, for example. In use, referring once again to FIG. 55, tissue can slide over the top surface 10304 of the nose 10303 and, in some circumstance, the tissue can contact the distal end 10325 of the tissue thickness compensator 10320 and can apply a force to the tissue thickness compensator 10320 tending to peel the tissue thickness compensator 10320 away from the support portion 10310. In the embodiments described herein, this peel force can be resisted by the portion of the distal end 10325 wedged within the nose 10303. In any event, once the tissue has been suitably positioned relative to the staple cartridge 13000, an anvil can be rotated into a closed position to compress the tissue and the tissue thickness compensator 10320 against the support portion 10310. In at least one such embodiment, the anvil can be rotated into a position in which the anvil contacts the top surface 10304 of the nose 10303 and, as a result, the anvil can be prevented from rotating further. In various circumstances, owing to the top surface 10324 of the tissue thickness



compensator 10320 being positioned above the top surface 10304 of the nose 10303, the top surface 10324 can be pushed downwardly toward the support portion 10310 as the anvil is being closed and, in some circumstances, the top surface 10324 can be pushed below the top surface 10304 of the nose 10303, for example. After the staples contained within the staple cartridge 10300 have been deployed and the tissue thickness compensator 10320 has been incised, as described herein, the support portion 10310 and the nose 10303 can be moved away from the tissue thickness compensator 10320 such that the distal end 10325 of the tissue thickness compensator 10320 can slide out of the slot 10305.

[0342] As described above, an anvil, such as anvil 10060, for example, can be rotated into a closed position in which the anvil 10060 contacts the top nose surface 10004 of a staple cartridge, such as staple cartridge 10000, for example. Once the anvil has reached its closed position, the amount in which a tissue thickness compensator, such as tissue thickness compensator 10020, for example, is compressed will depend on, among other things, the uncompressed thickness, or height, of the tissue thickness compensator and the thickness of the tissue. Referring now to FIGS. 42 and 43, a tissue thickness compensator 10920 can comprise a top surface which is flush, or at least substantially flush, with the top surface 10004 of the nose 10003. In such embodiments, the top surface of the tissue thickness compensator 10920 can be pushed below the top surface 10004 of the nose 10003. Referring now to FIGS. 47 and 48, a tissue thickness compensator, such as tissue thickness compensator 10820, for example, can comprise a top surface 10821 which is positioned below the top nose surface 10004 prior to the tissue thickness compensator 10820 being compressed by the tissue T and anvil 10060. In the circumstances where the tissue T is relatively thin, as illustrated in FIGS. 45 and 46, the tissue thickness compensator 10920 may undergo relatively little compression. Referring now to FIGS. 47 and 48, the tissue thickness compensator 10820 may undergo a larger compression when the tissue T is relatively thicker. In the circumstances where the tissue T has both thin sections and thicker sections, as illustrated in FIGS. 47 and 48, the tissue thickness compensator 10820 may be compressed a larger amount when it is positioned under the thicker tissue T and a lesser amount when it is positioned under the thinner

tissue T, for example. In this way, as described above, the tissue thickness compensator can compensate for different tissue thicknesses.

**[0343]** In various embodiments, referring now to FIGS. 58 and 59, a surgical stapling instrument can comprise, one, a cartridge channel 16670 configured to receive a staple cartridge 16600 and, two, an anvil 16660 pivotably coupled to the cartridge channel 16670. The staple cartridge 16600 can comprise a support portion 16610 and a tissue thickness compensator 16620 wherein a distal end 16625 of the tissue thickness compensator 16620 can be releasably held to the support portion 16610 by a nose 16603 at the distal end 16602 of the staple cartridge 16600. In at least one embodiment, the nose 16603 can comprise a slot 16605 and can be comprised of a flexible material. In use, referring primarily to FIG. 58, the nose 16603 can be flexed downwardly in order to expand the opening of slot 16605. In certain embodiments, the nose 16603 can comprise notches or cut-outs 16606 which can be configured to permit the nose 16603 to flex downwardly. In any event, in various circumstances, the expanded opening of the slot 16605 can facilitate the insertion of the distal end 16625 of the tissue thickness compensator 16620 into the slot 16605. Once the tissue thickness compensator 16620 has been suitably positioned, the nose 16603 can be released and, owing to the resiliency of the material comprising the nose 16603, the nose 16603 can return, or at least substantially return, to its unflexed condition and trap the distal end 16625 of the tissue thickness compensator 16620 against the deck surface 16611, as illustrated in FIG. 59. In use, similar to the above, the distal end 16625 can be pulled out of the slot 16605 when the support portion 16610 is moved away from the stapled tissue. In various circumstances, the flexible nose 16603 can be configured to deflect as the tissue thickness compensator 16620 is detached from the support portion 16610. In various embodiments, referring again to FIG. 59, the tissue thickness compensator 16620 can comprise a top surface 16621 which is aligned, or at least substantially aligned, with a top surface 16604 of the nose 16603.

**[0344]** In various embodiments, referring now to FIGS. 60-61, a staple cartridge, such as staple cartridge 11400, for example, can comprise a tissue thickness compensator 11420 removably attached to a support portion 11410. In at least one embodiment, the staple cartridge 11400 can comprise one or more retainer bars 11413 which can be configured to hold the longitudinal sides of the tissue thickness compensator 11420 to the deck surface

11411. In at least one such embodiment, each retainer bar 11413 can comprise opposing arms 11418 which can define a channel 11416 therebetween. In such embodiments, one of the arms 11418 can be configured to extend over the tissue thickness compensator 11420 and the other arm 11418 can be configured to extend under a lip 11419 extending from the support portion 11410. Referring primarily to FIG. 60, the channel 11416 of each retainer bar 11413 can be sized and configured to apply a compressive force to the longitudinal sides of the tissue thickness compensator 11420 prior to the staple cartridge 11400 being used. During use, referring primarily to FIG. 61, the staple cartridge 11400 can be positioned within a staple cartridge channel and, once the staple cartridge 11400 has been suitably positioned, an anvil, such as anvil 11460, for example, can be moved into a position in which it can compress the tissue thickness compensator 11420. Similar to the above, the thickness tissue compensator 11420, when compressed, can expand laterally, or outwardly, and, as a result, detach the retainer bars 11413 from the staple cartridge 11400. In certain other embodiments, the closing of the anvil 11460 may not detach, or may not completely detach, the retainer bars 11413 from the staple cartridge. In at least one such embodiment, the advancement of a firing bar, described above, through the staple cartridge 11400 can deploy the staples 10030 from the support portion 11410 and, simultaneously, squeeze the anvil 11460 and the staple cartridge 11400 closer together to apply a compressive force to the tissue thickness compensator 11420 that is sufficient to cause the tissue thickness compensator 11420 to expand laterally and detach the retainer bars 11413 from the staple cartridge 11400. Once the retainer bars 11413 have been detached from the staple cartridge 11400, the support portion 11410 can be moved away from the implanted tissue thickness compensator 11420 and removed from the surgical site.

**[0345]** In various embodiments, further to the above, a staple cartridge can comprise a plurality of fasteners configured to releasably hold a tissue thickness compensator to a support portion of the staple cartridge. In certain embodiments, the support portion can comprise a plurality of apertures defined in the deck surface, for example, wherein the fasteners can extend through the tissue thickness compensator and can be releasably retained in the support portion apertures. In use, the fasteners can be progressively released from the support portion as the staples are progressively ejected from the support

portion. In at least one such embodiment, the fasteners can be implanted with the tissue thickness compensator and, in at least one embodiment, the fasteners can be comprised of at least one bioabsorbable material, for example. In certain embodiments, the fasteners can detach from the support portion after the tissue thickness compensator has been at least partially implanted and as the support portion is moved away from the implanted tissue thickness compensator. In various embodiments, referring now to FIGS. 130-131, a staple cartridge, such as staple cartridge 11600, for example, can comprise a tissue thickness compensator 11620 releasably mounted to a support portion 11610 by a plurality of fasteners 11613. Each fastener 11613 can comprise a first end 11618 embedded within and/or otherwise engaged with the tissue thickness compensator 11620, a second end 11618 engaged with the support portion 11610, and a connector 11616 which connects the first end 11618 to the second end 11618. In various embodiments, the fasteners 11613 can extend through a knife slot 11615 defined in the support portion 11610. In use, a firing member 10052 can move a knife edge through the knife slot 11615 in the support portion 11610 and incise the fasteners 11613 in order to release the tissue thickness compensator 11620 from the support portion 11610. In at least one such embodiment, the firing bar 10052 can be advanced from a proximal end of the staple cartridge 11600 to a distal end of the staple cartridge 11600 in order to, one, advance the sled 10050 distally and progressively fire the staples 10030, as discussed above, and, two, progressively incise and/or break the fasteners 11613 to progressively release the tissue thickness compensator 11620 from the support portion 11610. In certain embodiments, similar to the above, the tissue thickness compensator 11620 can comprise a plurality of detachable segments which can each be held to support portion 11610 by one or more fasteners 11613, for example. In the event that the firing member 10052 is stopped intermediate the proximal end and the distal end of the staple cartridge 11600, as illustrated in FIG. 130, the fasteners 11613 can assist in holding the unimplanted portion of the tissue thickness compensator 11620 to the support portion 11610 after the anvil 11660 is opened and the support portion 11610 is moved away from the tissue T, as illustrated in FIG. 131. In various embodiments, further to the above, the cutting edge 10053 of the firing member 10052 can be configured to incise and/or break the fasteners 11613.

[0346] In various embodiments, referring now to FIG. 132, a staple cartridge can comprise a tissue thickness compensator, such as tissue thickness compensator 15120, for example, which can comprise a plurality of portions having different thicknesses. In at least one embodiment, the tissue thickness compensator 15120 can comprise a first, or inner, portion 15122a which can have a first thickness, second, or intermediate, portions 15122b extending from the first portion 15122a which can each have a second thickness, and third, or outer, portions 15122c extending from the second portions 15122b which can each have a third thickness. In at least one such embodiment, the third thickness can be thicker than the second thickness and the second thickness can be thicker than the first thickness, for example, although any suitable thicknesses could be utilized in various other embodiments. In various embodiments, the portions 15122a-15122c of the tissue thickness compensator 15120 can comprise steps having different thickness. In at least one embodiment, similar to the above, a staple cartridge can comprise several rows of staples 10030 and a plurality of staple drivers having different heights which can deform the staples 10030 to different formed heights. Also similar to the above, the staple cartridge can comprise first staple drivers 15140a which can drive the staples 10030 supported thereon to a first formed height, second staple drivers 15140b which can drive the staples 10030 supported thereon to a second formed height, and third staple drivers which can drive the staples 10030 supported thereon to a third formed height, wherein the first formed height can be shorter than the second formed height and the second formed height can be shorter than the third formed height, for example. In various embodiments, as illustrated in FIG. 132, each staple 10030 can comprise the same, or substantially the same, unformed, or unfired, height. In certain other embodiments, referring now to FIG. 133, the first drivers 15140a, the second drivers 15140b, and/or the third drivers 15140c can support staples having different unformed heights. In at least one such embodiment, the first staple drivers 15140a can support staples 15130a having a first unformed height, the second staple drivers 15140b can support staples 15130b having a second unformed height, and the third staple drivers 15140c can support staples 15130c having a third unformed height, wherein the first unformed height can be shorter than the second unformed height and the second unformed height can be shorter than the third unformed height, for example. In various embodiments, referring again to FIG. 133, the tips of the

staples 15130a, 15130b, and/or 15130c can lie, or at least substantially lie, in the same plane while, in other embodiments, the tips of the staples 15130a, 15130b, and/or 15130c may not lie in same plane.

**[0347]** In certain embodiments, referring now to FIG. 154, a staple cartridge can include a tissue thickness compensator 15220 having a plurality of portions having different thickness which can be implanted against the tissue T by the staples 15130a, 15130b, and 15130c, as described above. In at least one embodiment, referring now to FIG. 155, the staples 15130a, 15130b, and/or 15130c can be deformed to different formed heights wherein the first staples 15130a can be formed to a first formed height, the second staples 15130b can be formed to a second formed height, and the third staples 15130c can be formed to a third formed height, and wherein the first formed height can be shorter than the second formed height and the second formed height can be shorter than the third formed height, for example. Other embodiments are envisioned in which the staples 15130a, 15130b, and 15130c can be formed to any suitable formed heights and/or any relative formed heights.

**[0348]** As discussed above and referring to FIG. 134, a staple cartridge, such as staple cartridge 10000, for example, can comprise a support portion 10010 and a tissue thickness compensator 10020 wherein a plurality of staples 10030 can be at least partially stored in the support portion 10010 and can extend into the tissue thickness compensator 10020 when the staples 10030 are in their unfired position. In various embodiments, the tips of the staples 10030 do not protrude from the tissue thickness compensator 10020 when the staples 10030 are in their unfired positions. As the staples 10030 are moved from their unfired positions to their fired positions by the staple drivers 10040, as discussed above, the tips of the staples 10030 can penetrate through the tissue thickness compensator 10020 and/or penetrate through the upper layer, or skin, 10022. In certain alternative embodiments, the tips of the staples 10030 can protrude through the top surface of the tissue thickness compensator 10020 and/or skin 10022 when the staples 10030 are in their unfired position. In either event, the staples 10030, as they extend upwardly out of the support portion 10010 prior to being deployed, may tilt and/or deflect relative to the support portion, as also discussed above.

[0349] In various embodiments, referring now to FIG. 140, a staple cartridge can comprise a tissue thickness compensator 13620 and a skin, or top layer, 13621, for example. In at least one such embodiment, one or more pledgets, or retainers, 13622, for example, can be embedded in the skin 13621. In certain embodiments, each retainer 13622 can comprise one or more apertures 13629 defined therein which can be configured to receive the staple legs 13032 of staples 13030 therein when the staples 13030 are in their unfired position, as illustrated in FIG. 140. In use, further to the above, the staple legs 10032 can slide through the apertures 13629 when the staples 13030 are moved from their unfired position to their fired position until the bases 13031 of the staples 13030 contact the tissue thickness compensator 13620 and compress at least a portion of the tissue thickness compensator 13620 against the bottom surfaces of the pledgets 13622, for example. In various embodiments, referring now to FIG. 135, a staple cartridge can comprise a tissue thickness compensator 13120 and a skin, or top layer, 13122, for example. In at least one such embodiment, the tissue thickness compensator 13120 can comprise conical bumps, projections, and/or protrusions 13128, for example, which can extend upwardly from the top surface 13121 of the tissue thickness compensator 13120. The projections 13128 can be configured to receive and envelop the tips of the staple legs 13032 of the staples 13030 when the staples 13030 are in their unfired position, as illustrated in FIG. 135. The top layer 13122 can also comprise conical bumps, projections, and/or protrusions 13129 which can be aligned, or at least substantially aligned, with the projections 13128. In use, the staple legs 10032 can penetrate the projections 13128 and 13129 and emerge from the tissue thickness compensator 13120. In various embodiments, referring now to FIG. 139, a staple cartridge can comprise a tissue thickness compensator 13520 and a skin, or top layer, 13522, for example. In at least one such embodiment, the skin 13522 can comprise conical bumps, projections, and/or protrusions 13529, for example, which can extend upwardly from the top surface 13521 of the tissue thickness compensator 13520. Similar to the above, the projections 13529 can be configured to receive and envelop the tips of the staple legs 13032 of the staples 13030 when the staples 13030 are in their unfired position, as illustrated in FIG. 139. In use, the staple legs 10032 can penetrate the projections 13529 and emerge from the skin 13522.

[0350] In various embodiments, referring now to FIG. 136, a staple cartridge can comprise a tissue thickness compensator 13220 and a skin, or top layer, 13222, for example. In at least one such embodiment, the tissue thickness compensator 13220 can comprise conical dimples and/or recesses 13128, for example, which can extend downwardly into the top surface 13221 of the tissue thickness compensator 13220. In various embodiments, the tips of the staple legs 13032 can extend through the recesses 13128 when the staples 13030 are in their unfired position, as illustrated in FIG. 136. In at least one embodiment, the top layer 13222 can also comprise conical dimples and/or recesses 13229 which can be aligned, or at least substantially aligned, with the recesses 13228. In various embodiments, referring now to FIG. 137, a staple cartridge can comprise a tissue thickness compensator 13320 and a skin, or top layer, 13322, for example. In at least one such embodiment, the skin 13320 can comprise thick portions 13329 which can extend downwardly into the top surface 13321 of the tissue thickness compensator 13320. In various circumstances, the thick portions 13329 can be configured to receive at least a portion of the staple legs 13032 of the staples 13030 therein when the staples 13030 are in their unfired position, as illustrated in FIG. 137. In such embodiments, the thick portions 13329 can hold the staple legs 13032 in position such that the legs 13032 are aligned, or at least substantially aligned, with the staple-forming pockets of an anvil positioned opposite the tissue thickness compensator 13320. In various embodiments, referring now to FIG. 138, a staple cartridge can comprise a tissue thickness compensator 13420 and a skin, or top layer, 13422, for example. In at least one such embodiment, the skin 13422 can comprise thick portions 13429 which can extend upwardly from the top surface 13421 of the tissue thickness compensator 13420. In various circumstances, the thick portions 13429 can be configured to receive at least a portion of the staple legs 13032 of the staples 13030 therein when the staples 13030 are in their unfired position, as illustrated in FIG. 138. In such embodiments, the thick portions 13429 can hold the staple legs 13032 in position such that the legs 13032 are aligned, or at least substantially aligned, with the staple-forming pockets of an anvil positioned opposite the tissue thickness compensator 13420.

[0351] In various embodiments, referring now to FIGS. 141 and 142, a staple cartridge can comprise a tissue thickness compensator 13720 and a skin, or top layer, 13721, for



example. In at least one such embodiment, the tissue thickness compensator 13720 can comprise pyramidal and/or stepped bumps, projections, and/or protrusions 13728, for example, which can extend upwardly from the top surface 13721 of the tissue thickness compensator 13720. The projections 13728 can be configured to receive and envelop the tips of the staple legs 13032 of the staples 13030 when the staples 13030 are in their unfired position, as illustrated in FIG. 142. Similarly, the top layer 13721 can comprise pyramidal and/or stepped bumps, projections, and/or protrusions 13729 which can be aligned, or at least substantially aligned, with the projections 13728. In various embodiments, the skin 13721 can further comprise one or more teeth 13727 extending upwardly from the projections 13729 which can be configured to engage tissue positioned against the top layer 13721 and prevent, or at least limit, relative lateral and/or longitudinal movement between the tissue, the top layer 13721, and/or the tips of the staple legs 13032. In use, the staple legs 13032 can penetrate the projections 13728 and 13729 and emerge from the tissue thickness compensator 13720 when the staples 13030 are moved from their unfired positions to their fired positions. In various embodiments, referring now to FIGS. 143 and 144, a staple cartridge can comprise a tissue thickness compensator 13820 and a skin, or top layer, 13821, for example. In at least one such embodiment, the tissue thickness compensator 13820 can comprise pyramidal and/or stepped bumps, projections, and/or protrusions 13828, for example, which can extend upwardly from the top surface 13821 of the tissue thickness compensator 13820. The projections 13828 can be configured to receive and envelop the tips of the staple legs 13032 of the staples 13030 when the staples 13030 are in their unfired position, as illustrated in FIG. 144. Similarly, the top layer 13821 can comprise pyramidal and/or stepped bumps, projections, and/or protrusions 13829 which can be aligned, or at least substantially aligned, with the projections 13828. In various embodiments, the top layer 13821 can further comprise one or more teeth 13827 extending downwardly into the tissue thickness compensator 13820 which can be configured to prevent, or at least limit, relative lateral and/or longitudinal movement between the top layer 13821 and the tissue thickness compensator 13820, for example. In use, the staple legs 10032 can penetrate the projections 13828 and 13829 and emerge from the tissue thickness compensator 13820 when the staples 13030 are moved from their unfired positions and their fired positions.

[0352] In various embodiments, referring now to FIG. 145, a staple cartridge can comprise a tissue thickness compensator, such as tissue thickness compensator 13920, for example, which can include ridges 13923 and valleys 13924 defined therein wherein, in at least one embodiment, the valleys 13924 can be defined between the ridges 13923. In various embodiments, each ridge 13923 can comprise the same height, substantially the same height, or different heights. Similarly, each valley 13924 can comprise the same depth, substantially the same depth, or different depths. In various embodiments, a plurality of staples 13030 can be at least partially stored within the tissue thickness compensator 13920 such that the tips of the staples 13030 can be positioned within the ridges 13923. In at least one such embodiment, the staple legs 13032 of the staples 13030 may not protrude from the tissue thickness compensator 13920 and/or a skin, or top layer, 13921 attached to the tissue thickness compensator 13920, for example, when the staples 13030 are stored in their unfired position. In various embodiments, the ridges 13923 and/or the valleys 13924 can extend laterally across the staple cartridge. In at least one such embodiment, the staple cartridge can comprise a longitudinal knife slot wherein the ridges 13923 and the valleys 13924 can extend in a direction which is transverse and/or perpendicular to the knife slot. In various circumstances, the ridges 13923 can be configured to hold the tips of the staple legs 13032 in position until the staples 13030 are moved from their unfired position into their fired position. In various embodiments, referring now to FIG. 146, a tissue thickness compensator, and/or a skin covering a tissue thickness compensator, can comprise longitudinal ridges and/or valleys. In at least one such embodiment, a tissue thickness compensator can comprise a top surface defined by ridges 14023 and valleys 14024, wherein the valleys 14024 can be defined between the ridges 14023, for example. In various embodiments, the tissue thickness compensator can comprise a skin 14021 which can include a plurality of apertures 14029 defined therein which can each be configured to receive a staple leg 13032. In certain embodiments, the apertures 14029 can be defined in the ridges 14023 wherein the tips of the staple legs 13032 may be positioned below the peaks 14028 of the ridges 14029, positioned flush with the peaks 14028, and/or positioned above the peaks 14028. In certain embodiments, in addition to or in lieu of the above, the apertures 14029 can be defined in the valleys 14024, for example. In certain embodiments, each aperture can be surrounded, or at least

partially surrounded, by an embossment, for example, which can strengthen the skin and/or tissue thickness compensator surrounding the apertures. In any event, further to the above, the skin 14021 can be attached to a tissue thickness compensator in any suitable manner, including using at least one adhesive, for example.

**[0353]** In various embodiments, referring now to FIG. 148, a disposable loading unit 15900, for example, can comprise an anvil 15960 and a staple cartridge channel 15970 wherein the staple cartridge channel 15970 can rotate relative to the anvil 15960. In at least one such embodiment, the anvil 15960 may not be able to rotate. In certain embodiments, tissue can be positioned between the anvil 15960 and the staple cartridge channel 15970 and, thereafter, the staple cartridge channel 15970 can be rotated toward the tissue to clamp the tissue against the anvil. In at least one such embodiment, the disposable loading unit 15900 can further comprise a tissue thickness compensator 15920 which can be configured to contact the tissue.

**[0354]** In various embodiments, referring now to FIGS. 149-151, a disposable loading unit 12900 can comprise a loading assembly including a bottom portion 12922 which can be removably attached to the support portion 12610, a top portion 12990 which can be removably attached to the anvil 12560, and a flexible joint 12991 connecting the bottom portion 12922 and the top portion 12990. Similar to the above, a longitudinal retention rail 12825 can extend downwardly from the bottom portion 12922 and into the knife slot 12615 defined in the support portion 12610 such that the bottom portion 12922 can be releasably retained to the support portion 12610. Similarly, a longitudinal retention rail 12995 can extend upwardly from the top portion 12990 into a knife slot defined in the anvil 12560 such that the top portion 12990 can be releasably retained to the anvil 12560. As illustrated in FIGS. 150 and 151, a tissue thickness compensator 12620 can be mounted to the bottom portion 12922 of the loading assembly wherein, in order to position the tissue thickness compensator 12620 relative to the support portion 12610, a clinician could flex the top portion 12990 and the bottom portion 12922 toward one another, position the loading assembly between the anvil 12560 and the support portion 12610, and release the flexed loading assembly such that it can resiliently expand and bias the top portion 12990 against the anvil 12560 and the bottom portion 12922 against the support portion 12610.

[0355] In various embodiments, referring now to FIG. 152, a staple cartridge, such as staple cartridge 14900, for example, can comprise a support portion 14910 and, in addition, a tissue thickness compensator 14920 positioned against the support portion 14910. Similar to the above, the support portion 14910 can comprise staple drivers which can be lifted upwardly by a staple-deploying sled in order to lift staples, such as staples 10030, for example, at least partially positioned within the support portion 14910 toward an anvil, such as anvil 10060, for example, positioned opposite the staple cartridge 14900. In certain embodiments, the support portion 14910 can comprise six rows of staple cavities, such as two outer rows of staple cavities, two inner rows of staple cavities, and two intermediate rows of staple cavities positioned intermediate the inner rows and the outer rows, for example, wherein the anvil 10060 can comprise six rows of forming pockets 10062 aligned, or at least substantially aligned, with the staple cavities. In various embodiments, the inner rows of staple cavities can include staple drivers 14940a positioned therein, the intermediate rows of staple cavities can include staple drivers 14940b positioned therein, and the outer rows of staple cavities can include staple drivers 14940c positioned therein, wherein each of the staple drivers 14940a can include a cradle 14949a configured to support a staple 10030, wherein each of the staple drivers 14940b can include a cradle 14949b configured to support a staple 10030, and wherein each of the staple drivers 14940c can include a cradle 14949c configured to support a staple 10030. In their unfired positions, i.e., when the staple drivers 14940a-14940c are sitting on driver supports 14926 which extend underneath the support portion 14910, the cradles 14949a of the staple drivers 14940a can be positioned closer to the anvil 10060 than the cradles 14949b of the staple drivers 14940b and the cradles 14949c of the staple drivers 14940c. In such a position, a first forming distance can be defined between the cradles 14949a and the forming pockets 10062 positioned over the cradles 14949a, a second forming distance can be defined between the cradles 14949b and the forming pockets 10062 positioned over the cradles 14949b, and a third forming distance can be defined between the cradles 14949c and the forming pockets 10062 positioned over the cradles 14949c, wherein, in various embodiments, the first forming distance can be shorter than the second forming distance and the second forming distance can be shorter than the third forming distance, for example. When the staple drivers 14940a-14940c are moved from

their unfired positions (FIG. 152) to their fired positions, each staple driver 14940a-14940c can be moved upwardly an equal, or an at least substantially equal, distance toward the anvil 10060 by the staple-deploying sled such that the first drivers 14940a drive their respective staples 10030 to a first formed height, the second drivers 14940b drive their respective staples 10030 to a second formed height, and the third drivers 14940c drive their respective staples 10030 to a third formed height, wherein the first formed height can be shorter than the second formed height and the second formed height can be shorter than the third formed height, for example. Various other embodiments are envisioned in which the first staple drivers 14940a are displaced upwardly a first distance, the second staple drivers 14940b are displaced upwardly a second distance, and the third staple drivers 14940c are displaced upwardly a third distance, wherein one or more of the first distance, the second distance, and the third distance can be different.

[0356] In various embodiments, referring again to FIG. 152, the deck surface 14911 of the support portion 14910 can vary in height with respect to the tissue-contacting surface 10061 of the anvil 10060. In certain embodiments, this height variation can occur laterally and, in at least one embodiment, the height of the deck surface 14911 surrounding the inner rows of staple cavities can be higher than the deck surface 14911 surrounding the outer rows of staple cavities, for example. In various embodiments, the bottom surface 14922 of the tissue thickness compensator 14920 can be configured to parallel, or at least substantially parallel, the deck surface 14911 of the support portion 14910. Further to the above, the tissue thickness compensator 14920 can also vary in thickness wherein, in at least one embodiment, the top, or tissue-contacting, surface 14921 of the tissue thickness compensator 14920 can slope inwardly from the outside or lateral edges thereof. In at least one such embodiment, as a result of the above, the tissue thickness compensator 14920 can be thinner in a region positioned over the inner rows of staple cavities and thicker in a region positioned over the outer rows of staple cavities, for example. In various embodiments, referring now to FIG. 153, the deck surface of a support portion 15010 can comprise a stepped deck surface, for example, wherein the highest steps of the stepped surface can surround the inner rows of staple cavities and the lowest steps of the stepped surface can surround the outer rows of staple cavities, for example. In at least one such embodiment, steps having an intermediate height can surround the intermediate rows of

staple cavities. In certain embodiments, a tissue thickness compensator, such as tissue thickness compensator 15020, for example, can comprise a bottom surface which can parallel and abut the deck surface of the support portion 15010. In at least one embodiment, the top, or tissue-contacting, surface 15021 of the tissue thickness compensator can comprise an arcuate, parabolic, and/or curved surface, for example, which, in at least one such embodiment, can extend from a first lateral side of the tissue thickness compensator 15020 to a second lateral side of the tissue thickness compensator 15020 with an apex aligned, or at least substantially aligned, with the center of the staple cartridge 15000, for example.

**[0357]** In various embodiments, further to the above, a staple-firing sled 10050 of a staple cartridge 10000 can be moved from a proximal end of the staple cartridge 10000 toward a distal end 10002 of the staple cartridge, as illustrated in FIGS. 161 and 162, by a firing member, illustrated elsewhere. As the sled 10050 is advanced, the sled 10050 can contact the staple drivers 10040 and lift the staple drivers 10040 upwardly within the staple cavities 10012 defined in a cartridge body 10010 of the staple cartridge 10000. In at least one embodiment, the sled 10050 and the staple drivers 10040 can each comprise one or more ramps, or inclined surfaces, which can co-operate to move the staple drivers 10040, and the staples supported thereon, upwardly from their unfired positions. The staple cartridge 10000 can further comprise a pan 10027, for example, which can at least partially surround the bottom of the cartridge body 10010 and at least partially contain the staple drivers 10040 within the cartridge body 10010. The cartridge body 10010 can further comprise a longitudinal slot 10016 defined therein which can be configured to at least partially receive the firing member as it passes through the staple cartridge 10000.

**[0358]** Turning now to FIG. 163, the staples contained within the staple cartridge body 10010 can be fired sequentially between a proximal end 10001 and a distal end 10002 of the staple cartridge 10000. In various embodiments, the staple cartridge 10000 can comprise staple drivers 10040a, 10040b, and 10040c, for example, which can fire the staples in a predetermined manner. For instance, the staple cartridge 10000 can comprise a proximal driver 10040c positioned on a first side of the longitudinal slot 10016 and a second proximal driver 10040c positioned on a second, or opposite, side of the slot 10016. Each driver 10040c can be configured to fire two staples, i.e., the two proximal-most

staples, simultaneously. Such staples are positioned in the staple cavities designated 10012c. In fact, of the two staple cavities designated 10012c on each side of the slot 10016, such staple cavities 10012c can comprise a distal staple cavity designated 10013c and a proximal staple cavity 10014c. The reader will appreciate that the staple cavity 10013c is positioned in a different staple row than the staple cavity 10014c. In fact, the staple cavities 10013c and 10014c may be located in the two innermost rows of staples with the third, outermost, staple row not having a staple which is fired by a driver 10040c. Furthermore, the staple cartridge 10000 can comprise an intermediate driver 10040b positioned on a first side of the longitudinal slot 10016 and a second intermediate driver 10040b positioned on a second, or opposite, side of the slot 10016. Each driver 10040b can be configured to fire three staples simultaneously. Such staples are positioned in the staple cavities designated 10012b. In fact, of the three staple cavities designated 10012b on each side of the slot 10016, such staple cavities 10012b can comprise a distal staple cavity designated 10013b, an intermediate staple cavity 10014b, and a distal staple cavity 10015b. The reader will also appreciate that the staple cavities 10013b, 10014b, and 10015b are all positioned in different staple rows. In addition, the staple cartridge 10000 can comprise a distal driver 10040a positioned on a first side of the longitudinal slot 10015 and a second distal driver 10040a positioned on a second, or opposite, side of the slot 10015. Each driver 10040a can be configured to fire four staples simultaneously. Such staples are positioned in the staple cavities designated 10012a. In fact, of the four staple cavities designated 10012a on each side of the slot 10016, such staple cavities 10012a can comprise two distal staple cavities designated 10013a, an intermediate staple cavity 10014a, and a distal staple cavity 10015a. The reader will also appreciate that the staple cavities 10013a, 10014a, and 10015a are all positioned in an array extending across all three staple rows on a side of the longitudinal slot 10016. In fact, the distal-most staples positioned within the distal-most cavities 10013a within the cartridge body 10010 are positioned in the inner and outer staple rows and extend distally with respect to the distal-most staple cavity 10014a in the intermediate row positioned between the inner row and outer row of staple cavities. While only a few staple drivers 10040a, 10040b, and 10040c are discussed above, the staple cartridge 10000 can comprise any suitable number of staple drivers to eject the staples from the staple cavities. Such staple drivers can eject

two, three, four, and/or more staples simultaneously. With particular reference to FIG. 18, a staple cartridge can comprise one or more staple drivers 41040a, for example, configured to support two staples thereon, one or more drivers 41040b, for example, configured to support three staples thereon, and/or one or more staple drivers 41040c configured to support four staples thereon. In various embodiments, the last, or distal-most, drivers contained within a cartridge can comprise drivers 41040c which can include two distal support cradles 41041c which can hold the last staples in a staple line. For instance, the drivers 41040a-c support staples in six staple lines and drivers 41040c support the last staples in four of those lines. Such staples can be aligned, or at least substantially aligned, along an axis which is perpendicular to a cut path which extends along a longitudinal axis. Such staples, owing to their arrangement, can provide various hemostatic advantages. The last staples in the other two staple lines can be supported by cradles 41041b.

**[0359]** In various embodiments, a staple cartridge for a surgical stapler can include a layer, such as a tissue thickness compensator and/or a buttress material, for example, arranged on a staple deck of a staple cartridge. In use, the layer and patient tissue can be captured by staples when the staples are fired. Then, the layer can be separated from the surgical stapler and can remain in the patient when the stapler is removed from the patient. In certain embodiments, a distal end of the layer can be attached to the staple cartridge to stabilize the layer relative to the staple cartridge while the staple cartridge and the layer are being positioned relative to patient tissue.

**[0360]** In certain embodiments in which a distal end of the layer is attached to the staple cartridge, the staple cartridge can include a distally-arranged cutting blade that cuts the layer free from the distal end that is attached to the staple cartridge. FIGS. 81A-83 illustrate a staple cartridge assembly 2300 that includes a staple cartridge 2330 and a distal cutting blade 2324 arranged in a distal cavity 2332 of the staple cartridge 2330. As described in greater detail below, the distal cutting blade 2324 can be moved from an undeployed position within the distal cavity 2332 to a deployed position in which the cutting blade 2324 extends out of the distal cavity 2332 to sever a distal end portion 2316 of a layer 2306 arranged on the staple cartridge.



[0361] Referring to FIGS. 82 and 83, in various embodiments, the distal portion 2316 of the layer 2306 can be attached to the staple cartridge 2300 by being captured between the staple cartridge 2300 and a panel 2310 extending proximally from a nose 2308 of the staple cartridge assembly 2300. In certain embodiments, the layer 2306 can be captured by being compressed between the staple cartridge 2330 and the panel 2310. Put differently, a gap between the staple cartridge 2330 and the panel 2310 can be smaller than a thickness of the distal portion 2316 of the layer 2306 positioned in the gap so that the distal portion 2316 is compressed between the staple cartridge 2330 and the panel 2310. In certain embodiments, referring to FIGS. 82 and 83, the distal portion 2316 of the layer 2306 can include one or more apertures 2320. One or more pegs 2318 can extend from the panel 2308 and pass through the apertures 2320 to capture the distal portion 2316 of the layer 2306. In certain embodiments, the distal portion 2316 of the layer 2306 can be attached to the staple cartridge 2330 by adhesives, welding, and/or heat staking, for example.

[0362] The distal cutting blade 2324 that severs the distal portion 2316 of the layer 2306 from the remainder of the layer 2306 can be arranged in a distal cavity 2332 of the staple cartridge 2330. The distal cavity 2332 and the distal cutting blade 2324 can be positioned such that the distal cutting blade 2324 can sever the distal portion 2316 of the layer 2306 at a proximal location relative to a location where the distal portion 2316 is attached to the staple cartridge 2330. For example, referring to FIGS. 82 and 83, the distal cutting blade 2324 can sever the distal portion 2316 of the layer 2306 at a proximal location relative to the pegs 2318 and apertures 2320 that attach the distal portion 2316 to the staple cartridge 2330. As a result, when the distal cutting blade 2324 severs the distal portion 2316 of the layer 2306, the remainder of the layer 2306 can be released from the staple cartridge.

[0363] The distal cutting blade 2324 can include a cam 2322 that can push the distal cutting blade 2324 out of the distal cavity 2332. The cam 2322 can engage rails and/or channels 2334 in the distal cavity 2332 that can constrain the movement of the cam 2322 and the distal cutting blade 2324 to a particular direction as the blade 2324 extends out of the distal cavity 2332. The rails and/or channels 2334 are illustrated in FIGS. 82 and 83 as being perpendicular to the staple deck 2302 of the staple cartridge 2330. In such an

arrangement, when moved from an undeployed position (shown in FIG. 82) to a deployed position (shown in FIG. 83), the distal cutting blade 2324 can extend from the distal cavity 2332 in a direction that is perpendicular to the staple deck 2302 of the staple cartridge 2330. In various embodiments, the rails and/or channels 2334 can be arranged at any suitable angle relative to the staple deck 2302 of the staple cartridge 2330. For example, the rails or channels 2334 can be arranged at a 30° angle relative to the staple deck 2302 of the staple cartridge 2330 such that the distal cutting blade 2324 extends out of the distal cavity 2322 partially in a distal direction that is 30° from perpendicular relative to the staple deck 2302 of the staple cartridge 2330.

**[0364]** To deploy the distal cutting blade, the cam 2322 can be pushed by a firing member 2326. The firing member 2326 can be arranged in a slot in the staple cartridge 2330, such as the knife slot 2304, for example. The firing member 2326 can include cam surfaces 2328 and 2329 that can engage the cam 2322 to displace the cam 2322 and the distal cutting blade 2324 towards the layer 2306. The firing member 2326 can move distally relative to the cam 2322 and the distal cutting blade 2324 from an unactuated position to an actuated position to deploy the cutting blade 2324 and sever the distal portion 2316 of the layer 2306. FIG. 82 illustrates the firing member 2326 in an unactuated position in which the cam surfaces 2328 and 2329 have not engaged the cam 2322. In various embodiments, one or both of the surfaces 2328 and 2329 of the firing member 2326 can be in contact the cam in an unactuated position so long as the distal cutting blade 2324 is not pushed out of the distal cavity 2332. As the firing member 2326 moves distally to an actuated position illustrated in FIG. 83, the cam surfaces 2328 of the firing member 2326 engage the cam 2322 to progressively push the cam 2322 and the distal cutting blade 2324 to a deployed position such that the distal cutting blade severs the distal portion 2316 of the layer 2306.

**[0365]** As described above, the cam 2322 can engage rails and/or channels 2334 in the distal cavity 2332. Furthermore, the rails and/or channels 2334 can be arranged at an angle relative to the staple deck 2302 of the staple cartridge 2330. In various embodiments, the rails and/or channels 2334 can be arranged at an angle such that the cam 2322 and the distal cutting blade 2324 move distally as the blade 2324 deploys from the distal cavity. In various circumstances, arranging the rails at such an angle can reduce

the amount of force required to actuate the firing member 2326 by aligning a component of the movement of the cam 2322 and the blade 2324 along a longitudinal axis along which the firing member 2326 moves. Arranging the rails at such an angle can also reduce the likelihood of binding between the cam 2322 and the firing member 2326 and/or between the cam 2322 and the rails and/or channels 2324 in the distal cavity 2332.

[0366] In various embodiments, the firing member 2326 can be moved distally from an unactuated position to an actuated position by the cutting blade 2312 and/or a staple driver 2340. In various embodiments, the firing member 2326 can be integral with the tissue-cutting blade 2312 and/or the staple driver 2340 such that the firing member 2326 travels through the staple cartridge 2330 and along a longitudinal axis of the staple cartridge 2330 with the tissue cutting blade 2312 and/or the staple driver 2340. In various other embodiments, the firing member 2326 can be separate from the tissue-cutting blade 2312 and/or the staple driver 2340. In such embodiments, the tissue-cutting blade 2312 and/or the staple driver 2340 can push the firing member 2326 through the staple cartridge 2330. Alternatively, in such embodiments in which the firing member 2326 is separate from the tissue-cutting blade 2312 and/or the staple driver 2340, the firing member 2326 can be positioned at a distal end of the staple cartridge 2330 in an unactuated position, as illustrated in FIG. 82. The cutting blade 2312 and/or the staple driver 2340 can travel through the staple cartridge 2330 and then push the firing member 2326 into the actuated position illustrated in FIG. 83 as the cutting blade 2312 and/or the staple driver 2340 reach the distal end of the staple cartridge 2330. In all of these embodiments, motion of the tissue-cutting blade 2312 and/or the staple driver 2340 in a direction along a longitudinal axis of the staple cartridge 2330 can cause the distal cutting blade 2324 to deploy in a direction different from the tissue-cutting blade and/or the staple driver 2340.

[0367] In various embodiments, the distal cutting blade 2324 is not deployed to sever the distal portion 2316 of the layer 2306 until the firing stroke of the tissue cutting blade 2312 and/or the staple driver 2340 have been completed or are almost completed. In such embodiments, the distal portion 2316 of the layer 2306 can remain attached to the staple cartridge 2330, thereby stabilizing the layer 2306 relative to the staple cartridge 2330, until most or all of the staples have been fired by the staple driver 2340 and/or until patient tissue and the layer 2306 have been severed by the tissue cutting blade 2312. In various

other embodiments, the distal cutting blade 2324 can be deployed to sever the distal portion 2316 of the layer 2306 before the tissue cutting blade 2312 and/or the staple driver 2340 have begun their firing stroke. For example, the firing member 2326 can be moved from the unactuated position illustrated in FIG. 82 to the actuated position illustrated in FIG. 83 by a first actuation of a firing trigger of a surgical stapler. A subsequent actuation of the firing trigger can move the tissue cutting blade 2312 and/or the staple driver 2340. As a result, the distal portion 2316 of the layer 2306 can be detached from the staple cartridge 2330 before the tissue cutting blade 2312 severs patient tissue and/or before the staples capture the layer 2306 and patient tissue. As another example, the firing member 2326 can be actuated by a first trigger of the surgical instrument and the tissue-cutting blade 2312 and/or the staple driver 2340 can be actuated by a second trigger.

**[0368]** As described above, the nose 2308 of the staple cartridge assembly 2300 can include a panel 2310 that extends proximally from the nose 2308 and that at least partially covers the distal portion 2316 of the layer 2306. The panel 2310 can include an inward-facing surface 2309 that can face the distal portion 2316 of the layer 2306. In certain embodiments, the inward-facing surface 2309 of the panel 2310 can support the distal portion 2316 of the layer 2306 as the distal cutting blade 2324 severs the distal portion 2316. In various circumstances, when the distal cutting blade 2324 is deployed, the distal cutting blade 2324 can eventually make contact with the inward-facing surface 2309, thereby completely severing the distal portion 2316 of the layer 2306 from the remainder of the layer 2306.

**[0369]** The panel 2310 can also protect patient tissue from the distal cutting blade 2324. In various circumstances, unaffected patient tissue that is not severed by the tissue cutting blade 2312 and/or stapled by staples from the staple cartridge 2330 can pass over an outward-facing surface 2311 of the panel 2310. In such circumstances, the panel 2310 can shield the unaffected tissue from the distal cutting blade 2324. For example, as illustrated in FIG. 83, the panel 2310 can be positioned between the distal cutting blade 2324 extending out of the distal cavity 2332 and patient tissue proximate to the outward-facing surface 2311 of the panel 2310, such that the patient tissue is not exposed to the distal cutting blade 2324.

[0370] Referring now to FIGS. 77-79, a staple cartridge 20000 can comprise a cartridge body 20010 and a tissue thickness compensator 20020 releasably attached thereto. The staple cartridge 20000 can comprise any suitable arrangement of staples, staple cavities, and/or staple drivers which are fired by a sled, or firing member, passing distally through the staple cartridge 20000 to capture at least a portion of the tissue thickness compensator 20020 and at least a portion of the patient tissue within the staples, as described elsewhere herein. Such discussion of the staples, staple cavities, and staple drivers is not repeated here for the sake of brevity to the reader. Referring primarily now to FIGS. 77 and 77A, the staple cartridge 20000 can include a sled 20060 which is advanced distally by a firing member 20050. At a certain point during the distal progression of the firing member 20050 and the sled 20060, the sled 20060, for example, can be configured to release the tissue thickness compensator 20020 from the cartridge body 20010, as illustrated in FIGS. 78 and 79. For instance, the distal end 20022 of the tissue thickness compensator 20020 can be releasably retained to the distal end of the cartridge body 20010 by a flexible clamp 20013 and a retention pin 20072 wherein the sled 20060 can defeat, or withdraw, the retention pin 20072. The flexible clamp 20013 can be configured to securely hold the tissue thickness compensator 20020 against the deck 20015 of the cartridge body 20010. In such circumstances, the flexible clamp 20013 can provide a sufficient clamping force to the tissue thickness compensator 20020 in order to hold the tissue thickness compensator 20020 in place. The retention pin 20072 may also securely hold the tissue thickness compensator 20020 to the cartridge body 20010. For instance, referring to FIGS. 77 and 77A, the distal end 20022 of the tissue thickness compensator 20020 can comprise an aperture 20023 defined therein which can be configured to receive the retention pin 20072 and, owing to the interaction between the retention pin 20072 and the sidewalls of the aperture 20023, the retention pin 20072 can prevent the tissue thickness compensator 20020 from sliding out between the clamp 20013 and the cartridge deck 20015. Moreover, the retention pin 20072 and the clamp 20013 can co-operatively confine the movement of the tissue thickness compensator 20020 and, in various circumstances, the top of the retention pin 20072 can abut or can be positioned closely adjacent to the clamp 20013.

**[0371]** In use, further to the above, the retention pin 20072 can be lowered by the sled 20060, as illustrated in FIGS. 78 and 79. More specifically, the retention pin 20072 can extend from a cam 20070 wherein the cam 20070 can rest or sit upon a resilient member, or spring, 20012 extending from a pan 20011 attached to the cartridge body 20010 and, when the sled 20060 engages the cam 20070, the sled 20060 can push the cam 20070 and the retention pin 20072 downwardly thereby compressing the spring 20012. The cartridge body 20010 can include guides 20018 defined therein which confine the movement of the cam 20070 along a substantially vertical path, i.e., a path perpendicular to cartridge deck 20015. In various embodiments, the sled 20060 can include a cam actuator 20062 which extends distally with respect to the staple driver lift surfaces 20063. Once the pin 20072 has been sufficiently lowered, the tissue thickness compensator 20020 can slide relative to cartridge deck 20015 and slip out of the clamp 20013. In various circumstances, the pin 20072 can be lowered a sufficient amount while still at least partially protruding from the cartridge deck 20015. In other circumstances, the pin 20072 can be lowered beneath the cartridge deck 20015. In either event, the cam actuator 20062 and staple driver lift surfaces 20063 of the sled 20060 can be configured such that the retention pin 20072 is sufficiently lowered at the same time that the last, or distal-most, staple is fired by the sled 20060. In other circumstances, the cam actuator 20062 and staple driver lift surfaces 20063 of the sled 20060 can be configured such that the retention pin 20072 is sufficiently lowered before the last, or distal-most, staple is fired by the sled 20060. In yet other circumstances, the cam actuator 20062 and staple driver lift surfaces 20063 of the sled 20060 can be configured such that the retention pin 20072 is sufficiently lowered after the last, or distal-most, staple is fired by the sled 20060. Although cam 20070 is described herein as having one retention pin 20072, a plurality of retention pins 20072 can extend from the cam 20070 which can each be configured to releasably retain the tissue thickness compensator 20020 to the cartridge body 20010. Accordingly, the tissue thickness compensator 20020 can include a suitable number of apertures 20023 configured to receive the retention pins 20072.

**[0372]** Referring now to FIGS. 80 and 81, a cartridge 21000, for example, can comprise a cartridge body 21010, a tissue thickness compensator 21020 releasably secured to the cartridge body 21010, and a sled 21060 which can be configured to release the tissue

thickness compensator 21020 from the cartridge body 21010. Similar to the above, the sled 21060 can comprise staple driver lift surfaces 21063 which are configured to lift staple drivers, and staples supported thereon, toward an anvil positioned opposite the tissue thickness compensator 21020. Also similar to the above, the sled 21060 can further comprise a cam actuator 21062 which can be configured to deactivate a clamp 21013 holding a distal end 21022 of the tissue thickness compensator 21020 to the deck surface 21015 of the cartridge body 21010. More specifically, the clamp 21013 can include a cam 21072 extending downwardly into the cartridge body 21010 wherein the cam 21072 can be engaged by the cam actuator 21062 as the sled 21060 is advanced distally through the staple cartridge 21000. When the cam actuator 21062 engages the cam 21072, the cam actuator 21062 can lift the cam 21072 upwardly and flex the clamp 21013 away from the distal end 21022 of the tissue thickness compensator 21020, as illustrated in FIG. 81. At such point, the cartridge body 21010 can be moved away from the tissue thickness compensator 21020. Stated another way, by the time that the tissue thickness compensator 21020 is released from the cartridge body 21010, the tissue thickness compensator 21020 will have been implanted to the patient tissue by one or more staples wherein, after the tissue thickness compensator 21020 has been released, the cartridge body 21010 can be moved away from the implanted tissue thickness compensator 21020 and removed from the surgical site.

**[0373]** Further to the above, the cam actuator 21062 and staple driver lift surfaces 21063 of the sled 21060 can be configured such that the cam 21072 is sufficiently raised to sufficiently reduce the clamping force applied by the clamp 21013 at the same time that the last, or distal-most, staple is fired by the sled 21060. In other circumstances, the cam actuator 21062 and staple driver lift surfaces 21063 of the sled 21060 can be configured such that the cam 21072 is sufficiently raised to sufficiently reduce the clamping force applied by the clamp 21013 before the last, or distal-most, staple is fired by the sled 21060. In yet other circumstances, the cam actuator 21062 and staple driver lift surfaces 21063 of the sled 21060 can be configured such that the cam 21072 is sufficiently raised to sufficiently reduce the clamping force applied by the clamp 21013 after the last, or distal-most, staple is fired by the sled 21060. Although the clamp 21013 is described herein as having one cam 21072 extending therefrom, a plurality of cams 21072 can

extend from the clamp 21013 which can each be configured to lift the clamp 21013 and release the tissue thickness compensator 20020 from the cartridge body 20010.

**[0374]** Further to the above, a sled, or firing member, passing through a staple cartridge can release a tissue thickness compensator from a cartridge body at the end, or near the end, of the distal movement of the sled and/or the end of the firing stroke of the firing member. Stated another way, the tissue thickness compensator can be released from the cartridge body at the same time, or nearly the same time, that all of the staples have been fired from the staple cartridge. In various other embodiments, the tissue thickness compensator can be released from the cartridge body at the same time, or before, the first, or proximal-most, staples have been fired from the staple cartridge. One such exemplary embodiment is depicted in FIGS. 90-92 which illustrate a staple cartridge 22000. Similar to the above, the staple cartridge 22000 can comprise a cartridge body 22010 and a tissue thickness compensator 22020 releasably secured thereto. Although the staple cartridge 22000 can further include a staple-firing sled as described above, the sled may not release the tissue thickness compensator 22020; rather, the staple cartridge 22000 may further comprise an actuator 22011 which can be advanced distally by the firing member at the beginning of the firing stroke thereof. Various other embodiments are disclosed herein which disclose means for advancing an actuator distally and are not repeated with regard to this embodiment for sake of brevity to the reader. In any event, the actuator 22011 can include a cam support 22012 extending therefrom which can be configured to support a cam 22070 when the actuator 22011 is in its unactuated position, as illustrated in FIG. 90. Moreover, the staple cartridge 22000 can further comprise a biasing member, or spring, 22074 which can be configured to hold or bias the cam 22070 against the cam support 22012 while, again, the actuator 22011 is in its unactuated position illustrated in FIG. 90. In such a position of the cam 22070, a retention pin 22072 extending from the cam 22070 can be engaged with and extend through an aperture 22023 defined in a distal end 22022 of the tissue thickness compensator 22020 such that, similar to the above, the retention pin 22072, and/or the retention pin 22072 in concert with a clamp 22013 extending from the cartridge body 22010, can hold the tissue thickness compensator 22020 in position.

**[0375]** When the actuator 22011 is advanced distally by the firing member, referring now to FIG. 91, the cam support 22012 can be advanced distally such that the cam support



22012 may no longer support the cam 22070. In such circumstances, the spring 22074 may bias the cam 22070 downwardly such that the retention pin 22072 is biased out of engagement, or at least partially out of engagement, with the tissue thickness compensator 22020. In at least one circumstance, the spring 22074 can bias the cam 22070 downwardly such that the retention pin 22072 is positioned below the deck 22015 of the cartridge 22010. In any event, the distal advancement of the actuator 22011 can release the tissue thickness compensator 22020 from the cartridge body 22010. Stated another way, once the retention pin 22072 has been lowered, the clamp 22013 may still provide a holding force to the tissue thickness compensator 22020 such that the tissue thickness compensator 22020 remains pinned against the staple deck 22015; however, the tissue thickness compensator 22020 can be slid out from underneath the clamp 22013 upon the application of a sufficient relative force between the tissue thickness compensator 22020 and the cartridge body 22010. Further to the above, the release of the tissue thickness compensator 22020 from the cartridge body 22010 can occur before, contemporaneous with, and/or immediately after the proximal-most staples are fired from the staple cartridge 22000. In such circumstances, the early release of the tissue thickness compensator 22020 may permit the tissue thickness compensator 22020 to be released from the cartridge body 22010 eventhough the staple cartridge 22000 has only been partially fired, for example.

**[0376]** Referring now to FIGS. 84-87, an end effector assembly 5000 can include a first jaw, illustrated elsewhere, and a second jaw 5002. In various embodiments, the second jaw 5002 can include a cartridge assembly that includes a fastener cartridge body 5050 and a tissue thickness compensator 5058 releasably secured to the fastener cartridge body 5050. Referring primarily to FIG. 84, the fastener cartridge body 5050 can have a cartridge deck 5052 and fastener cavities 5054 defined in the cartridge deck 5052. Further, the second jaw 5002 can include fasteners, such as surgical staples, for example, which can be removably positioned in the fastener cavities 5054. For example, a fastener can be ejectably positioned in each fastener cavity 5054 of the cartridge body 5050. In certain embodiments, the cartridge body 5050 can include a slot 5056, which can extend from a proximal portion 5004 of the second jaw 5002 toward a distal portion 5006 of the second jaw 5002. In various embodiments, a firing assembly 5030 can translate along the

slot 5056 of the cartridge body 5050. For example, the firing assembly 5030 can translate within the slot 5056 during a firing stroke, and can eject the fasteners from the fastener cavities 5054 during the firing stroke.

**[0377]** Referring primarily to FIGS. 84, 86 and 87, the firing assembly 5030 can include a firing bar (FIG. 84), a cutting edge 5036, a crossbar 5038, and a foot 5044 (FIGS. 86 and 87). The cutting edge 5036 can cut tissue and/or cut the tissue thickness compensator 5058 as the firing assembly 5030 is fired through the second jaw 5002 during a firing stroke. The crossbar 5038 can hold the first jaw relative to the cartridge body 5050, and the foot 5044 can hold the firing assembly 5030 relative to the cartridge body 5050, for example. In various embodiments, the crossbar 5038 and the foot 5044 can hold the cutting element 5036 perpendicular to the deck 5052 of the fastener cartridge 5050, for example. Referring primarily to FIGS. 29A and 29B, the firing assembly 5030 can engage a sled 5034 in the cartridge body 5050 during the firing stroke. The firing assembly 5030 can push the sled 5034 distally during the firing stroke to eject fasteners from the fastener cavities 5054, for example.

**[0378]** Referring primarily to FIG. 84, the tissue thickness compensator 5058 can be releasably secured to the cartridge body 5050 by at least one connector 5080a, 5080b. In certain embodiments, multiple connectors 5080a, 5080b can secure the tissue thickness compensator 5058 to the cartridge body 5050. For example, a proximal connector 5080a can secure the tissue thickness compensator 5058 to the cartridge body 5050 at the proximal portion 5004 of the second jaw 5002, and a distal connector 5080b can secure the tissue thickness compensator 5058 to the cartridge body 5050 at the distal portion 5006 of the second jaw 5002. In certain embodiments, additional connectors can secure the tissue thickness compensator 5058 to the cartridge body 5050. In such embodiments, the additional connectors can be spaced along at least a portion of the length of the cartridge body 5050, and can be positioned between the proximal connector 5080a and the distal connector 5080b, for example.

**[0379]** Still referring primarily to FIG. 84, the connectors 5080a, 5080b can hold the tissue thickness compensator 5058 relative to the cartridge body 5050. The tissue thickness compensator 5058 can be released from the cartridge body 5050 when the connectors 5080a, 5080b are broken, cut, dislodged or otherwise overcome. In certain

embodiments, the firing assembly 5030 can overcome the connectors 5080a, 5080b as the firing assembly 5030 translates along the slot 5056 in the fastener cartridge 5050 during a firing stroke. During such a firing stroke, the firing assembly 5030 can cut tissue clamped between the first jaw and the second jaw 5002, and can also move the fasteners from the fastener cavities 5054 into the clamped tissue. In various embodiments, the firing assembly 5030 can push the sled 5034 (FIGS. 86 and 87) distally during the firing stroke. The sled 5034 can have a camming surface or ramp 5042, which can engage drivers in the fastener cavities 5054. When the ramp 5042 engages a driver, the ramp 5042 can push the driver toward the deck 5052 to eject the fastener from the fastener cavity 5054. Further, the firing assembly 5030 can cut the tissue thickness compensator 5058 and the connectors 5080a, 5080b during the firing stroke.

**[0380]** Referring primarily to FIG. 84, the cutting edge 5036 of the firing assembly 5030 can cut the proximal connector 5080a at or near the beginning of the firing stroke, for example, and can cut the distal connector 5080b at or near the end of the firing stroke, for example. In certain embodiments, the sled 5034 (FIGS. 86 and 87) can eject the fasteners from the fastener cavities 5054 after the cutting edge 5036 cuts the proximal connector 5080a and before the cutting edge 5036 cuts the distal connector 5080b. In such embodiments, if the firing assembly 5030 does not complete the firing stroke, the cutting edge 5036 of the firing assembly 5030 may stop before reaching the distal connector 5080b, and the tissue thickness compensator 5058 may remain secured to the cartridge body 5050 at the distal portion 5006 of the second jaw 5002. In certain embodiments, the tissue thickness compensator 5058 can remain secured to the cartridge body 5050 until the operator cuts or otherwise overcomes the distal connector 5080b. For example, the operator may introduce an additional surgical instrument and/or step in the surgical procedure to overcome the distal connector 5080b.

**[0381]** Referring still to FIGS. 84-87, in various embodiments, the second jaw 5002 can overcome the connectors 5080a, 5080b at or near the beginning of the firing stroke. In other words, an element of the second jaw 5002 can overcome the proximal connector 5080a, the distal connector 5080b, and any additional connectors therebetween at or near the beginning of the firing stroke. For example, the second jaw 5002 and/or the cartridge assembly can include an actuator 5010, which can overcome the distal connector 5080b

before the fasteners are ejected from the fastener cavities. The actuator 5010 can overcome the distal connector 5080b and the tissue thickness compensator 5358 can be released from the cartridge body 5050 even when the firing stroke terminates prematurely, *i.e.*, before the firing assembly 5030 reaches the distal portion 5006 of the second jaw 5002, for example. In various embodiments, the actuator 5010 can include a bottom side 5016 (FIGS. 85A-85C) and sidewalls 5018 (FIGS. 84 and 85D). The sidewalls 5018 can extend from the bottom side 5016 and around at least a portion of the cartridge body 5050. The bottom side 5016 and/or the sidewalls 5018 can extend past or around the fasteners positioned in the fastener cavities 5054. Further, the actuator 5010 can be moveably held relative to the cartridge body 5050. For example, the actuator 5010 can move from a pre-actuated position (FIG. 85A) to an actuated position (FIGS. 85B and 85D). In certain embodiments, the sidewalls 5018 of the actuator 5010 can engage slits in the cartridge body 5050, such that the actuator 5010 moves in the slits to slide relative to the cartridge body 5050. When the actuator 5010 moves relative to the cartridge body 5050, the actuator 5010 can slide relative to the fasteners positioned in fastener cavities 5054 of the cartridge body 5050. For example, the actuator 5010 can slide past and/or around the fasteners positioned in the fastener cavities 5054.

**[0382]** Referring primarily to FIGS. 85A-85C, the actuator 5010 can include a slot 5012, which can extend from the proximal portion 5004 toward the distal portion 5006 of the second jaw 5002. The slot 5012 in the actuator 5010 can correspond to and/or be aligned with the slot 5056 (FIG. 84) in the cartridge body 5050, for example. Further, the firing assembly 5030 can translate along and/or within the slot 5012 in the actuator 5010 as the firing assembly 5030 translates along and/or within the slot 5056 in the cartridge body 5050 during the firing stroke. In various embodiments, the firing assembly 5030 can engage the actuator 5010 to move the actuator 5010 distally when the firing assembly 5030 is at or near the beginning of the firing stroke. In such embodiments, the firing assembly 5030 can actuate the actuator 5010 at the proximal portion 5004 of the second jaw 5002. When the actuator 5010 is actuated and moves distally, a distal end of the actuator 5010 can cut or otherwise overcome the distal connector 5080b, for example. In other words, proximal actuation of the actuator 5010 can effectuate distal release of the tissue thickness compensator 5058 from the cartridge body 5050. In various

embodiments, the actuator 5010 can merely shift distally to overcome the distal connector 5080b. In at least one embodiment, the actuator 5010 can shift approximately 1 mm, for example, before overcoming the distal connector 5080b. In certain embodiments, the actuator 5010 can shift approximately 0.5 mm to approximately 5 mm, for example, before overcoming the distal connector 5080b.

[0383] Referring primarily to FIGS. 85A and 85B, the actuator 5010 can move from the pre-actuated position (FIG. 85A) to the actuated position (FIG. 85B) when the firing assembly 5030 moves between an unfired position and a partially fired position during part of the firing stroke. In various embodiments, the actuator 5010 can include a release stop, such as detent tabs 5022, for example. The progression of the firing element relative to the actuator 5010 can be paused by the detent tabs 5022. In other words, the detent tabs 5022 can temporarily halt the progression of the firing assembly 5030 relative to the actuator 5010. For example, while the actuator 5010 moves from the pre-actuated position toward the actuated position, the detent tabs 5022 can engage the sled 5034 and/or the firing assembly 5030 to hold the firing assembly 5030 relative to the actuator 5010, such that the actuator 5010 moves therewith. For example, referring primarily to FIGS. 86 and 87, the bottom side 5016 of the actuator 5010 can include a detent tab 5022, and the sled 5034 can include a recess or groove 5040. In various embodiments, the groove 5040 can receive the tab 5022 when the sled 5034 is positioned in the proximal portion 5004 of the second jaw 5002. For example, the groove 5040 can be aligned with the tab 5022 when the firing assembly 5030 moves from an unfired position to a fired position, and thus, when the actuator is pushed from a pre-actuated position (FIG. 85A) to an actuated position (FIG. 85B). In various embodiments, at least one tab 5022 can be positioned on either side of the slot 5012 (FIGS. 85A-85C) in the actuator 5010, and each tab 5022 can engage the sled 5034.

[0384] Referring primarily to FIG. 85A, the sled 5034 can engage the detent tabs 5022 as the firing assembly 5030 and sled 5034 translate along the slot 5056 (FIG. 84) during the firing stroke. For example, the detent tabs 5022 can engage the sled 5034 at or near the beginning of the firing stroke. In certain embodiments, the detent tabs 5022 can be near the proximal end of the actuator 5010, and the sled 4034 can engage the detent tabs 5022 upon the initiation of the firing stroke. When the firing bar 5032 is moved distally and

the detent tabs 5022 are engaged with the recesses 5040 in the sled 5034 (FIGS. 86 and 87), the actuator 5010 can be driven and/or shifted distally. In certain embodiments, referring primarily to FIG. 85B, the actuator 5010 can move distally until it reaches a hard stop 5060 defined in the cartridge body 5050, for example. The hard stop 5060 can be at the distal portion 5006 of the second jaw 5002, and can prevent further distal movement of the actuator 5010, for example. In various embodiments, the actuator 5010 can abut the hard stop 5060 before the firing assembly 5030 ejects the fasteners from the fastener cavities 5054 of the cartridge body 5050 (FIG. 84). In some embodiments, the actuator 5010 can abut the hard stop 5060 as the firing assembly 5030 ejects at least one fastener from a fastener cavity 5054 and/or after the firing assembly 5030 has ejected at least one fastener from a fastener cavity 5054.

**[0385]** Referring primarily to FIG. 85D, when the actuator 5010 is pushed distally by the sled 5034 and/or the firing assembly 5030, the actuator 5010 can cut or otherwise overcome the distal connector 5080b to release the tissue thickness compensator 5058 from the cartridge body 5050 at the distal portion 5006 of the second jaw 5002. In certain embodiments, the actuator 5010 can include a notch 5024 for receiving and holding the distal connector 5080b. The notch 5024 can hold the distal connector 5080b as the actuator 5010 shifts distally toward the hard stop 5060. Further, the actuator 5010 can include a cutting edge 5020, for example, along the notch 5024. In certain embodiments, when the actuator 5010 moves toward the hard stop 5060, the distal connector 5080b can be pushed between the hard stop 5060 and the cutting edge 5020 of the actuator 5010. In various embodiments, the cutting edge 5020 can cut the distal connector 5080b when the cutting edge 5020 is pushed into and/or toward the hard stop 5060. In such embodiments, the distal connector 5080b can be cut by the cutting edge 5020 of the actuator 5010 at or near the beginning of the firing stroke and before the fasteners are fired from the fastener cavities 5054 (FIG. 84). In some embodiments, the cutting edge 5020 can cut the distal connector 5080b as the firing assembly 5030 ejects at least one fastener from a fastener cavity 5054 and/or after the firing assembly 5030 has ejected at least one fastener from a fastener cavity 5054. In various embodiments, the actuator 5010 can overcome the distal connector 5080b without cutting it. For example, the actuator 5010 can dislodge or stretch

the distal connector 5080b out of position such that the distal connector 5080b no longer holds the tissue thickness compensator 5058 relative to the cartridge body 5050.

[0386] In various embodiments, the proximal connector 5080a can be cut by a proximal cutting edge on the actuator 5010. Similarly, additional connectors along the length of the cartridge body 5050 can be cut or otherwise overcome by the actuator 5010 at or near the beginning of the firing stroke. Additionally or alternatively, the cutting edge 5036 of the firing assembly 5030 can cut or otherwise overcome the proximal connector 5080a and/or additional connectors. For example, the cutting edge 5036 of the firing assembly 5030 can cut the proximal connector 5080a and the cutting edge 5020 of the actuator 5010 can cut the distal connector 5080b before the fasteners are ejected from the fastener cavities 5054 of the cartridge body 5050 (FIG. 84).

[0387] Referring primarily to FIG. 87, the sled 5034 and/or the firing assembly 5030 can be configured to overcome the detent tabs 5022 of the actuator 5010. When the sled 5034 and/or the firing assembly 5030 overcome the detent tabs 5022, the firing assembly 5030 and the sled 5034 can move relative to the actuator 5010. For example, the firing assembly 5030 can push the sled 5034 distally to move the actuator 5010 distally until further distal movement of the actuator is prevented by the hard stop 5060 (FIGS. 85A, 85C, and 85D). Referring still to FIG. 87, when the actuator 5010 is blocked from further distal movement, the firing assembly 5030 can push the sled 5034 with sufficient force to deform, deflect, and/or dislodge the detent tabs 5022 from the recesses 5040 in the sled 5034. For example, the tabs 5022 can each comprise a cantilever which can flex downwardly out of engagement with the groove 5040 after a sufficient longitudinal force has been applied to the sled 5034. When the firing assembly 5030 pushes the sled 5034 out of engagement with the detent tabs 5022, the firing assembly 5030 and sled 5034 can move relative to the actuator 5010. In various embodiments, the detent tabs 5022 can be sufficiently rigid to withstand the force of the firing assembly 5030 as the actuator 5010 shifts distally toward the hard stop 5060, and can be sufficiently flexible to deflect when the actuator 5010 reaches the hard stop 5060 without requiring excessive force by a motor and/or operator. In various circumstances, the detent tabs 5022 can be configured to permit the firing bar 5032 to pass through the cartridge body 5050 after the force applied to detent tabs 5022 has exceeded a predetermined force.

[0388] Referring now to FIGS. 29A and 29B, an end effector assembly 5100 can include a first jaw, illustrated elsewhere, and a second jaw 5102. In various embodiments, the second jaw 5102 and/or a fastener cartridge assembly positionable therein can include an actuator 5110. The actuator 5110 can slide or shift relative to a fastener cartridge body, such as the fastener cartridge body 5050 (FIG. 84), for example, of the fastener cartridge assembly. Further, in certain embodiments, the actuator 5110 can include a bottom wall 5116 and sidewalls 5118, which can be positioned at least partially around the cartridge body 5050. The bottom wall 5116 and/or the sidewalls 5118 can extend past or around the fasteners positioned in the fastener cavities 5054 (FIG. 84) when the actuator is held relative to the cartridge body 5050. In various embodiments, the actuator 5110 can include a slot 5112 extending along at least a portion of the bottom wall 5116. Further, the sidewalls 5118 can include lips 5122 and/or lips 5124, which can slidably engage the cartridge body 5050. For example, the lips 5122 can extend around the cartridge body 5050 and into slits in the deck 5052 (FIG. 84) of the cartridge body 5050. Further, the lips 5124 can extend into slits along the side of the cartridge body 5050, for example. In various embodiments, the lips 5122, 5124 can slide within the slits as the actuator 5110 moves relative to the cartridge body 5050. In such embodiments, the lips can constrain and/or define the relative movement between the actuator 5110 and the cartridge body 5050, for example. When the actuator 5110 moves relative to the cartridge body 5050, the actuator 5110 can slide relative to the fasteners positioned in the fastener cavities 5054 of the cartridge body 5050. For example, the actuator 5110 can slide past or around the fasteners in the fastener cavities 5054.

[0389] Referring still to FIGS. 29A and 29B, the actuator 5110 can include a release stop, such as detent 5114, for example, at the proximal portion 5104 of the second jaw 5102, for example. Referring primarily to FIG. 29A, the detent 5114 can include a detent arm 5120 which can operably hold a sled 5134 of the cartridge body 5050 (FIG. 84). For example, the sled 5134 can include a groove 5144 and the detent arm 5120 can engage the groove 5144 to retain the sled 5134 relative to the actuator 5110. In various embodiments, the detent 5114 can have multiple detent arms 5120, which can be retained in grooves 5144 in the sled 5134. The detent arms 5120 can extend from opposite sides of the actuator 5110, for example, and the sled 5134 can be positioned intermediate the



detent arms 5120, for example. In certain embodiments, the firing assembly 5030 can push against the sled 5134 and can shift the actuator 5110 distally while the detent arms 5120 are held in the grooves 5144 of the sled 5134 (FIG. 29A). The detent arms 5120 can be sufficiently rigid to hold the sled 5134 relative to the actuator 5110 as the actuator 5110 is pushed distally by the firing assembly 5030. Thereafter, the actuator 5110 can abut a hard stop, such as hard stop 5060 (FIGS. 84-85B and 85D), for example, which can prevent further distal movement of the actuator 5110.

**[0390]** Referring primarily to FIG. 29B, when the actuator 5010 abuts the hard stop 5060 (FIGS. 84-85B and 85D), the firing assembly 5030 can push the sled 5134 through the detent 5114. In other words, the firing assembly 5030 can force the sled 5134 to overcome the detent arms 5120. In such embodiments, the detent arms 5120 can be sufficiently flexible to flex out of engagement with the grooves 5144 of the sled 5134 and permit passage of the firing assembly 5030 between the detent arms 5120 and along the slot 5112 in the actuator 5110. Similar to the actuator 5010, the actuator 5110 can include an edge that can cut or otherwise overcome a distal connector, similar to distal connector 5080b (FIG. 84 and 85D), for example, when the actuator 5110 is shifted distally by the firing assembly 5030. Thereafter, the firing assembly 5030 and the sled 5134 can translate along the slot 5112, and can eject fasteners from the fastener cavities 5054 in the cartridge body, for example. In various embodiments, the actuator 5110 can overcome the distal connector and/or additional connector(s) before a fastener is fired from the fastener cartridge 5050. In certain embodiments, the actuator 5110 can overcome the distal connector and/or additional connector(s) as at least one fastener is fired from a fastener cavity and/or after at least one fastener has been fired from a fastener cavity.

**[0391]** Referring now to FIGS. 87A and 87B, an end effector assembly 5200 can include a first jaw, illustrated elsewhere, and a second jaw 5202. In various embodiments, the second jaw 5202 and/or a fastener cartridge assembly can include an actuator 5210 that can slide relative to a fastener cartridge body, such as the fastener cartridge body 5050 (FIG. 84), for example. Further, in certain embodiments, the actuator 5210 can include a bottom wall 5216 and sidewalls. The sidewalls can be positioned at least partially around the cartridge body 5050, for example. The actuator 5210 can include a slot 5212 extending along at least a portion of the bottom wall 5216. Further, the actuator 5210 can

be moveably held relative to the cartridge body 5050. When the actuator 5210 moves relative to the cartridge body 5050, the actuator 5210 can move relative to the fasteners positioned in the fastener cavities 5054 of the cartridge body 5050. For example, the actuator 5210 can slide past or around the fasteners positioned in the fastener cavities 5054.

**[0392]** In various embodiments, the firing assembly 5030 can translate along and/or within the slot 5212 during a firing stroke. Similar to the actuators 5010, 5110, the actuator 5210 can include a release stop 5214. In various embodiments, the release stop 5214 can include a frangible portion 5220, which can be a bridge across the slot 5212, for example. Referring primarily to FIG. 87A, the firing assembly 5030 can abut the release stop 5214 to push the actuator 5210 distally. Thereafter, the actuator 5210 can abut a hard stop, such as hard stop 5060 (FIGS. 84-85B and 85D), which can prevent further distal movement of the actuator 5210. Referring primarily to FIG. 87B, upon reaching the hard stop 5060, the firing assembly 5030 can break the frangible portion 5220 of the release stop 5214 to continue moving distally along the slot 5212 during the firing stroke. The frangible portion 5220 can be sufficiently rigid to withstand the force of the firing assembly 5030 as the actuator 5210 shifts distally toward the hard stop 5060 (FIG. 85D), and can be sufficiently frangible to break when the actuator 5210 reaches the hard stop 5060 without requiring excessive force by a motor and/or operator. In various embodiments, the actuator 5210 can overcome the distal connector 5080b and/or additional connector(s) before a fastener is fired from the fastener cartridge 5050. In certain embodiments, the actuator 5210 can overcome the distal connector and/or additional connector(s) as at least one fastener is fired from a fastener cavity and/or after at least one fastener has been fired from a fastener cavity.

**[0393]** Referring now to FIGS. 88 and 89, an end effector assembly 5300 can include a first jaw, illustrated elsewhere, and a second jaw 5302. In various embodiments, the second jaw 5302 can include a cartridge body 5350 and a tissue thickness compensator 5358 releasably secured to the cartridge body 5350. Similar to the second jaw 5002, the second jaw 5302 can include fasteners, such as surgical staples, for example, which can be removably positioned in fastener cavities in the cartridge body 5350. For example, a fastener can be ejectably positioned in each fastener cavity. In certain embodiments, the

cartridge body 5350 can include a slot 5356 (FIG. 88), which can extend from a proximal portion 5304 toward a distal portion 5306 of the second jaw 5302. In various embodiments, the firing assembly 5030 can translate along the slot 5356 of the cartridge body 5350. The firing assembly 5030 can translate within the slot of the fastener cartridge 5350 during a firing stroke, and can eject the fasteners from the fastener cavities during the firing stroke, for example. The firing assembly 5030 can engage a sled 5334 (FIG. 89) in the cartridge body 5350 during the firing stroke, for example, and can push the sled 5334 distally during the firing stroke, for example. Furthermore, during the firing stroke, the firing assembly 5030 and/or an actuator 5310 can release the tissue thickness compensator 5358 from the cartridge body 5350.

[0394] Referring still to FIGS. 88 and 89, the tissue thickness compensator 5358 can include a body 5360, a proximal mount 5362 extending from the body 5360, and a distal mount 5364 extending from the body 5360. Referring primarily to FIG. 89, a pin 5366 can extend through the proximal mount 5362 into an opening 5356a in the cartridge body 5350, such that the pin 5366 releasably holds the tissue thickness compensator 5358 relative to the cartridge body 5350 at the proximal portion 5304 of the second jaw 5302, for example. The pin 5366 can be friction fit and/or snap-fit into the opening 5356a, for example. In certain embodiments, the pin 5366 can be held in the opening 5456a utilizing one or more adhesives, for example. In some embodiments, at least a portion of the cartridge body 5350 and/or pin 5366 can be welded, for example. In various embodiments, the tissue thickness compensator 5358 can include multiple proximal mounts 5362, which can be releasably secured to the cartridge body 5350 on either side or both sides of the slot 5356 (FIG. 88) in the cartridge body 5350. In certain embodiments, the distal mount 5364 can be secured to the cartridge body 5350 at the distal portion 5306 of the second jaw 5302, for example. The distal mount 5364 can be secured to the cartridge body 5350 via at least one adhesive between the distal mount 5364 and the cartridge body 5350, for example. Additionally or alternatively, the distal mount 5364 can be secured to the cartridge body 5350 by at least one pin and/or other fastener, for example.

[0395] Referring primarily to FIG. 89, the actuator 5310 can loop around the distal mount 5364 and can extend to the sled 5334 in the second jaw 5302. In various embodiments, the actuator 5310 can comprise a cable or cord, which can extend through the cartridge

body 5350 and/or through a channel 5346 defined in the second jaw 5302 and/or in the sled 5334, for example. In various embodiments, distal movement of the sled 5334 can pull the actuator 5310 to break through the distal mount 5364 of the tissue thickness compensator 5358. For example, the actuator 5310 can have a first end 5316 secured to the sled 5334, a second end 5318 secured within the cartridge body 5350, and a loop 5320 between the first end 5316 and the second end 5318. The loop 5320 can loop around the distal mount 5364, for example. In various embodiments, the loop 5320 can wrap around the distal mount 5364 between the portion of the distal mount 5364 that is secured to the cartridge body 5350 and the body 5360 of the tissue thickness compensator 5358. In certain embodiments, the second end 5318 can be fixedly secured in the cartridge body 5350, such that when the first end 5316 moves, the loop 5320 tightens around the distal mount 5364. In various embodiments, the second jaw 5302 and/or the cartridge body 5350 can include buttons, pins, and/or castors, such as a first button 5312 and a second button 5314, for example. The actuator 5310 can wrap around the first button 5312 and the second button 5314, for example. The position of the buttons 5312, 5314 and the orientation of the actuator 5310 around the buttons 5312, 5314 can cause the loop 5320 of the actuator 5310 to tighten around the distal mount 5364 when the sled 5334 and the firing assembly 5330 move distally during a firing stroke. Further, as the loop 5320 tightens around the distal mount 5364, the loop 5320 can break through the distal mount 5364 to release the body 5360 of the tissue thickness compensator 5358 from the cartridge body 5350 at the distal portion 5306 of the second jaw 5302. As such, in view of the above, the distal mount 5364 can be disengaged during the beginning of the firing stroke.

**[0396]** In various embodiments, when the distal mount 5364 of the tissue thickness compensator 5358 is released from the cartridge body 5350, the pin 5366 securing the proximal mount 5362 of the tissue thickness compensator 5358 to the cartridge body 5350 can be released from the opening 5356 in the cartridge body 5350. For example, at or near the beginning of a stroke, the pin 5366 can be released from the opening 5356. The pin 5366 can be sheared and/or severed by the cutting edge 5036 of the firing assembly 5030, for example, and/or can be pushed and/or driven out of the opening 5356 by an element of the firing assembly 5030. In such embodiments, the tissue thickness

compensator 5358 can be released from the cartridge body 5350 at or near the beginning of the firing stroke when both the proximal mount 5362 and the distal mount 5364 are released from the cartridge body 5350. In other words, the actuator 5310 can release the tissue thickness compensator 5358 from the cartridge body 5350 prior to the firing assembly 5030 and/or the sled 5334 ejecting the fasteners from the fastener cavities in the cartridge body 5350. In some embodiments, the firing assembly 5030 and/or the sled 5334 can eject at least one fastener from a fastener cavity before and/or while the actuator 5310 releases the tissue thickness compensator 5358 from the cartridge body 5350.

**[0397]** A fastener cartridge assembly can comprise a cartridge body comprising a plurality of fastener cavities and a slot. The fastener cartridge assembly can further comprise a plurality of fasteners, wherein each fastener is removably positioned in a fastener cavity. The fastener cartridge assembly can further comprise a firing element configured to move along the slot, a tissue thickness compensator releasably secured to the cartridge body, and a mount, wherein the mount secures the tissue thickness compensator to the cartridge body, and wherein the mount is positioned distal to a fastener of the plurality of fasteners. The fastener cartridge assembly can further comprise a cable between the firing element and the mount, wherein the cable is configured to break the mount when the firing element moves distally along the slot. The tissue thickness compensator can be released from the cartridge body when the cable breaks the mount. The cable can break the mount prior to the removal of the fasteners from the fastener cavities. The fastener cartridge assembly can further comprise a channel, wherein the cable extends through the channel.

**[0398]** Referring now to FIGS. 93A-93D, an end effector assembly 5600 can include a first jaw, illustrated elsewhere, and a second jaw 5602. In various embodiments, the second jaw 5602 can include a fastener cartridge body 5650 and a tissue thickness compensator 5658 releasably secured to the second jaw 5602 and/or to the fastener cartridge body 5650. In certain embodiments, the fastener cartridge body 5650 and the tissue thickness compensator 5658 releasably secured thereto can comprise a fastener cartridge assembly. Referring primarily to FIG. 93A, the cartridge body 5650 can have a cartridge deck 5652 and fastener cavities 5654 defined in the cartridge deck 5652. Further, the second jaw 5602 can include fasteners, such as surgical staples, for example,

which can be removably positioned in the fastener cavities 5654. For example, a single fastener can be ejectably positioned in each fastener cavity 5654 of the cartridge body 5650. Still referring primarily to FIG. 93A, the cartridge body 5650 can include a ridge 5648 extending from the cartridge deck 5652. The ridge 5648 can extend around at least a portion of a fastener cavity 5654, for example. In various embodiments, when a fastener is positioned in a fastener cavity 5654, the tip of the fastener can protrude from the fastener cavity 5654. In such embodiments, the ridge 5648 positioned at least partially around the fastener cavity 5654 can support and/or guide the tip of the fastener when the fastener is ejected from the fastener cavity 5654. In certain embodiments, referring still to FIG. 93A, the cartridge body 5650 can include a slot 5656, which can extend from a proximal portion 5604 of the second jaw 5602 toward a distal portion 5606 of the second jaw 5602. In various embodiments, a firing assembly 5630 can translate along the slot 5656 of the cartridge body 5650. For example, the firing assembly 5630 can translate along the slot 5656 during a firing stroke, and can eject fasteners from the fastener cavities 5654 during the firing stroke.

[0399] Referring still to FIGS. 93A-93D, the firing assembly 5630 can include a firing bar 5632, a cutting edge 5636, a crossbar 5638, and a foot 5644. The cutting edge 5636 can cut tissue and/or cut the tissue thickness compensator 5658 as the firing assembly 5630 is fired through the second jaw 5602 during a firing stroke. The crossbar 5638 can engage a slot in the anvil of the first jaw to hold the firing assembly 5630 relative to the first jaw, and the foot 5644 can engage a slot in the second jaw 5602, such as the slot 5656 in the cartridge body 5650, for example, to hold the first jaw relative to the cartridge body 5650. In various embodiments, the crossbar 5638 and/or the foot 5644 can hold the cutting edge 5636 of the firing assembly 6530 perpendicular to the deck 5652 of the fastener cartridge 5650, for example. Referring primarily to FIGS. 93A and 93D, the firing assembly 5630 can engage a sled 5634 in the cartridge body 5650 during the firing stroke. The firing assembly 5630 can push the sled 5634 distally during the firing stroke to eject fasteners from the fastener cavities 5654, for example. In various embodiments, the sled 5634 can have a camming surface or ramp 5642, which can engage drivers and/or fasteners in the fastener cavities 5654, for example. When the ramp 5642 engages a driver, the ramp 5642 can push the driver toward the deck 5652 to eject the corresponding fastener from

the fastener cavity 5654. Further, in various embodiments, the firing assembly 5630 can cut the tissue thickness compensator 5658 during the firing stroke.

**[0400]** Referring primarily to FIGS. 93A and 93B, the tissue thickness compensator 5658 can include a cartridge contacting surface 5662 (FIG. 93A) and a tissue contacting surface 5664 (FIG. 93B). The cartridge contacting surface 5662 can be positioned against the cartridge deck 5652 when the tissue thickness compensator 5658 is secured to the cartridge body 5650 (FIG. 93B), for example. Further, the tissue contacting surface 5664 can be positioned against tissue when tissue is clamped between the first jaw and the second jaw 5602, for example. Referring primarily to FIG. 93A, the tissue thickness compensator 5658 can include a mount 5660. In various embodiments, the mount 5660 can be a rectangular or triangular flap, for example, that can extend from the tissue thickness compensator 5658. Further, the mount 5660 can be a cutout portion of the tissue thickness compensator 5658, such that a space 5666 is left in the tissue thickness compensator 5658 that corresponds to the shape of the mount 5660. The mount 5660 can be aligned with the slot 5656 of the cartridge body 5650 when the tissue thickness compensator 5658 is positioned relative to the cartridge body 5650, for example. Further, the mount 5660 can extend into the slot 5656 when the cartridge contacting surface 5662 of the tissue thickness compensator 5658 is positioned adjacent to the deck 5652 of the cartridge body 5650. In various embodiments, the mount 5660 can be friction fit into the slot 5656 when the tissue thickness compensator 5658 is secured to the cartridge body 5650. The mount 5660 can hold at least a portion of the tissue thickness compensator 5658 relative to the cartridge body 5650. For example, when the mount 5660 is friction fit in the slot 5656, the cartridge contacting surface 5662 can be positioned against the deck 5652 of the cartridge body 5650.

**[0401]** In various embodiments, the tissue thickness compensator 5658 can include a plurality of mounts 5660, which can be aligned with the slot 5656 of the cartridge body 5650. For example, at least one mount 5660 can be positioned in the proximal portion 5604 of the second jaw 5602, and at least one mount 5660 can be positioned in the distal portion 5606 of the second jaw 5602. In various embodiments, the mounts 5660 can be spaced along at least a portion of the length of the tissue thickness compensator 5658. For example, the slot 5656 can be a longitudinal slot that extends from the proximal portion

5604 to the distal portion 5606 of the second jaw 5602. The mounts 5660 can be friction fit into the longitudinal slot 5656, for example, and can secure the tissue thickness compensator 5658 to the cartridge body 5650.

**[0402]** Referring primarily to FIGS. 93A and 93D, the sled 5634 can include a tongue 5640, which can project from the sled 5634 toward the distal portion 5606 of the jaw 5602. When the firing assembly 5630 pushes the sled 5634 during the firing stroke, the tongue 5640 can move along the slot 5656 in the cartridge body 5650. Referring primarily to FIG. 93D, the tongue 5640 can move along the slot 5656 adjacent to the cartridge contacting surface 5664 of the tissue thickness compensator 5658. Further, the tongue 5640 can move against the mounts 5660 that are positioned in the slot 5656. In various embodiments, the mounts 5660 can be deflectable. When the tongue 5640 pushes against the mounts 5660, the tongue 5640 can deflect the mounts 5660 into alignment, or at least substantial alignment, with the body of the tissue thickness compensator 5658. For example, when the tongue 5640 moves in the cartridge body 5650, the mounts 5660 can be sequentially deflected into the corresponding spaces 5666 defined in the tissue thickness compensator 5658. When the mounts 5660 are deflected out of the slot 5656, the tissue thickness compensator 5658 can be unsecured to and/or released from the cartridge body 5650. In various embodiments, another element of the sled 5634 and/or the firing assembly 5630 can deflect the mounts 5660 out of the slot 5656 to unsecure and/or release the tissue thickness compensator 5658 from the cartridge body 5650.

**[0403]** Referring now to FIG. 94, an end effector assembly 5700, similar to the end effector assembly 5600, can include a first jaw, illustrated elsewhere, and a second jaw 5702. In various embodiments, the second jaw 5702 can include a fastener cartridge body 5750 and a tissue thickness compensator 5758 releasably secured to the cartridge body 5750 and/or to the second jaw 5702. In certain embodiments, the fastener cartridge body 5750 and the tissue thickness compensator 5758 releasably secured thereto can comprise a fastener cartridge assembly, for example. Similar to the cartridge body 5650, the cartridge body 5750 can have a cartridge deck 5752, fastener cavities 5754 defined in the cartridge deck 5752 and for holding fasteners, ridges 5748 at least partially around the fastener cavities 5754, and/or a slot 5756 extending from a proximal portion 5704 of the second jaw 5702 toward a distal portion 5706 of the second jaw 5702. In various



embodiments, the cartridge body 5750 can include a bridge 5780 traversing or extending across the slot 5756. The bridge 5780 can be a frangible and/or splittable bridge, for example. In certain embodiments, the bridge 5780 can be a thin, breakable portion, and can be a solid form absorbable material, such as PGA, PCL, PGA/PCL, PLA/PCL, and/or TMC, for example. The bridge 5780 can have an aperture 5782, which can extend at least partially through the bridge 5780.

**[0404]** Referring still to FIG. 94, in various embodiments, the firing assembly 5630 can translate along the slot 5756 of the cartridge body 5750. For example, the firing assembly 5630 can translate along the slot 5756 during a firing stroke, and can eject the fasteners from the fastener cavities 5754 during the firing stroke. The firing assembly 5630 can include the firing bar 5632, the cutting edge 5636, the crossbar 5638, and the foot 5644. The cutting edge 5636 can cut tissue and/or cut the tissue thickness compensator 5758 as the firing assembly 5630 is fired through the second jaw 5702 during a firing stroke. The crossbar 5638 can engage a slot in the anvil of the first jaw to hold the first jaw relative to the cartridge body 5750, and the foot 5644 can engage a slot in the second jaw 5702, such as the slot 5756 in the cartridge body 5750, for example, to hold the firing assembly 5630 relative to the second jaw 5702. In various embodiments, the crossbar 5638 and/or the foot 5644 can hold the cutting edge 5636 perpendicular to the deck 5752 of the fastener cartridge 5750, for example.

**[0405]** Referring still to FIG. 94, the tissue thickness compensator 5758 can include a cartridge contacting surface 5762 and a tissue contacting surface. The cartridge contacting surface 5762 can be positioned against the cartridge deck 5752 when the tissue thickness compensator 5758 is secured to the cartridge body 5750 and/or to the second jaw 5702, for example. Further, the tissue contacting surface can be positioned against tissue when tissue is clamped between the first jaw and the second jaw 5702, for example. In various embodiments, the tissue thickness compensator 5758 can include a mount 5760. The mount 5760 can be a protrusion, pin, tab, and/or post, for example, which can extend from cartridge contacting surface 5762 of the tissue thickness compensator 5758. The mount 5760 can be aligned, or at least substantially aligned, with the aperture 5782 of the bridge 5780 when the tissue thickness compensator 5758 is positioned relative to the cartridge body 5750, for example. Further, the mount 5760 can extend at least partially

into the aperture 5782 when the cartridge contacting surface 5762 of the tissue thickness compensator 5758 is positioned adjacent to the deck 5752 of the cartridge body 5750. In various embodiments, the mount 5760 can be friction fit into the aperture 5782 when the tissue thickness compensator 5758 is secured to the cartridge body 5750. The mount 5760 can hold and/or secure the tissue thickness compensator 5758 relative to the cartridge body 5750 and/or to the second jaw 5702. For example, when the mount 5760 is friction fit in the aperture 5782 of the bridge 5780, the cartridge contacting surface 5762 can be positioned against the deck 5752 of the cartridge body 5750.

**[0406]** In various embodiments, the fastener cartridge 5750 can include a plurality of bridges 5780 extending across the slot 5756 of the cartridge body 5750. The bridges 5780 can be spaced along at least a portion of the length of the slot 5756, for example. For example, the slot 5756 can be a longitudinal slot that extends from the proximal portion 5704 to the distal portion 5706 of the second jaw 5702. Further, in various embodiments, the tissue thickness compensator 5758 can include a plurality of mounts 5760, which can be aligned with the bridges 5780 of the cartridge body 5750. For example, at least one mount 5760 can be positioned in the proximal portion 5704 of the second jaw 5702, and at least one mount 5760 can be positioned in the distal portion 5706 of the second jaw 5702 when the tissue thickness compensator 5758 is positioned relative to the cartridge body 5750. In various embodiments, the mounts 5760 can be spaced along at least a portion of the length of the tissue thickness compensator 5758. The mounts 5760 can be friction fit into the slot 5756, for example, and can secure the tissue thickness compensator 5758 to the cartridge body 5750 and/or to the second jaw 5702.

**[0407]** Referring still to FIG. 94, the cutting edge 5636 of the firing assembly 5630 can cut the tissue thickness compensator 5758 and/or tissue clamped between the first jaw and the second jaw 5702 of the end effector assembly 5700 when the firing assembly 5630 moves along the slot 5756 during a firing stroke. Further, the firing assembly 5630 can split the bridge 5780 when the firing assembly 5630 moves through the slot 5756. For example, the cutting edge 5636 of the firing assembly 5630 can break or cut the bridge 5780 when the firing assembly moves through the slot 5756. In various embodiments, the cutting edge 5636 can successively cut each bridge 5780 as the firing assembly 5630 moves in the slot 5756 during the firing stroke. When the bridges 5780 are cut or broken

by the cutting edge 5636 the tissue thickness compensator 5758 can be unsecured to and/or released from the cartridge body 5750. In certain embodiments, the cutting edge 5636 can break or cut the mounts 5760 aligned therewith during a firing stroke. In various embodiments, another element of the sled and/or the firing assembly 5630 can break or cut the bridges 5780 to release the tissue thickness compensator 5758 from the cartridge body 5750.

[0408] Referring now to FIGS. 95 and 96, an end effector assembly 5800, similar to the end effector assembly 5600, can include a first jaw, illustrated elsewhere, and a second jaw 5802. In various embodiments, the second jaw 5802 can include a fastener cartridge body 5850 and a tissue thickness compensator 5858 releasably secured to the cartridge body 5850 and/or to the second jaw 5802. In certain embodiments, the fastener cartridge body 5850 and the tissue thickness compensator 5858 releasably secured thereto can comprise a fastener cartridge assembly. Similar to the cartridge body 5650, the cartridge body 5850 can have a cartridge deck 5852, fastener cavities 5854 defined in the cartridge deck 5852 configured to receive fasteners, a ridge 5848 positioned around at least a portion of a fastener cavity 5854, and a slot 5856, which can extend from a proximal portion 5804 of the second jaw 5802 toward a distal portion 5806 of the second jaw 5802. In various embodiments, the cartridge body 5850 can include a bridge 5880 traversing or extending at least partially across the slot 5856. The bridge 5880 can be a frangible and/or splittable bridge, for example. In certain embodiments, the bridge 5880 can include a first leg 5884 and a second leg 5886. Referring primarily to FIG. 96, the first leg 5884 can extend from a first side of the cartridge body 5850 into the slot 5856, for example, and the second leg 5886 can extend from a second side of the cartridge body 5850 into the slot 5856, for example. The first leg 5884 and the second leg 5886 can be angularly oriented relative to the axis of the slot 5856, and the first leg 5884 can be angularly oriented approximately 90 degrees relative to the second leg 5886, for example. In certain embodiments, the first leg 5884 and/or the second leg 5886 can be deflectable. In various embodiments, the bridge 5880 can include a gap between the first leg 5884 and the second 5886, for example.

[0409] Referring still to FIGS. 95 and 96, in various embodiments, the firing assembly 5630 can translate along the slot 5856 of the cartridge body 5850. For example, the firing

assembly 5630 can translate along the slot 5856 during a firing stroke, and can eject the fasteners from the fastener cavities 5854 during the firing stroke. The firing assembly 5630 can include the firing bar 5632, the cutting edge 5636, the crossbar 5638, and the foot 5644. The cutting edge 5636 can cut tissue and/or cut the tissue thickness compensator 5858 as the firing assembly 5630 is fired through the second jaw 5802 during a firing stroke. The crossbar 5638 can engage a slot in the anvil of the first jaw to hold the first jaw relative to the cartridge body 5850, and the foot 5644 can engage a slot in the second jaw 5802, such as the slot 5856 in the cartridge body 5850, for example, to hold the firing assembly 5630 relative to the second jaw 5802. In various embodiments, the crossbar 5638 and/or the foot 5644 can hold the cutting edge 5636 perpendicular to the deck 5852 of the fastener cartridge 5850, for example.

**[0410]** Referring still to FIGS. 95 and 96, the tissue thickness compensator 5858 can include a cartridge contacting surface 5862 and a tissue contacting surface. The cartridge contacting surface 5862 can be positioned against the cartridge deck 5852 when the tissue thickness compensator 5858 is secured to the cartridge body 5850 and/or to the second jaw 5802, for example. Further, the tissue contacting surface can be positioned against tissue when tissue is clamped between the first jaw and the second jaw 5802, for example. In various embodiments, the tissue thickness compensator 5858 can include a mount 5860. Similar to the mount 5760, the mount 5860 can be a protrusion, pin, tab, and/or post, for example, which can extend from the cartridge contacting surface 5862 of the tissue thickness compensator 5858. The mount 5860 can be aligned with the gap between the legs 5884, 5886 of the bridge 5880 when the tissue thickness compensator 5858 is positioned relative to the cartridge body 5850, for example. Further, the mount 5860 can be held by the legs 5884, 5886 of the bridge 5880 when the cartridge contacting surface 5862 of the tissue thickness compensator 5858 is positioned adjacent to the deck 5852 of the cartridge body 5850. In various embodiments, the mount 5860 can be friction fit into the gap between the legs 5884, 5886 when the tissue thickness compensator 5858 is secured to the cartridge body 5850. The mount-bridge engagement of the second jaw 5802 can hold the tissue thickness compensator 5858 relative to the cartridge body 5850. For example, when the mount 5860 is friction fit between the legs 5884, 5886 of the bridge

5880, the cartridge contacting surface 5862 can be held against the deck 5852 of the cartridge body 5850.

**[0411]** In various embodiments, referring primarily to FIG. 95, the fastener cartridge 5850 can include a plurality of bridges 5880 extending across the slot 5856 of the cartridge body 5850. The bridges 5880 can be spaced along at least a portion of the length of the slot 5856, for example. For example, the slot 5856 can be a longitudinal slot that extends from the proximal portion 5804 to the distal portion 5806 of the second jaw 5802. Further, in various embodiments, the tissue thickness compensator 5858 can include a plurality of mounts 5860, which can be aligned with the bridges 5880 of the cartridge body 5850. For example, at least one mount 5860 can be positioned in the proximal portion 5804 of the second jaw 5802, and at least one mount 5860 can be positioned in the distal portion 5806 of the second jaw 5802 when the tissue thickness compensator 5858 is positioned relative to the cartridge body 5850 and/or the second jaw 5802. In various embodiments, the mounts 5860 can be spaced along at least a portion of the length of the tissue thickness compensator 5858. The mounts 5860 can be friction fit into the bridges 5880, for example, and can secure the tissue thickness compensator 5858 to the cartridge body 5850.

**[0412]** Referring still to FIGS. 95 and 96, the cutting edge 5636 of the firing assembly 5630 can cut the tissue thickness compensator 5858 and/or the tissue clamped between the first jaw and the second jaw 5802 of the end effector assembly 5800 when the firing assembly 5630 moves along the slot 5856 during a firing stroke. Further, the firing assembly 5630 can split the bridge 5880 when the firing assembly 5630 moves through the slot 5856. For example, the cutting edge 5636 of the firing assembly 5630 can deflect and/or split the legs 5884, 5886 of the bridge 5880 when the firing assembly 5630 moves through the slot 5856. In various embodiments, the cutting edge 5636 can successively deflect the legs 5884, 5886 of each bridge 5880 to split each bridge 5880 as the firing assembly 5630 moves in the slot 5856 during the firing stroke. When the legs 5884, 5886 of a bridge 5880 are deflected by the cutting edge 5636, the bridge 5880 can release the corresponding mount 5860 of the tissue thickness compensator 5858. The tissue thickness compensator 5858 can be unsecured to and/or released from the cartridge body 5850 when each mount 5860 is released from each bridge 5880 along the length of the cartridge body 5850. In certain embodiments, the cutting edge 5636 can cut or break the

mounts 5860 aligned therewith during a firing stroke. In various embodiments, another element of the sled and/or the firing assembly 5630 can split the bridges 5880 to release the tissue thickness compensator 5858 from the cartridge body 5850.

**[0413]** Referring now to FIGS. 97-100, an end effector assembly 5900, similar to the end effector assembly 5600, can include a first jaw or anvil 5910 (FIGS. 99 and 100) and a second jaw 5902. In various embodiments, the second jaw 5902 can include a fastener cartridge body 5950 and a tissue thickness compensator 5958 releasably secured to the fastener cartridge body 5950 and/or to the second jaw 5902. In certain embodiments, the fastener cartridge body 5950 and the tissue thickness compensator 5958 releasably secured thereto can comprise a fastener cartridge assembly, for example. Referring primarily to FIG. 98, the fastener cartridge body 5950 can have a cartridge deck 5952 and cavities defined in the cartridge deck 5962. Mount cavities 5948 and/or fastener cavities 5954 can be defined in the cartridge deck 5952, for example. In various embodiments, the mount cavities 5948 and the fastener cavities 5954 can have the same or similar structure and/or geometry. The second jaw 5902 can include fasteners, such as surgical staples, for example, which can be removably positioned in the fastener cavities 5954. In certain embodiments, the cartridge body 5950 can include a slot 5956, which can extend from a proximal portion 5904 of the second jaw 5902 toward a distal portion 5906 of the second jaw 5902.

**[0414]** Referring still to FIGS. 97-100, in various embodiments, the firing assembly 5630 can translate along the slot 5956 of the cartridge body 5950 during a firing stroke, and can eject the fasteners from the fastener cavities 5954 during the firing stroke. The cutting edge 5636 can cut tissue and/or cut the tissue thickness compensator 5958 as the firing assembly 5630 is fired through the end effector assembly 5900 during the firing stroke. The crossbar 5638 can engage a slot 5912 in the anvil 5910 (FIGS. 99 and 100) to hold the first jaw relative to the cartridge body 5950, and the foot 5644 can engage a slot in the second jaw 5902, such as the slot 5956 in the cartridge body 5950, for example, to hold the firing assembly 5630 relative to the second jaw 5902. In various embodiments, the crossbar 5638 and/or the foot 5644 can hold the cutting edge 5636 perpendicular to the deck 5952 of the fastener cartridge 5950, for example.

[0415] Referring still to FIGS. 97-100, the tissue thickness compensator 5958 can include a cartridge contacting surface 5962 (FIG. 97) and a tissue contacting surface 5964 (FIGS. 98 and 99). The cartridge contacting surface 5962 can be positioned against the cartridge deck 5952 when the tissue thickness compensator 5958 is secured to the cartridge body 5950 and/or to the second jaw 5902, for example. Further, the tissue contacting surface 5964 can be positioned against tissue when tissue is clamped between the anvil 5910 and the second jaw 5902, for example. In various embodiments, the tissue thickness compensator 5958 can include a mount 5960. Similar to the mount 5760 and/or the mount 5860, for example, the mount 5960 can be a protrusion, pin, tab, and/or post, for example, which can extend from the cartridge contacting surface 5962 of the tissue thickness compensator 5958. In certain embodiments, the tissue thickness compensator 5958 can include a recess 5970, which can be adjacent to the mount 5960, for example. The recess 5970 can be vertically aligned with the mount 5960, for example. Referring primarily to FIG. 99, the recess 5970 can be defined in the tissue contacting surface 5964 of the tissue thickness compensator 5958, and can extend toward the mount 5960. In various embodiments, a thin piece of the tissue thickness compensator 5958 can be positioned between the recess 5970 and the mount 5960, for example.

[0416] The mount 5960 can be aligned with a mount cavity 5948 in the cartridge deck 5952 when the tissue thickness compensator 5958 is positioned relative to the cartridge body 5950, for example. Further, the mount 5960 can be positioned in the mount cavity 5948 when the cartridge contacting surface 5962 of the tissue thickness compensator 5958 is positioned adjacent to the deck 5952 of the cartridge body 5950. In various embodiments, the mount 5960 can be friction fit into the mount cavity 5948 when the tissue thickness compensator 5958 is secured to the cartridge body 5950. The friction fit engagement between the mount 5960 and the mount cavity 5948 can hold at least a portion of the tissue thickness compensator 5958 relative to the cartridge body 5950. For example, when the mount 5960 is friction fit in the mount cavity 5948, the cartridge contacting surface 5962 can be held against the deck 5952 of the cartridge body 5950.

[0417] Referring primarily to FIGS. 97 and 98, the fastener cartridge 5950 can include a plurality of mount cavities 5948 defined in the cartridge deck 5952. In certain embodiments, corresponding mount cavities 5948 can be defined in the cartridge deck

5952 on either side of the slot 5956. A first mount cavity 5948 can be defined on a first longitudinal side of the cartridge body 5950, for example, and a corresponding second mount cavity 5948 can be defined on a second longitudinal side of the cartridge body 5950, for example. A first pair of corresponding mount cavities 5948 can be positioned in the proximal portion 5904 of the second jaw 5902 and/or a second pair of corresponding mount cavities 5948 can be positioned in the distal portion 5906 of the second jaw 5902, for example. In various embodiments, fastener cavities 5954 can be positioned between the corresponding pairs of mount cavities 5948, *i.e.*, closer to the slot 5956, and between the pair of mount cavities 5948 at the proximal portion 5904 of the second jaw 5902 and the pair of mount cavities 5948 at the distal portion 5906 of the second jaw 5902, *i.e.*, in an intermediate portion of the cartridge body 5950. Further, in various embodiments, the tissue thickness compensator 5958 can include a plurality of mounts 5960, which can be aligned with the mount cavities 5948 of the cartridge body 5950. For example, at least one mount 5960 can be positioned in the proximal portion 5904 of the second jaw 5902, and at least one mount 5960 can be positioned in the distal portion 5906 of the second jaw 5902. In various embodiments, a pair of mounts 5960 can be positioned in the proximal portion 5904 of the second jaw 5902, and a pair of mounts 5960 can be positioned in the distal portion 5906 of the second jaw 5902. The mounts 5960 can be friction fit into mount cavities 5948, for example, and can secure at least a portion of the tissue thickness compensator 5958 to the cartridge body 5950.

**[0418]** Referring primarily to FIGS. 99 and 100, the mounts 5960 can be removed from the mount cavities 5948 during a firing stroke. In various embodiments, drivers 5920 movably positioned in the mount cavities 5948 can eject the mounts 5960 from the mount cavities 5948 during the firing stroke. For example, a driver 5920 can be positioned in each mount cavity 5948. During a firing stroke, an element of the firing assembly 5630 and/or a sled in the second jaw 5902 can engage the driver 5920 to move the driver 5920 toward the cartridge deck 5952 and/or toward the tissue thickness compensator 5958, for example. As the driver 5920 moves, the driver 5920 can push the mount 5960 positioned in the mount cavity 5948 toward the deck 5952 and/or toward the tissue thickness compensator 5958, for example. In various embodiments, the recess 5970 defined in the tissue thickness compensator 5958 that corresponds to the pushed mount 5960 can



receive the pushed mount 5960. For example, the driver 5920 can push the mount 5960 into the recess 5970. The mount 5960 can be crushed, deformed and/or compressed into the recess 5970, for example. When the mounts 5960 are removed from the mount cavities 5960 during the firing stroke and pushed into the corresponding recesses 5970, the tissue thickness compensator 5958 can be unsecured and/or released from the cartridge body 5950.

**[0419]** In various embodiments, referring now to FIGS. 62-66, a staple cartridge 13000 can comprise a cartridge body 13010, a tissue thickness compensator 13020, and a plurality of firable connectors configured to releasably hold the tissue thickness compensator 13020 to the cartridge body 13010, as described in greater detail further below. The cartridge body 13010 can comprise a proximal end 13011, a distal end 13012, and a deck 13015 configured to support the tissue thickness compensator 13020 thereon. The cartridge body 13010 can include one or more proximal stops 13013 extending therefrom which can be configured to block or resist the proximal movement of the tissue thickness compensator 13020. Similarly, the cartridge body 13010 can include one or more distal stops 13014 which can be configured to block or resist the distal movement of the tissue thickness compensator 13020. Referring primarily to FIG. 63, the cartridge body 13010 can further comprise a plurality of staple cavities 13016 defined therein. In various embodiments, the staple cartridge 13000 can comprise a plurality of connectors 13030 and 13040 configured to releasably hold the tissue thickness compensator 13020 to the cartridge body 13010. Each connector 13030, for example, can comprise a plurality of cavity plugs 13031, which are positionable in the staple cavities 13016, and a connecting bar 13032 extending between the cavity plugs 13031 and over the tissue thickness compensator 13020. The cavity plugs 13031, in at least one embodiment, can fit snugly within the staple cavities 13016. In certain embodiments, the cavity plugs 13031 can be press-fit and/or snap-fit into the staple cavities 13016. Each connector 13040, for example, can comprise a cavity plug 13031 and a head 13042 extending therefrom, wherein the head 13042 can at least partially extend over the tissue thickness compensator 13020. Referring again to FIG. 63, the tissue thickness compensator 13020 can comprise a set of proximal notches 13023 defined in the proximal end 13021 of the tissue thickness compensator 13020 configured to receive the cavity plugs 13031

extending from a proximal connector 13030, intermediate notches 13024 each configured to receive a cavity plug 13031 extending from intermediate connectors 13040, and a set of distal notches 13025 defined in the distal end 13022 of the tissue thickness compensator 13020 configured to receive the cavity plugs 13031 extending from a distal connector 13030, for example.

[0420] In use, a sled, or firing member, can be advanced distally through the staple cartridge 13000 to eject staples positioned within the staple cavities 13016. In various embodiments, the staple cavities 13016 comprising a staple positioned therein may not be plugged by a cavity plug 13031. In certain embodiments, the staple cavities having a cavity plug 13031 positioned therein may not have a staple positioned therein. In some embodiments, although not illustrated, a staple cavity may include a fastener and a cavity plug 13031 positioned therein. Referring again to FIGS. 65 and 66, the staple cartridge 13000 may further comprise a plurality of staple drivers 13050, for example, which support the staples in their unfired position. As the firing member, for example, is advanced distally through the staple cartridge, the firing member can lift the staple drivers 13050 and the staples upwardly, i.e., toward the deck 13015 of the cartridge body 13010 and toward an anvil positioned opposite the tissue thickness compensator 13020. Similarly, at least some of the staple drivers 13050 can contact and lift the cavity plugs 13031 positioned in some of the staple cavities 13016 upwardly toward the anvil. When the staples are lifted upwardly by the staple drivers 13050, the legs of the staples can pass through the tissue thickness compensator 13020, through tissue positioned between the tissue thickness compensator 13020 and the anvil, and contact the anvil positioned on the opposite side of the tissue. The staple drivers 13050 can then drive the staples against the anvil such that the staples are deformed to capture the tissue thickness compensator 13020 and the tissue therein. When the cavity plugs 13031 are lifted upwardly by the staple drivers 13050, the anvil may resist the upward movement of the cavity plugs 13031. In such circumstances, referring primarily to FIG. 63, the cavity plugs 13031 may deform, deflect, and/or break. In certain embodiments, the cavity plugs 13031 can include one or more notches, for example, which can induce the deformation, deflection, and/or breakage of the cavity plugs 13031 at a specific location therein. In various circumstances, the entirety, or at least substantial entirety, of the cavity plugs 13031 may be ejected from the staple

cavities 13016 by the staple drivers 13050. At such point, the connectors 13030 and/or 13040 may no longer connect the tissue thickness compensator 13020 to the cartridge body 13010 and, as such, the cartridge body 13010 can be moved away the tissue thickness compensator 13020 that has been implanted against the tissue.

**[0421]** In use, further to the above, the firing member can be advanced from the proximal end 13011 toward the distal end 13012 of the staple cartridge 13000. The cartridge body 13010 can include a longitudinal slot 13019 configured to slidably receive at least a portion of the firing member therein. As the firing member is advanced distally, the firing member can eject the staples positioned in the proximal-most staples 13016 and, then, fire the proximal-most connector 13030. The firing of the proximal-most connector 13030 can release the proximal end 13021 of the tissue thickness compensator 13020 from the cartridge body 13010. In other embodiments, the firing member can fire the proximal-most connector prior to firing any staples. In any event, the firing member can be further advanced distally to eject staples from the staple cavities 13016 and then fire the intermediate connectors 13040. At such point, only the distal-most connector 13030 may remain which holds the tissue thickness compensator 13020 to the cartridge body 13010. Once the firing member has fired the distal-most connector 13030, the tissue thickness compensator 13020 may no longer be attached to the cartridge body 13010. The above-described sequence describes a staple cartridge which is fully or completely fired. Other circumstances can arise in which less than the entirety of the staples contained in the staple cartridge are fired. In such circumstances, some of the connectors holding the tissue thickness compensator 13020 to the cartridge body 13010 may not be fired. When the partial use of the staple cartridge 13000 is complete, the anvil may be opened and the cartridge body 13010 may be pulled away from the partially implanted tissue thickness compensator 13020. In such circumstances, the unfired connectors may be configured to slide out of the staple cavities 13016 even though they have not been fired. In any event, the connectors 13030 and 13040, for example, may be comprised of any suitable biocompatible and/or bioabsorbable material.

**[0422]** Further to the above, the firing member may include a cutting portion, such as a knife, for example, which can be configured to transect the tissue thickness compensator 13020 and the tissue as the firing member is advanced distally through the staple cartridge

13000. In such circumstances, the cutting portion can also be configured to transect the connecting bars 13032 of the connectors 13030.

**[0423]** In various embodiments, referring now to FIGS. 101 and 102, a staple cartridge 10800 comprising a support portion 10810 and a tissue thickness compensator 10820 can be loaded into a staple cartridge channel with a staple cartridge applicator 10880, for example. Similar to the above, the staple cartridge applicator 10880 can also be configured to position an upper tissue thickness compensator 10890, for example, relative to an anvil, such as anvil 10060, for example, such that, when the anvil 10060 is closed, the anvil 10060 can contact and engage the tissue thickness compensator 10890. In at least one embodiment, the tissue thickness compensator 10890 can comprise a plurality of retention legs 10895 extending from the top surface 10891 of the tissue thickness compensator 10890 which can be configured to be engage the anvil 10060 and releasably retain the tissue thickness compensator 10890 to the anvil 10060. In at least one such embodiment, the legs 10895 can be arranged in a longitudinal row wherein each leg 10895 can comprise at least one foot configured to enter into and engage the knife slot 10065 defined in the anvil 10060. In certain embodiments, some of the feet of legs 10895 can extend in one direction while other feet can extend in another direction. In at least one embodiment, some of the feet can extend in opposite directions.

**[0424]** In any event, once the anvil 10060 has been engaged with the tissue thickness compensator 10890, referring now to FIGS. 102 and 103, the anvil 10060 can be reopened and the clinician can move the staple cartridge applicator 10880 away from the tissue thickness compensators 10820 and 10890. Thereafter, referring to FIG. 104, the upper tissue thickness compensator 10890 can be positioned on a first side of the targeted tissue and the tissue thickness compensator 10820, which can comprise a lower tissue thickness compensator, can be positioned on a second side of the tissue. After the tissue thickness compensators 10820 and 10890 have been suitably positioned, referring now to FIG. 105, a knife edge of a firing member, such as knife edge 10053, for example, can be advanced through the tissue and the tissue thickness compensators.

**[0425]** In various embodiments, referring now to FIG. 106, a staple cartridge applicator, such as applicator 12280, for example, can comprise a tissue thickness compensator 12290 detachably mounted thereto which can be, similar to the above, inserted into a

staple cartridge channel, as illustrated in FIG. 106A, and engaged by the anvil 10060 when the anvil 10060 is moved into a closed position. The applicator 12280 may include a handle 10084 for positioning the compensator 12290 relative to a staple cartridge. In addition, the applicator 10084 may comprise a plurality of legs 10081 that may secure the compensator 12290 to the staple cartridge. In at least one such embodiment, the tissue thickness compensator 12290 can comprise a plurality of retention members 12295 extending upwardly from the top surface 12291 of the tissue thickness compensator 12290 wherein each retention member 12295 can comprise a plurality of flexible legs 12296 which can be configured to be inserted into the knife slot 10065 in the anvil 10060.

Referring primarily to FIGS. 107 and 108, the flexible legs 12296 of each retention member 12295 can be separated by a gap 12298 such that, as the legs 12296 are inserted into the knife slot 10065, the legs 12296 can flex inwardly and then resiliently return outwardly once the enlarged feet of the flexible legs 12296 have passed through the knife slot 10065. In various embodiments, the enlarged feet of the flexible legs 12296 can flex behind opposing retention lips 12297 defined in the anvil 10060 and, as a result of the interaction of the legs 12296 and the lips 12297, the tissue thickness compensator 12290 can be retained to the anvil 10060. Thereafter, the staple cartridge applicator 12280 can be moved away from the tissue thickness compensator 12290, as illustrated in FIG. 106B. In use, once the tissue thickness compensator 12290 has been implanted against the tissue by staples deployed from staple cartridge 10000, for example, the anvil 10060 can be re-opened and, as the anvil 10060 is moved away from the implanted tissue thickness compensator 12290, the legs 12296 of the retention members 12995 can flex inwardly such that they can be pulled out of the knife slot 10065.

**[0426]** As outlined above, an end-effector assembly can include a staple cartridge, an anvil, and at least one piece of buttress material positioned intermediate the staple cartridge and the anvil. In at least one embodiment, referring now to FIGS. 109-111, a piece of buttress material, such as buttress material 336, can be configured to be snap-fit to at least one of staple cartridge 322 and/or an anvil (not illustrated) to releasably retain the piece of buttress material within the end effector. Referring to FIGS. 110 and 111, staple cartridge 322 can include first side wall 302 and second side wall 304, wherein at least one of the first and second side walls can include a lip 306 extending outwardly

therefrom. In various embodiments, buttress material 336 can include first edge, or side, 308, second edge, or side, 310, and at least one lip 312 extending at least partially along the length of edges 308 and 310. In at least one embodiment, referring to FIG. 111, lips 312 can be configured to engage lips 306 in a snap-fit fashion in order to releasably retain buttress material 336 to staple cartridge 322.

[0427] Further to the above, referring to FIG. 111, buttress material 336 can include surface 316 which can be configured to be positioned adjacent to or against deck 328 of staple cartridge 322. In at least one embodiment, side edges 308 and 310 can comprise sidewalls which can extend in a perpendicular or transverse direction relative to surface 316. In such embodiments, lips 312 can extend from these sidewalls such that lips 312 can be interlocked behind lips 306 of staple cartridge 322. In various embodiments, lips 312 of buttress material 336 can be disengaged from lips 306 of staple cartridge 322 when the staples are deployed from staple cartridge 322. More particularly, when the staples are deployed, the staples can contact buttress material 336, apply an upward force to buttress material 336, and dislodge buttress material 336 from staple cartridge 322. Advantageously, as a result, buttress material 336 may be automatically disengaged from staple cartridge 322 when the staples are deployed therefrom and/or when the end-effector is opened as described above.

[0428] In various embodiments, referring to FIGS. 110 and 111, a piece of buttress material can include at least one member extending therefrom which can be configured to releasably retain the buttress material to one of a staple cartridge and/or an anvil. In at least one embodiment, member 318 can extend from buttress material 336 in a direction which is perpendicular or transverse to surface 316. In various embodiments, member 318 can be engaged with one of staple cavity 320, and/or an anvil pocket, in a friction-fit or press-fit manner to releasably retain the piece of buttress material to one of the staple cartridge and the anvil. Similar to the above, in various embodiments, staples deployed from staple cavities 320 can apply an upward force to buttress material 336 and disengage members 318 from staple cavities 320. In various embodiments, the staples can pierce members 318 and/or buttress material 336 to secure the buttress material to the tissue as outlined above.

[0429] As illustrated in FIG. 110, a piece of buttress material can include more than one member, or projection, extending therefrom to retain a piece of buttress material to one of a staple cartridge and an anvil. In various embodiments, referring now to FIGS. 112 and 113, more than one member 318' can extend from piece of buttress material 336', for example. In at least one embodiment, members 318' can be can press-fit into staple cavities 320' of staple cartridge 322', and/or into anvil pockets of an anvil (not illustrated), such that the members can frictionally retain the piece of buttress material to the staple cartridge and/or the anvil as outlined above. As described in greater detail herein, a staple cartridge and/or anvil can include slots or apertures therein in addition to the staple cavities of the staple cartridge and the anvil pockets of the anvil for receiving projections, or retaining members, extending from a piece of buttress material.

[0430] In certain embodiments, as described in greater detail below, a support portion can comprise retention features, which can be configured to progressively release a tissue thickness compensator from the support portion as the staples are progressively fired from the staple cartridge. Referring now to FIG. 114, a staple cartridge, such as staple cartridge 11200, for example, can comprise a support portion 11210 including retention features 11213 which can be configured to releasably hold a tissue thickness compensator 11220 (FIG. 115) to the support portion 11210. In various embodiments, the retention features 11213 can be positioned at the ends of each staple cavity 11212, for example, wherein each retention feature 11213 can comprise a guide groove 11216 defined therein which is configured to slidably receive a staple leg 10032 of a staple 10030. In such embodiments, both the staple legs 10032 and the retention features 11213 can be configured to releasably retain the tissue thickness compensator 11220 to the support portion 11210.

[0431] In use, referring now to FIG. 115, staple drivers 10040 contained within the support portion 11210 can be driven upwardly by a sled 10050, as described above, wherein the staple drivers 10040 can be configured to contact the retention features 11213, at least partially detach the retention features 11213 from the support portion 11210, and displace the retention features 11213 outwardly and away from the staples 10030 and the staple cavities 11212. When the retention features 11213 are detached from the support portion 11210 and/or displaced outwardly, the retention features 11213 may no longer be able to retain the tissue thickness compensator 11220 to the support

portion 11210 and, as a result, the tissue thickness compensator 11220 can be released from the support portion 11210. Similar to the above, the tissue thickness compensator 11220 can be progressively released from the support portion 11210 as the staples 10030 are progressively ejected from the staple cartridge toward an anvil, such as anvil 11260, for example. In various embodiments, the staple drivers 10040 may contact the retention features 11213 when the top surfaces of the staple drivers 10040 become co-planar, or at least substantially co-planar, with the deck surface 11211 of the support portion 11210, for example. In such embodiments, the tissue thickness compensator 11220 may be released from the support portion 11210 at the same time as and/or just before the staples 10030 are formed to their fully-formed, or fully-fired, configuration.

**[0432]** In at least one such embodiment, referring primarily to FIG. 116, the drivers 10040 can be overdriven such that they are pushed above the deck surface 11211 to fully form the staples 10030 and, during the process of being overdriven, break the retention features 11213 away from the support portion 11210. In various embodiments, referring again to FIG. 115, the retention features 11213 may extend over, or overhang, into the staple cavities 11212 prior to being detached or displaced outwardly such that the drivers 10040 can contact the retention features 11213 just as the drivers 10040 reach the deck surface 11211. In any event, once the tissue thickness compensator 11220 has been released from the support portion 11210, referring now to FIG. 116, the support portion 11210 can be moved away from the implanted tissue thickness compensator 11220.

**[0433]** Referring now to FIG. 117, a fastener cartridge assembly 6002 for use with an end effector assembly can include a cartridge body 6050 and a tissue thickness compensator 6058 releasably secured thereto. Similar to the cartridge body 5650, for example, the cartridge body 6050 can include a slot 6056 configured to guide a firing assembly and/or fastener cavities 6054 configured to removably retain fasteners in the cartridge body 6050. In various embodiments, the cartridge body 6050 can include a projection 6048, such as a post, mount, tab, and/or ridge, for example. The projection 6048 can extend from the cartridge deck of the cartridge body 6050 and into the tissue thickness compensator 6058 when the tissue thickness compensator 6058 is positioned relative to the cartridge deck. In various embodiments, the cartridge body 6050 can include a plurality of projections 6048 extending from the cartridge deck. The projections



6048 can be positioned along the length of the cartridge body 6050, for example, and can be positioned between adjacent fastener cavities 6054, for example.

[0434] Referring still the FIG. 117, in various embodiments, the tissue thickness compensator 6058 can be thermoformed around the projections 6048 of the tissue thickness compensator 6058. For example, the tissue thickness compensator 6058 can be positioned relative to the cartridge deck of the cartridge body 6050. Once positioned, the tissue thickness compensator 6058 can be heated to a sufficient temperature such that the tissue thickness compensator 6058 deforms to accommodate the shape of the cartridge deck, including the shape of the projections 6048 extending therefrom. The tissue thickness compensator 6058 can be locally heated, for example, and can reach a temperature near and/or approaching the glass transition temperature of the material comprising the tissue thickness compensator 6058, for example. The tissue thickness compensator can be heated to approximately 90 degrees C to approximately 120 degrees C, for example. In certain embodiments, the tissue thickness compensator can be heated to approximately 75 degrees C to approximately 150 degrees C, for example. Once the tissue thickness compensator 6058 has deformed to fit around the projections 6048, the heat source can be removed or reduced and the tissue thickness compensator 6058 can cool. The tissue thickness compensator 6058 can be subjected to the heightened temperature for approximately 2 seconds to approximately 5 seconds, for example, to attain sufficient deformation around the projections 6048. In other circumstances, the tissue thickness compensator 6058 can be subjected to the heightened temperature for approximately 1 second to approximately 10 seconds, for example, to attain sufficient deformation around the projections 6048. When cooling, the tissue thickness compensator 6058 can shrink closer toward and/or tighter around the projections 6048, for example. In various embodiments, the thermoformed tissue thickness compensator 6058 can prevent and/or limit lateral shifting and/or buckling of the tissue thickness compensator 6058 between fastener cavities 6054 and along the length of the cartridge body 6050.

[0435] Additionally or alternatively, the tissue thickness compensator 6058 can be thermoformed around at least a portion of a fastener removably positioned in a fastener cavity 6054. For example, the tissue thickness compensator 6058 can be thermoformed around the legs of staples extending above the cartridge deck. Referring still to FIG. 117,

in various embodiments, the fastener cartridge assembly 6002 can include a cover or shell 6060 around at least a portion of the cartridge body 6050. The shell 6060 can extend around the bottom, sides, and/or cartridge deck of the cartridge body 6050, for example. The shell 6060 can be secured to the cartridge body 6050 by pins 6062, for example. Further, in various embodiments, the shell 6060 can include a metallic material, such as stainless steel 300 series, stainless steel 400 series, titanium, and/or medical grade aluminum, for example. The metallic shell 6060 can facilitate heat transfer in the cartridge body 6050 and/or the projections 6048 to improve the thermoforming effect, for example.

**[0436]** Referring now to FIG. 118, a fastener cartridge assembly 6102 for use with an end effector assembly can include a cartridge body 6150 and a tissue thickness compensator 6158 releasably secured thereto. Similar to the cartridge body 5650, the cartridge body 6150 can include a slot 6156 configured to guide a firing assembly, for example, and fastener cavities 6154 configured to removably hold fasteners in the cartridge body 6150, for example. The cartridge body 6150 can also include a ridge 6146, similar to the ridge 5648, extending from the cartridge deck 6152. The ridge 6146 can extend around at least a portion of a fastener cavity 6154, for example. In various embodiments, when a fastener is positioned in a fastener cavity 6154, the tip of the fastener can protrude from the fastener cavity 6148. In such embodiments, the ridge 6146 positioned at least partially around the fastener cavity 6154 can support and/or guide the tip of the fastener when the fastener is ejected from the fastener cavity 6154. In various embodiments, the cartridge body 6150 can include a plurality of ridges 6146 at least partially surrounding the fastener cavities 6154. For example, a ridge 6146 can extend around at least the proximal and/or distal ends of each fastener cavity 6154.

**[0437]** Referring still to FIG. 118, in various embodiments, the fastener cartridge assembly 6102 can include a cover or shell 6160, similar to shell 6060, for example, positioned around at least a portion of the cartridge body 6150. The shell 6160 can extend around the bottom and/or sides of the cartridge body 6150, for example, and can be secured to the cartridge body 6150 by pins 6162, for example. In various embodiments, the shell 6160 can include a projection 6148, such as a post, mount, tab, and/or ridge, for example. The projection 6148 can extend beyond the cartridge deck 6152 of the cartridge body 6150. In various embodiments, the projection 6148 can extend into the tissue

thickness compensator 6158 when the tissue thickness compensator 6158 is positioned relative to the cartridge deck. In various embodiments, the shell 6160 can include a plurality of projections 6148 extending therefrom. The projections 6148 can be positioned along the length of the shell 6160, for example, and around the perimeter of the cartridge body 6150, for example.

[0438] Similar to the tissue thickness compensator 6058, the tissue thickness compensator 6158 can be thermoformed around the projections 6148 of the shell 6160. In various embodiments, the tissue thickness compensator 6158 can be wider than the shell 6160 such that a portion of the tissue thickness compensator 6158 extends beyond the perimeter of the cartridge body 6150. In such embodiments, the tissue thickness compensator 6158 can be thermoformed to the projections 6148 around the perimeter of the cartridge body 6150, for example. Additionally or alternatively, the tissue thickness compensator 6158 can be thermoformed to the ridges 6146 and/or to the staple legs extending from the fastener cavities 6154, for example. In various embodiments, the shell 6160 can include a metallic material, such as such as stainless steel 300 series, stainless steel 400 series, titanium, and/or medical grade aluminum, for example, to facilitate heat transfer and improve the thermoforming effect.

[0439] Referring now to FIGS. 119 and 120, an end effector assembly 6200 can include a first jaw or anvil 6210 and a second jaw 6202. The second jaw 6202 can include a cartridge body 6250 and a tissue thickness compensator 6258 releasably secured thereto. Similar to the cartridge body 5650, the cartridge body 6250 can include fastener cavities 6254 and fasteners, such as surgical staples, for example, which can be removably positioned therein. In various embodiments, a surgical staple 6290 can be positioned on a driver 6220 in a fastener cavity 6254. Referring primarily to FIG. 119, when the driver 6220 is in a pre-fired position, a portion of the staple 6290 can be positioned in the fastener cavity 6254. In various embodiments, the staple 6290 can include a base 6292 and legs 6294a, 6294b extending from the base 6292. The first leg 6294a can extend from a first end of the base 6292, for example, and a second leg 6294b can extend from a second end of the base 6292, for example. In various embodiments, when the driver 6220 is in a pre-fired position and the staple 6290 is in a pre-formed configuration, the base 6292 of the staple 6290 can be positioned in the fastener cavity 6254 and the legs 6294a,

6294b of the staple 6290 can extend from the fastener cavity 6254 into the tissue thickness compensator 6258.

**[0440]** In various embodiments, referring still to FIGS. 119 and 120, the staple legs 6294a, 6294b can include a barb between the base 6292 and the tips 6299a, 6299b of each staple leg 6294a, 6294b. The barb can be a sharp and/or pointed protrusion, such as a thorn, for example. In various embodiments, wire diameter of staples can be approximately 0.0069", approximately 0.0079", and/or approximately 0.0089", for example. The barb can be approximately 0.001", for example. In certain circumstances, the barb can be between approximately 0.0005" to approximately 0.003", for example. In certain embodiments, a first lower barb 6296a can be positioned on the first staple leg 6294a and a second lower barb 6296b can be positioned on the second staple leg 6294b. Lower barbs 6296a, 6296b can be positioned between the base 6292 and the tips 6299a, 6299b of the staple legs 6294a, 6294b. Further, a first upper barb 6298a can be positioned on the first staple leg 6294a and a second upper barb 6298b can be positioned on the second staple leg 6294b. Upper barbs 6298a, 6298b can be positioned between the lower barbs 6296a, 6296b and the tips 6299a, 6299b on the respective staple legs 6294a, 6294b. When the driver 6220 is in a pre-fired position and the staple 6290 is in a pre-formed configuration, at least one barb 6296a, 6296b, 6298a, 6298b of the staple 6290 can be positioned in the tissue thickness compensator 6258. In such embodiments, the barb 6296a, 6296b, 6298a, 6298b can grip and/or hold the tissue thickness compensator 6258 relative to the cartridge body 6250, for example. The barb 6296a, 6296b, 6298a, 6298b embedded in the tissue thickness compensator 6258 can prevent and/or limit lateral movement of the tissue thickness compensator 6258 relative to the cartridge deck, for example, and/or can prevent lifting of the tissue thickness compensator 6258 away from the cartridge deck, for example. Additionally or alternatively, in various embodiments, a barb can be positioned at the tips 6299a, 6299b of the staple legs 6294a, 6294b.

**[0441]** Referring primarily to FIG. 120, when the driver 6220 moves to a fired position, the staple 6290 can be removed and/or ejected from the fastener cavity 6254. Further, the tissue thickness compensator 6258 and the tissue T can be clamped between the anvil 6210 and the cartridge body 6250 of the end effector assembly 6200. The staple forming pockets 6214 in the anvil 6210 can form the staple 6290 into a B-form, for example.

Further, at least one barb 6296a, 6296b, 6298a, 6298b of the staple 6290 can engage the tissue clamped within the staple 6290, for example. The barb 6296a, 6296b, 6298a, 6298b can grip and/or hold the tissue T captured within the staple 6290.

[0442] Referring now to FIGS. 121-124, a fastener 6390 can be releasably held by a lock driver 6320 in a fastener cartridge 6350 (FIGS. 123 and 124) for use with an end effector assembly. In various embodiments, the fastener 6390 can include a base 6392 and legs 6394a, 6394b extending from the base 6392. The first leg 6394a can extend from a first end of the base 6392, for example, and a second leg 6394b can extend from a second end of the base 6392, for example. In certain embodiments, the lock driver 6320 can releasably hold the base 6392 of the fastener 6390. In various embodiments, the lock driver 6320 can include a catch 6340, which can releasably hook and/or hold the base 6392. The catch 6340 can be flexible, for example, and can flex to release the base 6392 of the fastener 6390, for example. In various embodiments, the lock driver 6320 and/or the catch 6340 can be comprised of plastic, such as Ultem, for example, with either glass filler or no glass filler such that the catch 6340 is sufficiently elastically and/or plastically deformed.

[0443] Referring primarily to FIGS. 123 and 124, the lock driver 6320 can be moveably positioned in a fastener cavity 6354 defined in the cartridge deck 6352 of the cartridge body 6350. The lock driver 6320 can move from a locked position (FIG. 123) to an unlocked position (FIG. 124) in the fastener cavity. A sled and/or driver in the cartridge body 6350 can engage the lock driver 6320 during a firing stroke to move the lock driver 6320 from the locked position to the unlocked position. In various embodiments, the fastener 6390 can be secured to the lock driver 6320 when the lock driver 6320 is in the locked position, and can be released from the lock driver 6320 when the lock driver 6320 is moved to the unlocked position. When the lock driver 6320 moves from the locked position to the unlocked position, the fastener 6390 can be ejected from the fastener cavity 6354. A key 6353 adjacent to the fastener cavity 6354 can release the fastener 6390 from the lock driver 6320, for example. The key 6353 can be a lip extending inwardly from at least a portion of the rim of the fastener cavity 6354, for example. In various embodiments, the key 6353 can have a camming surface 6355. When the lock driver 6320 moves from the locked position to the unlocked position, a ledge 6344 of the catch

6340 can abut the camming surface 6355 of the key 6353. In such embodiments, as the catch 6340 moves against the camming surface 6355, the camming surface 6355 can flex the catch 6340, such that the hook 6342 releases the base 6392 of the fastener 6390. In various embodiments, the hook 6342 can rotate upwardly to release the base 6392. For example, the hook 6342 can rotate upwardly such that the opening of the hook 6342 is directed upward toward the tissue thickness compensator 6358, and such that the base 6392 can move upward through the opening and away from the lock driver 6320.

**[0444]** Referring still to FIGS. 123 and 124, a tissue thickness compensator 6358 can be releasably secured to the cartridge deck 6352 of the cartridge body 6350. When the lock driver 6320 is in the locked position (FIG. 123), the staple legs 6394a, 6394b can extend from the fastener cavity 6354 into the tissue thickness compensator 6358. The staple legs 6394a, 6394b can hold the tissue thickness compensator 6358 relative to the cartridge deck 6352, for example, and can prevent and/or limit lateral movement of the tissue thickness compensator 6358 relative to the cartridge deck 6352, for example. Further, when the lock driver 6320 moves to the unlocked position and the fastener 6390 is ejected from the fastener cavity 6354 (FIG. 124), the catch 6340 can release the base 6392 of the fastener 6390 such that the fastener 6390 can disengage the lock drivers 6320 and the cartridge body 6350. When the fasteners 6390 removably positioned in the fastener cavities 6354 are ejected from their respective fastener cavities 6354 and disengage the cartridge body 6350, the tissue thickness compensator 6358 can be unsecured to and/or released from the cartridge body 6350.

**[0445]** Referring now to FIGS. 125-129, an end effector assembly 6400 can include a first jaw and/or anvil 6410 (FIGS. 127-129) and a second jaw 6402. The second jaw 6402 can include a fastener cartridge body 6450 and a tissue thickness compensator 6458 releasably secured to the second jaw 6402 and/or to the tissue thickness compensator 6458. In certain embodiments, the fastener cartridge body 6450 and the tissue thickness compensator releasably secured thereto can comprise a fastener cartridge assembly, for example. In various embodiments, the cartridge body 6450 can include a cartridge deck 6452 and a slot 6456 extending through at least a portion of the cartridge body 6450. Cavities can be defined in the cartridge deck 6452 and into the cartridge body 6450. For example, fastener cavities 6454 can be defined in the cartridge deck 6452 and can receive

fasteners 6490 (FIGS. 126A-129) therein. The fasteners 6490 can be removably positioned in the fastener cavities 6454. For example, a single fastener 6490 can be removably positioned in each fastener cavity 6454, and can be ejected from the fastener cavity 6454 during a firing stroke. Further, lock cavities 6448 can be defined in the cartridge deck 6452 and can receive locks 6440 therein. For example, a single lock 6440 can be moveably positioned in each lock cavity 6448, and can be moved from a locked position (FIGS. 127 and 128) to an unlocked position (FIG. 129) during the firing stroke.

**[0446]** Referring primarily to FIG. 126, the lock 6440 can include a base 6444 and a hook 6442 moveably positioned relative to the base 6444. For example, the hook 6442 can move within an aperture formed through at least a portion of the base 6444. The hook 6442 can receive and/or hold a connector 6480, for example. The hook 6442 can be comprised of liquid crystal polymer (LCP), Nylon, Ultem, polycarbonate, and/or ABS, for example. The connector 6480 can be a suture, for example. In certain embodiments, the connector can be comprised of PDS, PGA/PCL, PLLA/PCL, TMC/PCL, PGA and/or PCL, for example. In various embodiments, when the hook 6442 is embedded or partially embedded in the base 6444, the hook 6442 can constrain the connector 6480. The connector 6480 can be held between the hook 6442 and the base 6444, for example. When the hook 6442 is lifted or partially lifted out of the base 6444, the connector 6480 can be unconstrained by the hook 6442, for example, and can move out of engagement with the lock 6440, for example. In various embodiments, the connector 6480 can slide out of engagement with the lock 6440 when the hook 6442 is at least partially lifted out of the base 6444.

**[0447]** Referring primarily to FIG. 126A, the connector 6480 can extend from the tissue thickness compensator 6458. The tissue thickness compensator 6458 can be friction fit and/or thermoformed with the connector 6480, for example. In various embodiments, the connector 6480 can be threaded through the hook 6442 of the lock 6440 when the lock 6440 is in the unlocked position. As the connector 6480 is thread through the hook 6442, the tissue thickness compensator 6458 can move into position relative to the cartridge body 6450. For example, the tissue thickness compensator 6458 can be positioned on the cartridge deck 6452 of the cartridge body 6450. Referring primarily to FIG. 127, once the tissue thickness compensator 6458 is positioned relative to the cartridge body 6450, the

lock 6440 can be moved from the unlocked position to a locked position. For example, the hook 6442 of the lock 6440 can be embedded or partially embedded in the base 6444 such that the lock 6440 encloses and/or constrains the connector 6480. In various embodiments, the lock 6440 and/or driver 6420 can include a spring, which can bias the lock 6440 into the unlocked position, for example. When in the locked position, the tissue thickness compensator 6458 can be secured to the cartridge body 6450 by the connector-lock engagement, for example.

[0448] Referring primarily to FIGS. 128 and 129, a key can move along at least a portion of the cartridge body 6450 during a firing stroke. The key can be a sled 6434 and/or an element of the firing assembly, for example. In various embodiments, the sled 6434 can engage the drivers in the cavities in the cartridge body 6450 during the firing stroke. The sled 6434 can push the drivers toward the cartridge deck 6452 and/or toward the tissue thickness compensator 6458 to eject fasteners from the fastener cavities 6454 and/or to move the locks 6440 from the locked position to the unlocked position. Referring primarily to FIG. 128, the sled 6434 can engage a driver 6420 in the lock cavity 6448 during the firing stroke. The sled 6434 can move the driver 6420 toward the cartridge deck 6452 and/or toward the tissue thickness compensator 6458. Further, referring primarily to FIG. 129, the driver 6420 can move the lock 6440 from the locked position to the unlocked position. For example, the driver 6420 can push the hook 6442 out of the base 6444. When the hook 6442 is lifted out of the base 6444, the connector can be unconstrained by the lock 6440. In such embodiments, the tissue thickness compensator 6458 can be unsecured to and/or released from the cartridge body 6450, for example.

[0449] Referring now to FIG. 67, a tissue thickness compensator 17050, for example, can comprise a first portion 17052 and a second portion 17054 extending relative to the first portion 17052. The tissue thickness compensator 17050 can comprise part of a staple cartridge assembly. In some circumstances, the tissue thickness compensator 17050 can be attached to a cartridge body of the staple cartridge assembly. In certain circumstances, the tissue thickness compensator can be assembled to an anvil of a surgical stapling instrument. In either event, the first portion 17052 of the tissue thickness compensator 17050 can be compressible. In use, the first portion 17052 can be captured within staples ejected from the staple cartridge and can apply a compressive force to the tissue also



captured within the staples. The second portion 17054 of the tissue thickness compensator 17050 can extend through the first portion 17052 wherein the second portion 17054 can comprise a proximal end 17053 and a distal end 17055 extending from the first portion 17052. As discussed in greater detail below, the second portion 17054 may be less flexible and/or more rigid than the first portion 17052. Referring now to FIG. 68, a staple cartridge assembly 17000 can comprise a cartridge body 17010 including a plurality of staple cavities defined therein and a plurality of staples at least partially stored within the staple cavities. As illustrated in FIG. 68, the tissue thickness compensator 17050 can be mounted to the cartridge body 17010.

[0450] The staple cartridge assembly 17000 can comprise a proximal mount 17060 configured to releasably hold the proximal end 17053 of the second portion 17054 to the cartridge body 17010 and a distal mount 17070 configured to releasably hold the distal end 17055 to the second portion 17054. The proximal mount 17060 can comprise a single component or more than one component. As illustrated in FIG. 68, the proximal mount 17060 can comprise a first mount portion 17060a and a second mount portion 17060b configured to at least partially capture and hold the second portion 17054 against the cartridge body 17010. Turning now to FIG. 69, each mount portion 17060a, 17060b can comprise a key 17062 which can be releasably secured within a key slot 17012 defined in the cartridge body 17010. Each key 17062 and key slot 17012 can be sized and configured such that the sidewalls of the key slot 17012 can apply a retention force to the key 17062 which resists the removal of the key 17062 from the key slot 17012. In various circumstances, the key 17062 can be releasably press-fit and/or snap-fit within the key slot 17012. In at least one circumstance, the key 17062 can comprise an enlarged end 17063 which can be releasably clamped between the sidewalls of the key slot 17012, for example. As illustrated in FIGS. 68 and 69, each mount portion 17060a, 17060b can comprise a window 17064 configured to at least partially receive the proximal end 17053 of the second portion 17054. In such circumstances, the sidewalls of the window 17064 can be configured to engage and compress the tissue thickness compensator 17030 against the deck 17014 of the cartridge body 17010. Furthermore, at least a portion of the second portion 17054 can be contained within the mount portions 17060a, 17060b.

[0451] Referring again to FIGS. 68 and 69, similar to the above, the distal mount 17070 can comprise a window 17074 which can be sized and configured to receive at least a portion of the distal end 17055 of the second portion 17054. Also similar to the above, the sidewalls of the window 17074 can be configured to engage and compress the tissue thickness compensator 17030 against the deck 17014 of the cartridge body 17010. Furthermore, at least a portion of the second portion 17054 can be contained within the mount portion 17070. The distal mount portion 17070 can comprise one or more pins 17072 extending therefrom which can be releasably secured within one or more pin apertures 17011 defined in the cartridge body 17010. Each pin 17070 and pin aperture 17011 can be sized and configured such that the sidewalls of the pin aperture 17011 can apply a retention force to the pin 17072 which resists the removal of the pin 17072 from the pin aperture 17011. In various circumstances, each pin 17072 can be releasably press-fit and/or snap-fit within a pin aperture 17011.

[0452] To assemble the staple cartridge 17000, in at least one circumstance, the tissue thickness compensator 17030 can be positioned against the deck 17014 of the cartridge body 17010 and the proximal mounts 17060 and the distal mount 17070 can then be assembled to cartridge body 17010. The mounts 17060, 17070 can be assembled to the cartridge body 17010 to capture or trap the tissue thickness compensator 17050 against the cartridge body 17010 as discussed above. As also discussed above, the mounts 17060, 17070 can be configured to capture and releasably retain the ends of the second portion 17074 to the cartridge body 17010. In certain circumstances, the proximal mounts 17060 and/or the distal mount 17070 can be configured to capture at least a portion of the first portion 17052 therein. While the tissue thickness compensator 17050 depicted in FIGS. 67-69 comprises two portions, various alternatives are envisioned in which a tissue thickness compensator can comprise more than two portions. For example, a tissue thickness compensator can comprise a compressible first portion 17052 and two or more rigid second portions 17054 extending therethrough. Also, for example, a tissue thickness compensator can comprise two or more compressible portions arranged in any suitable arrangement, such as in two or more layers, for example.

[0453] Once assembled, the staple cartridge 17000 can be assembled to a surgical stapler. In at least one circumstance, the staple cartridge 17000 can be removably

retained with a channel defined in an end effector of the surgical stapler and then inserted into a surgical site within a patient. The proximal mounts 17060 and/or the distal mount 17070 can be configured to retain the tissue thickness compensator 17050 to the cartridge body 17010 while the staple cartridge 17000 is inserted into and/or manipulated within the surgical site. The second portion 17054 of the tissue thickness compensator 17050 can provide sufficient rigidity to the tissue thickness compensator 17050 such that the tissue thickness compensator 17050 does not become detached from the cartridge body 17010 until one or more of the proximal mounts 17060 and/or the distal mount 17070 is incised and/or detached from the cartridge body 17010, as discussed in greater detail below.

Owing to the rigidity of the second portion 17054, in various circumstances, the attributes of the first portion 17052 of the tissue thickness compensator 17050 can be primarily or exclusively selected so as to provide the desired tissue compensation properties of the tissue thickness compensator 17050. In use, the second portion 17054 of the tissue thickness compensator 17050 can resist relative movement between the proximal end 17053 and the distal end 17055 and, in various circumstances, resist the movement of the proximal end 17053 and the distal end 17055 toward one another.

**[0454]** Once the staple cartridge 17000 has been suitably positioned, in various circumstances, a firing member 17030 can be advanced through the staple cartridge 17000 to deploy the staples removably positioned therein. The staple cartridge 17000 can include a movable member 17034 which can be advanced from a proximal end of the staple cartridge 17000 toward a distal end of the staple cartridge 17000 by the firing member 17030. The movable member 17034, further to the above, can be configured to lift the staples removably stored within the cartridge body 17010 between an unfired position and a fired position. The firing member 17030 can further comprise a cutting portion, such as knife 17032, for example, which can be configured to transect the tissue being stapled as the firing member 17030 is advanced distally through the staple cartridge 17000. The knife 17032 can also be configured to transect the tissue thickness compensator 17050 as the firing member 17030 is advanced distally through the staple cartridge 17000. Referring primarily to FIGS. 67 and 68, the proximal end 17053 of the second portion 17054 can be severed by the knife 17032. In at least one such embodiment, the tissue thickness compensator 17050 can be at least partially severed, or

entirely severed, along a longitudinal axis at least partially defined by notch 17057 defined therein. As illustrated in FIG. 68, the notch 17057 can be aligned, or at least substantially aligned, with a longitudinal knife slot 17015 extending through the cartridge body 17010. Once the proximal end 17053 of the second portion 17054 has been at least partially transected by the knife 17032, the second portion 17054 can be at least partially released from, or can be releasable from, the proximal mounts 17060a, 17060b. In such circumstances, the tissue thickness compensator 17050 can become detached from the cartridge body 17010. For instance, the firing member 17030 may be at least partially advanced, or entirely advanced, through the staple cartridge 17000 to at least partially, or entirely, implant the tissue thickness compensator 17050 against the tissue and, owing to the at least partial transection of the tissue thickness compensator 17050, especially the second portion 17054, the tissue thickness compensator 17050 can be sufficiently flexible so as to slide out of the proximal mount portions 17060a, 17060b and the distal mount 17070. In use, in various circumstances, the firing member 17030 can be retracted to its proximal, or starting, position after the firing member 17030 has been at least partially fired and the tissue thickness compensator 17050 has been at least partially implanted wherein the cartridge body 17010 can then be pulled away from the implanted tissue thickness compensator 17050. For instance, if the cartridge body 17010 is pulled away from the tissue thickness compensator 17050 along the longitudinal axis, the at least partially transected tissue thickness compensator 17050 may be able to buckle longitudinally and the proximal and distal ends of the tissue thickness compensator 17050 may move toward one another, for example.

**[0455]** Referring now to FIGS. 70-72, a tissue thickness compensator 17150 can comprise a compressible portion 17152 and a mount portion 17154 extending through and/or extending from the compressible portion 17152. The compressible portion 17152 can comprise a proximal end 17153 which can include a thickness which is less than the thickness of the body portion 17156 of the tissue thickness compensator 17150. In at least one such embodiment, the proximal end 17153 can comprise a tapered portion, for example. Referring again to FIGS. 70-72, a staple cartridge assembly, such as staple cartridge 17100, for example, can include a proximal mount 17160 configured to releasably secure the mount portion 17154 of the tissue thickness compensator 17150 to a

cartridge body 17010. Proximal mount 17160 can comprise one or more locks 17162 extending therefrom which can be received within one or more keyholes 10112 defined in the cartridge body 17110. In at least one such embodiment, each of the locks 17162 can comprise a leg and a foot extending from the leg wherein the leg can be configured to flex laterally as the lock 17162 is inserted into a keyhole 17112 and then resiliently return, or at least substantially return, to its unflexed configuration such that the foot can releasably engage, or move behind, a sidewall of the keyhole 17112. Similar to the above, the proximal mount 17160 can further comprise a cavity 17164 configured to receive the proximal mount portion 17154 of the tissue thickness compensator 17150. The cavity 17164 can be configured to compress the proximal mount portion 17154 against the deck of the cartridge body 17110 and hold the proximal end of the tissue thickness compensator 17150 in position. In various circumstances, a firing member, such as firing member 17030, for example, can be configured to incise the proximal mount 17160 as the firing member 17030 is being advanced to incise the tissue thickness compensator 17150. In at least one such circumstance, the incision of the proximal mount 17160 can release the tissue thickness compensator 17150 from the cartridge body 17110. Referring again to the embodiment depicted in FIG. 68, for example, the firing member 17030 can be configured to pass through a slot defined between the proximal mount portions 17060a, 17060b and, in at least some circumstances, pass through the proximal mount portions 17060a, 17060b without incising the same.

**[0456]** Referring now to FIGS. 73-76, further to the above, a proximal mount for releasably holding a tissue thickness compensator to a cartridge body can comprise first and second portions 17260a, 17260b which, when assembled to the cartridge body, can define a longitudinal gap or slot 17267 which can be sized and configured to permit the firing member 17030 to pass therebetween. Similar to the above, each of the first and second portions 17260a, 17260b can comprise a cavity 17264 configured to at least partially receive and hold a tissue thickness compensator in place. Also similar to the above, each of the first and second portions 17260a, 17260b can comprise locks 17262 extending therefrom which can be configured to engage the cartridge body.

**[0457]** As discussed above, a staple cartridge assembly can include a proximal mount or attachment portion configured to hold the proximal end of a tissue thickness compensator

to the proximal end of a cartridge body and a distal mount or attachment portion configured to hold the distal end of the tissue thickness compensator to the distal end of the cartridge body. In certain other embodiments, a staple cartridge assembly may only comprise at least one proximal mount or at least one distal mount for holding the tissue thickness compensator to the cartridge body. Turning now to FIG. 147, a cartridge assembly 17300 can comprise a cartridge body 17310 and a tissue thickness compensator 17350, wherein the distal end of the tissue thickness compensator 17350 can comprise a distal end 17355 configured to be releasably mounted to the cartridge body 17310. In at least this embodiment, the distal end of the cartridge body 17310 can include lock apertures 17011 configured to receive and attach at least one distal mount to the cartridge body 17310. The reader will appreciate, at least with respect to this embodiment, that the cartridge assembly 17300 does not further include a proximal mount for mounting the proximal end of the tissue thickness compensator 17350 to the cartridge body 17310. In various circumstances, the distal end 17355 can be integrally formed with the body portion 17356 of the tissue thickness compensator 17350 or, alternatively, attached to the body portion 17356.

**[0458]** In various embodiments, referring now to FIGS. 156 and 157, a staple cartridge assembly, such as staple cartridge 10400, for example, can comprise a cartridge body 10410 including a distal end, or nose, 10419 which can be configured to releasably hold a tissue thickness compensator 10450 in position. Similar to the above, the tissue thickness compensator 10450 can comprise a first portion 10452 mounted to a second portion 10454, wherein the second portion 10454 can include a distal end 10455 configured to be releasably held by the nose 10419. In various circumstances, the nose 10419 and a deck 10414 of the cartridge body 10410 can define a slot 10418 therebetween configured to receive the distal end 10455. The nose 10419 can be comprised of a resilient material which can be sized and configured such that the nose 10419 is biased into engagement with the distal end 10455. In use, referring to FIG. 157, the nose 10419 can be sufficiently flexible so as to permit the tissue thickness compensator 10450 to slide out from underneath the nose 10419 when the cartridge body 10410 is moved away from the tissue thickness compensator 10450 after the tissue thickness compensator 10450 has been at least partially implanted. Turning now to FIG. 158, further to the above, the first layer

10452 can be comprised of a compressible foam which can be mounted to the second layer 10454. In various circumstances, one or more adhesives can be utilized to mount the first layer 10452 to the second layer 10454. The first layer 10452 can be mounted to the second layer 10454 such that the distal end 10455 and a notch 10457 defined in the distal end 10455 remain exposed. The first layer 10452 may be mounted to the second layer 10454 such that the first layer 10452 is centered laterally with respect to a longitudinal center axis 10459 defined by the second layer 10454.

**[0459]** As discussed above, a staple cartridge assembly can include a movable firing member at least partially stored therein which can be configured to lift staples stored within the staple cartridge assembly between unfired positions and fired positions. Turning now to FIGS. 159 and 160, a staple cartridge assembly 10500 can include a cartridge body 10510, a tissue thickness compensator 10550, and a movable firing member, or sled, 10034 slidably stored therein. The sled 10034 can include one or more ramps 10035 defined thereon which can be configured to lift the staples from their unfired positions to their fired positions in use. Prior to use, the sled 10034 can be releasably locked in position. In at least one such embodiment, the tissue thickness compensator 10550 can be configured to releasably hold the sled 10034 in a proximal position before the sled 10034 is advanced distally to eject the staples from the staple cartridge assembly 10500 and incise the tissue thickness compensator 10550. The tissue thickness compensator 10550 can comprise one or more tabs, or detents, 10557 extending therefrom which can releasably engage the sled 10034. For instance, the sled 10034 can include one or more recesses 10037 within which the detents 10557 can be positioned until a sufficient force is applied to the sled 10034 which can cause the sled 10034 to overcome the retention force applied to the sled 10034 by the detents 10557. In use, the detents 10557 can be configured to hold the sled 10034 in position until a longitudinal firing force applied to the sled 10034 in the distal direction exceeds a threshold force wherein, when the firing force exceeds the threshold force, the sled 10034 can slide distally and the detents 10557 can sufficiently flex, or otherwise deform, to permit the sled 10034 to slide thereby. In at least one embodiment, the detents 10557 can be positioned proximal to the staple cavities defined in the cartridge body 10510 and/or proximal to the staples stored within the cartridge body 10510 such that the sled 10034 can be releasably held in an unfired

position which is proximal to the staples. Once the sled 10034 has been advanced distally, the sled 10034 can be advanced toward the staples.

**[0460]** Further to the above, referring again to FIGS. 159 and 160, the cartridge body 10510 can include one or more retention slots 10517 which can be configured to receive at least a portion of the detents 10557. More particularly, in at least the illustrated embodiment, a retention slot 10517 defined in one side of the cartridge body 10510 can be aligned with a recess 10037 defined in a corresponding side of the sled 10034 when the sled 10034 is in its proximal, unfired position such that a detent 10557 can be concurrently positioned within the aligned retention slot 10517 and the recess 10037. In at least one such embodiment, the sidewalls of the retention slot 10517 defined in the cartridge body 10510 can support the detent 10557 and at least inhibit the detent 10557 from becoming prematurely dislodged from the recess 10037. As discussed above, the sled 10034 can be advanced distally such that the recess 10037 is no longer aligned with the detent 10557; however, in at least the illustrated embodiment, the detent 10557 may remain aligned with and/or positioned within the retention slot 10517 after the sled 10034 has been at least partially advanced. Referring primarily to FIG. 159, a first arrangement comprising a detent 10557, a sled recess 10037, and a cartridge retention slot 10517 can be arranged with respect to a first side of the sled 10034 and a second arrangement comprising a second detent 10557, a second sled recess 10037, and a second cartridge retention slot 10517 can be arranged with respect to a second, or opposite, side of the sled 10034.

**[0461]** Certain embodiments of staple cartridges can include a pliable layer, such as a tissue thickness compensator and/or a buttress material, for example, on a staple deck, wherein staples can be arranged so that the tips of the unfired staples extend into the layer. In certain other embodiments, the pliable layer can comprise a compressible and/or crushable staple cartridge that is implantable in a patient and deforms and/or compresses when captured in the staples. The pliable layer and/or implantable staple cartridge can also deform and/or compress if a surgeon, nurse, technician, or other user (“user” or “users”) inadvertently presses a thumb or other finger against the pliable layer or implantable staple cartridge, for example. Such deformation and/or compression can render the staple cartridge unusable.



[0462] Staple cartridge retainers are often supplied with retainers, which can assist the user in loading the staple cartridge into a surgical stapler. The retainer can also cover the staple deck and any pliable layer, thereby preventing the users from inadvertently compressing, crushing, and/or deforming the pliable layer. However, users sometimes prematurely remove the staple cartridge retainer prior to fully installing the staple cartridge into an end effector of a surgical stapler. By prematurely removing the retainer, the users can risk causing damage to the pliable layer.

[0463] FIGS. 164-167 illustrate an embodiment of a retainer 10000 that can be attached to a staple cartridge 10010. Referring to FIG. 166 and 167, the staple cartridge 10010 can include a pliable layer 10020, such as a tissue thickness compensator and/or a buttress material, arranged on a staple deck 10011 of the staple cartridge 10010. As shown in FIG. 167, staples 10030 can extend from the staple cartridge 10010 into the exposed pliable layer 10020. If the retainer 10000 is prematurely removed, a user may inadvertently press on the pliable layer 10020 while pushing the staple cartridge 10010 into a staple cartridge channel of an end effector, thereby compressing and/or deforming the layer 10020.

[0464] FIGS. 168-173 illustrate an embodiment of a retainer 2600 that can be locked to a staple cartridge 2650 and that cannot be unlocked and removed from the staple cartridge 2650 until the staple cartridge 2650 is fully inserted into a staple cartridge channel 2670 of an end effector. As best illustrated in FIG. 168, a proximal end portion 2604 of the retainer 2600 can include movable cam portions 2616 with locking tabs 2626 extending from the movable cam portions 2616. The locking tabs 2626 extend into and engage a slot 2652, such as a knife slot, in the staple cartridge 2650. The engagement of the locking tabs 2626 within the slot 2652 releasably holds the retainer 2600 and the staple cartridge 2650 together. As explained in greater detail below, the locking tabs only disengage from the slot 2652 such that the retainer 2600 can be released and removed from the staple cartridge 2650 after the cam portions 2616 of the retainer 2616 engage a key in the staple cartridge channel 2670 that causes the cam portions 2616 to inwardly flex toward one another. Furthermore, in various embodiments, the cam portions 2616 can only engage the key if the staple cartridge 2650 is properly seated in the staple cartridge channel 2670.

[0465] As described above, in certain embodiments, the proximal end portion 2604 of the retainer 2600 can include cam portions 2616, each of which is attached to the body

2606 of the retainer 2600 by a neck 2624. The cam portions 2616 can be separated from one another by a gap 2622. The cam portions 2616 can flex inwardly in the direction of arrow I (shown in FIG. 172) when an inwardly-compressive force is applied and can resiliently flex outwardly in the direction of arrow O (shown in FIG. 170) about the necks 2624. A locking tab 2626 can extend from each cam portion 2618. As described in greater detail below, when arranged on a staple cartridge 2650, the locking tabs 2626 can extend into and releasably engage a slot 2652, such as a knife slot, in the staple cartridge 2650. Referring primarily to FIGS. 170 and 171, the cam portions can be biased in an outwardly flexed position such that lips 2628 extending from the locking tabs 2626 can engage ridges 2654 in the slot 2652 in the staple cartridge 2650. Biasing the cam portions 2616 in the outwardly flexed position can push the lips 2628 of the locking tabs 2626 into engagement with the ridges 2654 in the slot 2652 such that the retainer 2600 is locked to the staple cartridge 2650 absent an inwardly-compressive force from the key of the staple cartridge channel 2670.

[0466] Referring primarily to FIGS. 170-173, in various embodiments, the key of the staple cartridge channel 2670 can include interior walls of the staple cartridge channel 2670 that provide a progressively increasing inwardly-compressive force to the cam portions 2616 such that the cam portions 2616 can flex inwardly in the direction of arrow I (shown in FIG. 172) as the retainer 2600 and the staple cartridge 2650 are inserted into the staple cartridge channel 2670. For example, the staple cartridge channel 2670 can include first interior walls 2672 defining a first width that can accommodate the cam portions 2616 in their biased, outwardly-flexed position. The staple cartridge channel 2670 can include second interior walls 2676 defining a second width that can accommodate the cam portions 2616 in an inwardly-flexed position, as shown in FIG. 172. The staple cartridge channel 2670 can include intermediate interior walls 2674 positioned intermediate the first interior walls 2672 and the second interior walls 2676 that can transition from the first width to the second width. In use, the staple cartridge 2650 and the retainer 2600 are moved in a proximal direction relative to and toward the staple cartridge channel 2670 to be inserted into the staple cartridge channel 2670, indicated by arrow P in FIGS. 170 and 172. Referring primarily to FIGS. 170 and 171, as the staple cartridge 2650 and retainer 2600 are moved toward the staple cartridge channel 2670, rounded ends

2620 and outward-facing surfaces 2618 of the cam portions 2616 can engage the first walls 2672 of the staple cartridge channel 2670. As described above, in certain embodiments, the first walls 2672 can define a width that accommodates the cam portions 2616 in their biased, outwardly-flexed position. In various other embodiments, the first walls 2672 can define a width that accommodates the cam portions 2616 in a partially inwardly-flexed position, wherein the partial amount of inward flexing is sufficiently enough such that the lips 2628 of the locking tabs 2626 do not disengage from the ridges 2654 of the staple cartridge 2650 and the retainer 2600 becomes unlocked from the staple cartridge 2650. Referring now to FIGS. 172 and 173, as the staple cartridge 2650 and retainer 2600 continue to move proximally toward the staple cartridge channel 2670 in the direction of arrow P, the rounded ends 2620 and outward-facing surfaces 2618 engage the intermediate walls 2674 and then the second walls 2676. The intermediate walls 2674 and the second walls 2676 can provide a progressively increasing force that can cause the cam portions 2616 to flex progressively inward. Eventually, the cam portions 2616 will flex inwardly by an amount such that the lips 2628 of the locking tabs 2626 can be disengaged from the ridges 2654 in the slot 2652 of the staple cartridge 2650. When the locking tabs 2626 are disengaged from the ridges 2654, the retainer 2600 is unlocked from the staple cartridge 2650 such that the retainer 2600 can be removed from the staple cartridge 2650. In various embodiments, the cam portions 2616 flex inwardly so that the tabs 2626 disengage from the ridges 2654 only when the staple cartridge 2650 is fully inserted into the staple cartridge channel 2670.

**[0467]** In certain embodiments, a lockable retainer, such as retainer 2600 described above with reference to FIGS. 168-173, can also prevent a staple cartridge of a particular size from being inserted into an end effector that is intended for use with a staple cartridge of a different particular size. For example, the staple cartridge 2650 can comprise a datum surface 2632 that can engage a datum surface 2674 of the staple cartridge channel 2670. A first predetermined distance from the datum surface 2632 of the staple cartridge 2650 to the cam portions 2616 can correspond to a second predetermined distance between the datum surface 2674 of the staple cartridge channel 2670 and the walls 2672, 2674, and 2676 that comprise the key of the staple cartridge channel 2670. The first and second predetermined distances for a particularly-sized retainer and staple cartridge and for a

staple cartridge channel intended for use with the particularly-sized staple cartridge can be different from the first and second predetermined distances for other differently-sized retainers, staple cartridges, and staple cartridge channels. Put differently, each size of staple cartridge, retainer, and staple cartridge channel can have a first predetermined distance and a second predetermined distance that is different from other sizes of staple cartridge, retainer, and staple cartridge channel. As a result, attempting to insert a staple cartridge and retainer into an incorrectly-sized staple cartridge channel can result in the cam portions of the retainer not engaging the walls of the staple cartridge channel and/or the datum surfaces of the staple cartridge and the staple cartridge channel not engaging. For example, the staple cartridge 2650 and the retainer 2600 can be arranged so that, when they are inserted into a correctly-sized staple cartridge channel, the cam portions 2616 can only engage the second walls 2676 of the staple cartridge channel 2670 such that the locking tabs 2626 disengage from the slot 2652 in the staple cartridge 2650 when the datum surfaces 2632 and 2674 engage one another. If the staple cartridge 2650 and the retainer 2600 are too short for the staple cartridge channel 2670, for example, then the cam portions 2616 may not reach the second walls 2676 such that the locking tabs 2626 can be disengaged from the slot 2652 in the staple cartridge 2650 when the datum surfaces 2632 and 2674 are engaged. As a result, the retainer 2600 would not be unlocked and removable from the staple cartridge 2650. Conversely, if the staple cartridge 2650 and the retainer 2600 are too long for the staple cartridge channel 2670, for example, then the cam portions 2616 engaging the second walls 2676 of the staple cartridge channel 2670 could prevent the datum surfaces 2632 and 2674 of the staple cartridge 2650 and the staple cartridge channel 2670, respectively, from engaging. As a result, the staple cartridge 2650 would not be completely seated in the staple cartridge channel 2670.

**[0468]** In addition to the locking tabs 2626 extending from the cam portions 2616, the retainer 2600 can also include a pair of proximal tabs 2612 arranged near a proximal end 2602 of the retainer 2600 and a pair of distal tabs 2610 arranged near a distal end 2604 of the retainer 2600. The proximal tabs 2608 and the distal tabs 2610 can extend from the body 2606 and can engage and releasably hold the staple cartridge 2650. In certain embodiments, the proximal tabs 2612 and the distal tabs 2610 can engage and hold the staple cartridge 2650 until the staple cartridge 2650 is fully seated in the staple cartridge

channel 2670. Stated differently, the proximal tabs 2612 and/or the distal tabs 2610 can serve as another lock that prevents the retainer 2600 from being removed from the staple cartridge 2650 before the staple cartridge 2650 is completely seated in the staple cartridge channel 2670.

[0469] Referring primarily to FIG. 168, each proximal tab 2612 can include a proximal lip 2614 and each distal tab 2610 can include a distal lip 2610. Each proximal lip 2614 can include an inward-facing angled surface 2615 and each distal lip 2610 can include an inward-facing angled surface 2611. The proximal lips 2614 and the distal lips 2610 can engage and releasably hold lateral sides of the staple cartridge 2650. When the staple cartridge 2650 and the retainer 2600 are inserted into the staple cartridge channel 2670, the inward-facing angled surfaces 2611 and 2615 can engage edges 2672 and 2678 of the staple cartridge channel 2670. The edges 2672 and 2678 of the staple cartridge channel 2670 can flex outwardly the proximal tabs 2612 and/or the distal tabs 2610 such that the proximal lips 2614 and the distal lips 2610 disengage from the lateral sides of the staple cartridge 2650. When the proximal lips 2614 and the distal lips 2610 are disengaged, the retainer 2600 can be released and removed from the staple cartridge 2650.

[0470] Referring to FIGS. 174-180, the end effector 12 of a surgical instrument, for example, can be configured to receive an end effector insert 28010. In various embodiments, the end effector insert 28010 can comprise a compensator body 28012 and at least one clip 28014a, 28014b. In various embodiments, the end effector insert 28010 can comprise a proximal clip 28014b at the proximal end of the compensator body 28012 and a distal clip 28014a at the distal end of the compensator body 28012, for example. Referring primarily to FIG. 177, the distal clip 28014a can be secured to the anvil 25060 of the end effector 12 at or near the distal end of the anvil 25060. For example, the distal clip 28014a can be substantially aligned with and/or partially positioned within the longitudinal slot 25062 of the anvil 25060. Referring primarily to FIG. 178, the proximal clip 28014b can be secured to a staple cartridge 25000 in the lower jaw 25070 of the end effector 12 (FIG. 179). The proximal clip 28014b can be secured to the staple cartridge 25000 at or near the proximal end of the staple cartridge 25000. For example, the proximal clip 28014b can be substantially aligned with and/or positioned within a longitudinal slot 25004 in the staple cartridge 25000.

[0471] Referring now to FIGS. 179 and 180, the end effector insert 28010 can be inserted into the end effector 12 of a surgical instrument. In various embodiments, at least a portion of the end effector insert 28010, such as the compensator body 28012, distal clips 28014a, and/or proximal clip 28014b, can be deformable and/or resilient, for example. When the end effector insert 28010 is inserted into the end effector 12, the distal and/or the proximal clips 28014a, 28014b can bend or flex. When the clips 28014a, 28014b are flexed, for example, the clips 28014a, 28014b can seek to return to their initial, undeformed configuration and can generate a corresponding springback or restoring force, for example. In various embodiments, when the end effector insert 28010 is positioned within the end effector 12, the end effector insert 28010 can apply a spring load to the end effector 12. In some embodiments, the end effector insert 28010 can be solid or substantially solid such that an operator can grasp the insert 28010 when the operator is inserting the end effector insert 28010 and staple cartridge 25000 into the end effector 12.

[0472] In some embodiments, the end effector insert 28010 can be removed from the end effector 12 prior to cutting and/or fastening operations of the end effector 12. In other embodiments, the end effector insert 28010 can remain positioned in the end effector 12 during cutting and/or firing operations. For example, the end effector insert 28010 can be transected by the cutting element 25052 as staples are fired from their staples cavities 25002 (FIG. 178) in the staple cartridge 25000. In various embodiments, the end effector insert 28010 can comprise a tissue thickness compensation material, similar to at least one of the tissue thickness compensators described herein. For example, the end effector insert 28010 can comprise a polymeric composition, such as a bioabsorbable, biocompatible elastomeric polymer, for example. The end effector insert 28010 can further comprise a bioabsorbable polymer, such as, for example, lyophilized polysaccharide, glycoprotein, elastin, proteoglycan, gelatin, collagen, and/or oxidized regenerated cellulose (ORC), for example. In some embodiments, the end effector insert 28010 can comprise at least one therapeutic agent such as a pharmaceutically active agent or medicament.

[0473] Referring still to FIGS. 174-180, the end effector insert 28010 can be releasably attached to the end effector 12 and/or to the anvil 25060 and/or the staple cartridge 25000 of the end effector 12. The proximal clip 28014b can be releasably secured to the staple cartridge 25000 (FIG. 178), for example, and the distal clip 28014a can be releasably

secured to the anvil 25060 (FIG. 177), for example. In various embodiments, the proximal clip 28014b can be aligned with and/or retained within the slot 25004 of the staple cartridge 25000. Further, in certain embodiments, the distal clip 28014a can be aligned with and/or retained within the slot 25062 of the anvil 25060. Referring primarily to FIG. 179, in certain embodiments, the proximal clip 28014b can be releasably secured to the staple cartridge 25000 before the staple cartridge 25000 is positioned in the lower jaw 25070 (FIG. 179). As the staple cartridge 25000 and the attached end effector insert 28010 are moved toward and/or into the end effector 12 and/or the lower jaw 25070, the distal clip 28014a can be moved into alignment with the slot 25062 in the anvil 25060, for example. In various embodiments, when the staple cartridge 25000 and the end effector insert 28010 are positioned in the end effector 12 (FIG. 180), the distal clip 28014a can releasably engage the anvil 25060. The distal clip 28014a can slide into the slot 25062 in the anvil 25060, for example. In various embodiments, the distal clip 28014a can be positioned relative to the anvil 25060 before or while the proximal clip 28014b is positioned relative to the staple cartridge 25000.

**[0474]** When the end effector insert 28010 is releasably secured within the end effector 12, for example by the proximal clip 28014b and the distal clip 28014a as described herein, the end effector insert 28010 can be held in tension in the end effector 12. Stated differently, the proximal clip 28014b secured relative to the staple cartridge 25000 in the lower jaw 25070 can exert a pulling force along the end effector insert 28010 and on the distal clip 28014a secured relative to the anvil 25060, for example. In various embodiments, the tension between the proximal clip 28014b and the distal clip 28014a can help to hold the end effector insert 28010 in the end effector 12.

**[0475]** In various embodiments, when the staple cartridge 25000 and end effector insert 28010 are positioned in the end effector 12, the proximal clip 28014b can be positioned intermediate the unfired sled 25056 (FIG. 178) and the staple cartridge 25000. For example, the unfired sled 25056 can be proximal to the proximal clip 28014b. In certain embodiments, during a firing stroke, the sled 25056 can move distally past the proximal clip 28014b, and can deflect the proximal clip 28014b, for example. In various embodiments, when the sled 25056 deflects the proximal clip 28014b during the firing stroke, the proximal clip 28014b can be released from the slot 25004 in the staple cartridge

25000. In certain embodiments, the sled 25056 and/or an element of the firing bar 25050 (illustrated elsewhere) can release the proximal clip 28014b from the staple cartridge 25000. Further, when the proximal clip 28014b is released from the staple cartridge 25000, the tension in the end effector insert 28010 can be at least partially relieved. In the absence of a pulling force exerted on the distal clip 28014a, the distal clip 28014a can release from the anvil 25060. Accordingly, the end effector insert 28010 can be released from the end effector 12 and, for example, can remain in the patient's tissue after the end effector 12 has been removed from the patient.

**[0476]** In certain embodiments, a proximal end of an anvil-attachable layer, such as a tissue thickness compensator and/or a buttress material, for example, can be releasably attached to a proximal end of a staple cartridge for alignment with and attachment to an anvil of an end effector into which the staple cartridge can be inserted. Generally, the anvil-attachable layer can be arranged relative to an anvil-facing side of a staple cartridge. For example, the anvil-attachable layer can be arranged on a staple deck of the staple cartridge and/or can be arranged on a staple deck layer. A proximal end of the anvil-attachable layer can be attached to a proximal end of the staple cartridge or a proximal end of the staple deck layer. After the staple cartridge is inserted into the end effector of the surgical stapler, the anvil of the surgical stapler can be closed against the anvil-attachable layer such that the layer becomes attached to the anvil. When the anvil is reopened, the anvil-attachable layer, now attached to the anvil, can move with the anvil and away from the staple cartridge. In various circumstances, as the attached layer moves with the anvil, the attached layer can pivot about its proximal end that is attached to the staple cartridge and/or the staple cartridge layer. In various other circumstances, as the attached layer moves with the anvil, the proximal end of the layer can detach from the staple cartridge. The surgical stapler, with the anvil-attachable layer attached to the anvil, can now cut and staple patient tissue. The anvil-attachable layer can also be cut by the surgical stapler and captured by the staples. After the anvil-attachable layer and patient tissue are captured by the staples, the surgical stapler can be removed from the patient. In various embodiments in which the anvil-attachable layer is still attached to the staple cartridge, the surgical stapler can be pulled free from the layer, breaking the attachment between the layer and the staple cartridge.



[0477] FIGS. 181 and 182 illustrate an embodiment of a staple cartridge assembly 2400 comprising an anvil-attachable layer 2414. The anvil-attachable layer 2414 can comprise a tissue thickness compensator and/or a buttress material, for example. A proximal end 2416 of the anvil-attachable layer 2414 can be attached to a proximal end 2418 of a staple cartridge body 2402. In various embodiments, the staple cartridge assembly 2400 can include a staple cartridge layer 2412, such as a tissue thickness compensator and/or a buttress material, for example, arranged on a staple deck of the staple cartridge body 2402. A cartridge pan 2404 can at least partially surround the staple cartridge body 2402 and can be comprised of a metal material, for example. The staple cartridge body 2402 can include a surface 2406 and grooves 2408 defined in the surface 2406 at a proximal end 2418 of the cartridge body 2402. Referring to FIG. 181, in order to attach the anvil-attachable layer 2414 to the staple cartridge body 2402, a proximal end portion 2416 of the anvil-attachable layer 2414 can be positioned over the grooves 2408. Then, as shown in FIG. 182, tabs 2410 extending from the cartridge pan 2404 can be deformed such that they extend into the grooves 2408, capturing the proximal end portion 2416 of the anvil-attachable layer 2414 in the grooves 2408 between the side walls of the grooves 2408 and the tabs 2410, for example. The tabs 2410 can also capture the anvil-attachable layer 2414 between bottoms of the grooves 2408 and the tabs 2410, for example.

[0478] In use, the staple cartridge assembly 2400 shown in FIG. 182, can be inserted into a staple cartridge channel of an end effector of a surgical stapler. Then, an anvil of the end effector can be closed against the anvil-attachable layer 2414. The anvil-attachable layer 2414 can be arranged on the staple cartridge body 2402 such that the layer 2414 is properly aligned with the anvil when the staple cartridge assembly 2400 is inserted into the staple cartridge channel 2400 and the anvil is then closed. In various embodiments, an anvil-facing surface 2415 of the anvil-attachable layer 2414 can include an adhesive that can adhere to a surface of the anvil and/or one or more attachment features that engage the anvil to attach the anvil-attachable layer 2414 to the anvil. For example, the anvil-facing surface 2415 can include one or more protrusions extending therefrom that can engage a knife slot of the anvil. After the anvil-attachable layer 2414 has been attached to the anvil, the anvil can be returned to an open position with the anvil-attachable layer 2414 attached thereto. The portion of the anvil-attachable layer 2414

attached to the anvil can pivot about the proximal end 2416 of the layer 2414 that is attached to the staple cartridge body 2402 to enable the layer 2414 to move with the anvil. Now, the surgical stapler can comprise a staple cartridge layer 2412 aligned on the staple cartridge body 2402 and the anvil-attachable layer 2414 attached to and aligned with the anvil.

[0479] When the staple cartridge layer 2412 aligned with the staple cartridge body 2402 and the anvil-attachable layer 2414 attached to and aligned with the anvil, the surgical stapler is prepared for use to cut and staple patient tissue. The staple cartridge body 2402 and the staple cartridge layer 2412 can be positioned on one side of the patient tissue and the anvil and anvil-attachable layer 2414 can be positioned on an opposite side of the patient tissue. The attachment of the anvil-attachable layer 2414 to the anvil and to the staple cartridge body 2402 can stabilize the anvil-attachable layer 2414 relative to the anvil while the stapler is being positioned against the patient tissue. When the surgical stapler is properly positioned relative to patient tissue, the anvil can be closed, capturing the tissue between the staple cartridge body 2402 and the staple cartridge layer 2412 on one side of the tissue and the anvil and the anvil-attachable layer 2414 on a second opposing side of the tissue.

[0480] After the anvil is closed with patient tissue captured between the staple cartridge body 2402 and the staple cartridge layer 2412 on one side and the anvil and anvil-attachable layer 2414 on the other side, the surgical stapler can be fired. For example, a staple driver can be advanced in a distal direction through staple driver slots 2422 in the staple cartridge body 2402 to fire and form staples that are stored in the staple cartridge. The fired and formed staples can capture the staple cartridge layer 2412, the anvil-attachable layer 2414, and the patient tissue therebetween. Also, a cutting blade can be advanced in the distal direction through a knife slot 2420 in the cartridge body 2402 and a knife slot in the anvil. The cutting blade can sever the staple cartridge layer 2412, the anvil-attachable layer 2414, and the patient tissue therebetween as the cutting blade is advanced. In various embodiments, the staple driver and the cutting blade can be advanced simultaneously. In various circumstances, the staple driver can lead the cutting blade such that the staples are fired and formed before the cutting blade severs the patient tissue, the staple cartridge layer 2412, and the anvil-attachable layer 2414.

[0481] After the staple cartridge layer, the anvil-attachable layer 2414, and the patient tissue therebetween have been captured by the staples and cut by the cutting blade, the anvil can be reopened. When the anvil is reopened, the anvil-attachable layer 2414 that is now attached to the staple cartridge layer 2412 and the patient tissue by the staples can be detached from the anvil. For example, as the anvil is opened and/or as the surgical stapler is removed from the patient, the anvil-attachable layer 2414 can be held in place by the staples and the patient tissue, such that the layer 2414 can be pulled away from an adhesive and/or attachment feature, for example, that is holding the layer 2414 to the anvil. Furthermore, the proximal end 2416 of the anvil-attachable layer 2414 can be pulled away from the staple cartridge body 2402 in order to be detached from the proximal end 2416 of the staple cartridge body 2402. For example, in various circumstances, the portions of the proximal end 2416 of the anvil-attachable layer 2414 captured between the grooves 2408 in the cartridge body 2402 and the tabs 2410 of the cartridge pan 2404 can be pulled out from between the tabs 2410 and the grooves 2408. In various other circumstances, the anvil-attachable layer 2414 can be torn away from portions of the anvil-attachable layer 2414 that are captured between the grooves 2408 and the tabs 2410 of the cartridge pan 2404. For example, the portion of the anvil-attachable layer 2414 captured between the grooves 2408 and the tabs 2410 can be distressed by the tabs 2410 pressing into the portion of the layer 2414 in order to reduce the force required to tear the remaining portion of the layer 2414 and/or to define locations where the layer 2414 will tear. For example, the tabs 2410 extending into the anvil-adjustable layer 2414 may partially score, cut, and/or perforate the layer 2414, for example. After the staple cartridge layer 2412 is detached from the staple cartridge body 2402 and the anvil-attachable layer 2414 is detached from the staple cartridge body 2402 and the anvil, the surgical stapler can be removed from the patient, leaving the layers 2412 and 2414 implanted in the patient. The layers 2412 and 2414 can bolster the lines of staples and/or can compress to different thicknesses in different staples to provide at least a minimum amount of compression to patient tissue captured by the staples, for example.

[0482] Still referring to FIGS. 181 and 182, in various embodiments, the anvil attachable layer 2414 can be detached from the staple cartridge body 2402 after the layer 2414 is attached to the anvil and the anvil is reopened. As described above, after the staple

cartridge assembly 2400 is inserted into a staple cartridge channel and an anvil is closed on the anvil-attachable layer 2414, the layer 2414 can be attached to an anvil by an adhesive and/or attachment feature on an anvil-facing surface 2415 of the layer 2414. When the anvil is reopened, the anvil-attachable layer 2414 can move with the anvil away from the staple cartridge body 2402. In various circumstances, movement of the anvil and the anvil-attachable layer 2414 away from the staple cartridge body 2402 can pull the portions of the layer 2414 captured between the tabs 2410 of the cartridge pan 2404 and the grooves 2408 in the cartridge body 2402 out from between the tabs 2410 and the grooves 2408 such that the proximal end 2416 of the layer 2414 can also move with the anvil.

**[0483]** FIGS. 183 and 184 illustrate another embodiment comprising a staple cartridge assembly 2450 that includes an anvil-attachable layer 2464 attachable to a staple cartridge body 2452. In this embodiment, a proximal end 2466 of the anvil-attachable layer 2464 is attached to surfaces 2472 on attachment portions 2470 that can extend from a surface 2456 of the cartridge body 2452. The proximal end 2466 of the anvil-attachable layer 2464 can be attached to the surfaces 2472 by adhesives, ultrasonic welding, thermal welding, and/or heat staking, for example. In various embodiments, the staple cartridge assembly 2450 can include a staple cartridge layer 2462 arranged on the staple cartridge body 2462. In such embodiments, the attachment portions 2470 can extend from the surface 2456 of the cartridge body 2452 such that the surfaces 2472 are approximately level with an anvil-facing surface 2467 of the staple cartridge layer 2462. As a result, the anvil-attachable layer 2464 can lie substantially flat across the anvil-facing surface 2467 of the staple cartridge layer 2462 and the surfaces 2472. In various circumstances, similar to the embodiments described above with respect to FIGS. 181 and 182, after the staple cartridge assembly 2450 is inserted into a staple cartridge channel of an end effector, an anvil of the end effector can be closed in order to make contact with an anvil-facing side 2465 of the anvil-attachable layer 2464. An adhesive and/or attachment features on the anvil-facing side 2465 of the anvil-attachable layer 2464 can attach the anvil-attachable layer 2464 to the anvil. Then, when the anvil is reopened, the anvil-attachable layer 2464 can pivot about the proximal end 2466 attached to the surfaces 2472. Similar to the embodiments described above with respect to FIGS. 181 and 182, the staple cartridge

layer 2462, the anvil-attachable layer 2464, and patient tissue therebetween can be cut and stapled together. Then, the anvil of the surgical stapler is reopened and/or the surgical stapler is removed from the patient, the anvil-attachable layer 2464 can be detached from the anvil and the staple cartridge layer 2462 can be detached from the staple cartridge body 2452. Also, the proximal end 2466 of the anvil-attachable layer 2464 can detach from the adhesive and/or other attachment to the surfaces 2472 such that the anvil-attachable layer 2464 can be implanted in the patient.

[0484] Still referring to FIGS. 183 and 184, in various embodiments, when the anvil is reopened after the anvil-attachable layer 2464 is attached thereto, the proximal end 2466 of the anvil-attachable layer 2464 can detach from the surfaces 2472. For example, the proximal end 2466 of the anvil-attachable layer 2464 can also be attached to the anvil. When the anvil and attached anvil-attachable layer 2464 move in a direction away from the staple cartridge body 2452 and/or the staple cartridge layer 2462, the proximal end 2466 of the layer 2464 can be pulled and detach from the surfaces 2472. In such embodiments, the anvil-attachable layer 2464 can be detached from the staple cartridge before the staple cartridge layer 2464, the anvil-attachable layer 2464, and patient tissue therebetween are cut and stapled.

[0485] FIGS. 185 and 186 illustrate another embodiment comprising a staple cartridge assembly 2500 that includes a staple cartridge layer 2506 and an anvil-attachable layer 2510. In the embodiment shown in FIGS. 185 and 186, the anvil-attachable layer 2510 is attached to the staple cartridge layer 2506 instead of to the staple cartridge body 2502. The staple cartridge layer 2506 and the anvil-attachable layer 2510 each can comprise a tissue thickness compensator and/or a buttress material, for example. The anvil-attachable layer 2510 can include a first proximal tab portion 2512 extending from a proximal end 2508 of the layer 2510. The first proximal tab portion 2512 can be attached to a proximal end surface 2516 of the staple cartridge layer 2506. For example, the first proximal tab portion 2512 can be glued, welded, and/or overmolded onto the proximal end surface 2516 of the staple cartridge layer 2506. In certain embodiments, the anvil-attachable layer 2510 can include a second proximal tab portion 2514 extending from the first proximal tab portion 2512. The second proximal tab portion 2514 can be attached to a

bottom surface 2518 of the staple cartridge layer 2506 by gluing, welding, and/or overmolding, for example.

[0486] Similar to the embodiments described above with reference to FIGS. 181-184, after the staple cartridge assembly 2500 is inserted into a staple cartridge channel of an end effector of a surgical stapler and when an anvil of the end effector is closed on the anvil-attachable layer 2510, an anvil-facing surface 2511 of the anvil-attachable layer 2510 can be attached to the anvil by an adhesive and/or by attachment features. When the anvil is reopened, the anvil-attachable layer 2510 can move away from the staple cartridge layer 2506 and the staple cartridge body 2502 with the anvil. In various circumstances, the anvil-attachable layer 2510 can pivot about the first tab portion 2512 as the anvil reopens. After the anvil-attachable layer 2510 is attached to the anvil, the end effector can be closed on patient tissue such that the staple cartridge body 2502 and staple cartridge layer 2506 are positioned on a first side of the patient tissue and the anvil and anvil-attachable layer 2510 are positioned on a second opposing side of the patient tissue. As described above with reference to FIGS. 181 and 182, a cutting blade can be advanced through a knife slot 2520 in the cartridge body 2502 and a staple driver can be advanced through a staple driver slot 2422 in the cartridge body 2502. Referring primarily to FIG. 185, in certain embodiments, the first tab portion 2512 and the second tab portion 2514 of the anvil-attachable layer can be aligned with the knife slot 2520. As the cutting blade is advanced through the knife slot 2520, the cutting blade can sever the first tab portion 2512 and the second tab portion 2514. In various circumstances, the severing of the first tab portion 2512 and the second tab portion 2514 by the cutting blade can detach the first tab portion 2512 and the second tab portion 2514 from the staple cartridge layer 2506. After the cutting blade and the staple driver have been advanced and the staple cartridge layer 2506, the anvil-attachable layer 2510, and patient tissue therebetween have been cut and stapled, the anvil may be reopened such that the anvil-attachable layer 2510 separates from the anvil and the staple cartridge layer 2506 separates from the staple cartridge body 2502. As noted above, the anvil-attachable layer 2510 in the embodiment of FIGS. 185 and 186 is attached to the staple cartridge layer 2506 and not to the staple cartridge body 2502. Thus, no action is needed to separate the anvil-attachable layer 2510 from the staple cartridge body 2502. Furthermore, the first tab portion 2512 and/or the second tab

portion 2514 of the anvil-attachable layer 2510 can remain attached to the staple cartridge layer 2506 since both layers are captured by staples and are implantable in the patient.

For example, if the cutting blade does not detach the first tab portion 2512 and the second tab portion 2514 from the staple cartridge layer 2506, then the staple cartridge layer 2506 and the anvil-attachable layer 2510 will be attached to each other inside of the patient by the formed staples and by the first and second tab portions 2512 and 2514.

**[0487]** Still referring to FIGS. 185 and 186, in various embodiments, after the staple cartridge assembly 2500 has been inserted in to the staple cartridge channel and the anvil-attachable layer 2510 has been attached to the anvil, the first tab portion 2512 and the second tab portion 2514 can detach from the staple cartridge layer 2506 when the anvil is reopened and the anvil and anvil-attachable layer 2510 move away from the staple cartridge layer 2506. For example, the anvil and the anvil-attachable layer 2510 attached thereto can pull the first tab portion 2512 and the second tab portion 2514 away from the staple cartridge layer 2506 such that the first tab portion 2512 and the second tab portion 2514 detach from the staple cartridge layer 2506.

**[0488]** FIGS. 187 and 188 illustrate another embodiment comprising an anvil-attachable layer 2550 for use with a surgical stapler. As explained below, a proximal end portion 2554 of the anvil-attachable layer 2550 is attachable to a proximal end portion of a staple cartridge for insertion into an end effector of the surgical stapler and for alignment and attachment to an anvil of the end effector. A body 2552 of the anvil-attachable layer 2550 can be detached from the staple cartridge by a cutting blade of the surgical stapler at the beginning of the stroke of the cutting blade. For example, the cutting blade 2570 shown in FIG. 188 can detach the anvil-attachable layer 2550 from the staple cartridge before any patient tissue is cut and before any portion of the body 2552 of the anvil-attachable layer 2550 has been captured by staples.

**[0489]** Referring primarily to FIG. 187, the anvil-attachable layer 2550 can include a body 2552 and a proximal end portion 2554. The proximal end portion 2554 includes attachment features 2556 that can attach to a proximal end portion of a staple cartridge. For example, the attachment features 2556 can include adhesives, welds, and/or heat staking. The attachment feature 2556 can also comprise a portion captured between a slot in a staple cartridge and a tab of a cartridge pan, as described above with respect to

FIGS. 181 and 182, for example. The anvil-attachable layer 2550 can be attached to and aligned with the staple cartridge such that staple cavities of the staple cartridge are aligned with the body 2552 of the layer 2550. Put differently, when staples from the staple cartridge have been fired, the staples will capture the body 2552 of the anvil-attachable layer 2550. Similar to the embodiments described above with reference to FIGS. 181-186, a staple cartridge assembly that includes the anvil-attachable layer 2550 attached to a staple cartridge can be inserted into a staple cartridge channel of an end effector of a surgical stapler. An anvil of the end effector can close on an anvil-facing surface 2553 of the anvil-attachable layer 2550. The anvil-facing surface 2553 can include an adhesive and/or attachment features that releasably attach the anvil-attachable layer 2550 to the anvil when the anvil is closed on the anvil-facing surface 2553. When the anvil is reopened, the anvil-attachable layer 2550 can pivot about the attachment features 2556 to move with the anvil. Similar to the embodiments described above with reference to FIGS. 181-186, the staple cartridge can include a staple cartridge layer, such as a tissue thickness compensator and/or a buttress material, for example.

[0490] The anvil-attachable layer 2550 can comprise a first lateral side 2566 and a second lateral side 2568. The first lateral side 2566 and the second lateral side 2568 can define a midline 2564 therebetween. In certain embodiments, the anvil-attachable layer 2550 can be attached to and aligned with the anvil of the end effector such that the midline 2564 is aligned with a knife slot in the anvil and a knife slot in the staple cartridge. The body 2552 of the anvil-attachable layer 2550 can include a first lateral slit 2558 positioned near a proximal end and extending from the first lateral side 2566 and past the midline 2564. The body 2552 of the anvil-attachable layer 2550 also can include a second lateral slit 2560 positioned proximally relative to the first lateral slit 2558 extending from the second lateral side 2568 and past the midline 2564. The first lateral slit 2558 and the second lateral slit 2560 can define a connector portion 2562 therebetween that can connect the body 2552 of the anvil-attachable layer 2550 to the proximal end portion 2554 of the layer 2550.

[0491] Referring primarily to FIG. 188, after the anvil-attachable layer 2550 is releasably attached to the anvil of the end effector, the end effector can be closed on patient tissue such that the anvil and the anvil-attachable layer 2550 are on one side of the tissue and



the staple cartridge and/or the staple cartridge layer is on an opposite side of the tissue. Then, a cutting blade 2570 can be advanced through a knife slot in the cartridge, such as knife slot 2418 shown in FIGS. 181-185, for example, and a knife slot in the anvil. The midline 2564 of the anvil-attachable layer 2550 can be aligned with the knife slots such that the cutting blade 2570 progressively cuts the anvil-attachable layer 2550 along the midline. As the cutting blade advances through the anvil-attachable layer 2550 in a distal direction indicated by arrow D, a cutting edge 2572 of the cutting blade 2570 first cuts the proximal end portion 2554 of the layer 2550 before then cutting through the connector portion 2562, separating the body 2552 of the layer 2550 from the proximal end portion 2554 of the layer 2550. Finally, the cutting blade 2570 cuts through the body 2552 of the anvil-attachable layer 2550. After the cutting blade 2570 has advanced through the anvil-attachable layer 2550, the layer is divided in four pieces. The body 2552 of the anvil-attachable layer 2550 is detached from the proximal portion 2554 of the layer 2550. Furthermore, the body 2552 of the anvil-attachable layer 2550 is divided into two pieces 2580 and 2582 and the proximal portion 2554 of the layer 2550 is divided into two pieces 2586 and 2588.

**[0492]** In various circumstances, a surgeon using a surgical stapler may not completely fire the stapler. For example, referring to FIG. 188, the surgeon may only advance the cutting blade 2570 and the staple driver halfway through the body 2552 of the anvil-attachable layer 2550. Continuing the example, the body 2552 of the anvil-attachable layer 2550 is released from the staple cartridge at the beginning of the cutting stroke of the cutting blade 2570 when the blade 2570 severs the connector portion 2560 of the layer 2550. The cutting blade 2570 will then be advanced to cut along the midline 2564 along approximately half the length of the body 2552 of the anvil-attachable layer 2550. Likewise, a staple driver can advance to fire and form staples in patient tissue and in the half of the body 2552 of the layer 2550 that is cut by the cutting blade 2570. The remaining half of the body 2552 of the anvil-attachable layer 2550 is not cut and is not captured by staples. The cutting blade 2570 and the staple driver can then be retracted and the anvil can be reopened. When the anvil is reopened, the portion of the body 2552 of the anvil-attachable layer 2550 that is captured by the staples and attached to patient tissue can detach from the anvil. As described above, the connector portion 2560

connecting the body 2552 of the anvil-attachable layer 2550 to the proximal end portion 2554 can be severed before any staples are fired and before the cutting blade 2570 severs any patient tissue or any portion of the body 2552 of the layer 2550. Therefore, the body 2552 of the layer 2550 is already free from the staple cartridge. When the surgical stapler is removed from the patient, the portion of the body 2552 of the anvil-attachable layer 2550 that is captured by patient tissue can pull the remainder of the body 2552 away from the anvil. As this example describes, the anvil-attachable layer 2550 can accommodate an incomplete firing of the surgical stapler because the connector portion 2560 of the anvil-attachable layer 2550 can be cut by the cutting blade 2570 before any staples from a staple cartridge are fired and formed in the body 2552 of the layer 2550.

**[0493]** The embodiments described with reference to FIGS. 181-186 can also accommodate an incomplete firing of a surgical stapler. In each instance, a cutting blade of the surgical stapler is not needed to separate the anvil-attachable layer from the staple cartridge. In the embodiments described with reference to FIGS. 181-184, the anvil-attachable layers can be pulled free from their attachments to the staple cartridge body after a partial firing the surgical instrument. In the embodiments described with reference to FIGS. 185 and 186, the anvil-attachable layer is attached to a staple cartridge layer instead of being attached to the staple cartridge. As described above, the staple cartridge layer and the anvil-attachable layer are both implantable in the patient. Thus, whether the surgical instrument is completely fired has no bearing on separating the anvil-attachable layers in the embodiments described with reference to FIGS. 181-186 from a staple cartridge in a surgical stapler.

**[0494]** In various circumstances, a surgeon can use a second surgical instrument to detach the anvil-attachable layers, described above with reference to FIGS. 181-184, from a staple cartridge. For example, in various circumstances, the surgical stapler is used on delicate tissue, such as lung tissue, the surgeon may want to avoid tugging on the tissue that can result from pulling the surgical stapler free from the anvil-attachable layer. In such circumstances, the surgeon can introduce another surgical instrument, such as a grasping tool, to hold the stapled patient tissue and anvil-attachable layer stationary while the surgical stapler is removed from the patient. In the various embodiments of anvil-attachable layers described above with reference to FIGS. 185-188, a surgeon may not

need a second surgical tool to detach the anvil-attachable layer from the surgical stapler. Referring again to the embodiments described with reference to FIGS. 185 and 186, the anvil-attachable layer 2510 is attached to a staple cartridge layer 2506 that is also implanted in the patient. There is no attachment of the anvil-attachable layer to the staple cartridge in the surgical stapler. Therefore, the patient tissue does not need to be tugged or pulled to separate the anvil-attachable layer from the staple cartridge when the stapler is removed from the patient. Referring again to the embodiments described with reference to FIGS. 187 and 188, the body 2552 of the anvil-attachable layer 2550 is mechanically detached from the surgical stapler by a cutting blade 2570 at the beginning of the stroke of the cutting blade. Again, there is no attachment of the body 2552 of the anvil-attachable layer 2550 to the staple cartridge in the surgical stapler when the surgical stapler is ready for removal from the patient after cutting and stapling patient tissue. Therefore, the patient tissue does not need to be tugged or pulled to separate the body 2552 of the anvil-attachable layer 2550 from the staple cartridge when the stapler is removed from the patient.

[0495] Referring primarily to FIGS. 189-190, a compensator 27120 for a sleeve 27110 can comprise a body 27122 having a longitudinal protrusion 27124 that extends along at least a portion of the body 27122. The longitudinal protrusion 27124 can define a longitudinal path along the midline of the body 27122, for example. In various embodiments, the longitudinal protrusion 27124 can be received by a longitudinal slot in an anvil when the sleeve 27110 is positioned on the anvil. Referring primarily to FIG. 191, the longitudinal protrusion 27124 can comprise a rounded projection. For example, the cross-section of the longitudinal protrusion 27124 can form an arc and/or partial ring. In other embodiments, the longitudinal protrusion 27124 can comprise an angular and/or stepped projection. The compensator 27120 can further comprise an edge 27126, which can be straight, bent, fluted, wavy, and/or zigzagged, for example. In various embodiments, the edge 27126 can comprise gaps 27128 that can be configured to receive the catch extensions extending from the anvil when the assembled sleeve 27110 is positioned on the anvil.

[0496] As outlined herein, a layer, such as a tissue thickness compensator, for example, can be implanted against tissue by one or more fasteners ejected from a staple cartridge.

As also outlined herein, in various circumstances, the entirety of a staple line can capture at least a portion of the layer against the tissue. For instance, the proximal-most staples in a staple line can capture at least a portion of the layer therein while the distal-most staples in the staple line can also capture at least a portion of the layer therein. In certain circumstances, a proximal portion of the layer can extend proximally with respect to the proximal-most staples in the staple line and/or a distal portion of the layer can extend distally with respect to the distal-most staples in the staple line. In use, a series of layers can be implanted. In at least one such circumstance, the layers can be implanted consecutively along a cut line. In some circumstances, the layers can be implanted such that one layer partially overlaps another layer. For instance, the distal end of a first implanted layer can overlap with the proximal end of a second implanted layer. Likewise, the distal end of the second implanted layer can overlap with a proximal end of a third layer, and so forth. As a result, certain fasteners may capture a portion of two or more layers therein. The presence of two or more layers captured within a staple can increase the pressure applied to the tissue captured within the staple and/or increase the rigidity of the tissue, especially when several adjacent staples have captured more than one layer. Referring now to FIGS. 192-194, as described in greater detail below, a tissue thickness compensator 11050 can comprise a proximal end 11053 and a distal end 11055 wherein the proximal end 11053 and/or the distal end 11055 can comprise one or more strain relief portions which can reduce the rigidity of the tissue thickness compensator 11050 and the rigidity of the tissue being stapled.

**[0497]** Referring again to FIGS. 192-194, the distal end 11055 of the tissue thickness compensator 11050 can comprise one or more slots 11058 defined therein. The slots 11058 can comprise cuts and/or notches, for example, defined in the tissue thickness compensator 11050. The slots 11058 can define projections, or tabs, 11056 which can be configured to at least partially move and/or flex relative to one another and/or the body portion of the tissue thickness compensator 11050. Stated another way, the slots 11058 can provide localized strain relief to the tissue thickness compensator 11050 and the underlying tissue. In certain circumstances, the tabs 11056 of a first tissue thickness compensator 11050 can be overlapped with a proximal end 11053 of a second tissue thickness compensator 11050. In various circumstances, the slots 11058 can permit the

## DEMANDE OU BREVET VOLUMINEUX

LA PRÉSENTE PARTIE DE CETTE DEMANDE OU CE BREVET COMPREND PLUS D'UN TOME.

CECI EST LE TOME           1   DE   2  
CONTENANT LES PAGES    1   À   153

NOTE : Pour les tomes additionels, veuillez contacter le Bureau canadien des brevets

## JUMBO APPLICATIONS/PATENTS

THIS SECTION OF THE APPLICATION/PATENT CONTAINS MORE THAN ONE VOLUME

THIS IS VOLUME           1   OF   2  
CONTAINING PAGES    1   TO   153

NOTE: For additional volumes, please contact the Canadian Patent Office

NOM DU FICHER / FILE NAME :

NOTE POUR LE TOME / VOLUME NOTE:

## WHAT IS CLAIMED IS:

1. A staple cartridge, comprising:
  - a cartridge body comprising a deck;
  - a plurality of staples removably stored within said cartridge body; and
  - an implantable layer assembly positioned over said deck, wherein said implantable layer assembly comprises:
    - a compensation layer configured to be at least partially captured within said staples when said staples are moved from an unfired position to a fired position, wherein said compensation layer comprises a first length; and
    - an overlap layer extending from said compensation layer, wherein said overlap layer comprises a second length, wherein said second length is longer than said first length, and wherein said overlap layer is configured to overlap an adjacent implanted implantable layer.
2. The staple cartridge of Claim 1, wherein said compensation layer is comprised of a compressible foam.
3. The staple cartridge of Claim 1, wherein said deck comprises a distal deck end, wherein said compensation layer comprises a distal compensation end, wherein said overlap layer comprises a distal overlap end, and wherein said distal overlap end extends beyond said distal deck end and said distal compensation end.

4. The staple cartridge of Claim 1, wherein said overlap layer and said compensation layer comprise a laminate material.
5. The staple cartridge of Claim 1, wherein said overlap layer comprises a flexible end member extending from said compensation layer.
6. A staple cartridge, comprising:
  - a cartridge body comprising a deck;
  - a plurality of staples removably stored within said cartridge body; and
  - an implantable layer positioned over said deck, wherein said implantable layer comprises:
    - a compensation portion configured to be captured within said staples when said staples are moved from an unfired position to a fired position; and
    - an overlap portion extending from said compensation portion, wherein said overlap portion is configured to overlap the compensation portion of an adjacent implanted implantable layer.
7. The staple cartridge of Claim 6, wherein said compensation portion is comprised of a compressible foam.
8. The staple cartridge of Claim 6, wherein said deck comprises a distal deck end, wherein said compensation portion comprises a distal compensation end, wherein said

overlap portion comprises a distal overlap end, and wherein said distal overlap end extends beyond said distal deck end and said distal compensation end.

9. The staple cartridge of Claim 6, wherein said overlap portion and said compensation portion comprise a laminate material.

10. The staple cartridge of Claim 6, wherein said overlap portion comprises a flexible end member extending from said compensation portion.

11. A staple cartridge, comprising:

a cartridge body comprising a tissue-supporting deck, wherein said tissue-supporting deck comprises a proximal end, a distal end, and a plurality of staple cavities defined between said proximal end and said distal end;

a plurality of staples removably stored within said cartridge body; and

an implantable layer positioned over said tissue-supporting deck, wherein said staples are configured to capture at least a portion of said implantable layer therein when said staples are moved from an unfired position to a fired position, and wherein said implantable layer comprises a tissue support portion which extends beyond said distal end of said tissue-supporting deck.

12. The staple cartridge of Claim 11, wherein said implantable layer comprises:

a compensation portion configured to be captured within said staples; and



an overlap portion extending from said compensation portion, wherein said overlap portion is configured to overlap the implantable layer of an adjacent implanted implantable layer.

13. The staple cartridge of Claim 12, wherein said compensation portion is comprised of a compressible foam.

14. The staple cartridge of Claim 12, wherein said compensation portion comprises a distal compensation end, wherein said overlap portion comprises a distal overlap end, and wherein said distal overlap end extends beyond said distal deck end and said distal compensation end.

15. The staple cartridge of Claim 12, wherein said overlap portion and said compensation portion comprise a laminate material.

16. The staple cartridge of Claim 12, wherein said overlap portion comprises a flexible end member extending from said compensation portion.

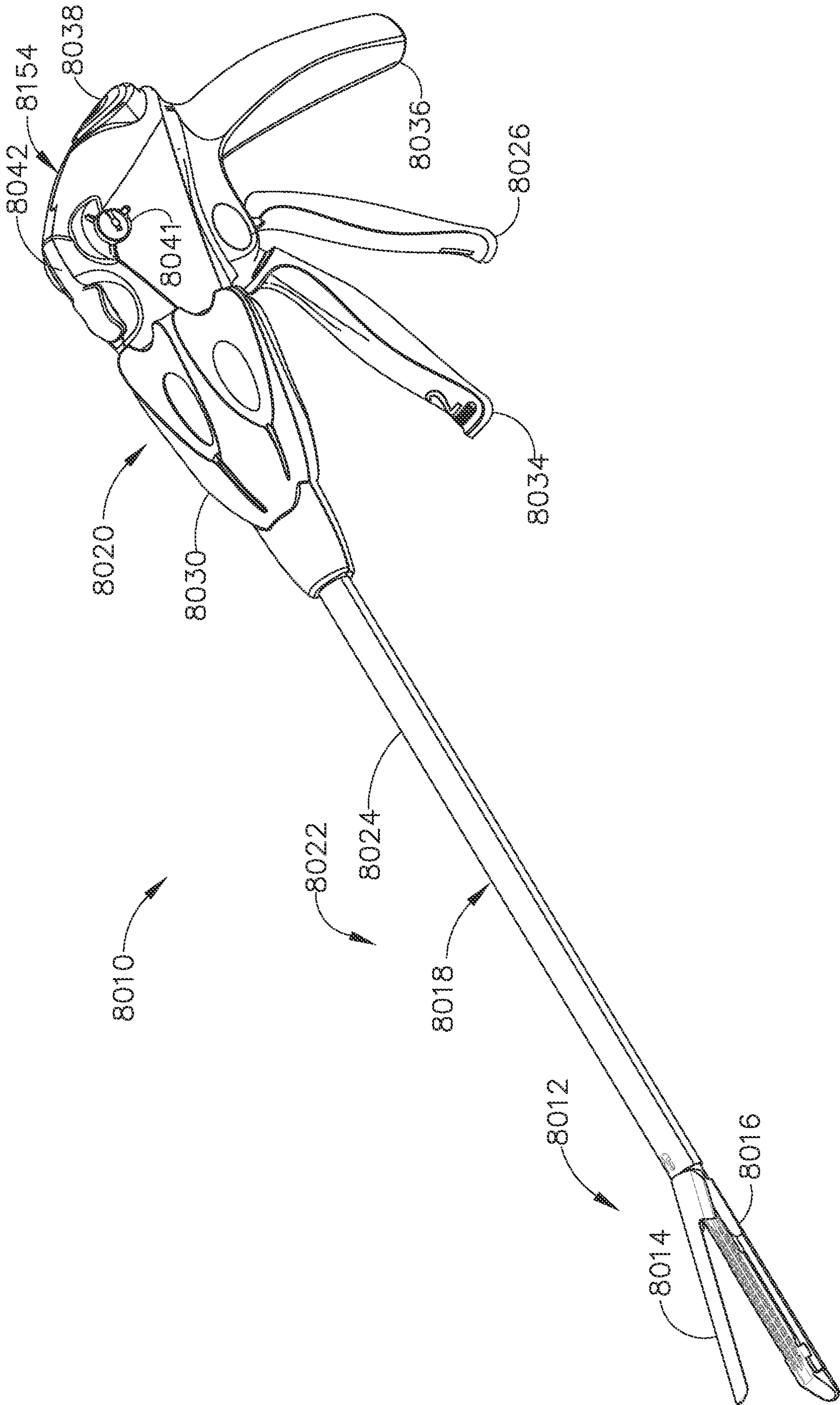


FIG. 1

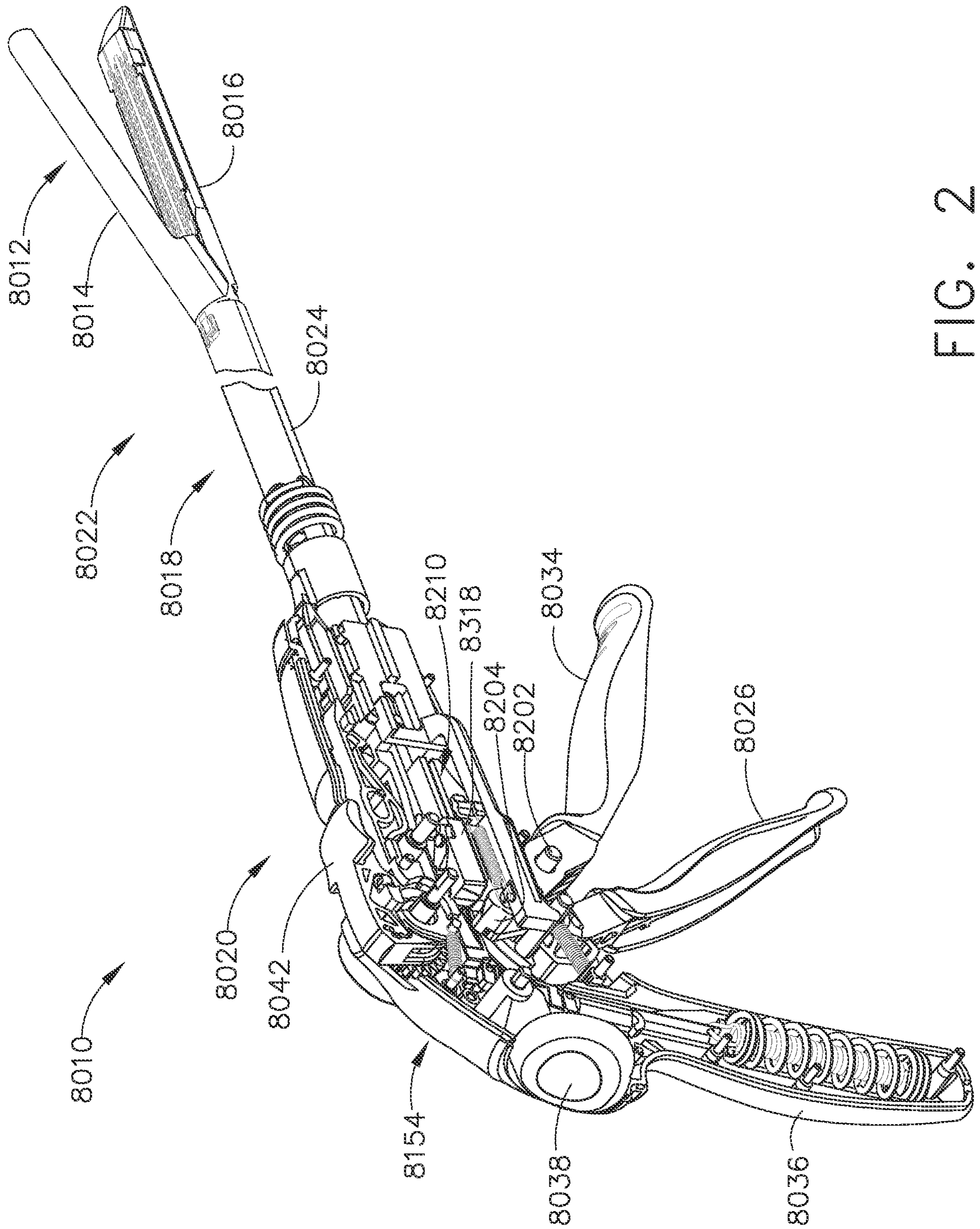


FIG. 2

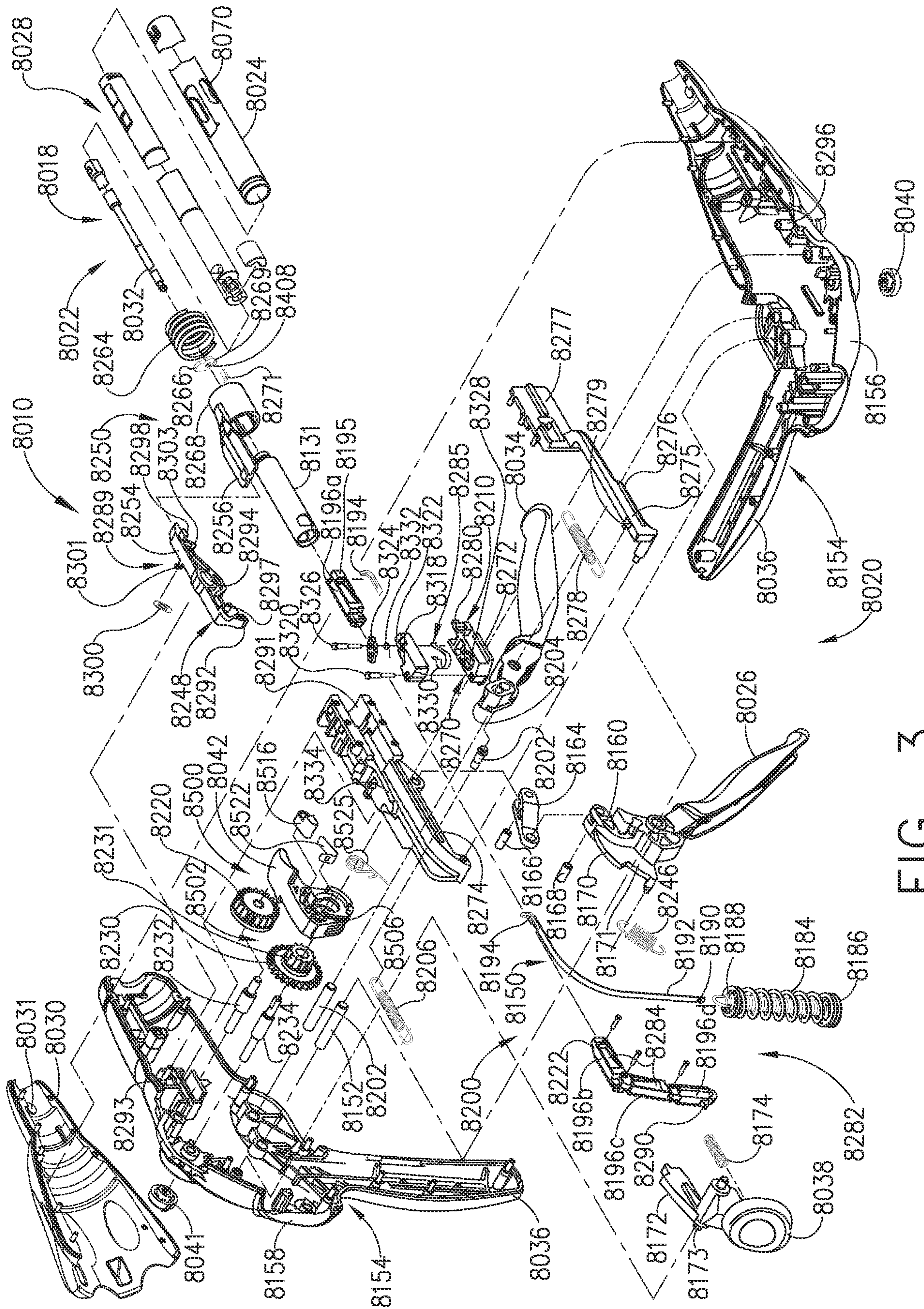


FIG. 3

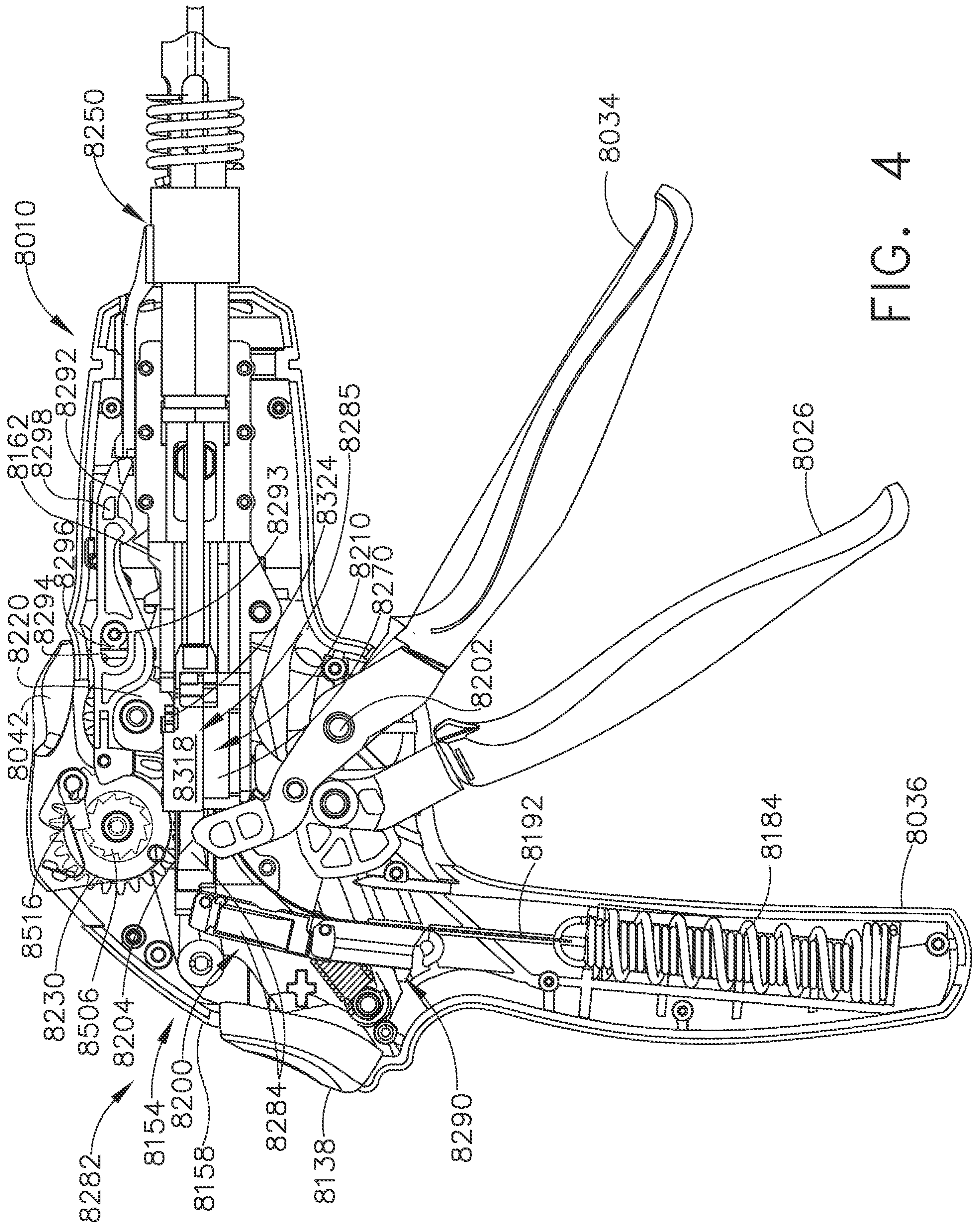


FIG. 4

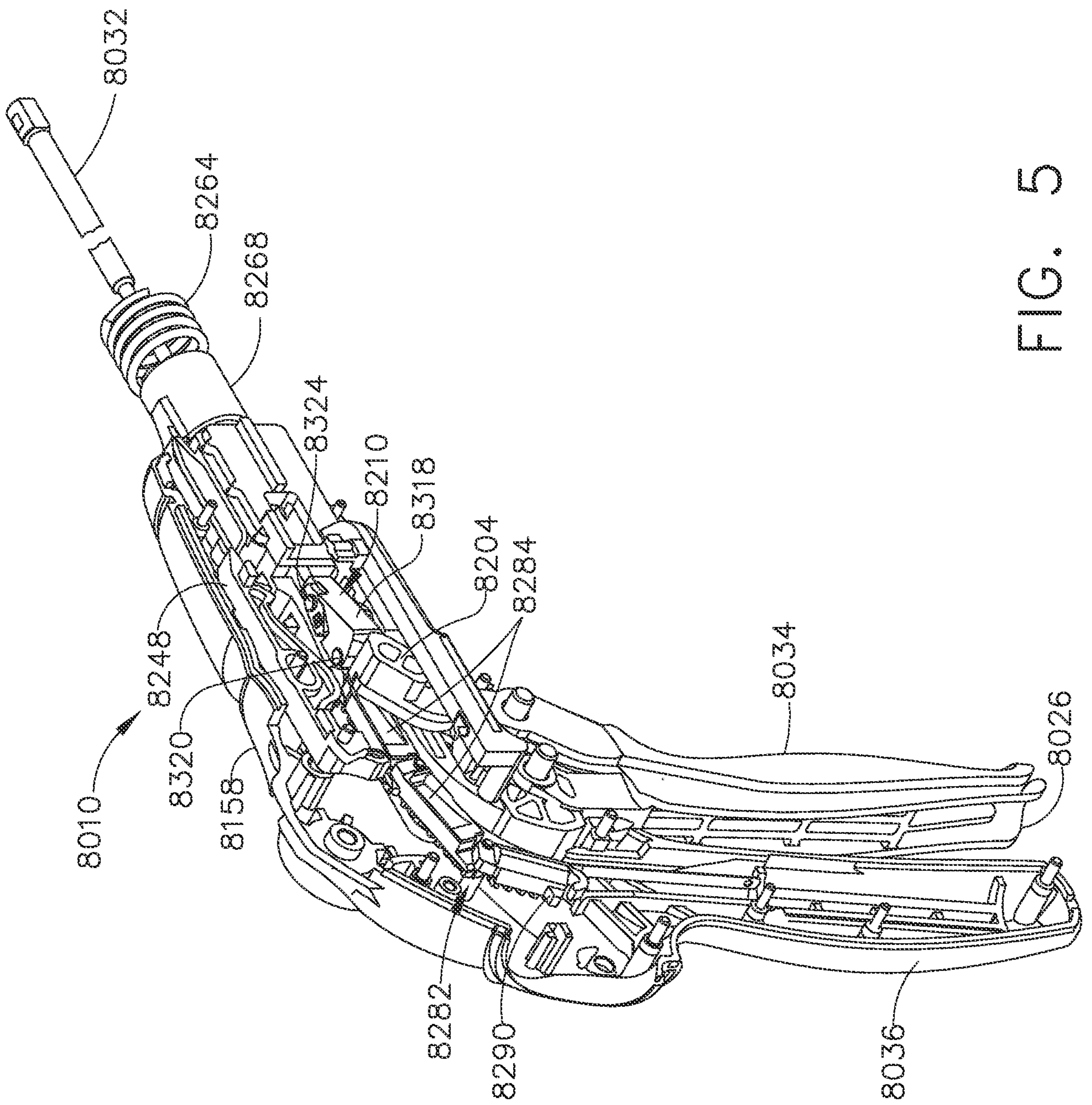


FIG. 5

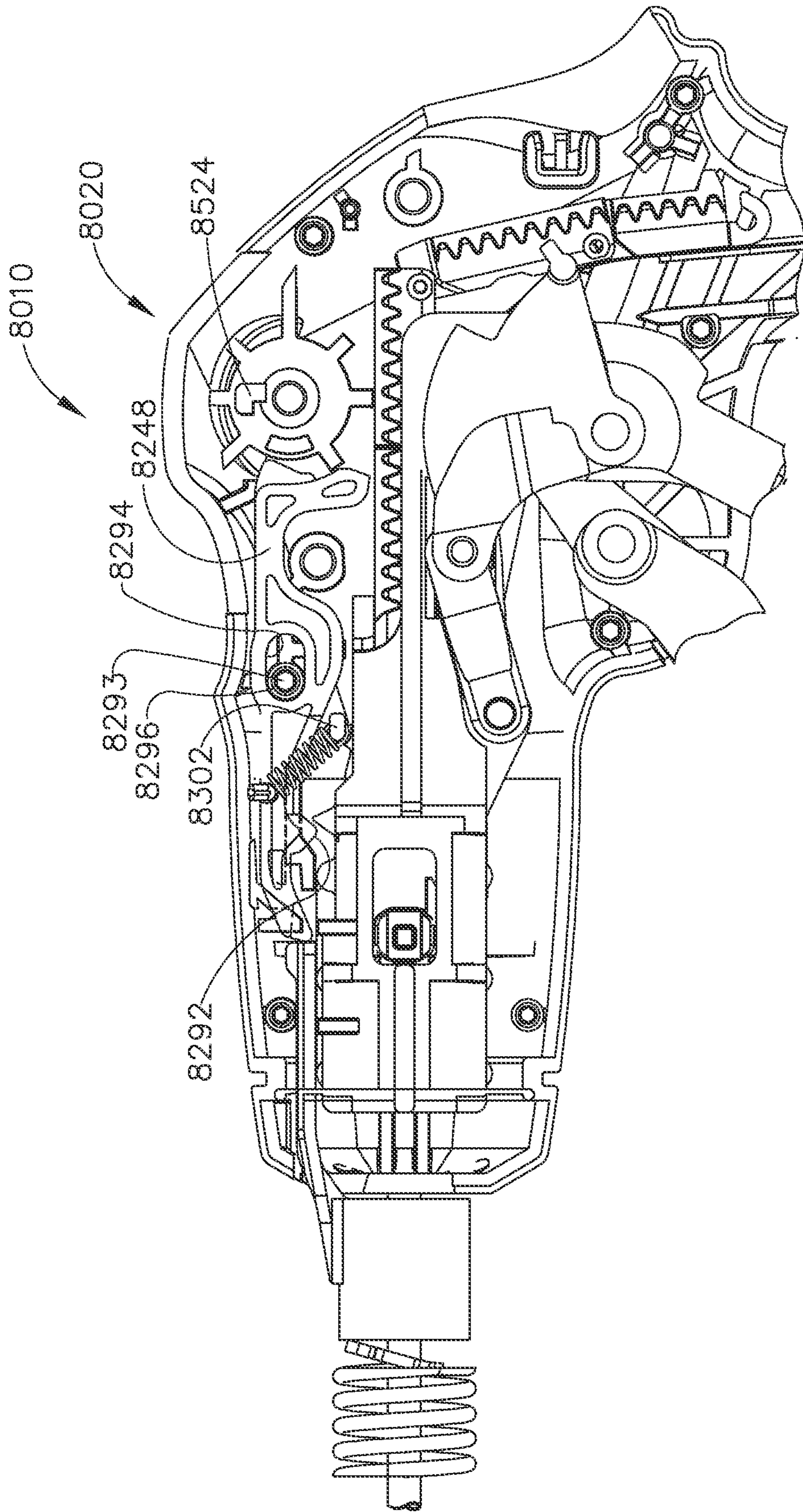


FIG. 6

7/177

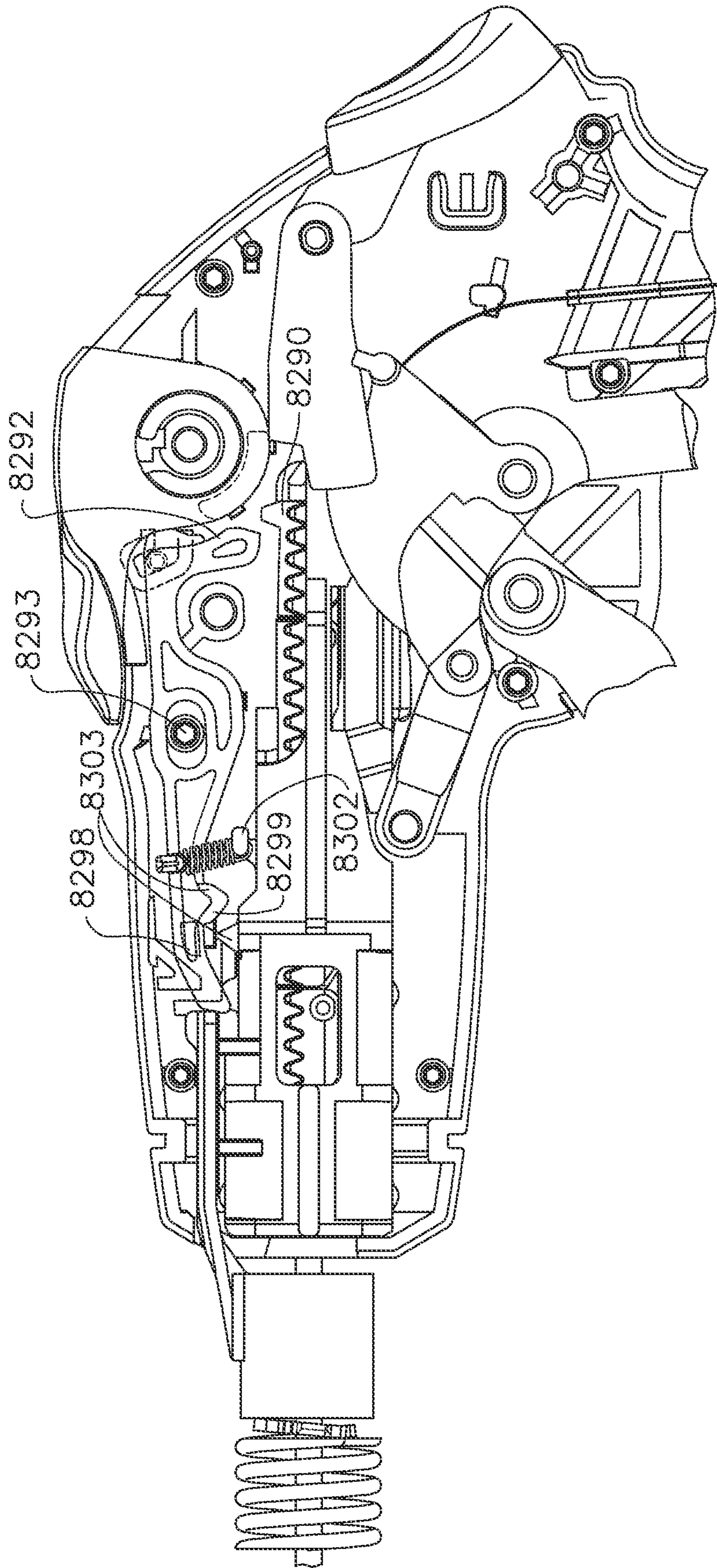


FIG. 7



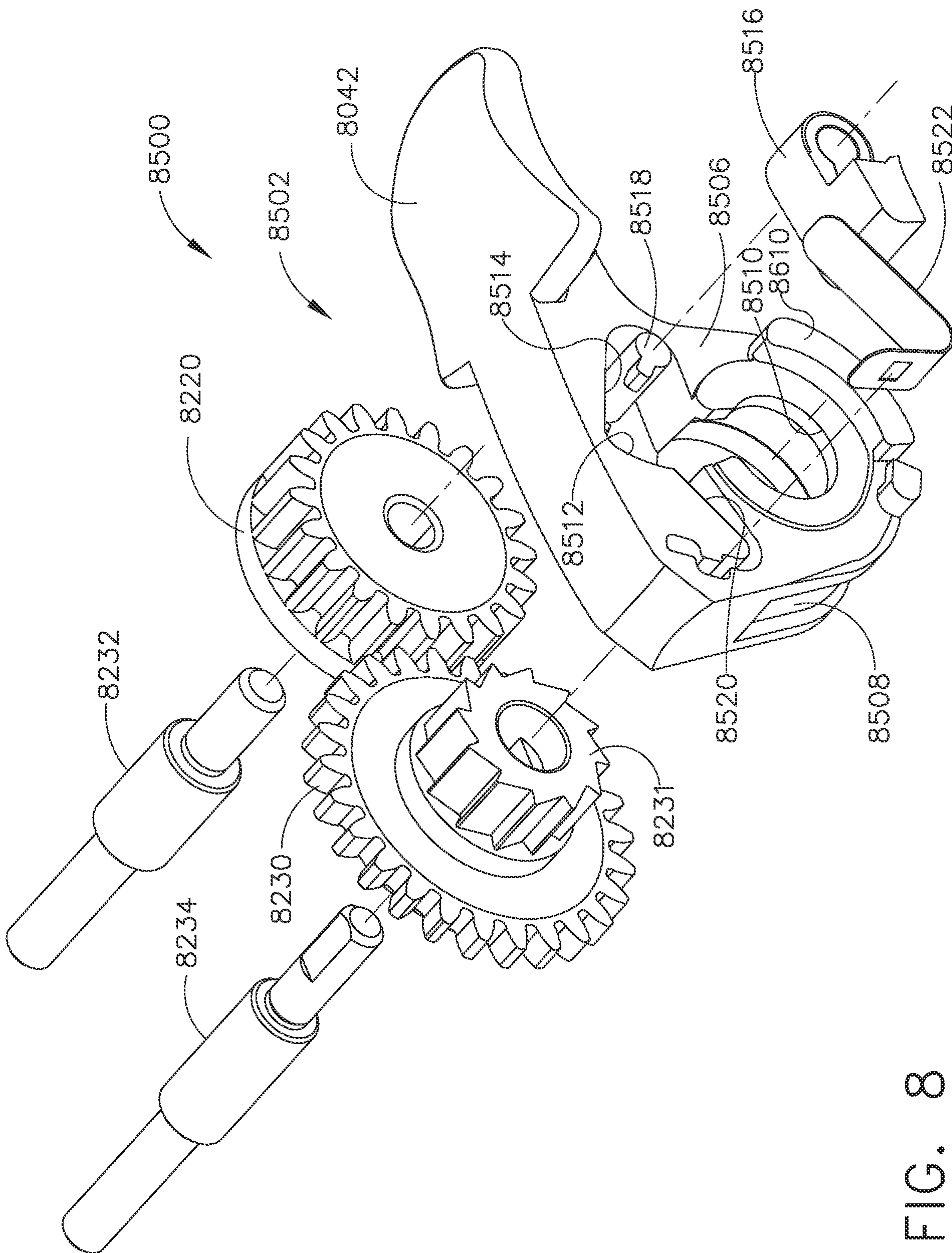


FIG. 8

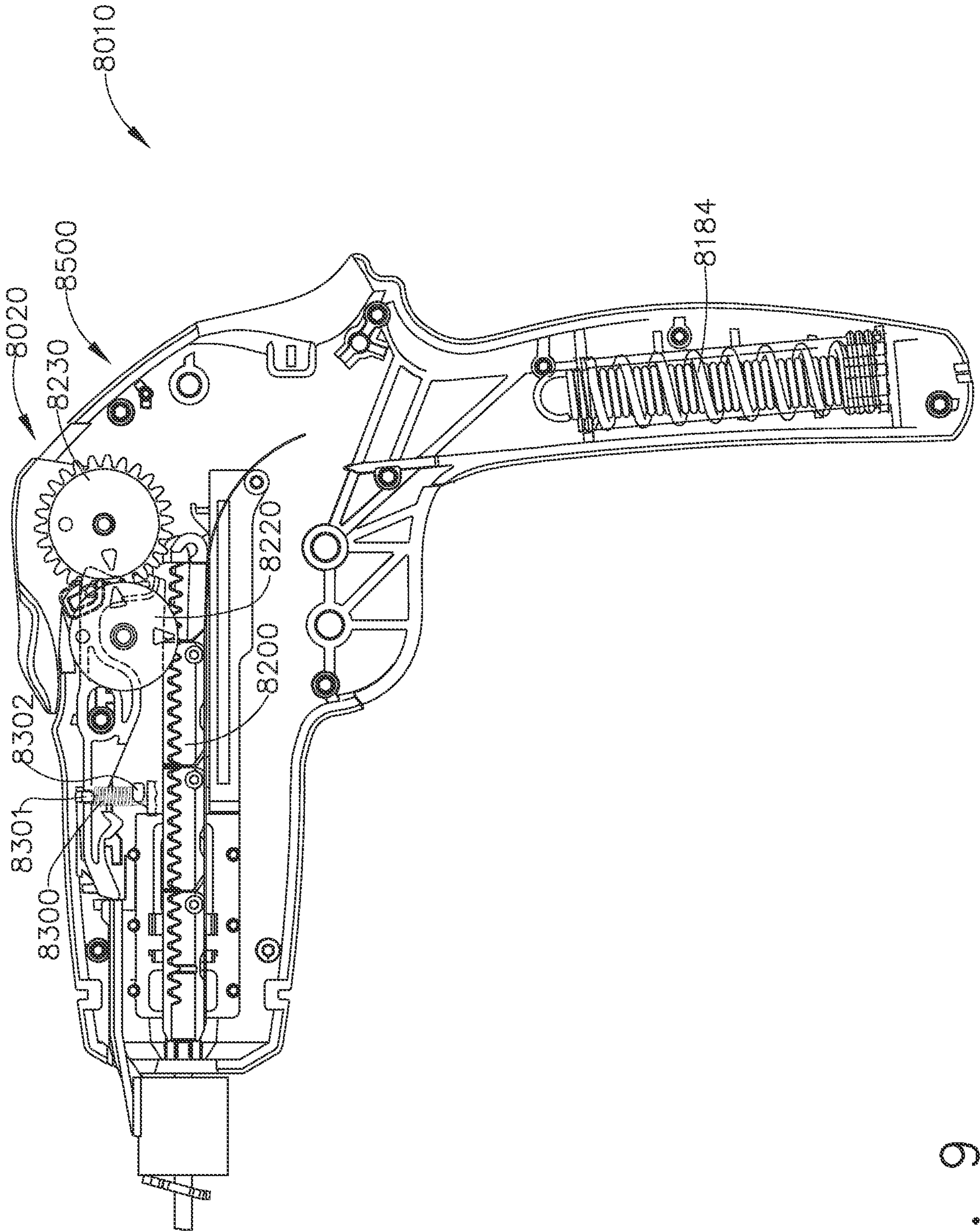


FIG. 9

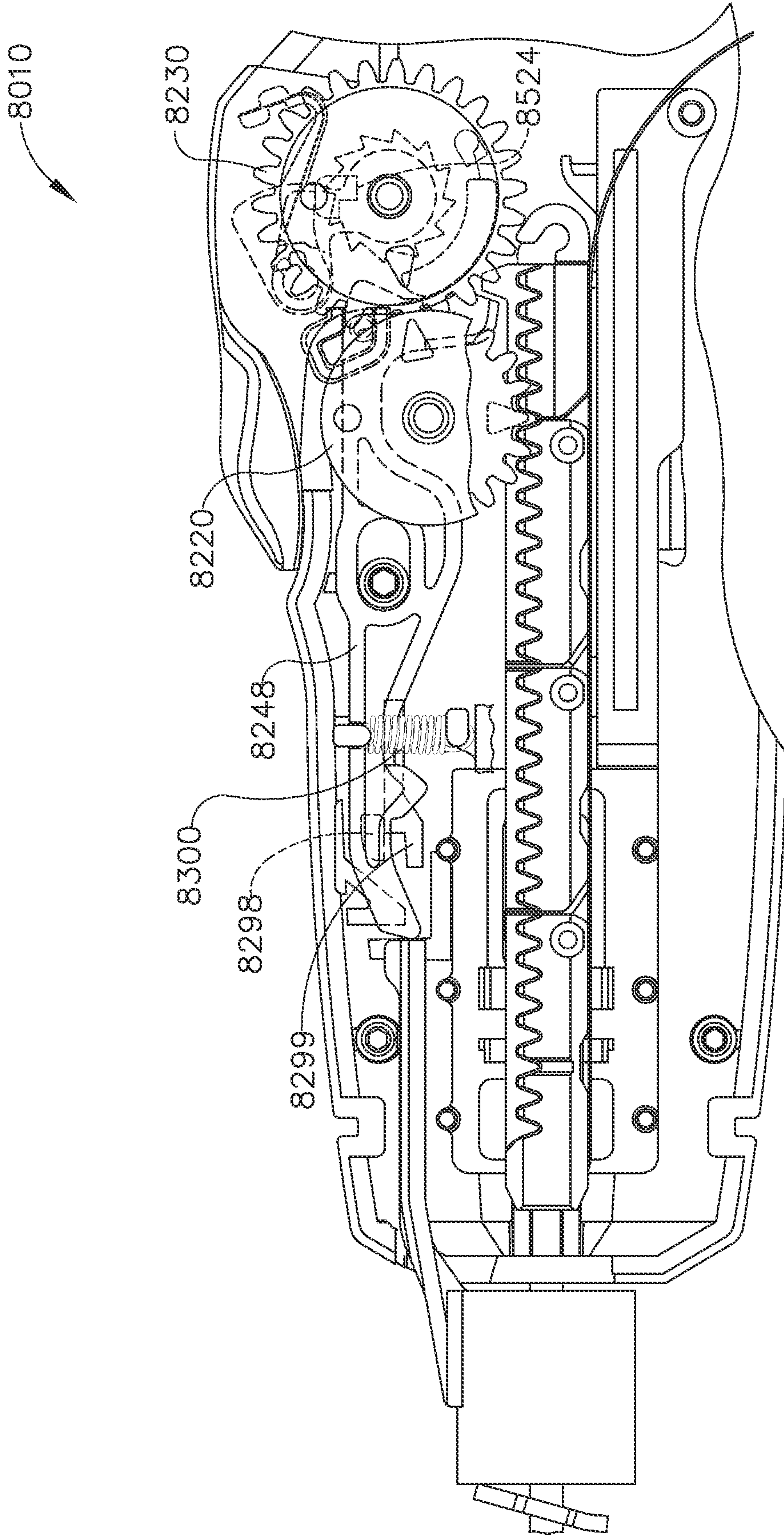


FIG. 10

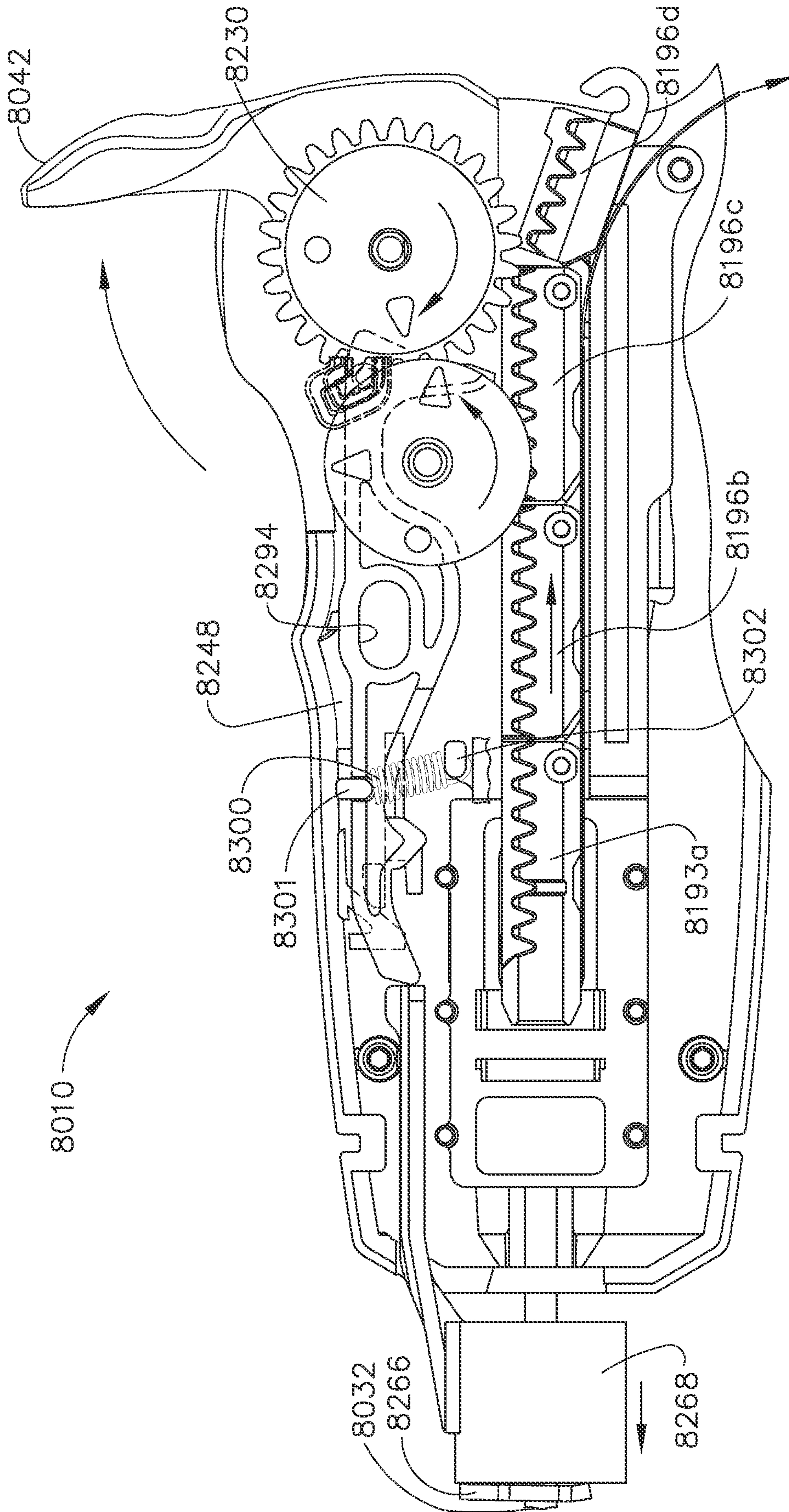


FIG. 11

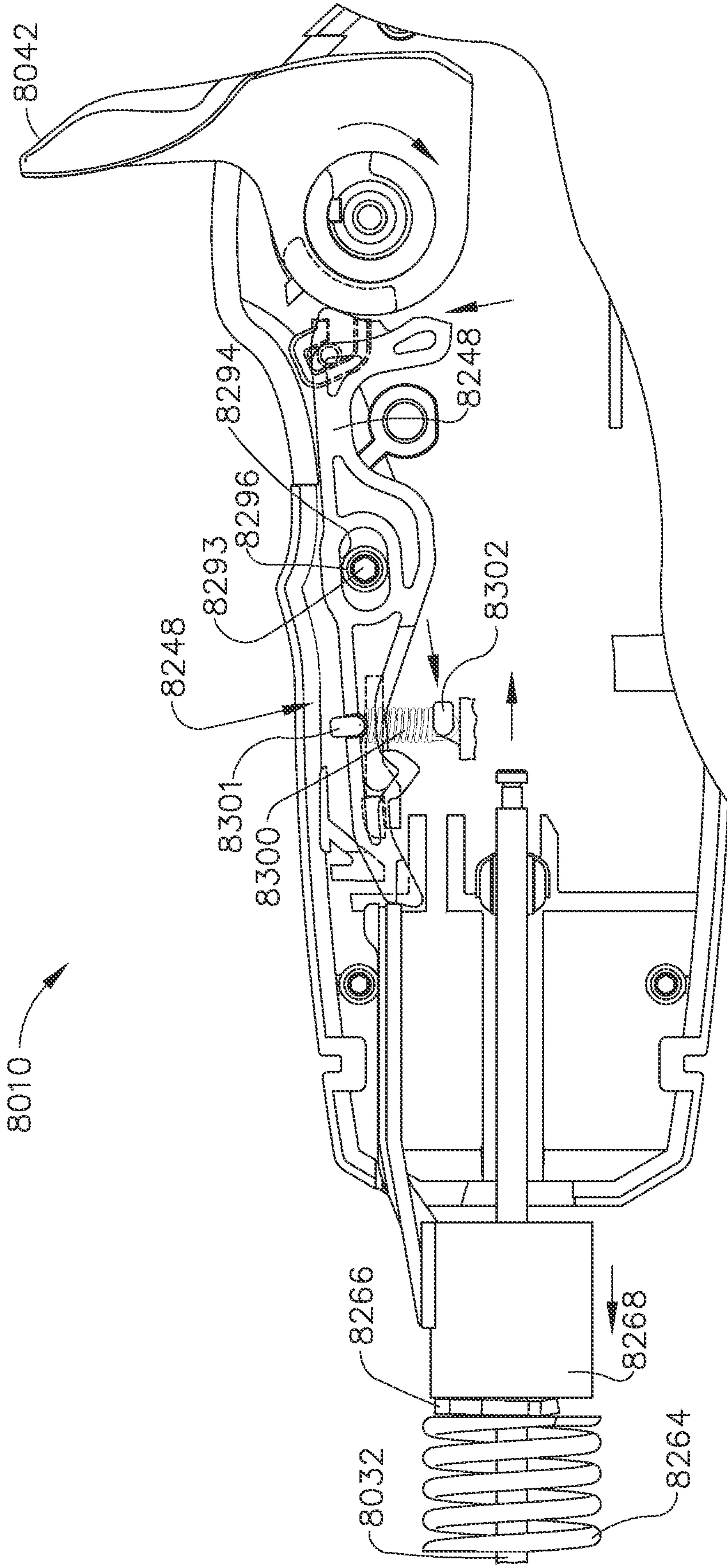


FIG. 12

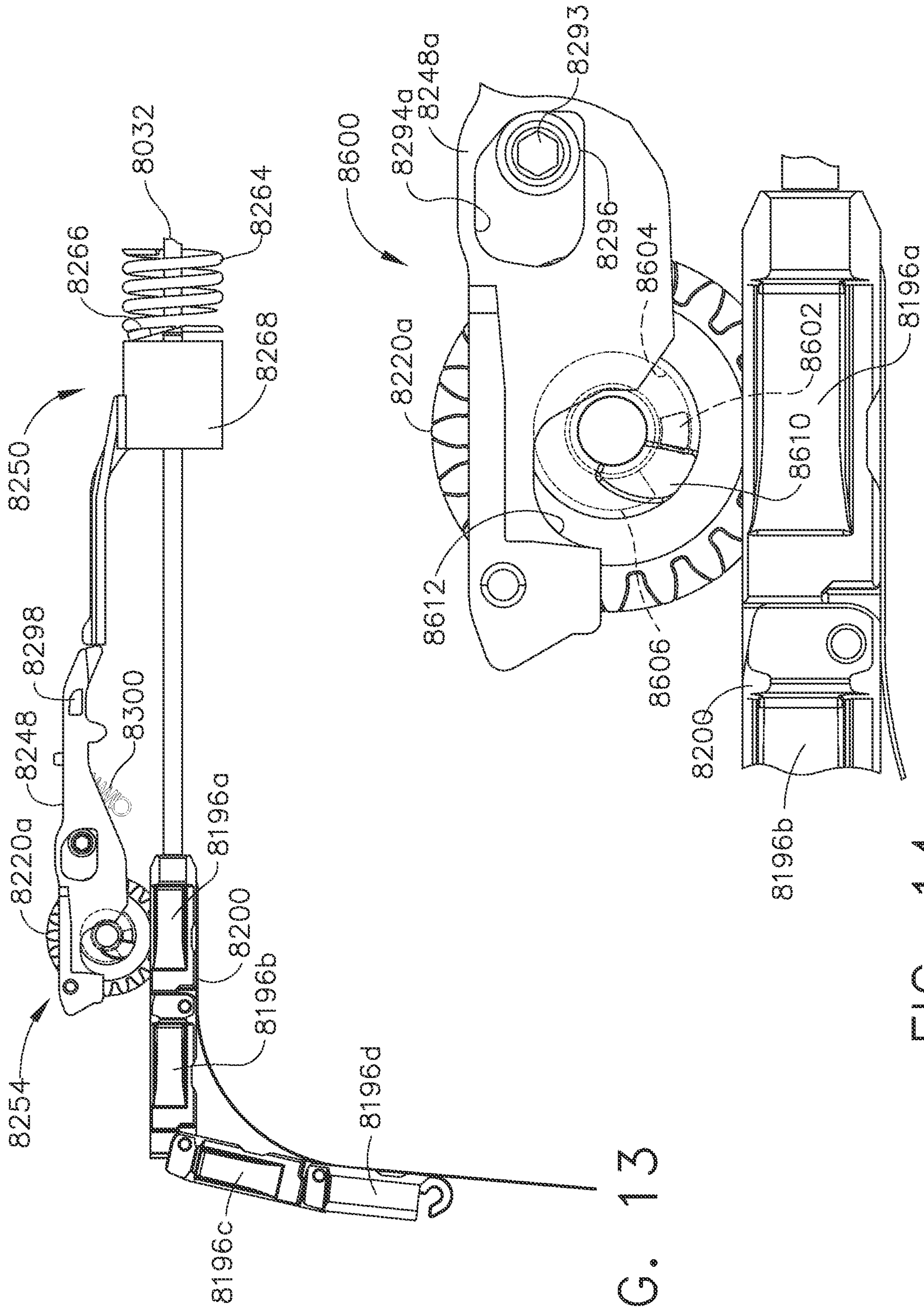


FIG. 13

FIG. 14

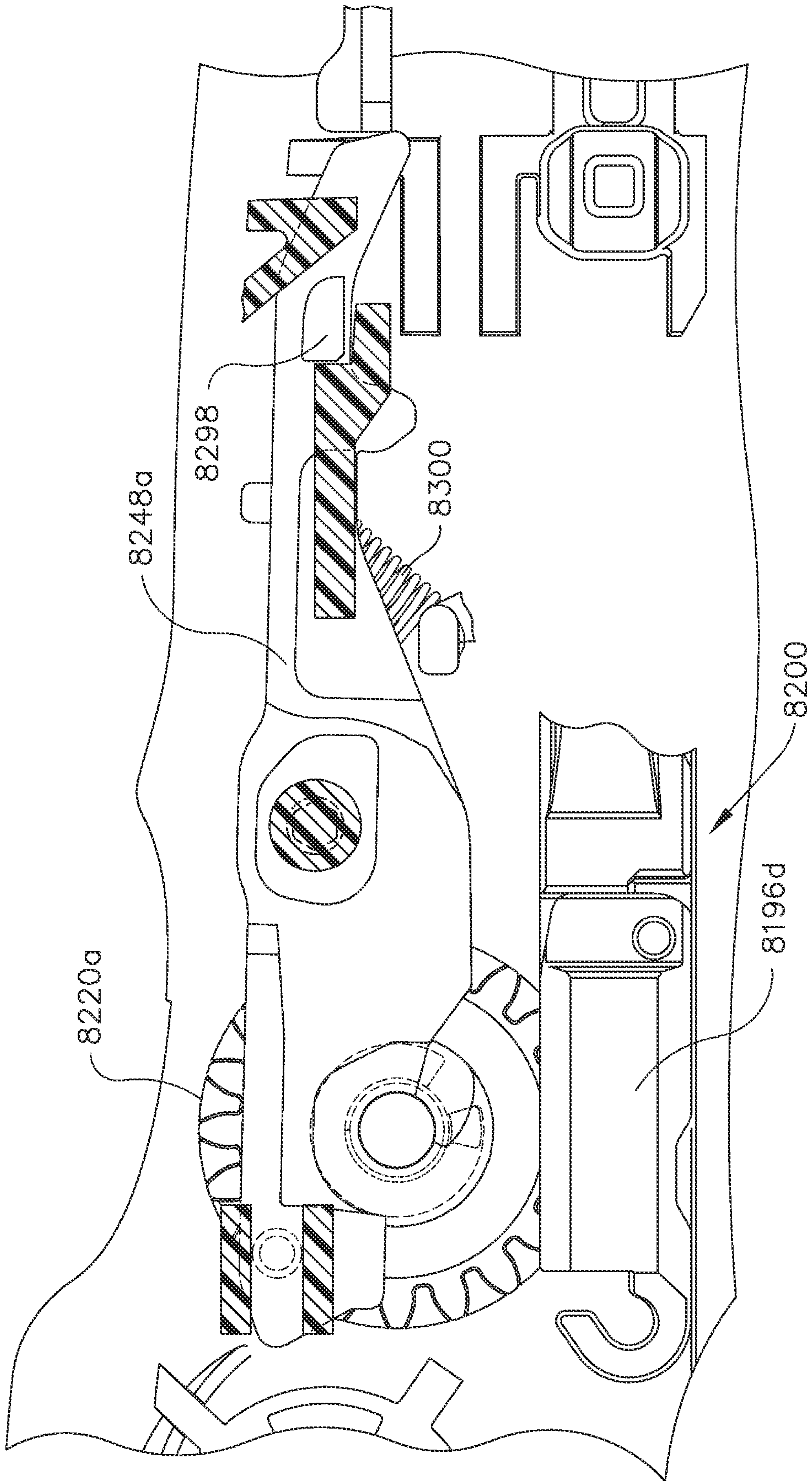


FIG. 15

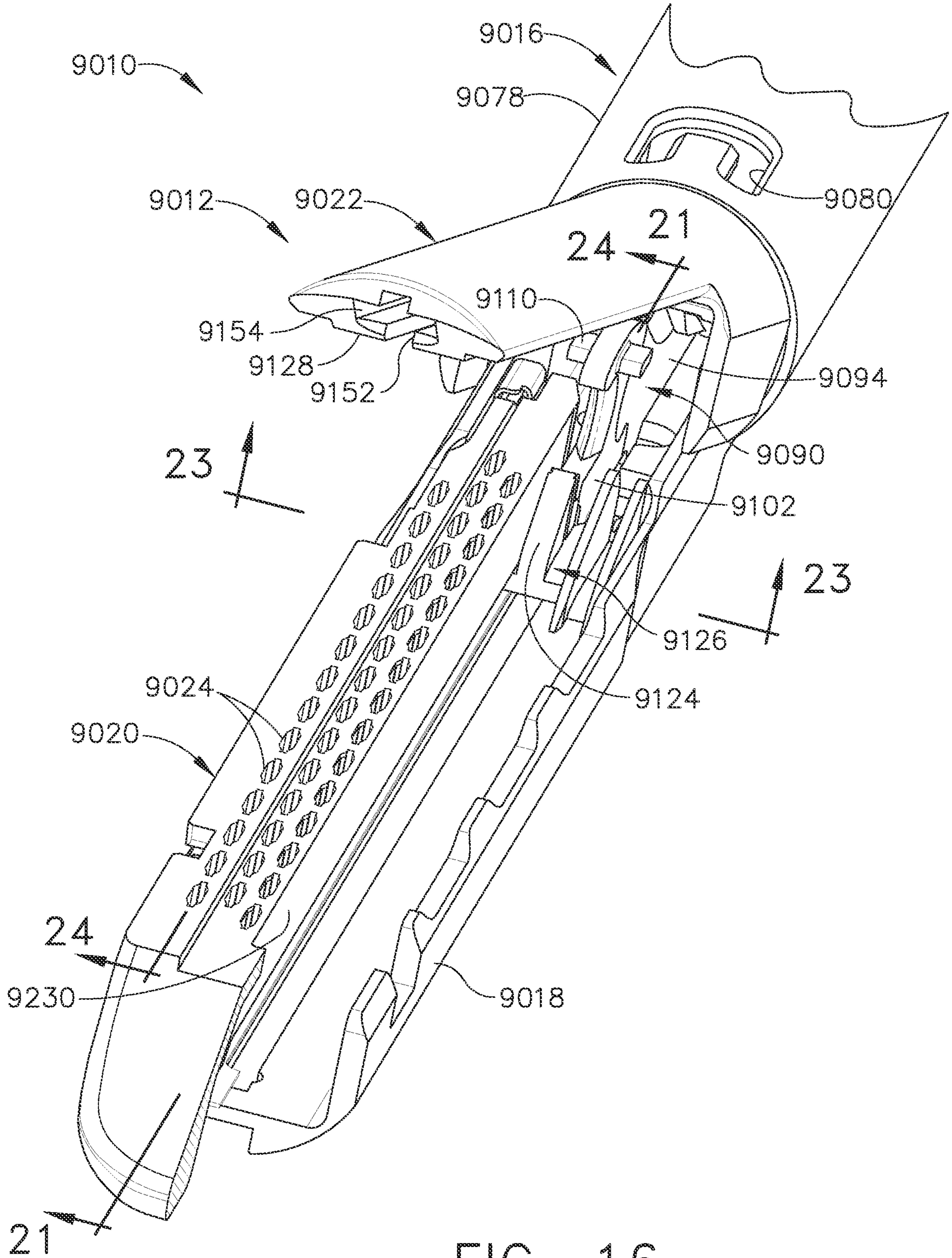
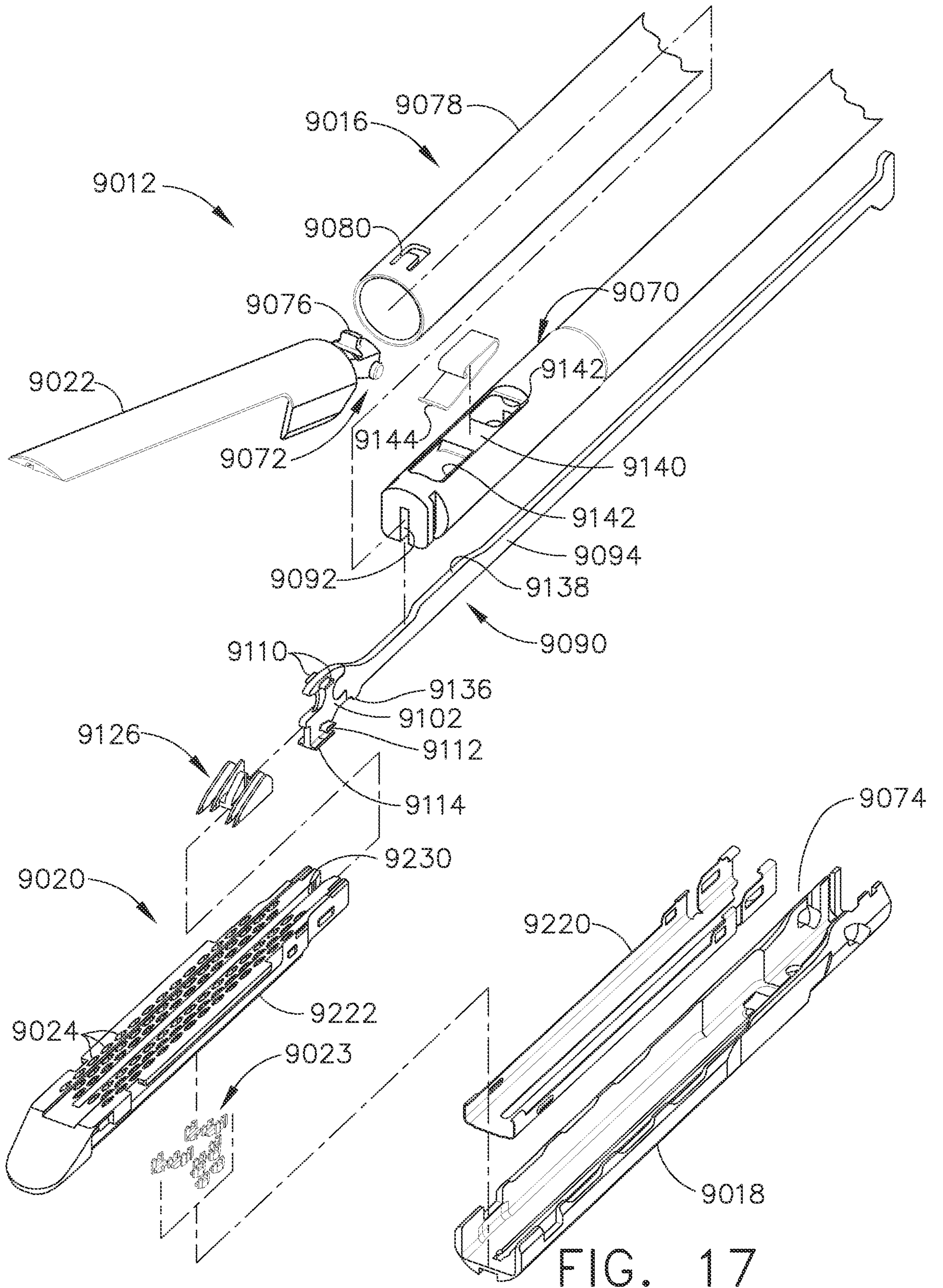
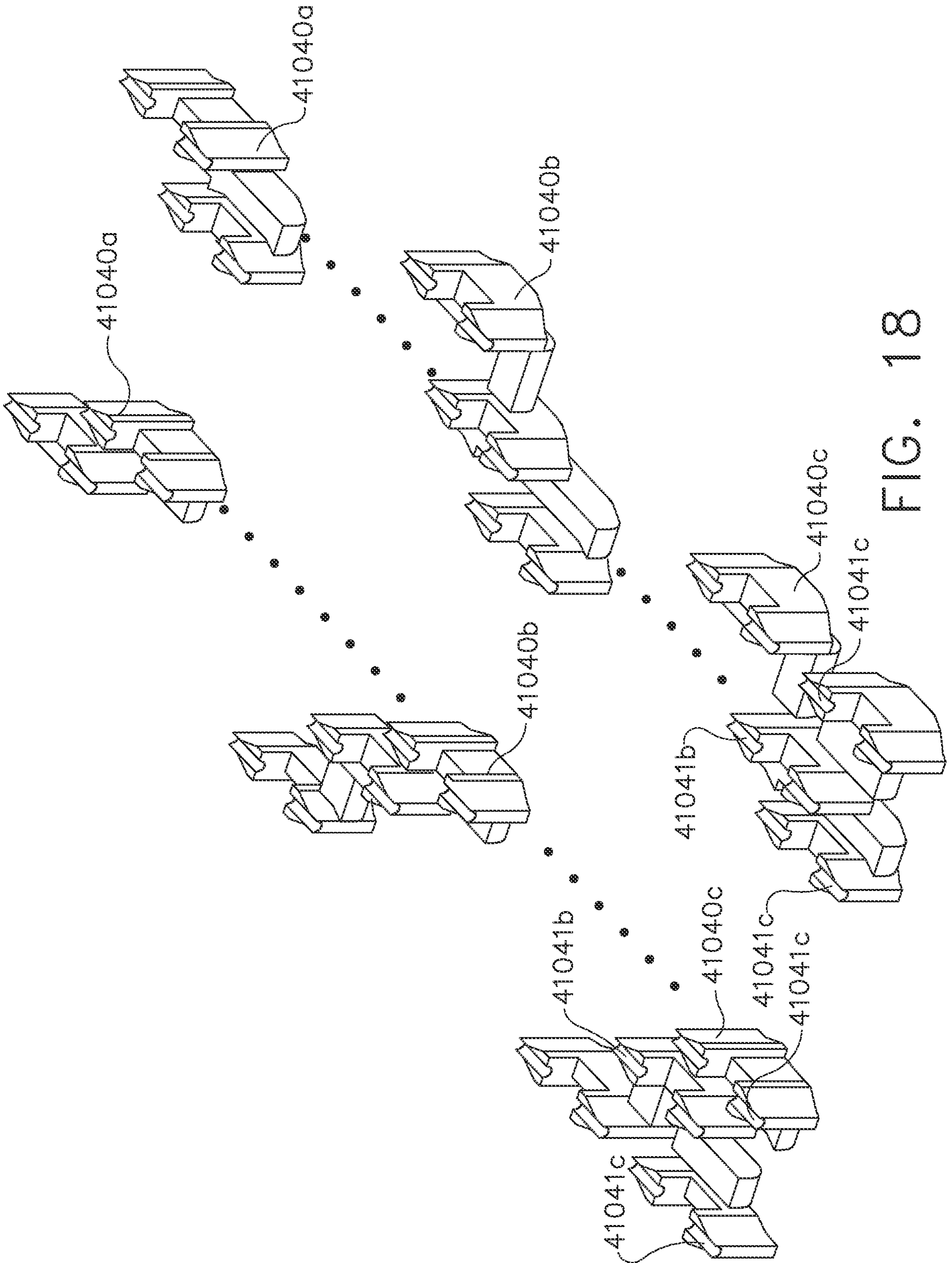


FIG. 16







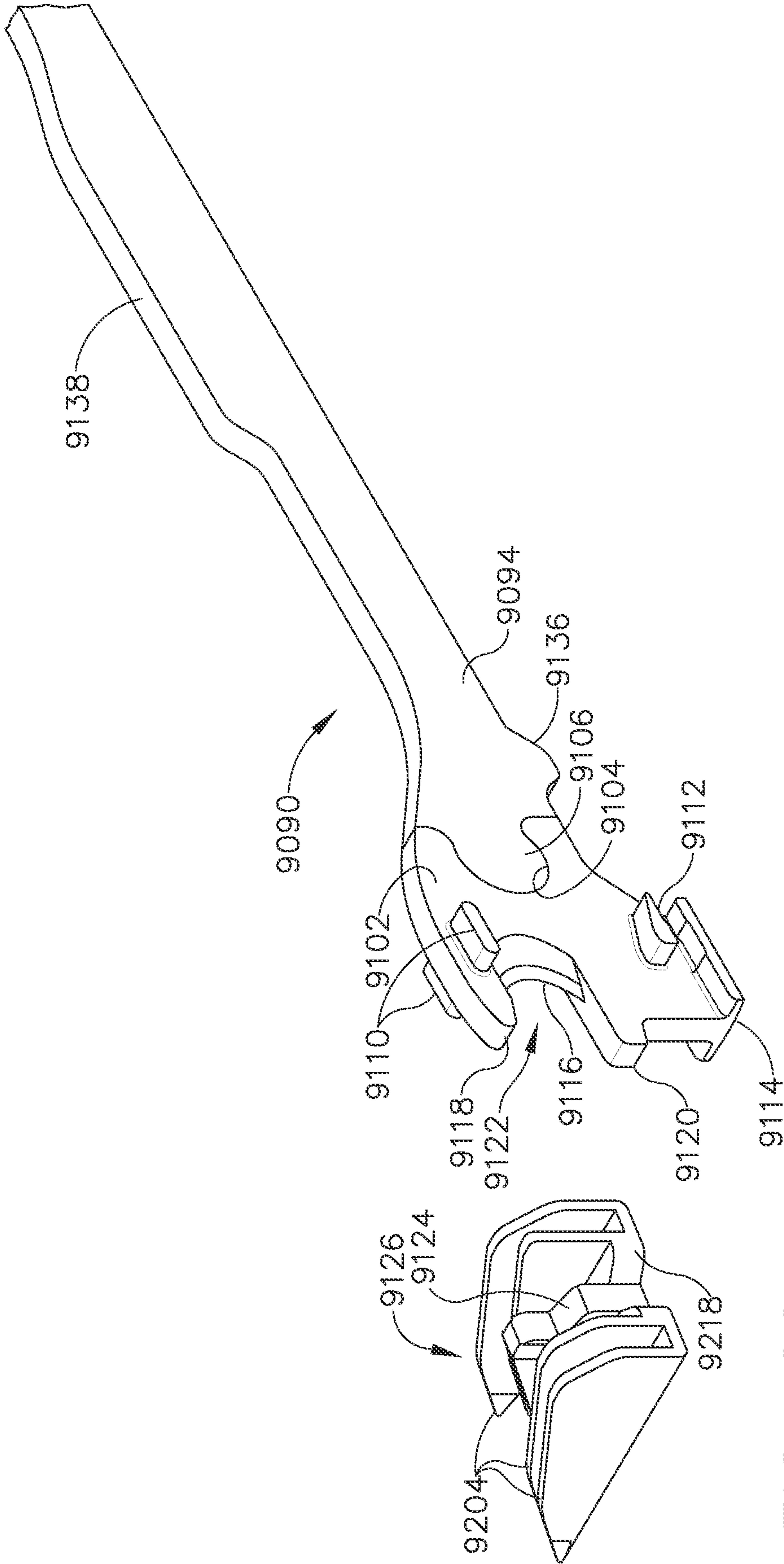


FIG. 19

FIG. 20

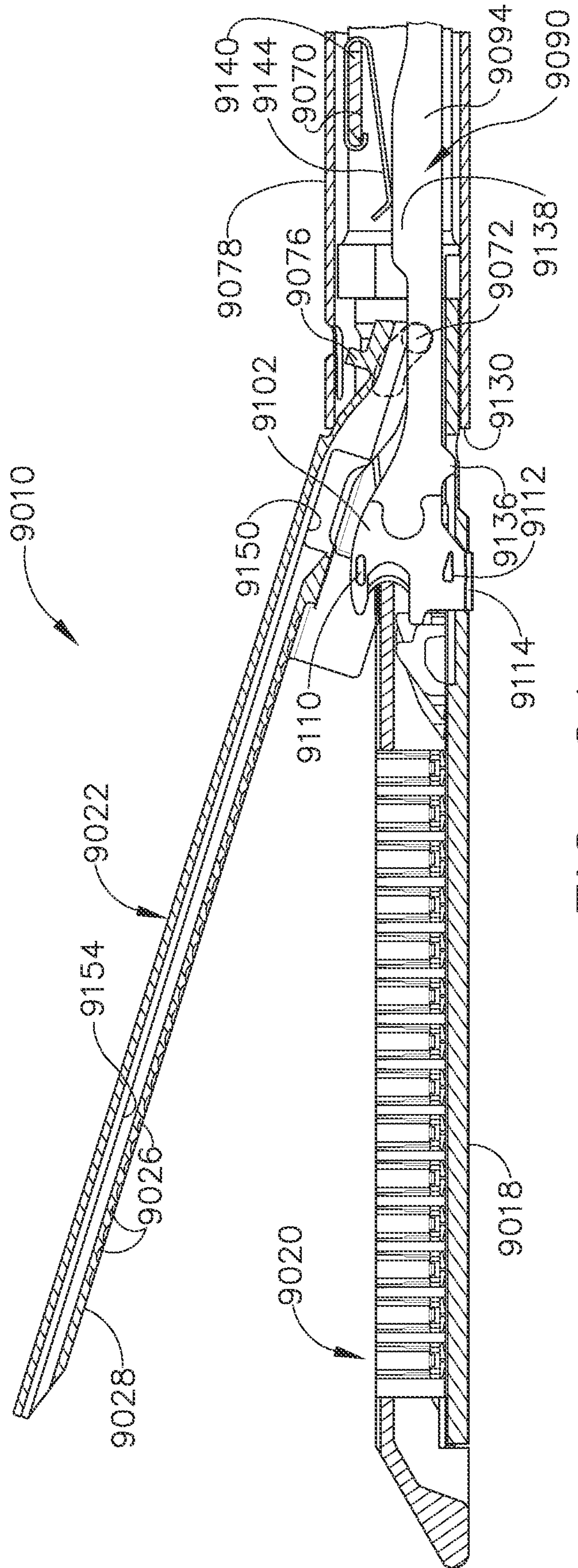


FIG. 21

20/177

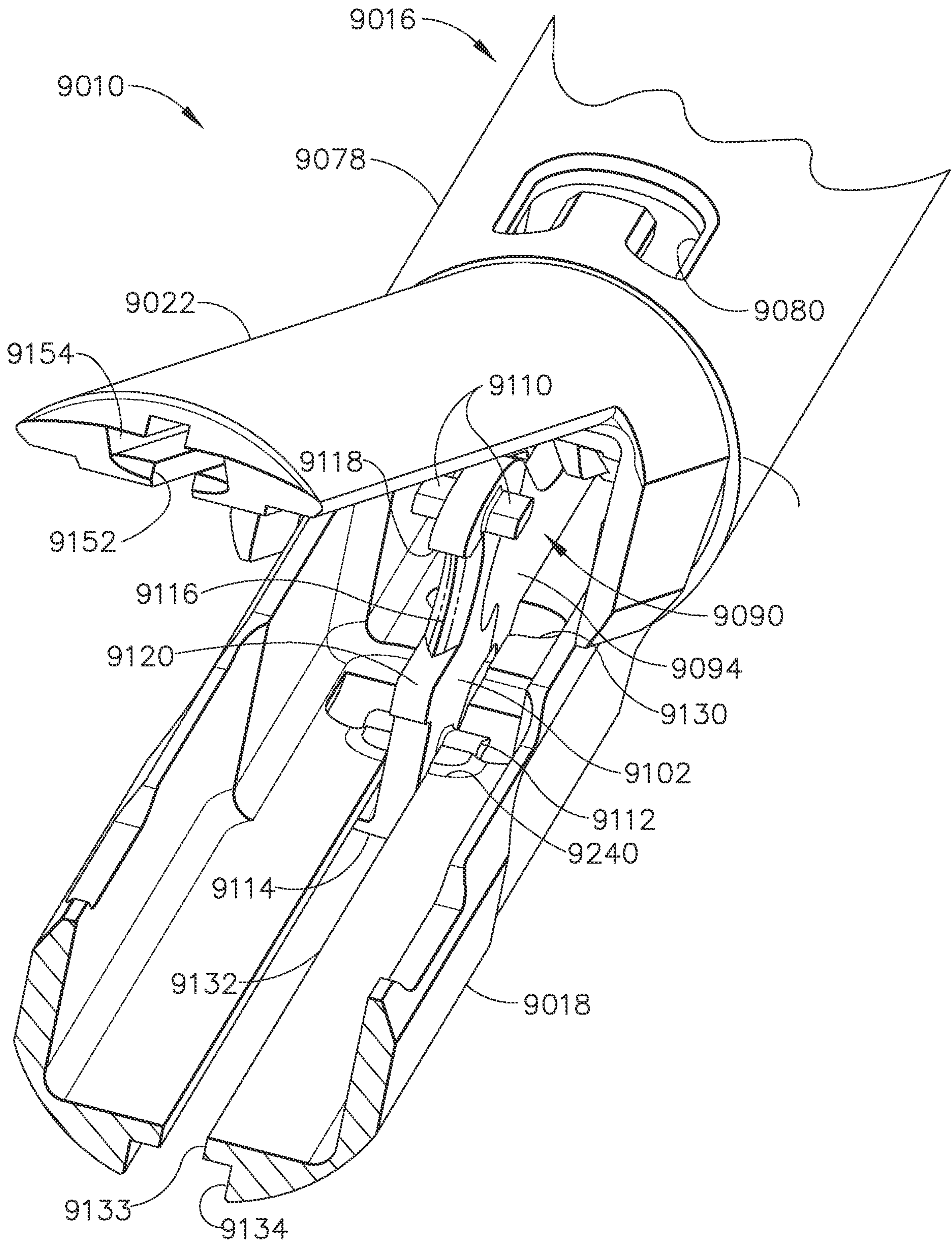


FIG. 22

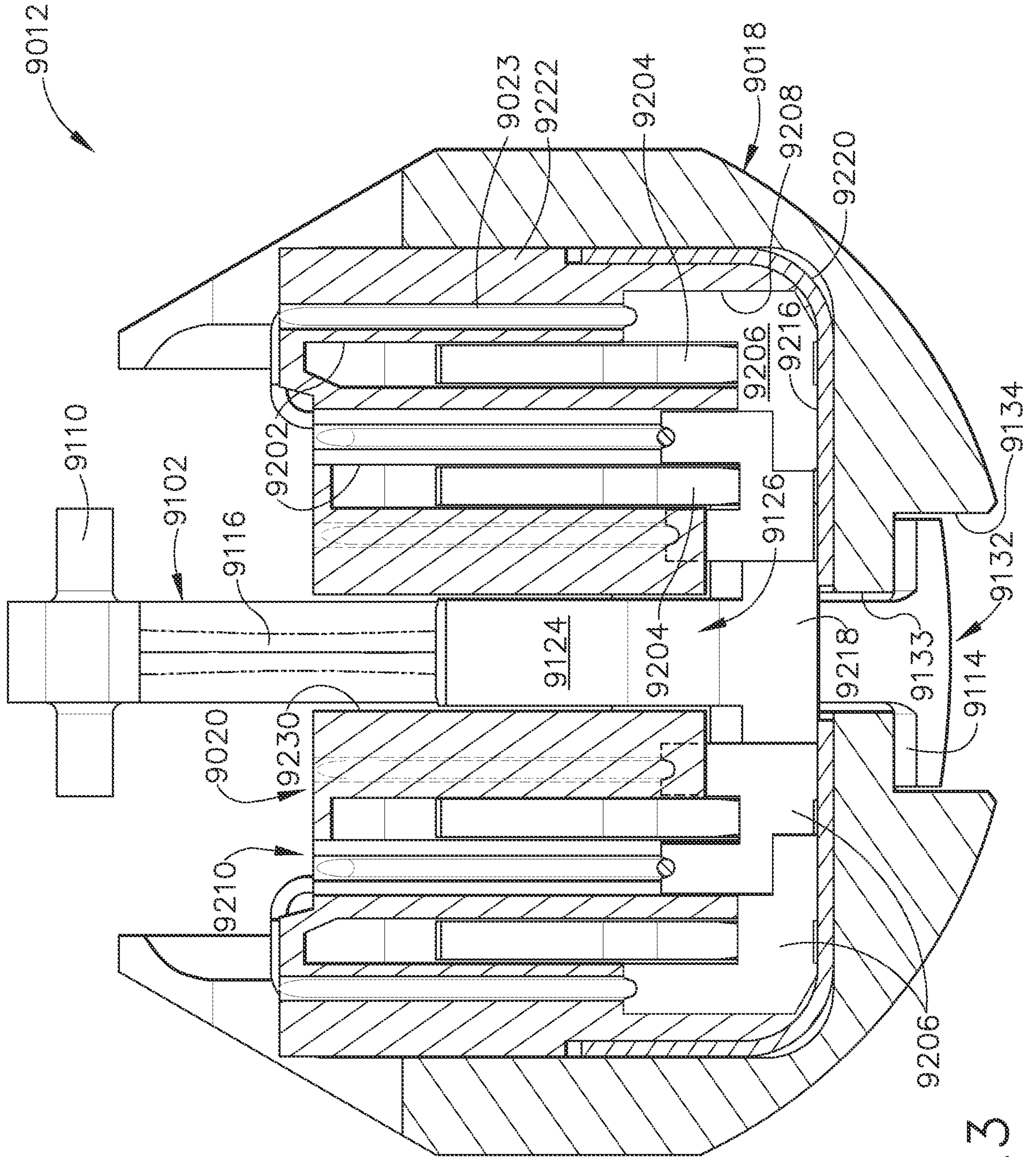


FIG. 23

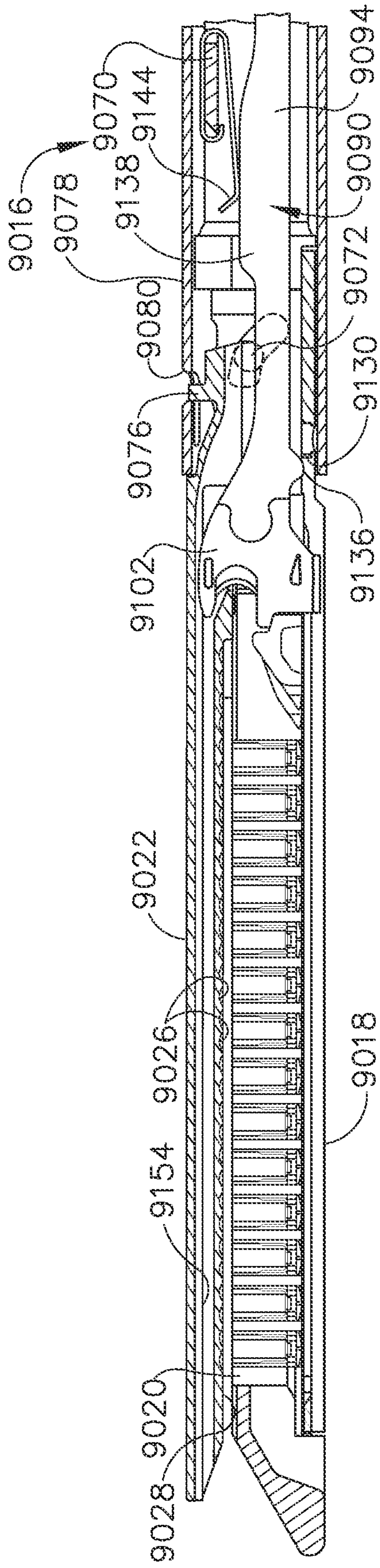


FIG. 24

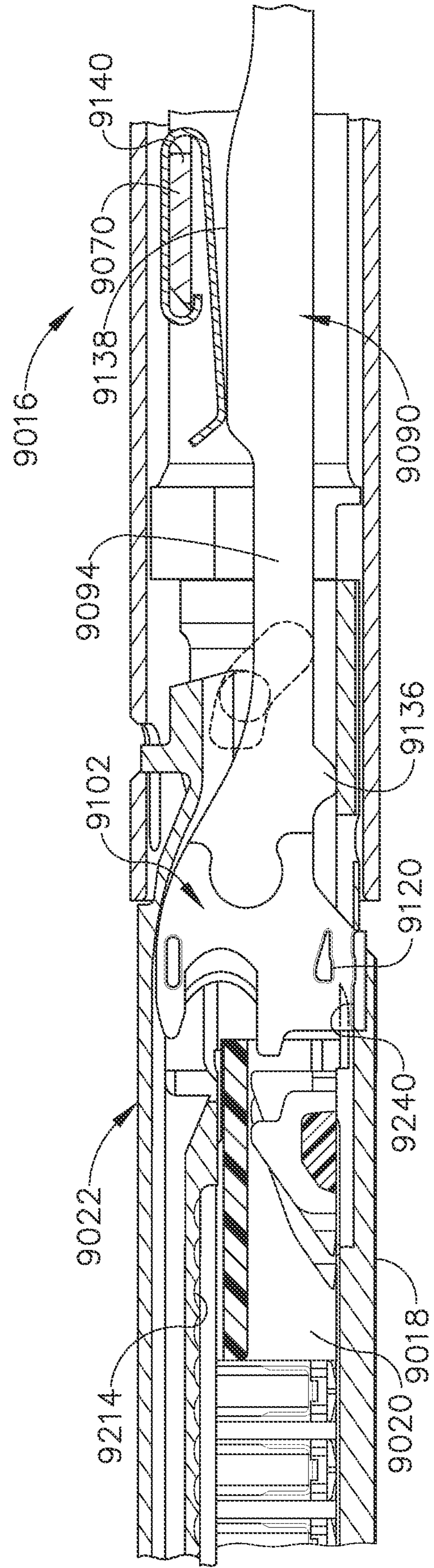


FIG. 25

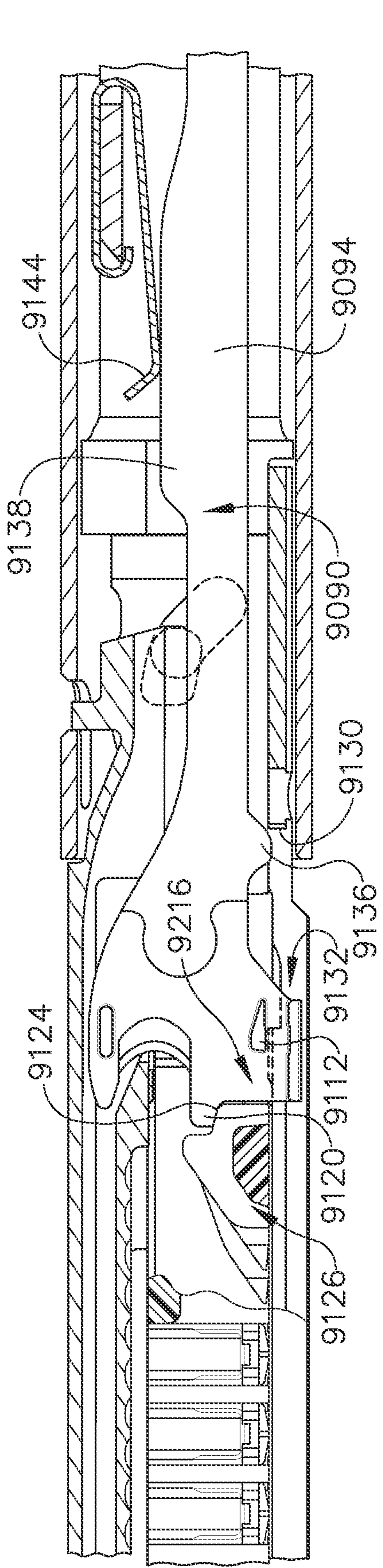


FIG. 26

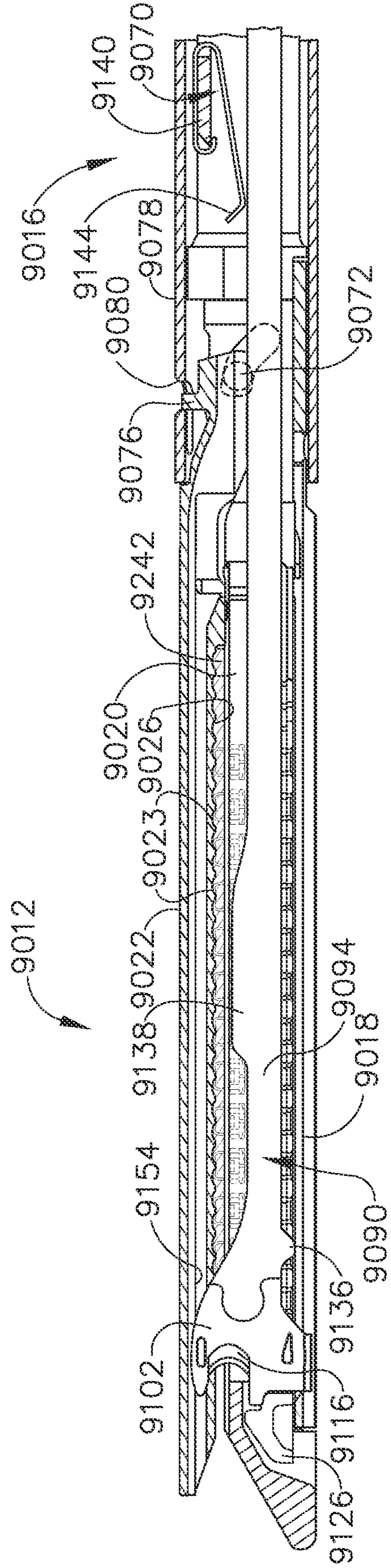


FIG. 27



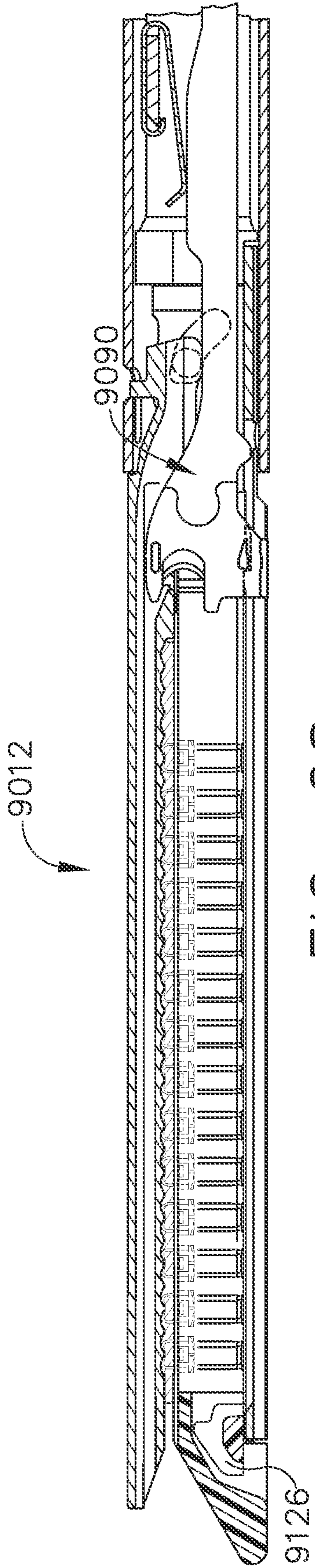


FIG. 28

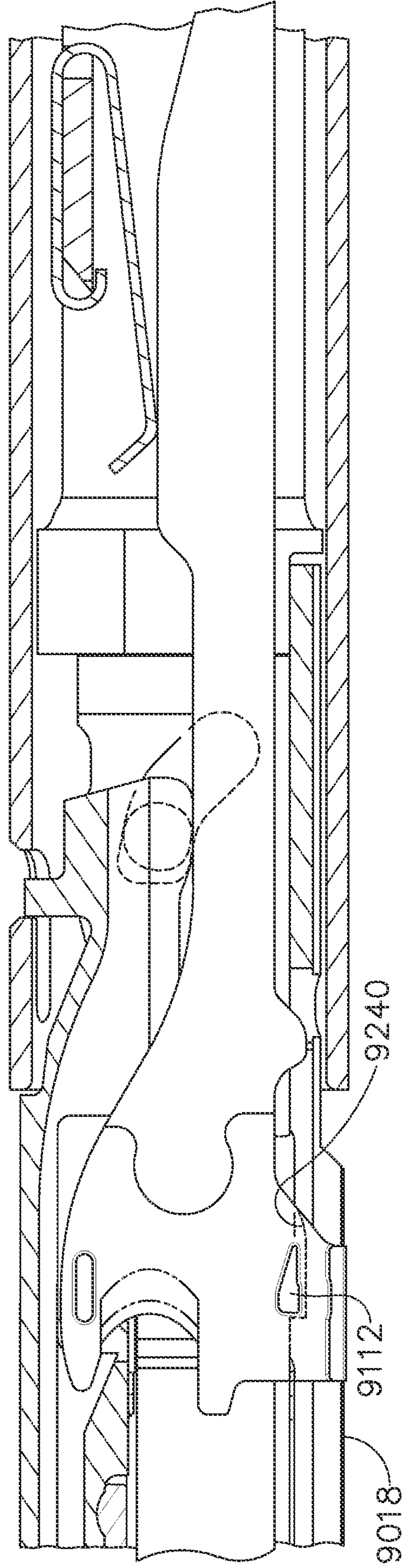


FIG. 29

25/177

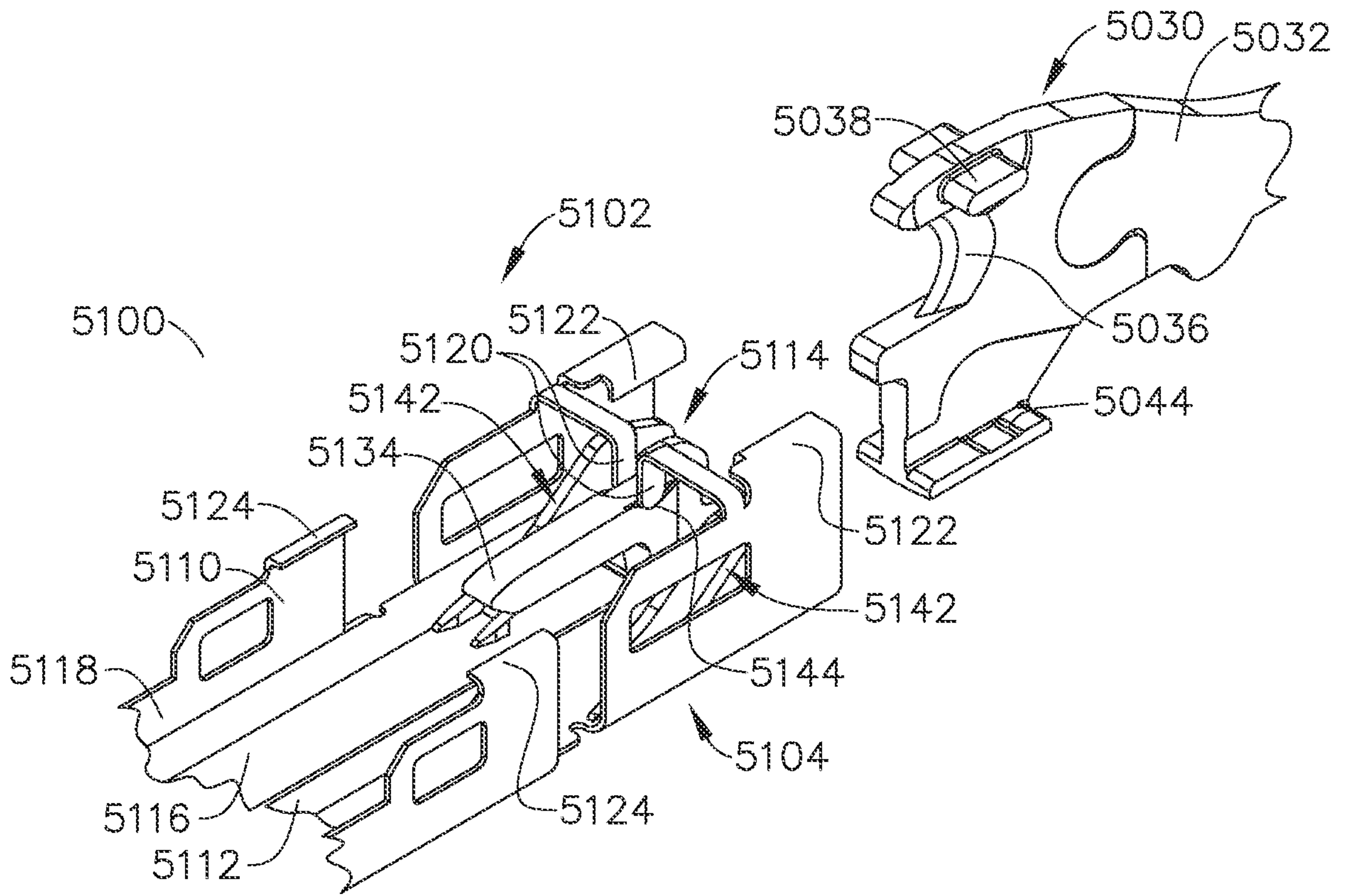


FIG. 29A

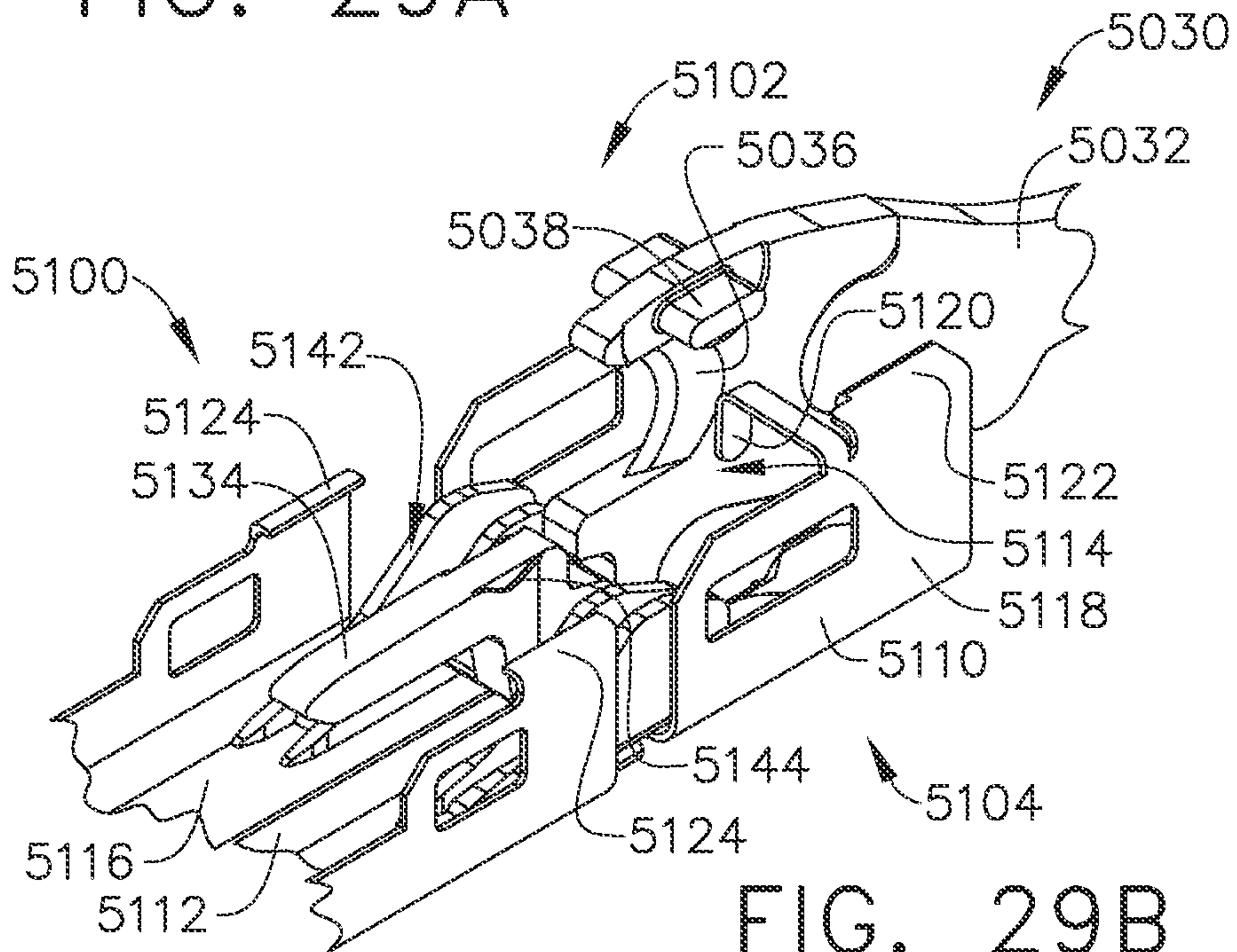


FIG. 29B

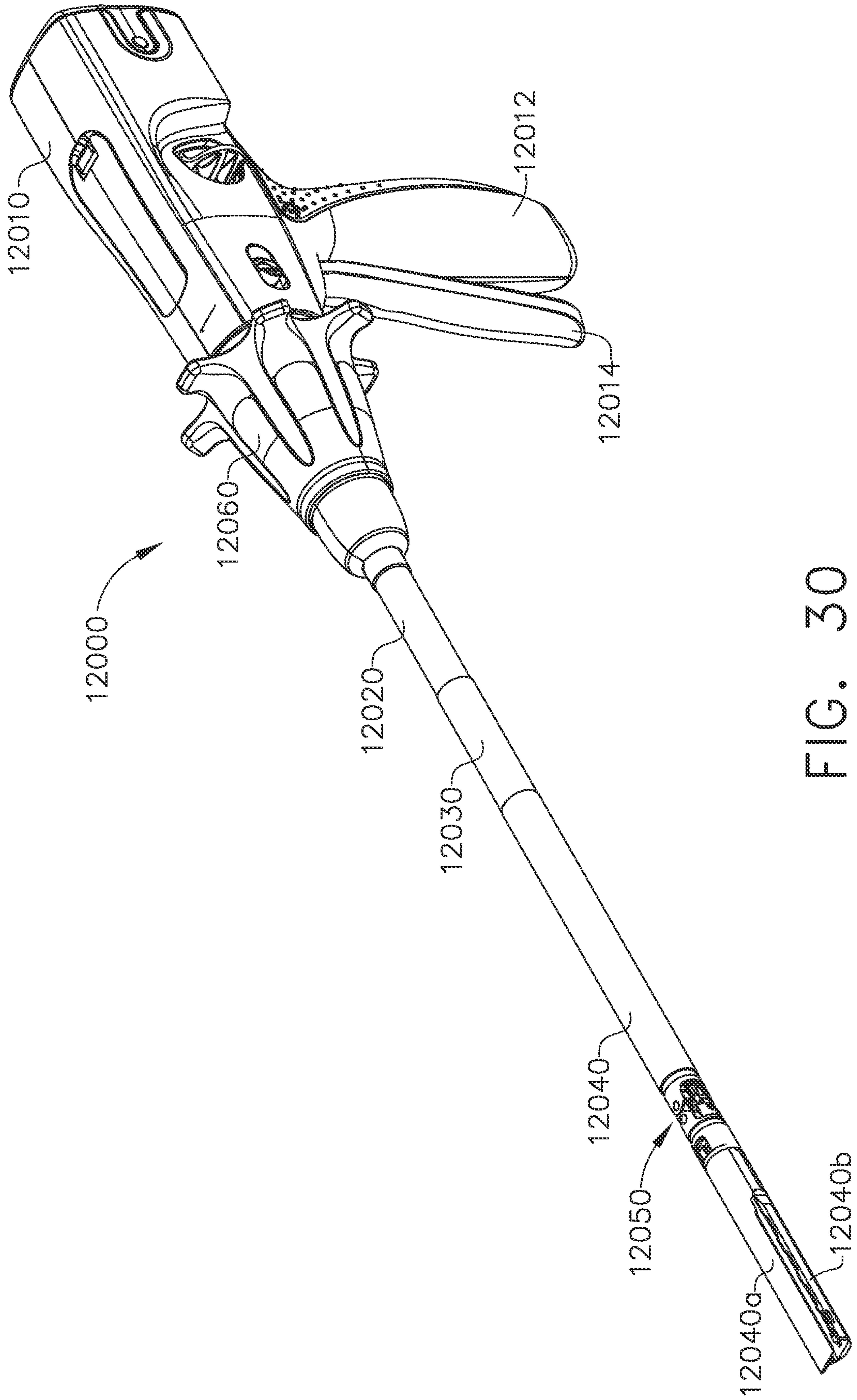


FIG. 30

27/177

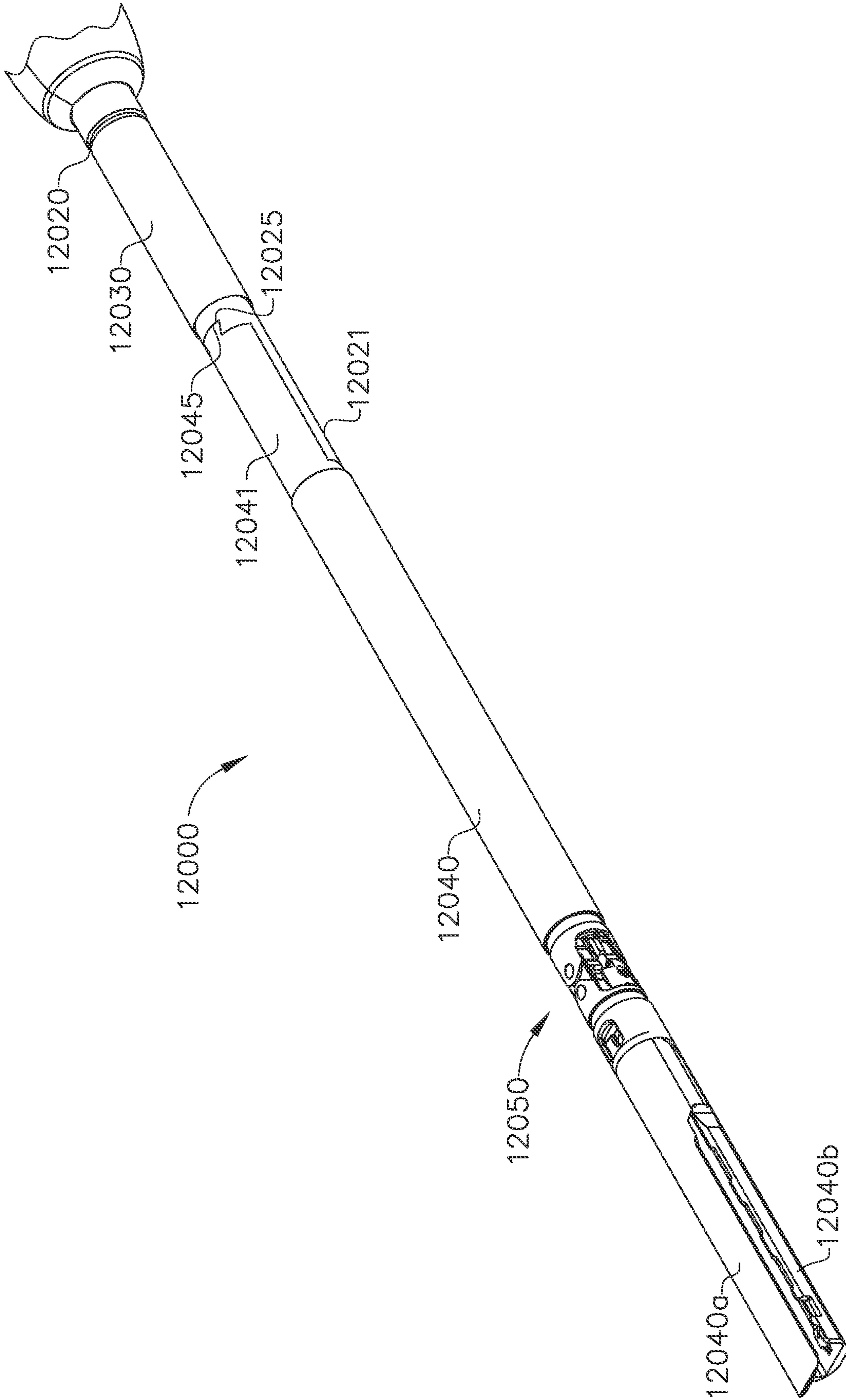


FIG. 31

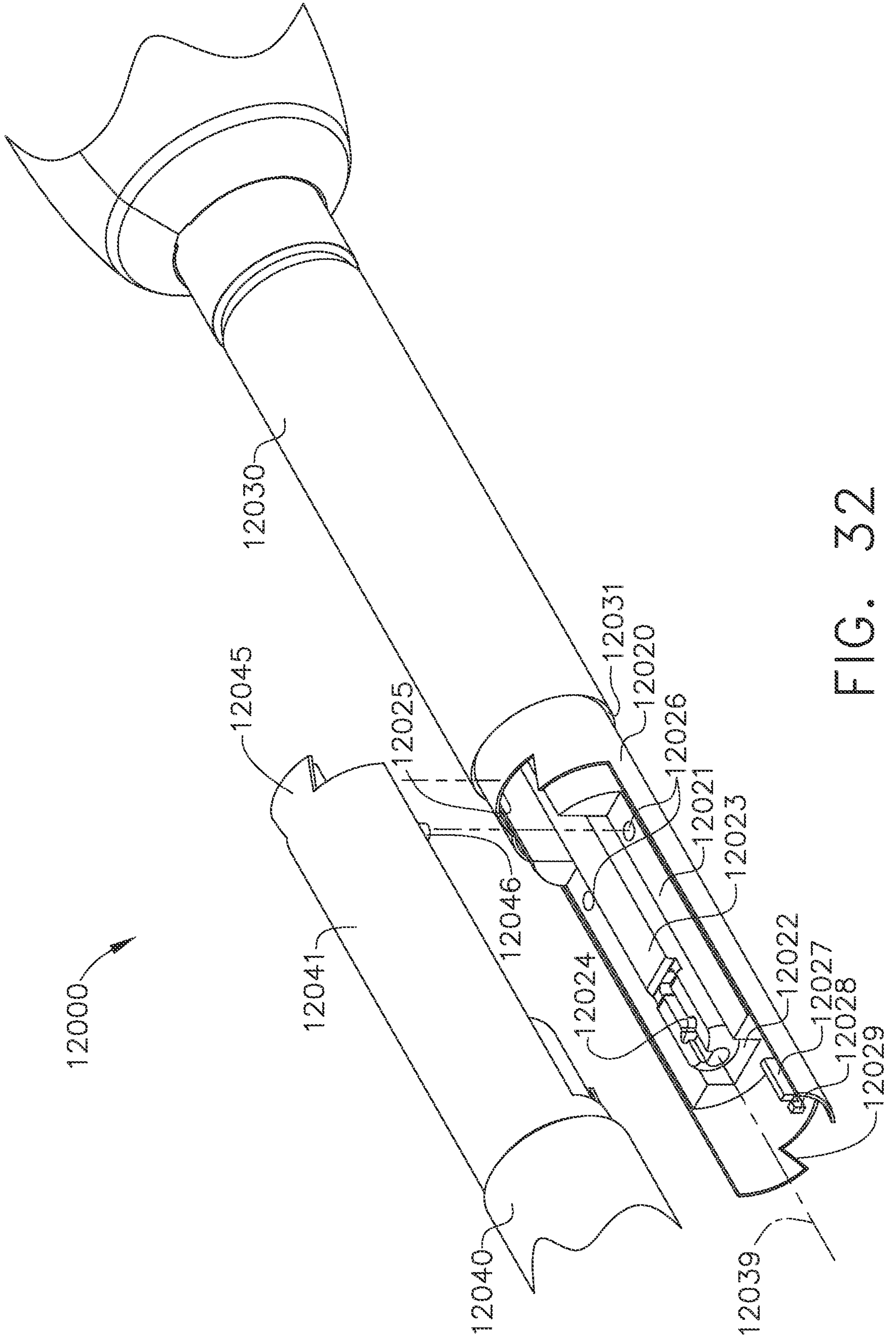


FIG. 32

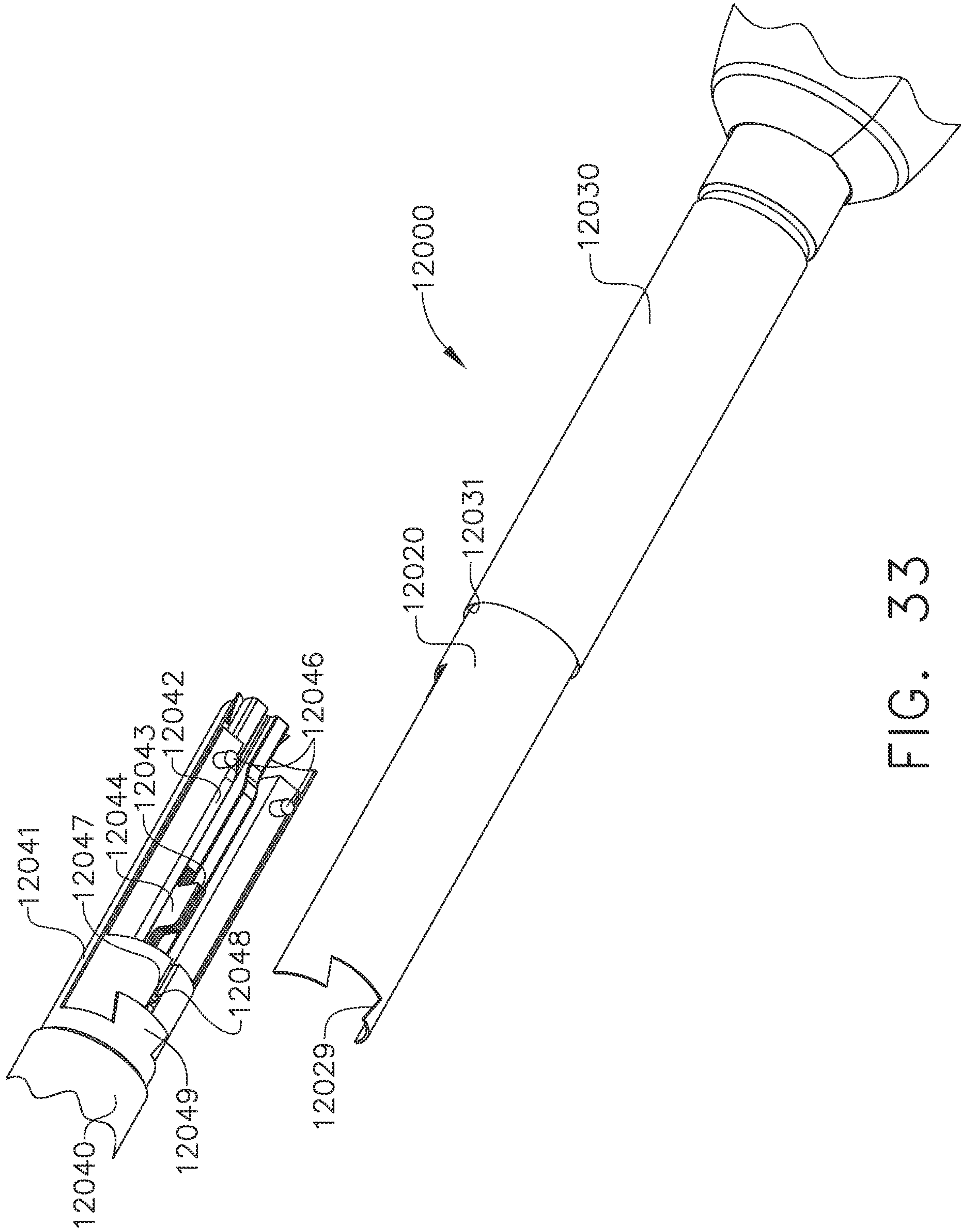


FIG. 33

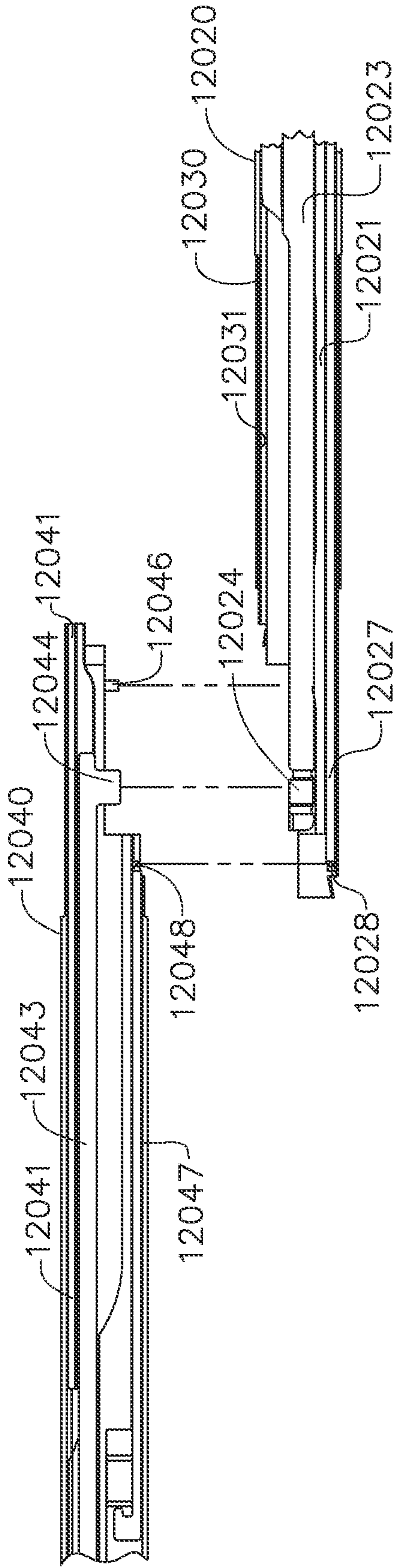


FIG. 34

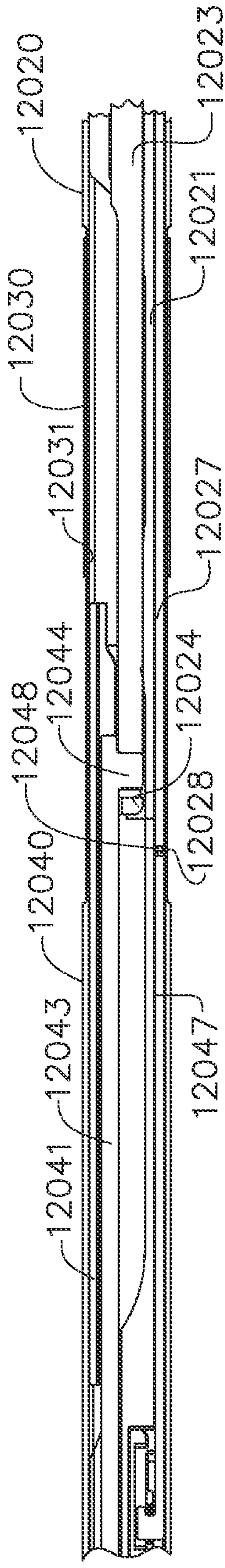


FIG. 35

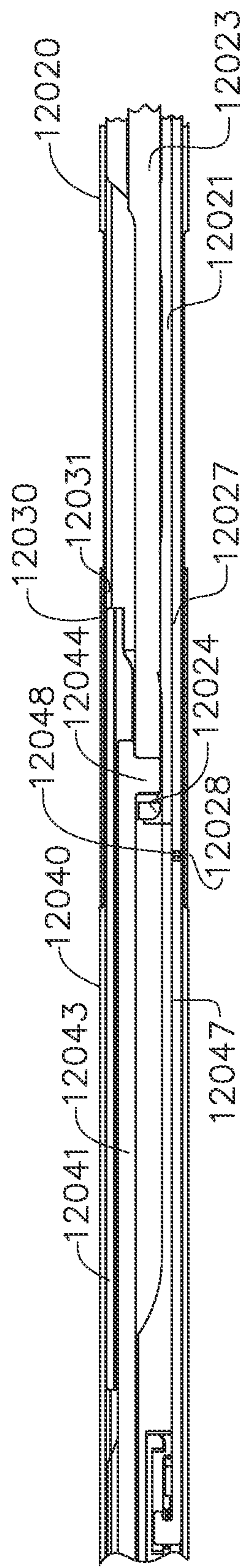


FIG. 36

31/177

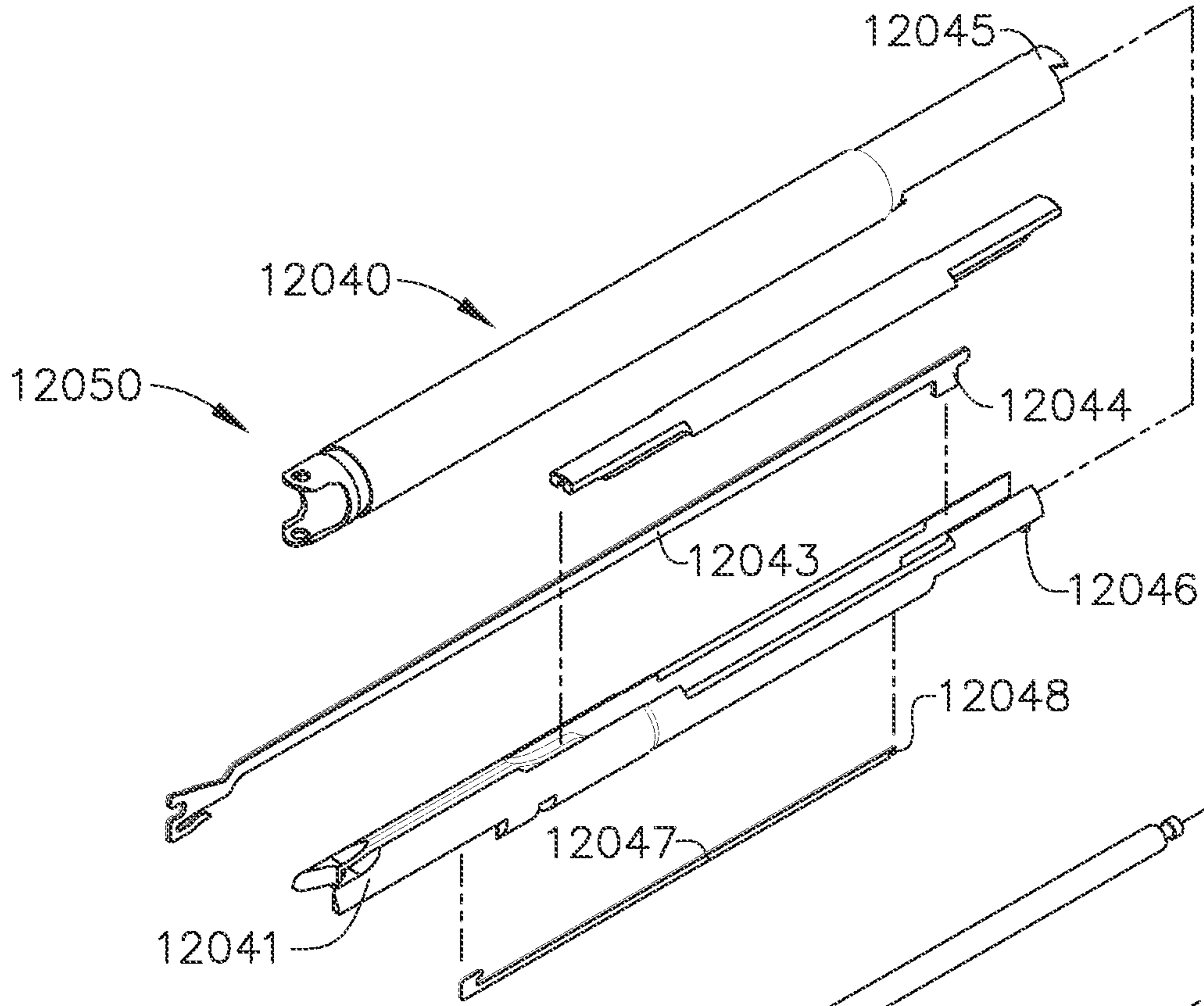


FIG. 37

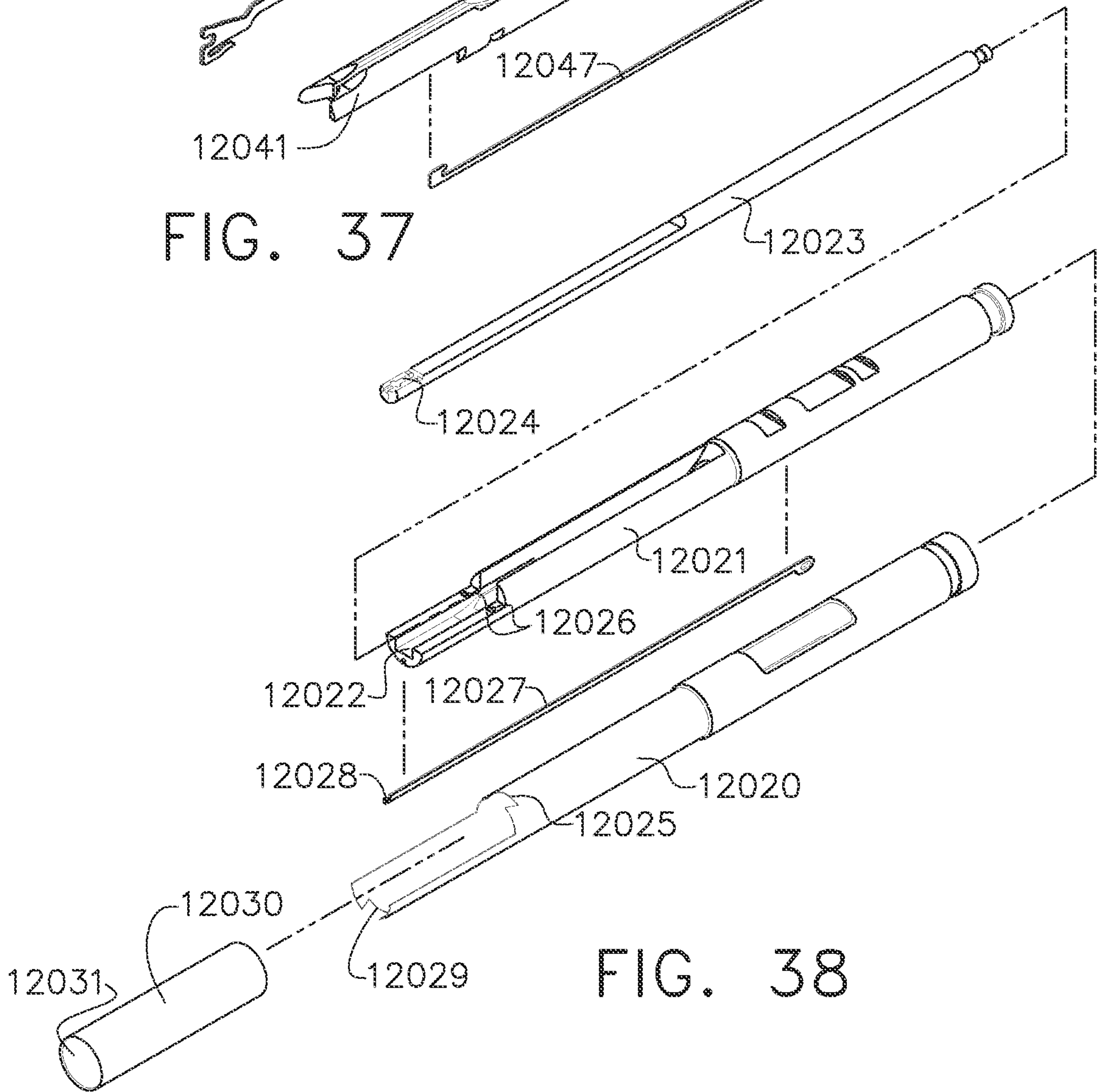


FIG. 38



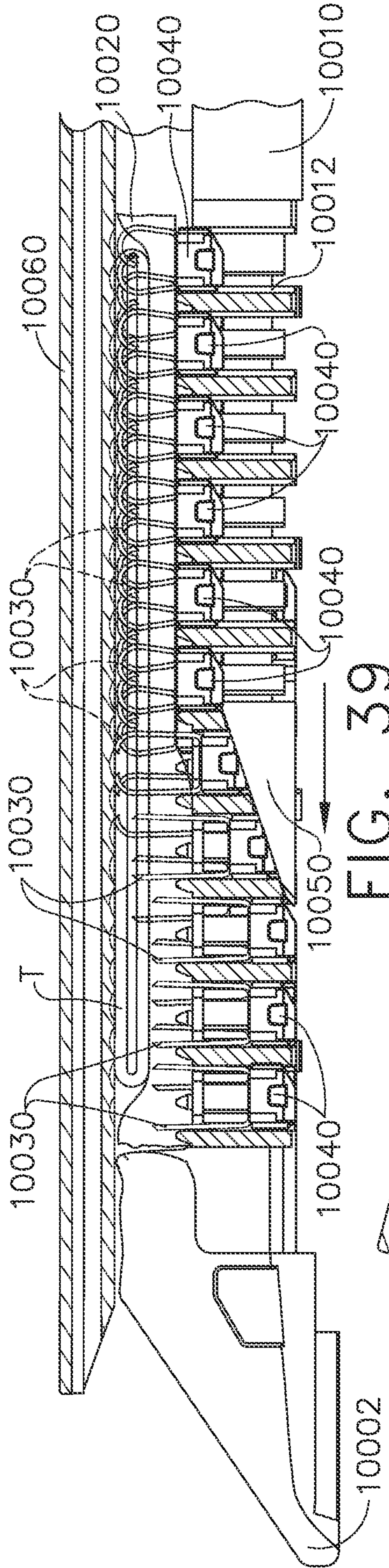


FIG. 39

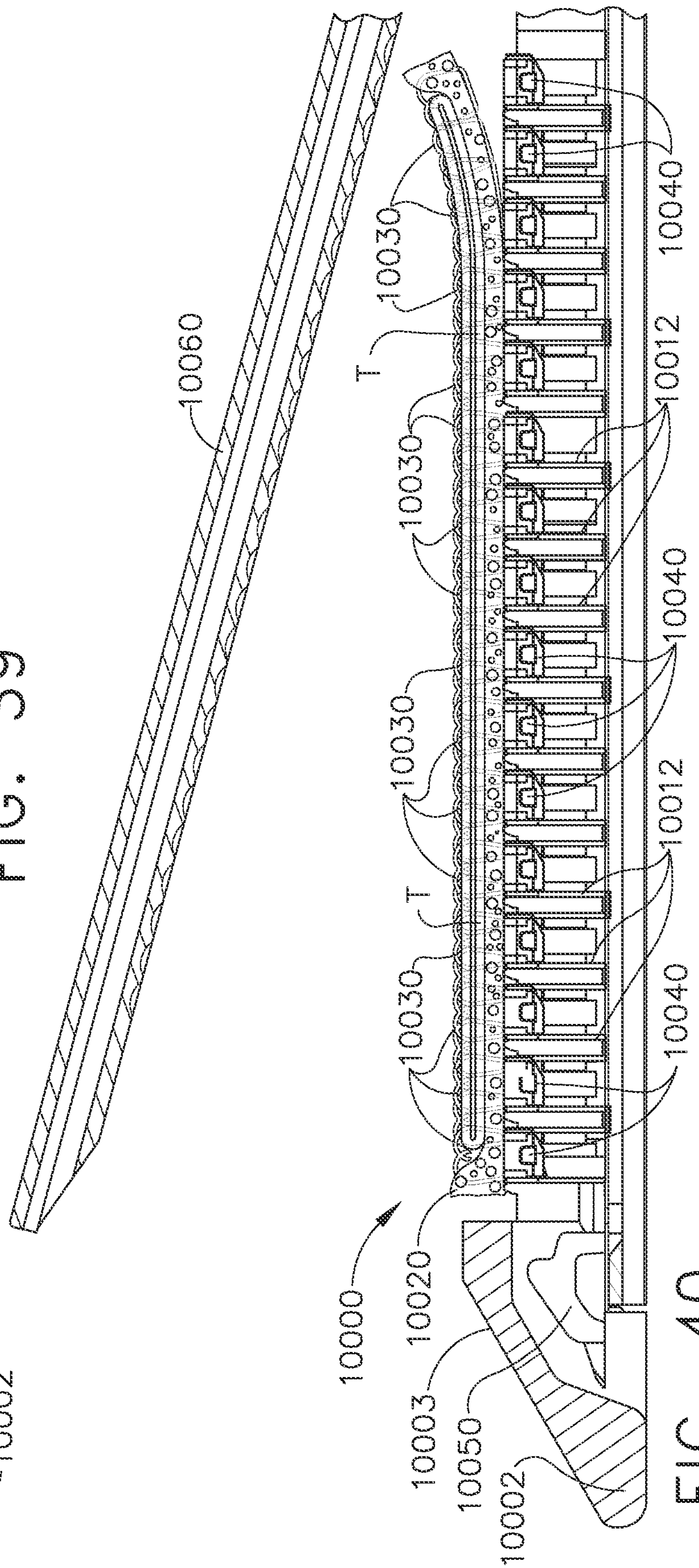


FIG. 40

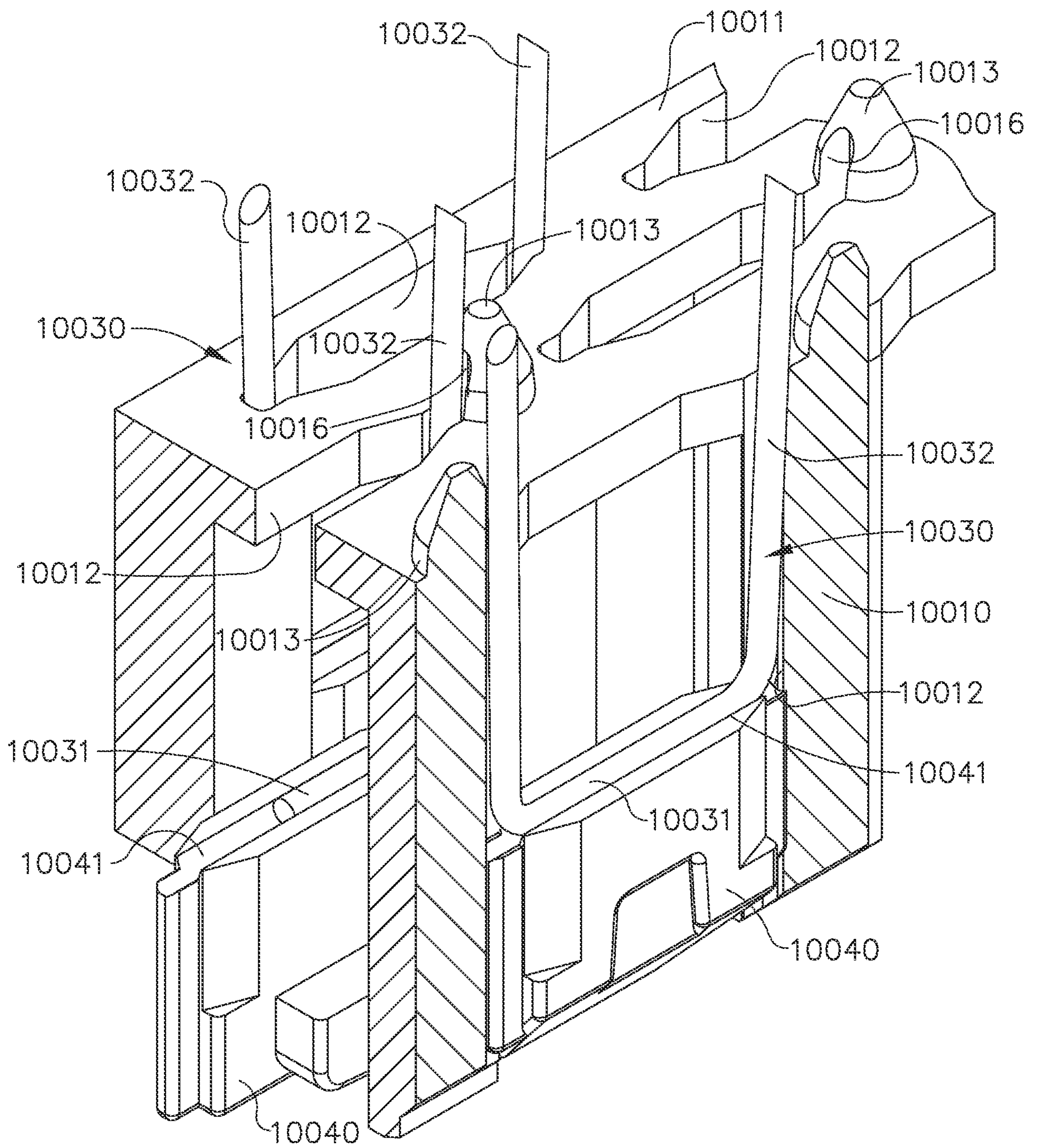


FIG. 41

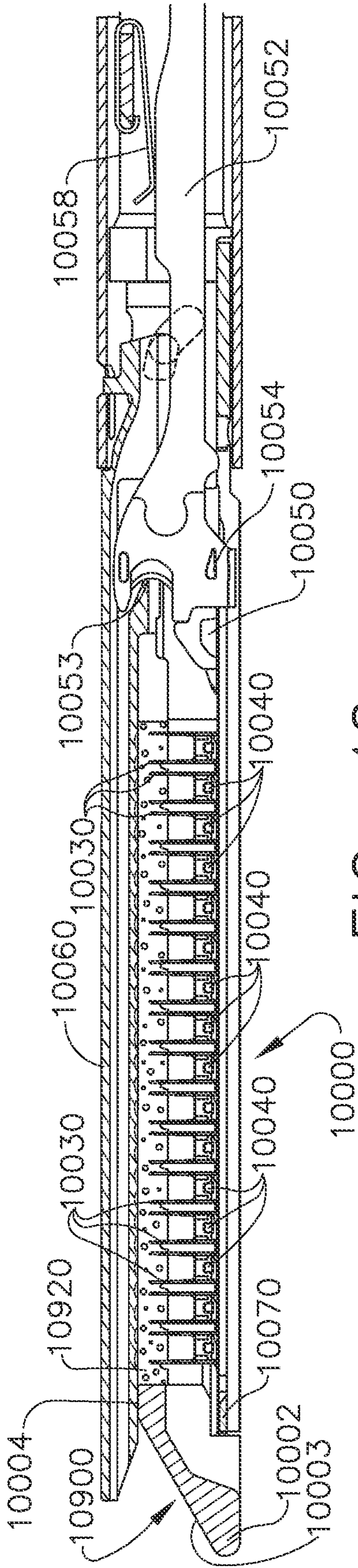


FIG. 42

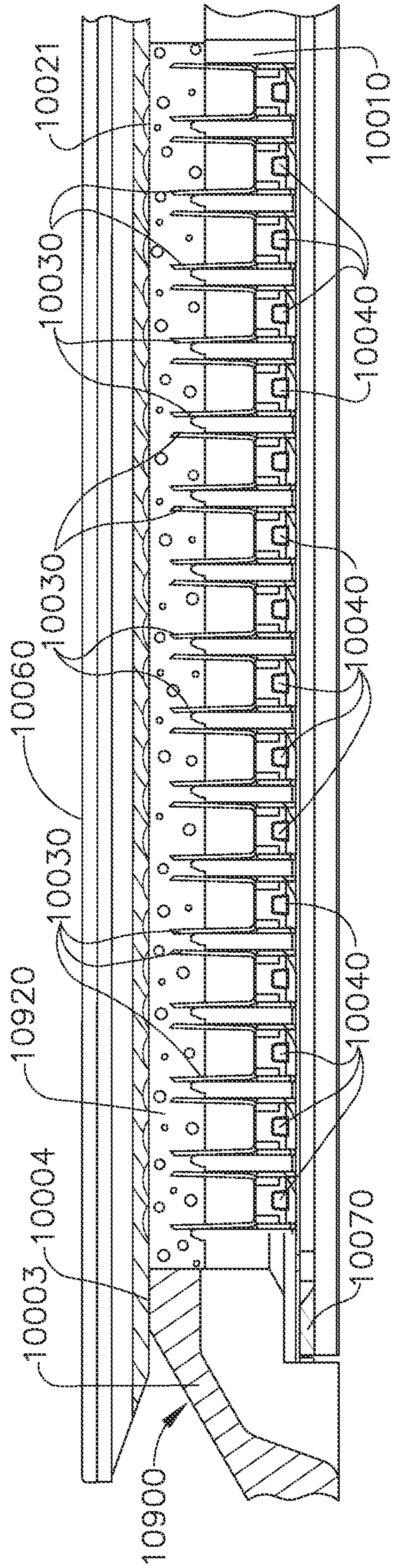


FIG. 43

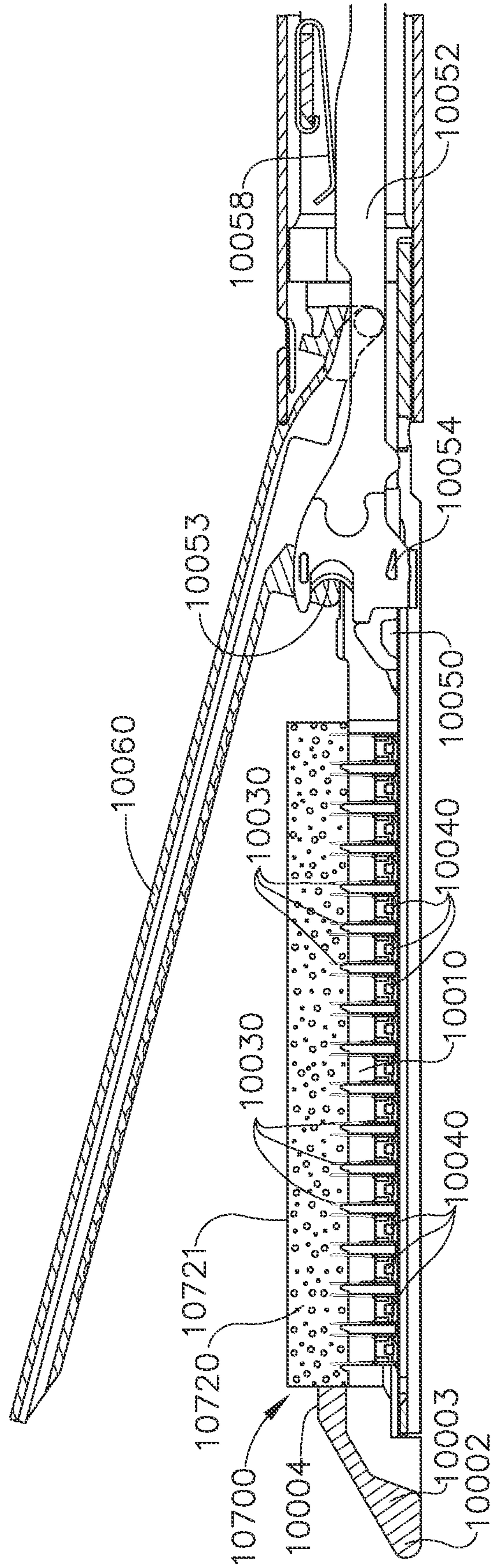


FIG. 44

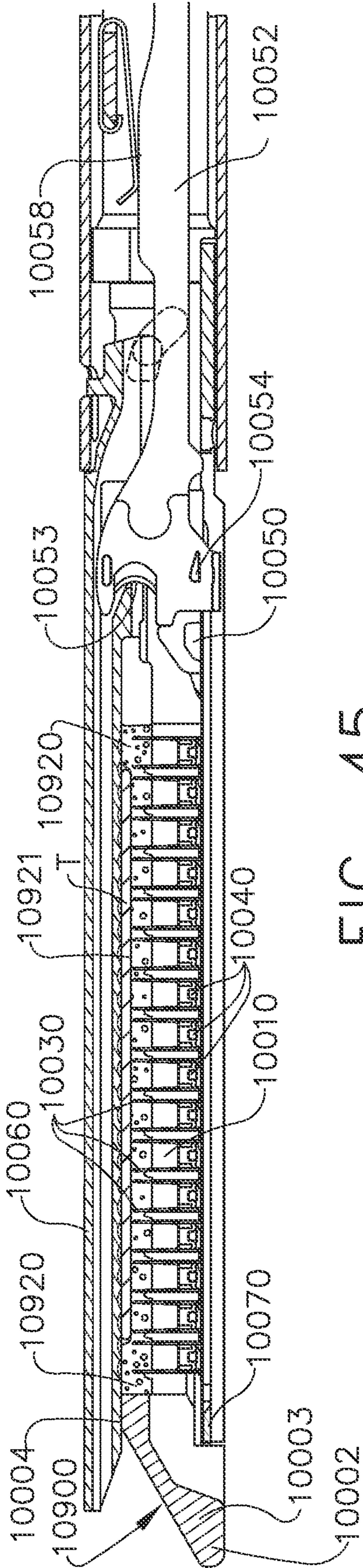


FIG. 45

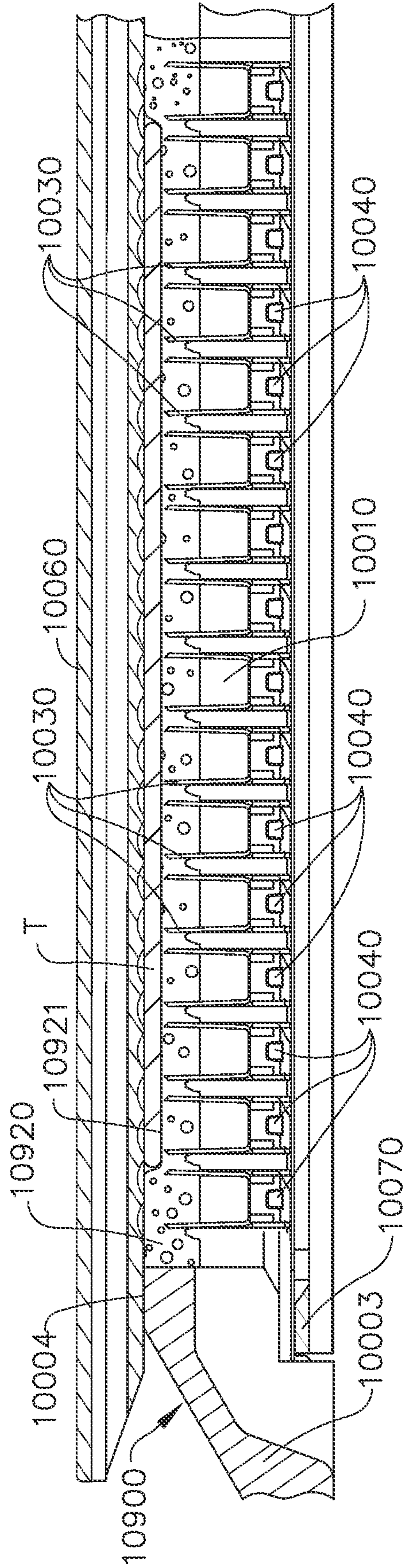


FIG. 46

37/177

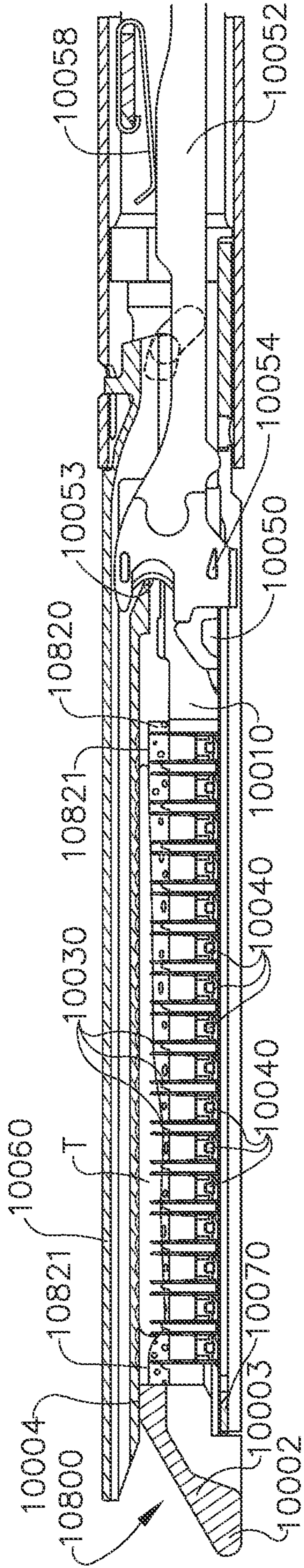


FIG. 47

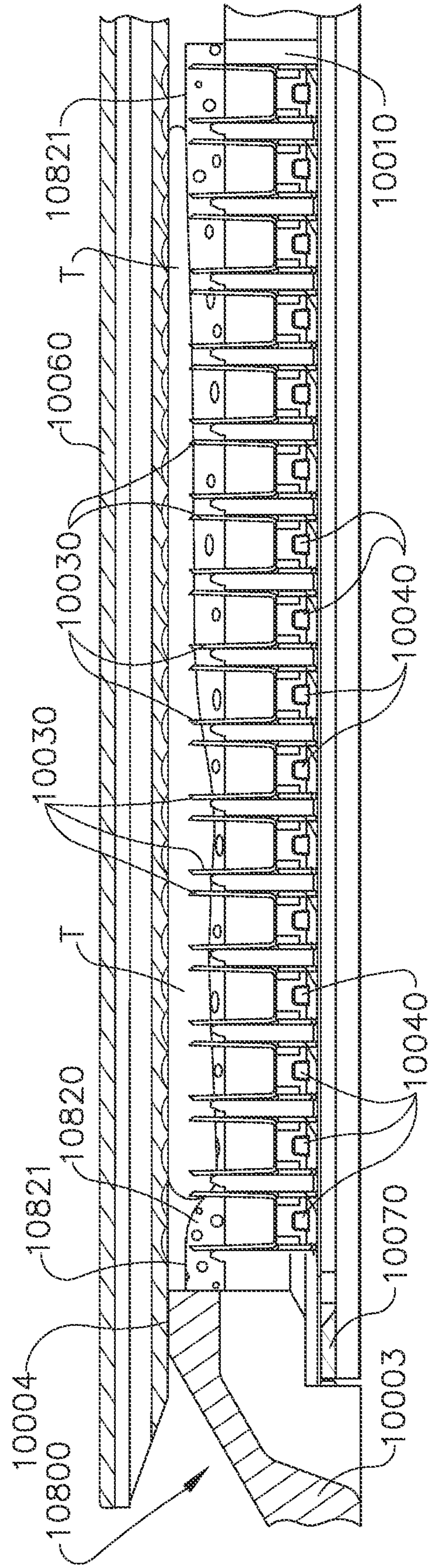


FIG. 48

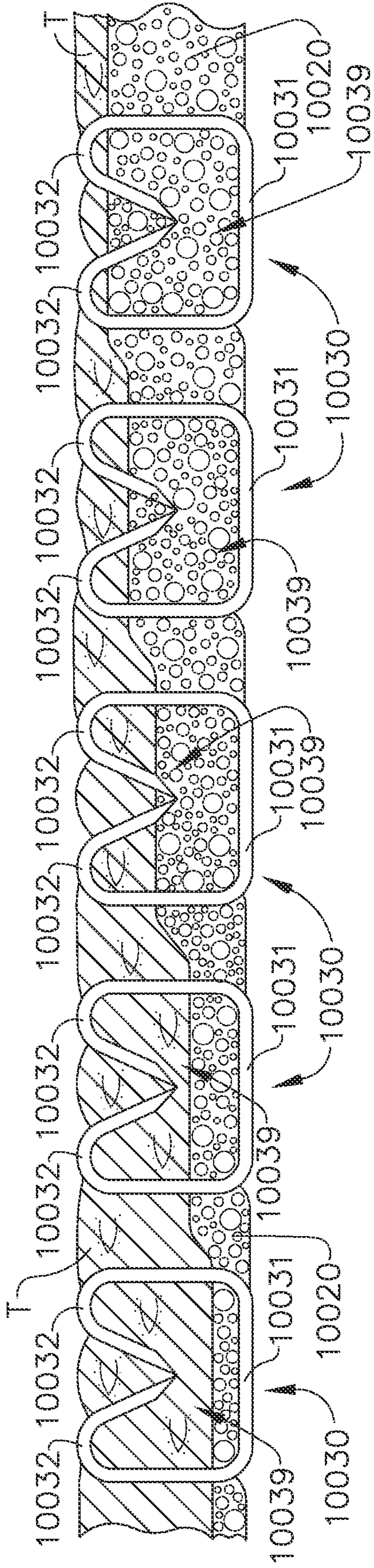


FIG. 49

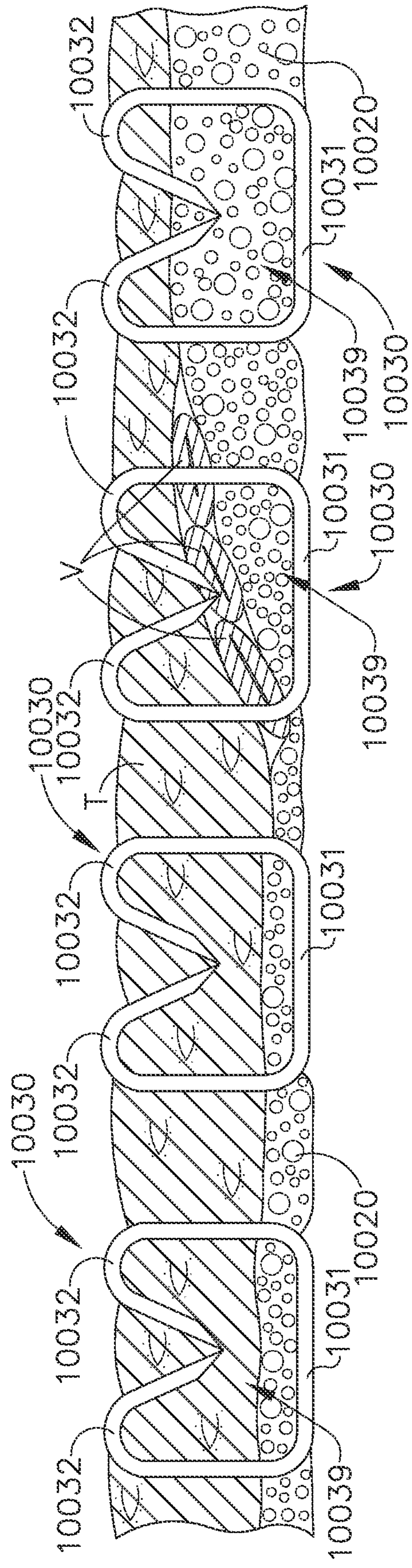


FIG. 50

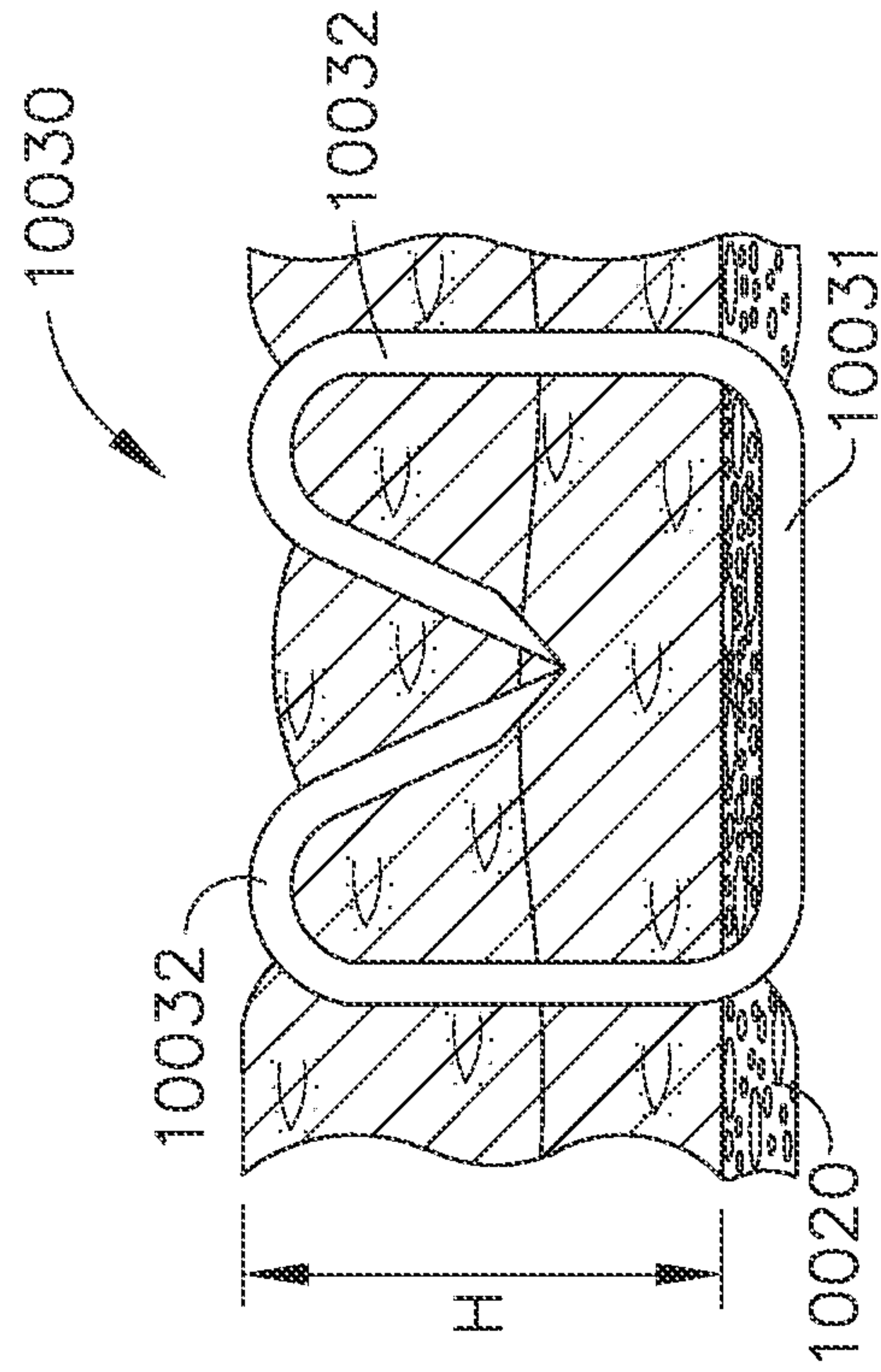


FIG. 51

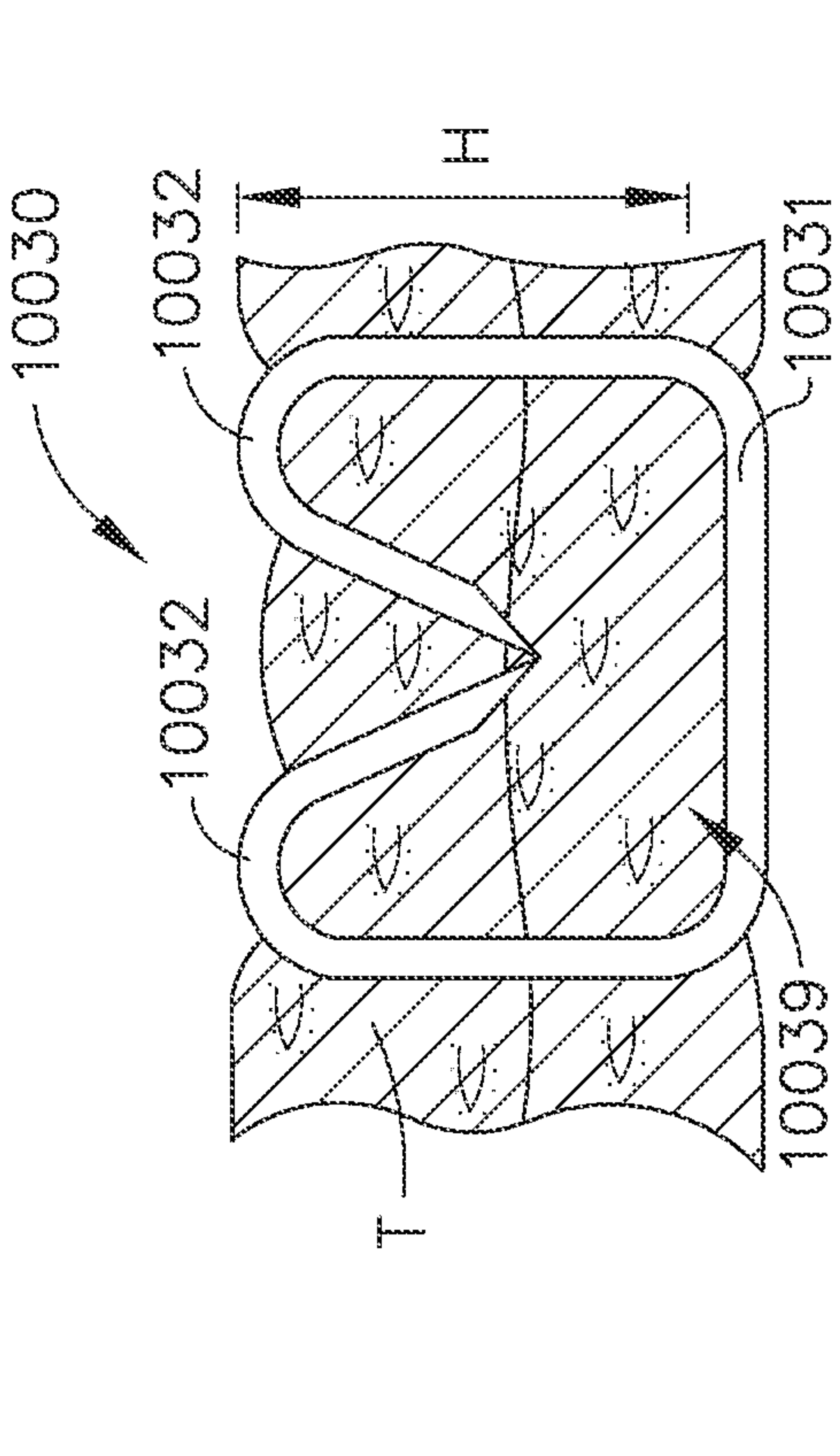


FIG. 52

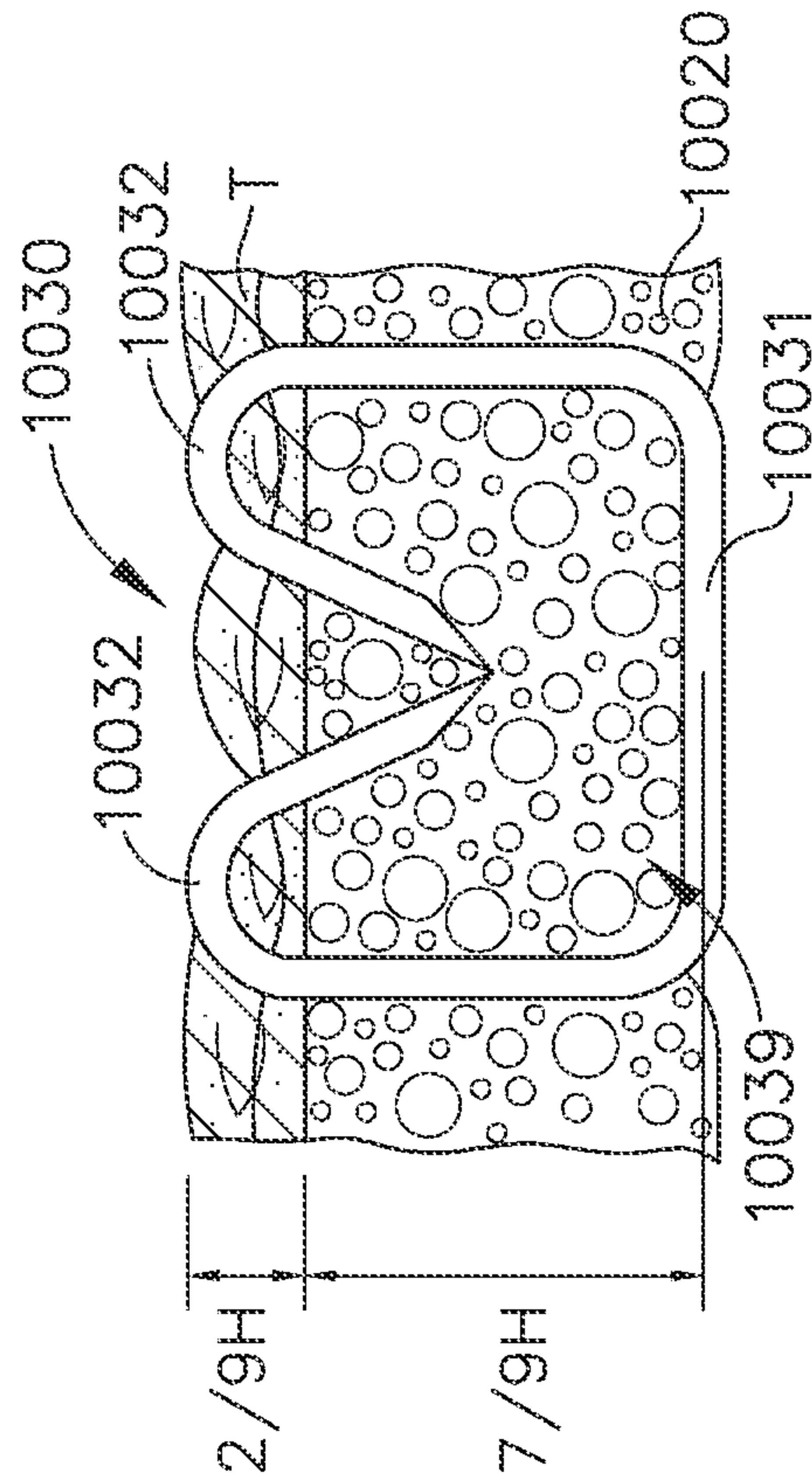


FIG. 53

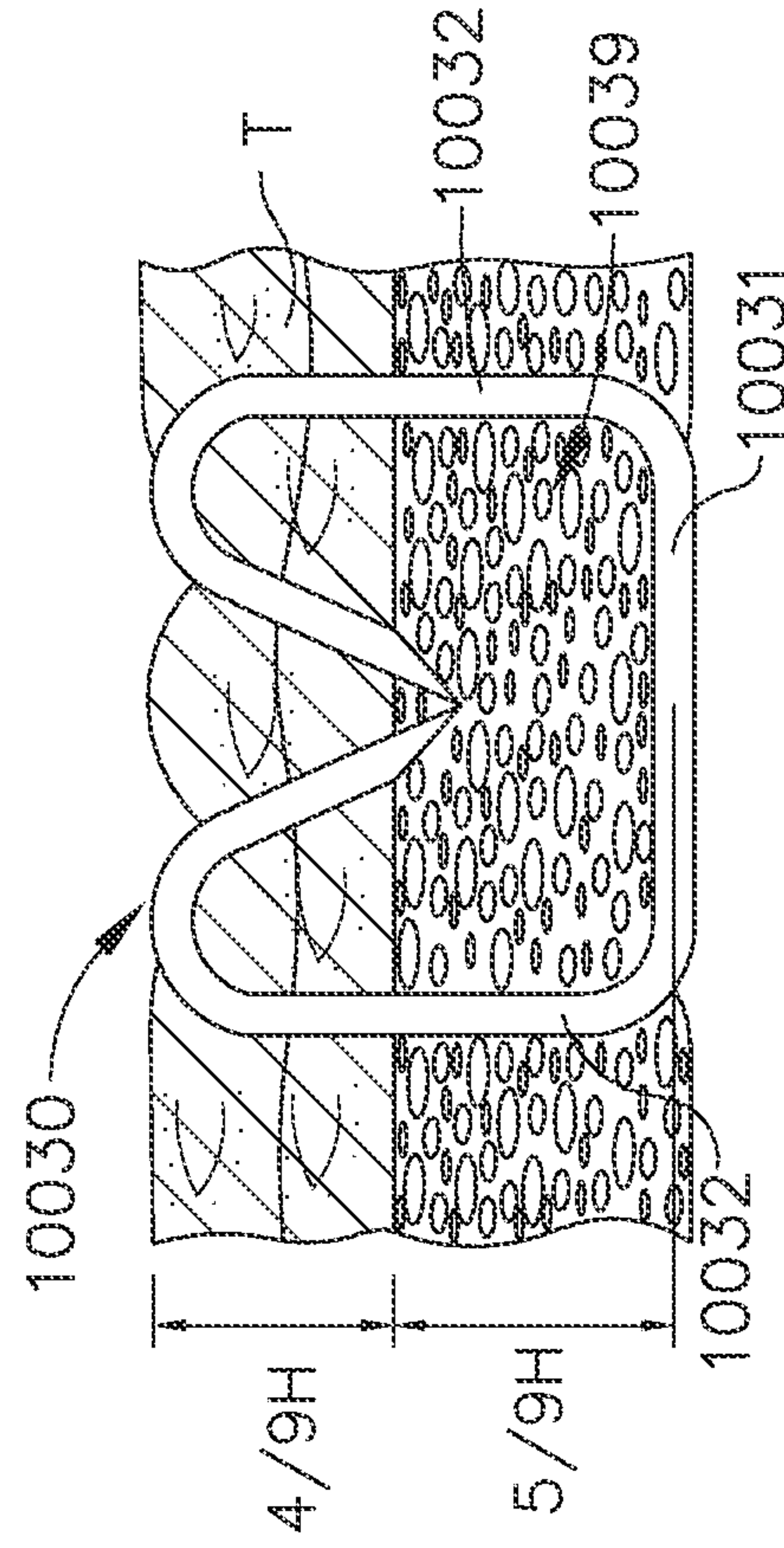


FIG. 54



40/177

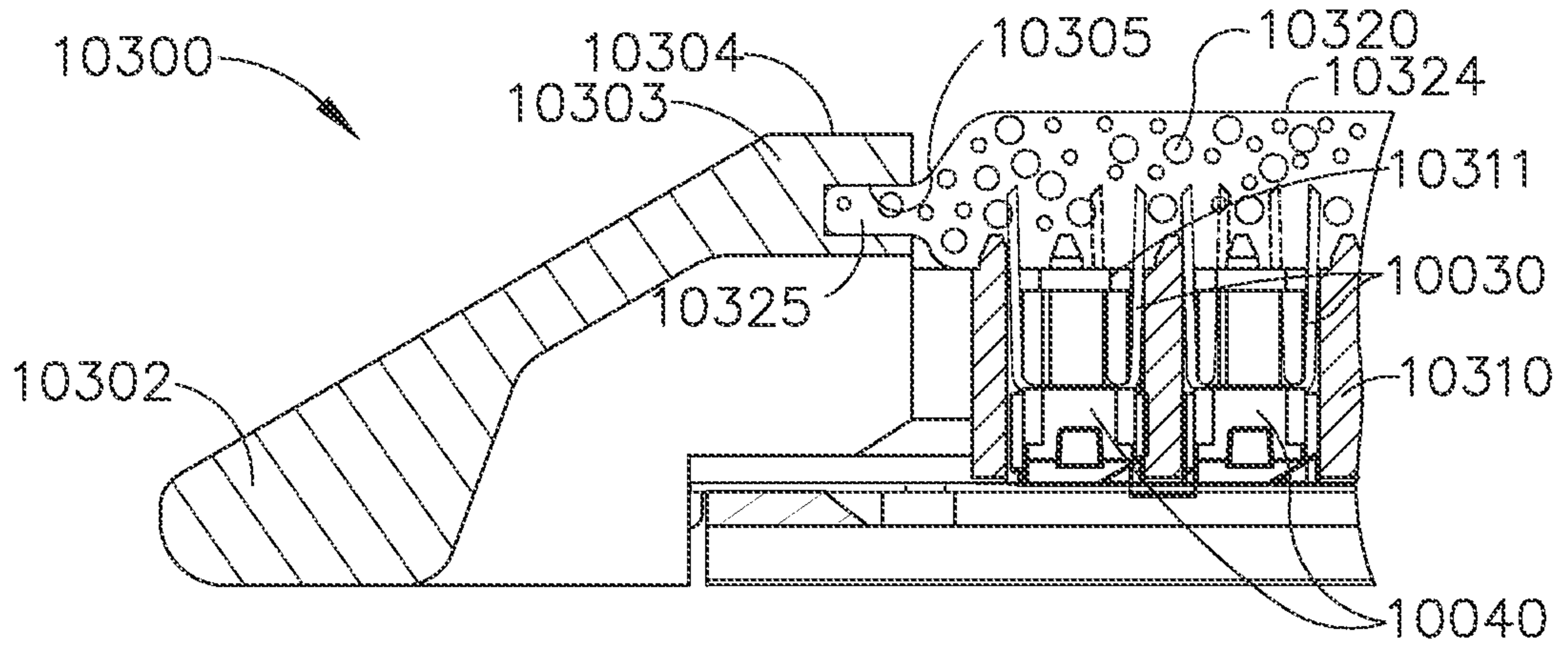


FIG. 55

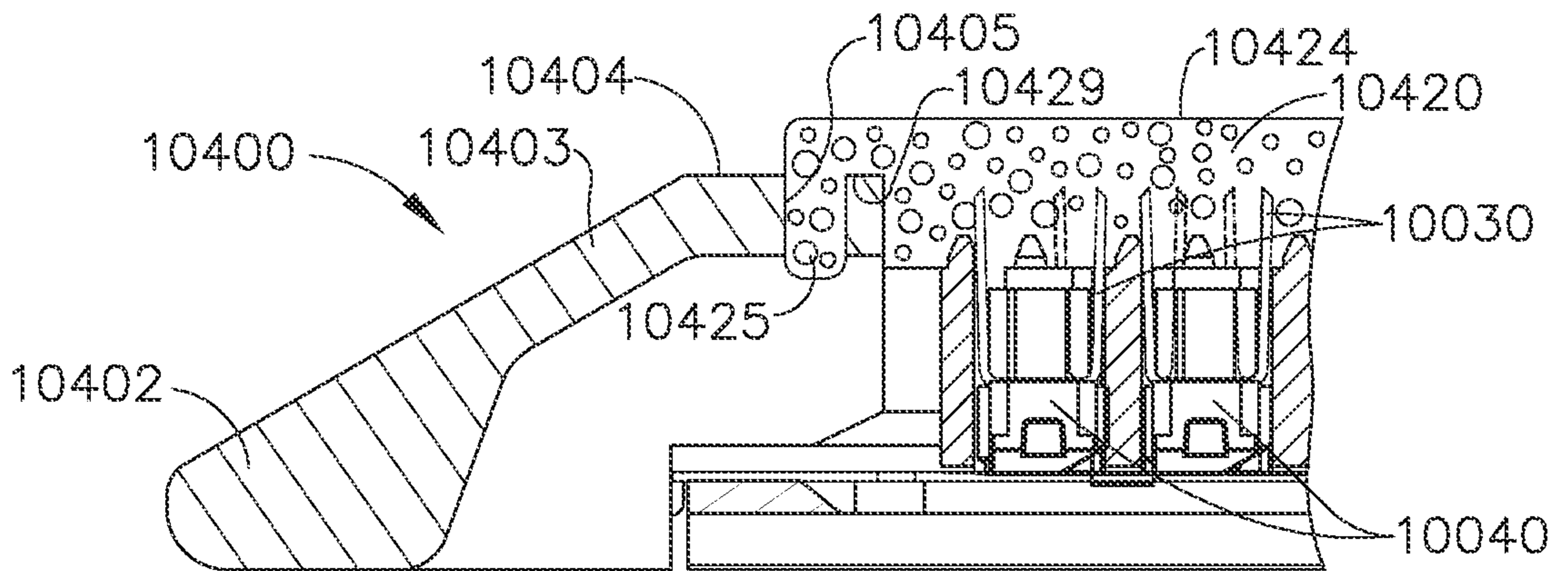


FIG. 56

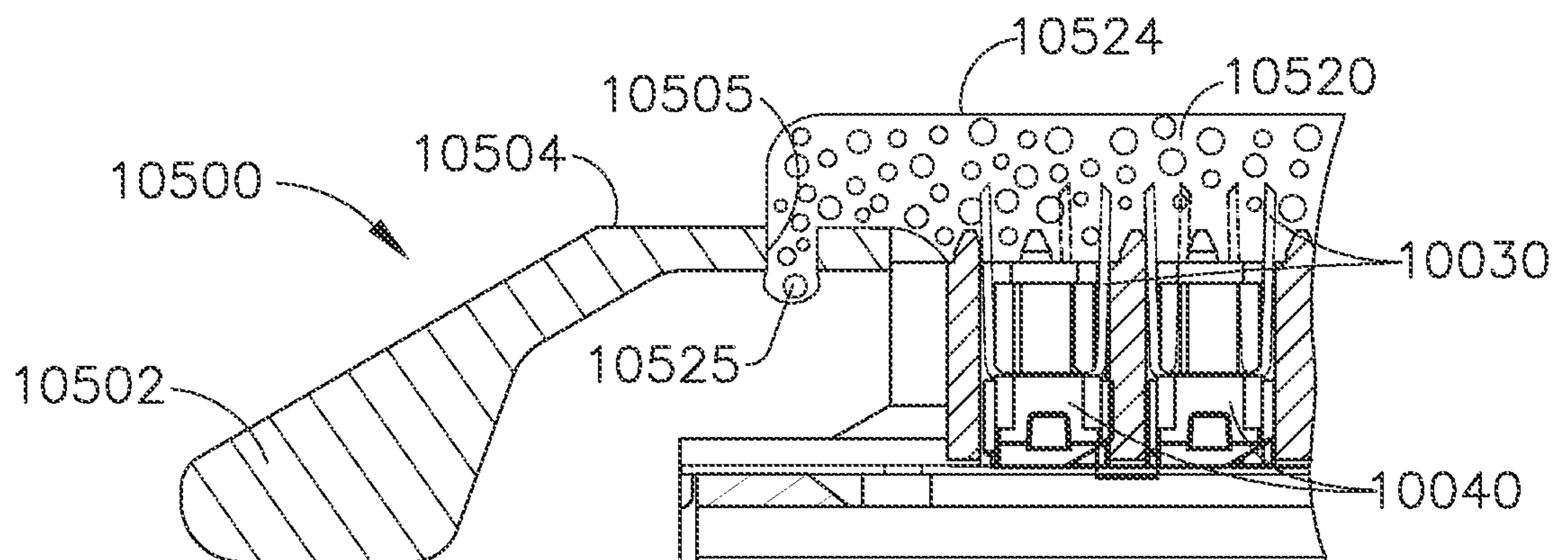


FIG. 57

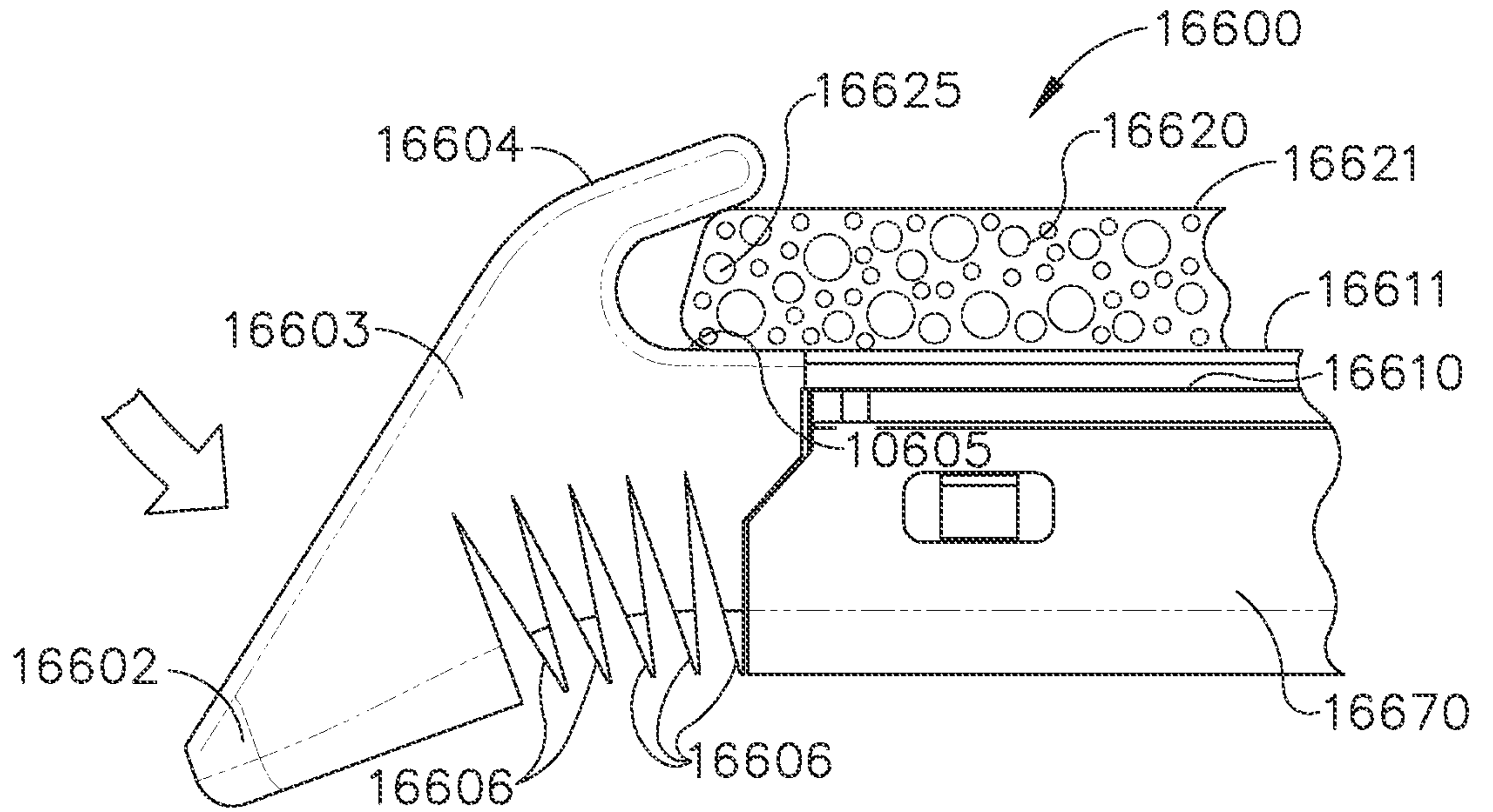


FIG. 58

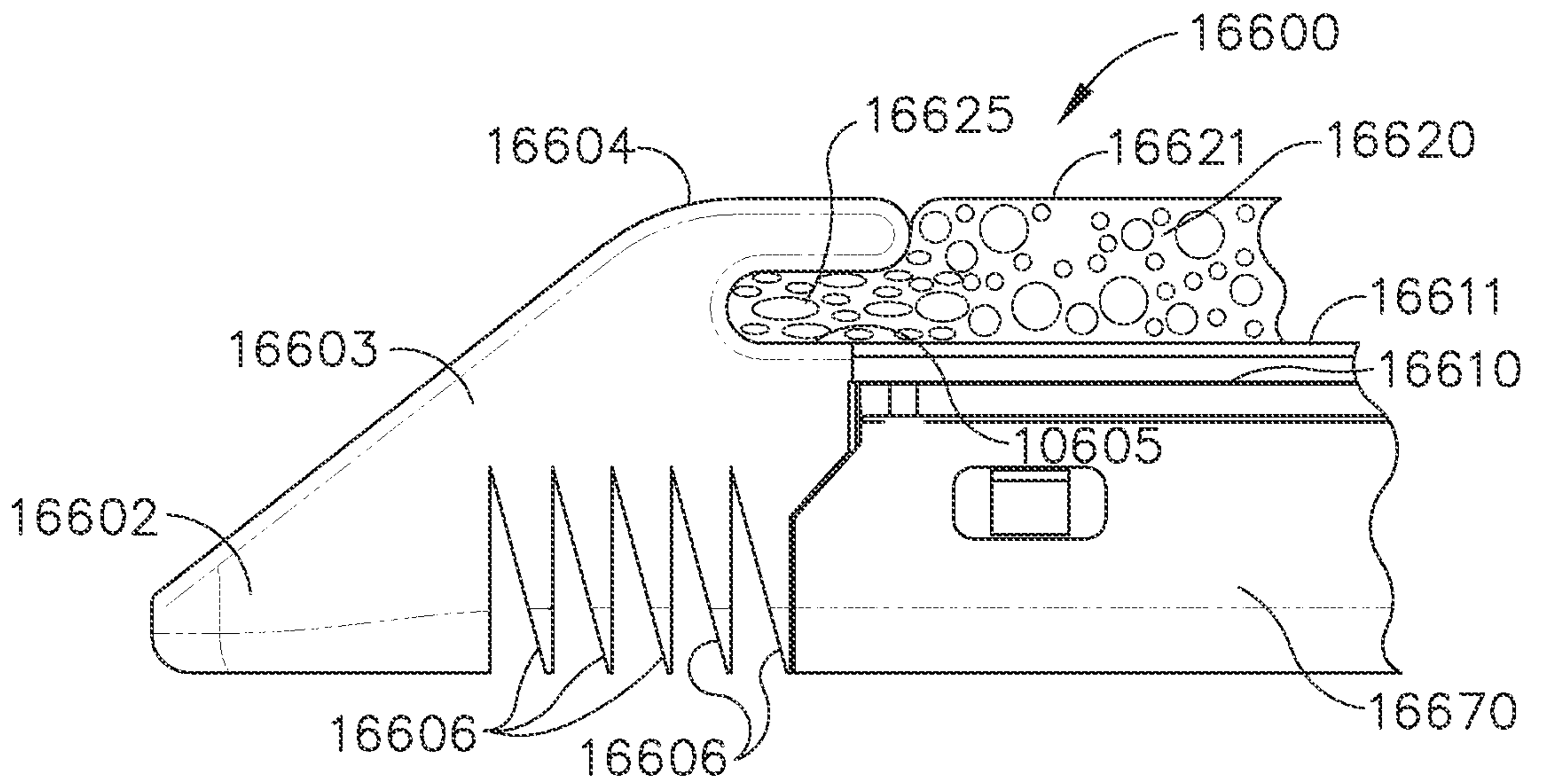


FIG. 59

42/177

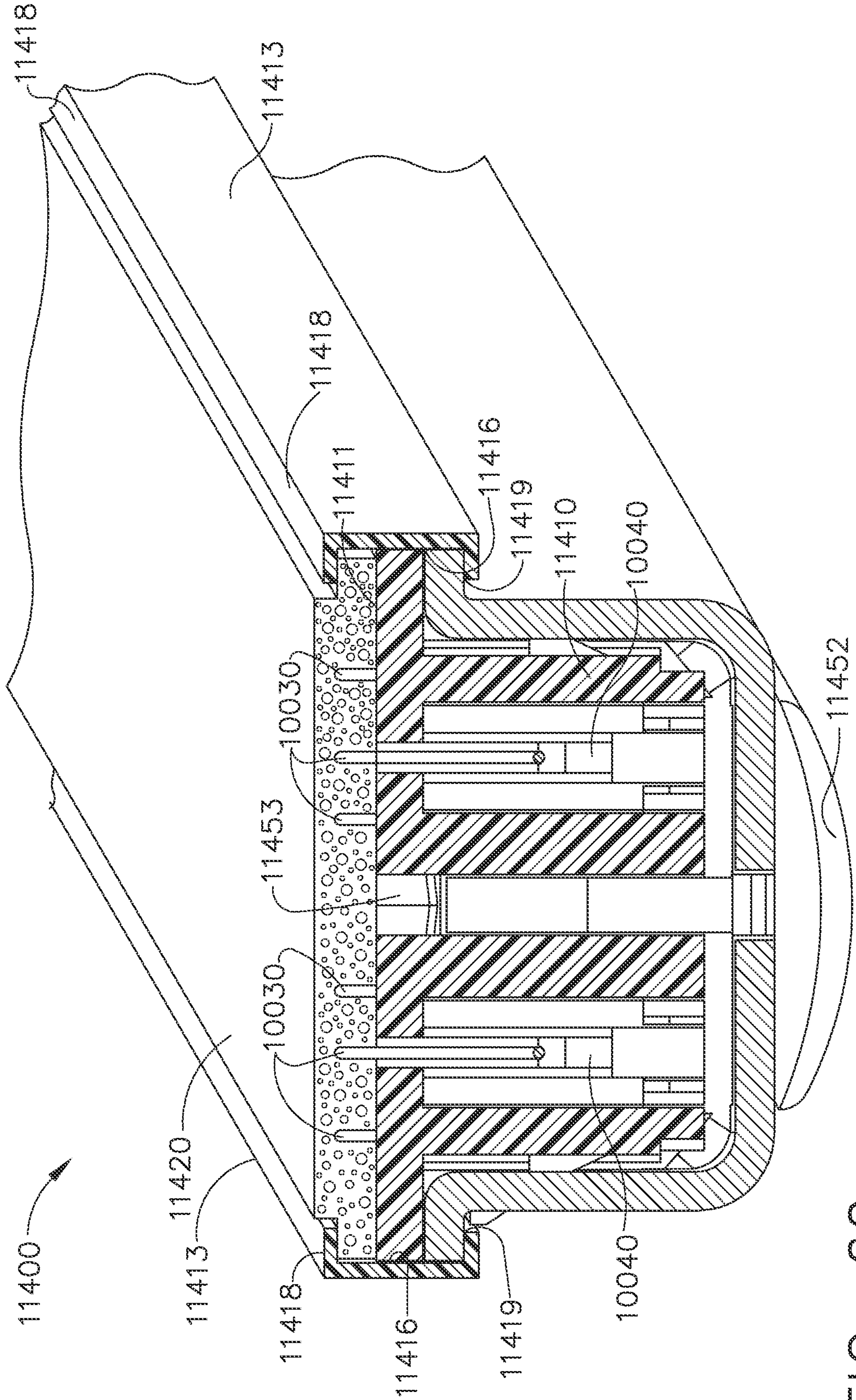


FIG. 60

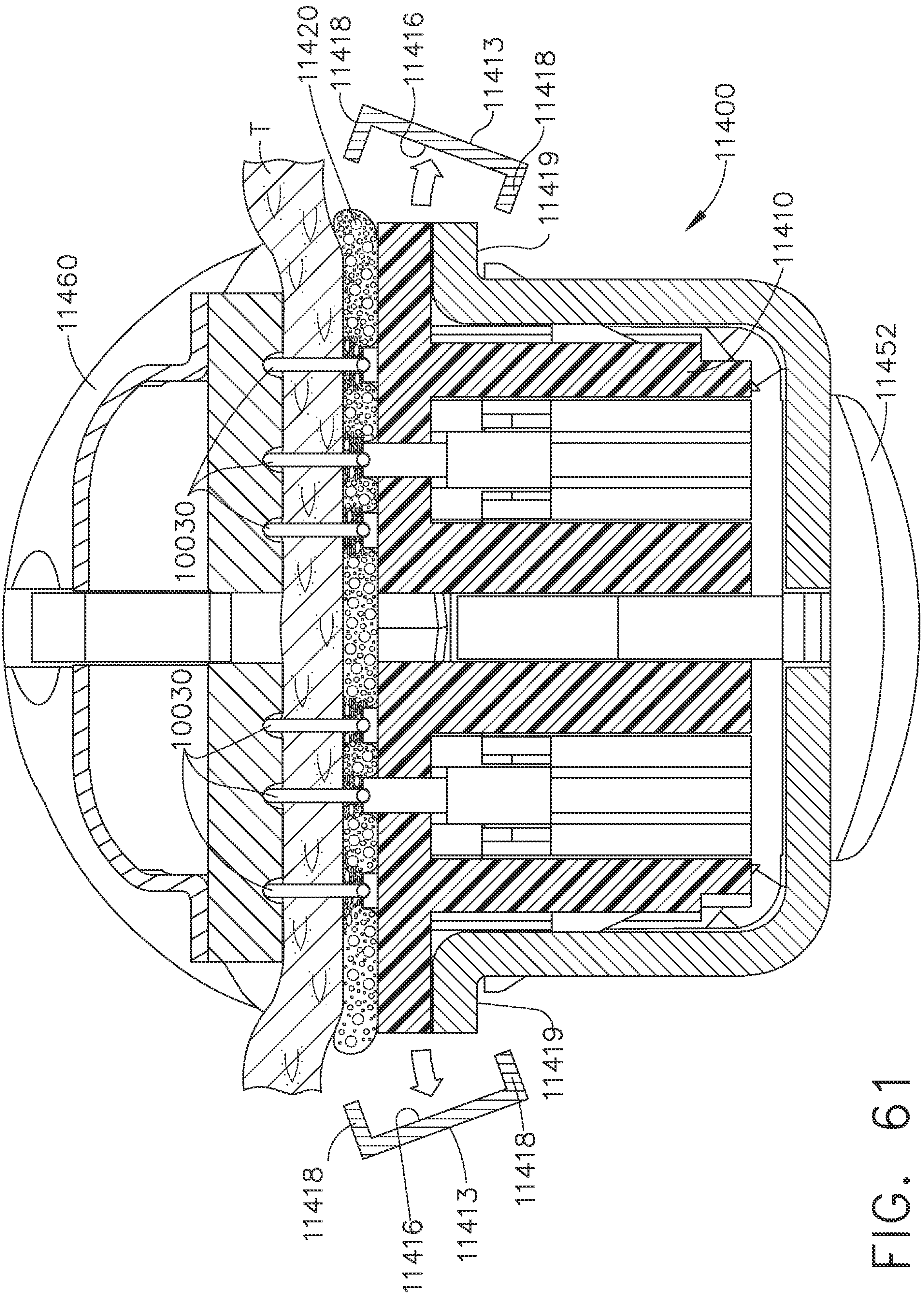


FIG. 61

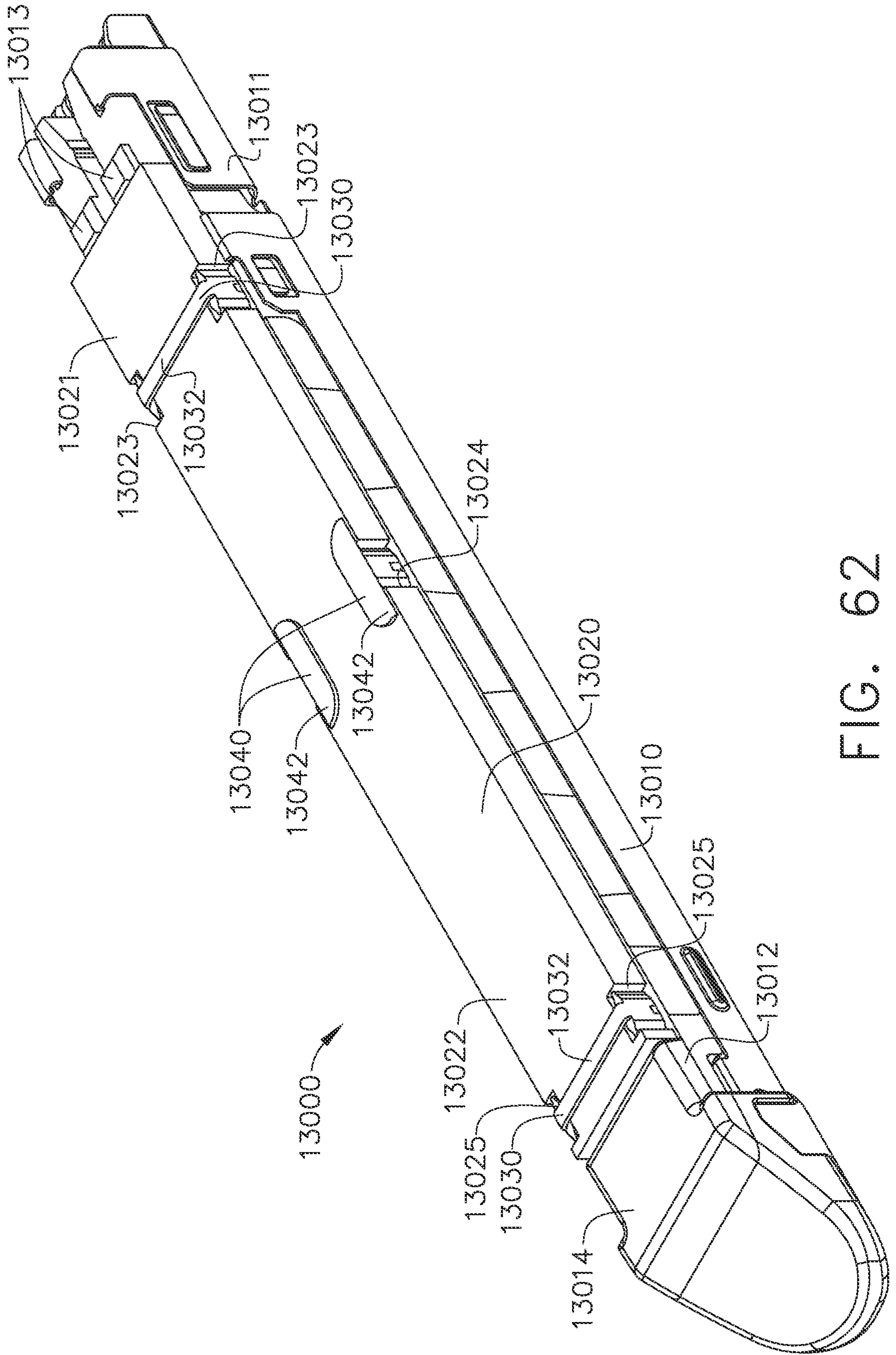


FIG. 62

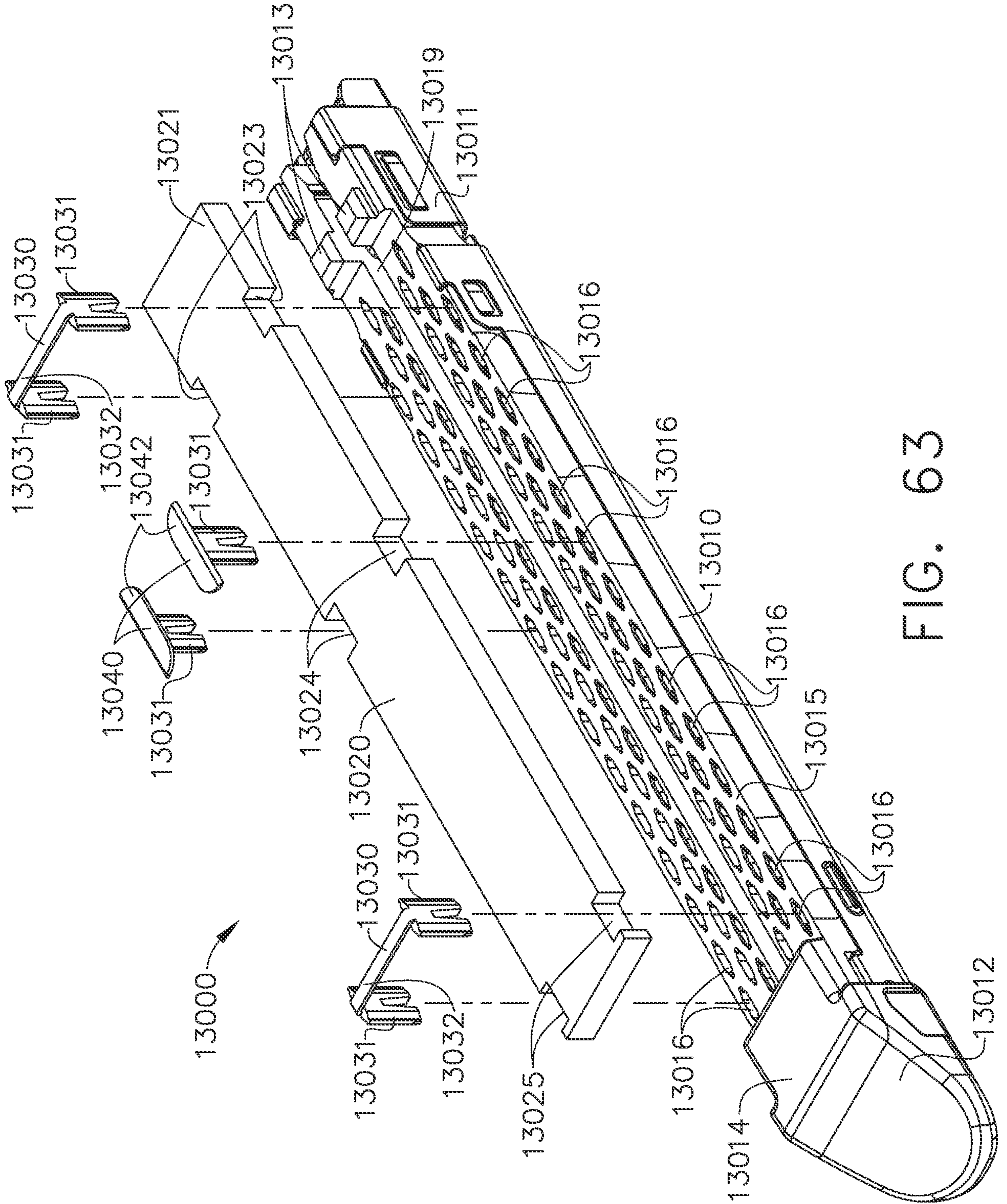


FIG. 63

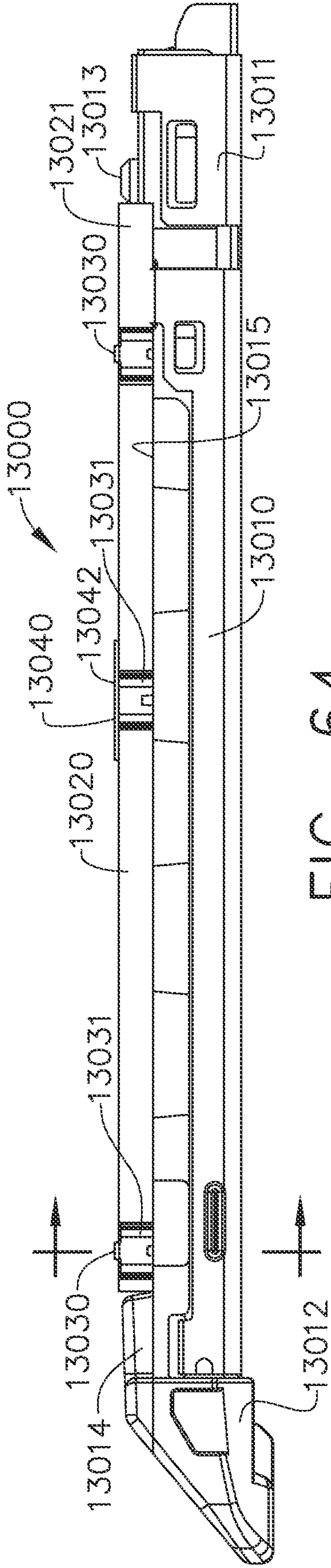


FIG. 64

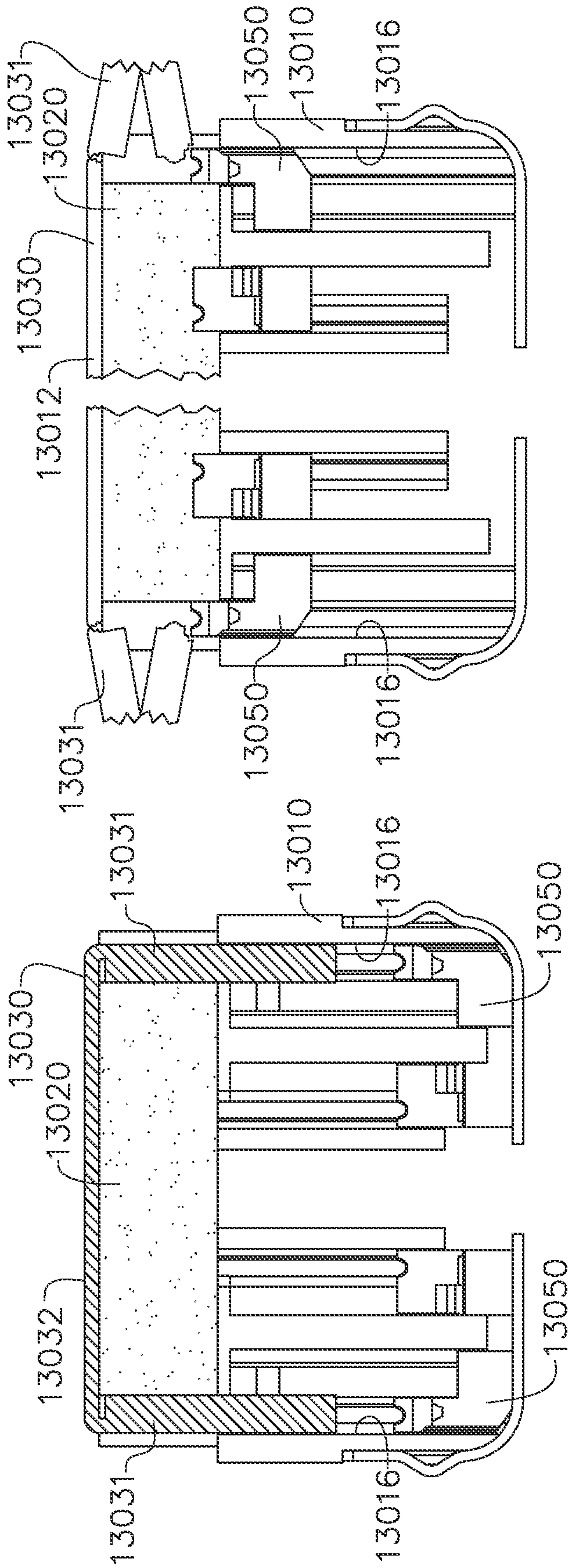


FIG. 65

FIG. 66

47/177

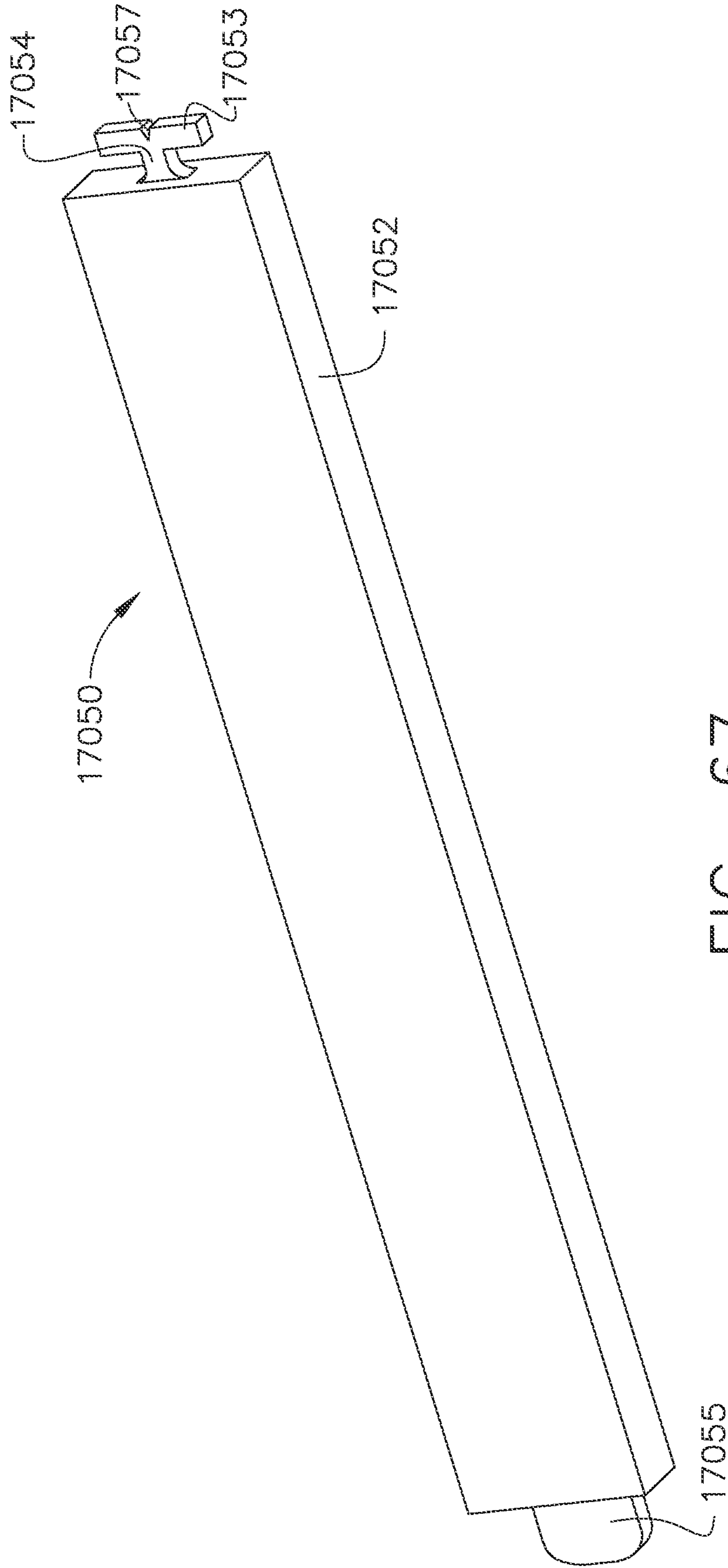


FIG. 67



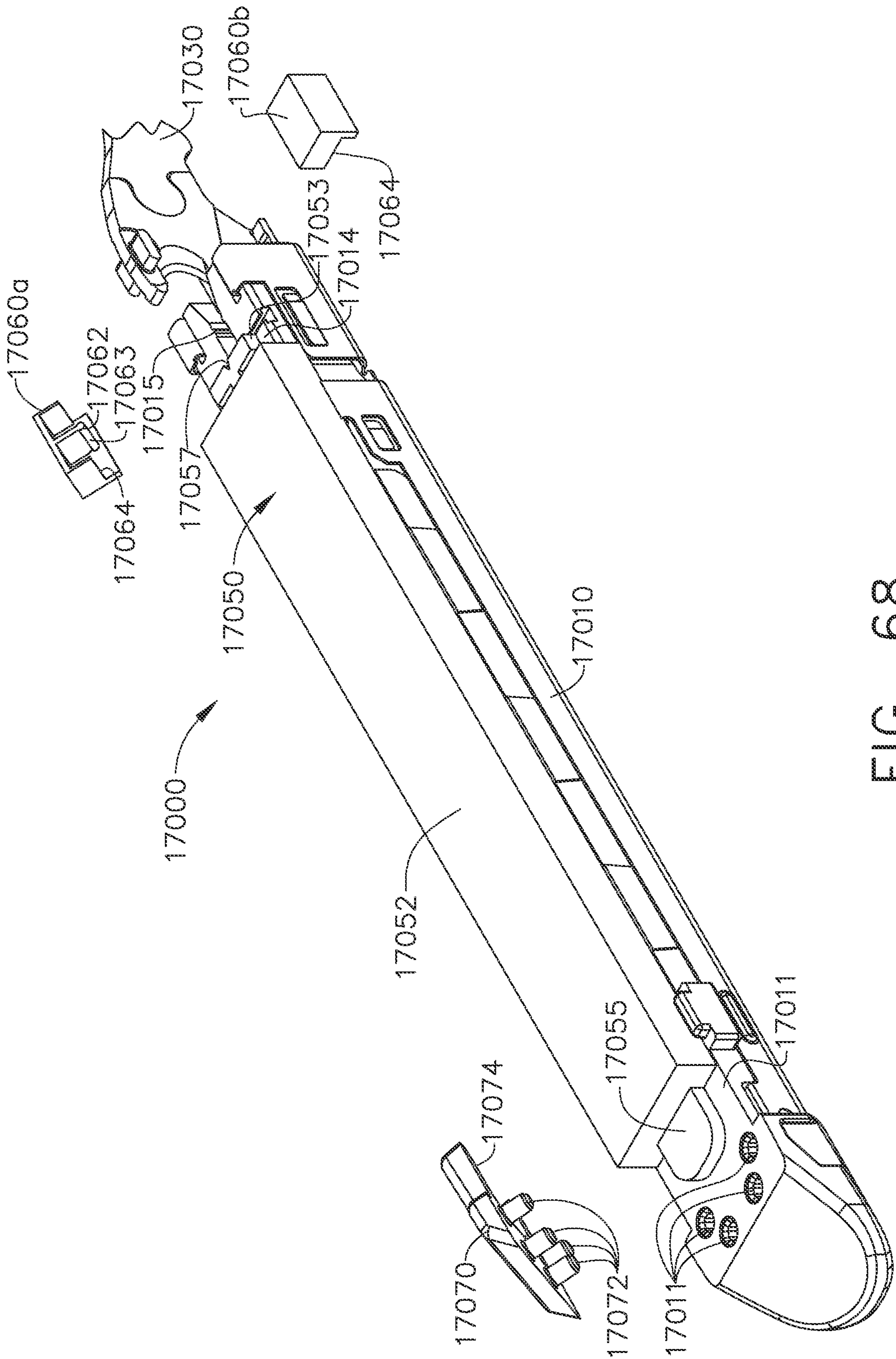


FIG. 68

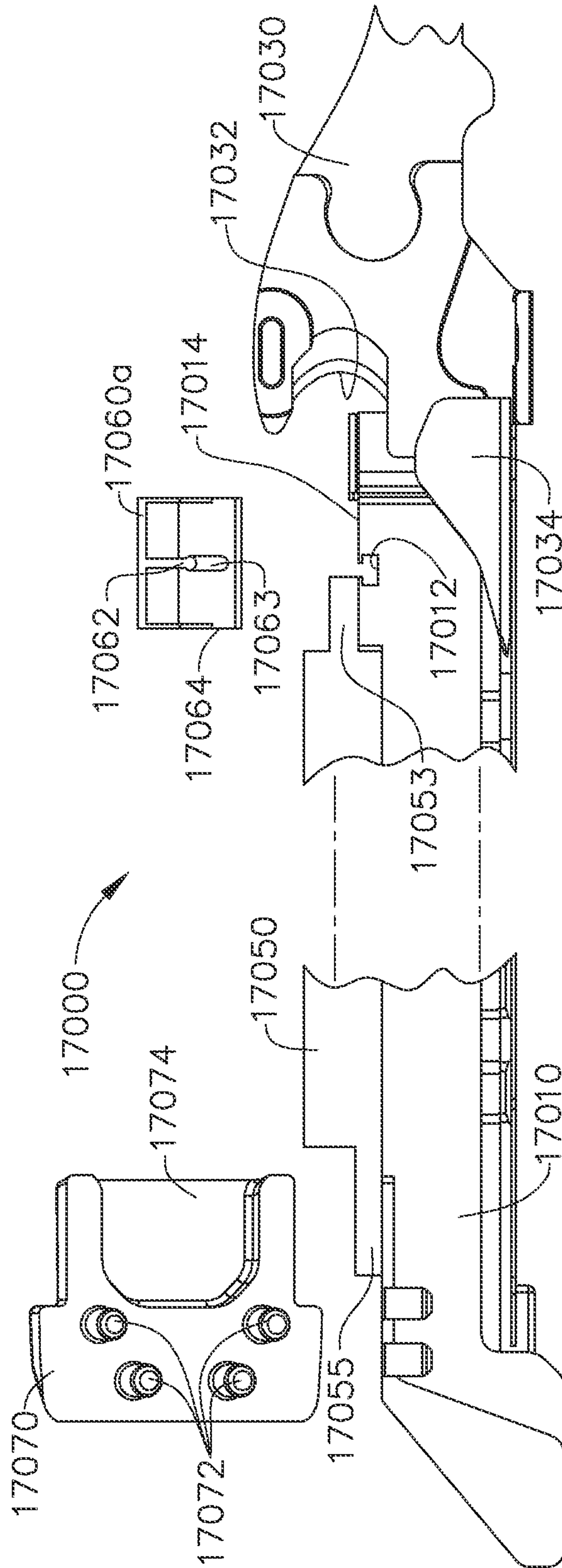


FIG. 69

50/177

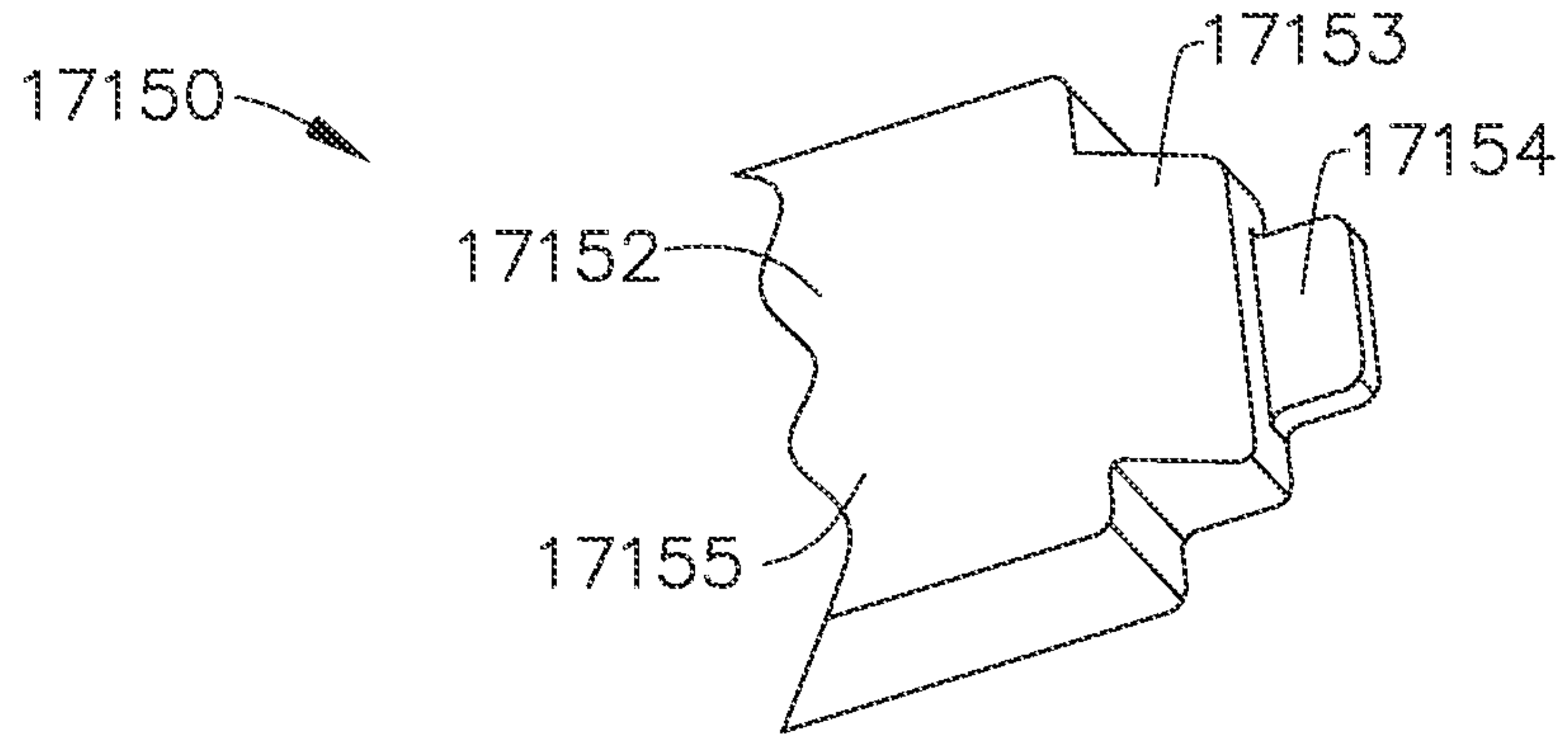


FIG. 70

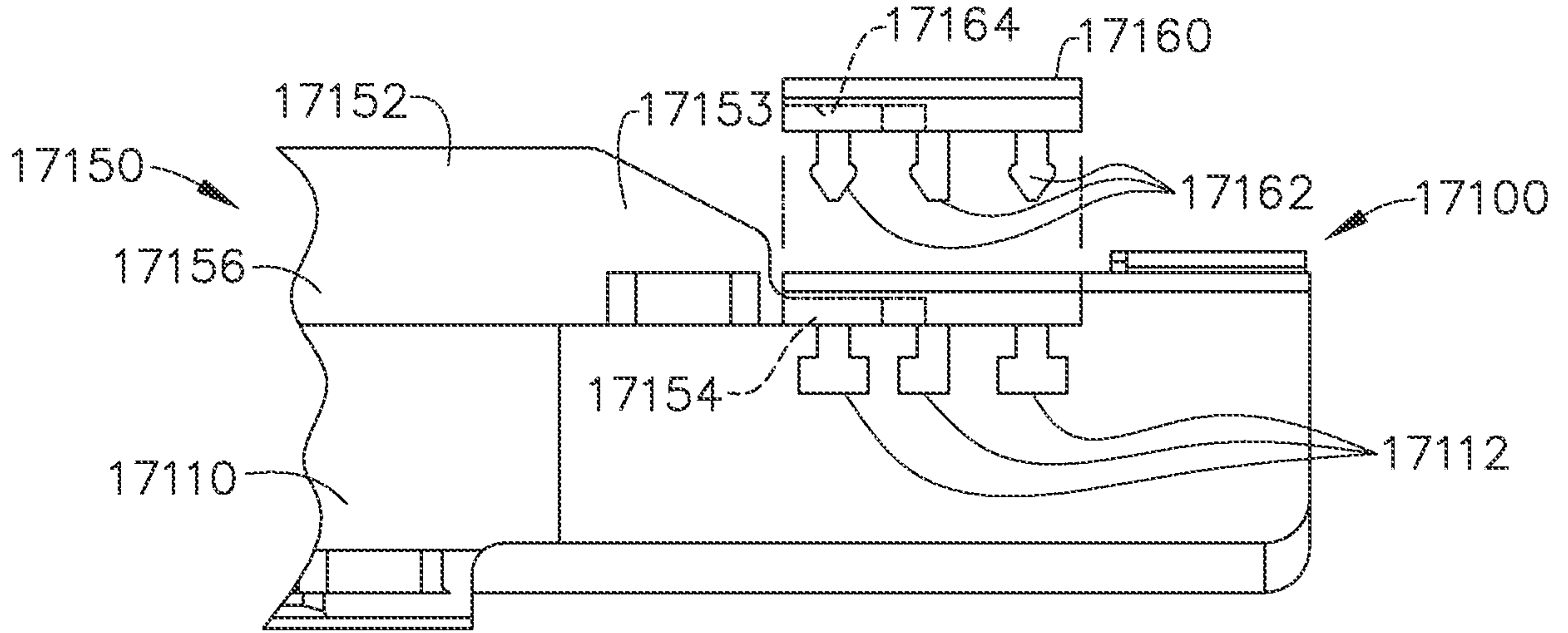


FIG. 71

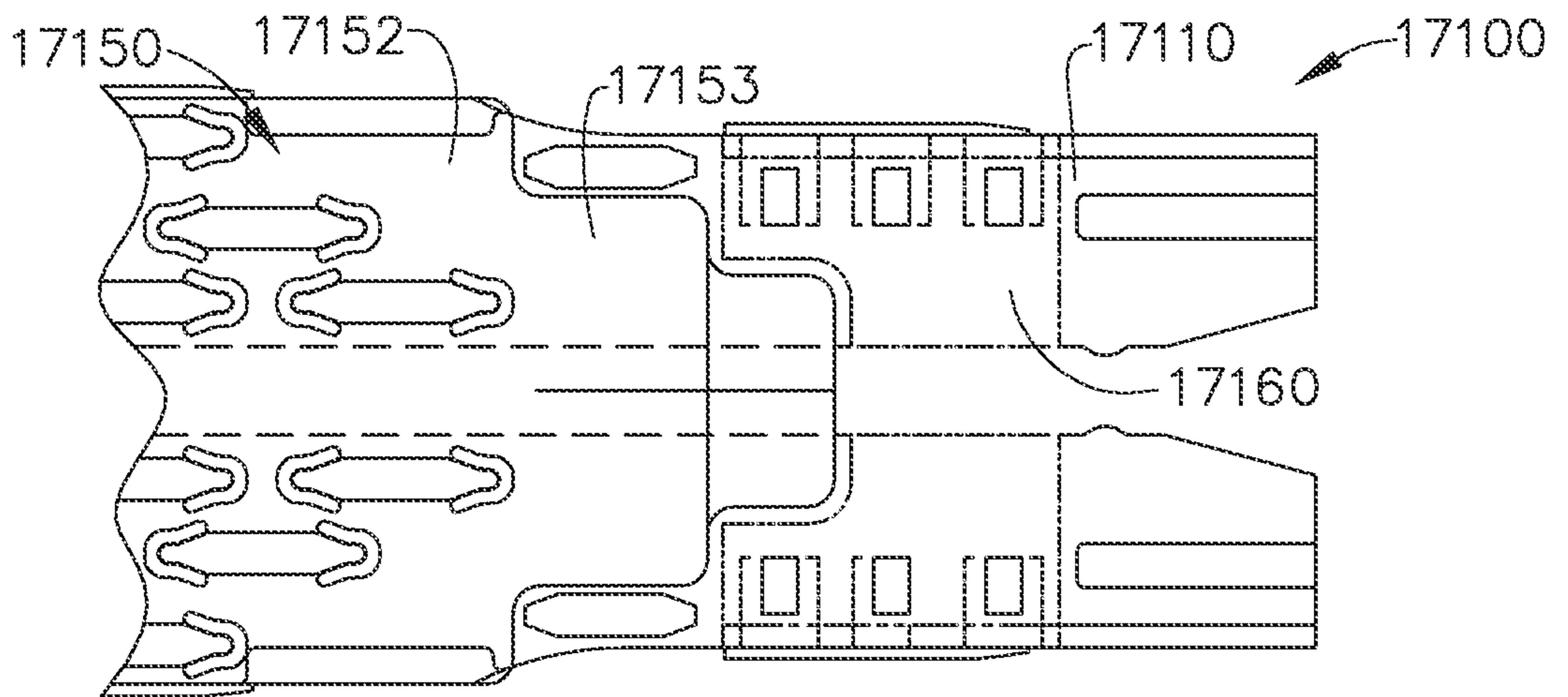


FIG. 72

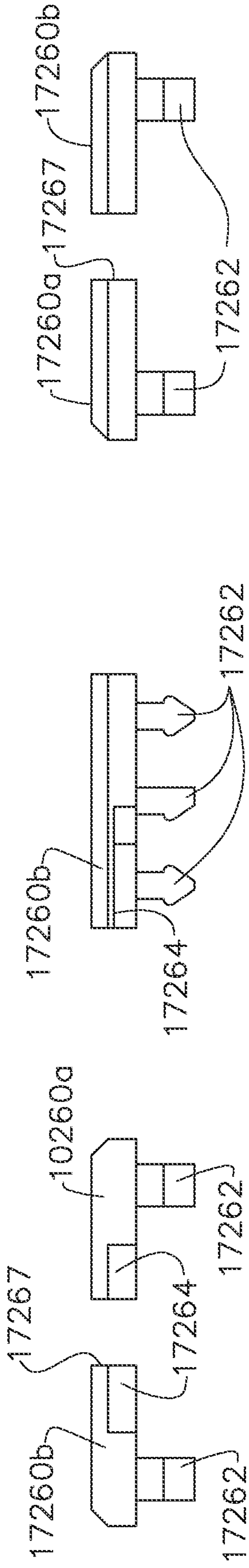


FIG. 73

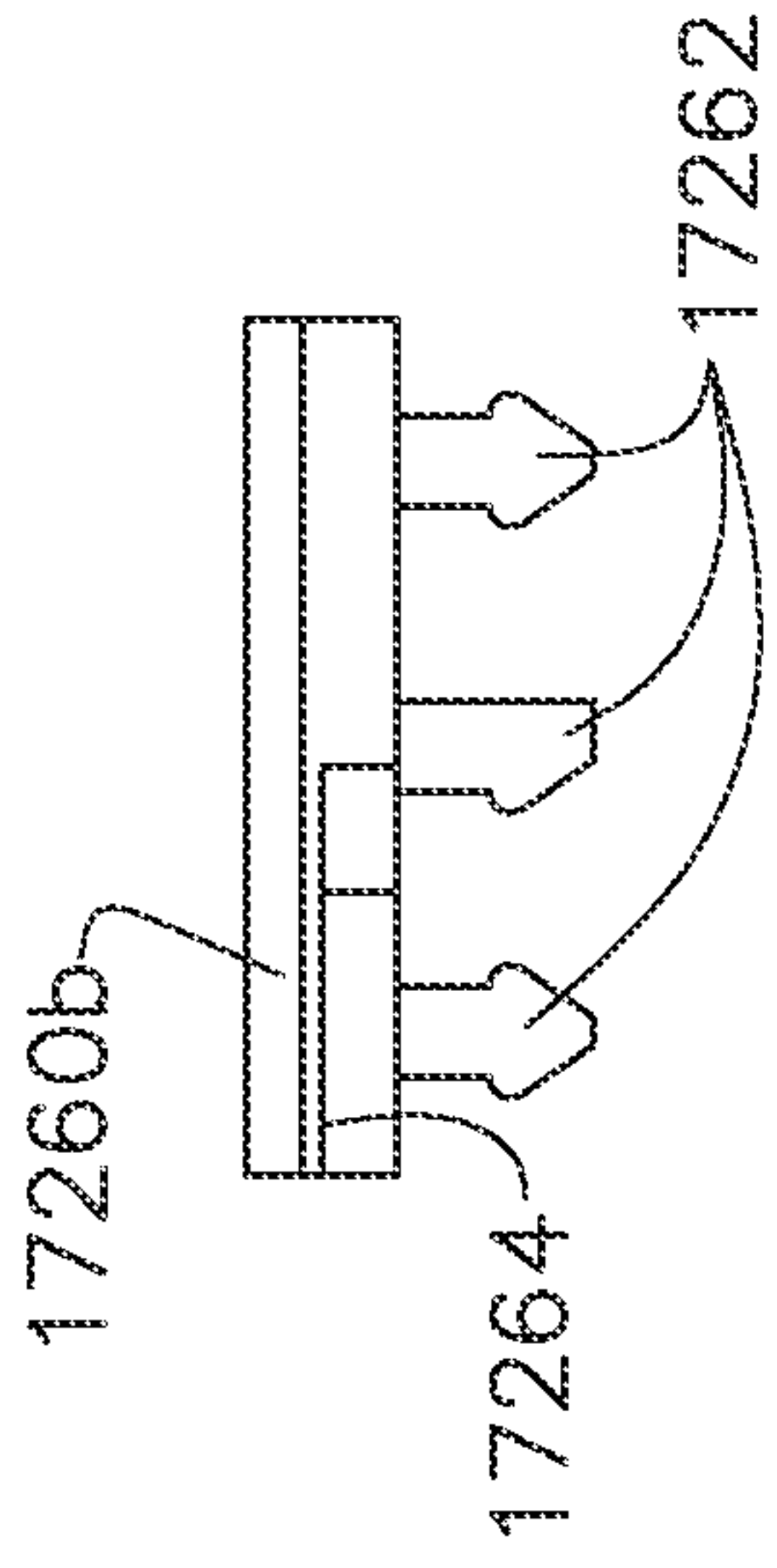


FIG. 74

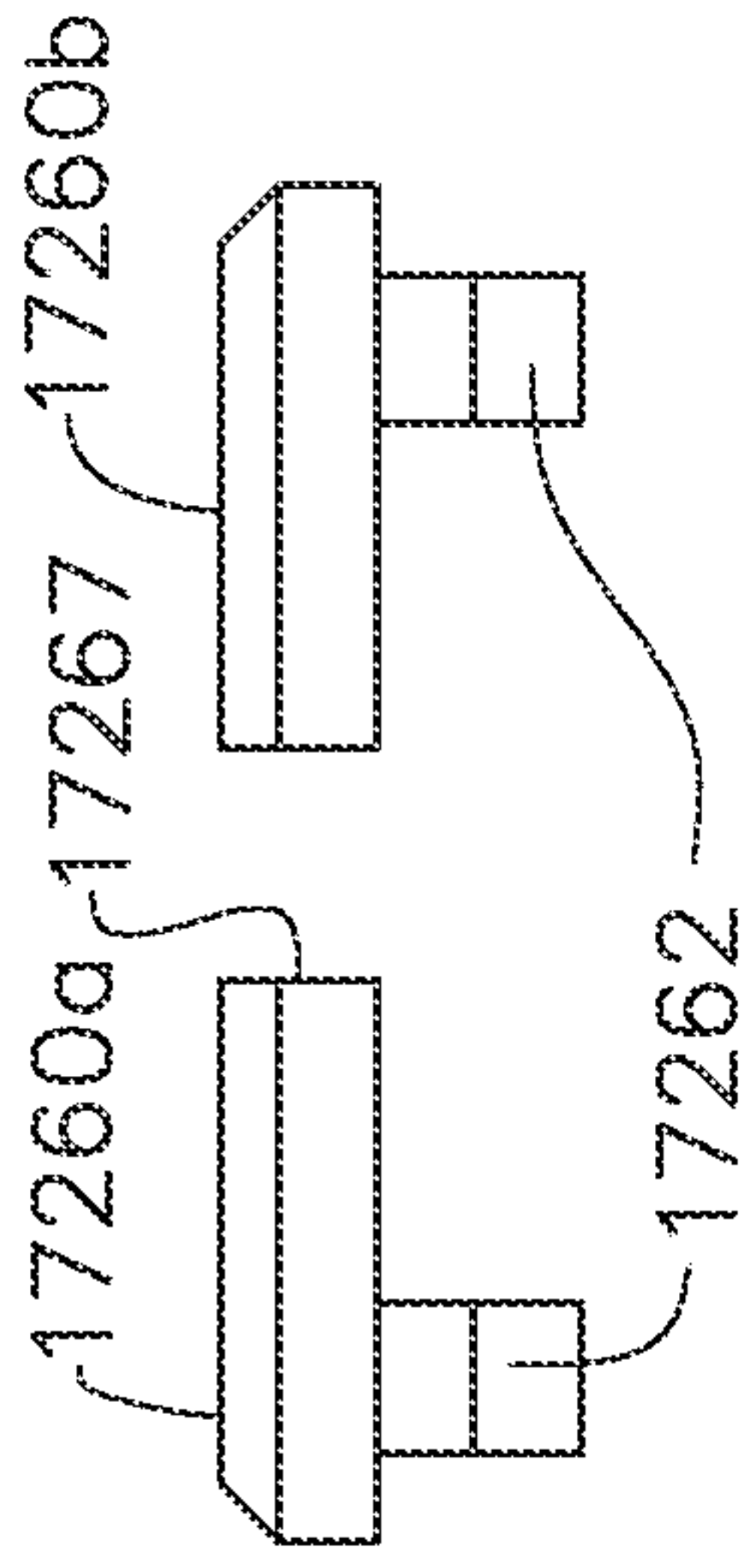


FIG. 75

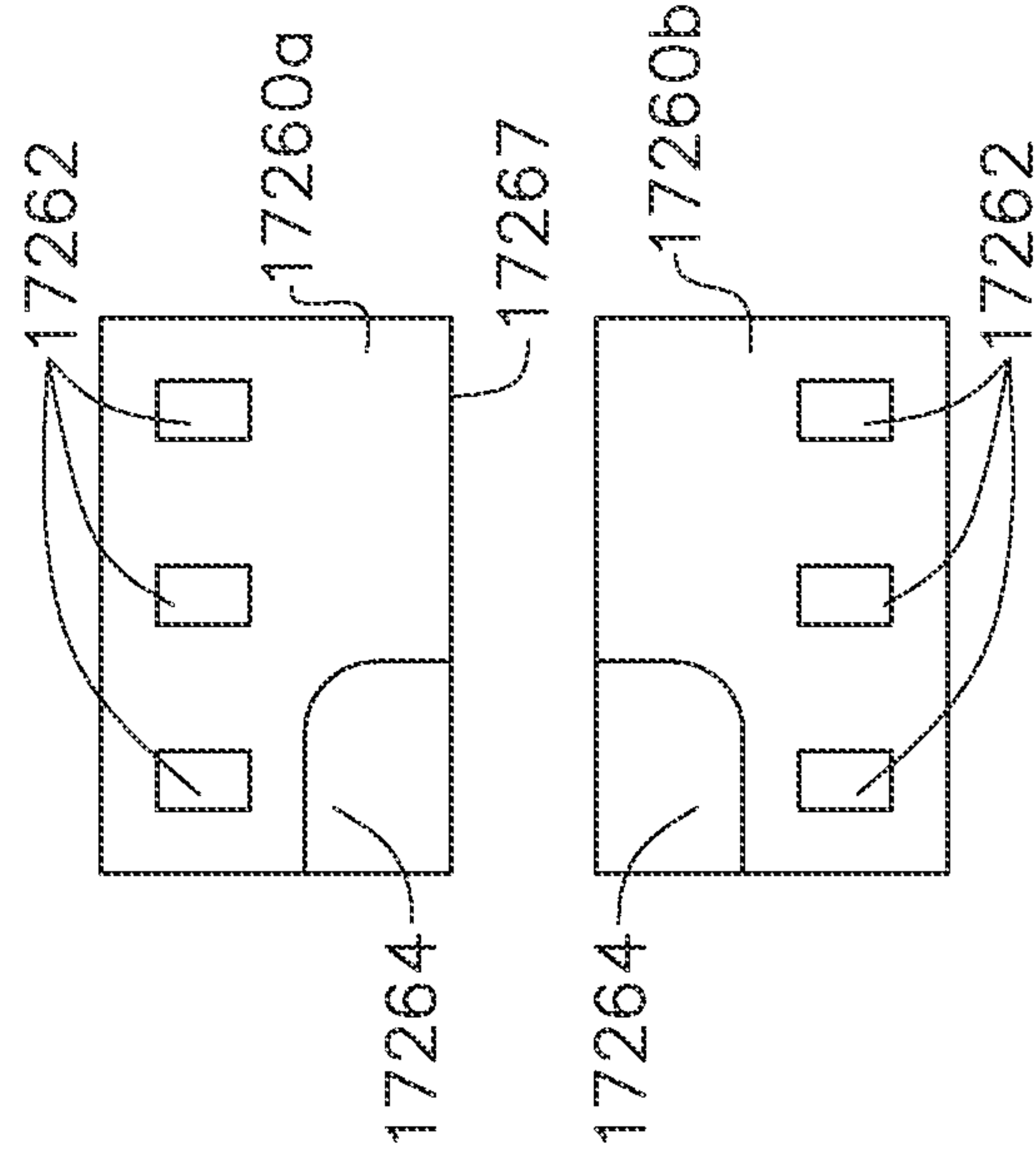


FIG. 76

52/177

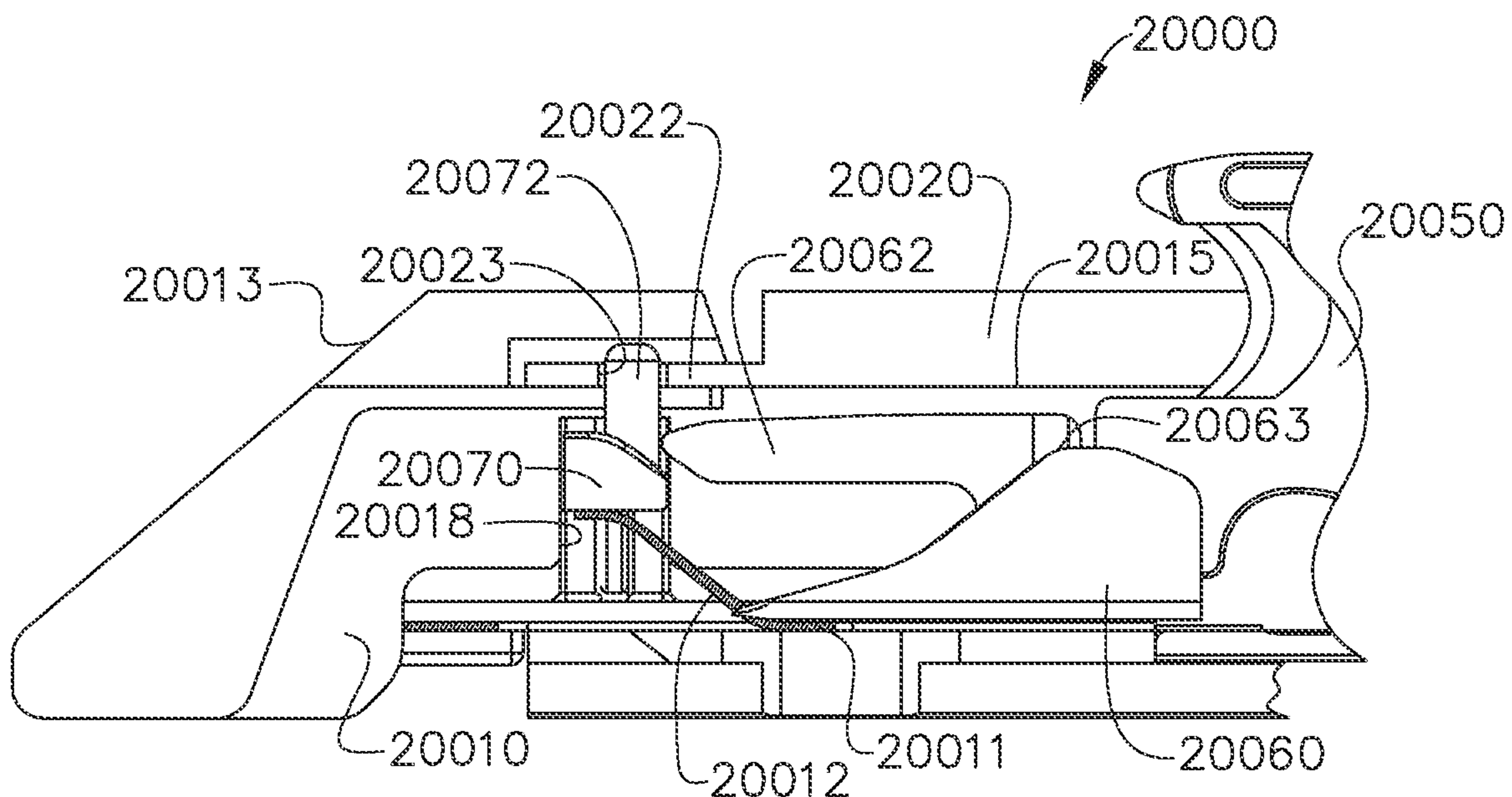


FIG. 77

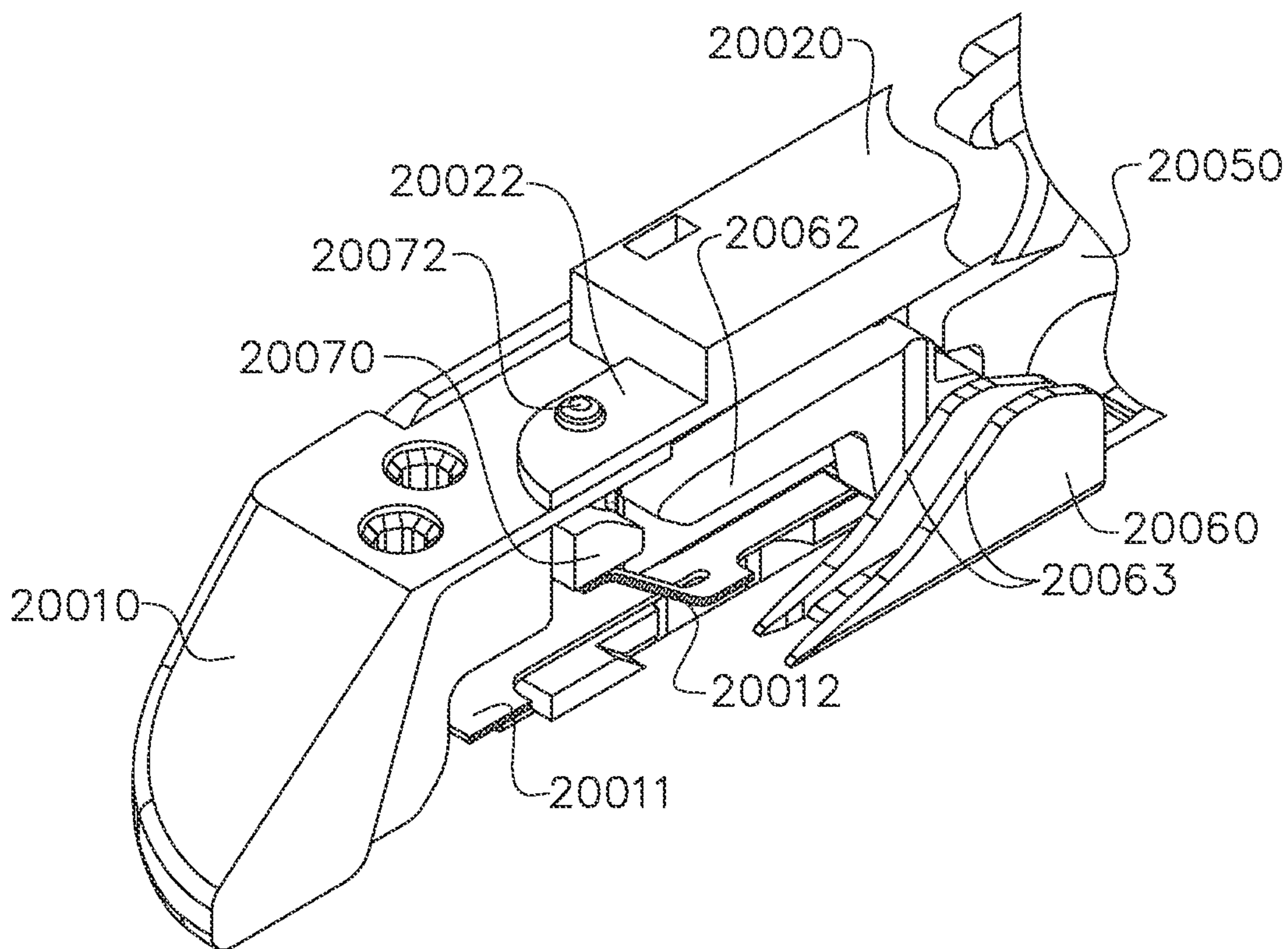
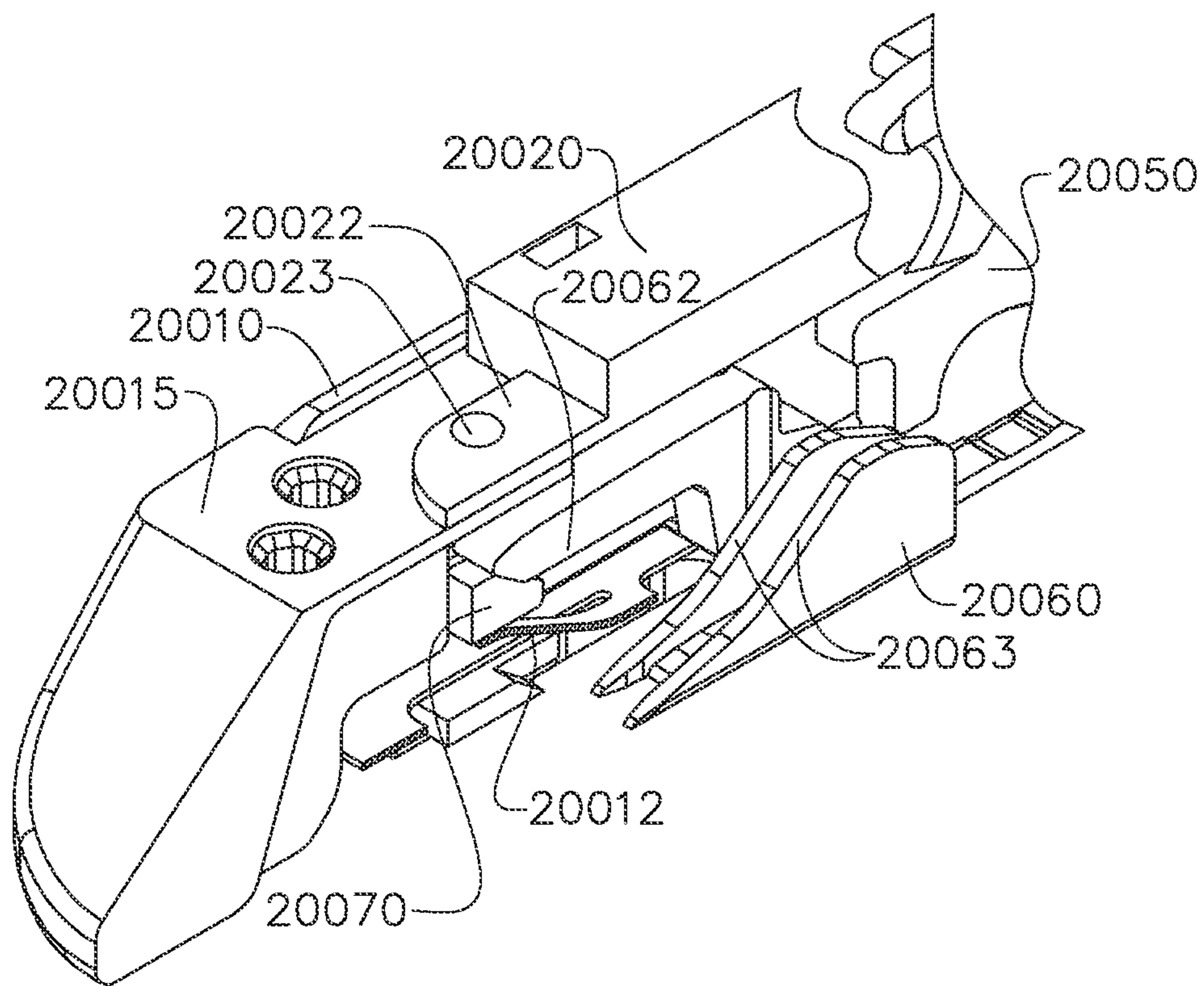
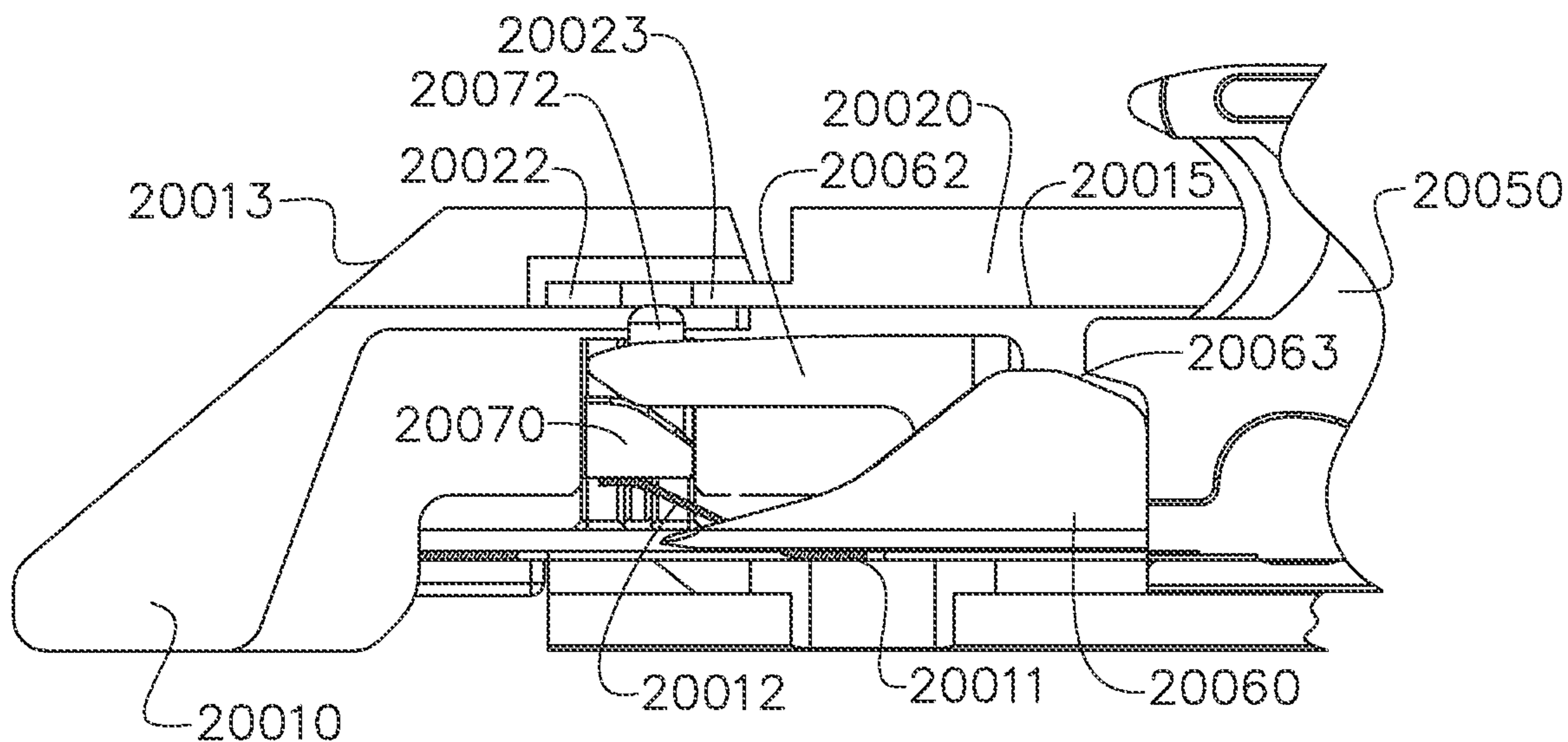


FIG. 77A

53/177



54/177

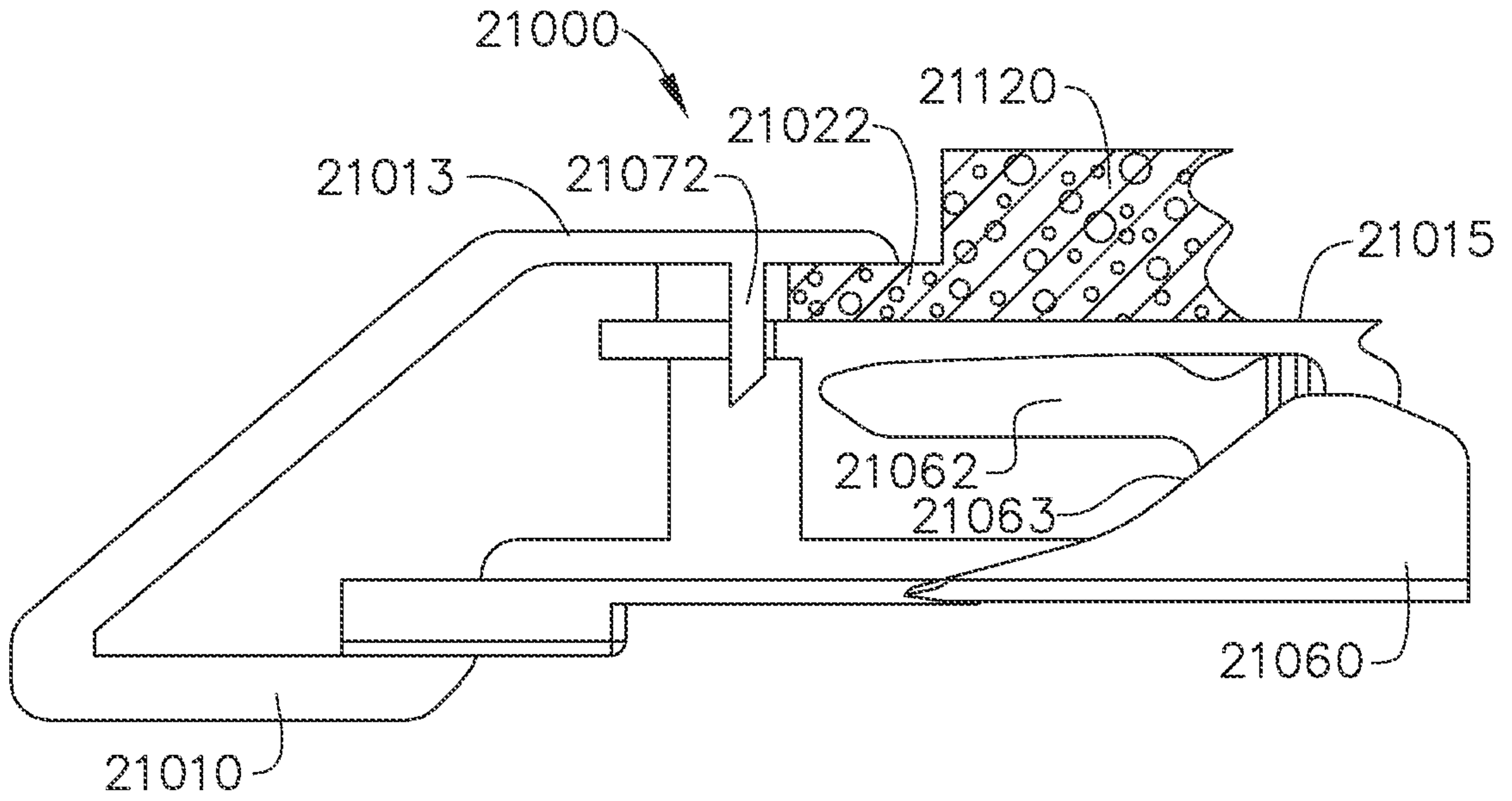


FIG. 80

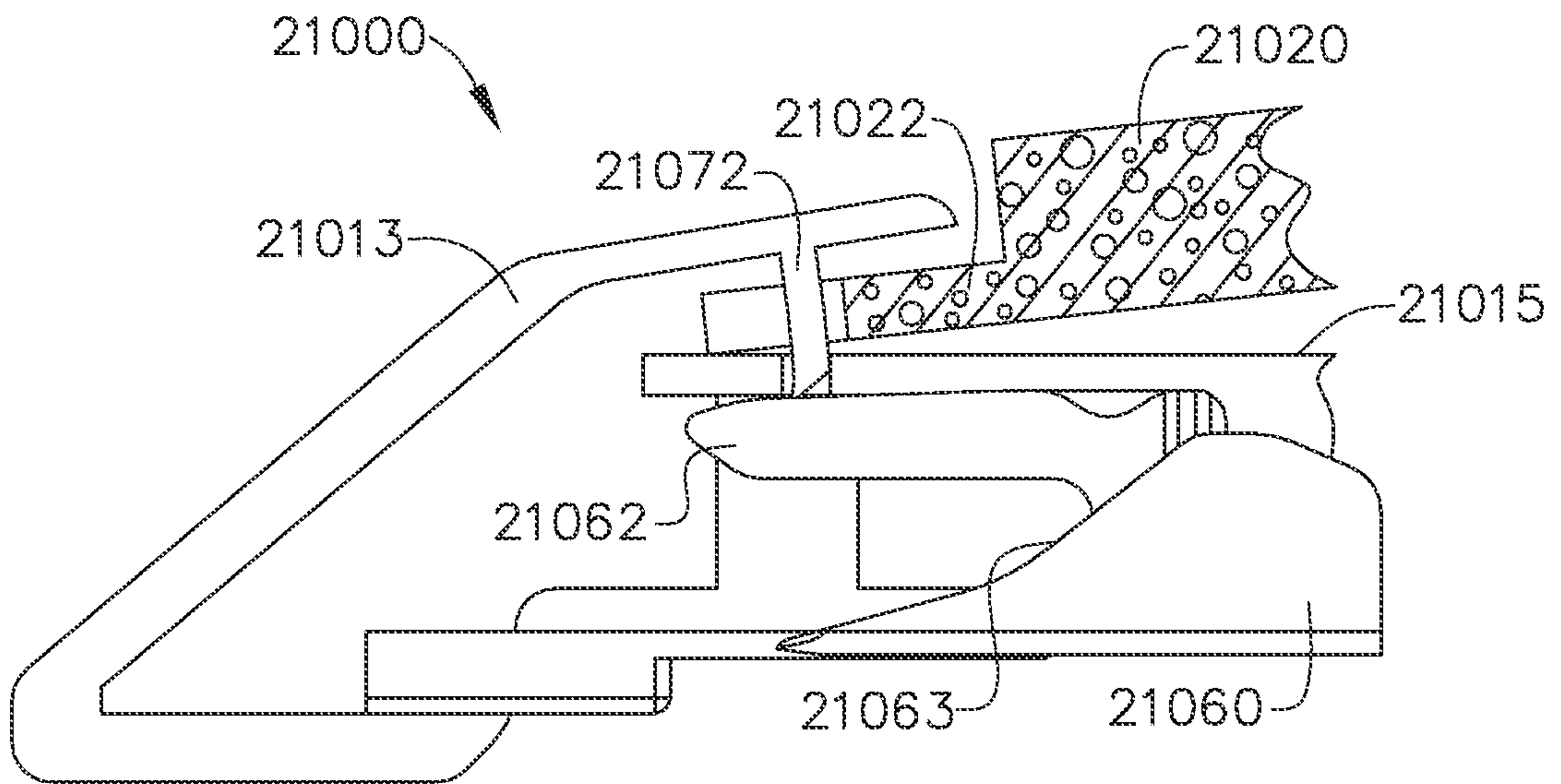


FIG. 81

55/177

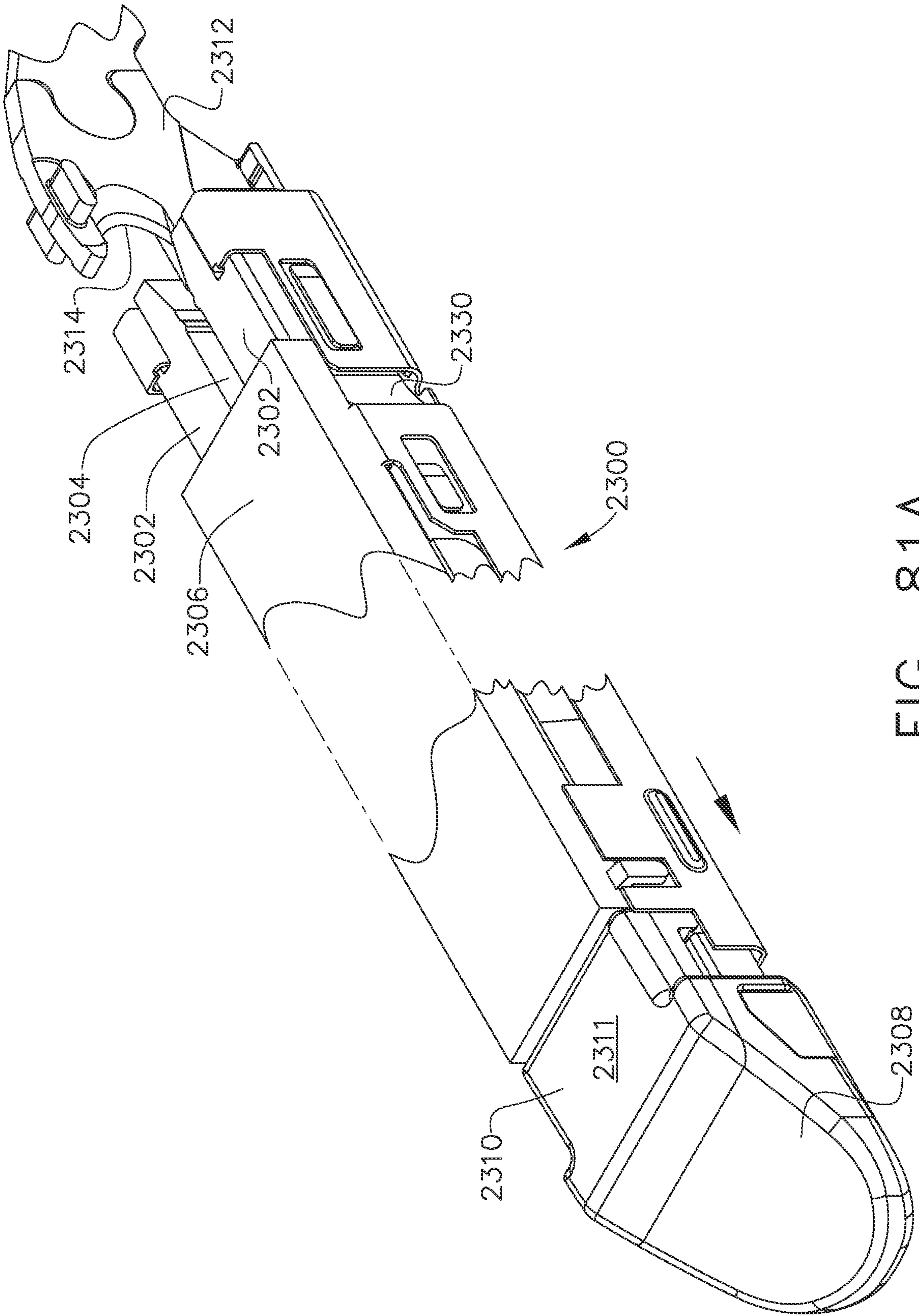


FIG. 81A



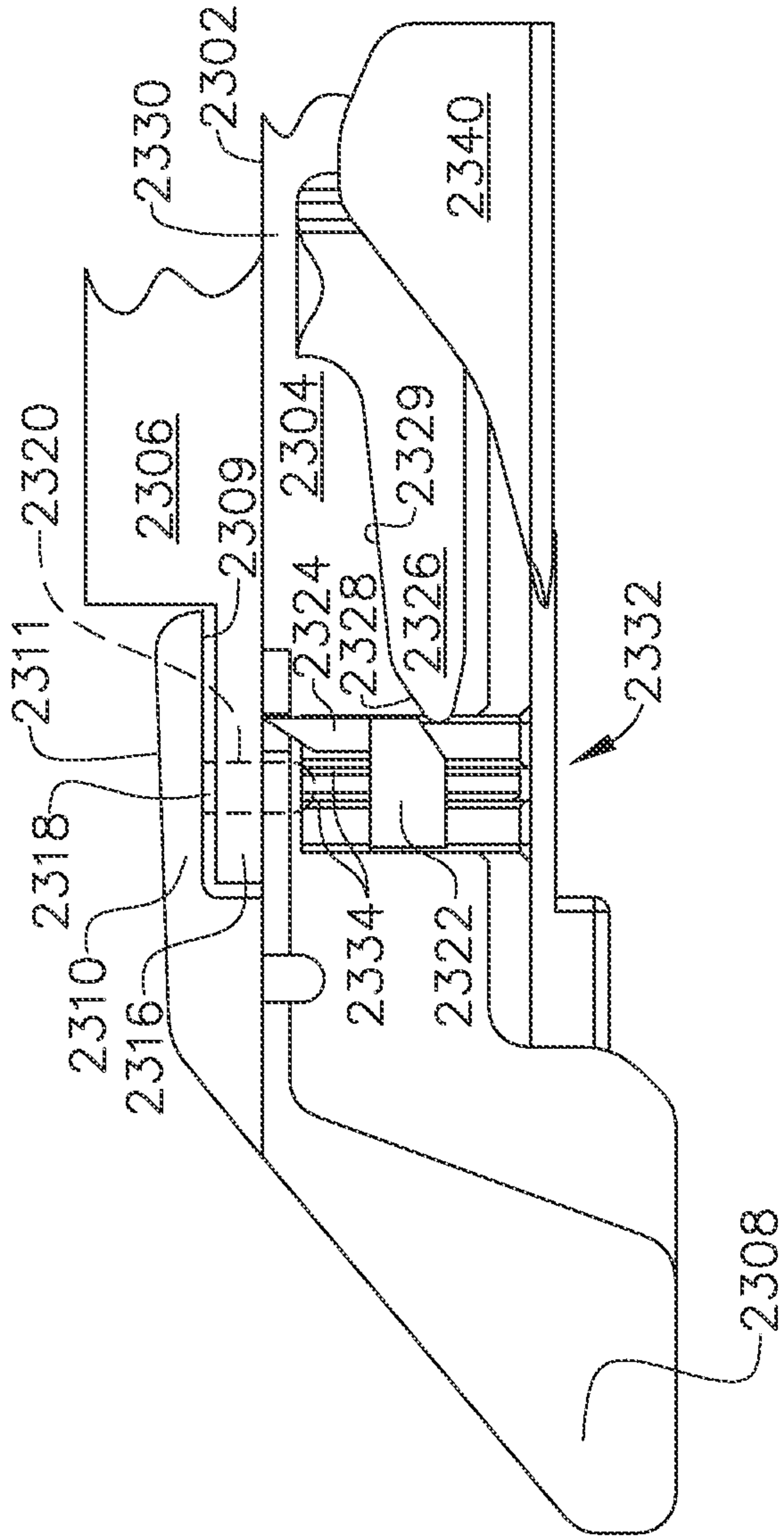


FIG. 82

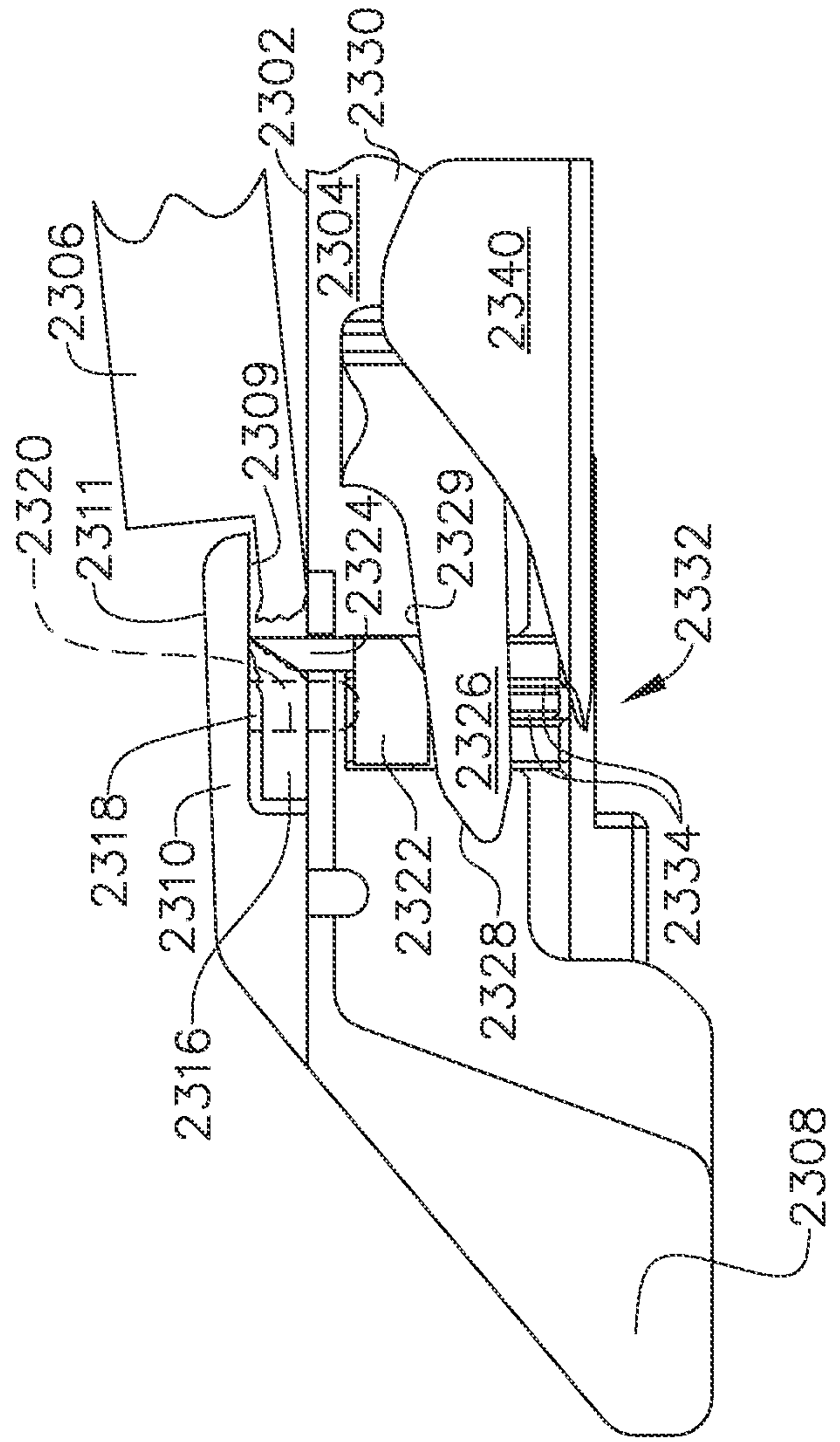


FIG. 83

57/177

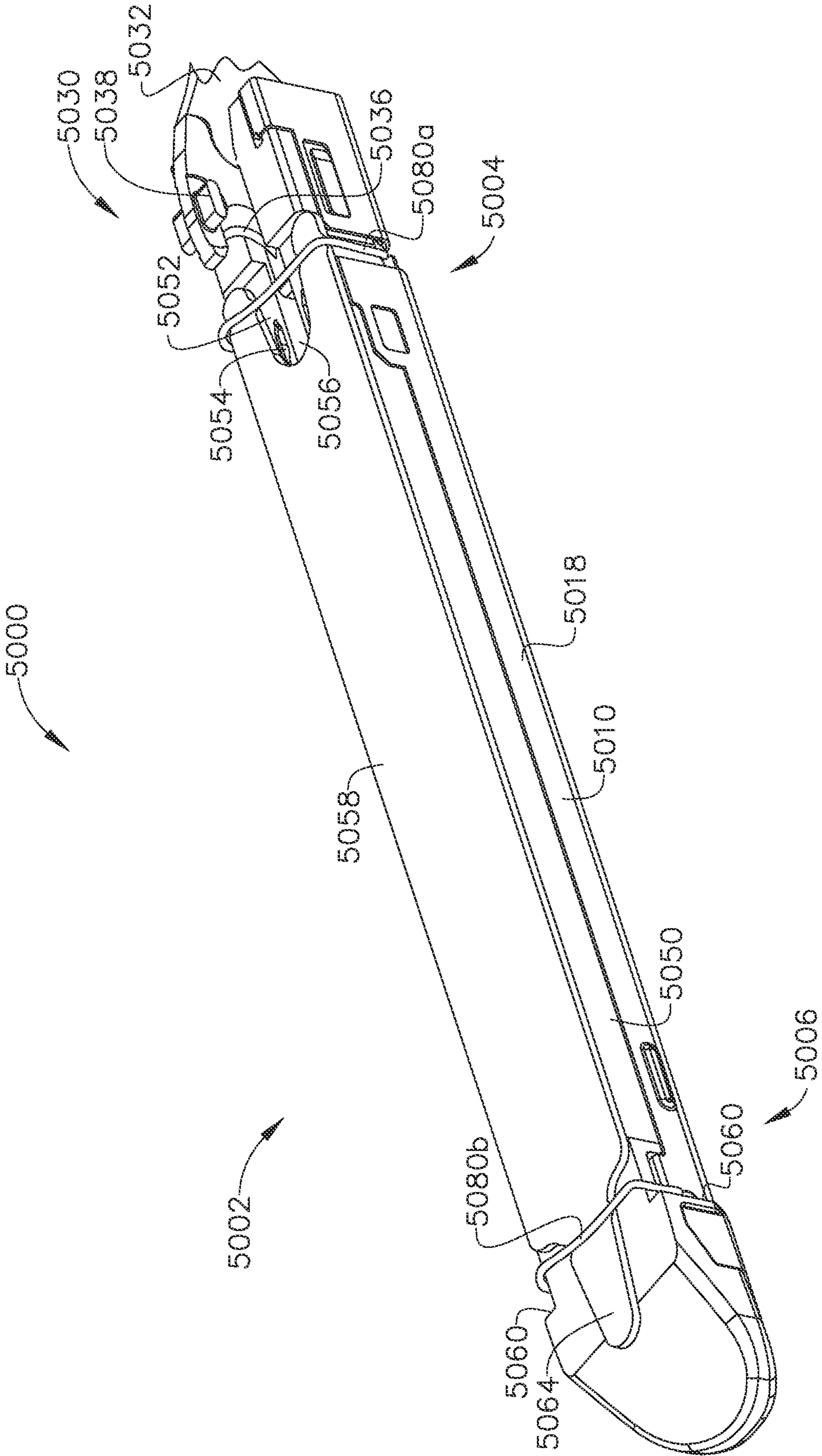


FIG. 84

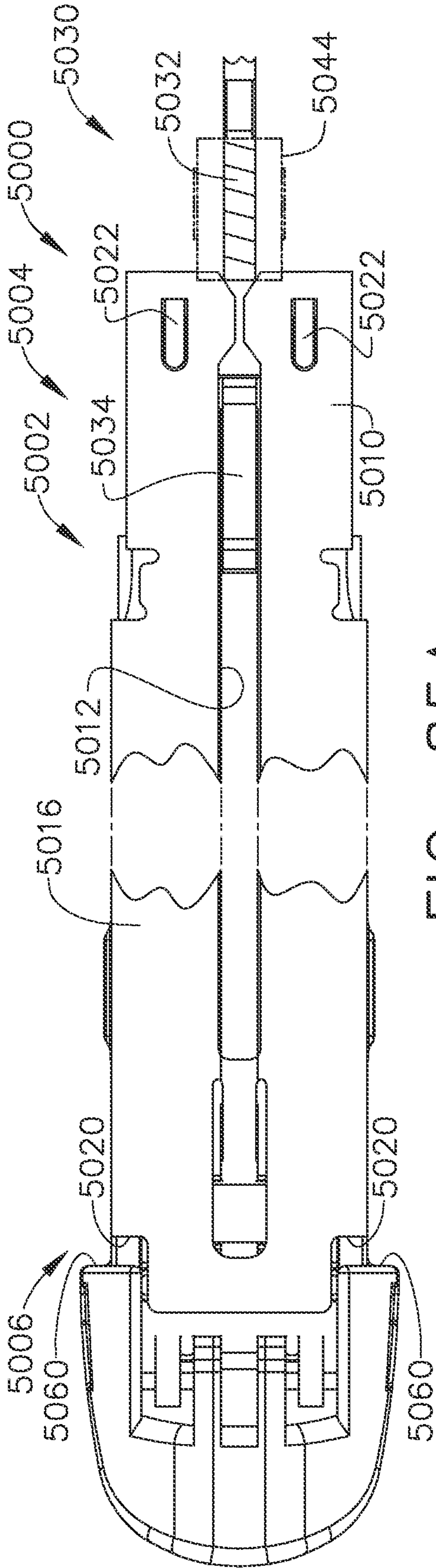


FIG. 85A

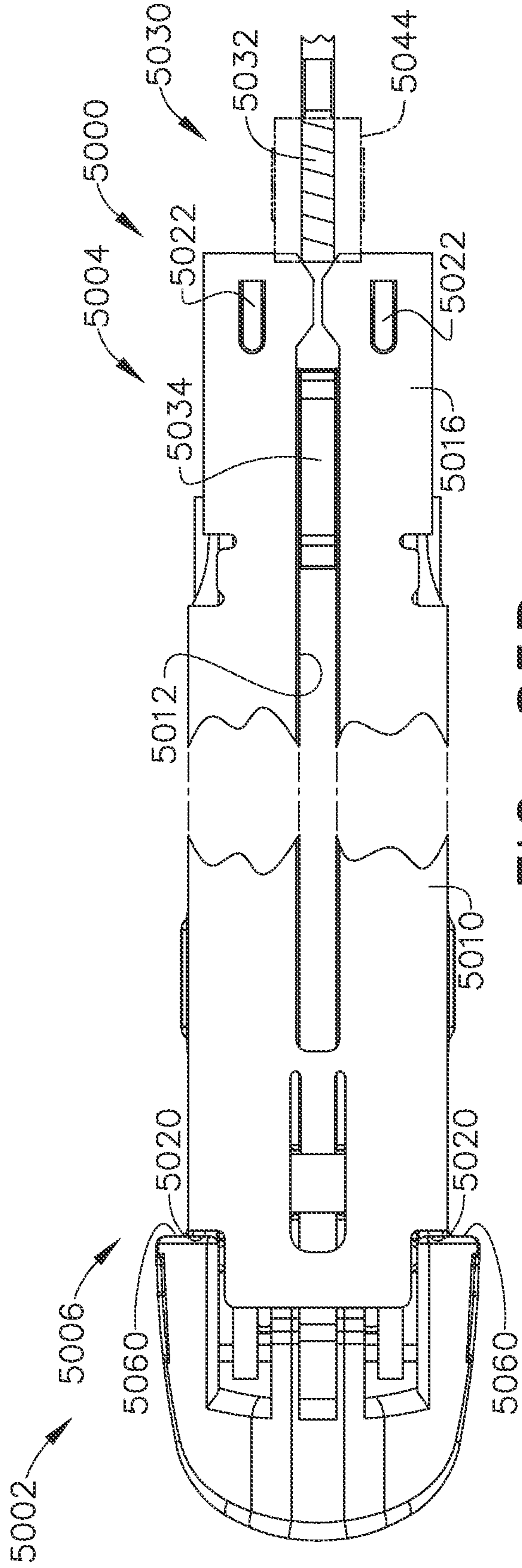


FIG. 85B

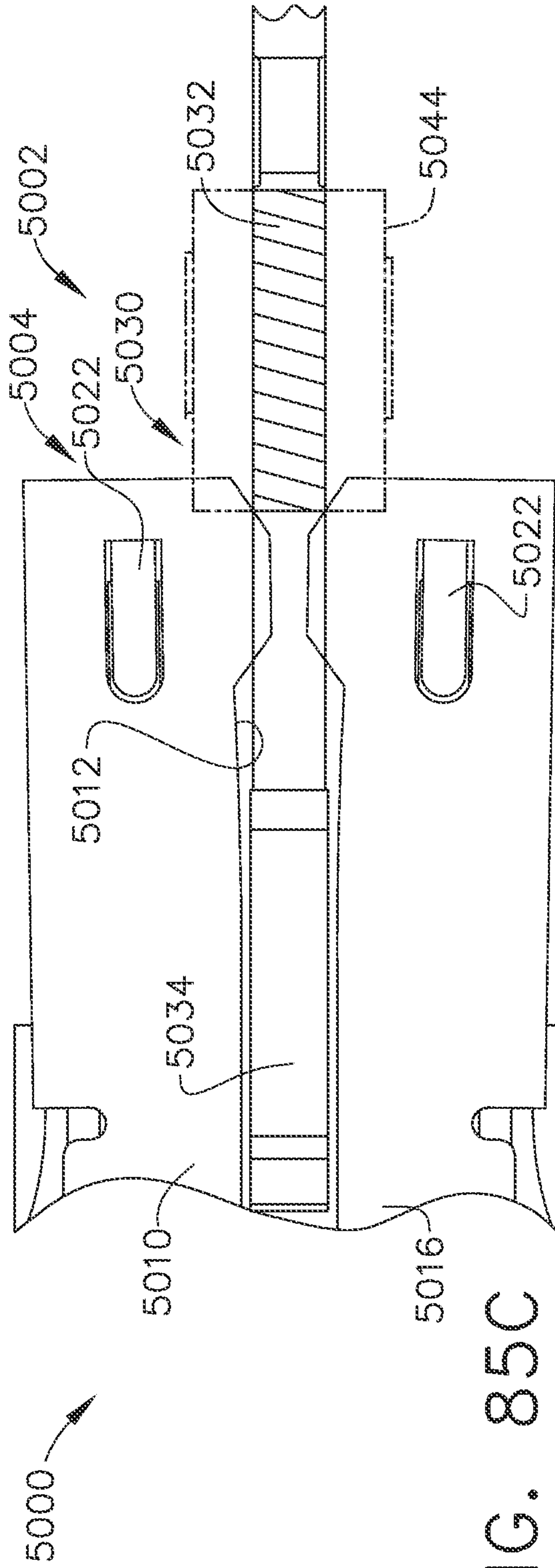


FIG. 85C

60/177

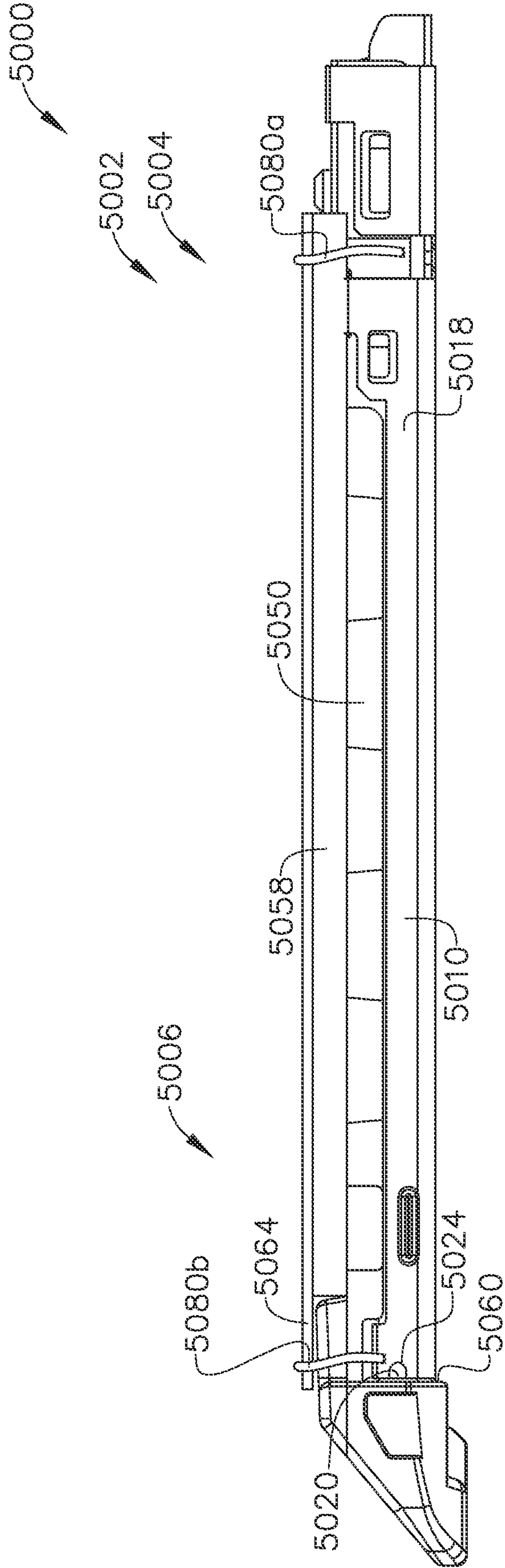


FIG. 85D

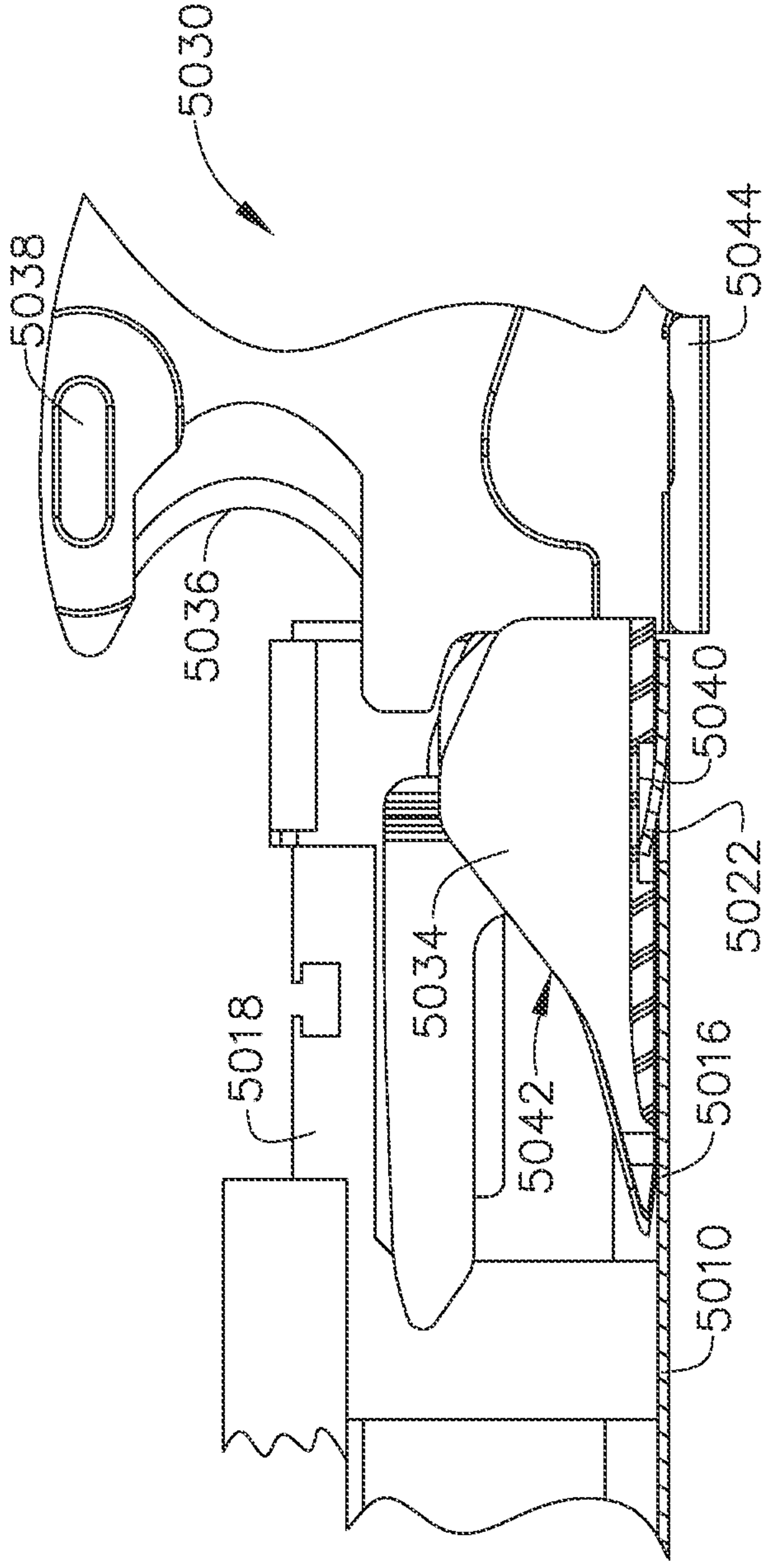


FIG. 86

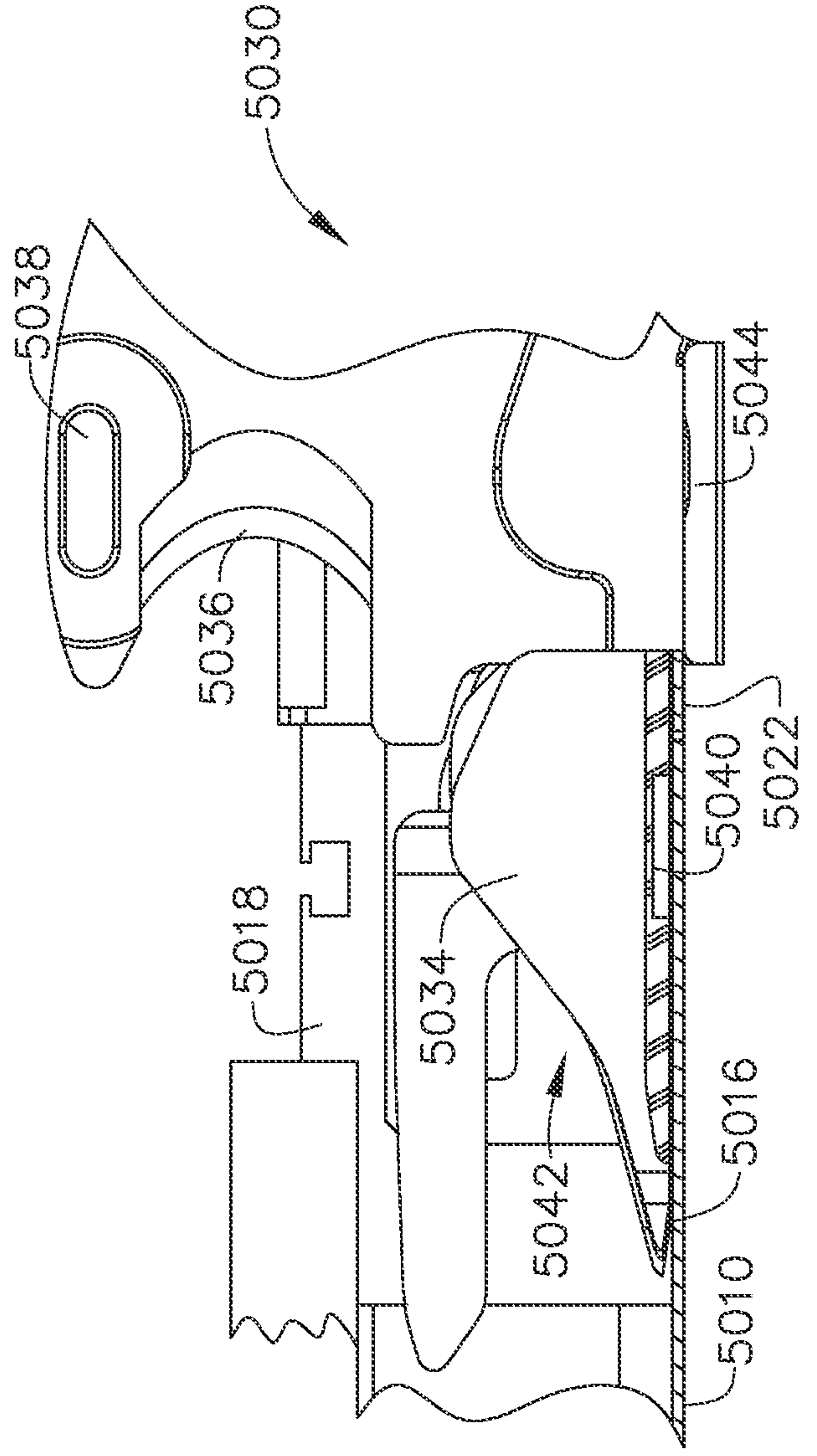


FIG. 87

62/177

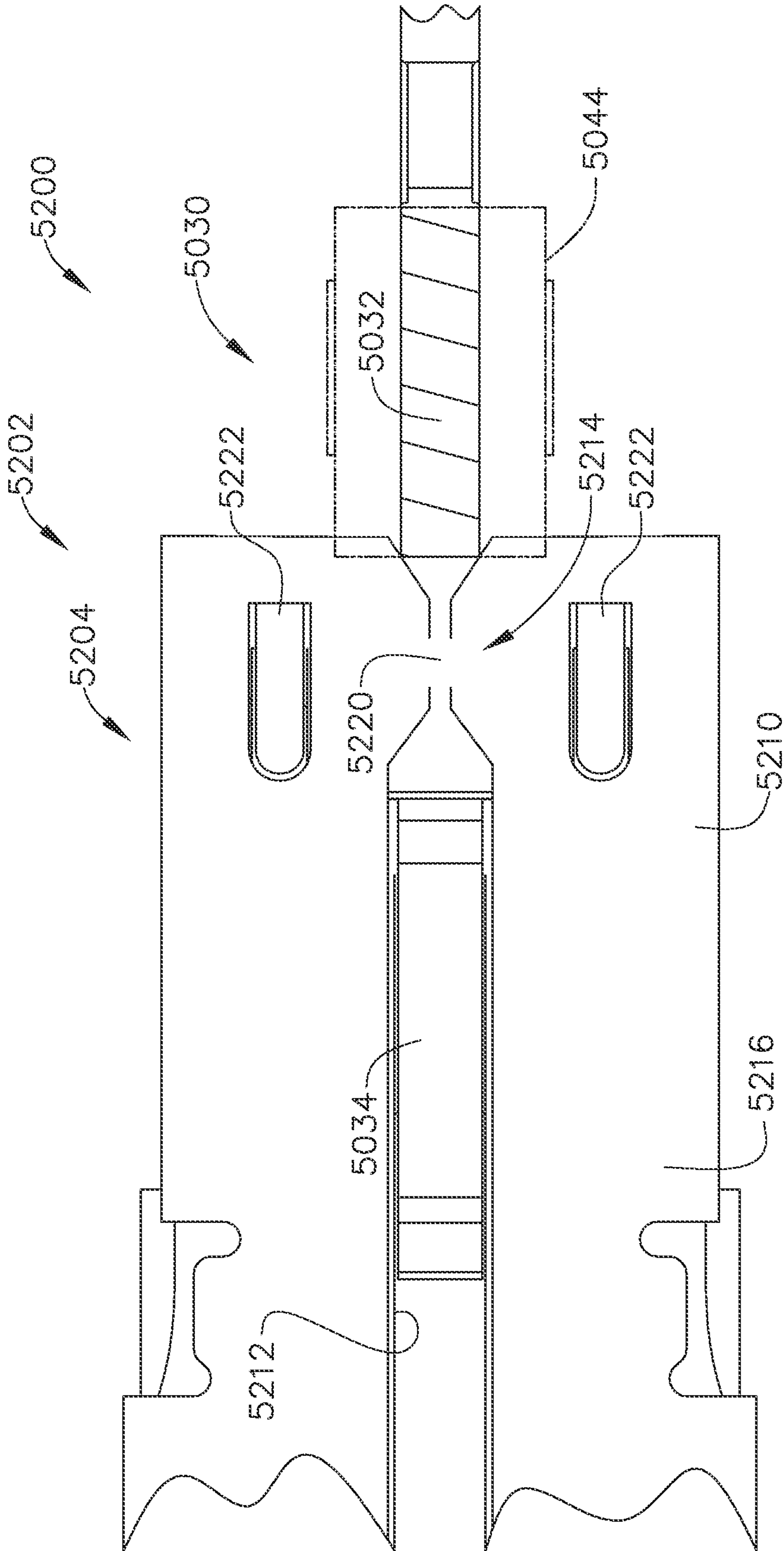


FIG. 87A

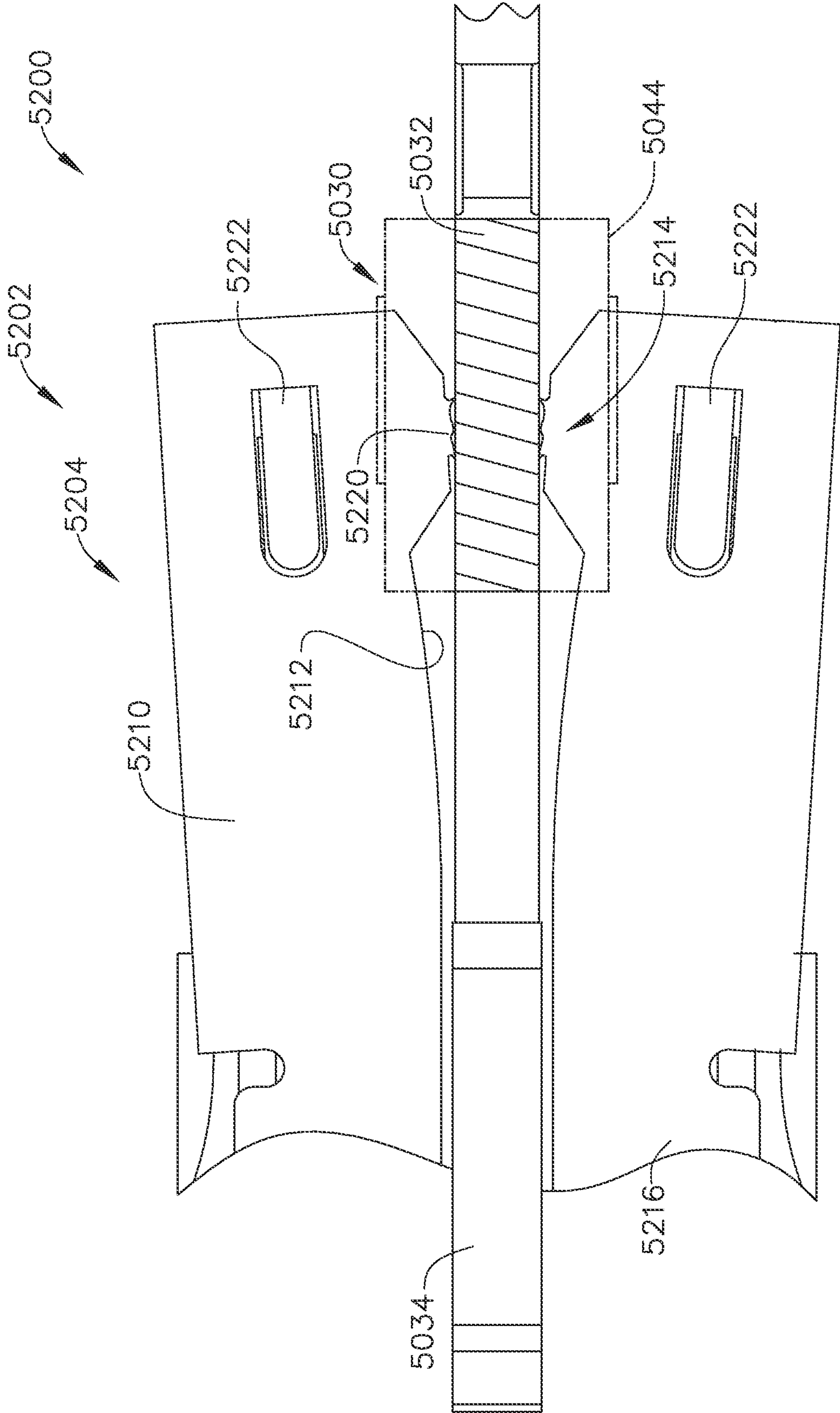


FIG. 87B



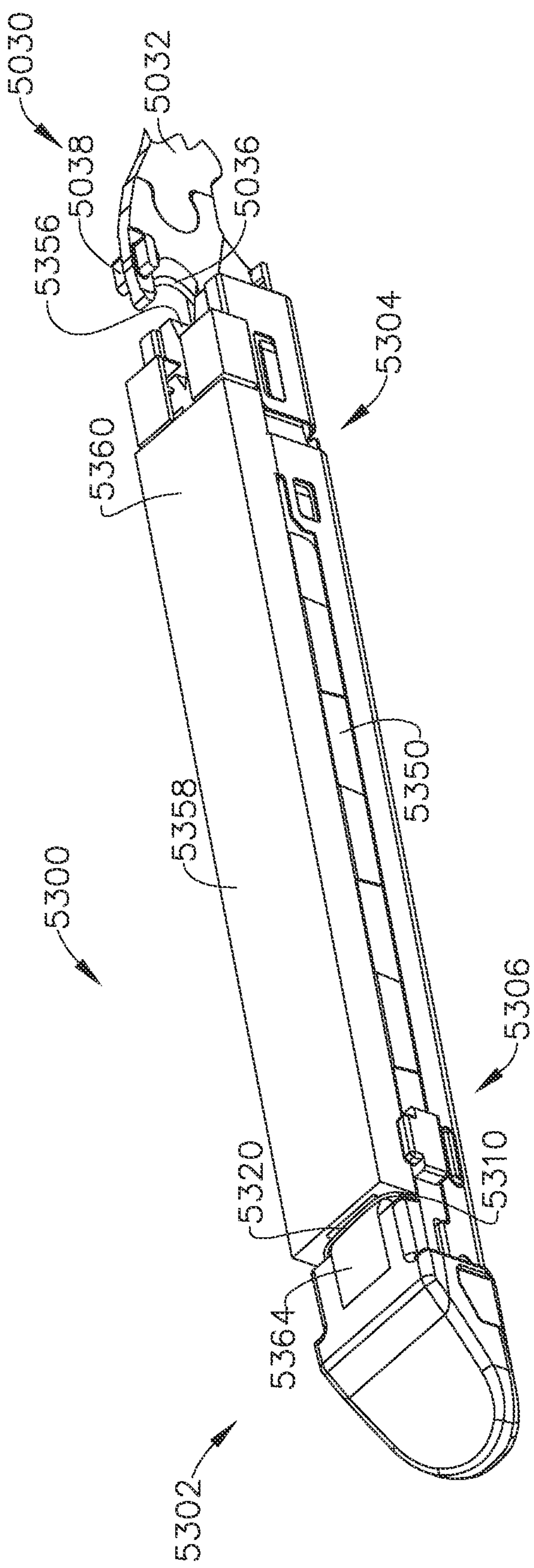


FIG. 88

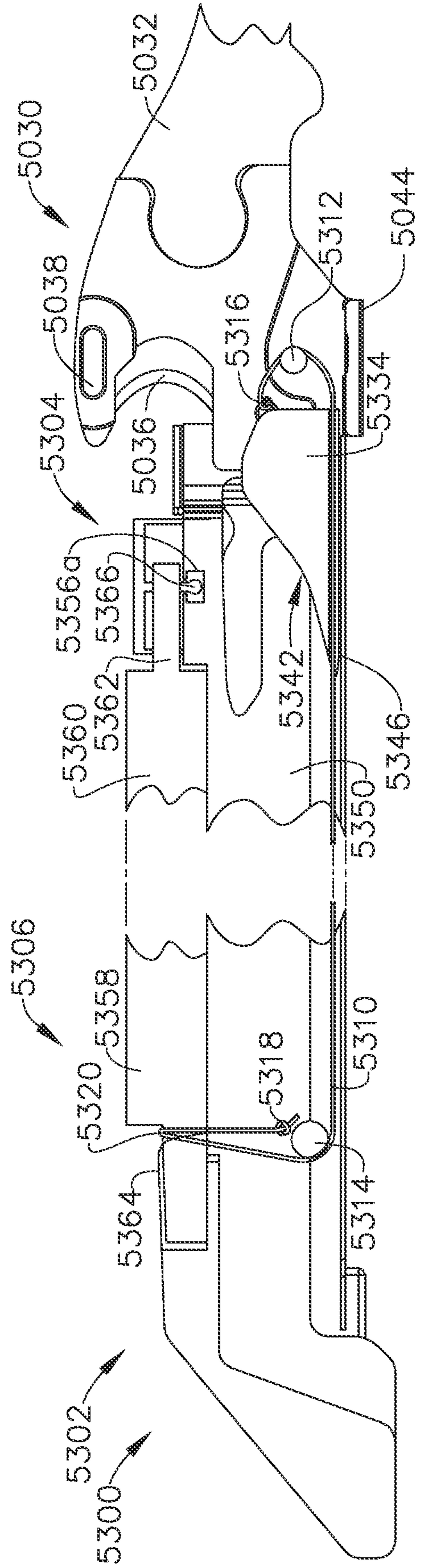


FIG. 89

65/177

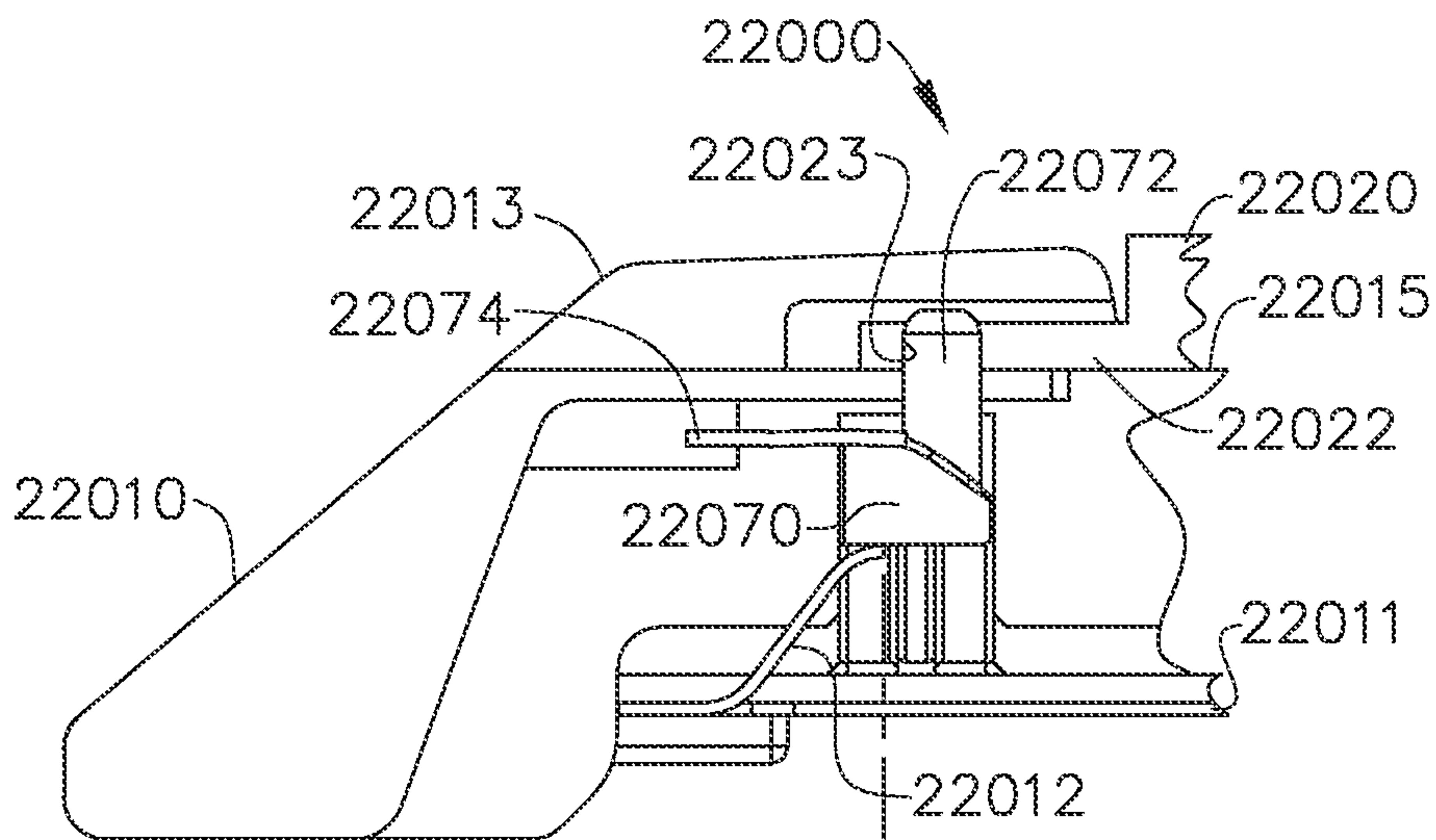


FIG. 90

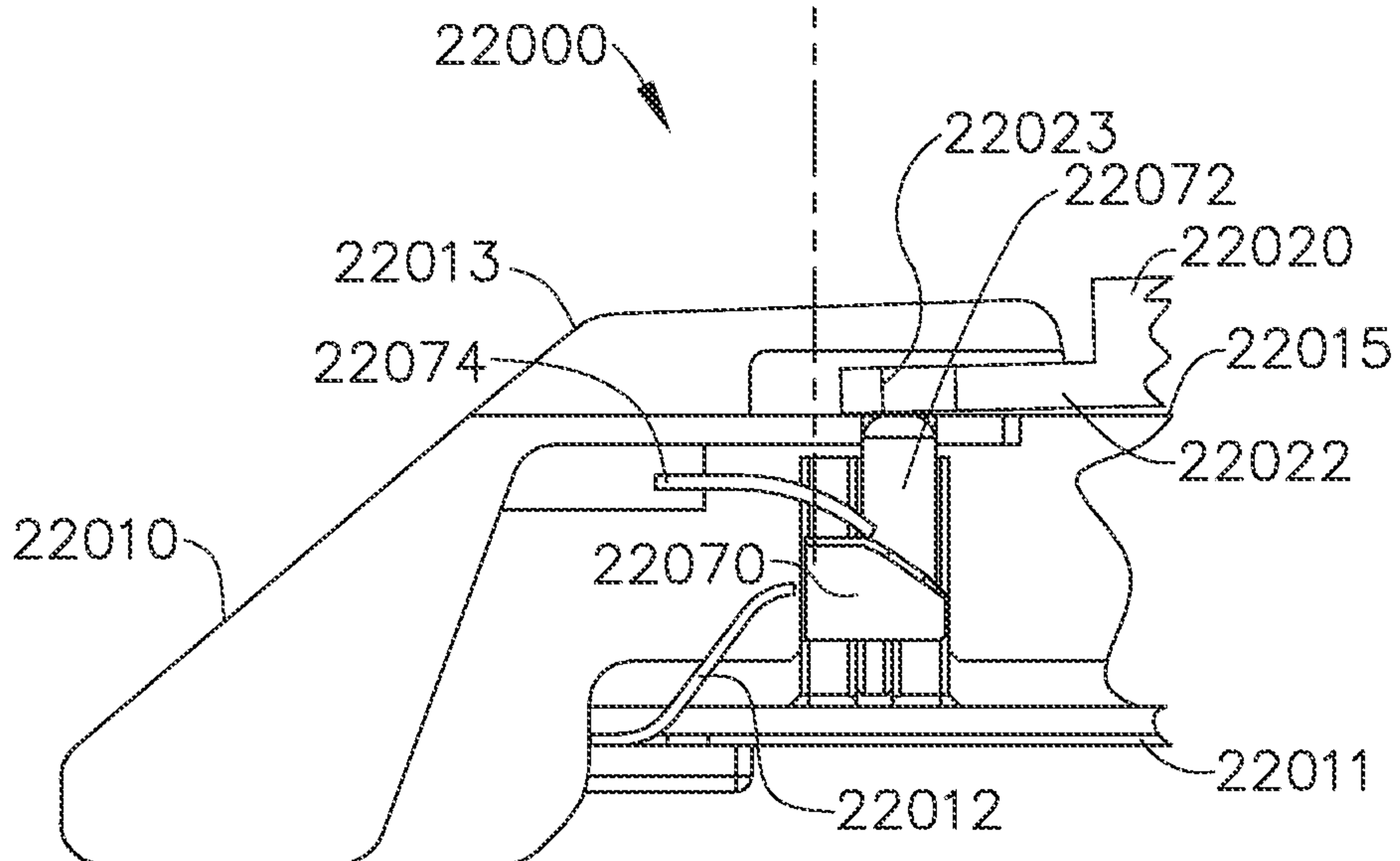


FIG. 91

66/177

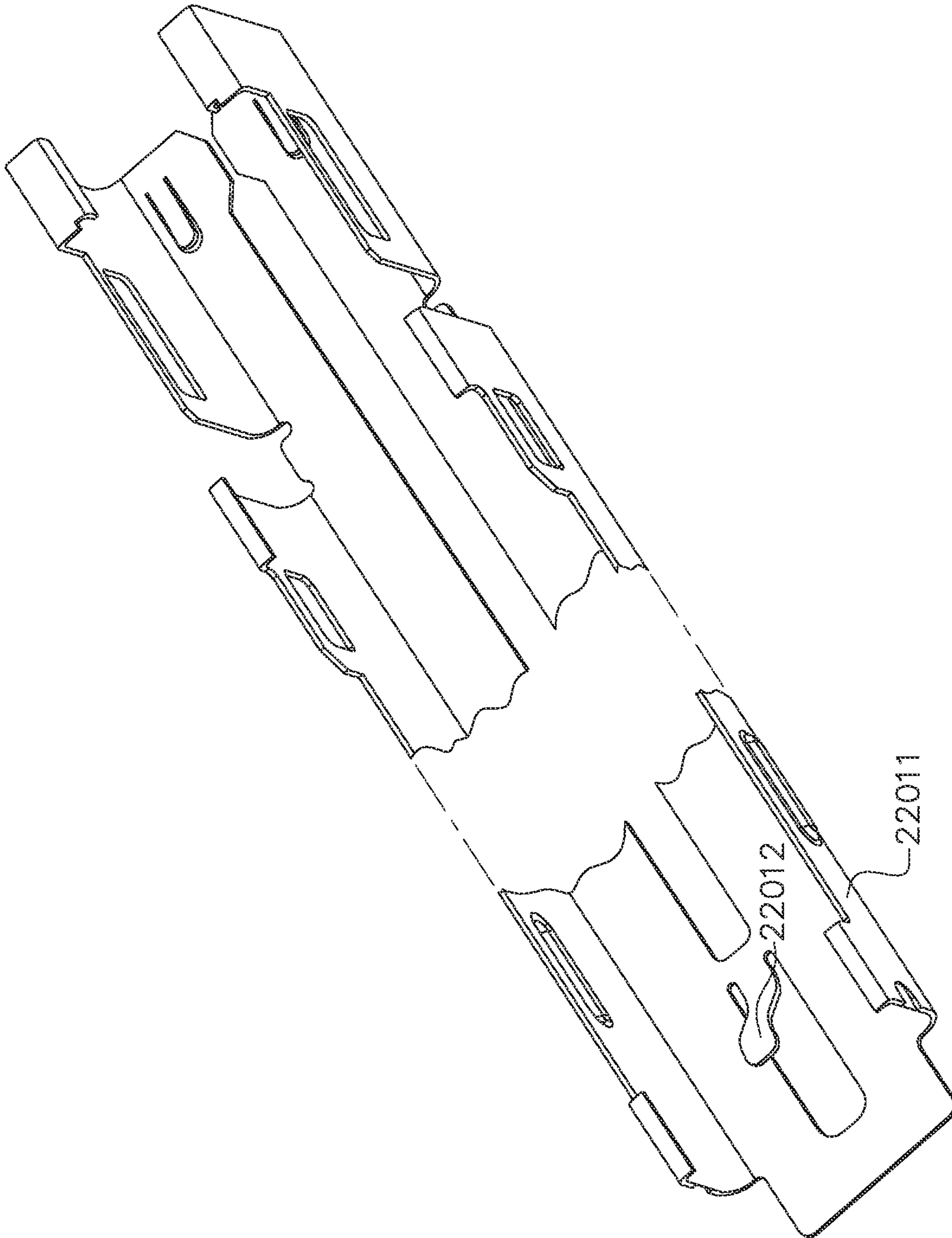


FIG. 92

67/177

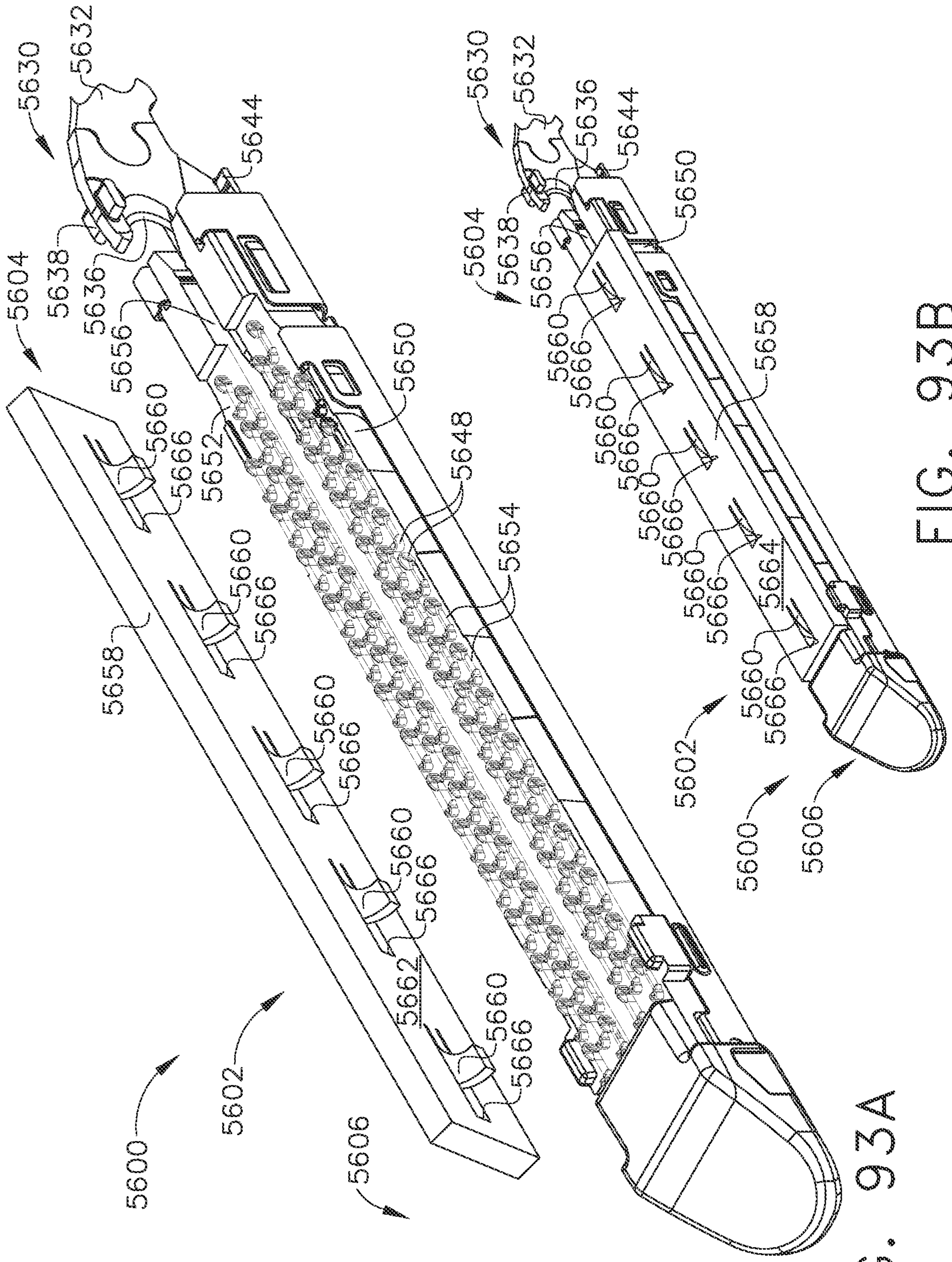


FIG. 93A

FIG. 93B

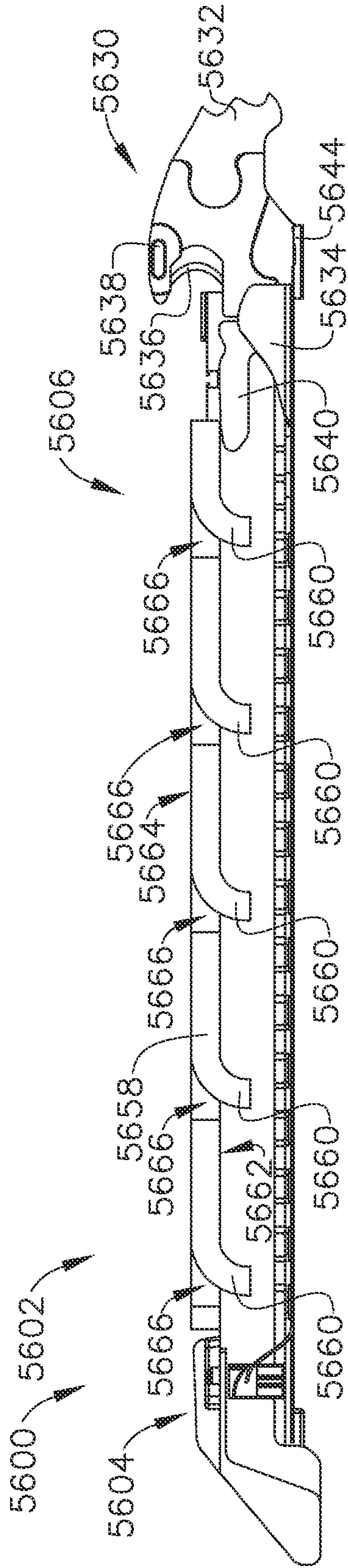


FIG. 93C

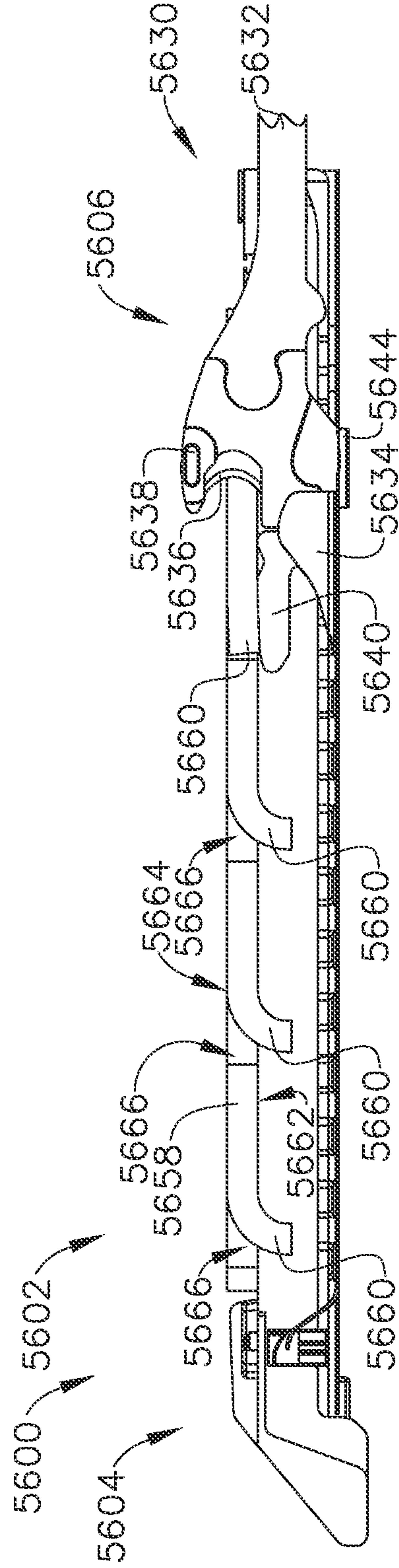


FIG. 93D

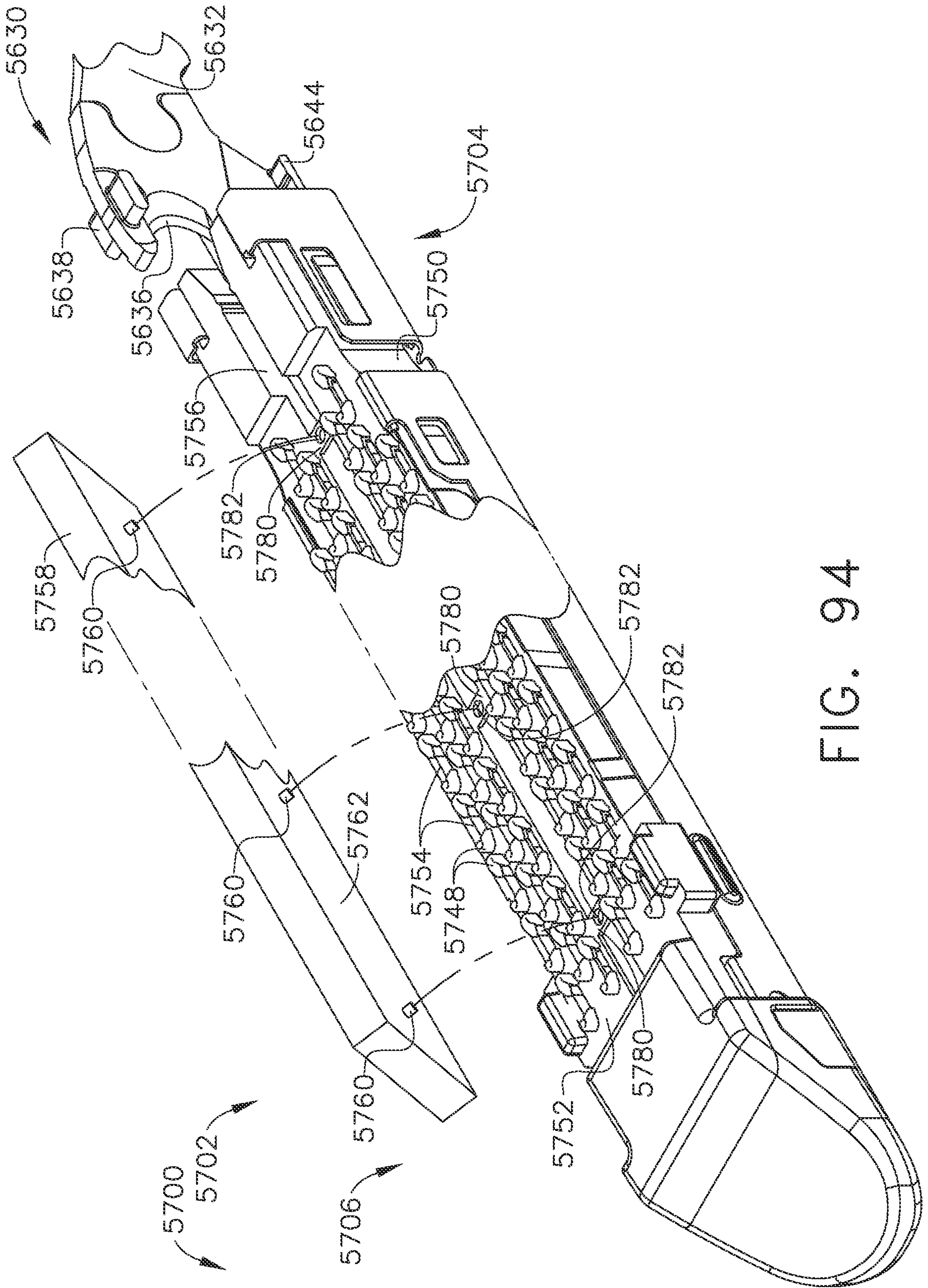


FIG. 94

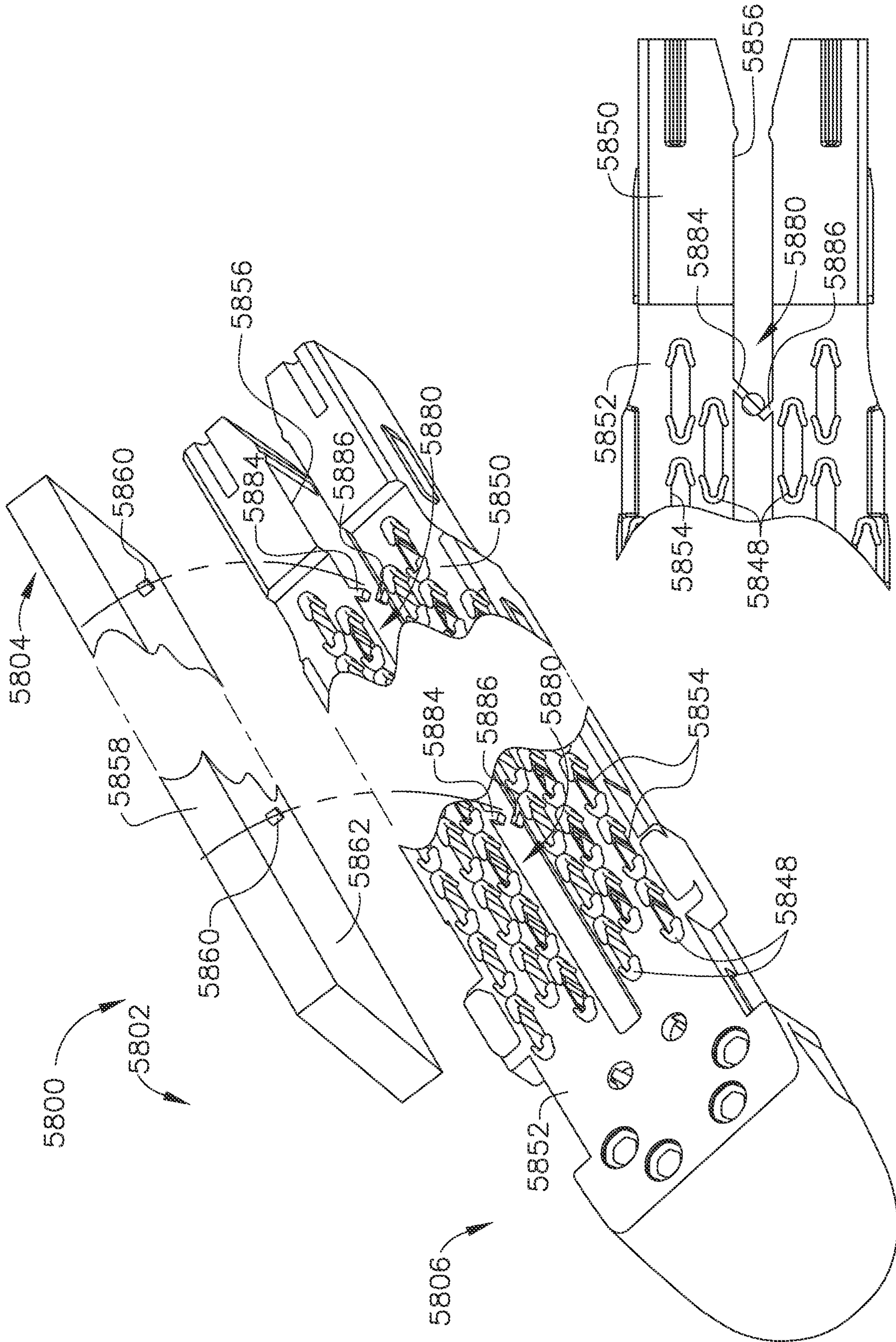


FIG. 95

FIG. 96

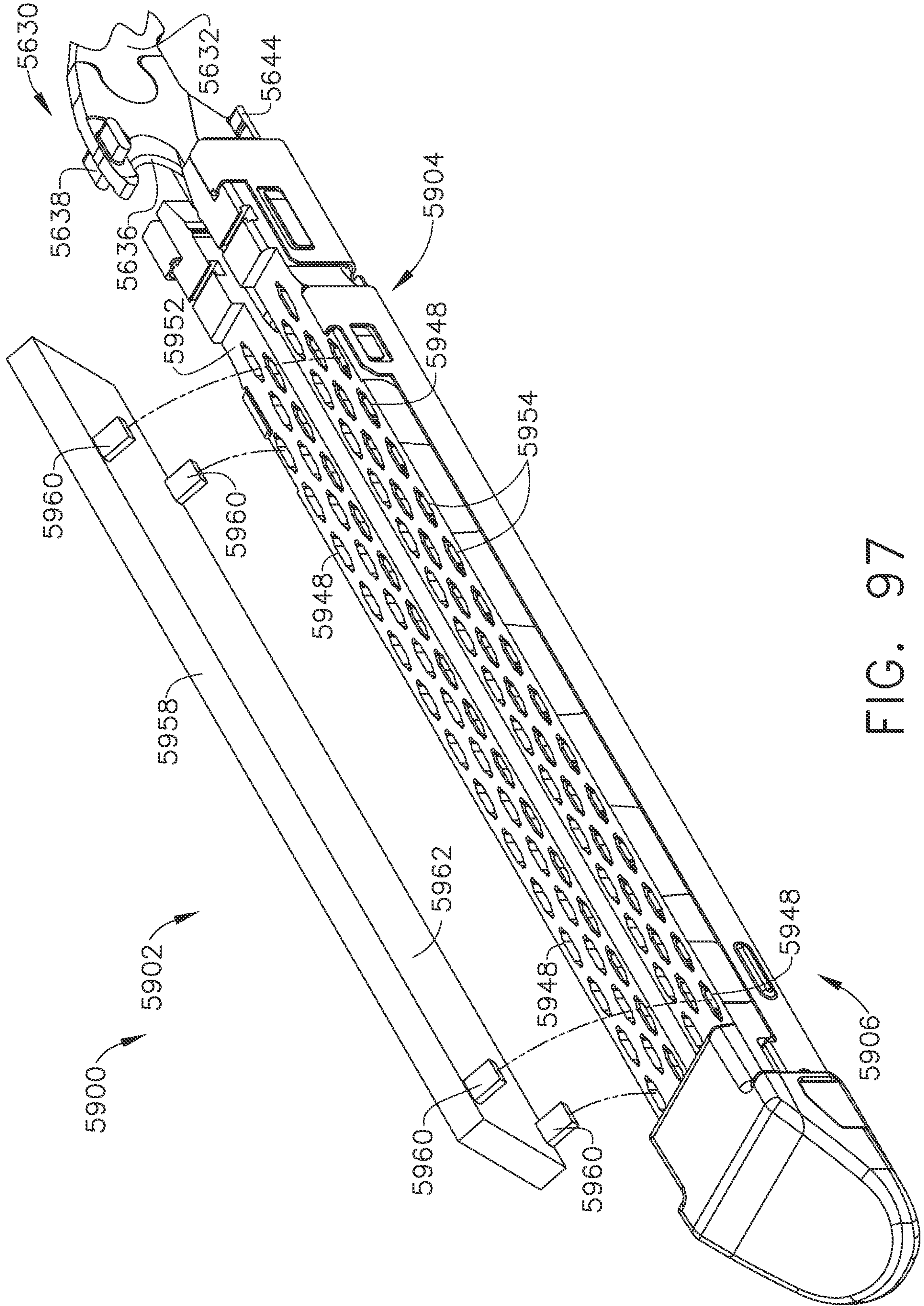


FIG. 97



72/177

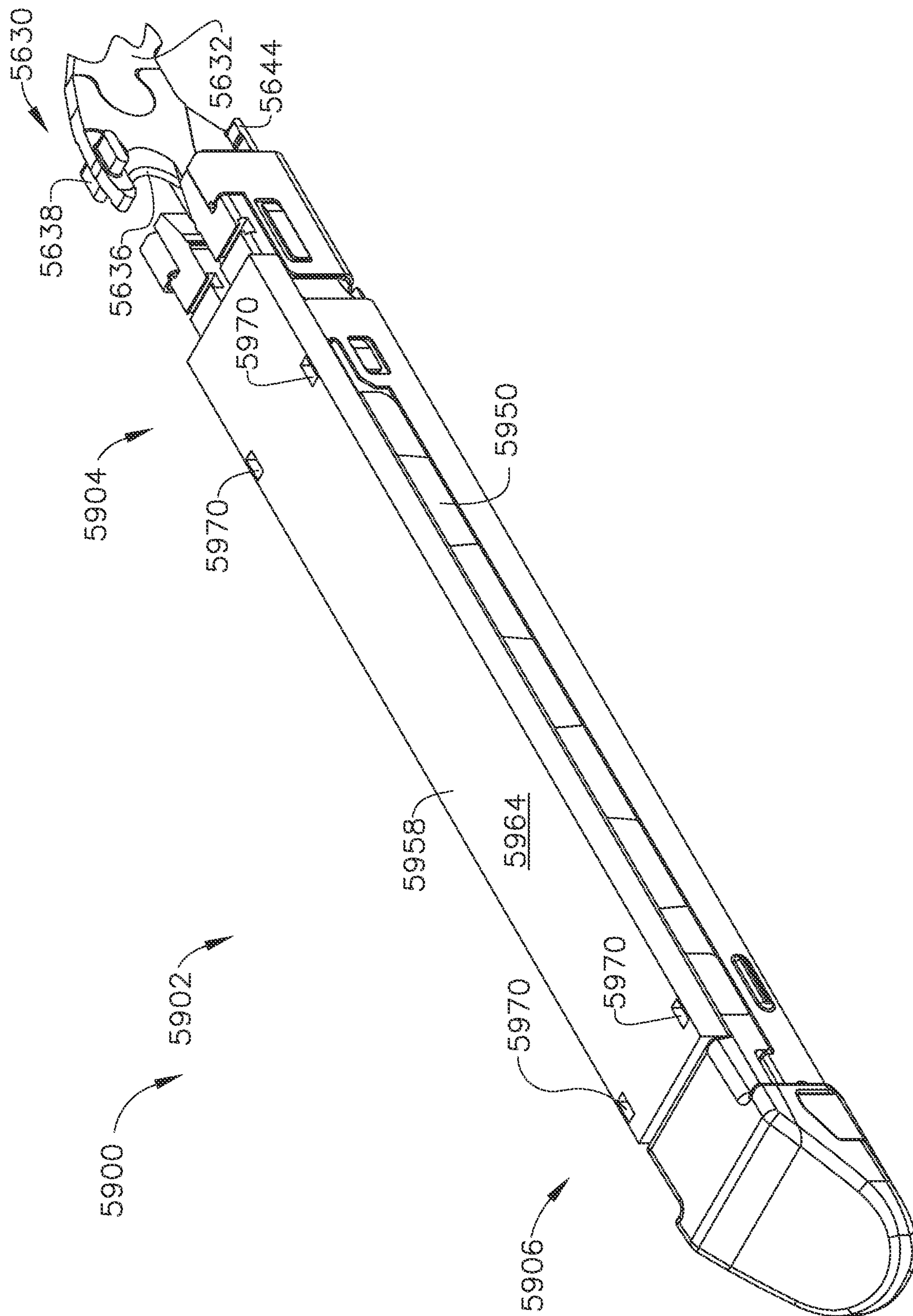


FIG. 98

73/177

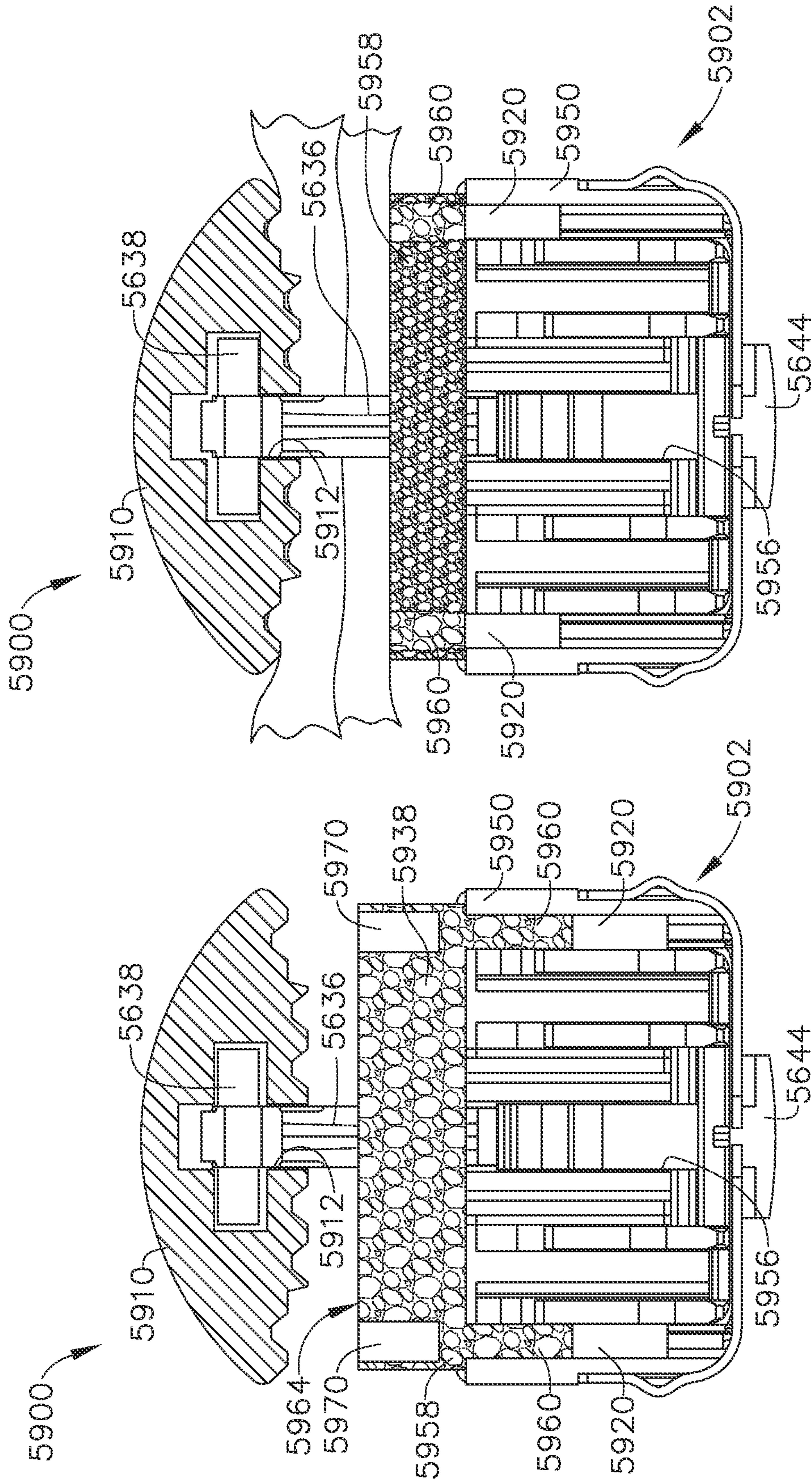


FIG. 99

FIG. 100

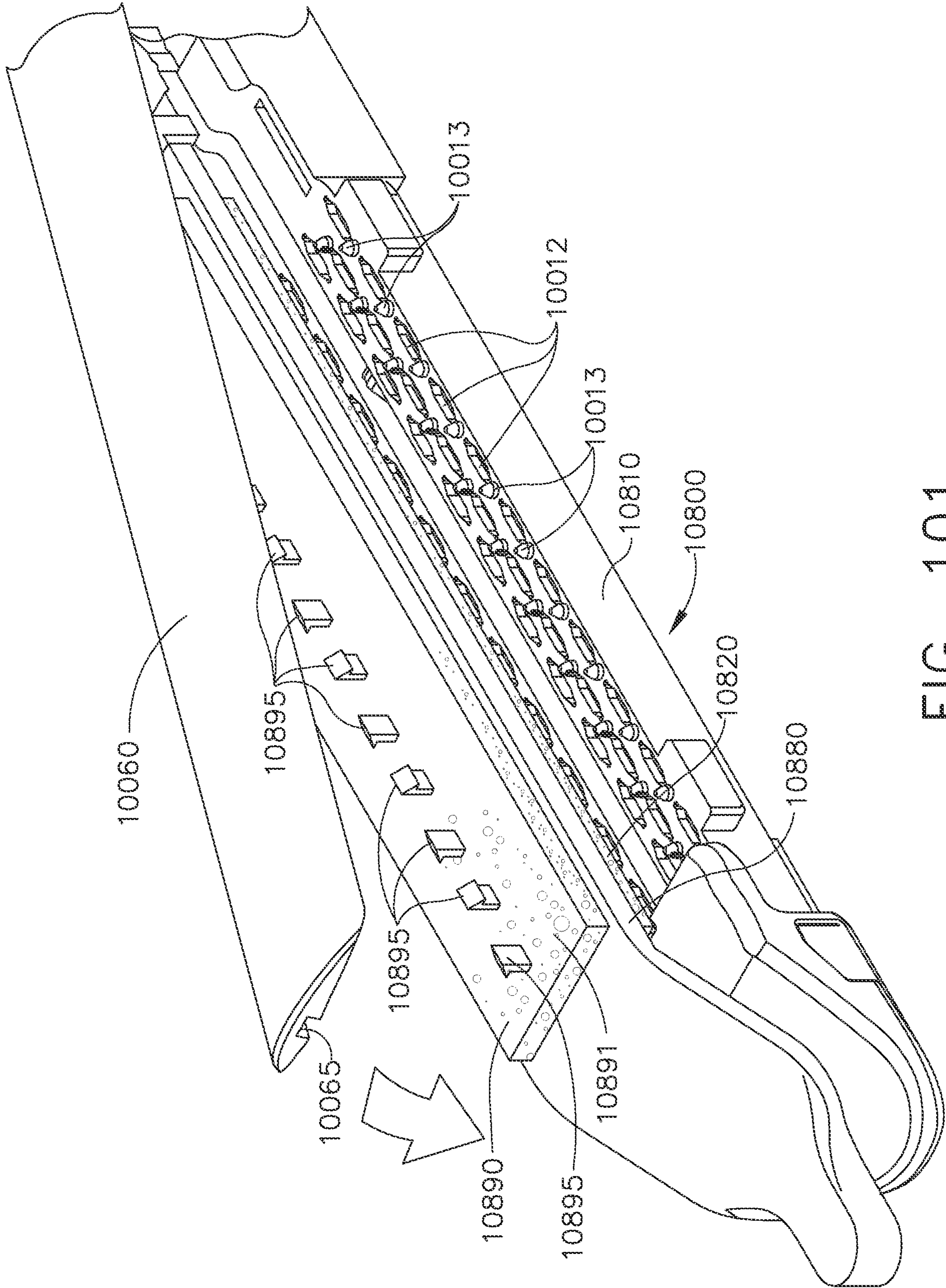


FIG. 101

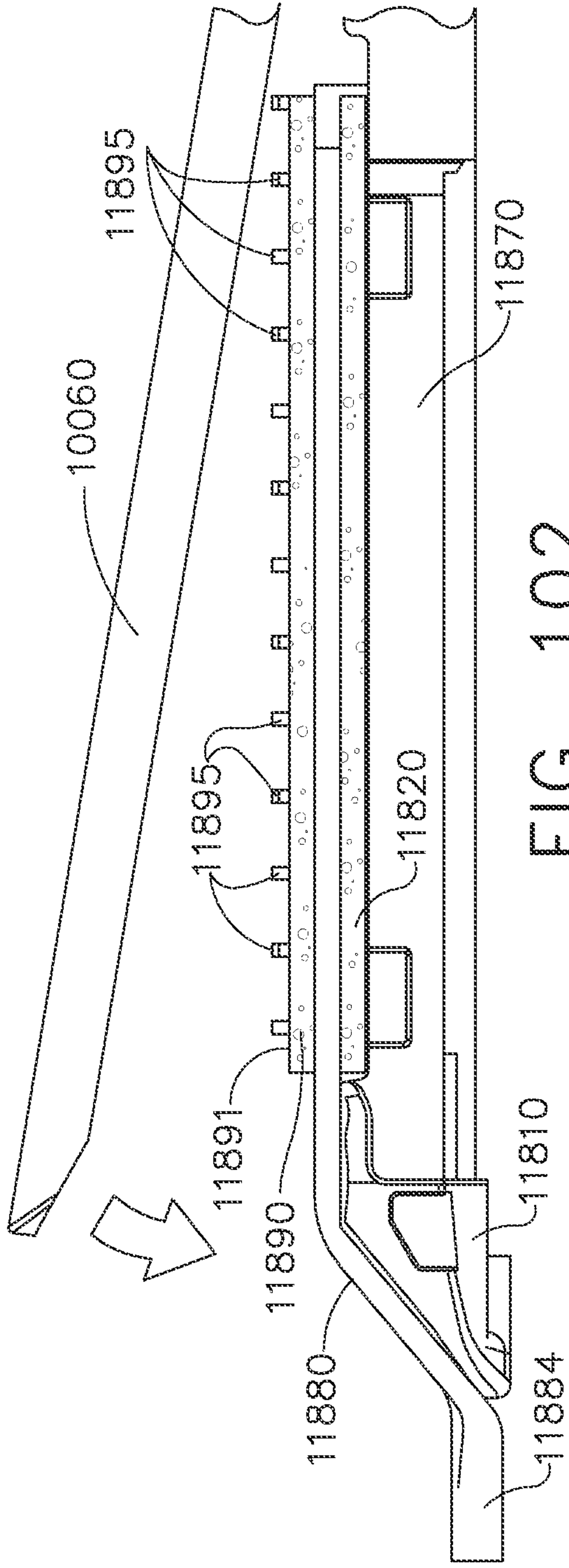


FIG. 102

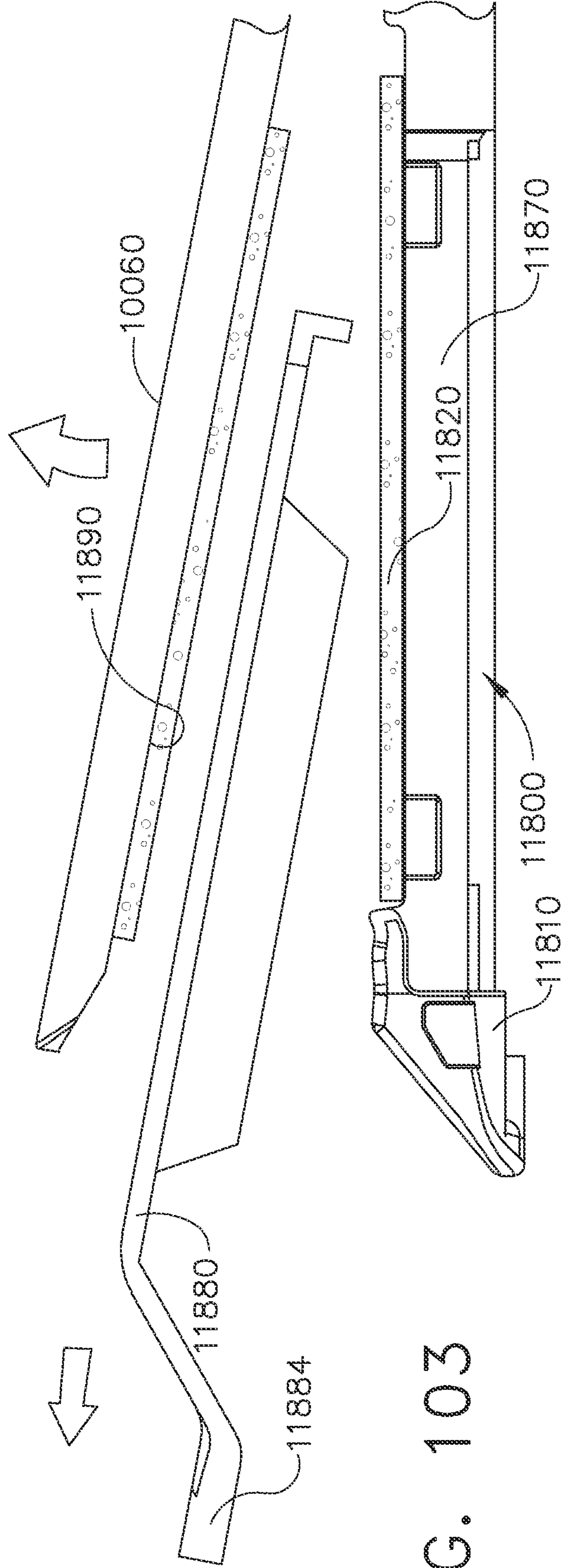


FIG. 103

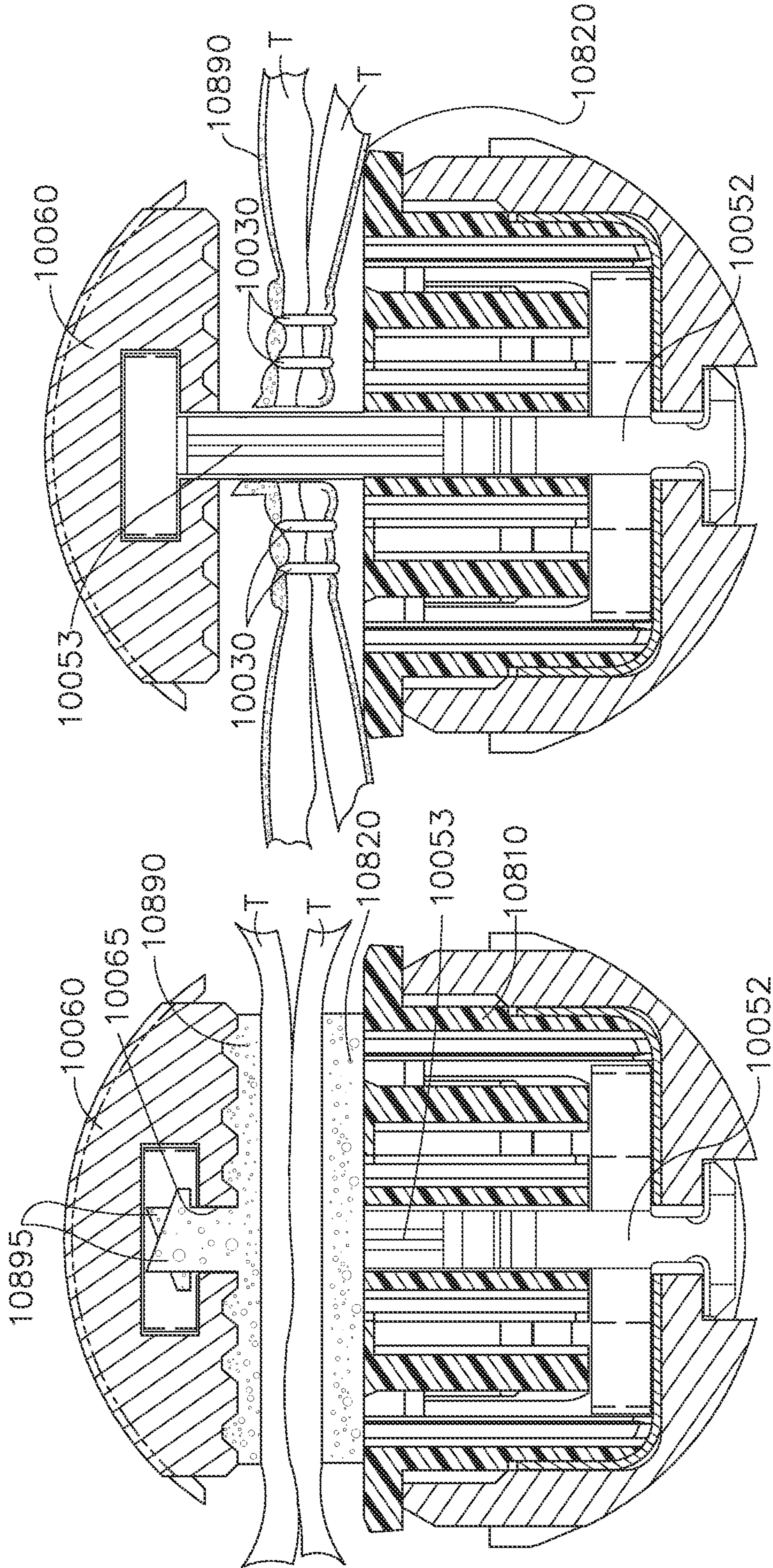


FIG. 105

FIG. 104

77/177

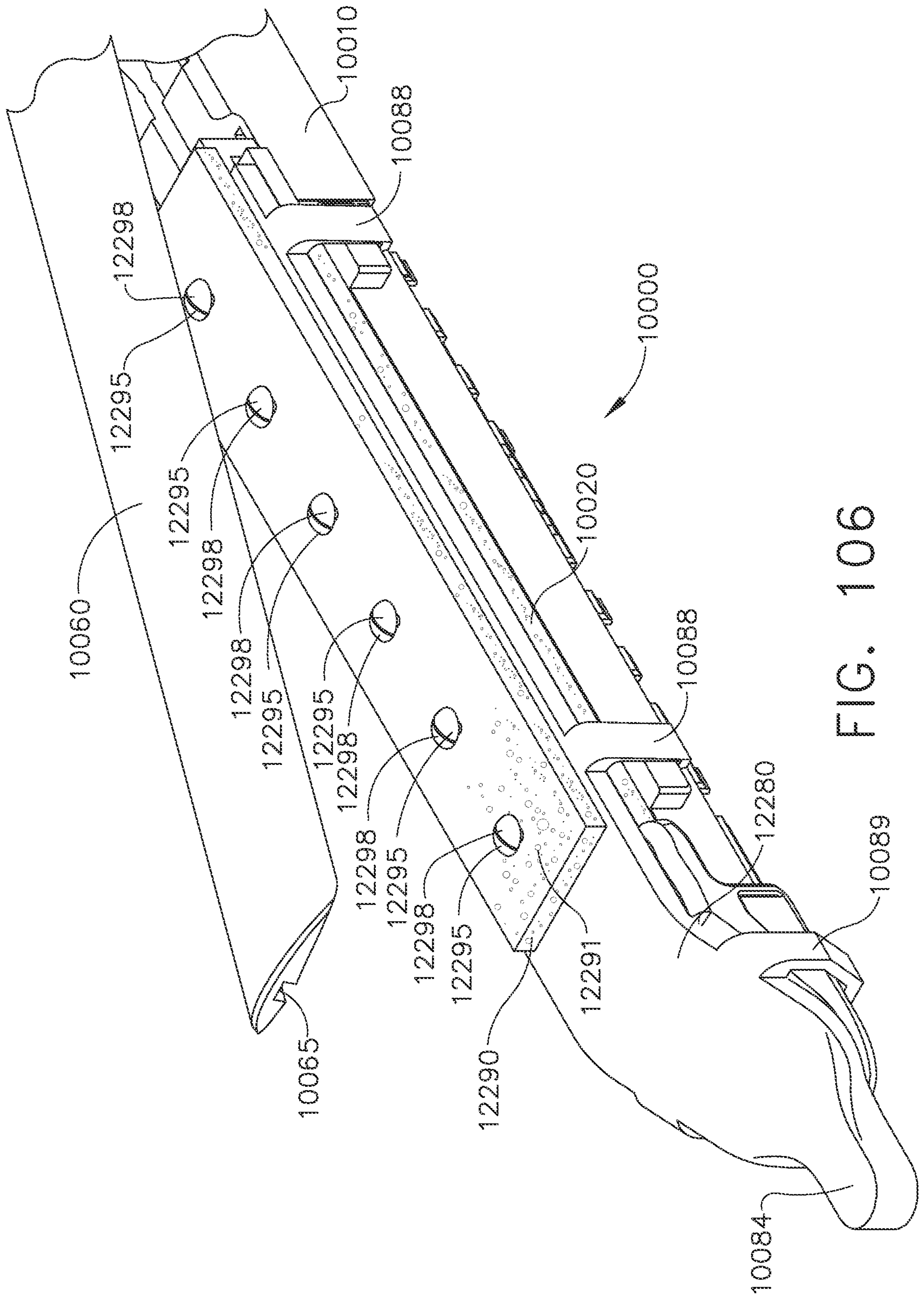


FIG. 106

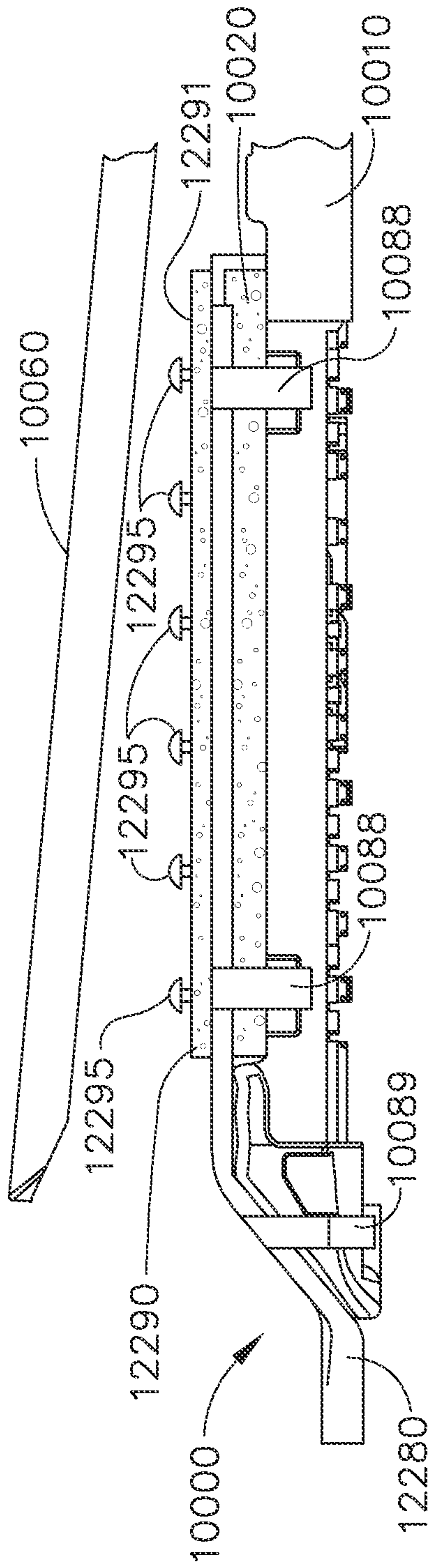


FIG. 106A

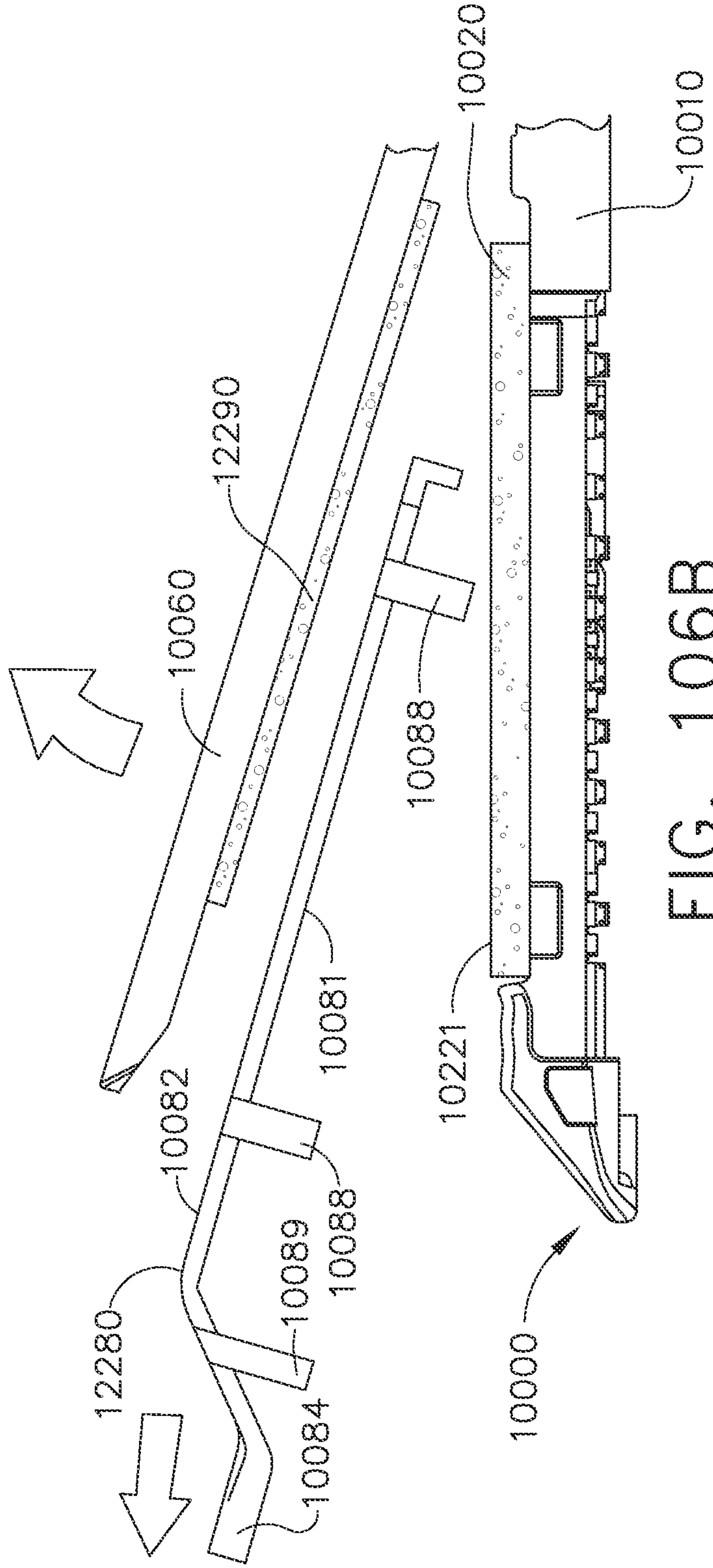


FIG. 106B

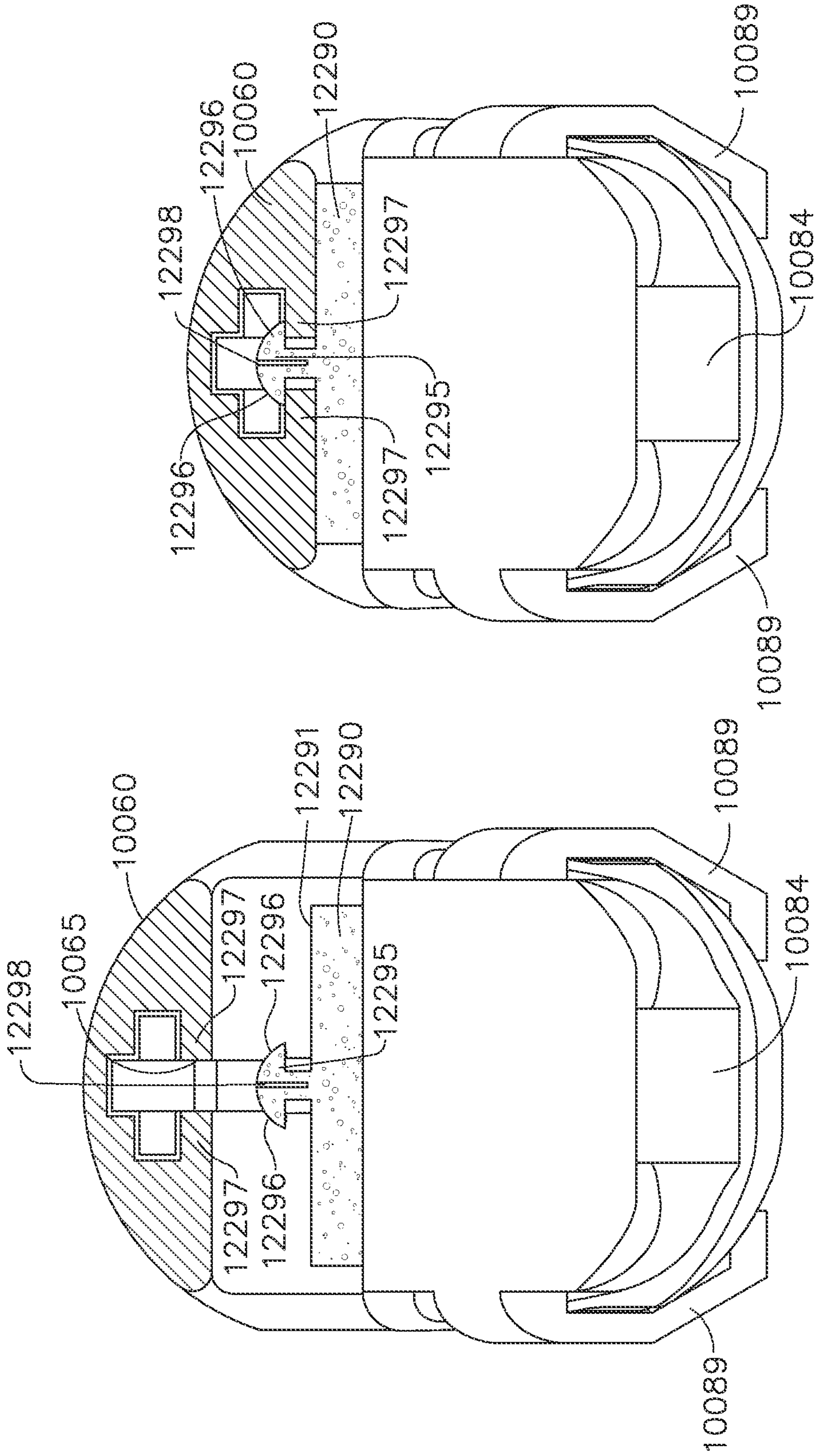


FIG. 107

FIG. 108



80/177

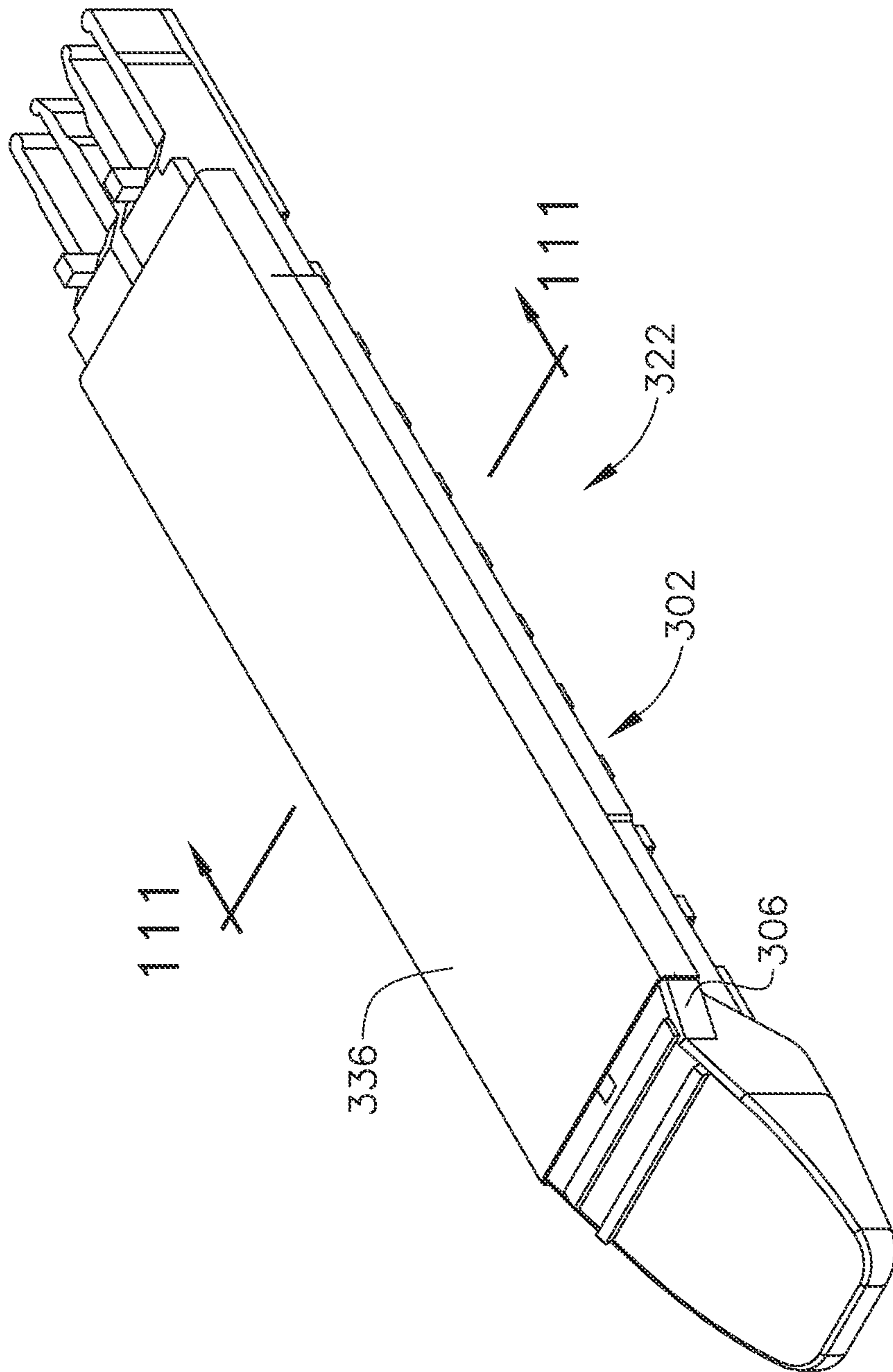


FIG. 109

81/177

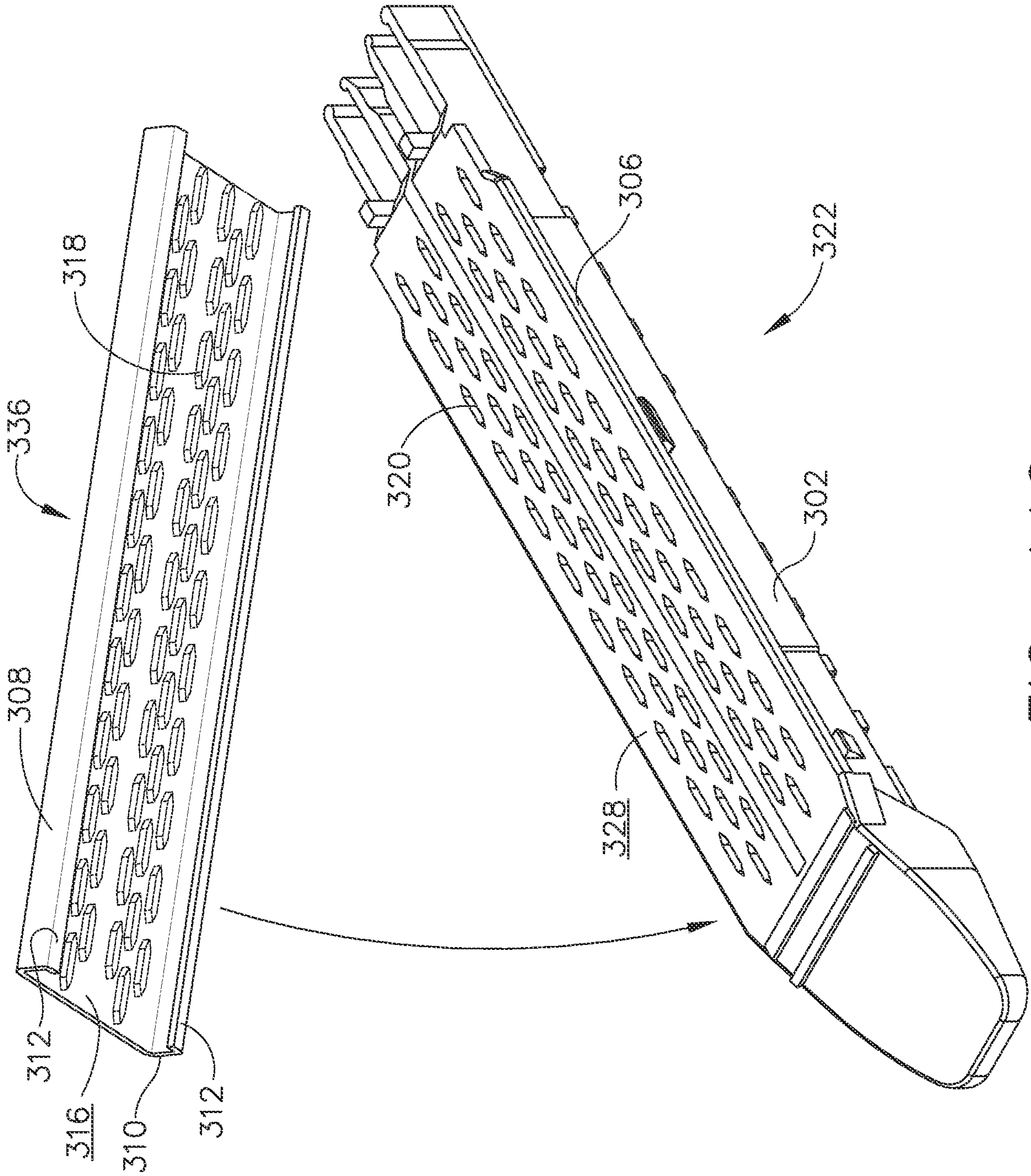


FIG. 110

82/177

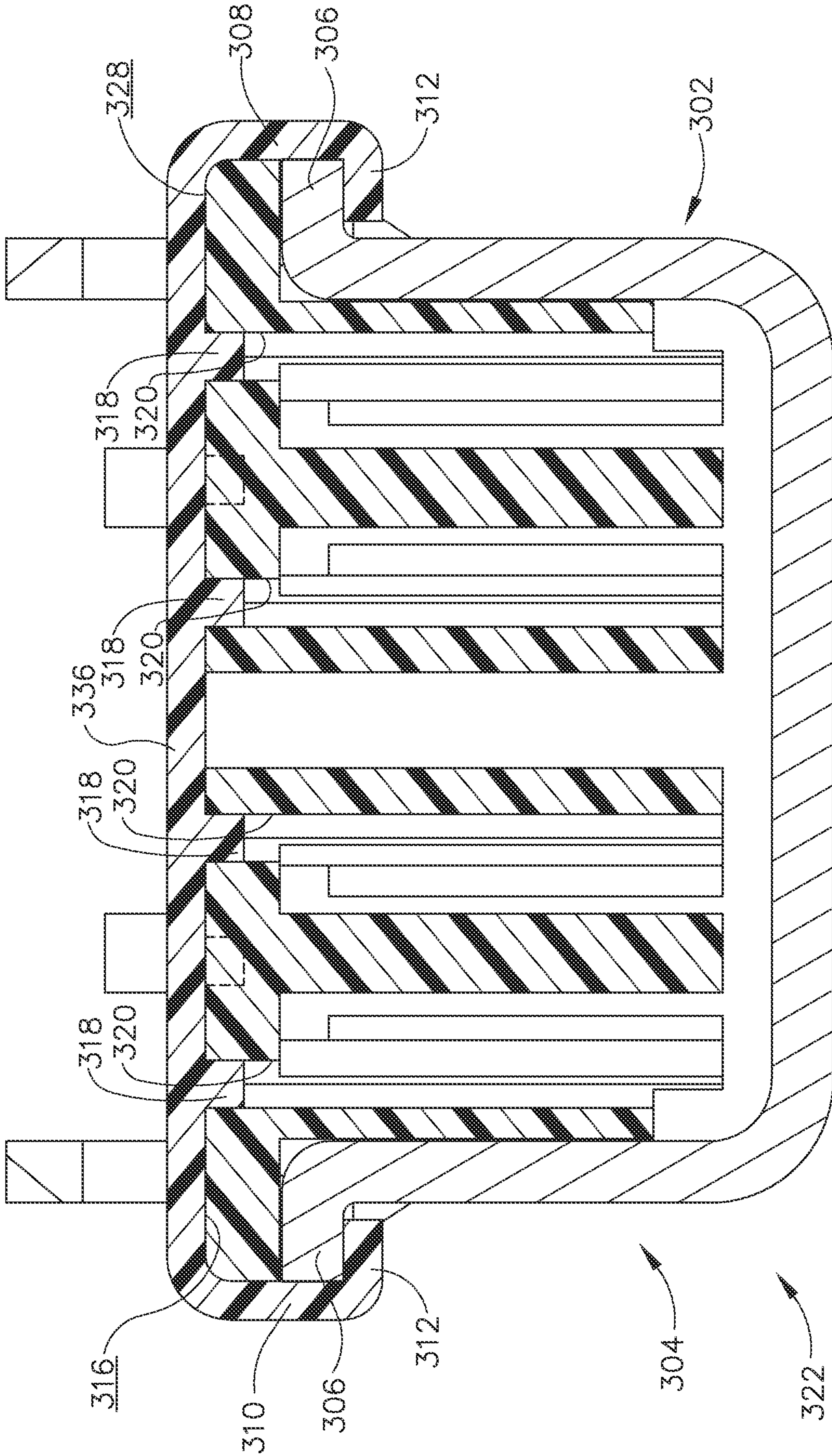


FIG. 111

83/177

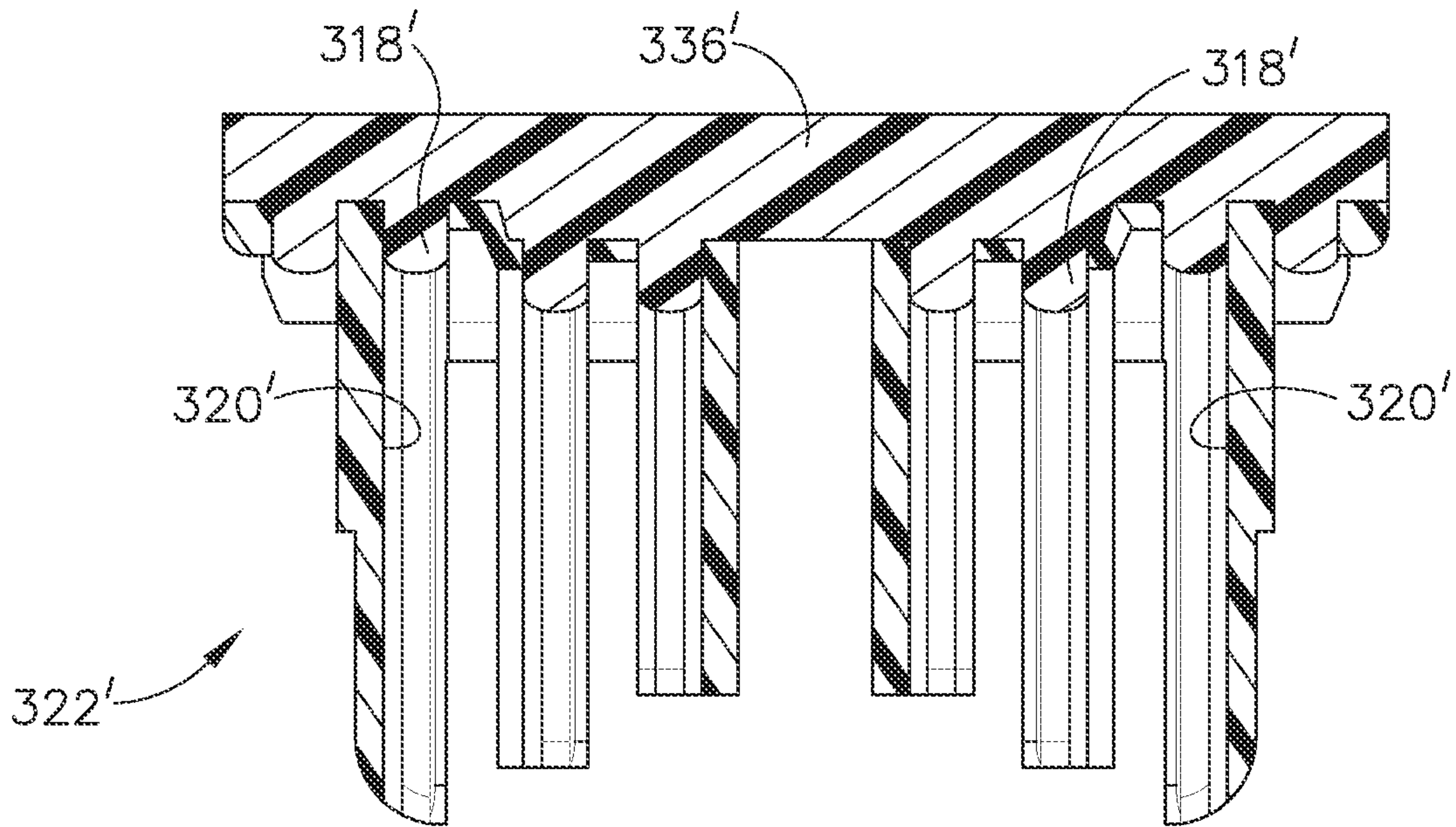


FIG. 112

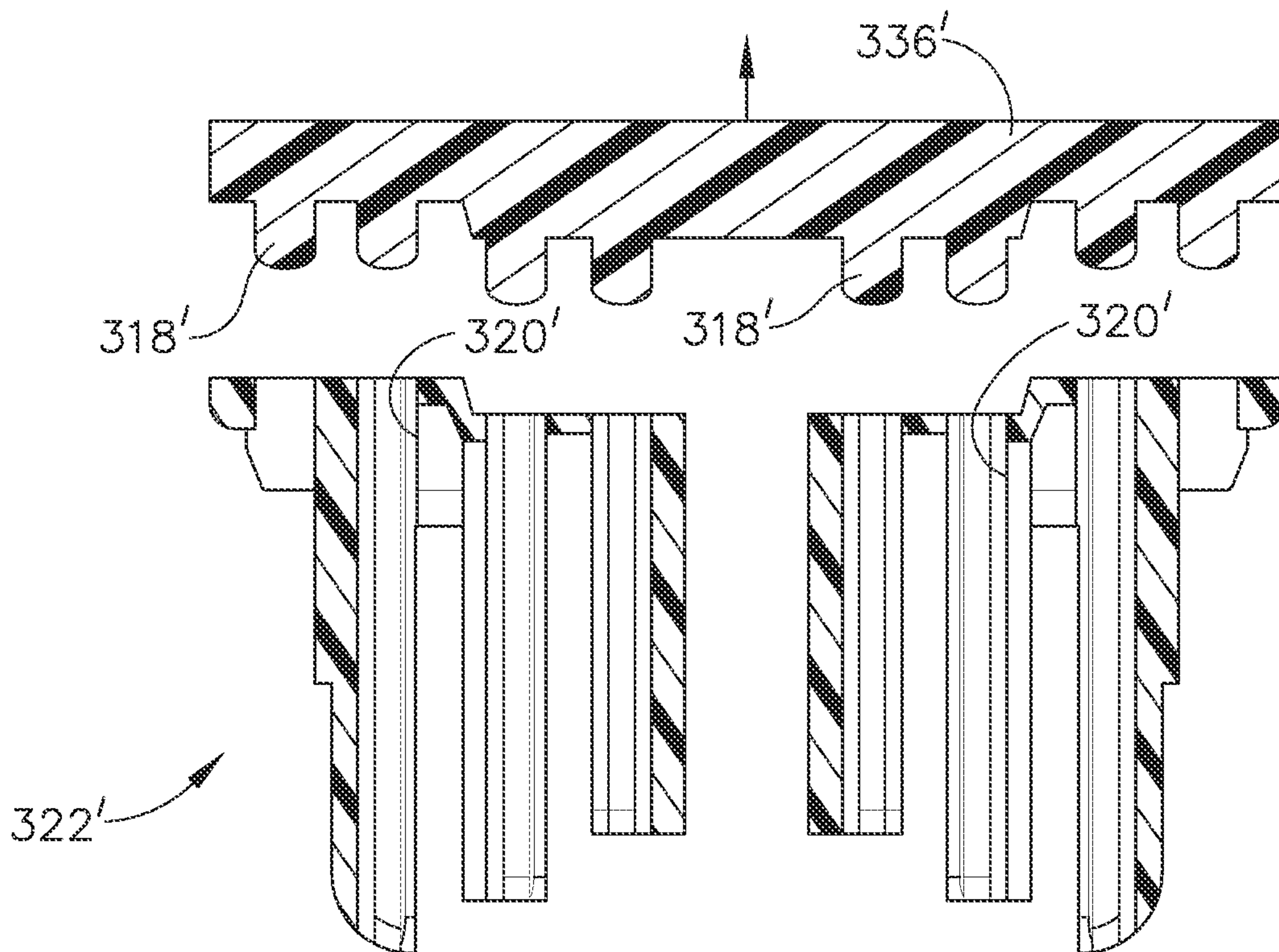


FIG. 113

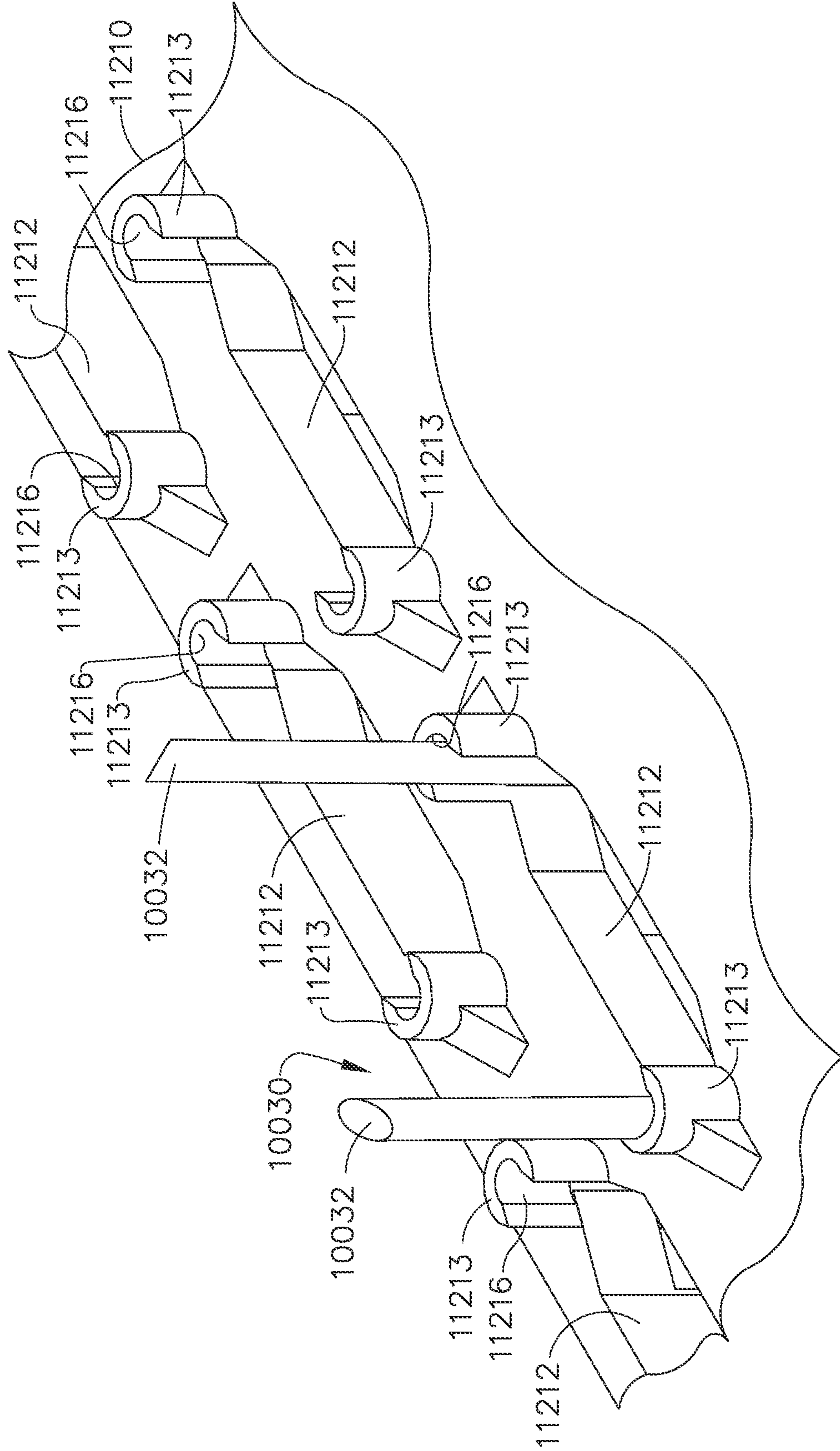


FIG. 114

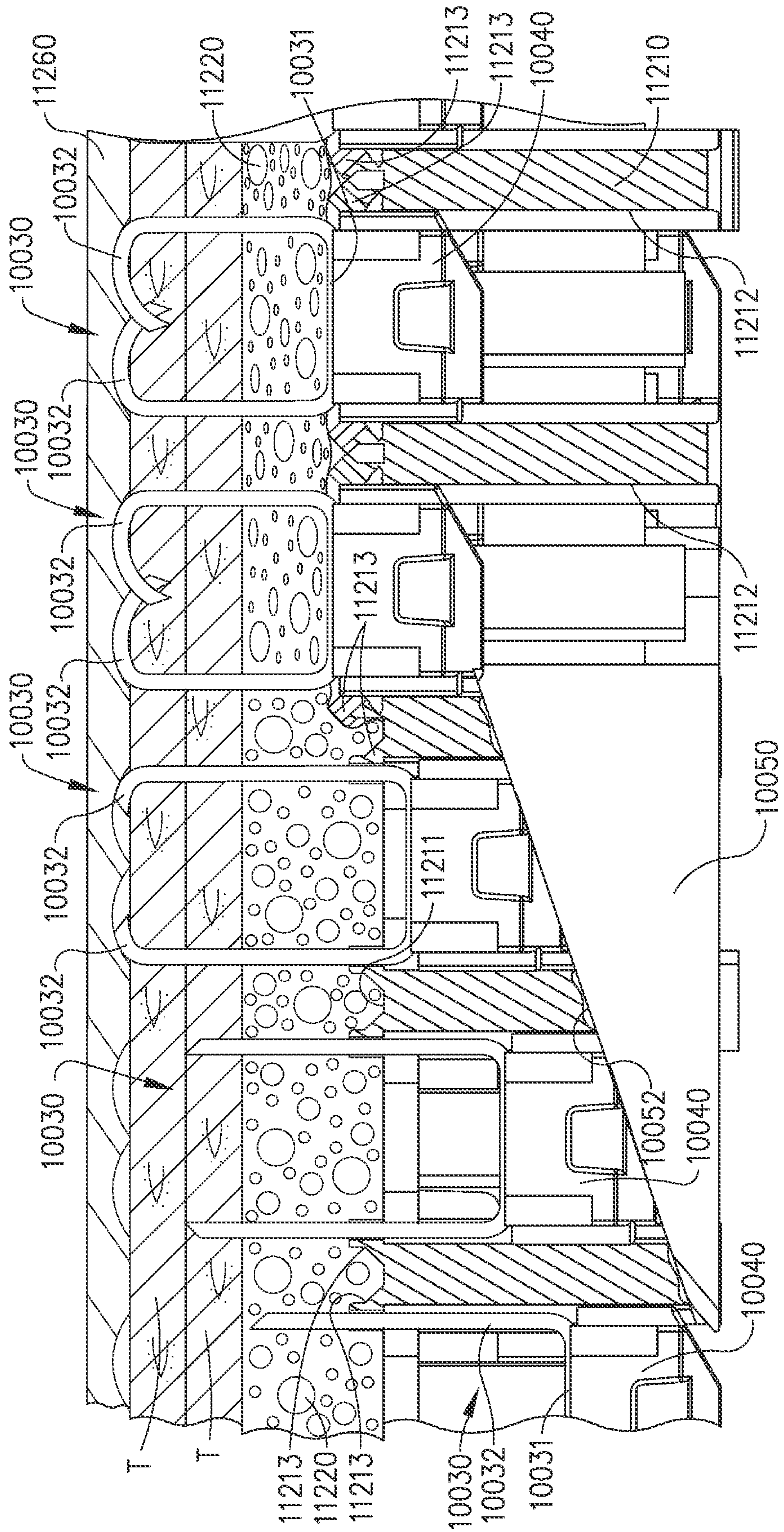


FIG. 115

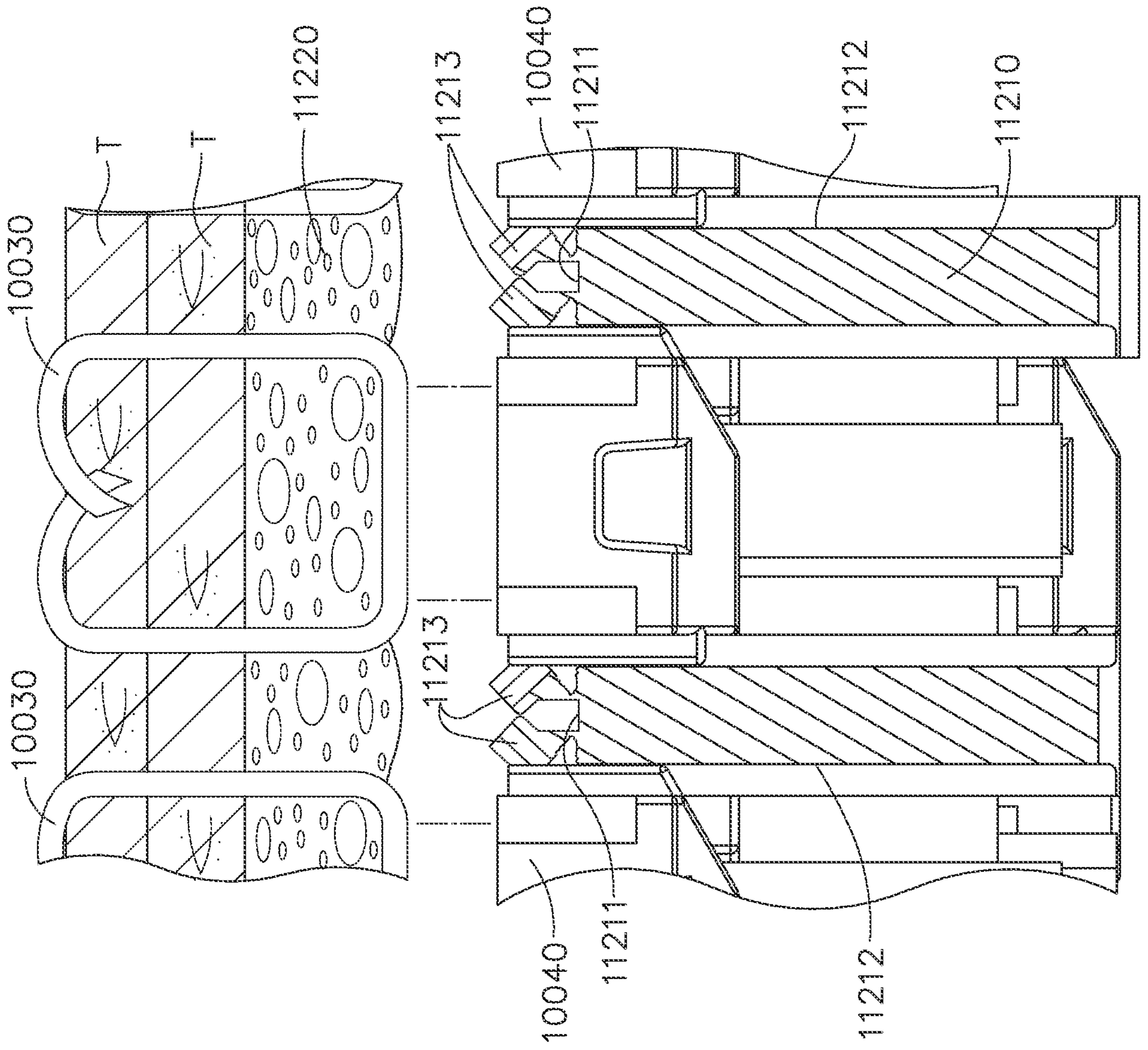


FIG. 116

87/177

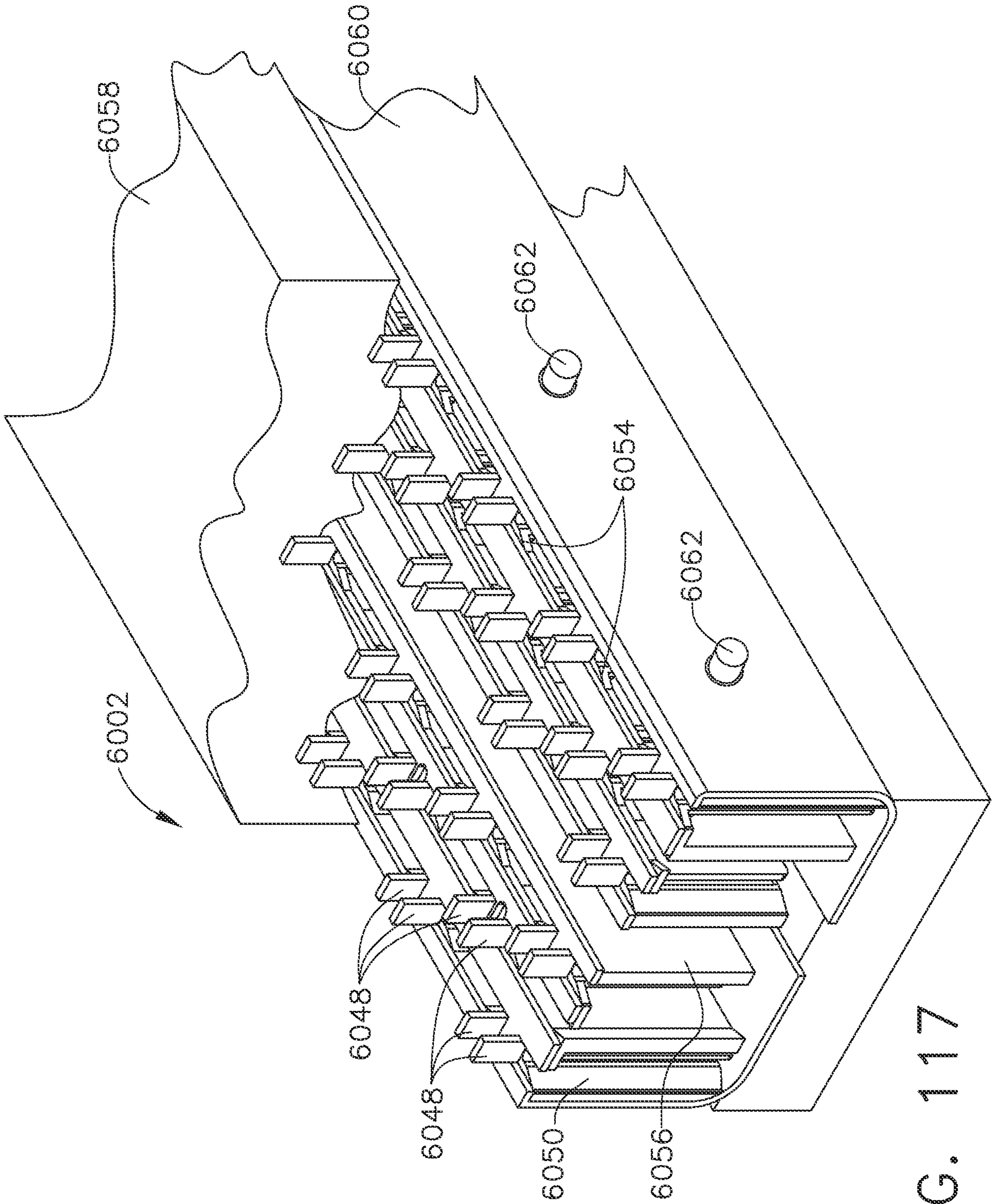


FIG. 117



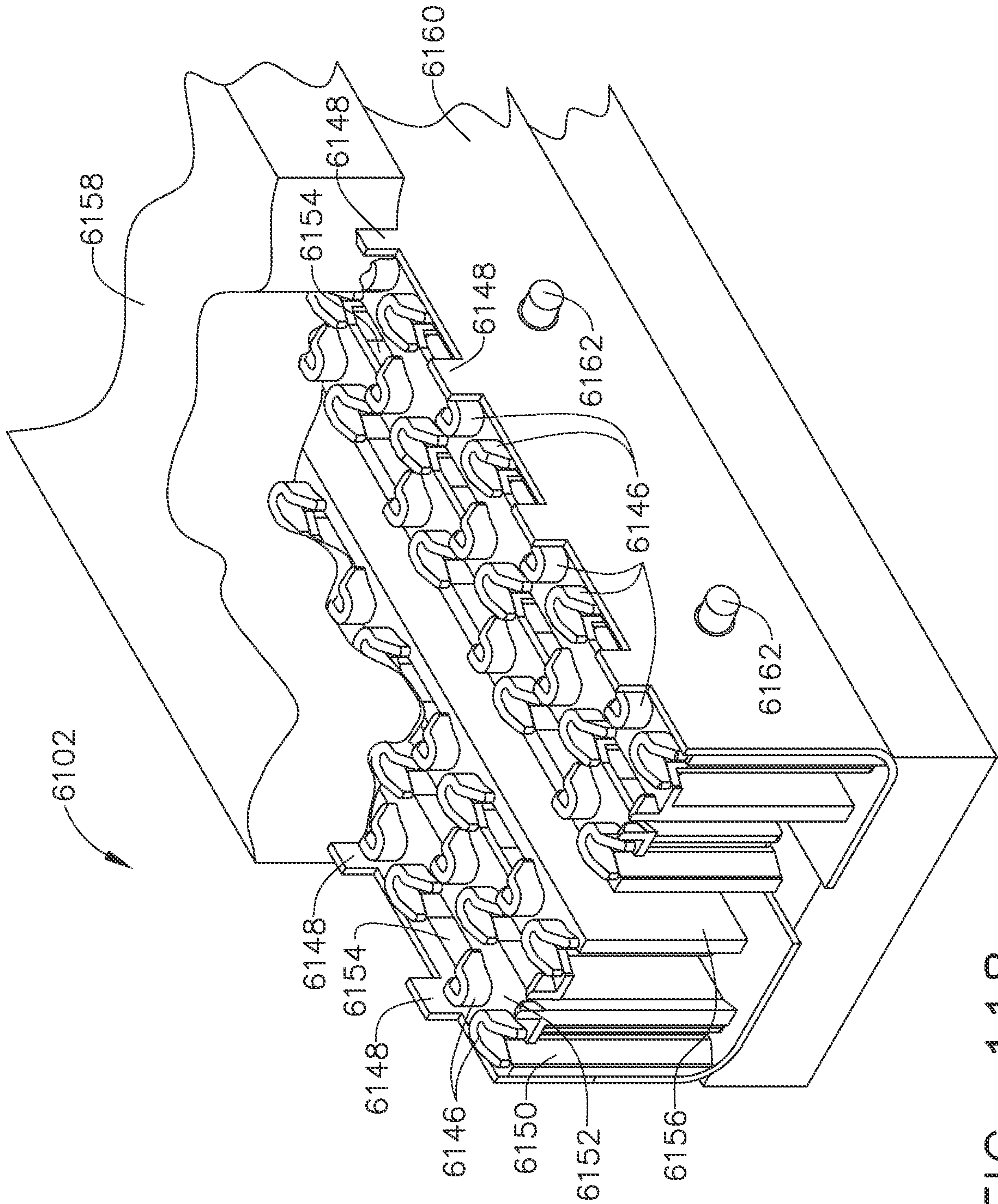


FIG. 118

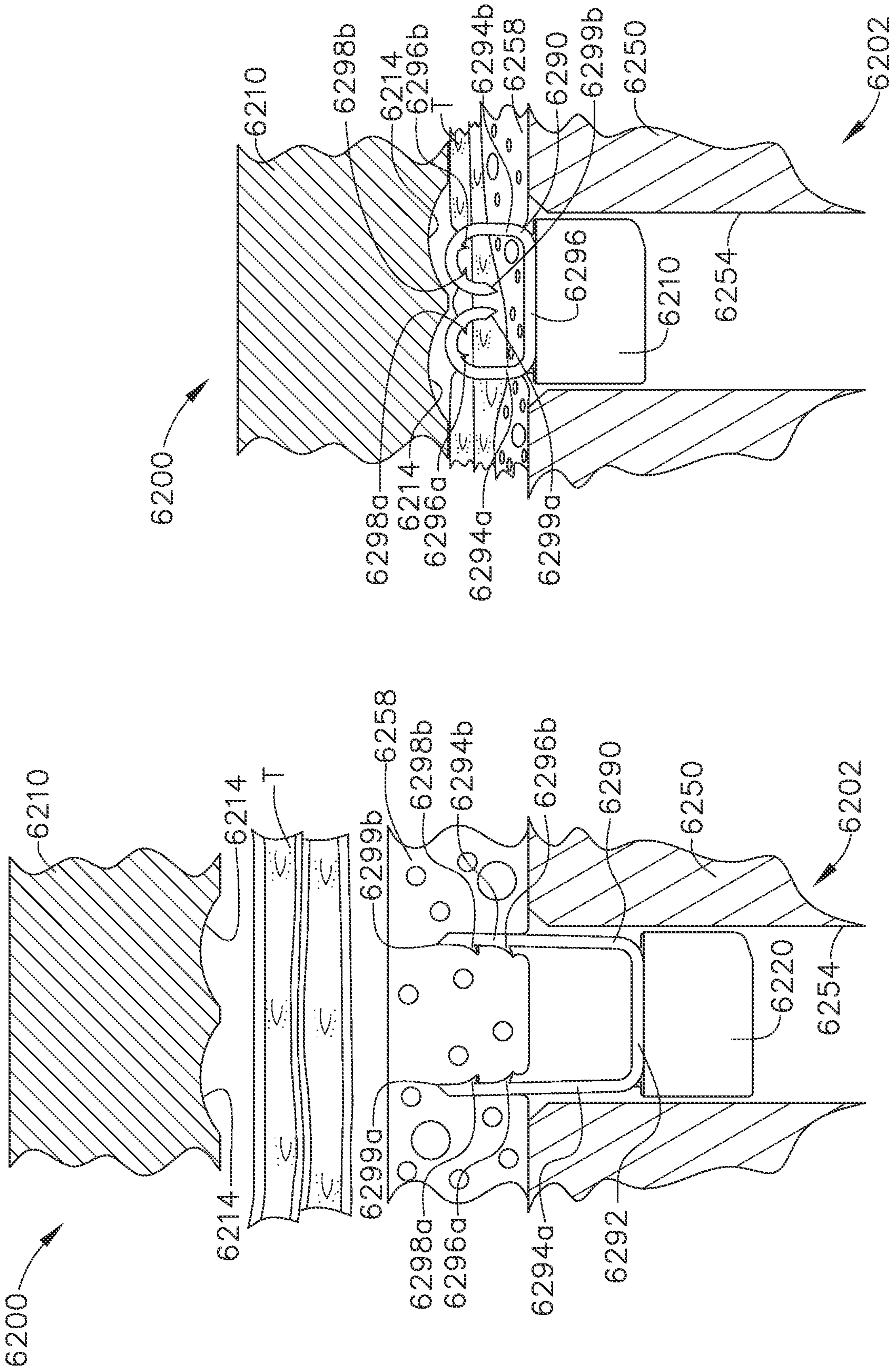


FIG. 120

FIG. 119

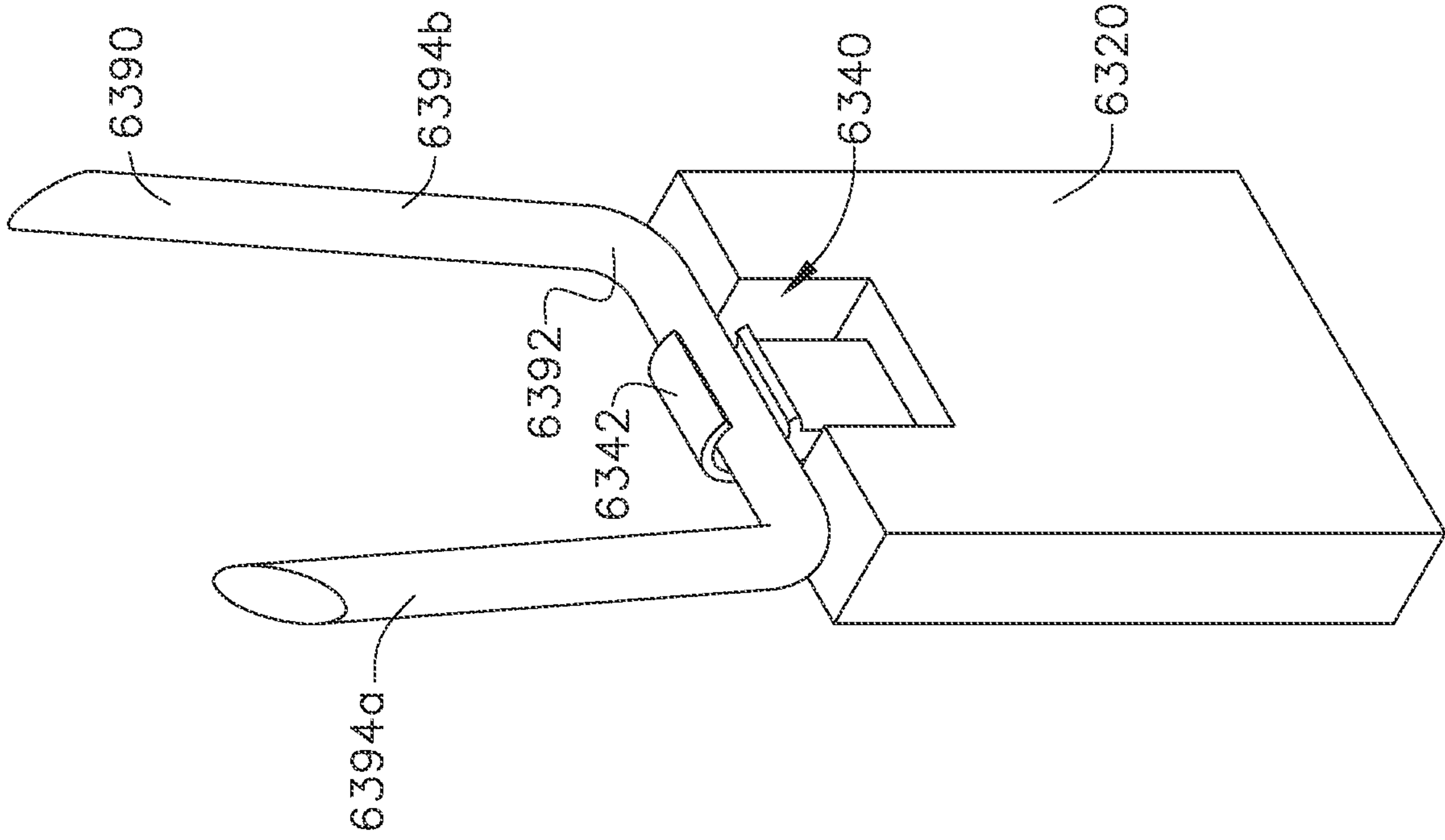


FIG. 122

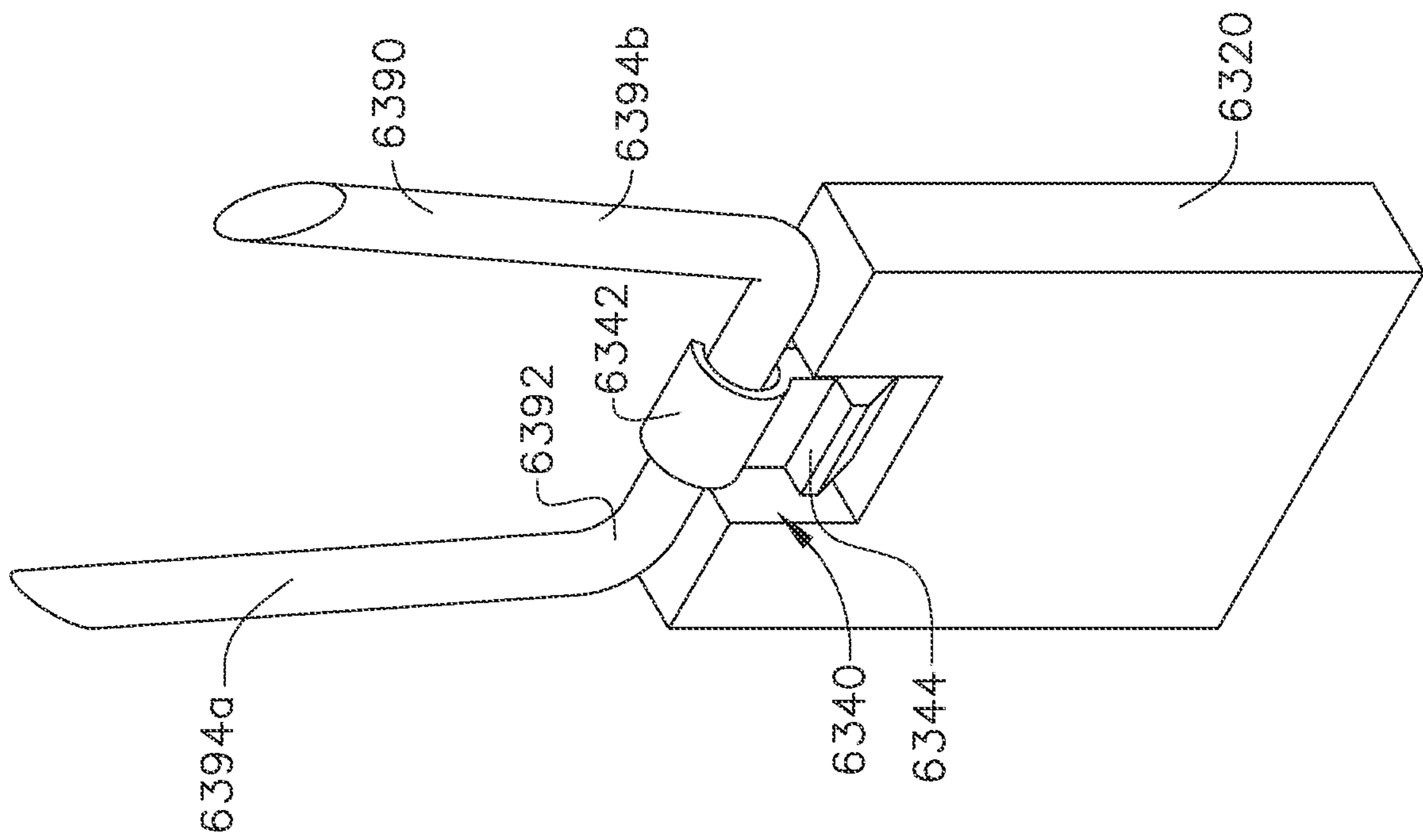


FIG. 121

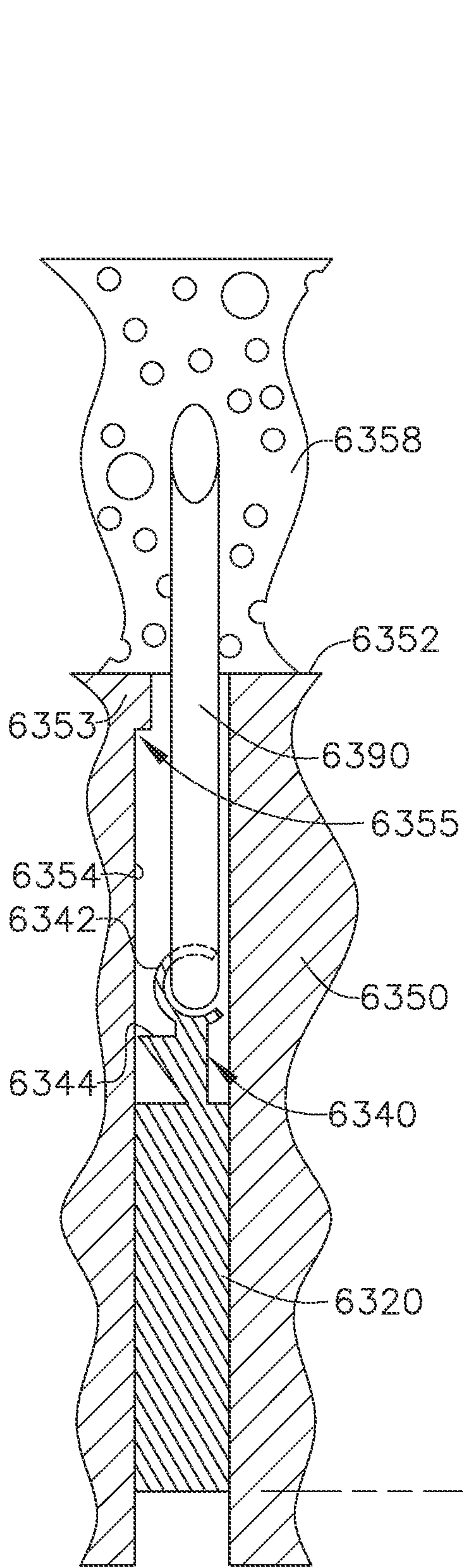


FIG. 123

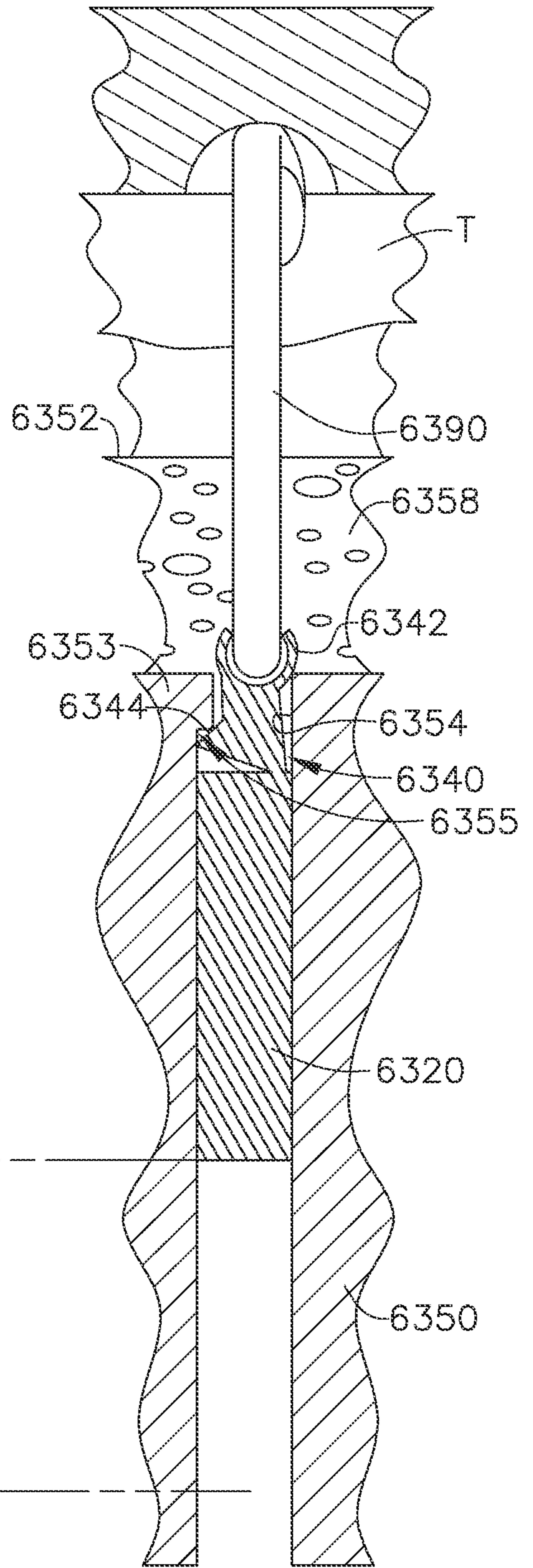


FIG. 124

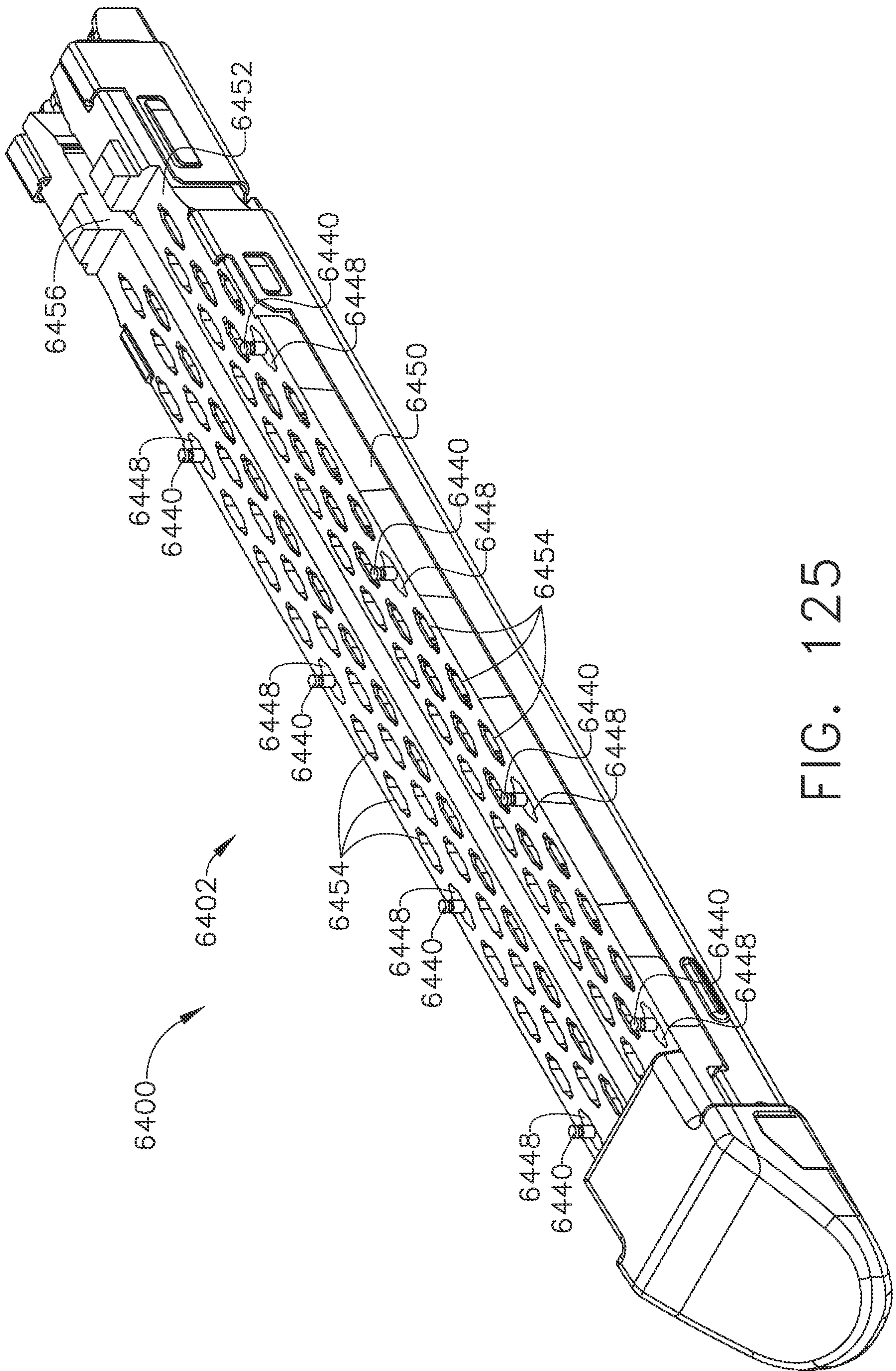


FIG. 125

93/177

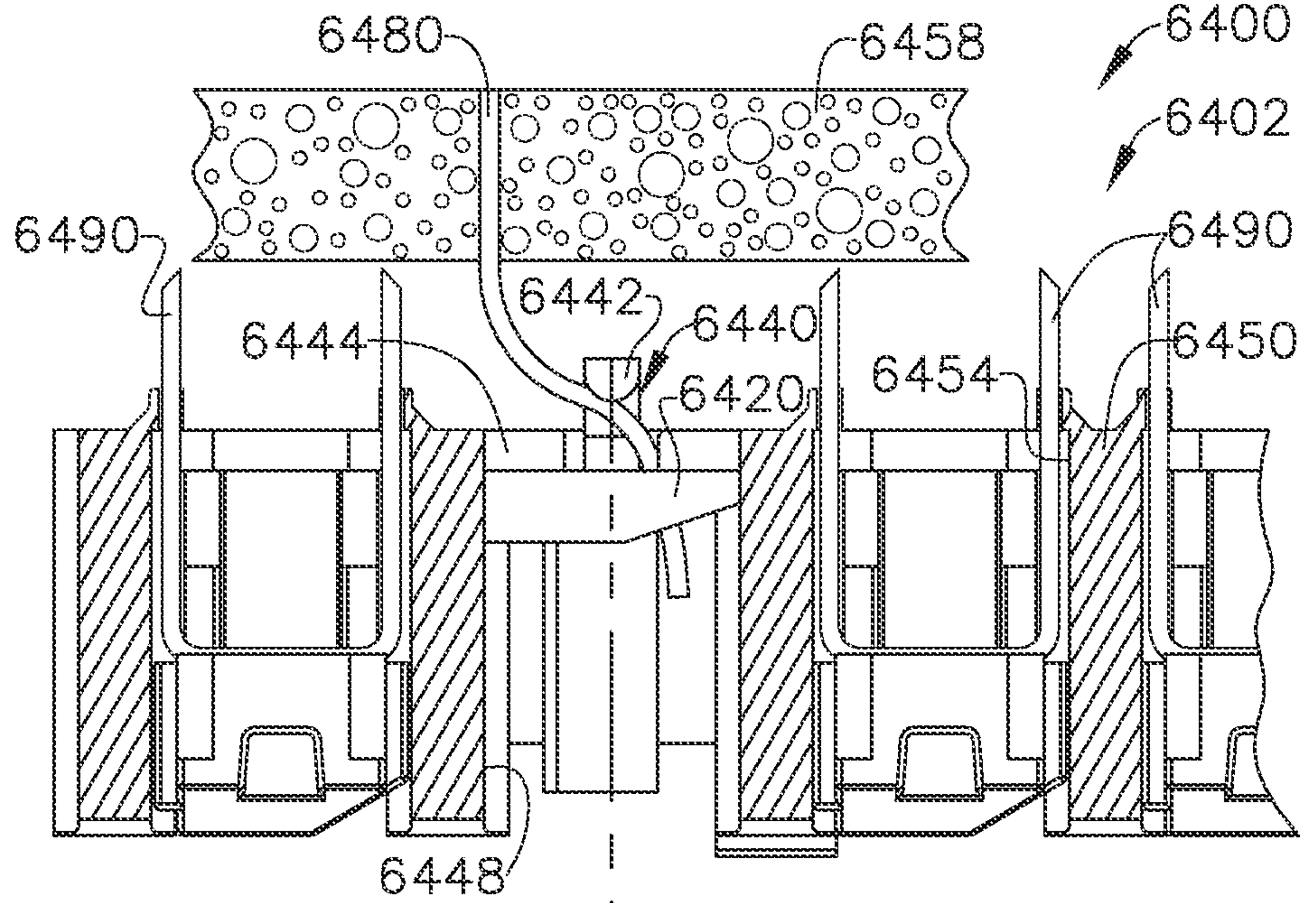
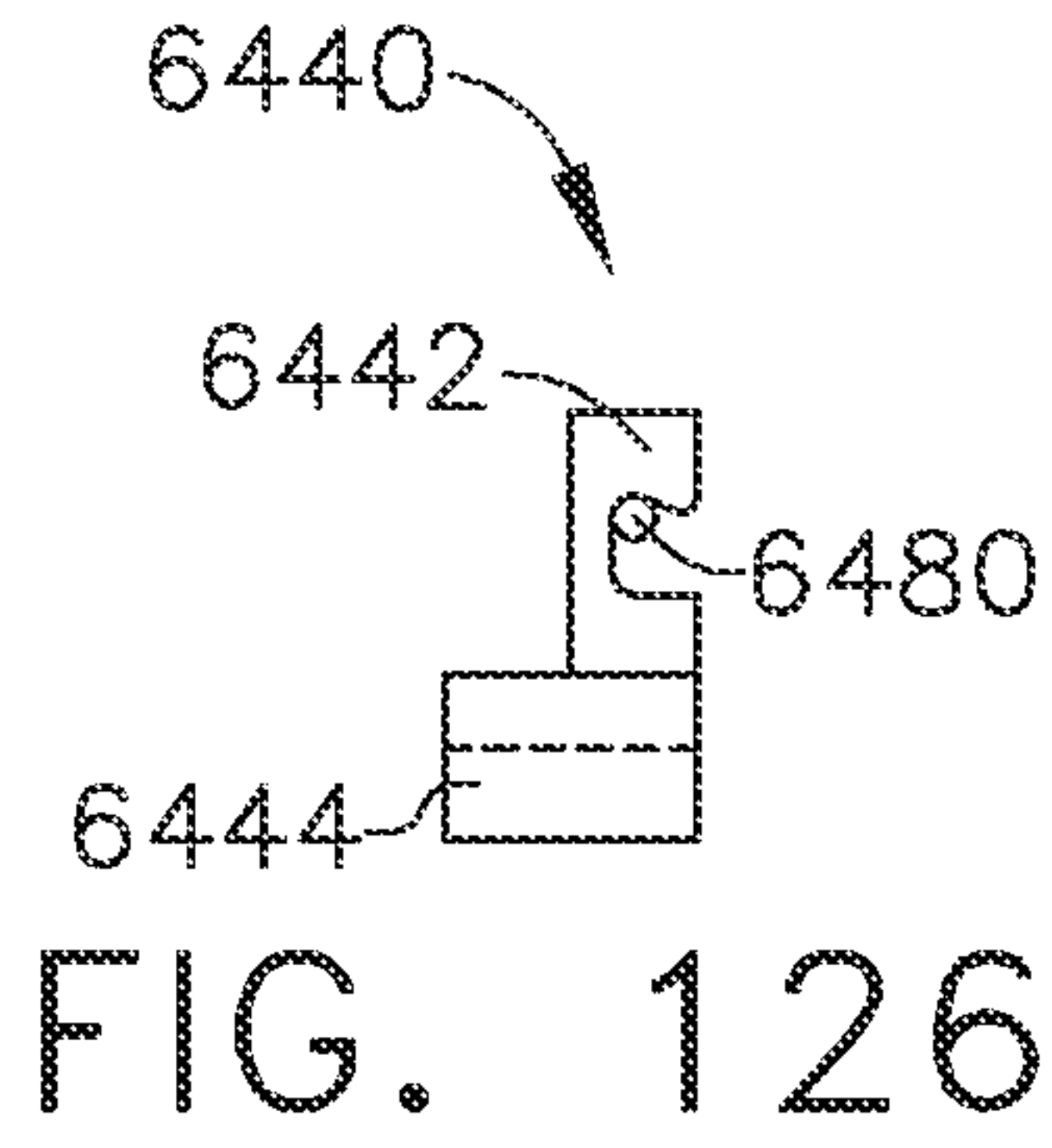


FIG. 126A

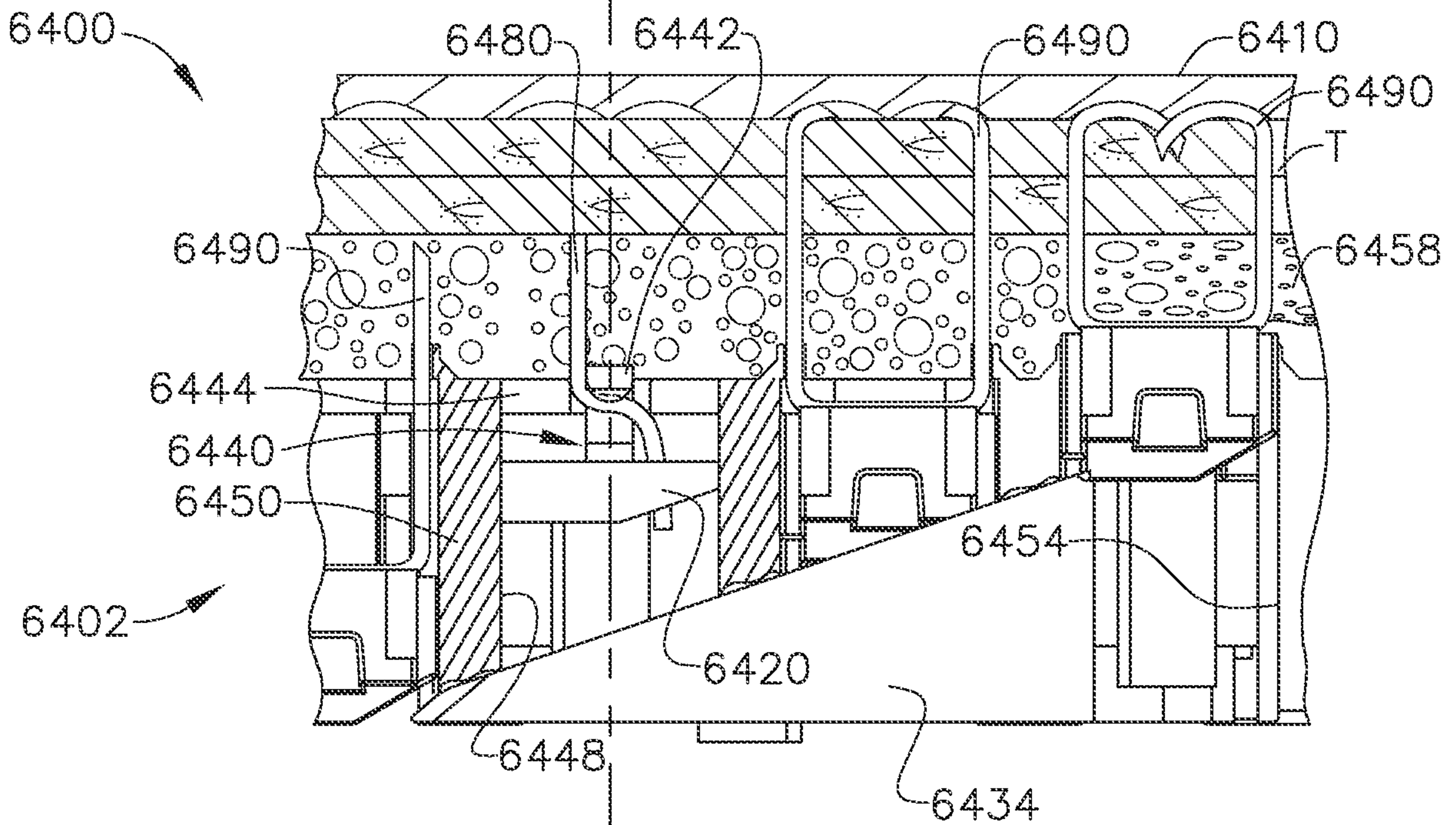


FIG. 127

94/177

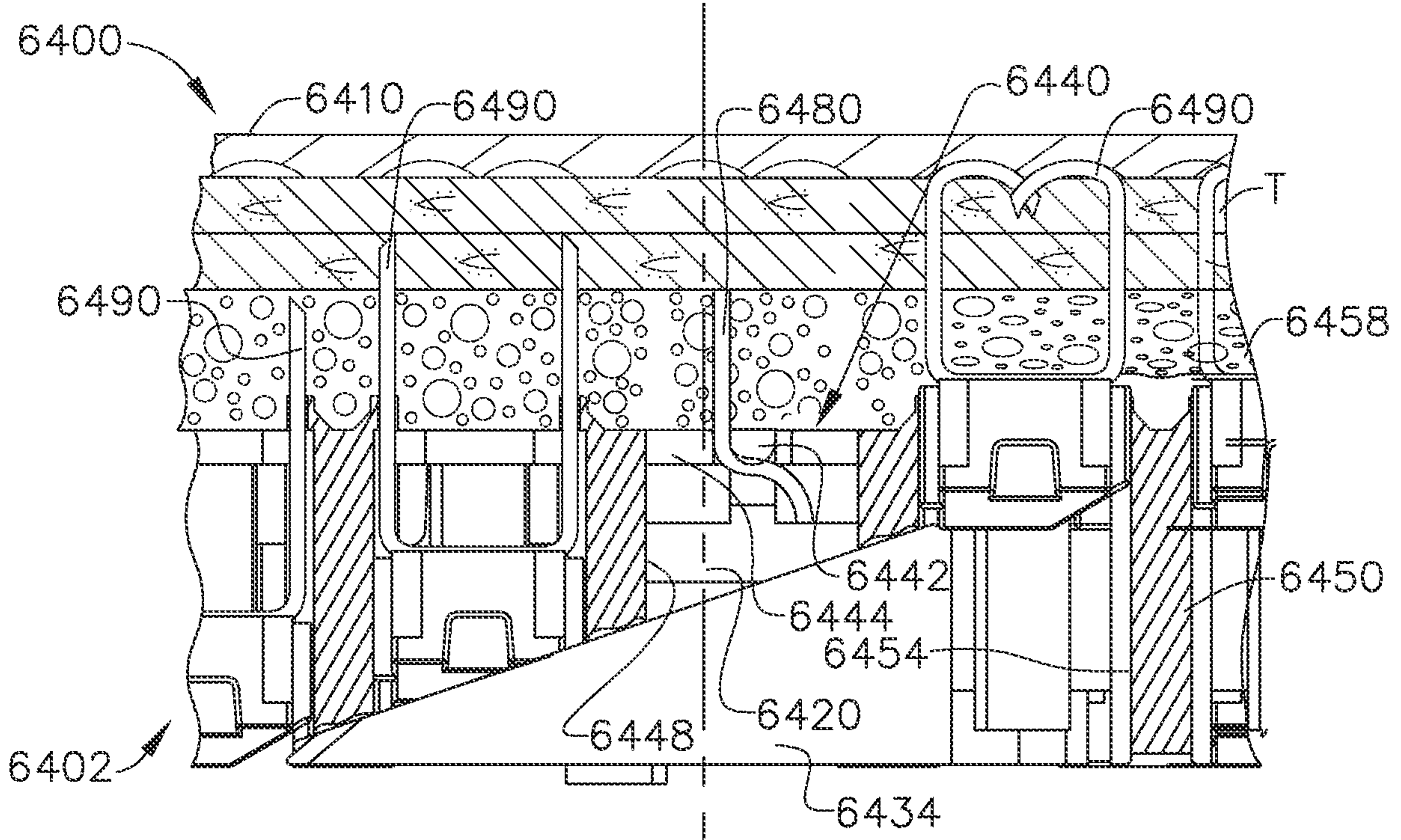


FIG. 128

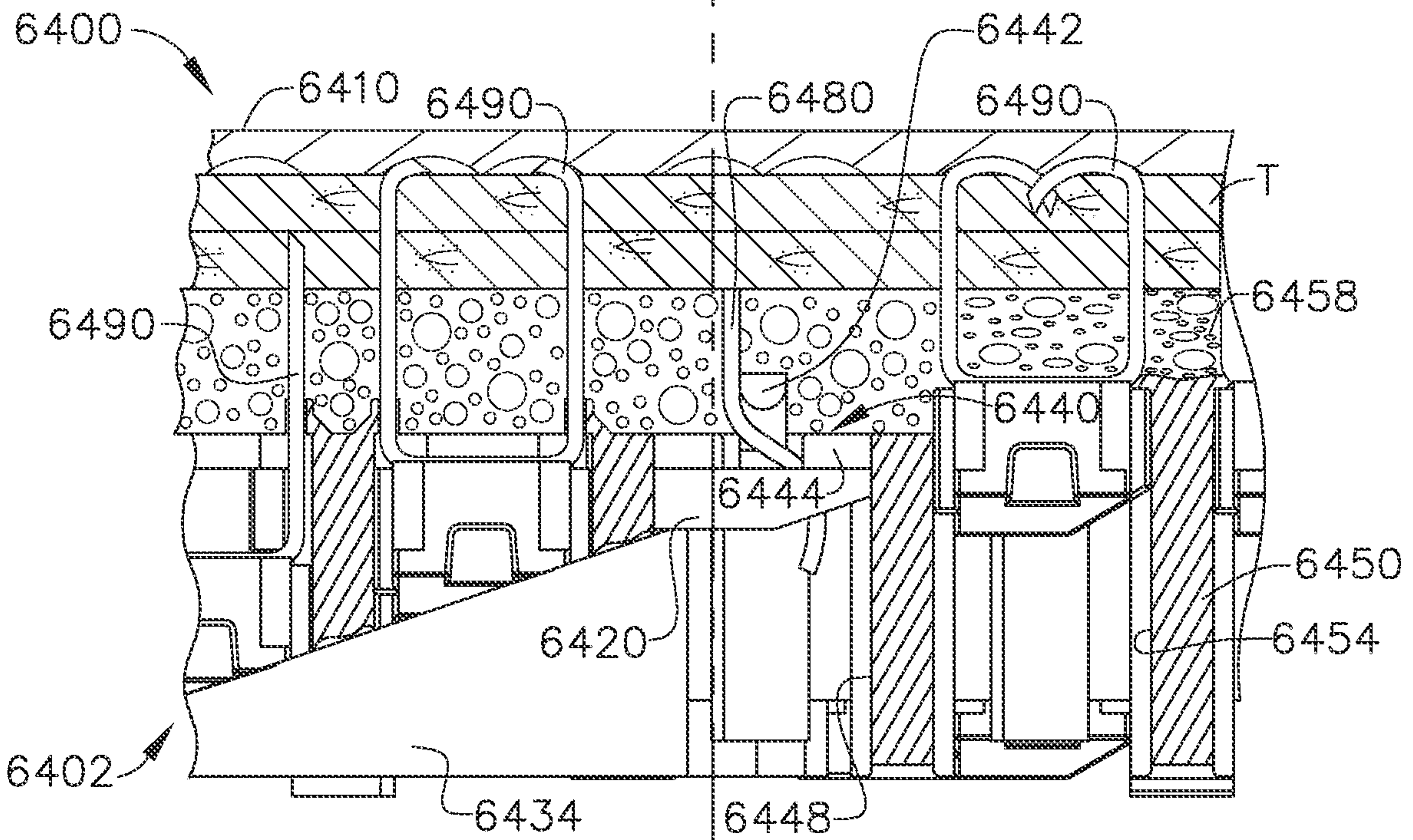


FIG. 129

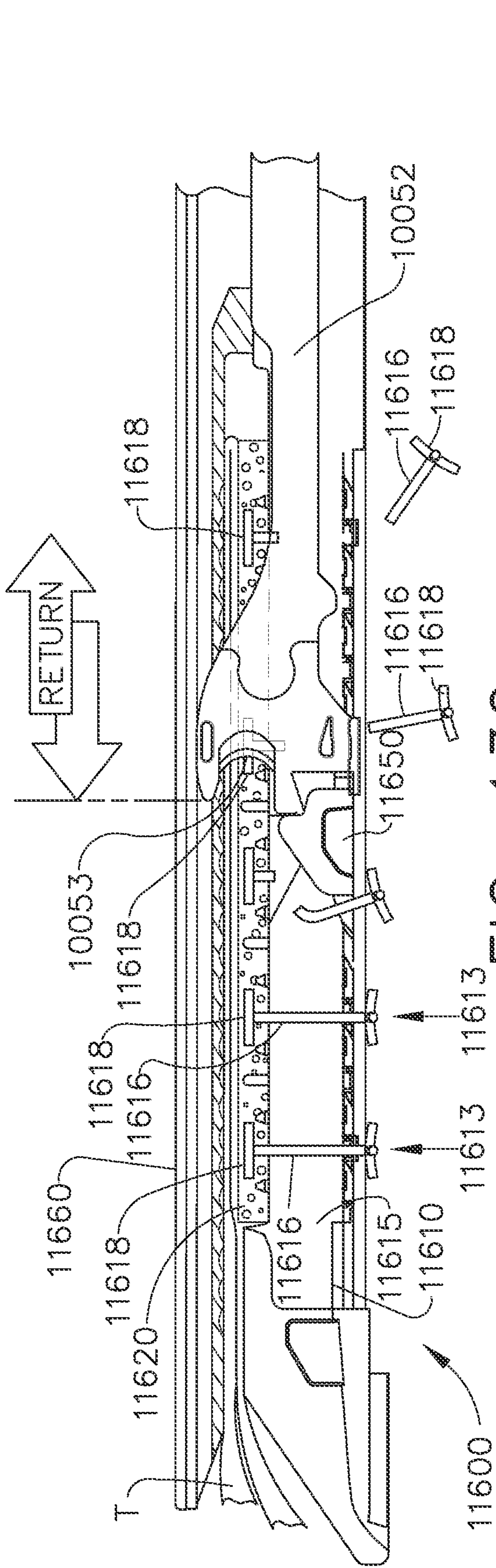


FIG. 130

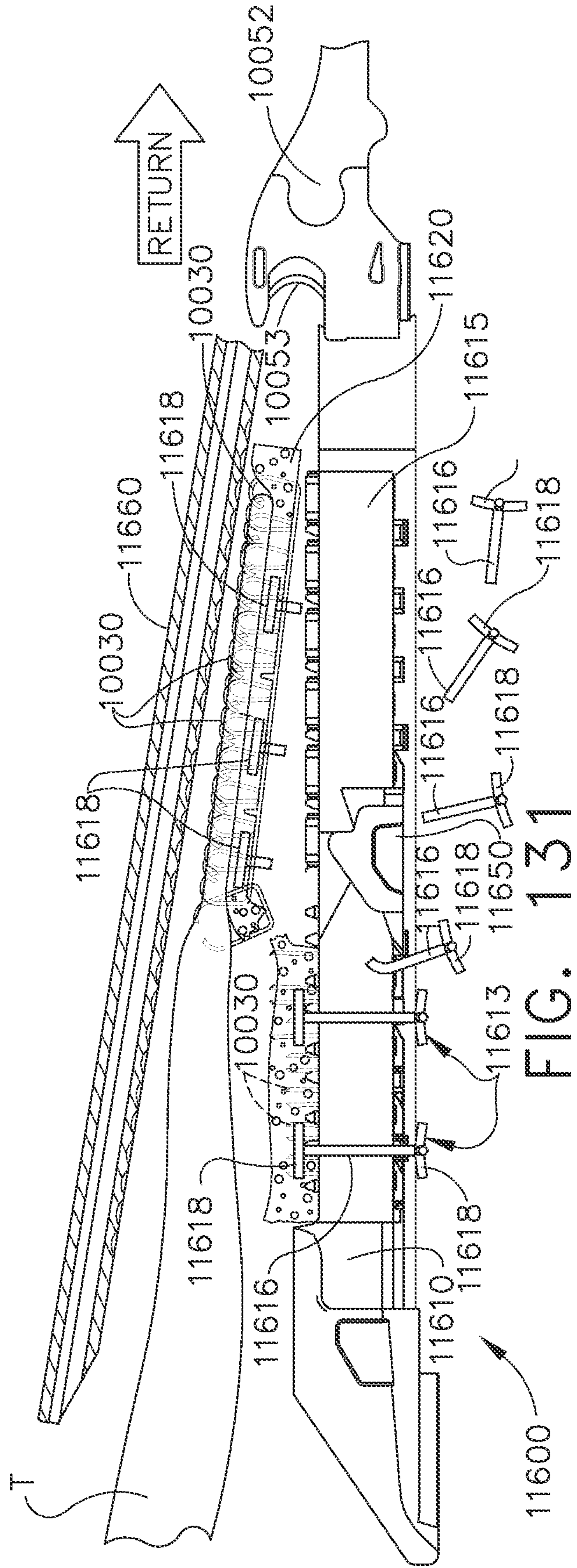


FIG. 131



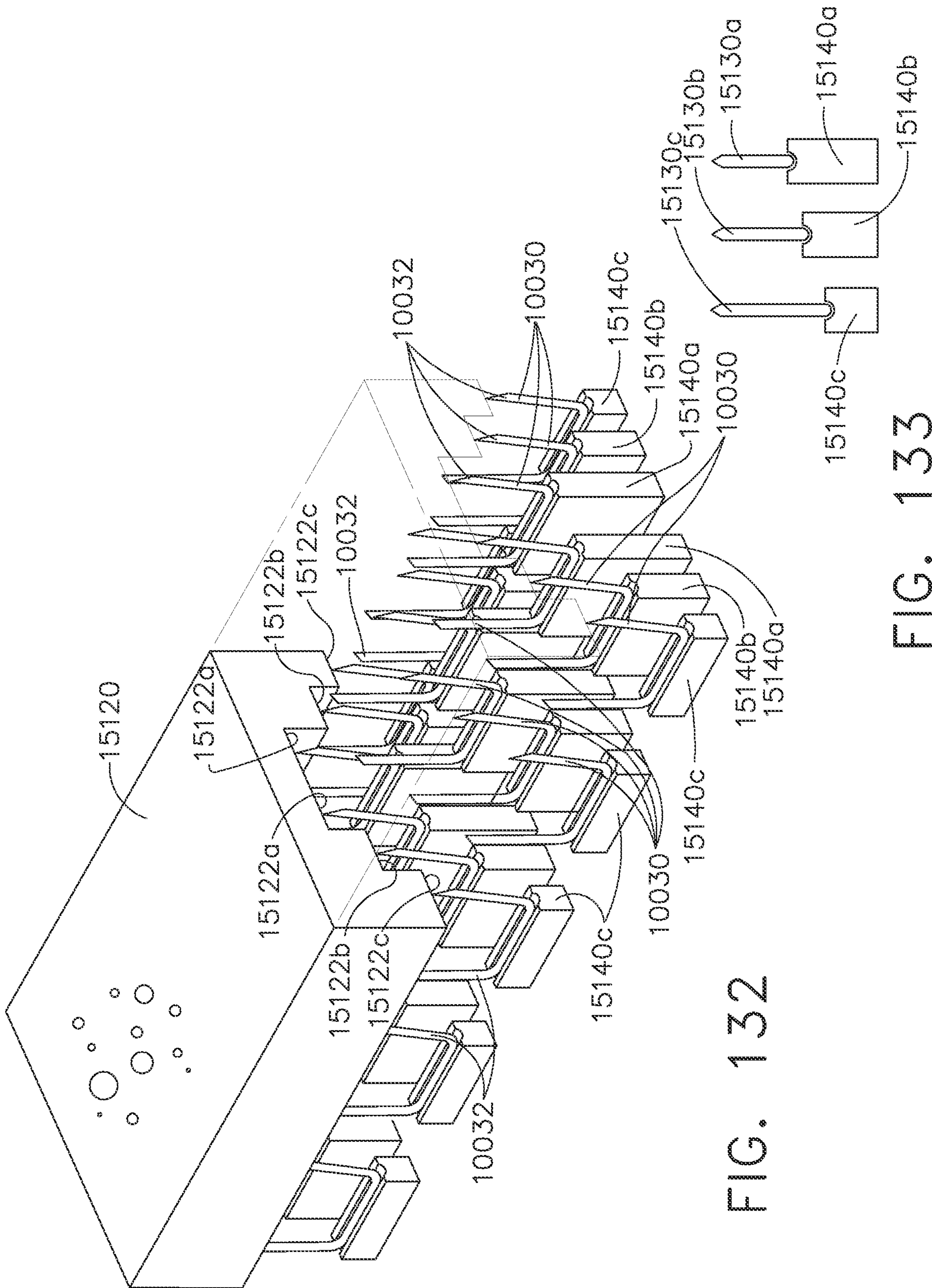


FIG. 132

FIG. 133

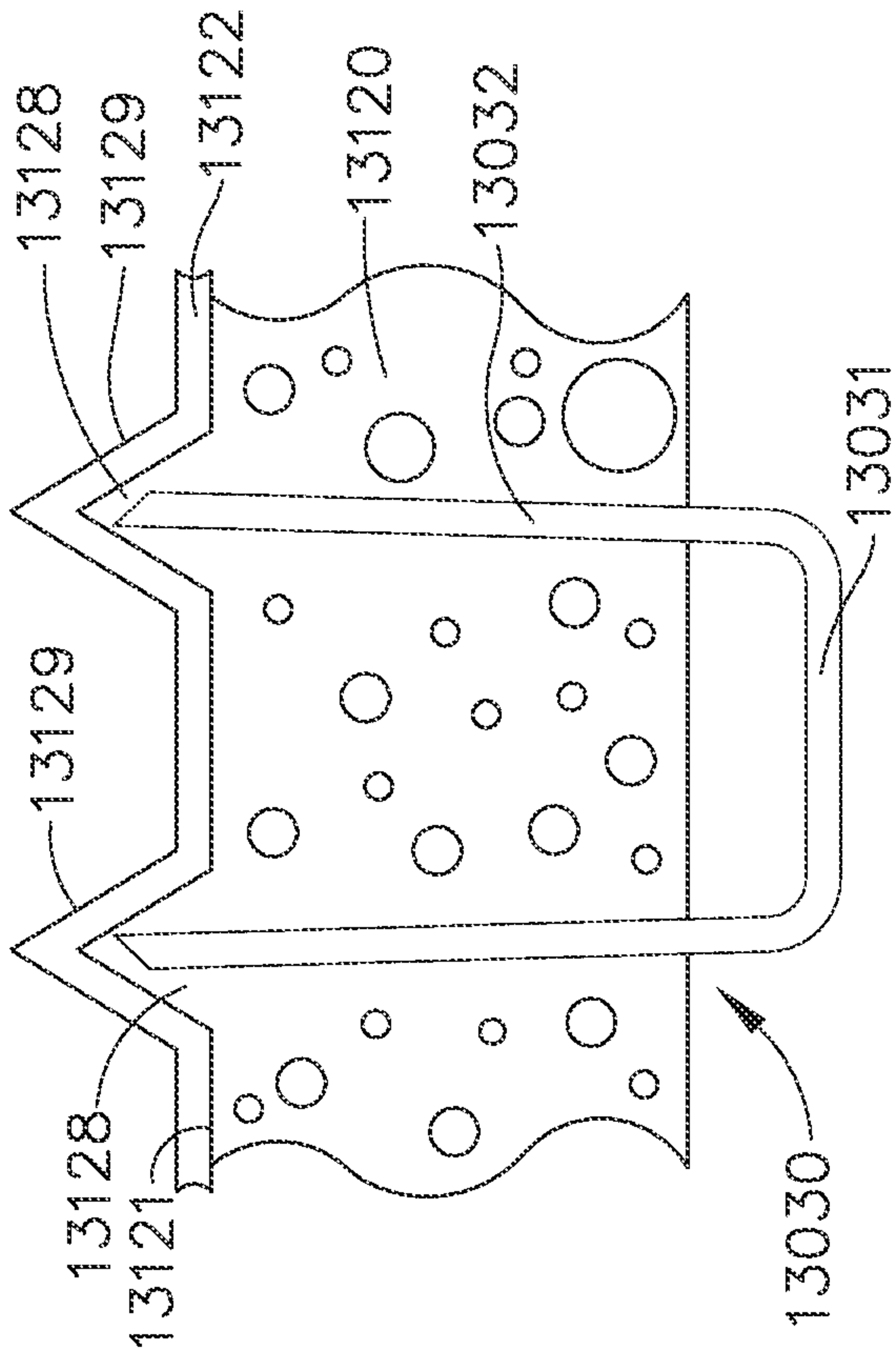


FIG. 135

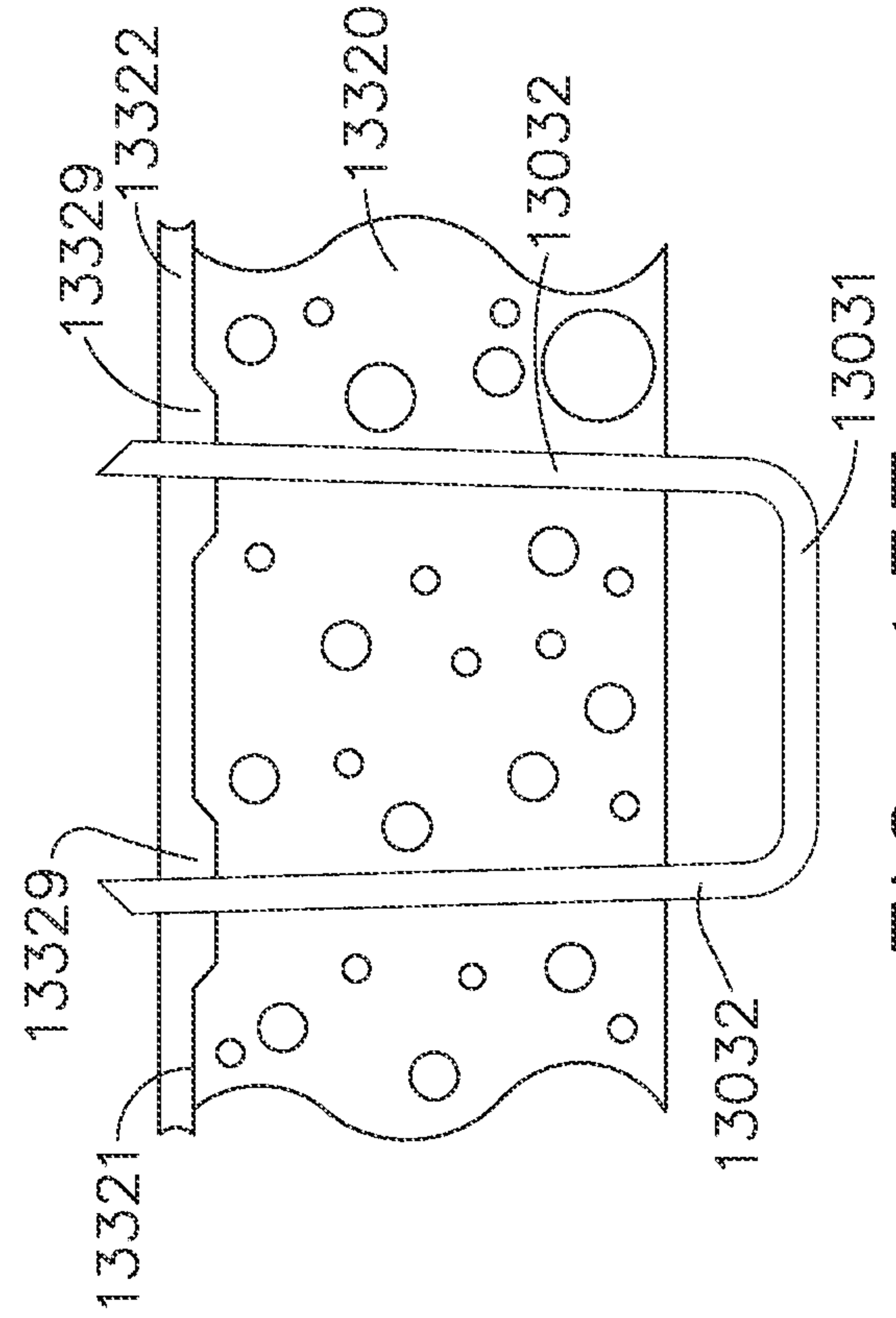


FIG. 137

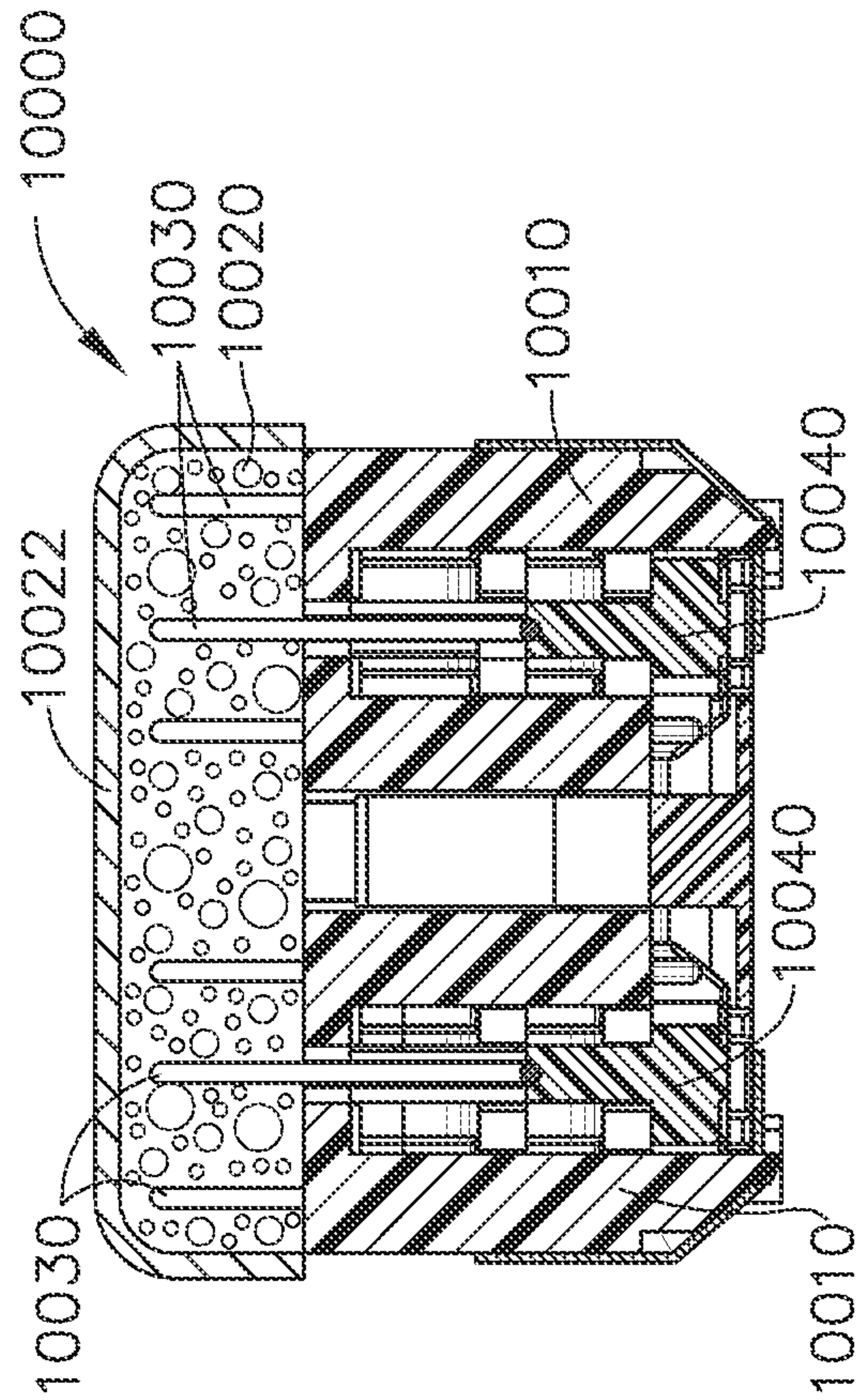


FIG. 134

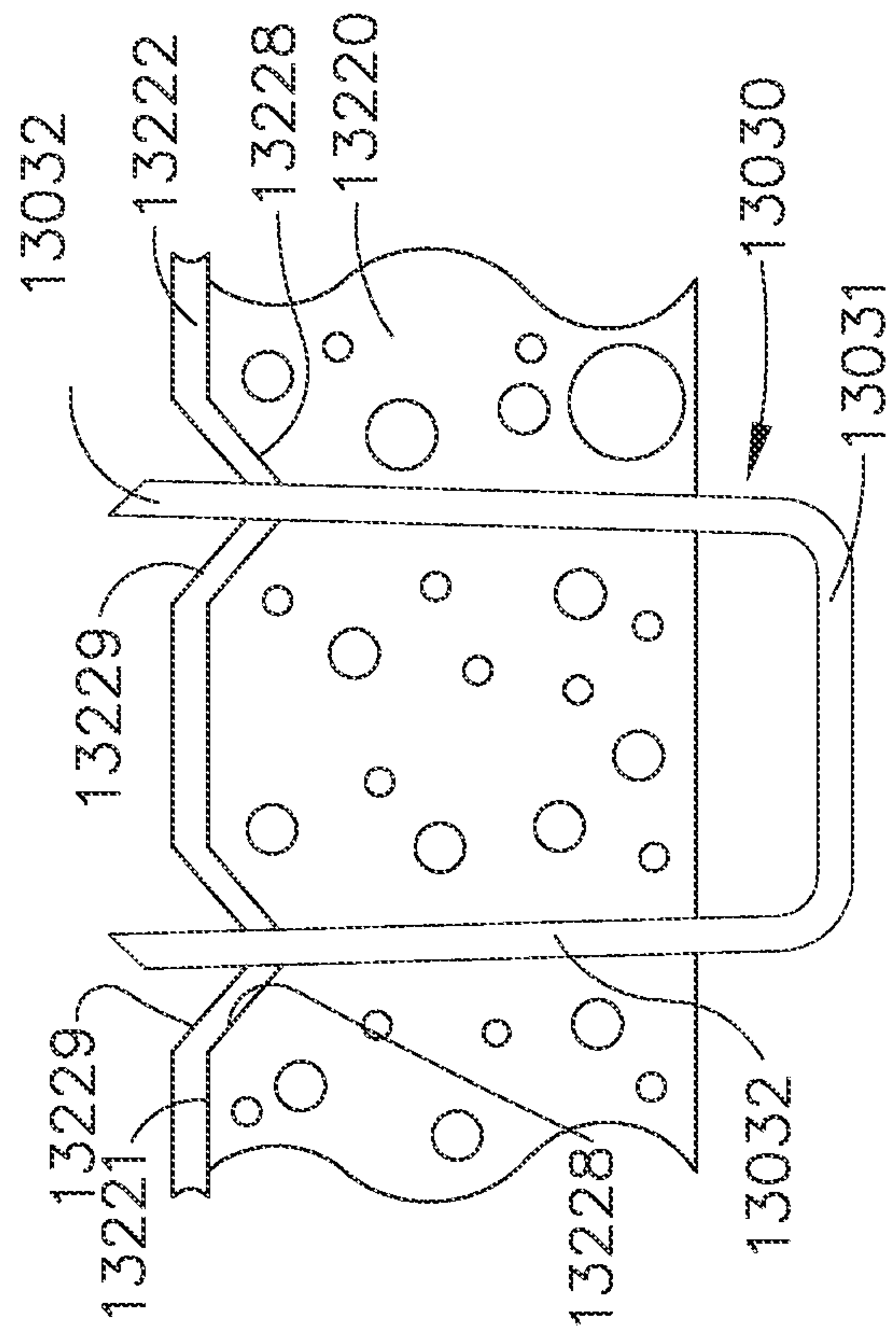


FIG. 136

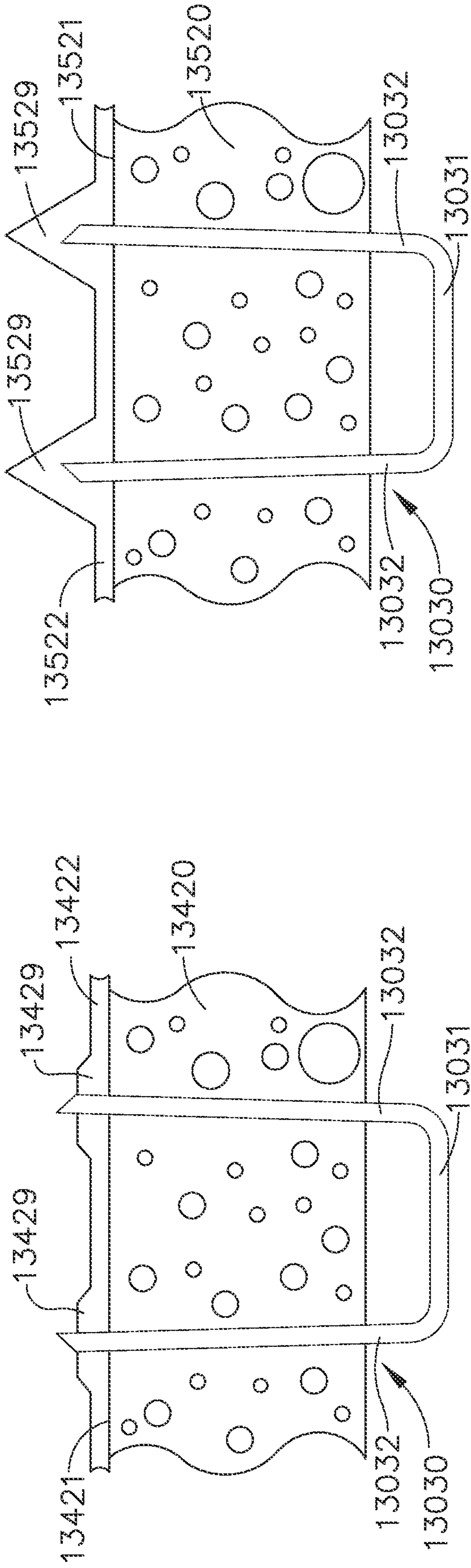


FIG. 138

FIG. 139

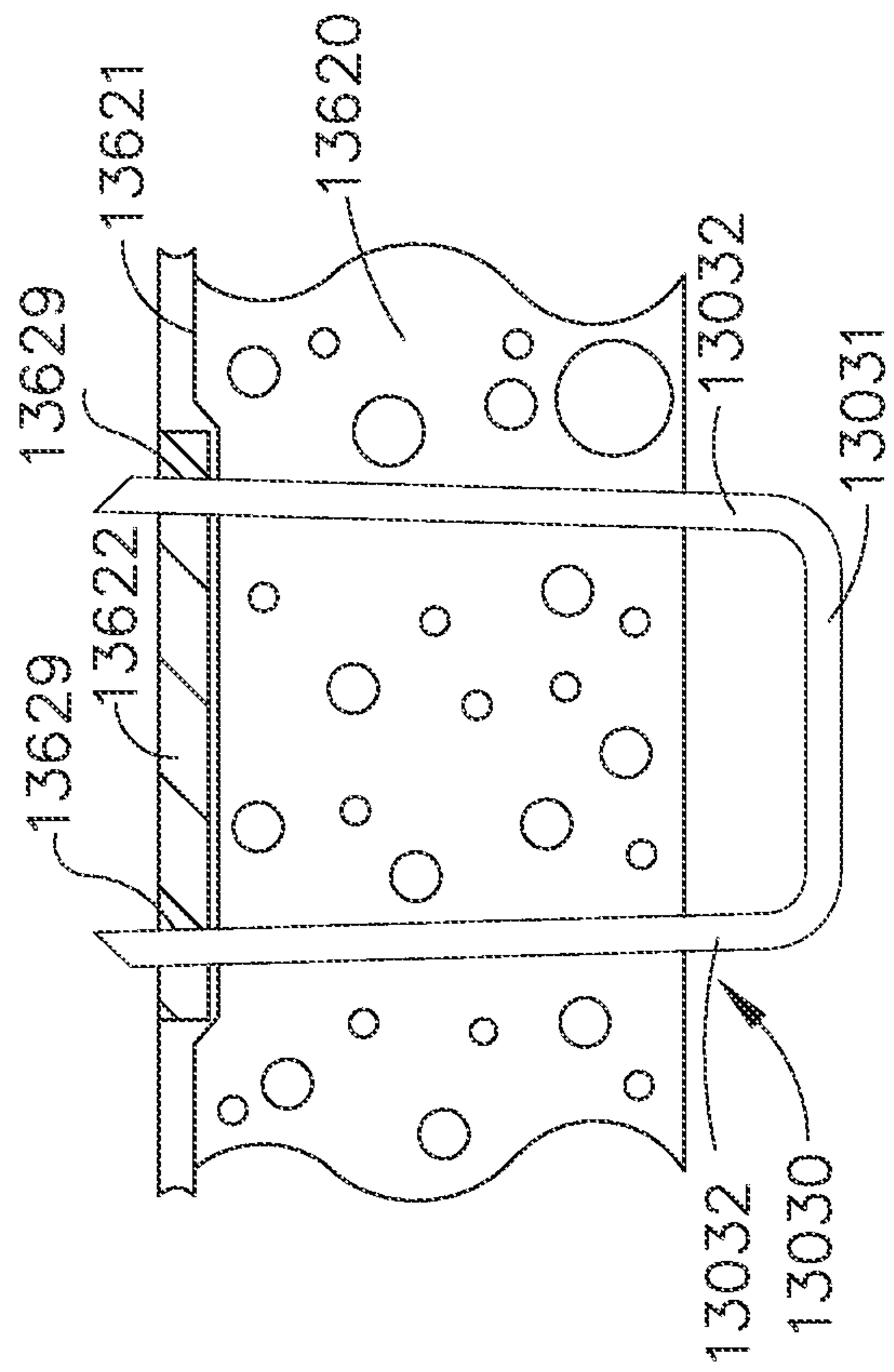


FIG. 140

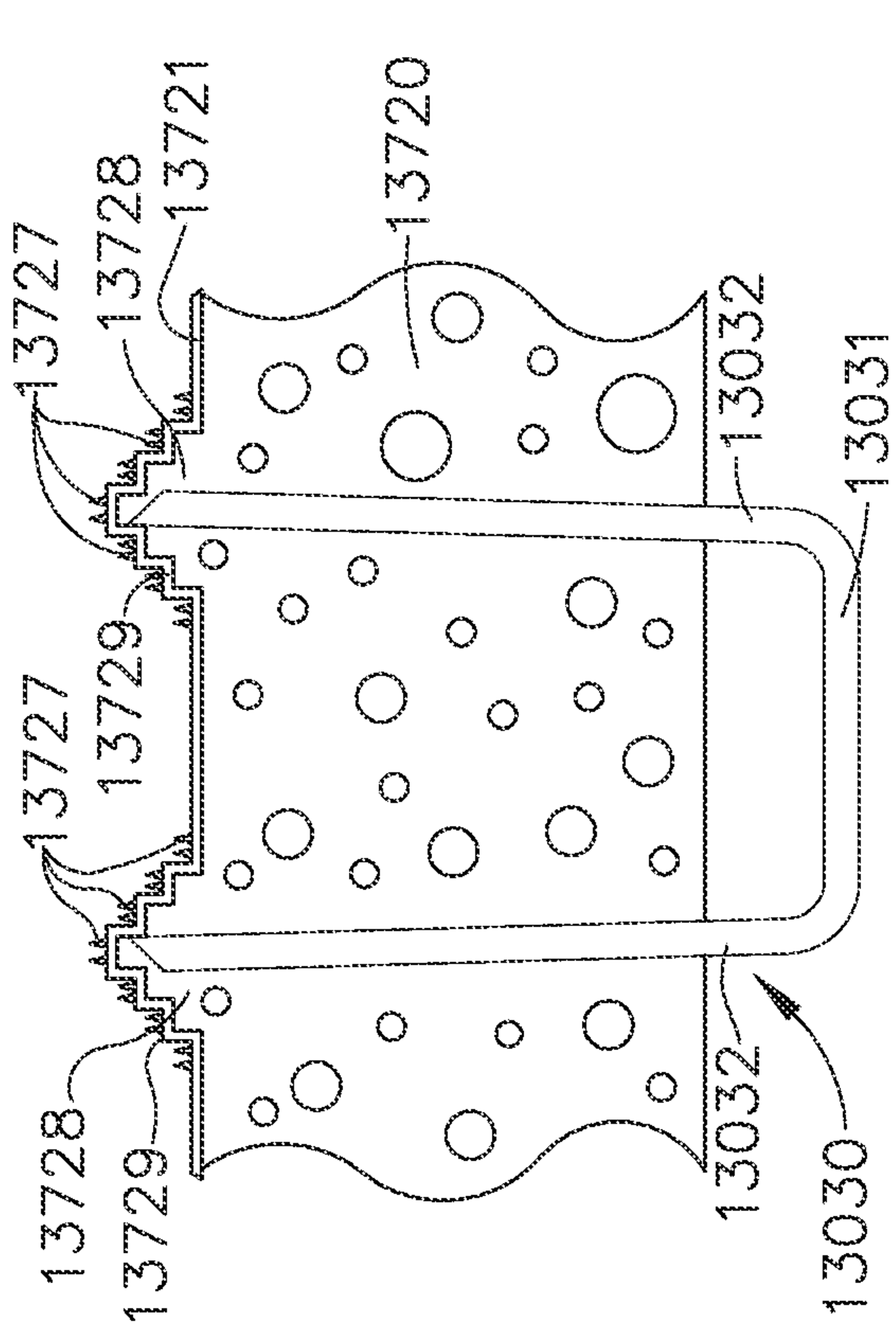


FIG. 141

13829

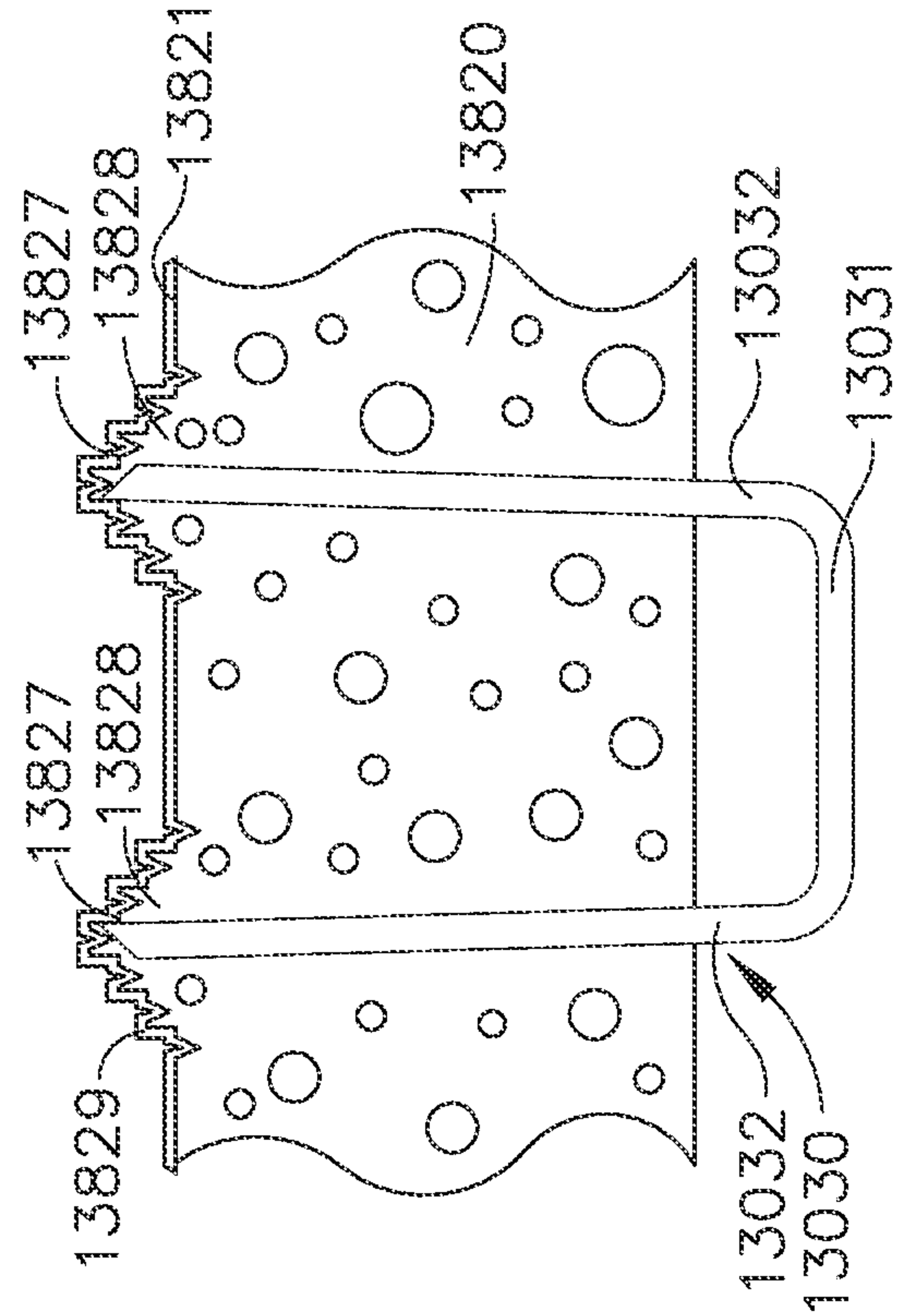


FIG. 143

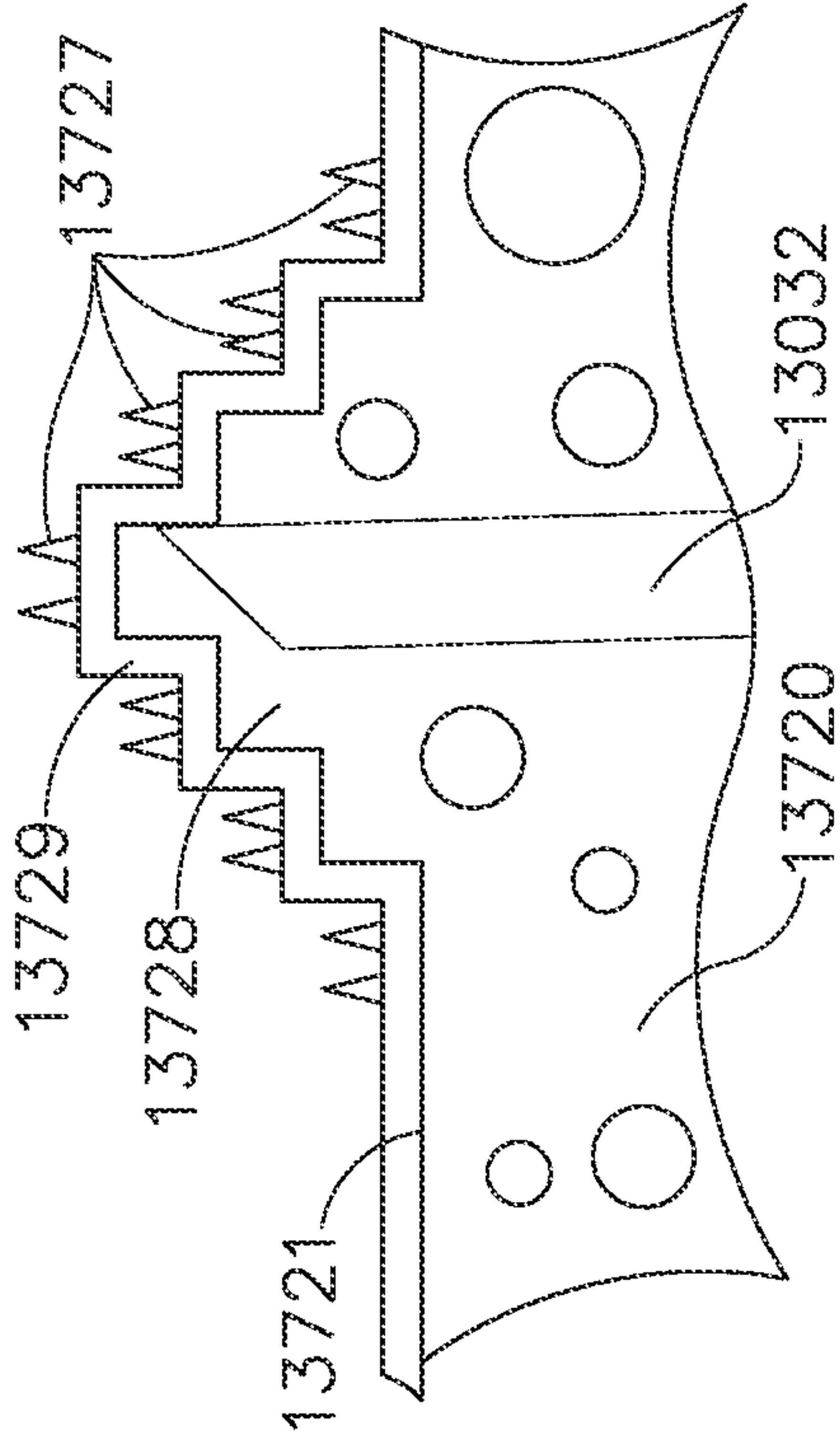


FIG. 142

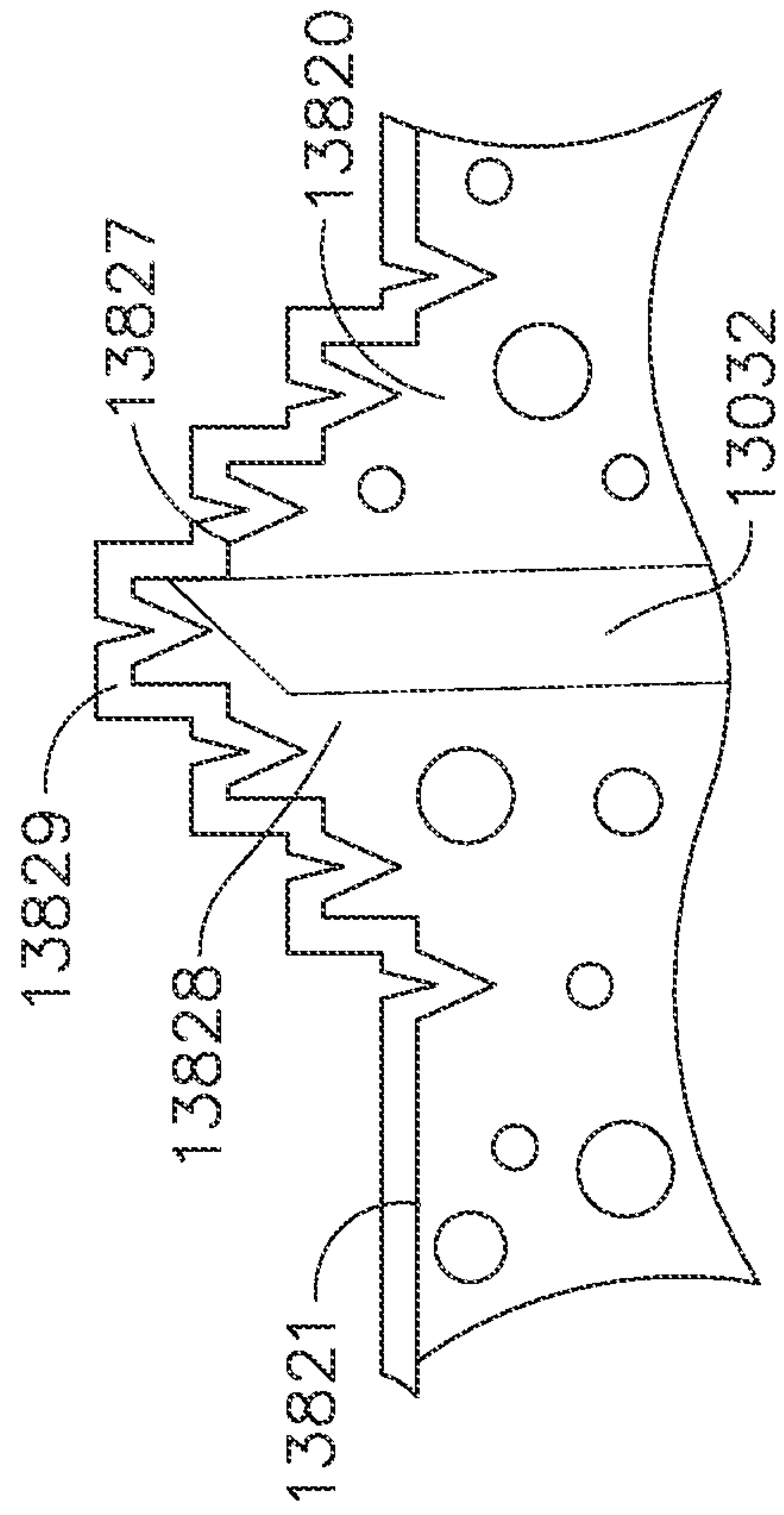


FIG. 144

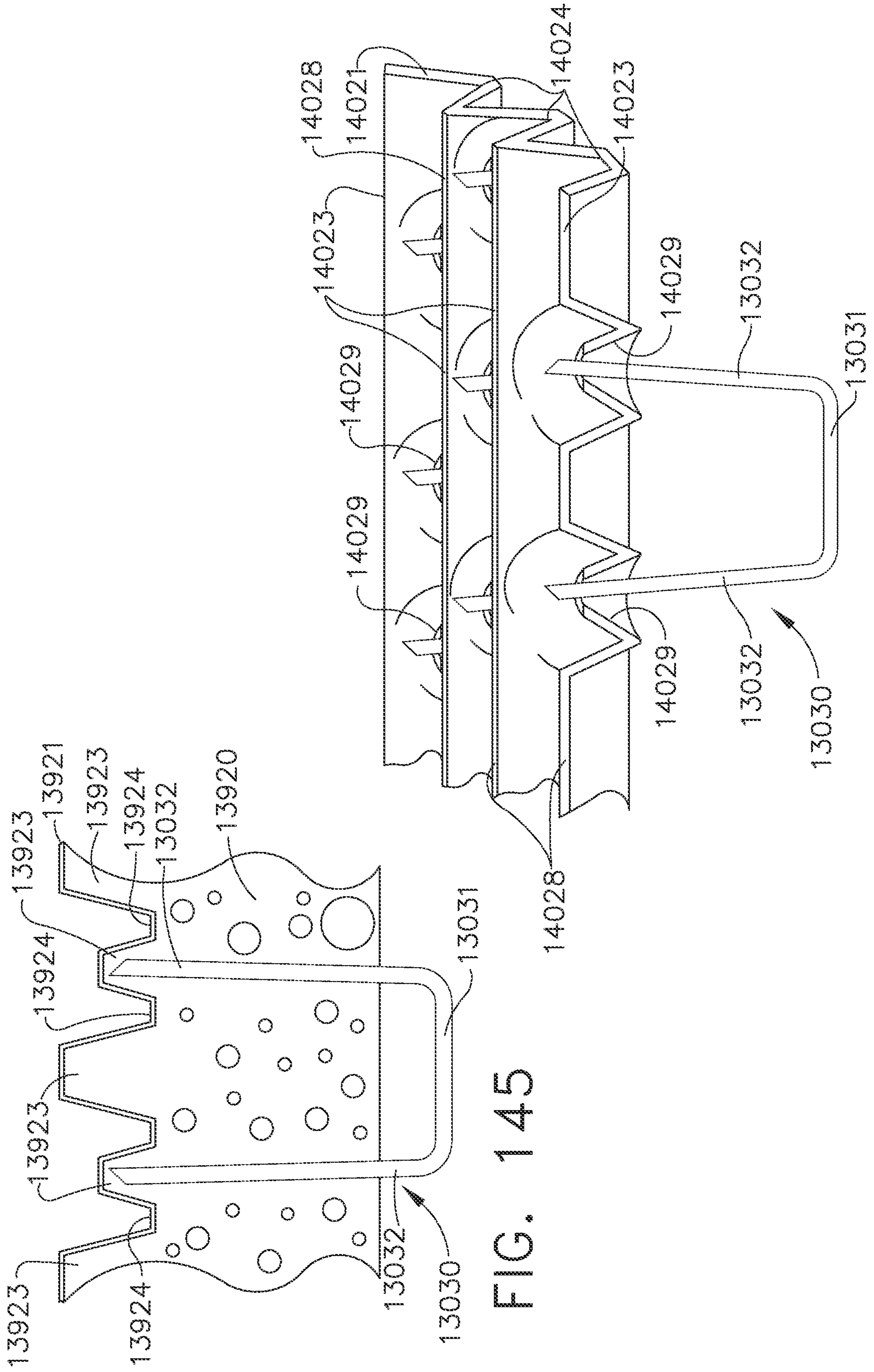


FIG. 145

FIG. 146

101/177

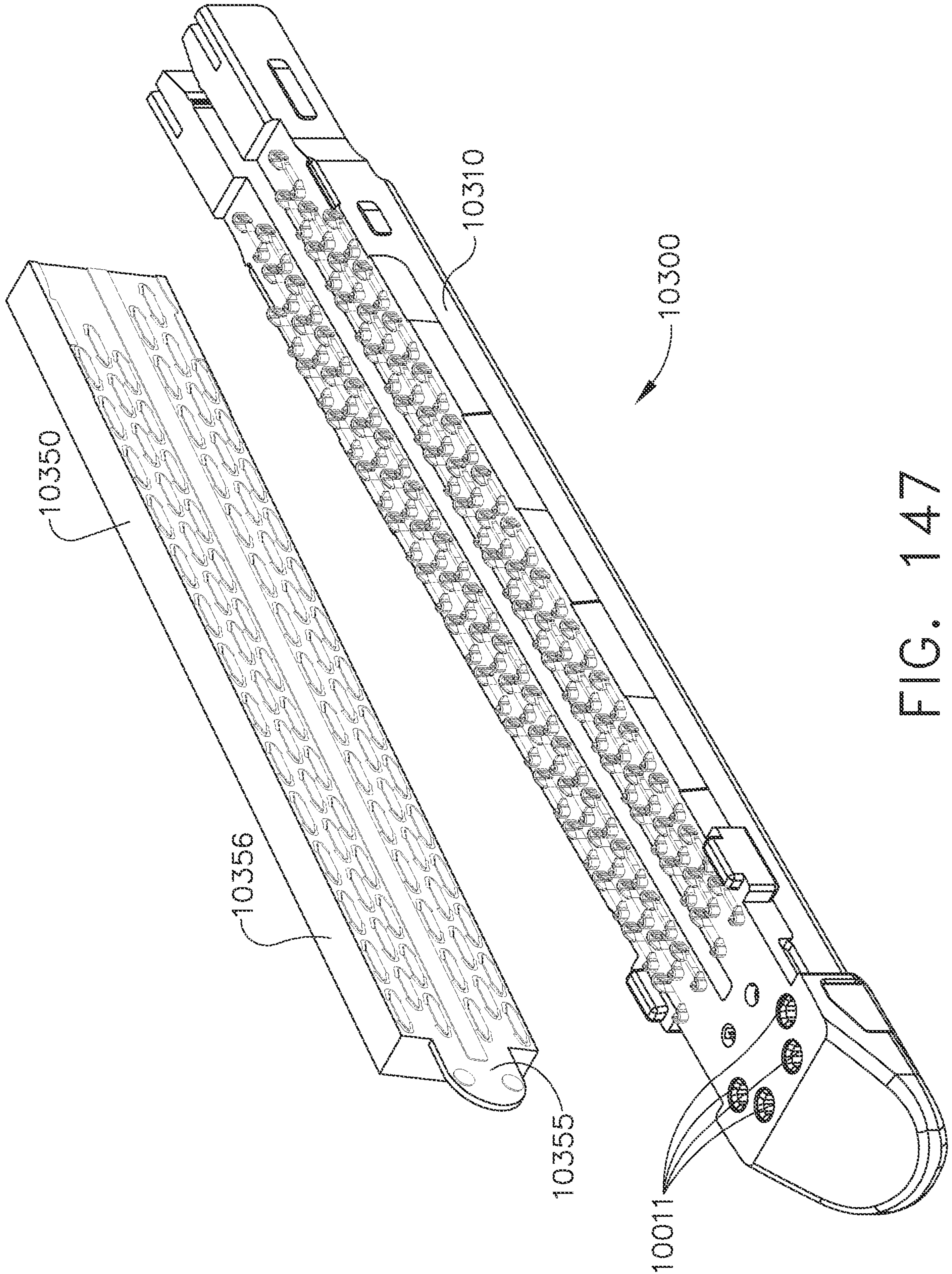


FIG. 147

102/177

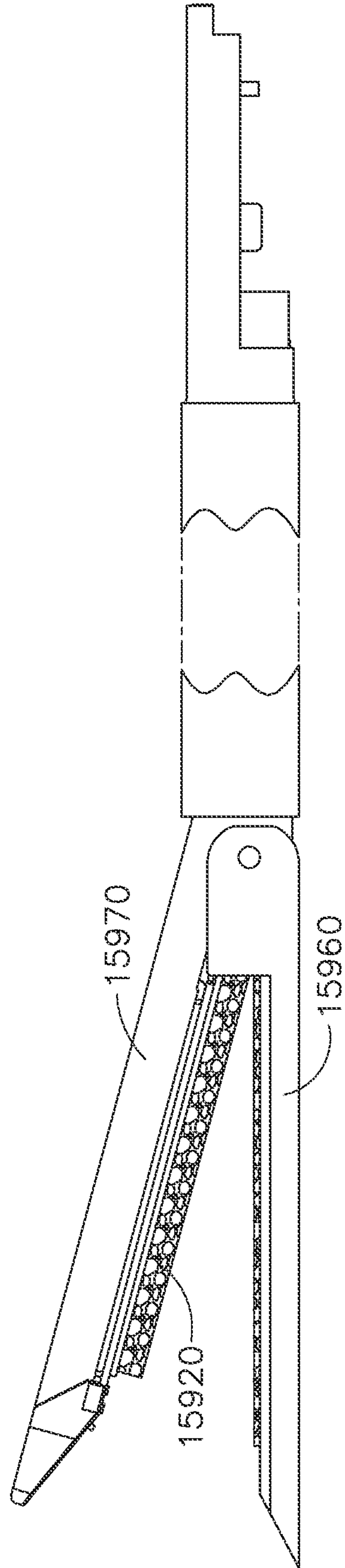


FIG. 148

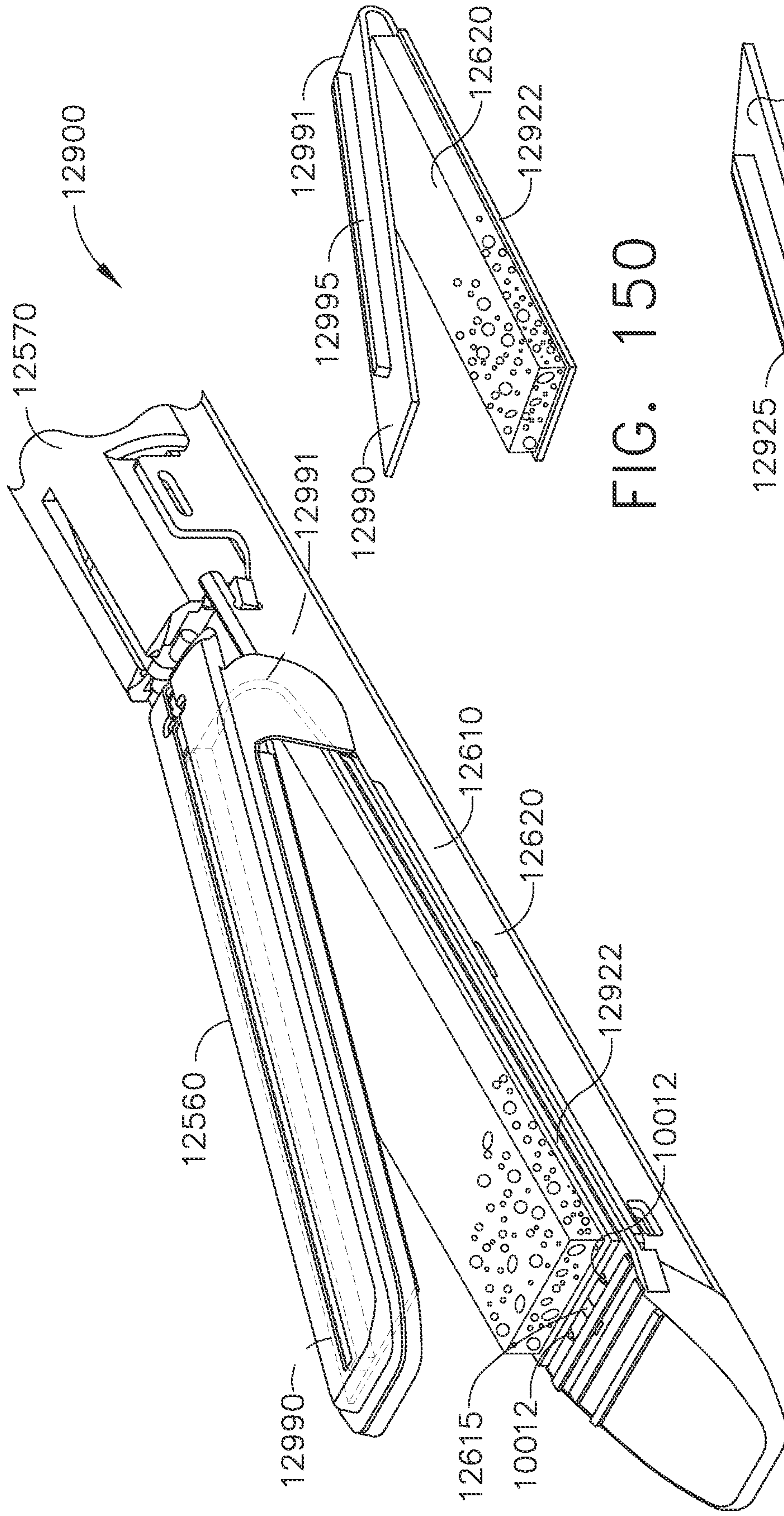


FIG. 149

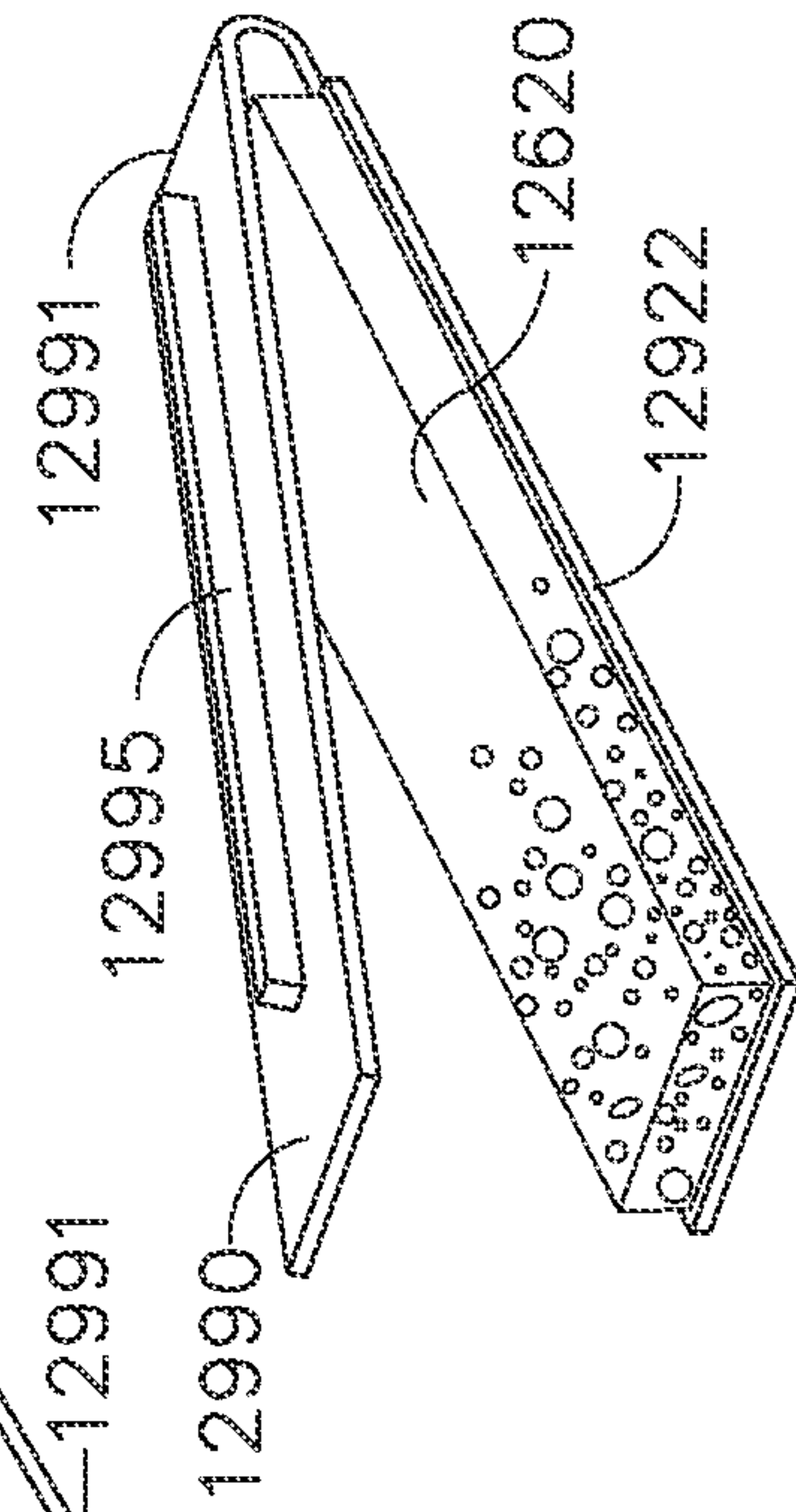


FIG. 150

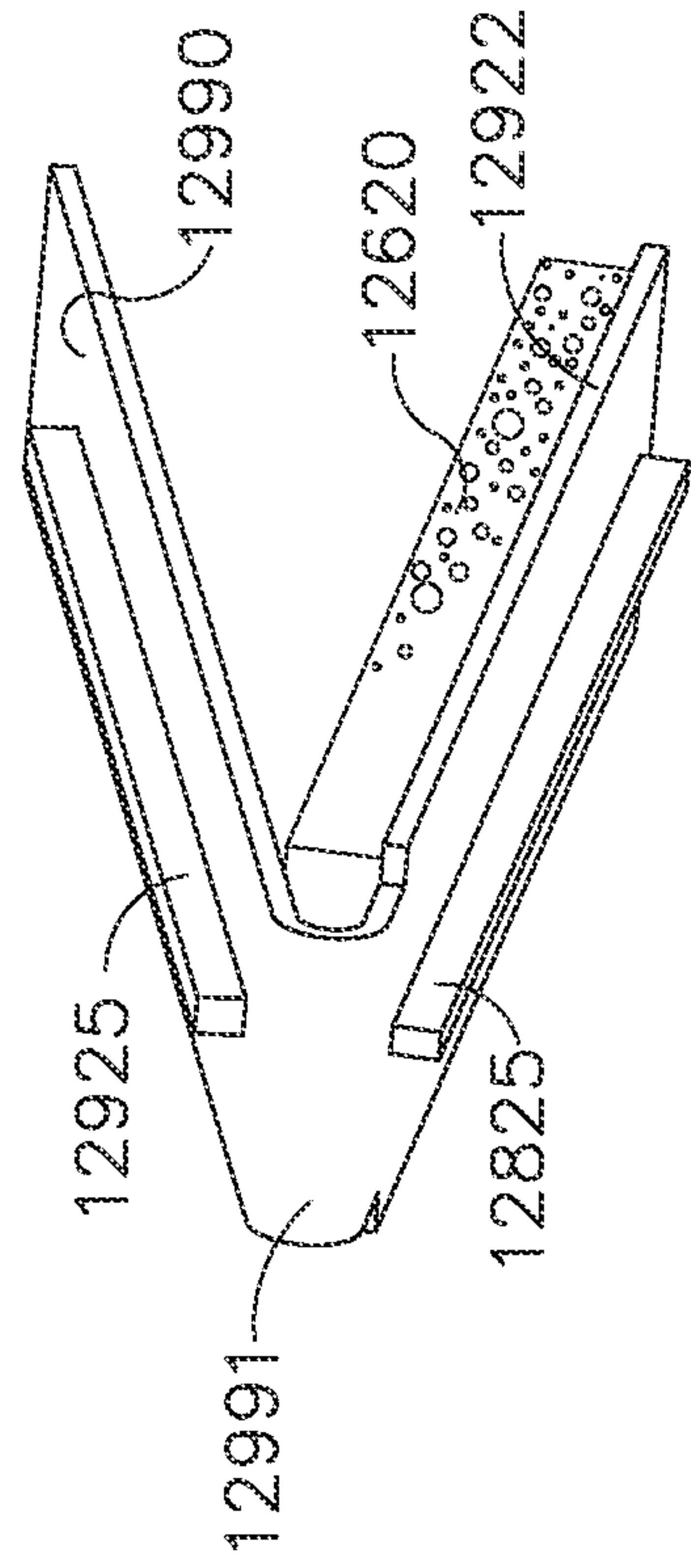


FIG. 151



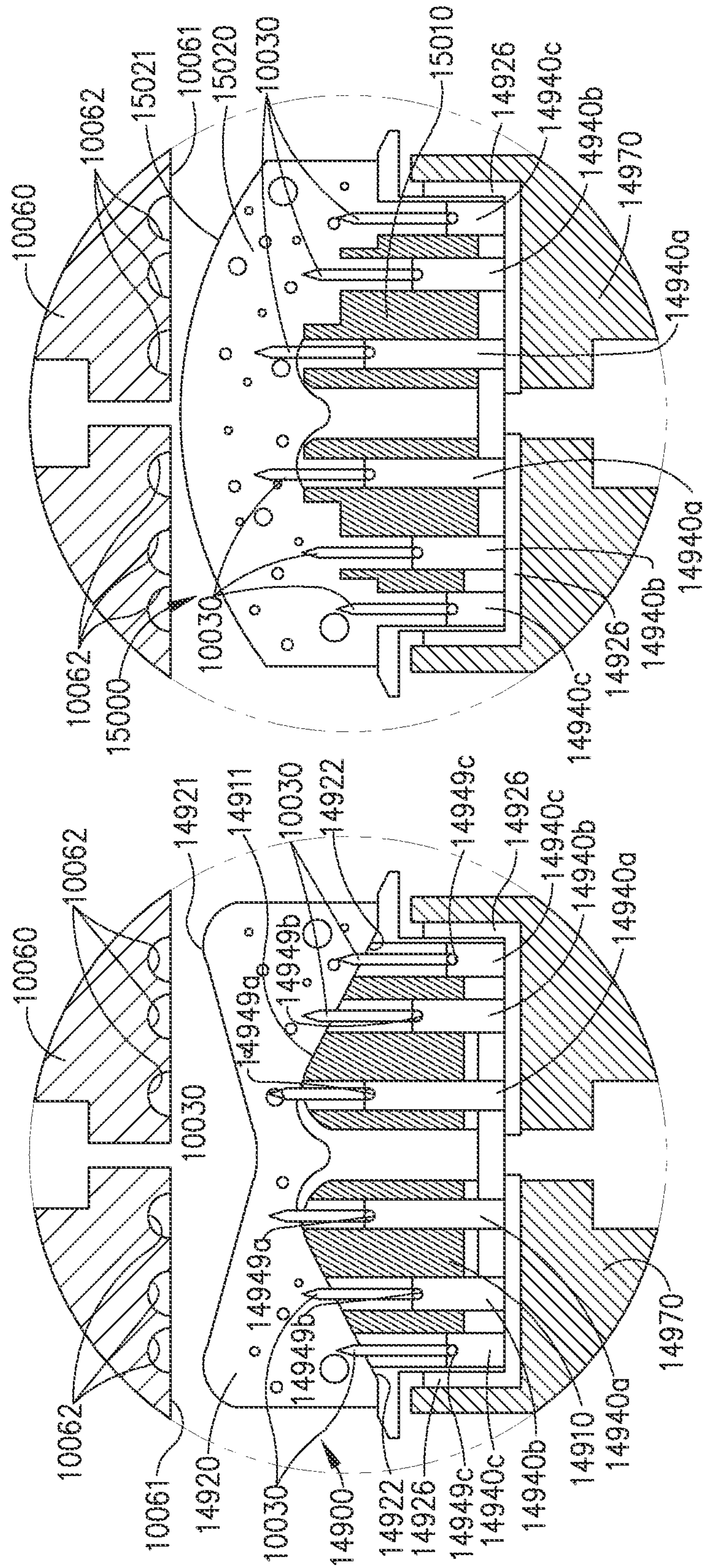


FIG. 153

FIG. 152

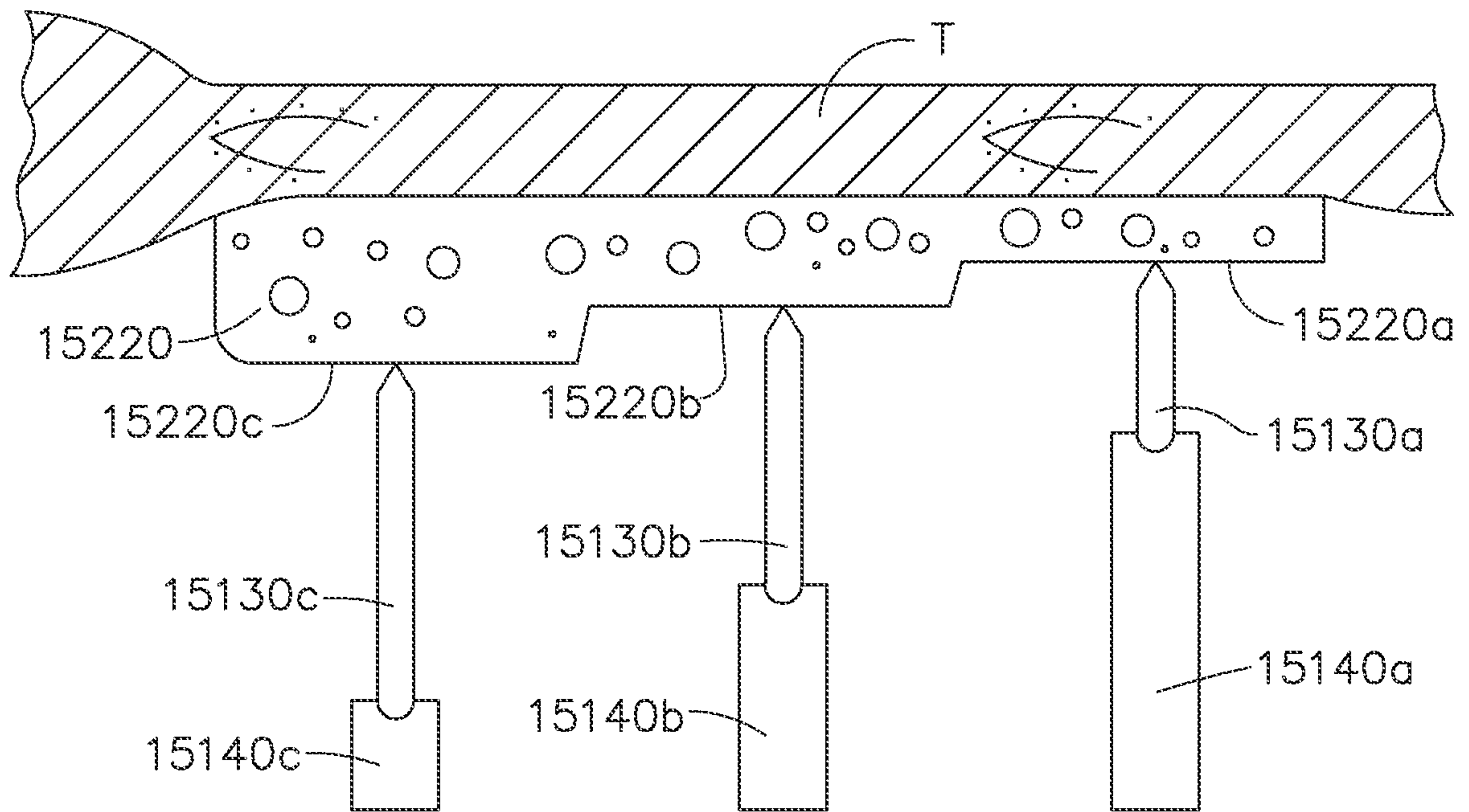


FIG. 154

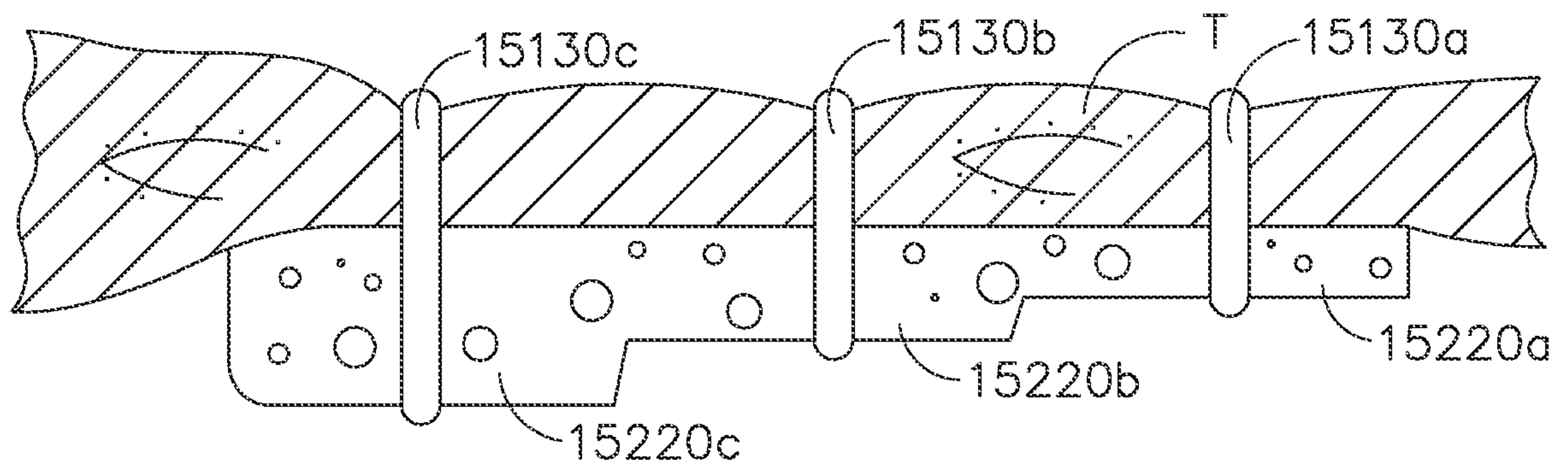


FIG. 155

106/177

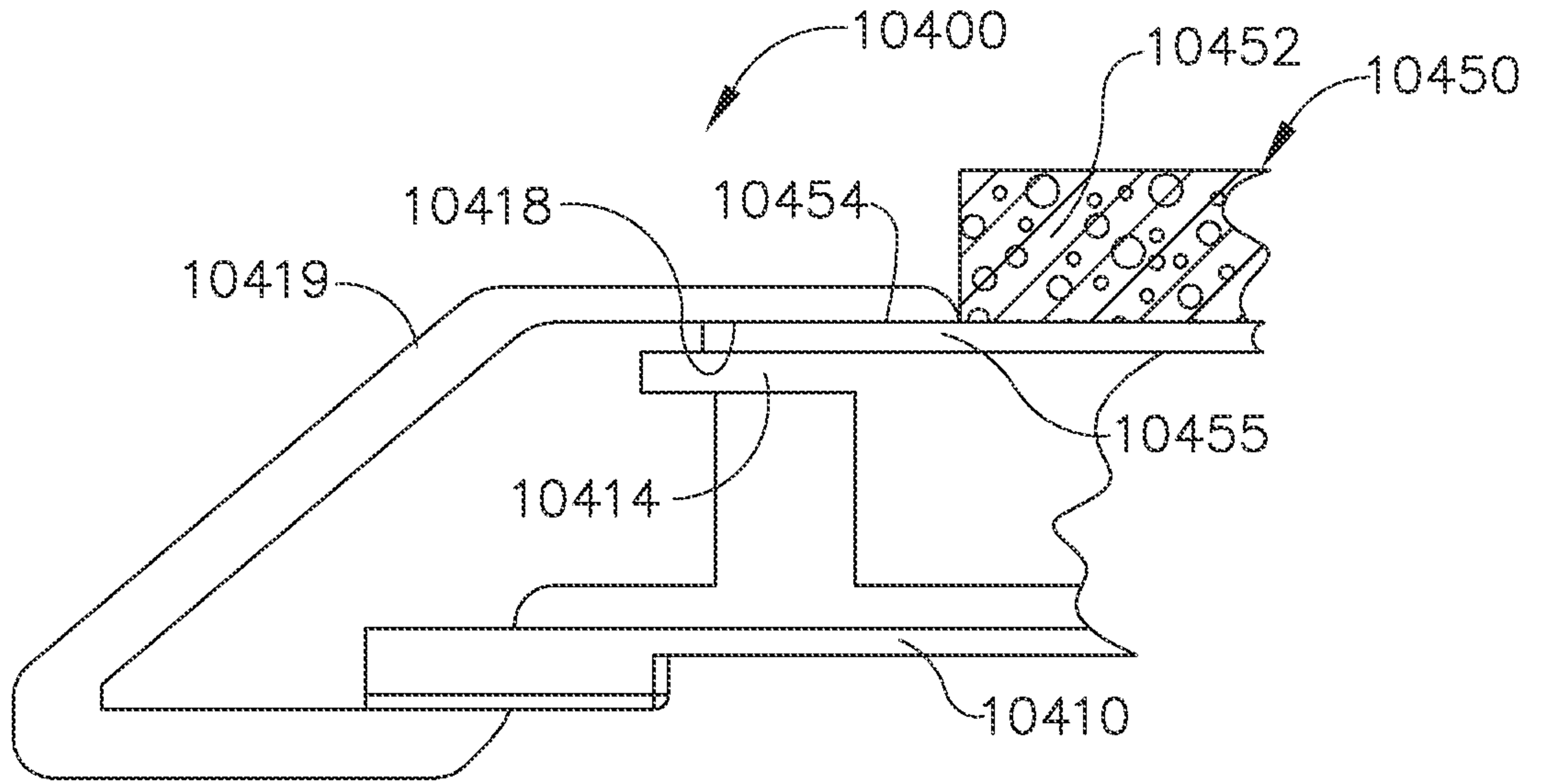


FIG. 156

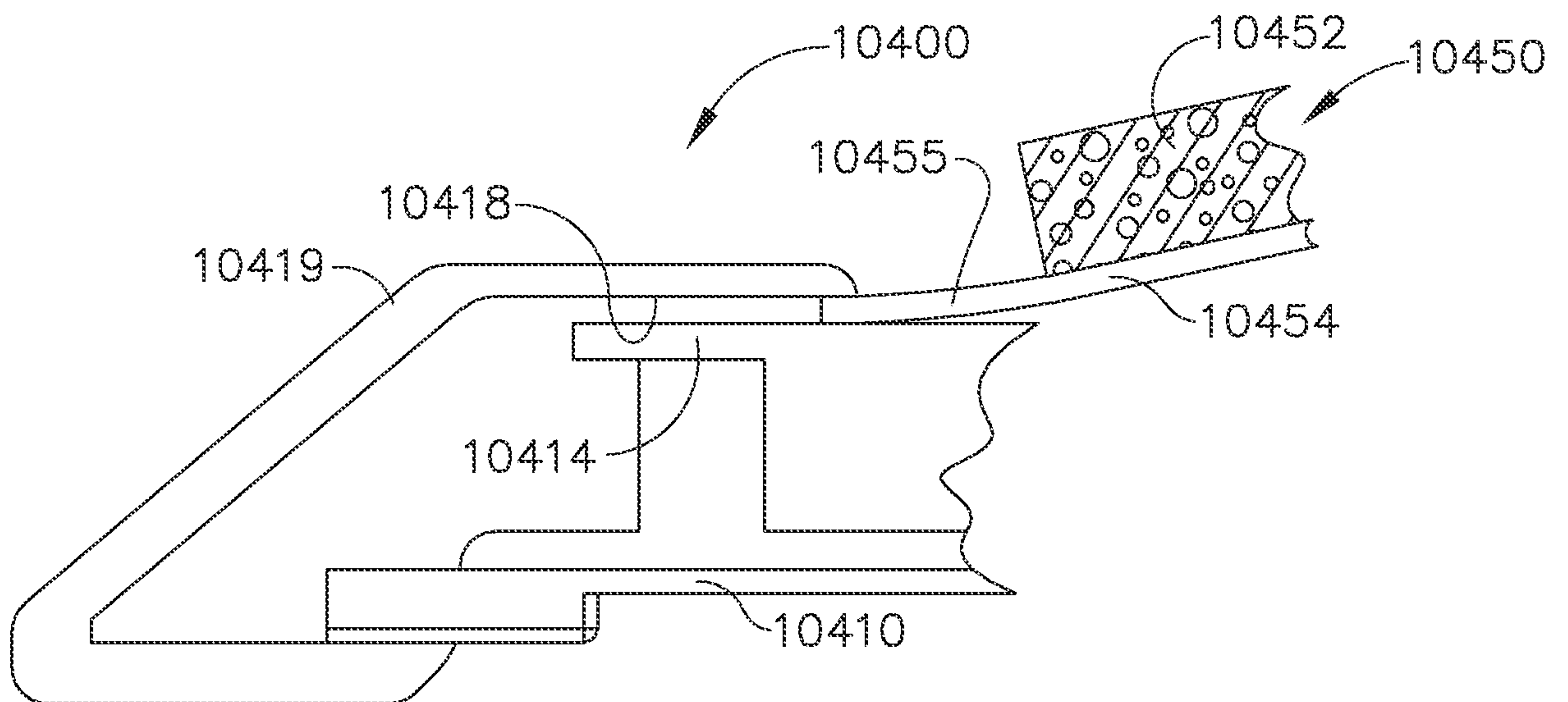


FIG. 157

107/177

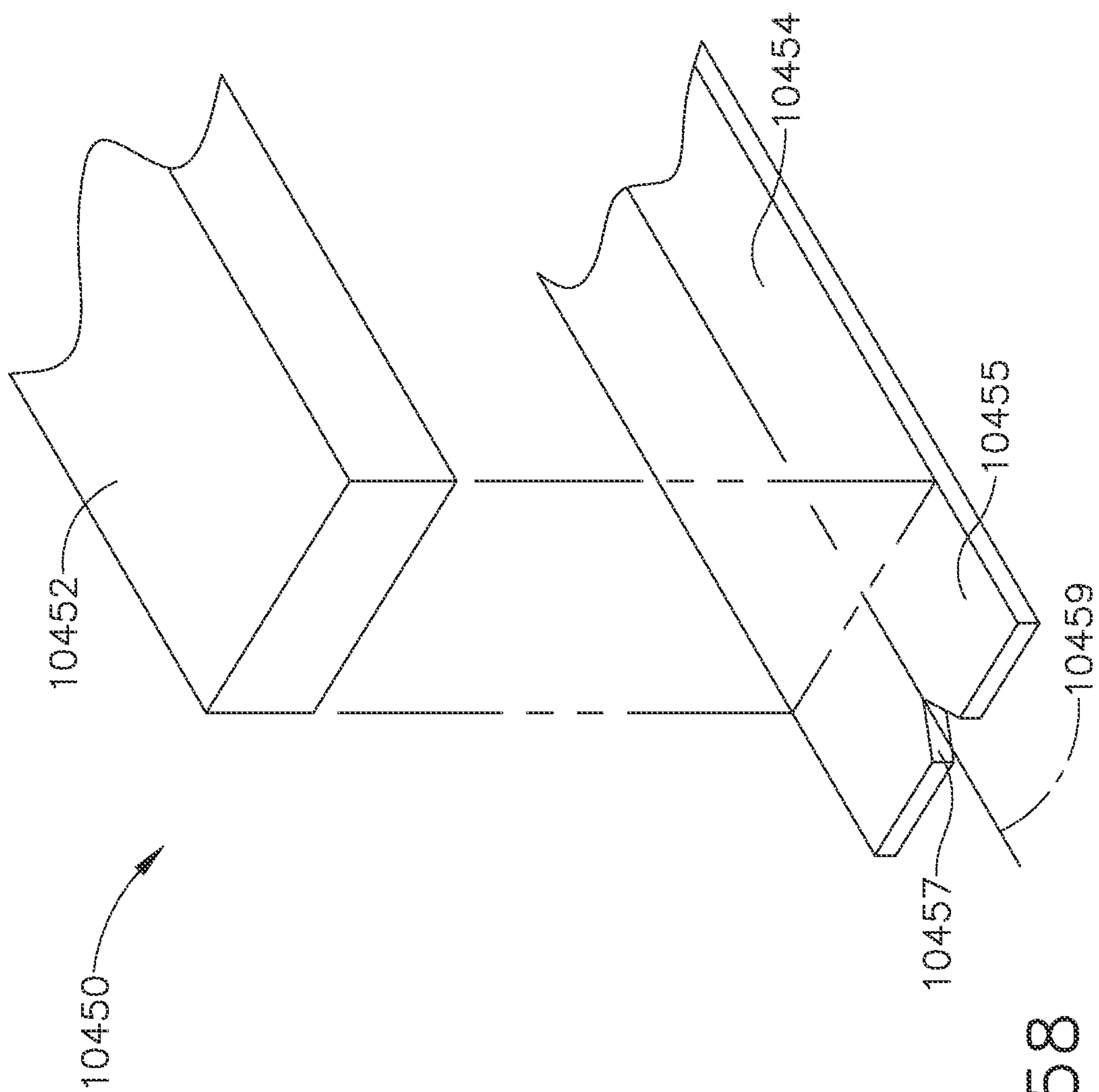


FIG. 158

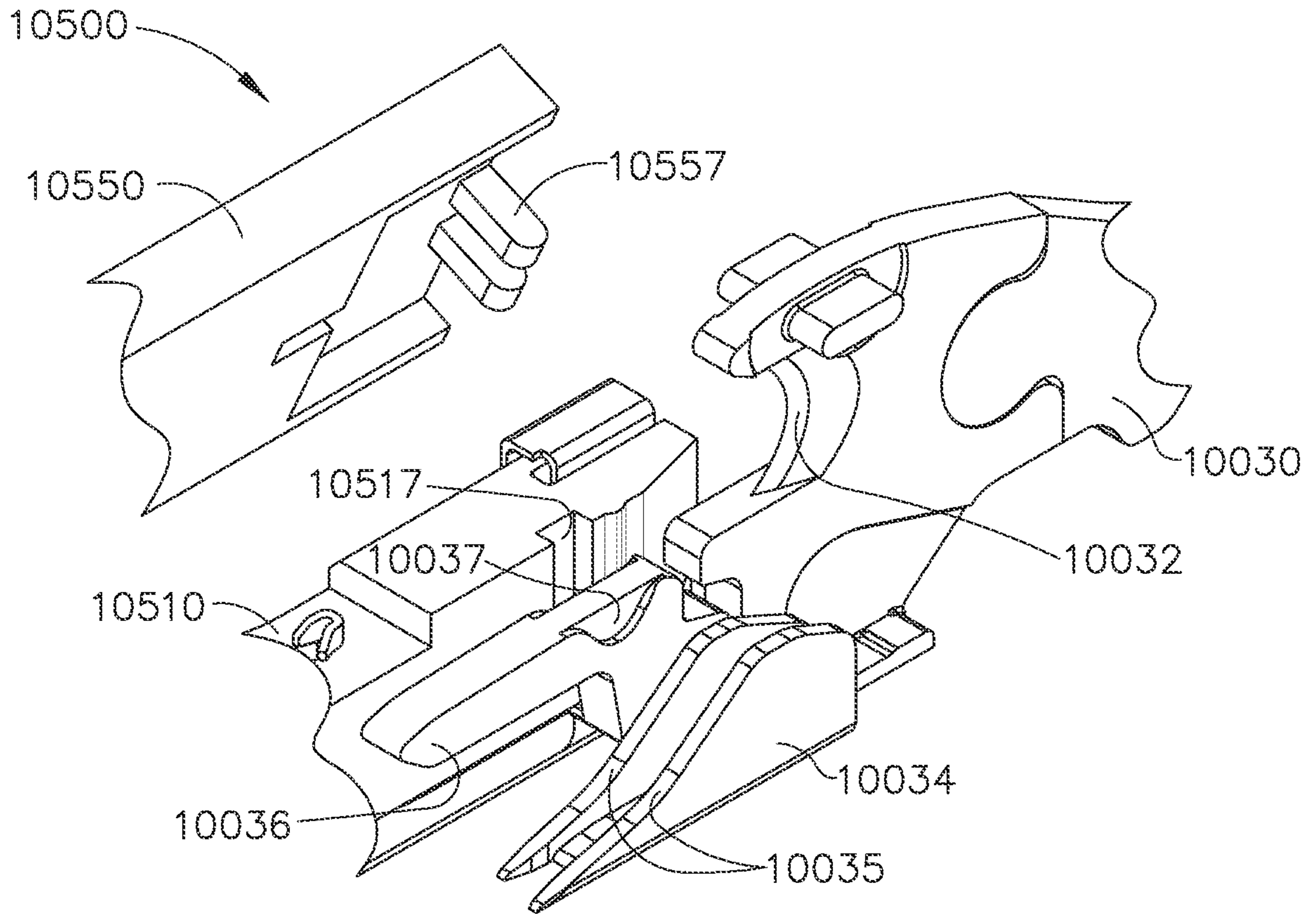


FIG. 159

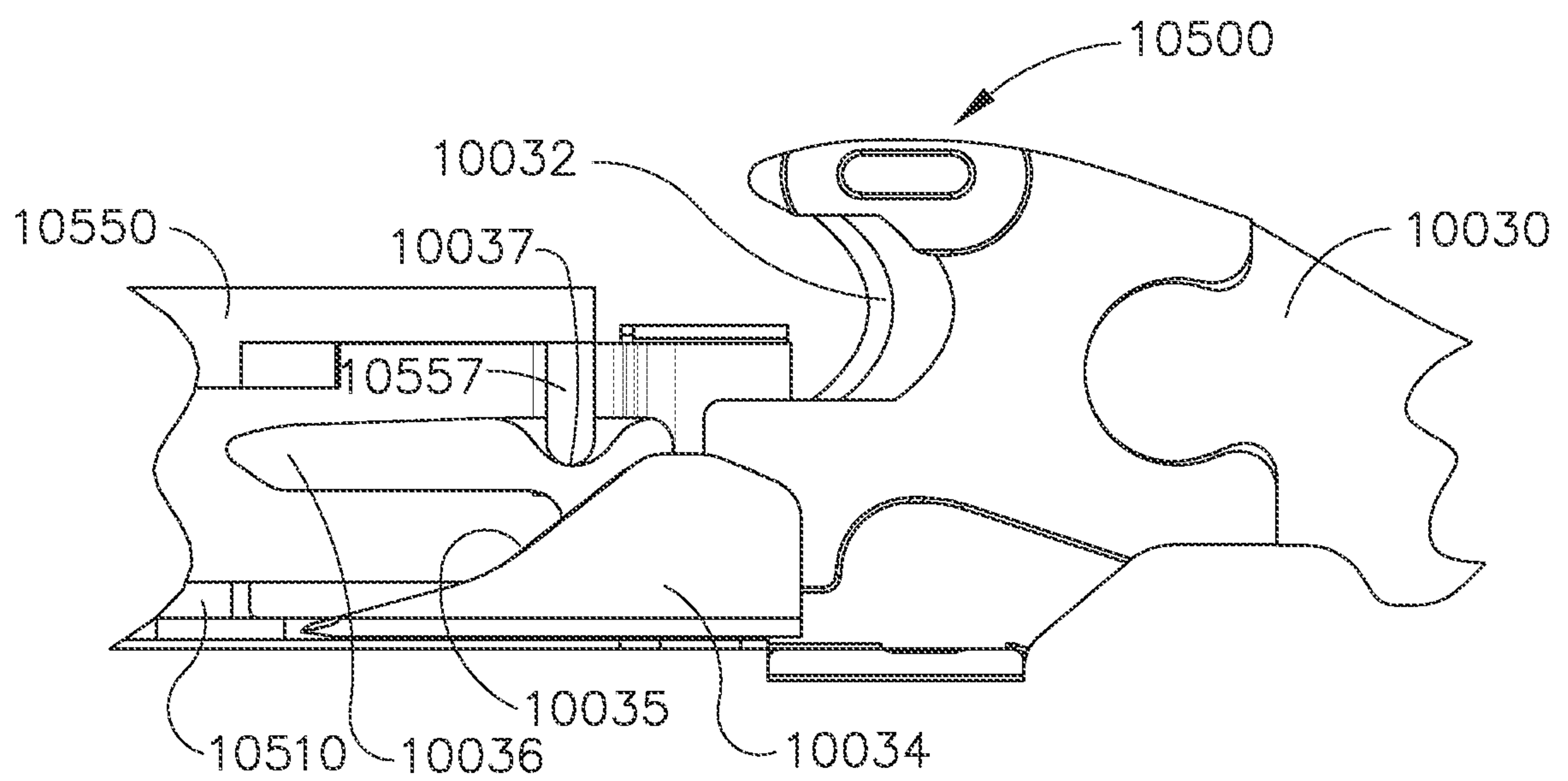


FIG. 160

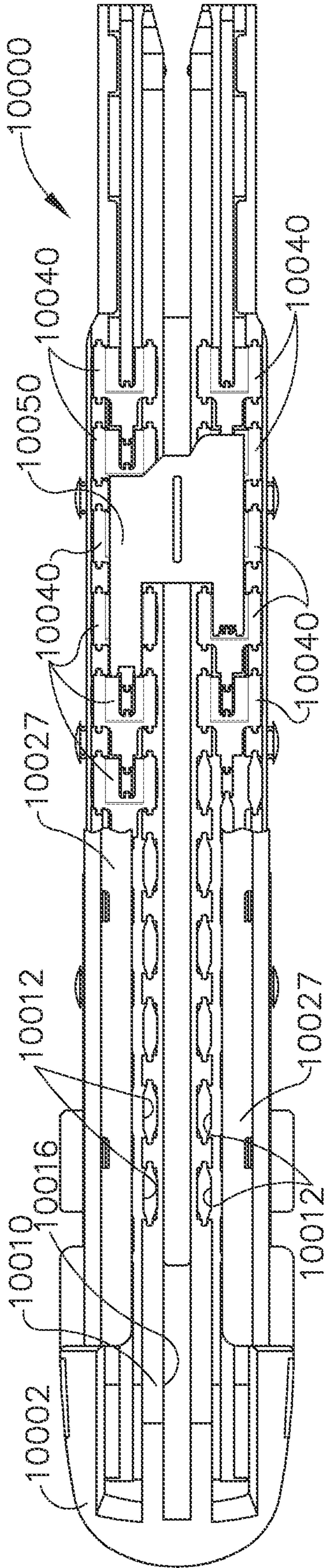


FIG. 161

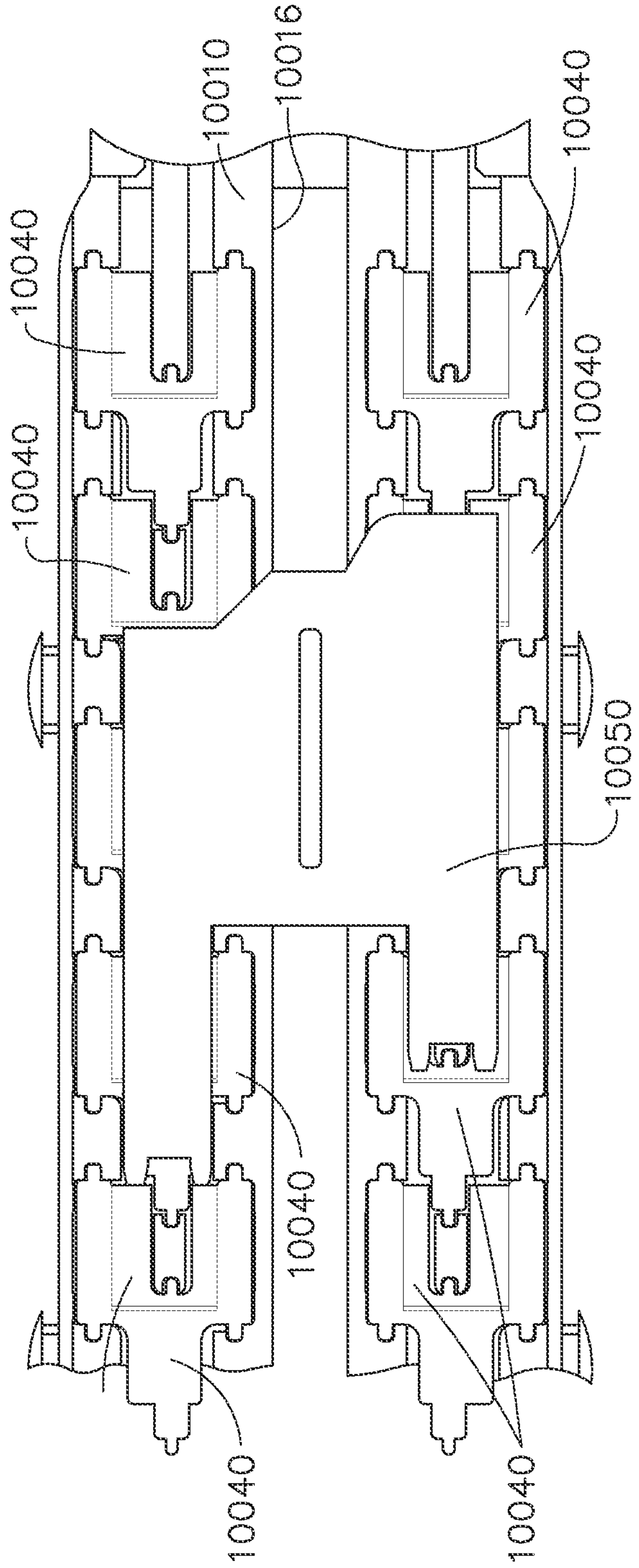


FIG. 162

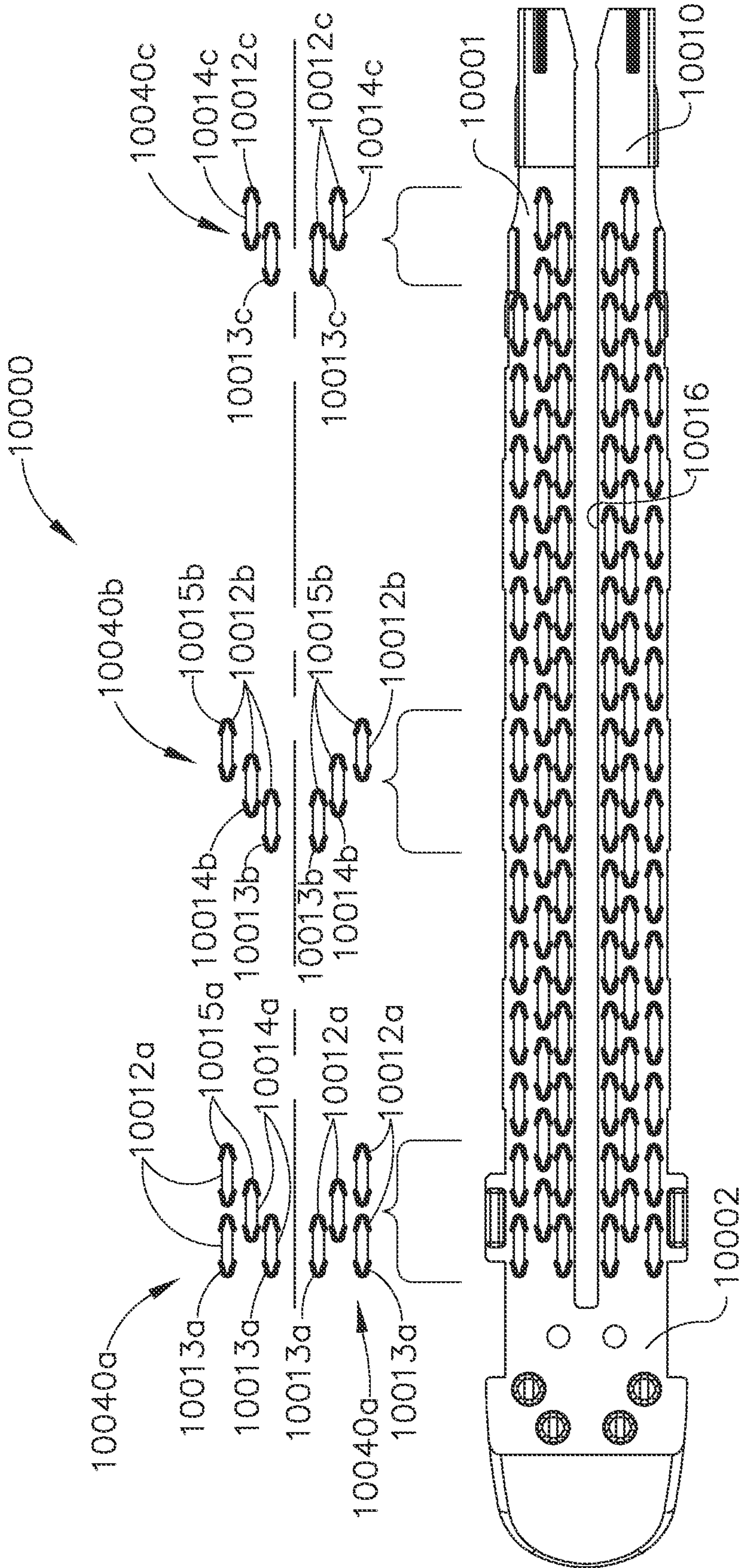


FIG. 163

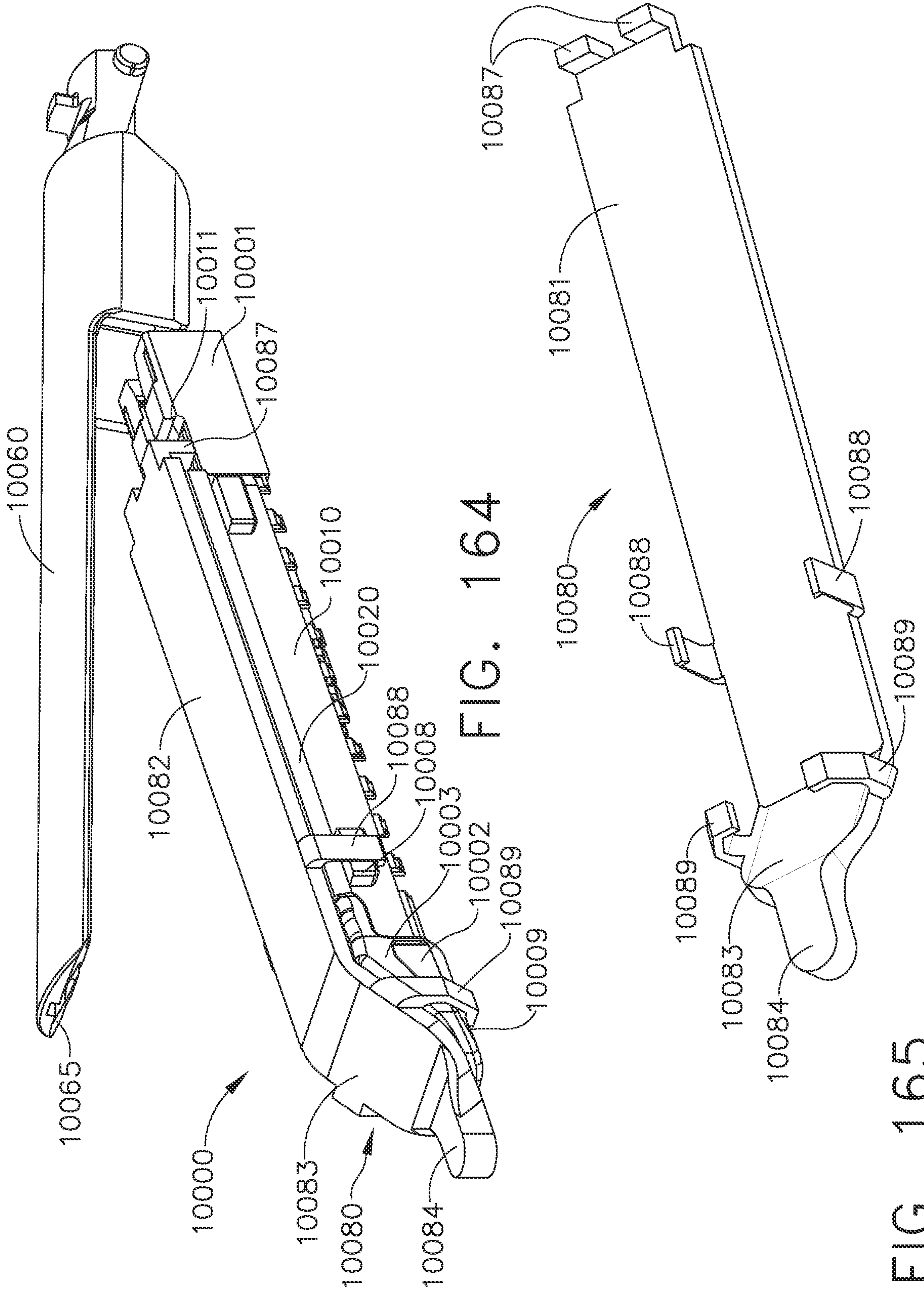


FIG. 164

FIG. 165



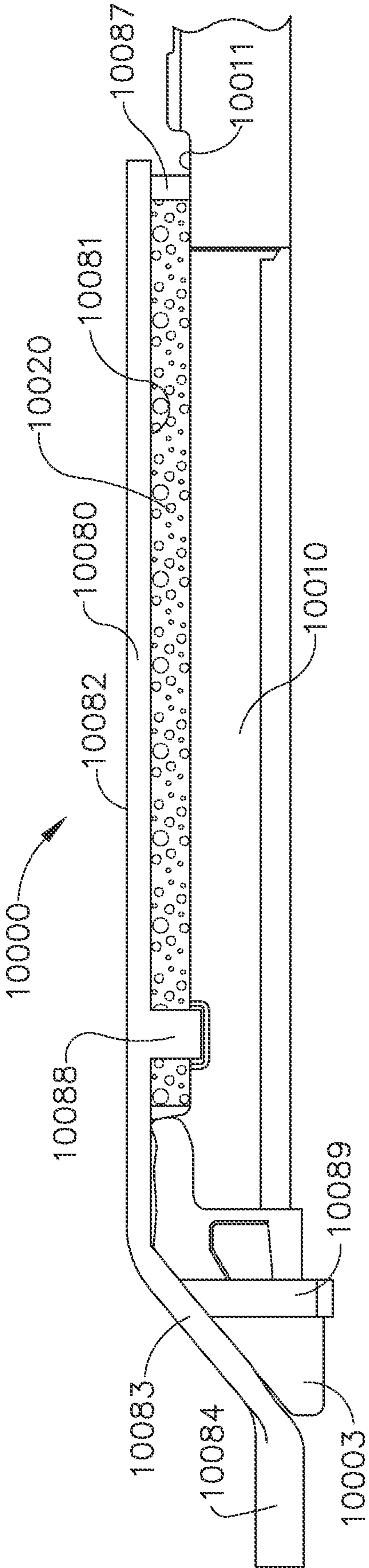


FIG. 166

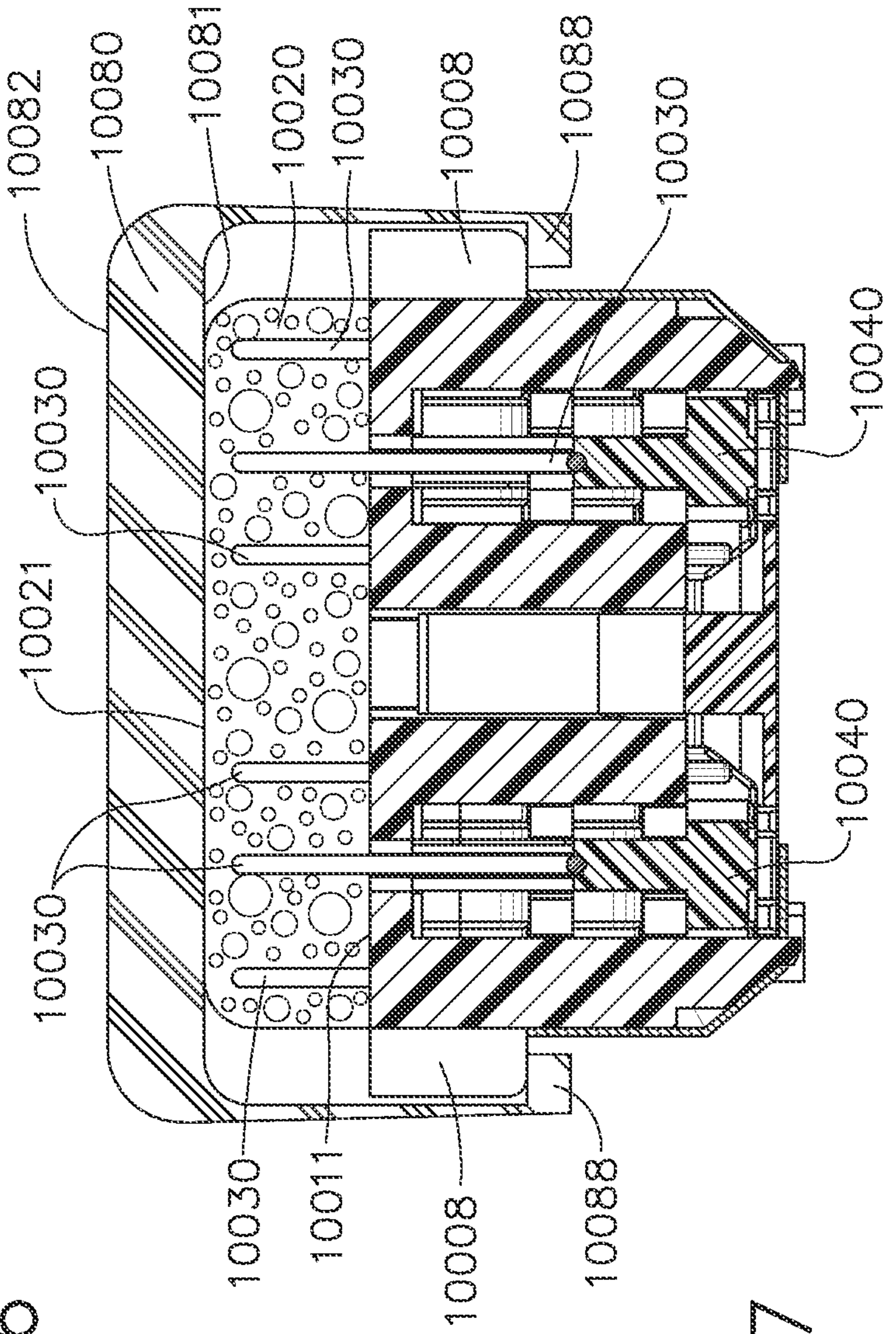


FIG. 167

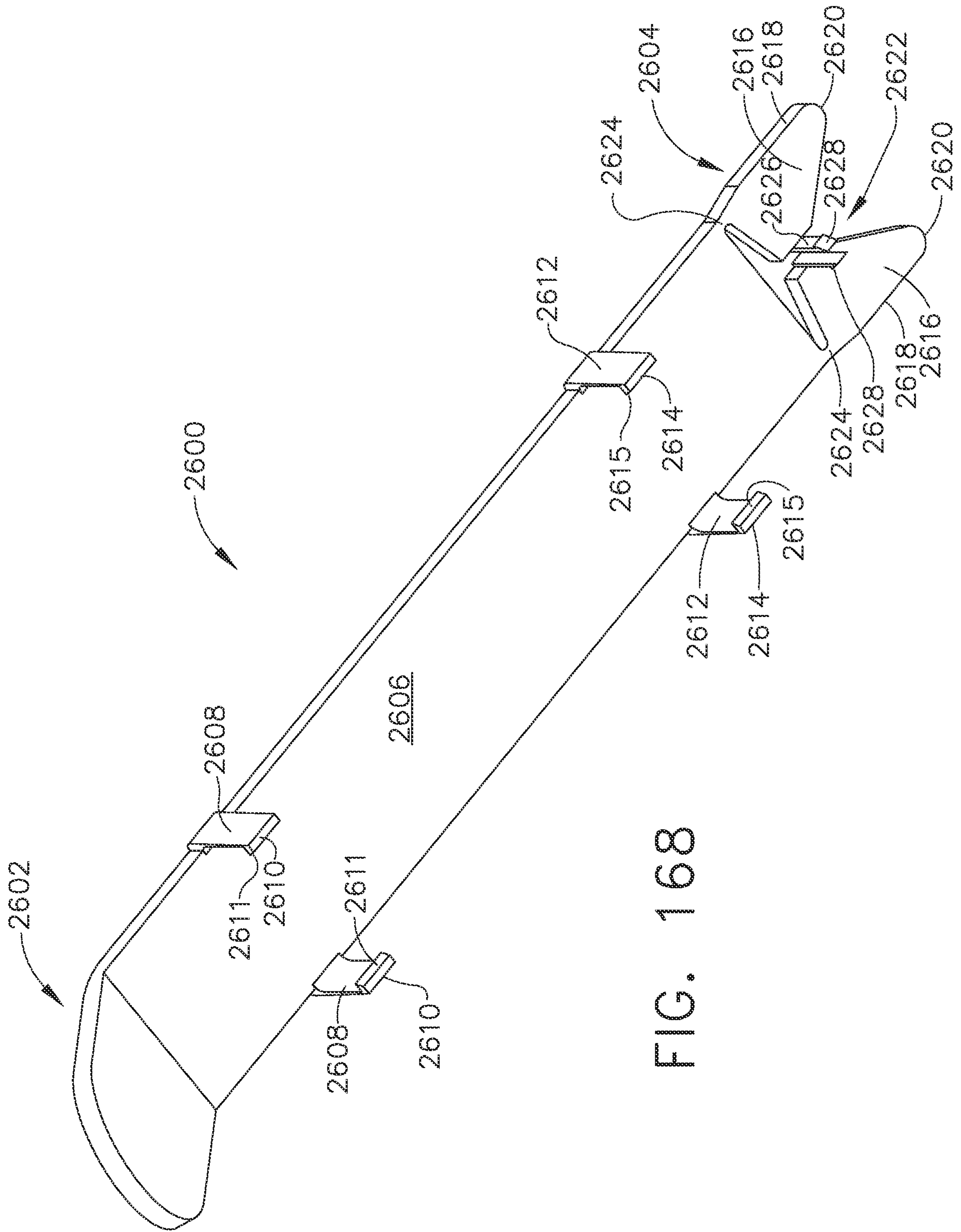


FIG. 168

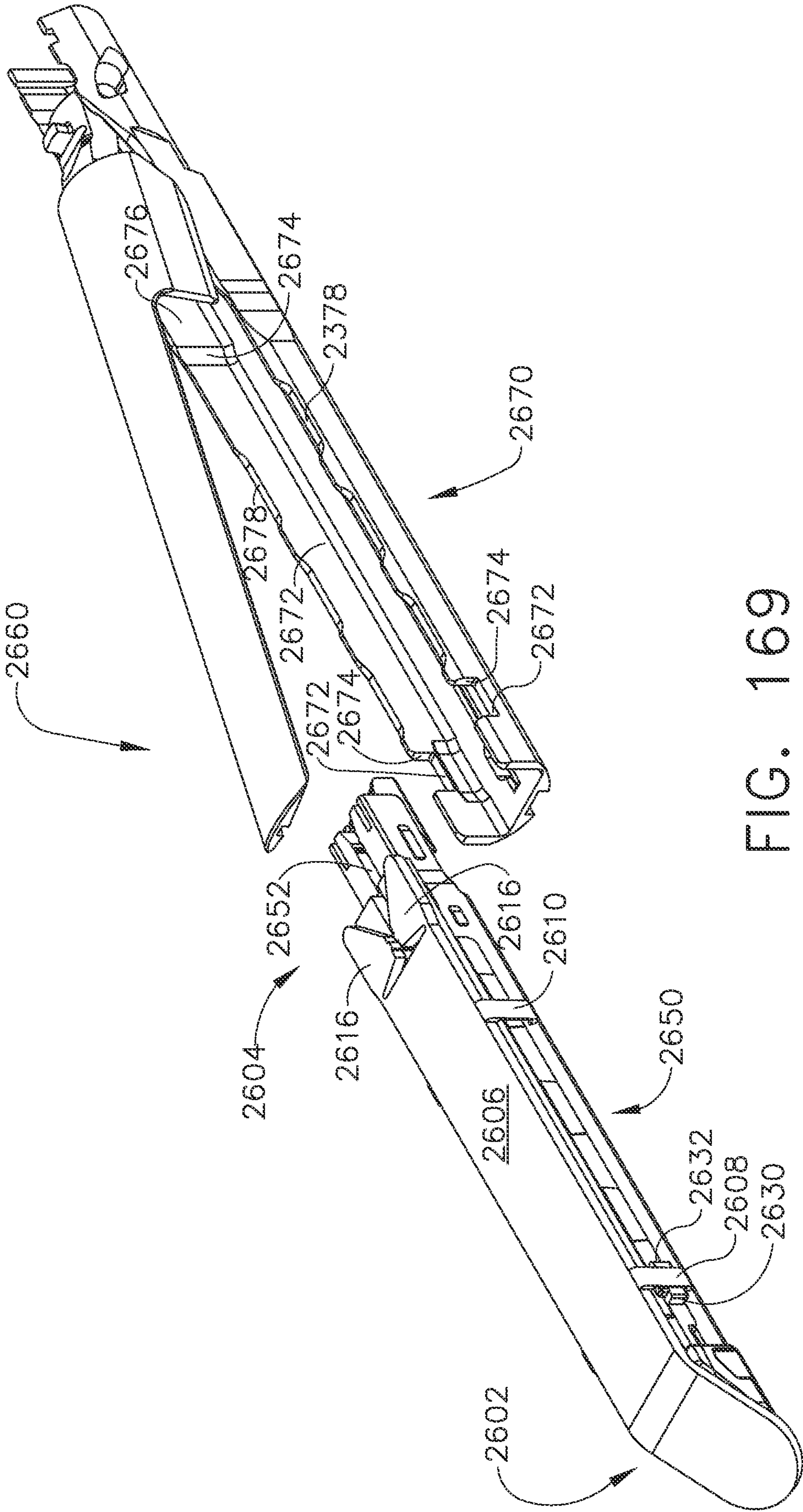


FIG. 169

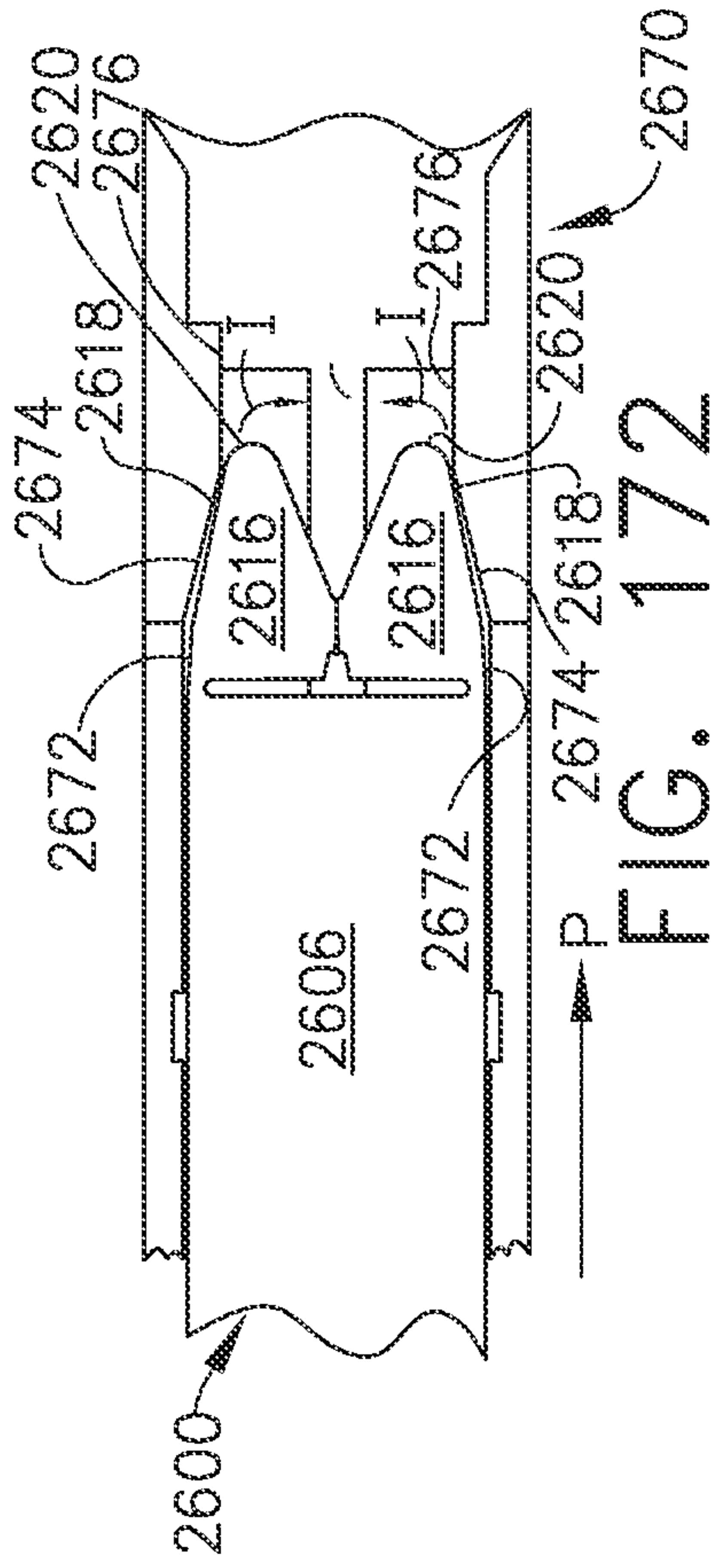


FIG. 170

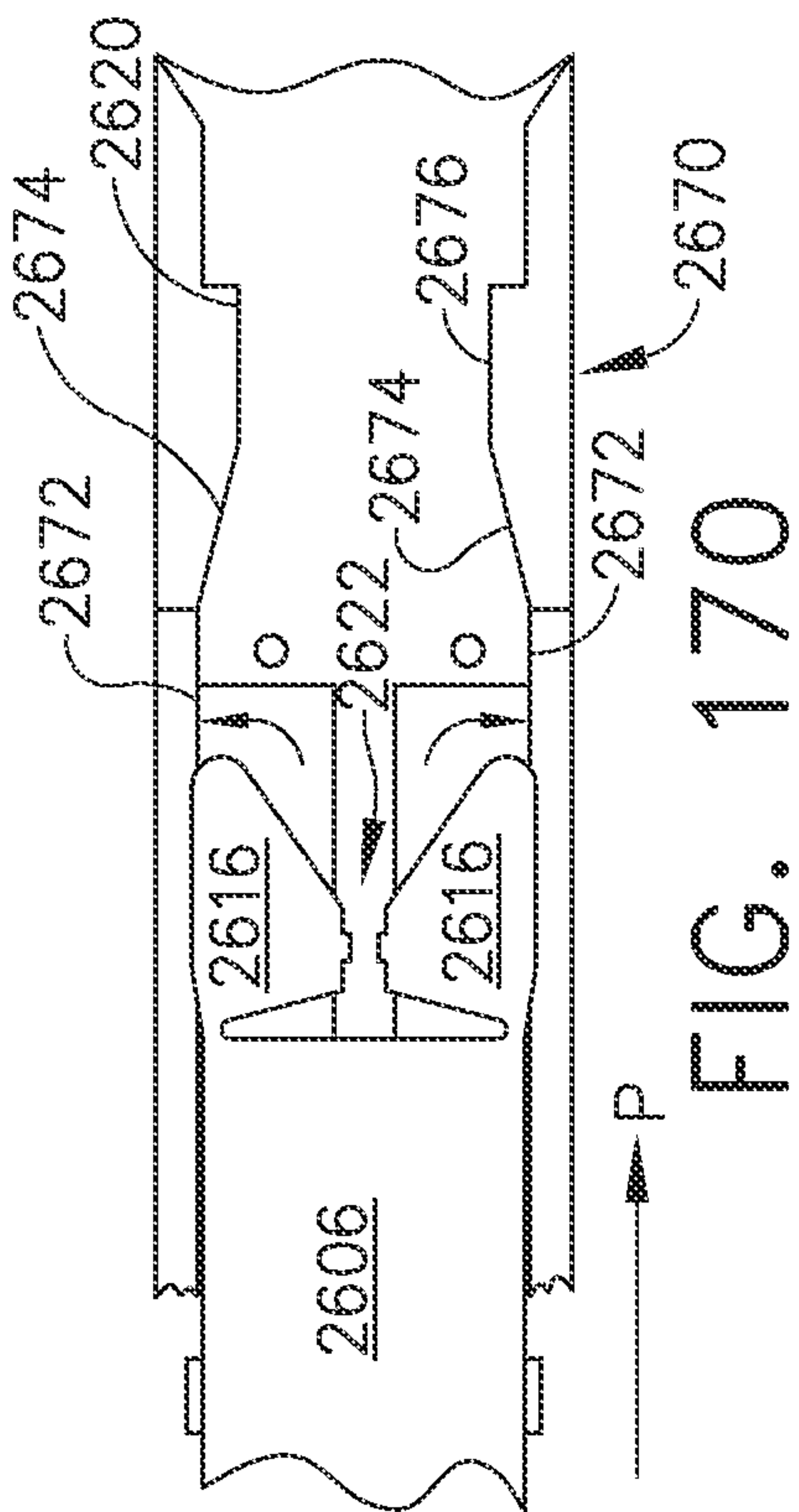


FIG. 171

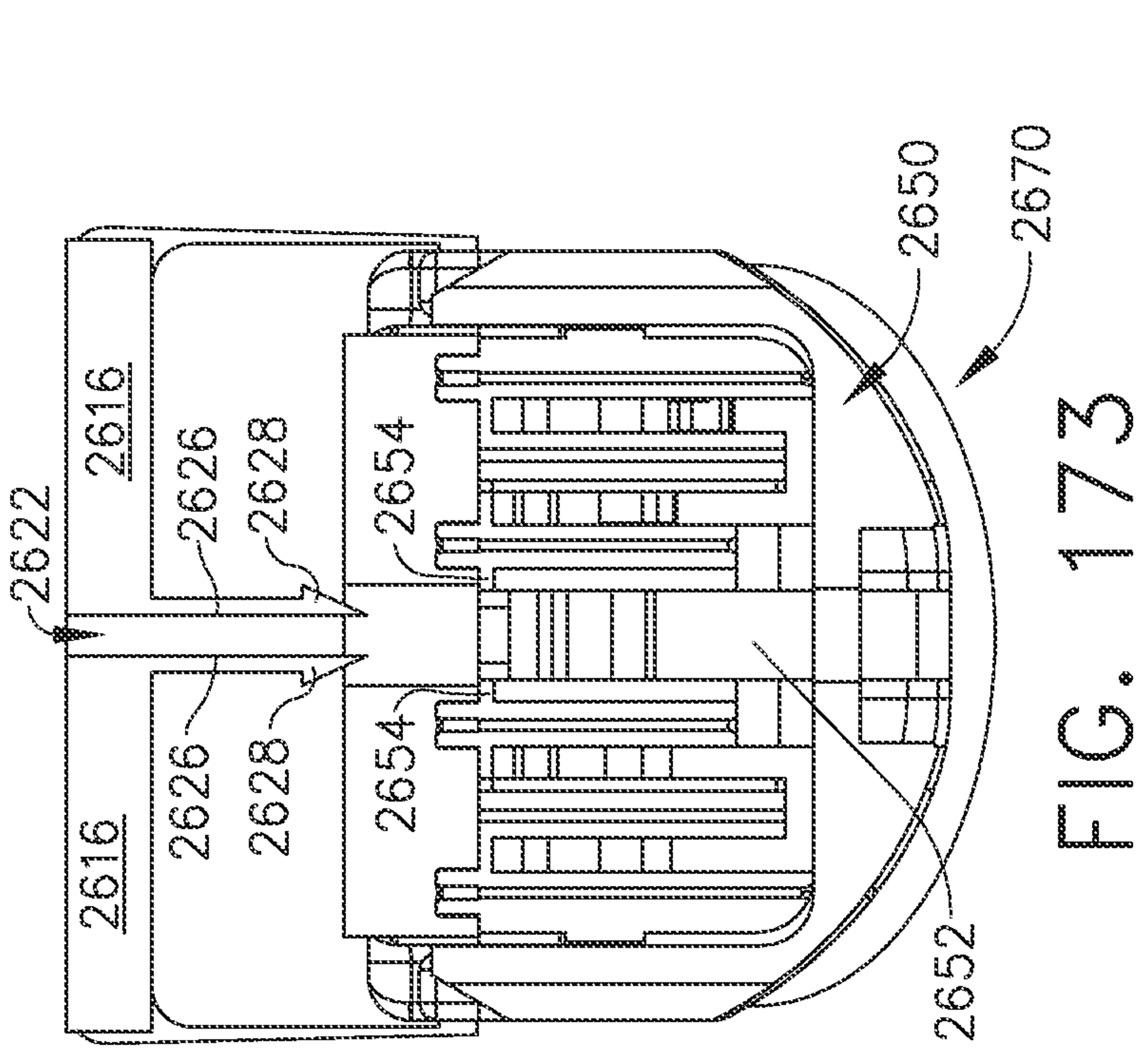


FIG. 172

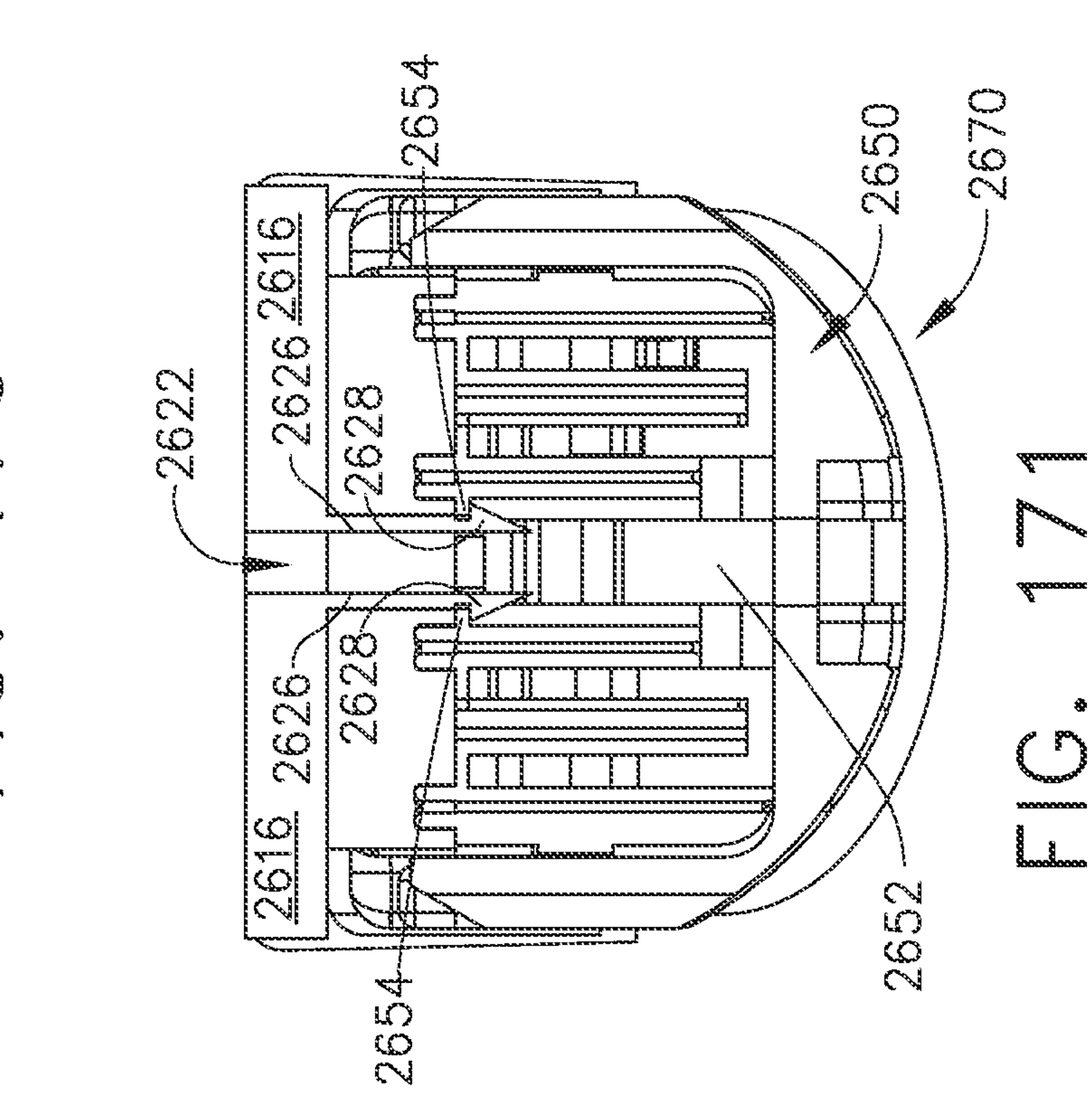


FIG. 173

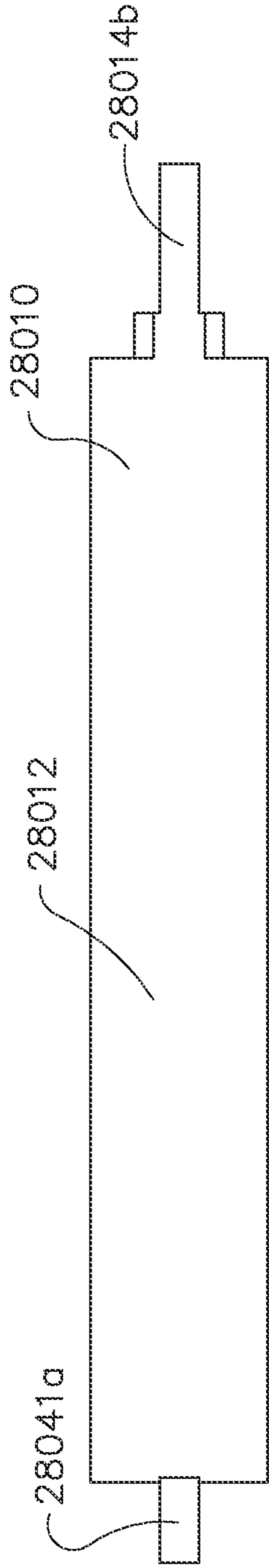


FIG. 174

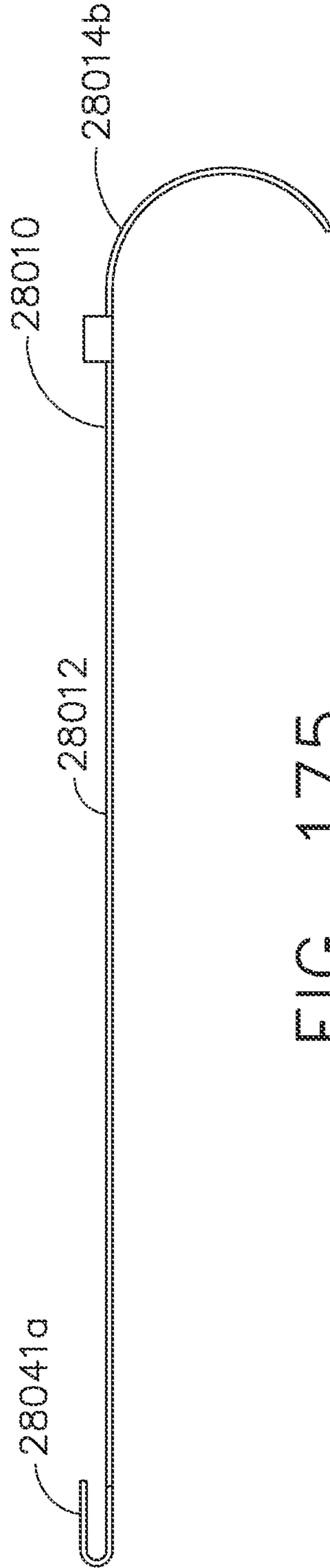


FIG. 175

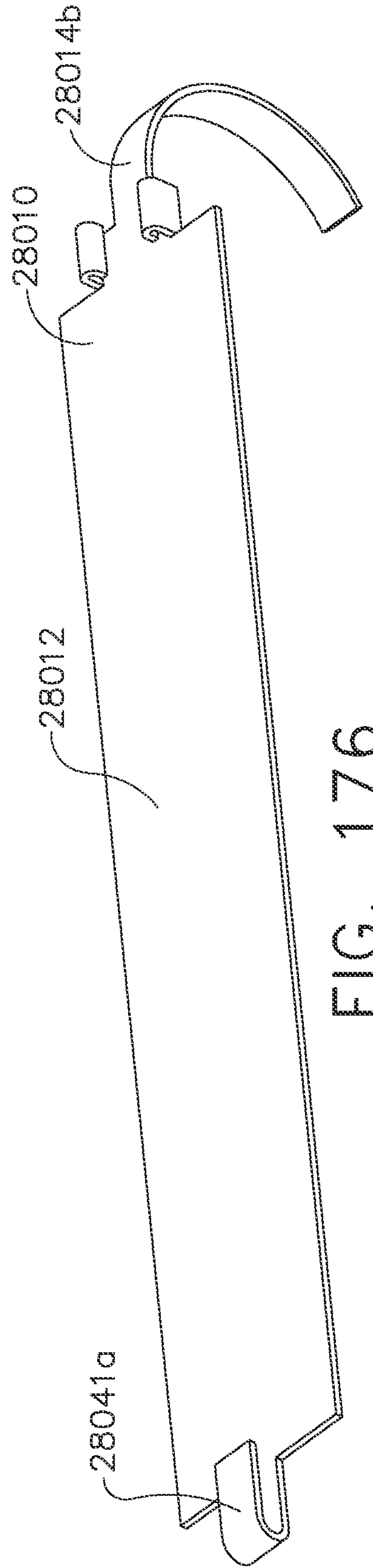


FIG. 176

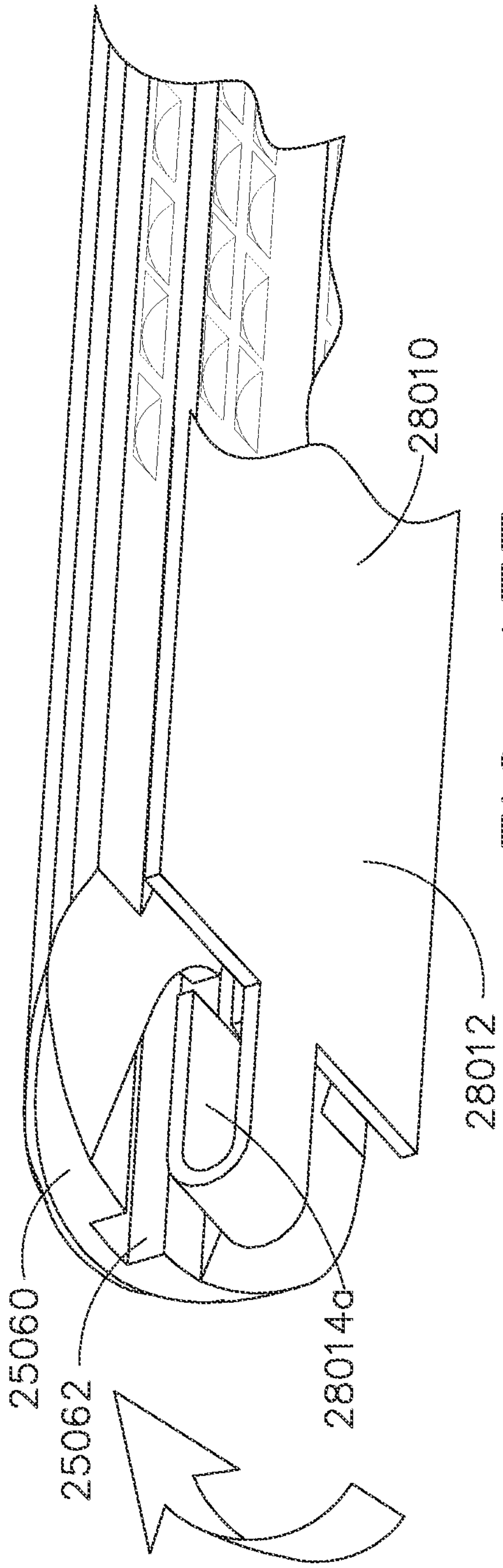


FIG. 177

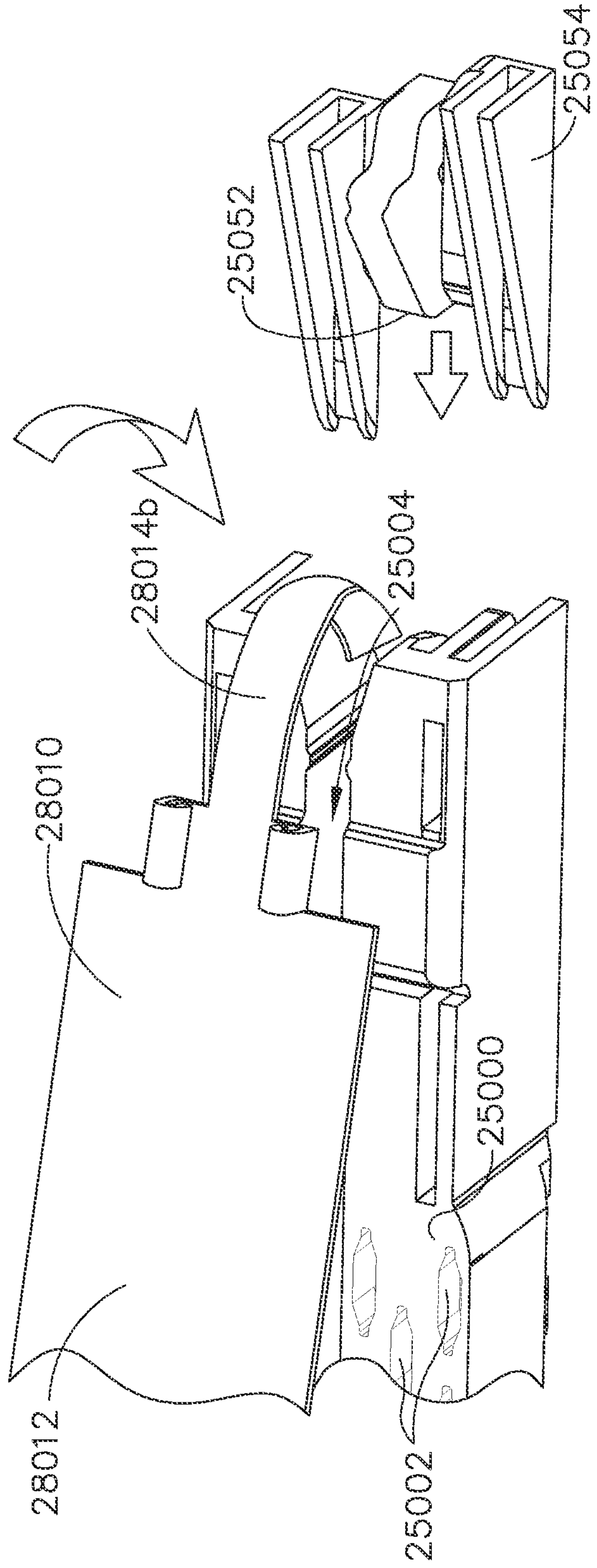


FIG. 178

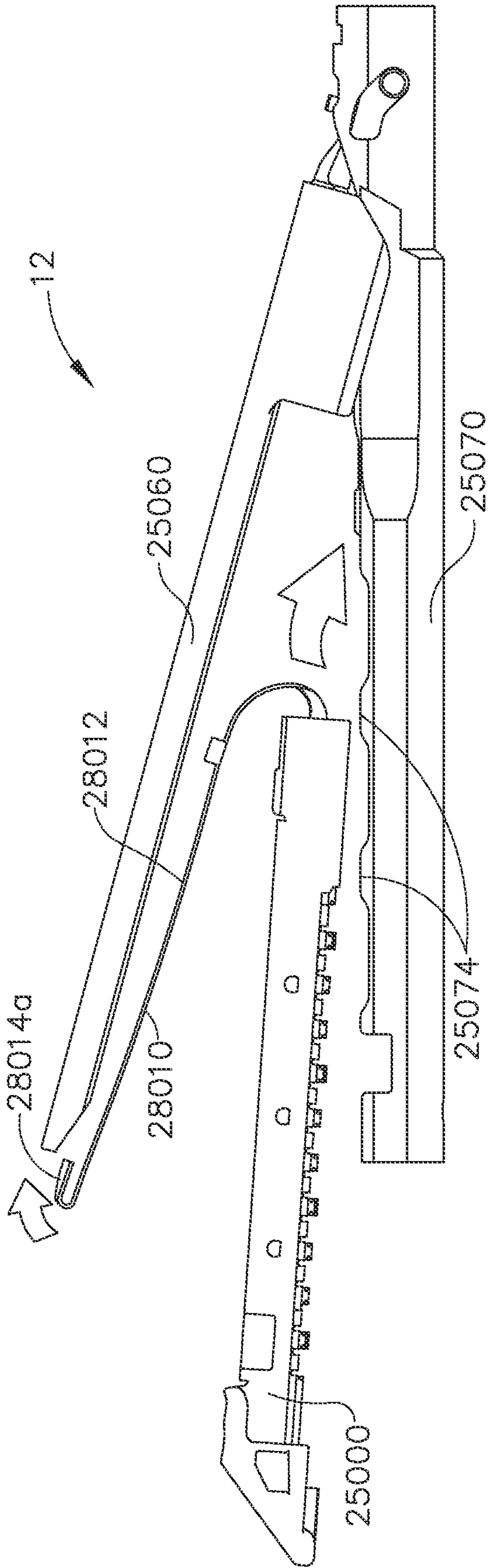


FIG. 179

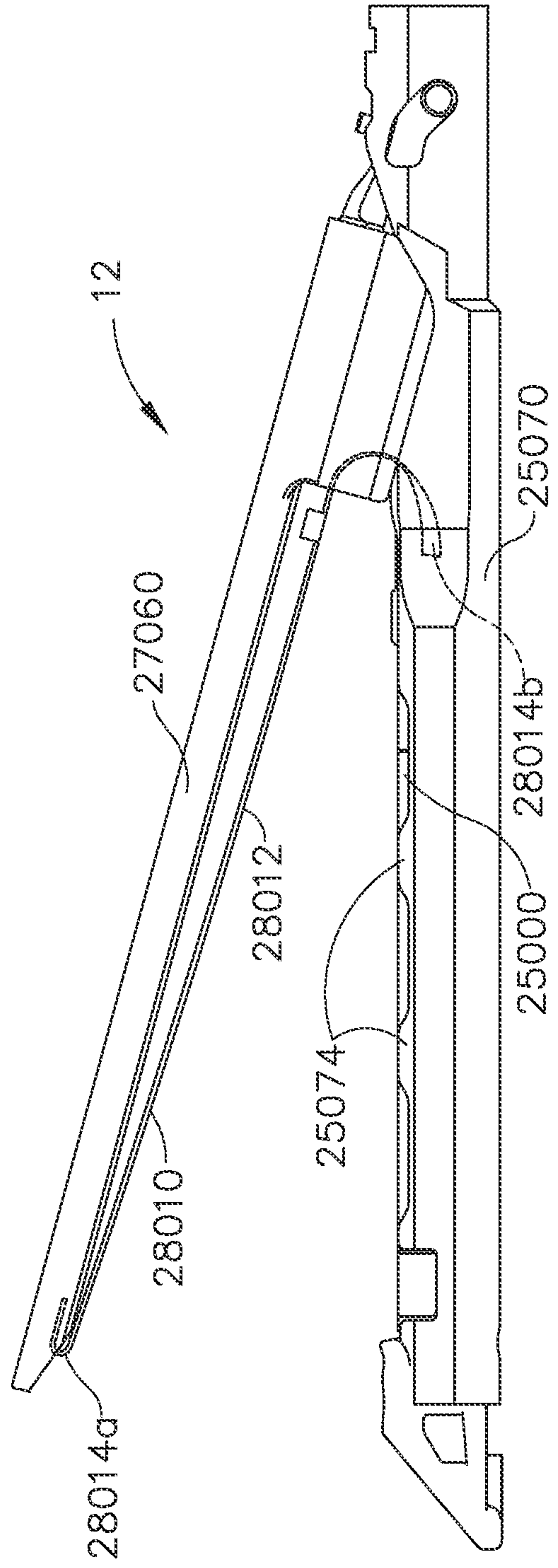


FIG. 180

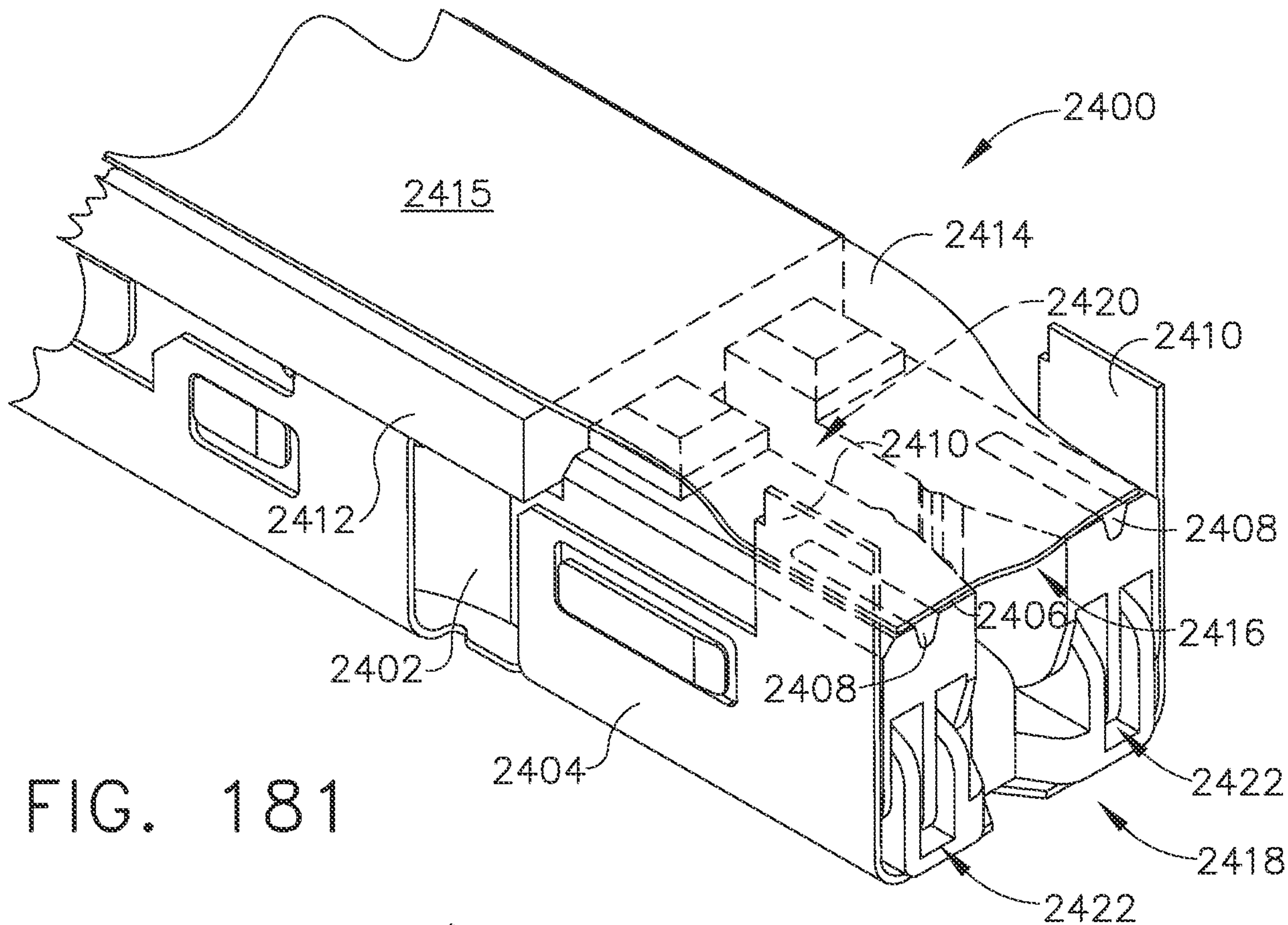


FIG. 181

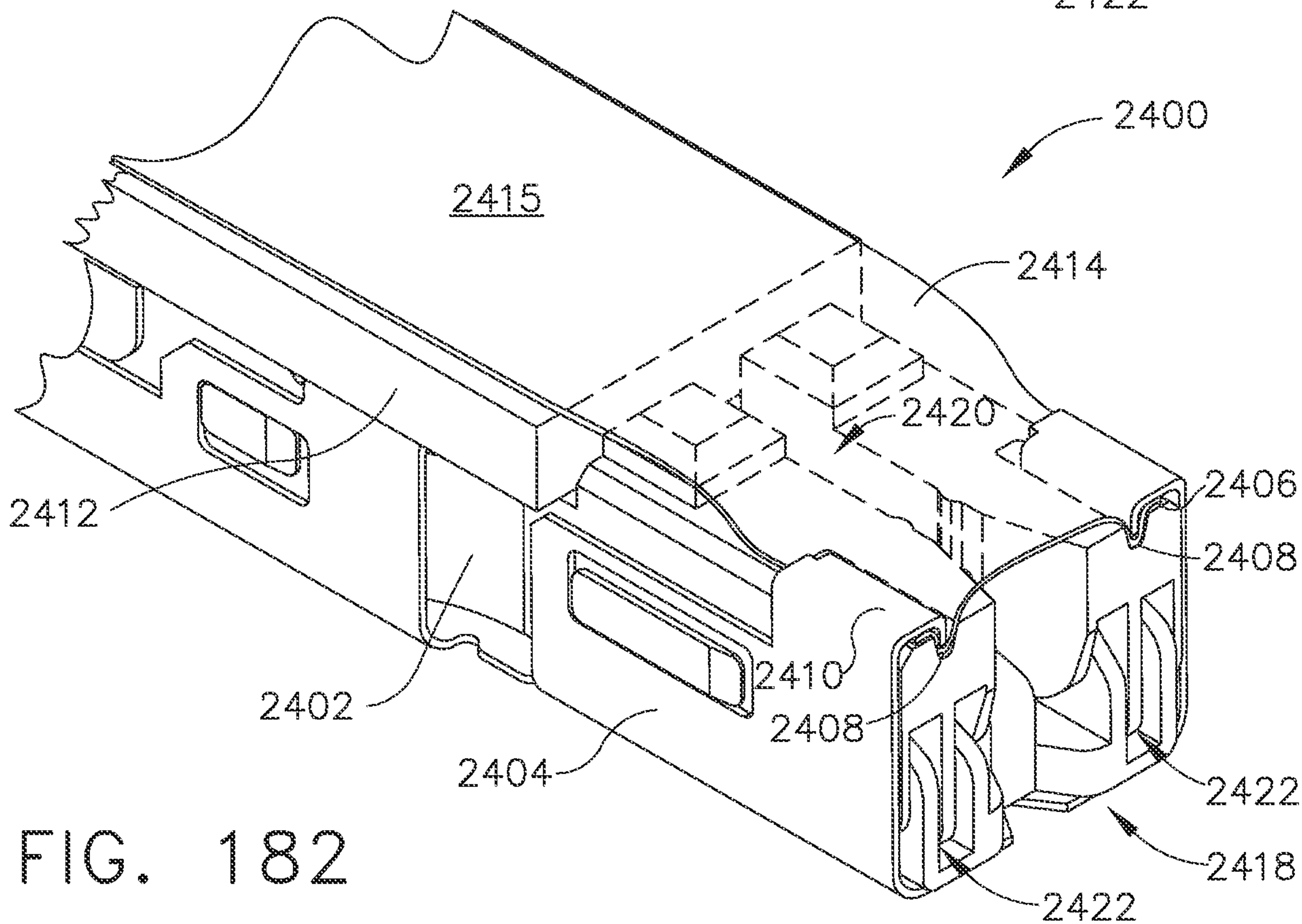


FIG. 182



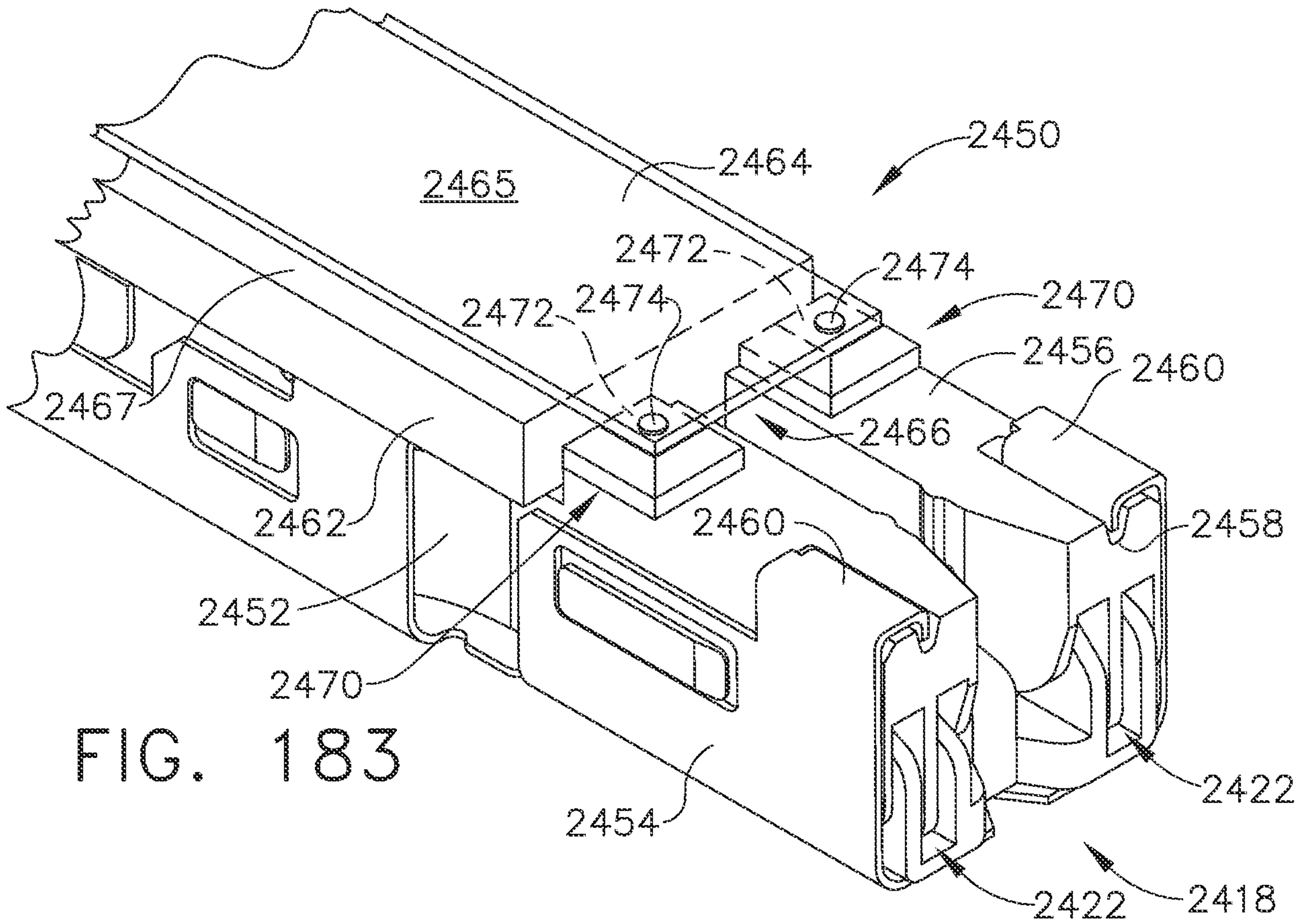


FIG. 183

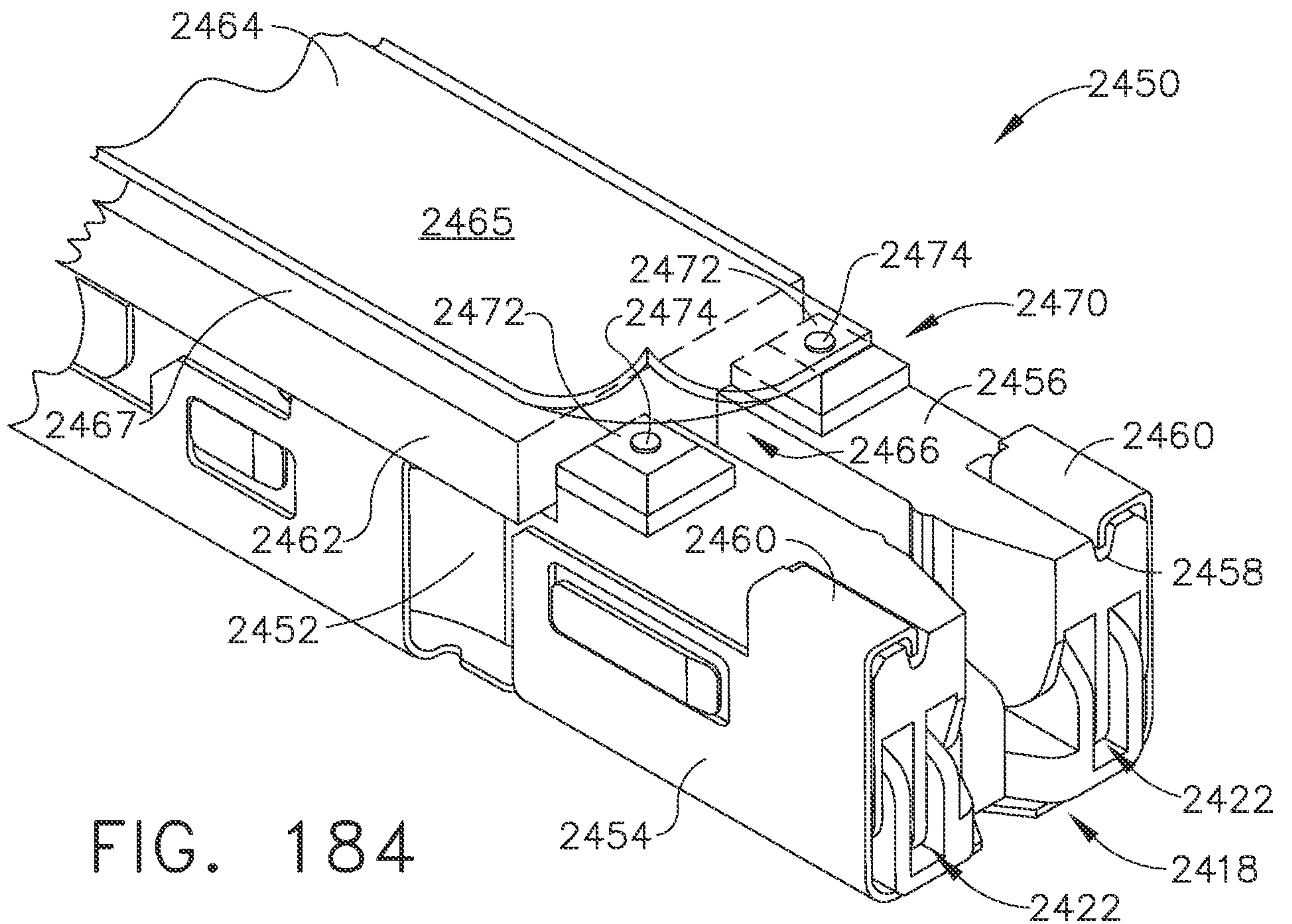


FIG. 184

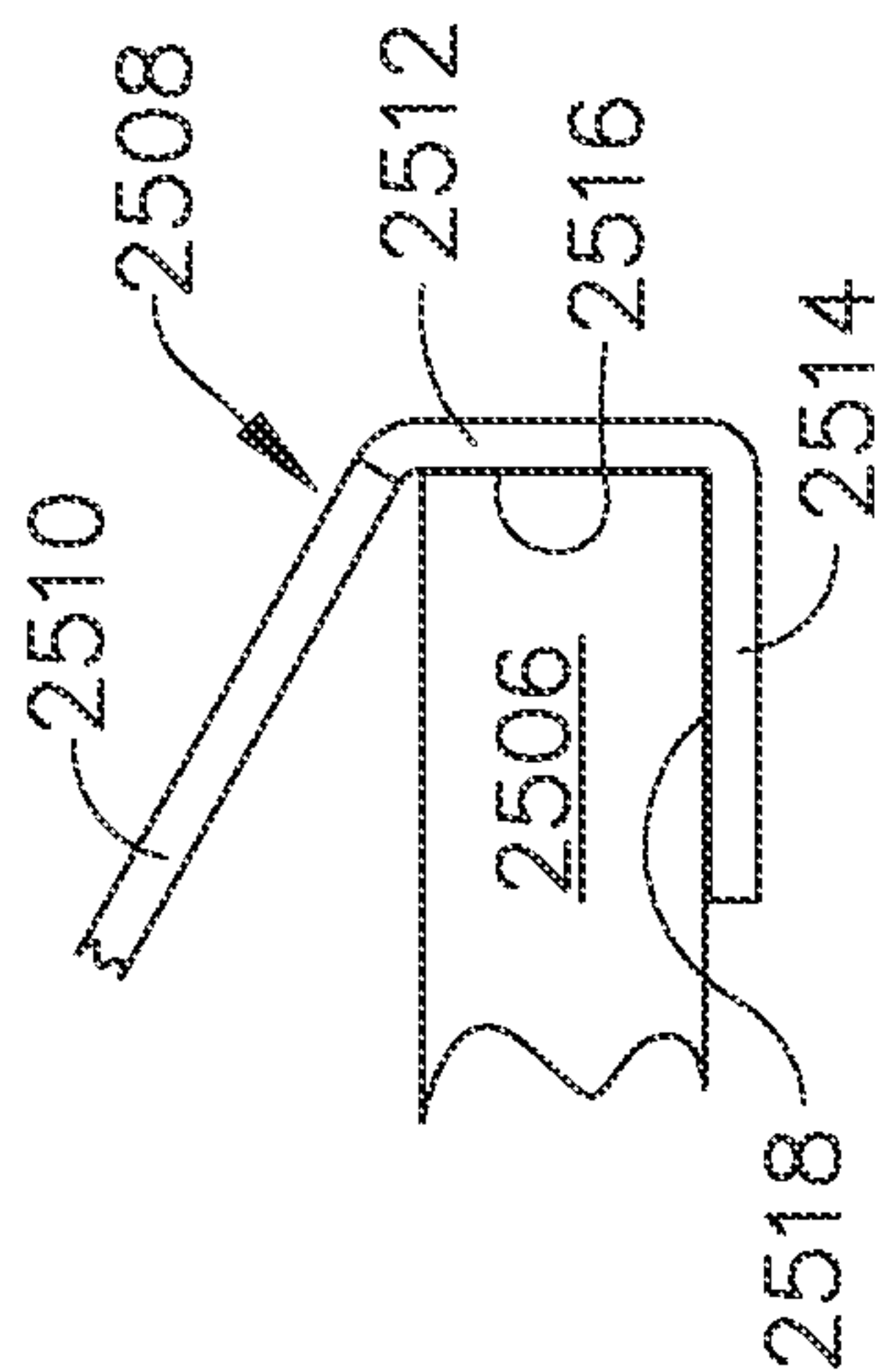


FIG. 186

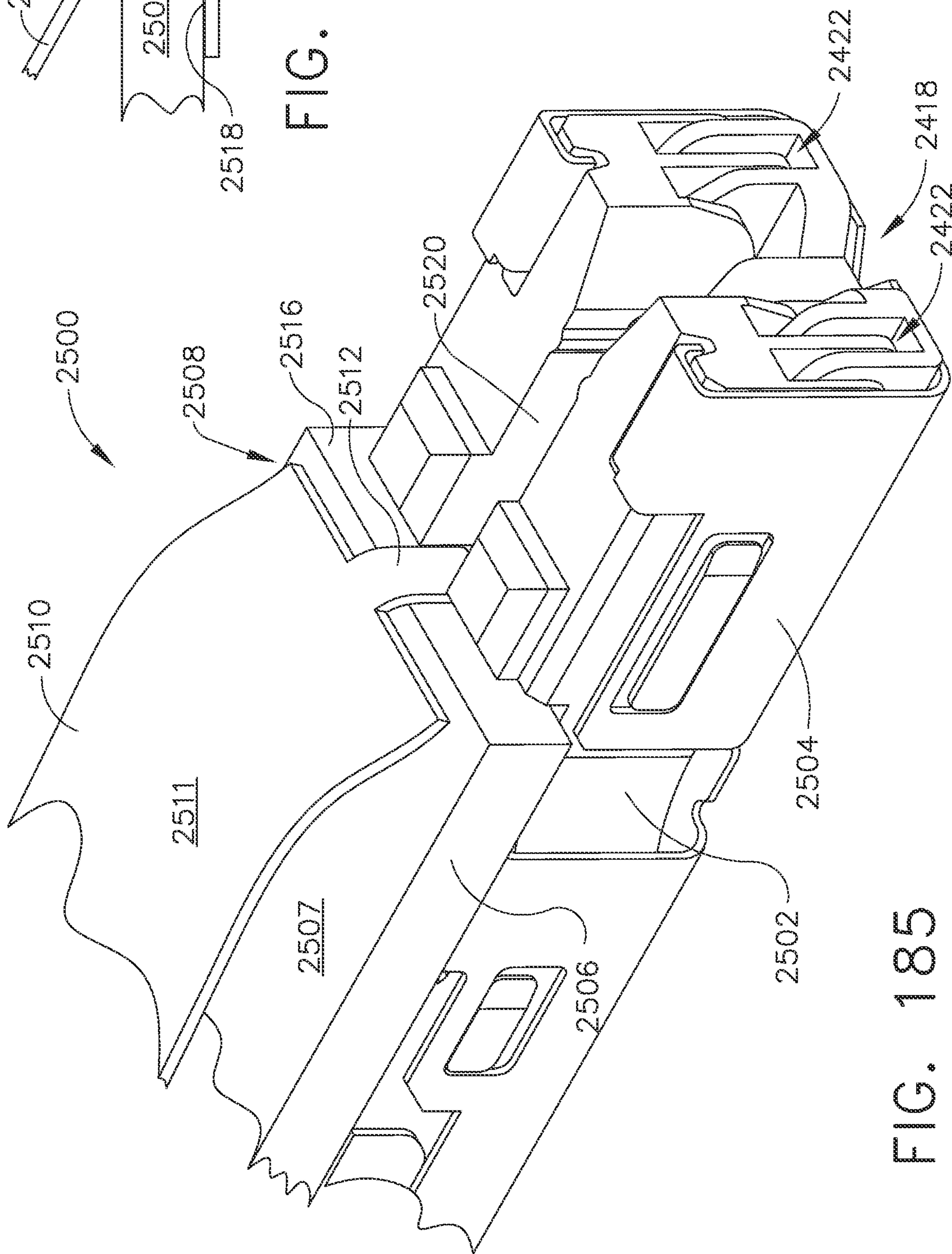


FIG. 185

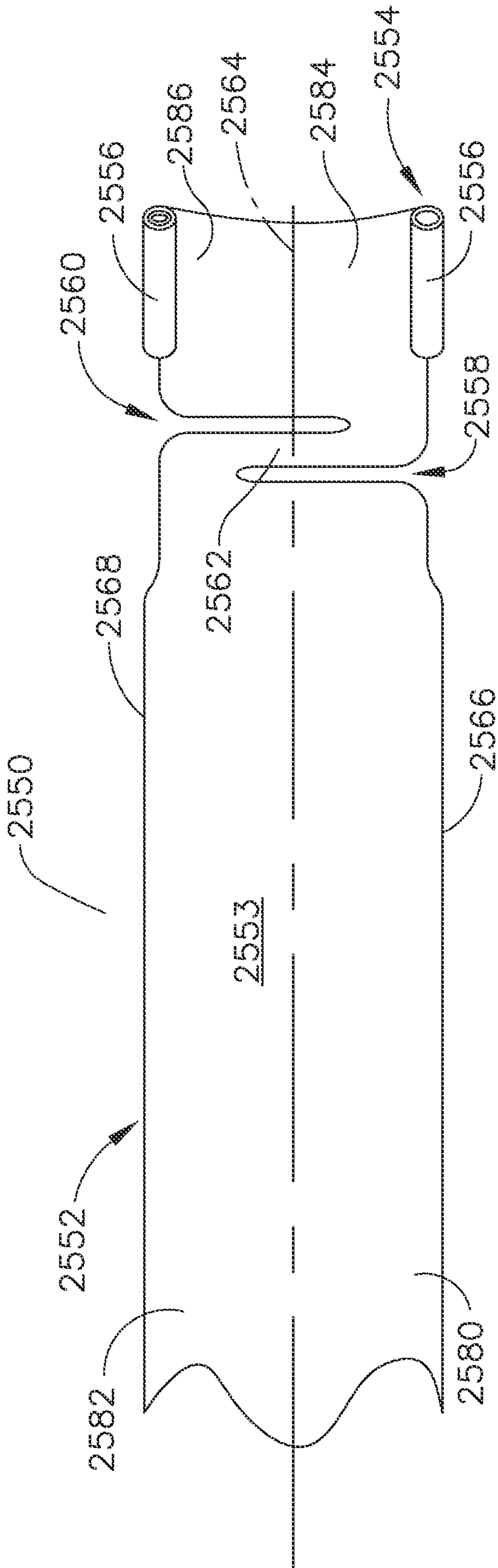


FIG. 187

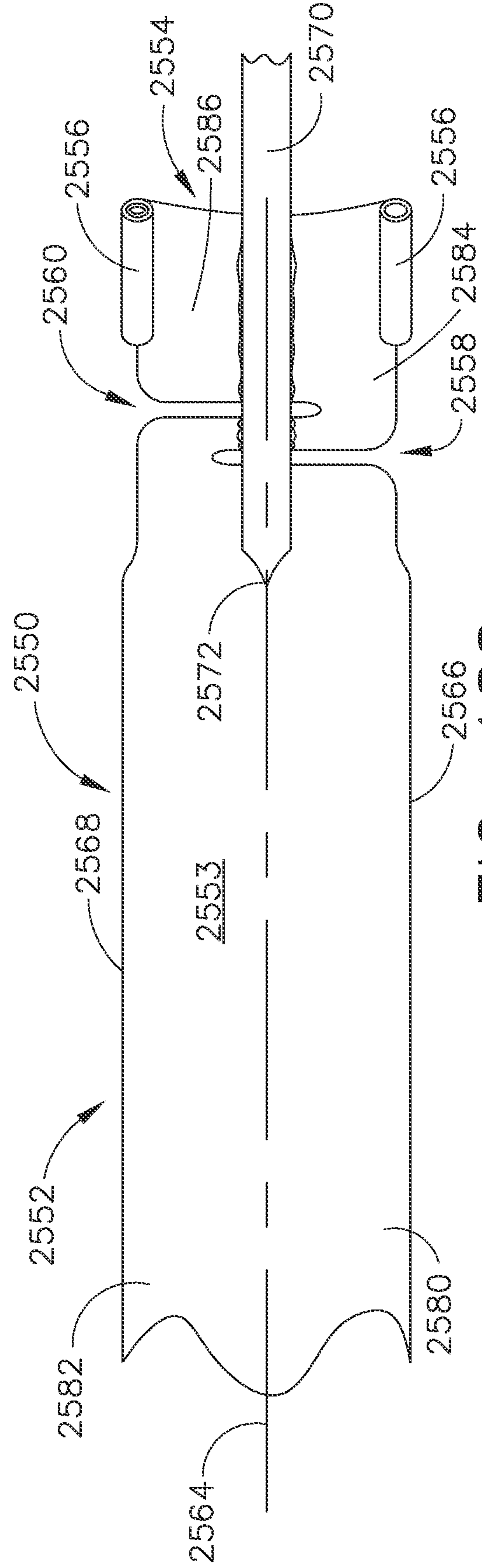


FIG. 188

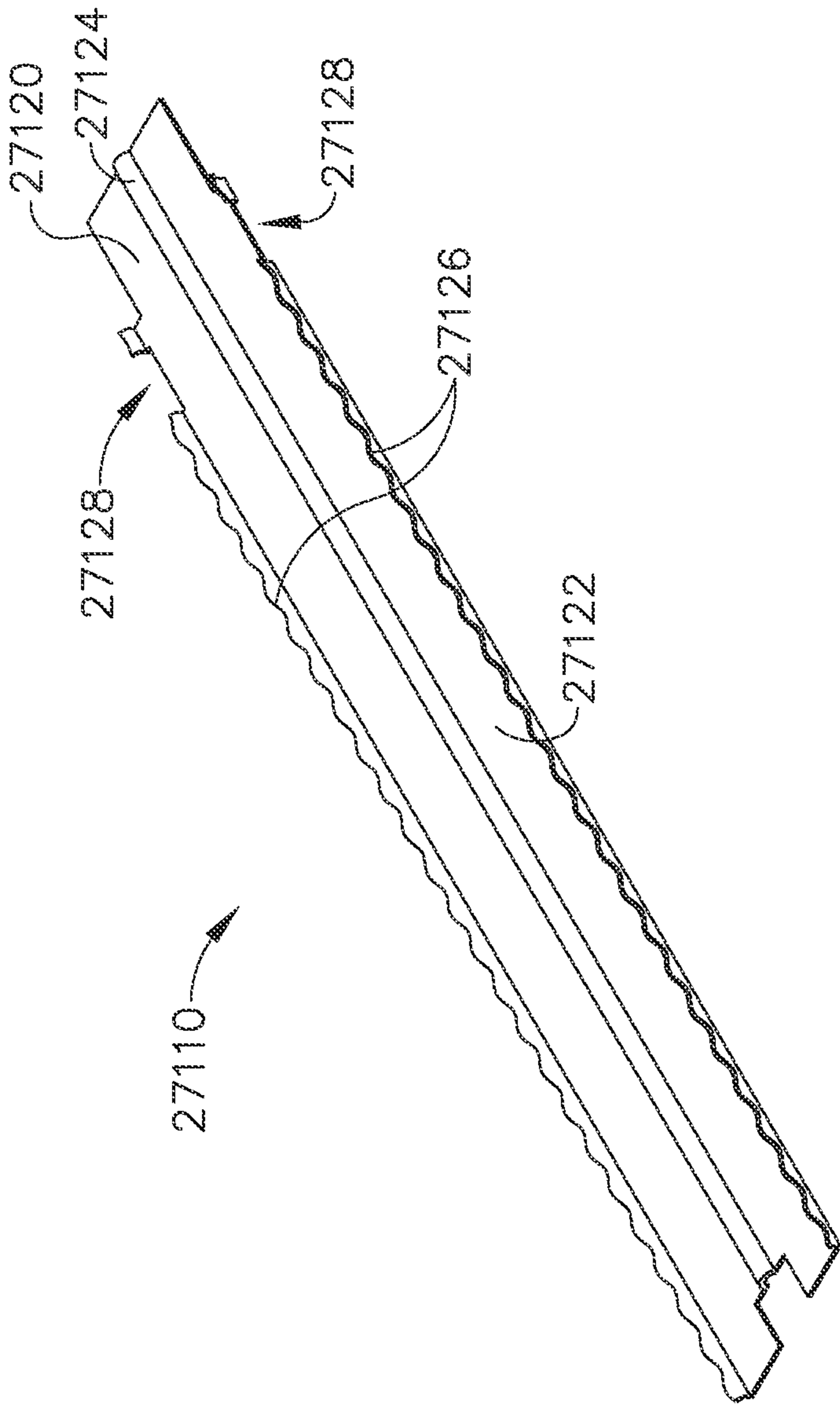


FIG. 190

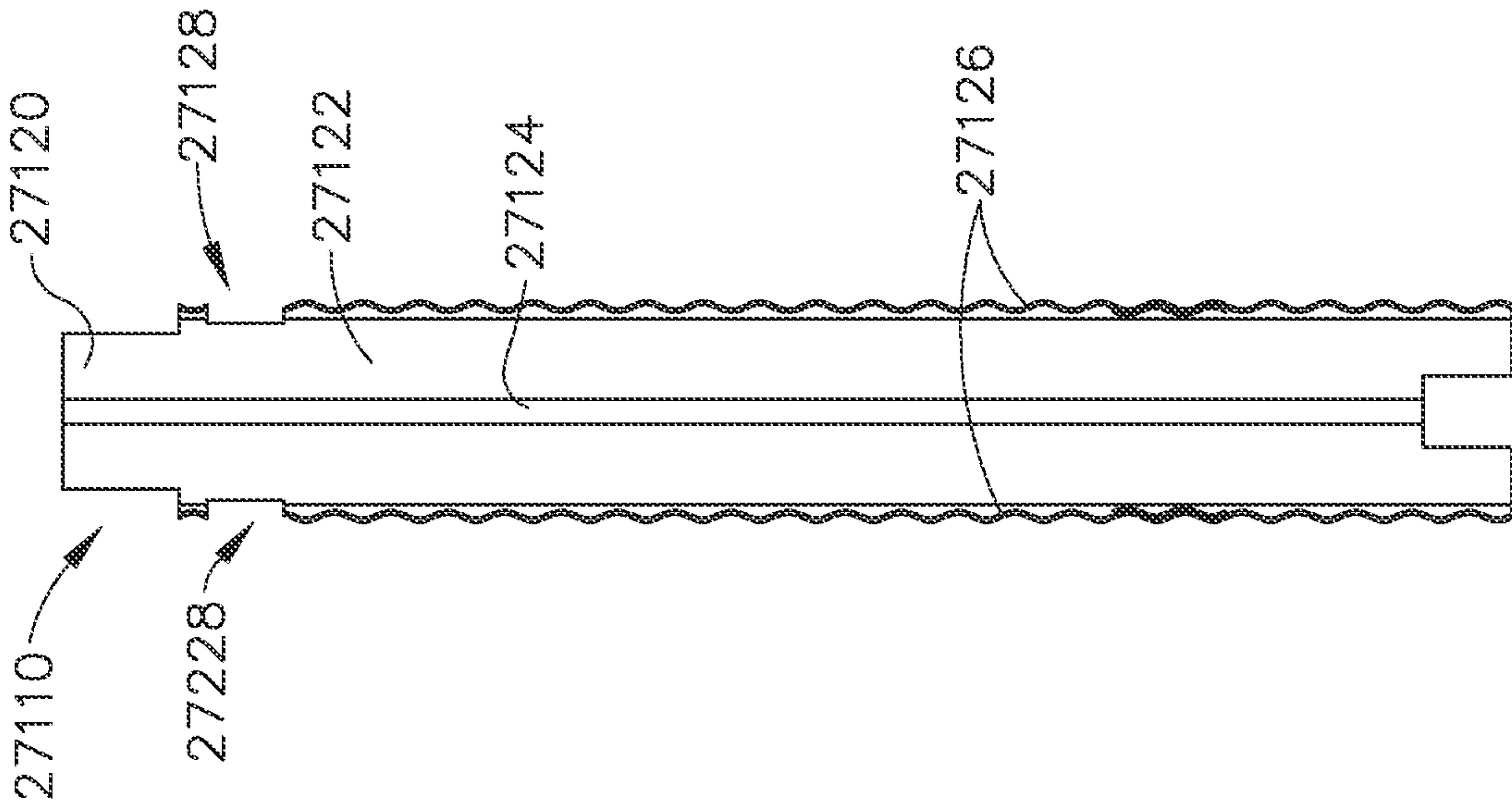


FIG. 189

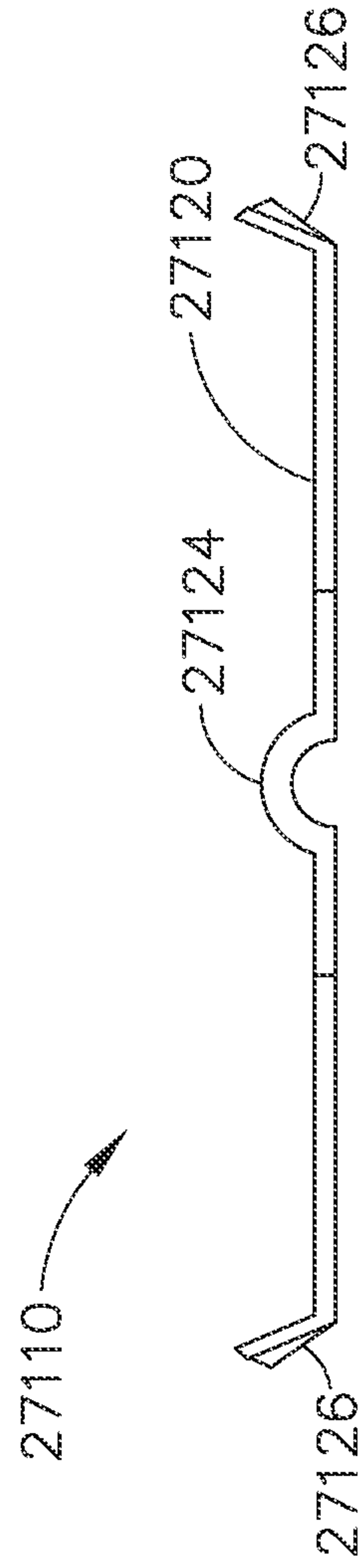


FIG. 191

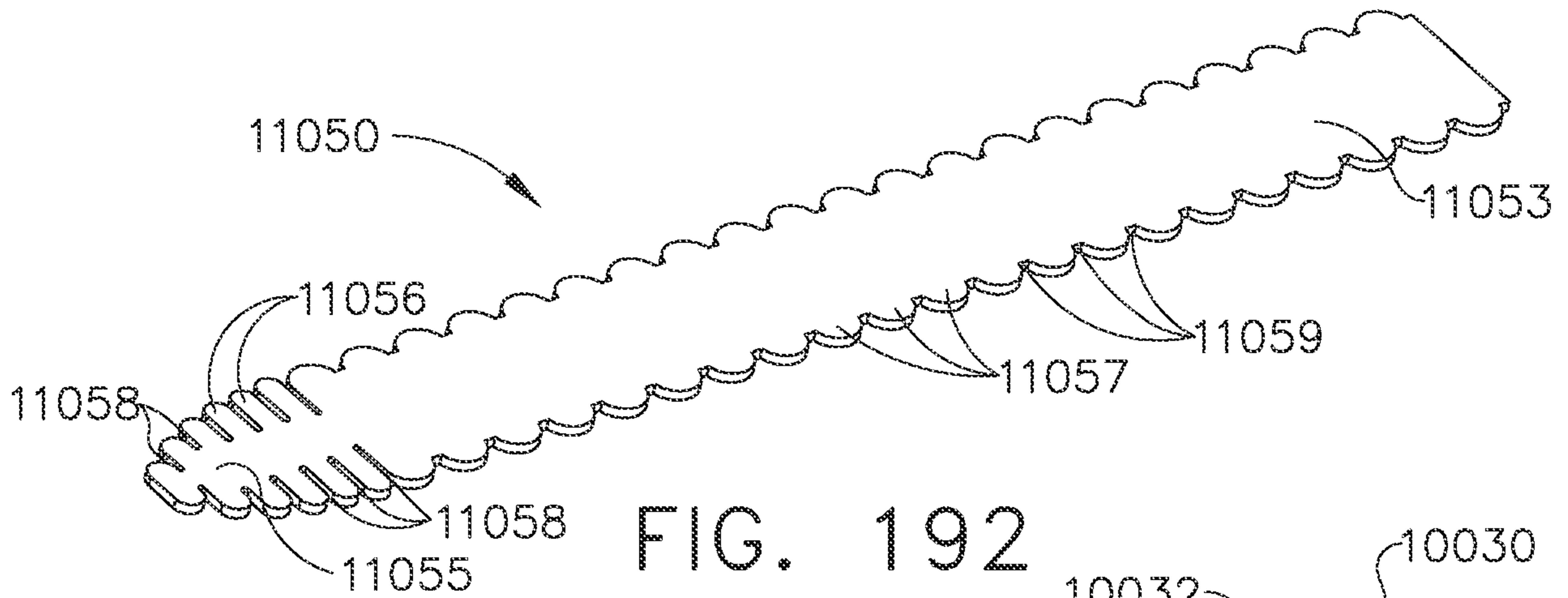


FIG. 192

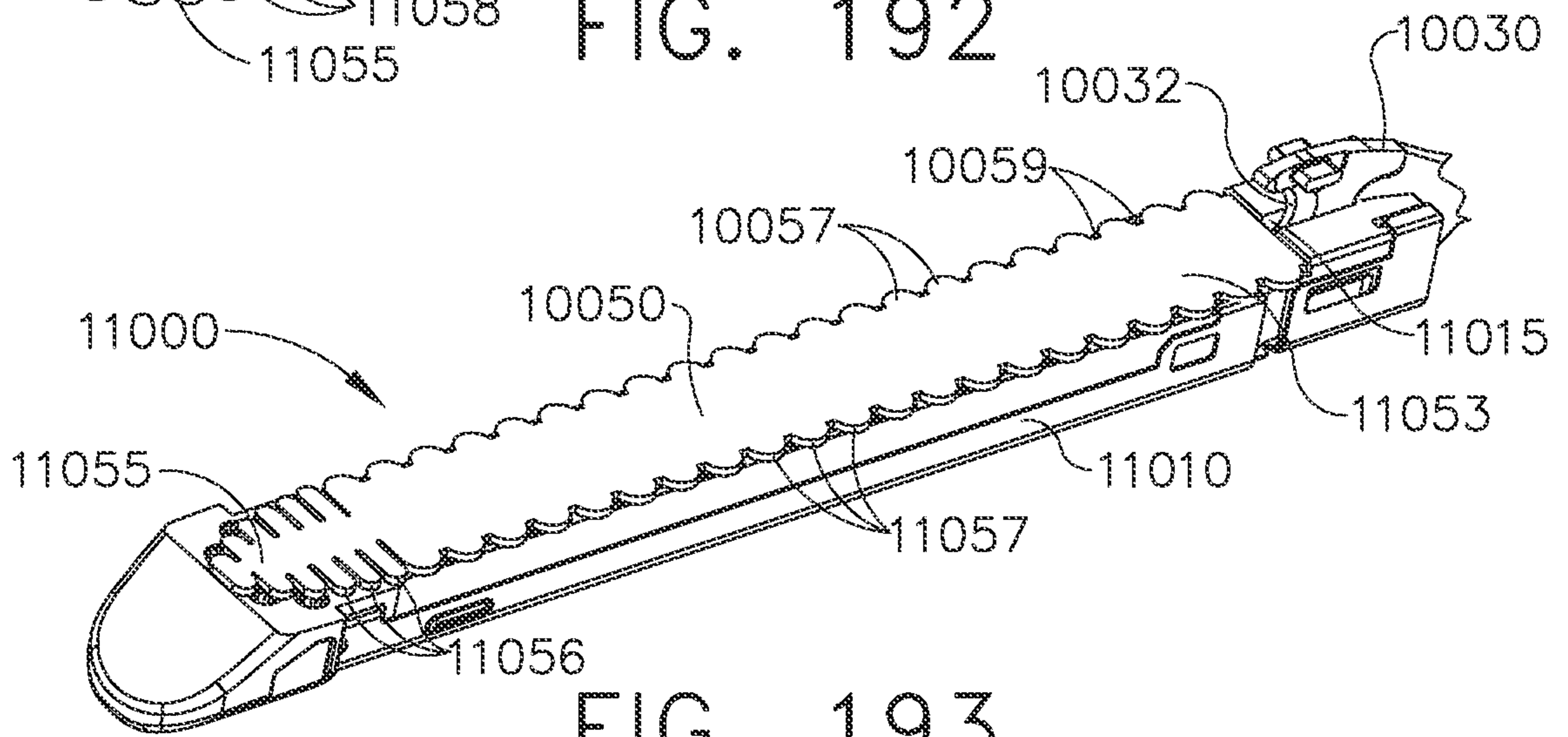


FIG. 193

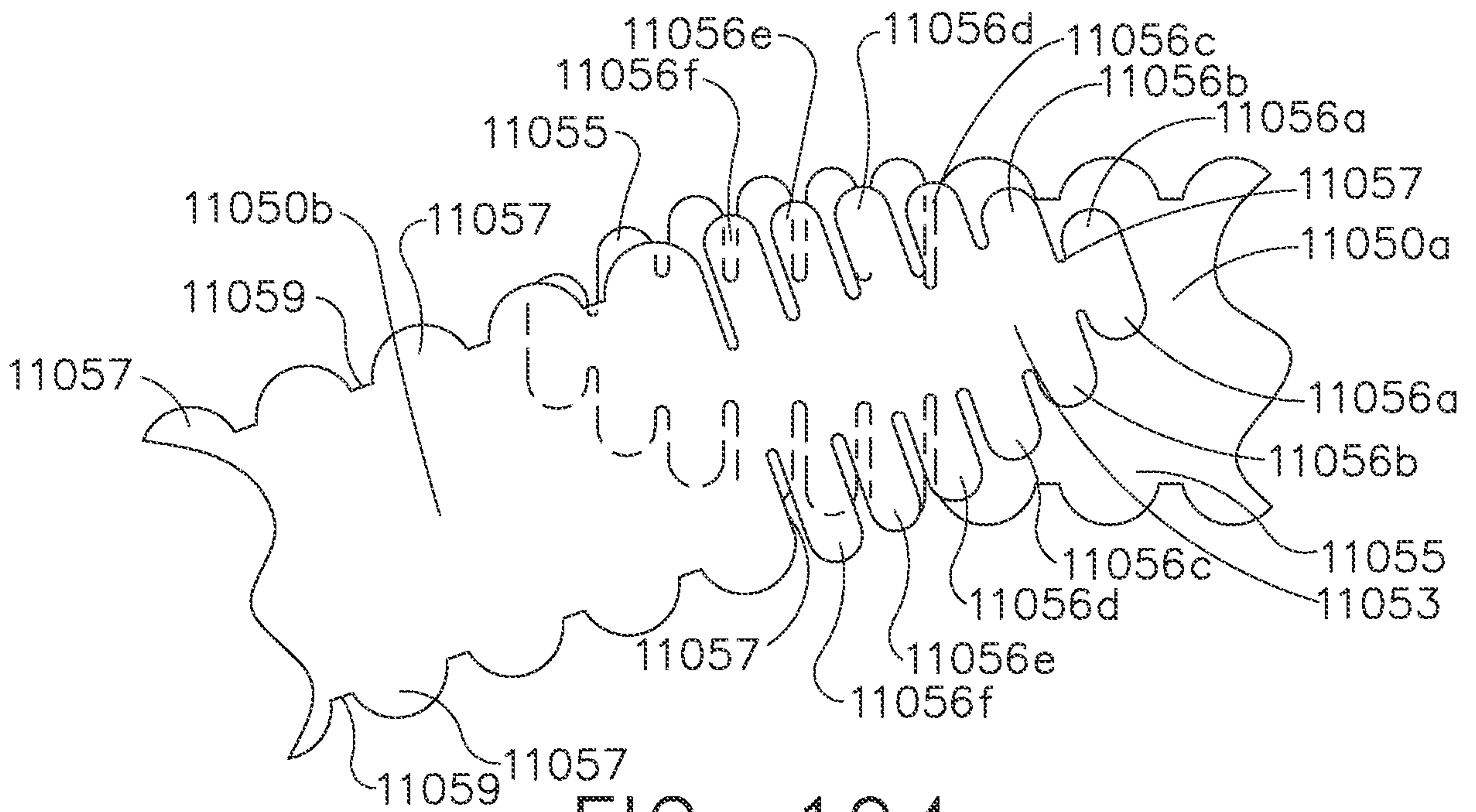


FIG. 194

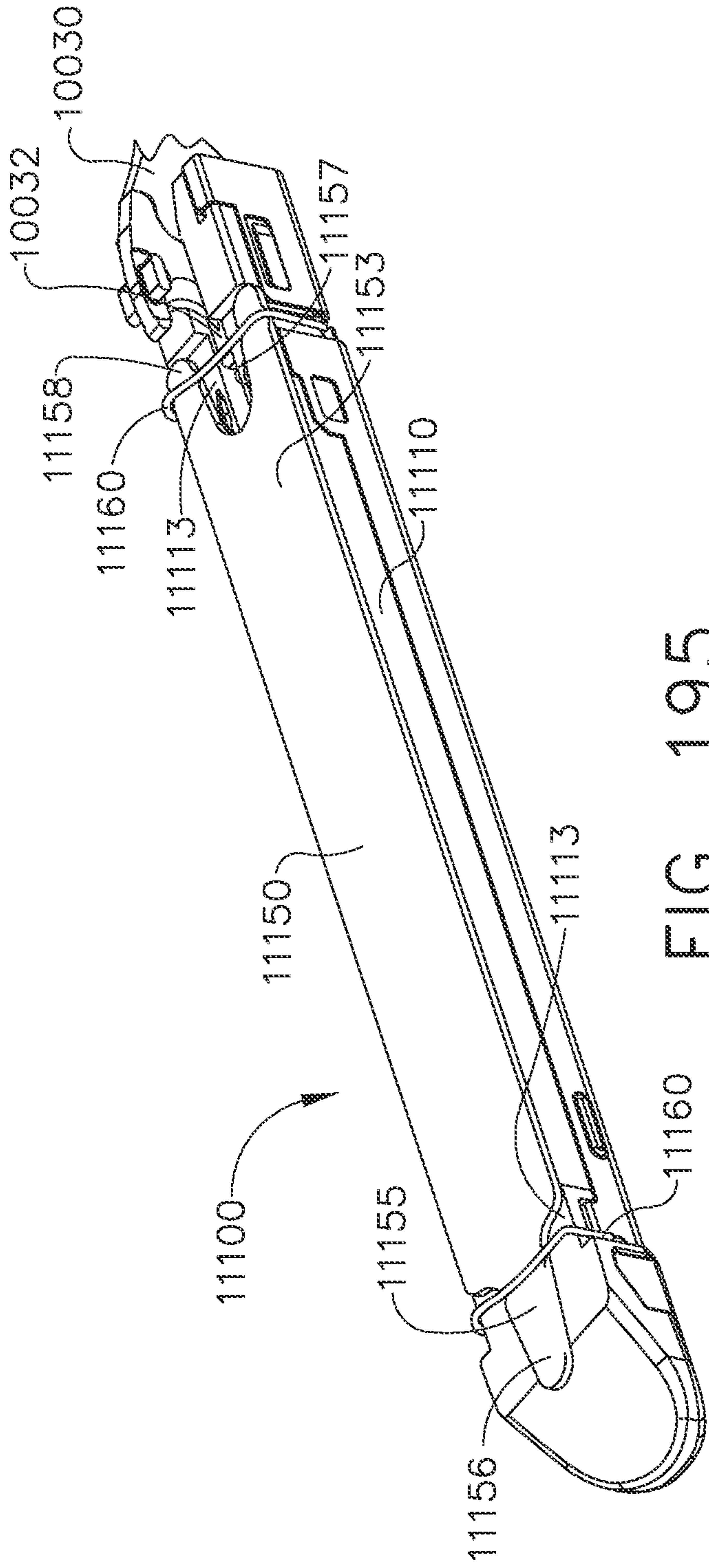


FIG. 195

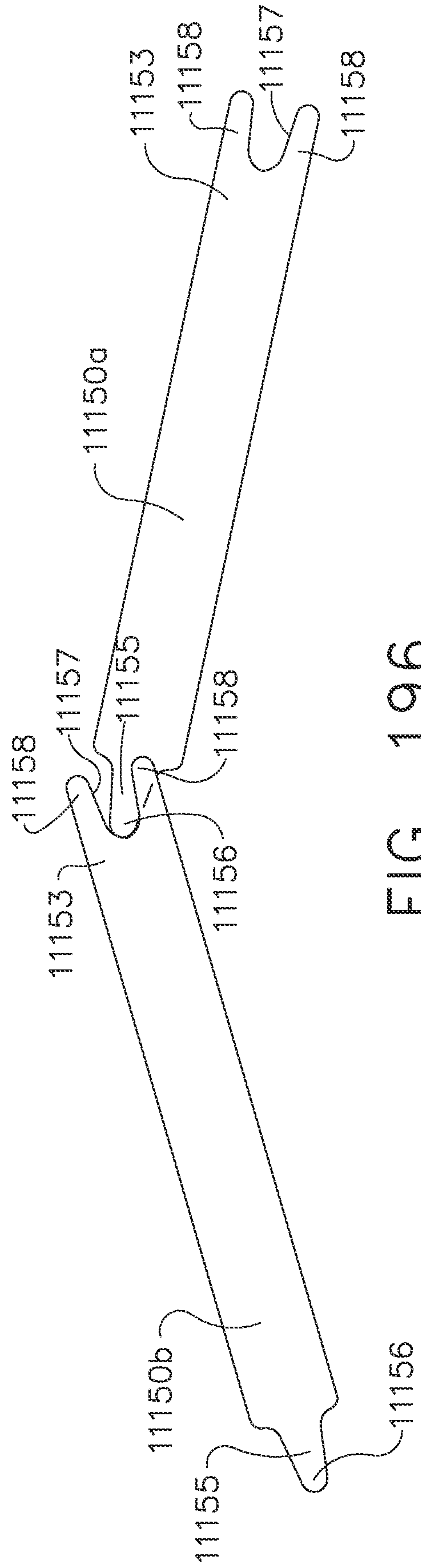


FIG. 196

126/177

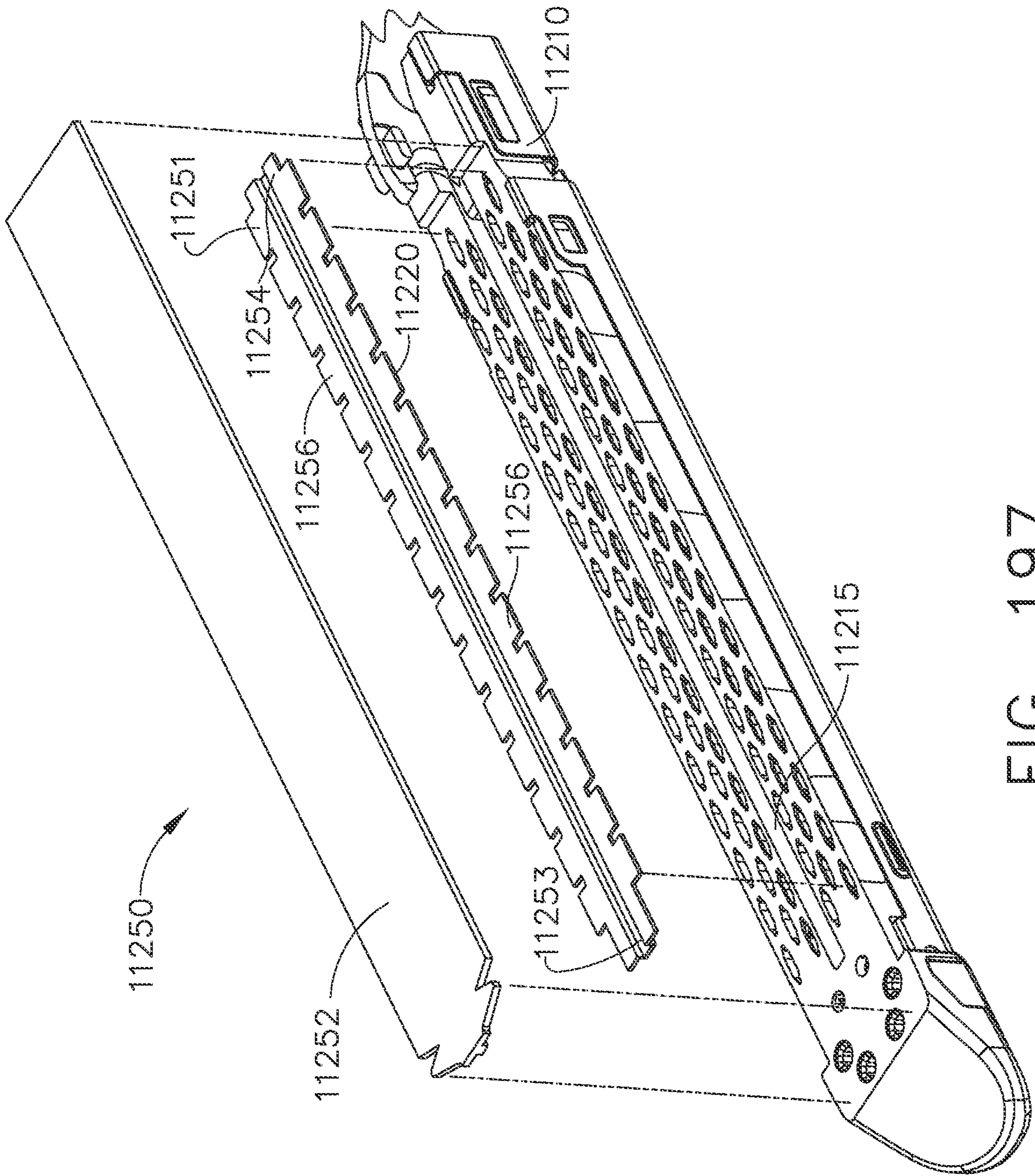


FIG. 197

127/177

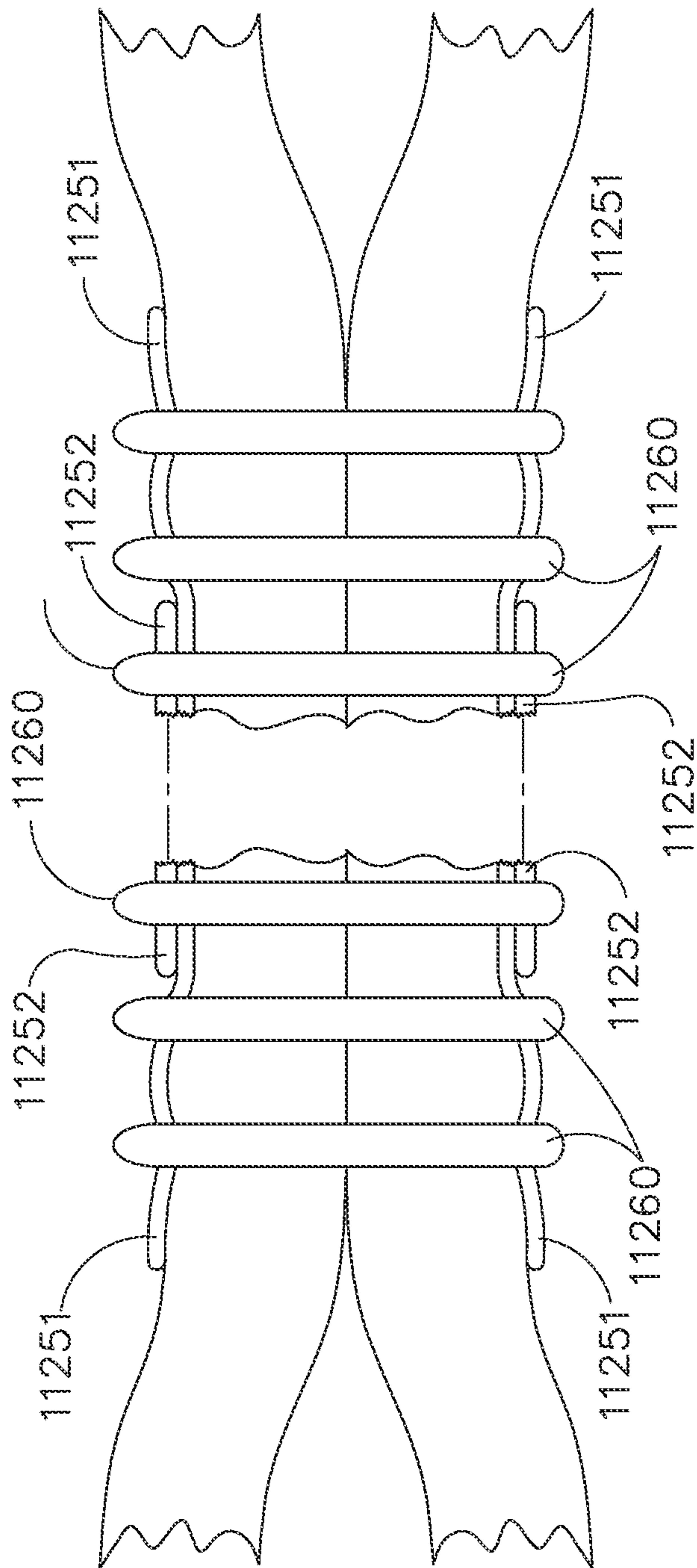


FIG. 198



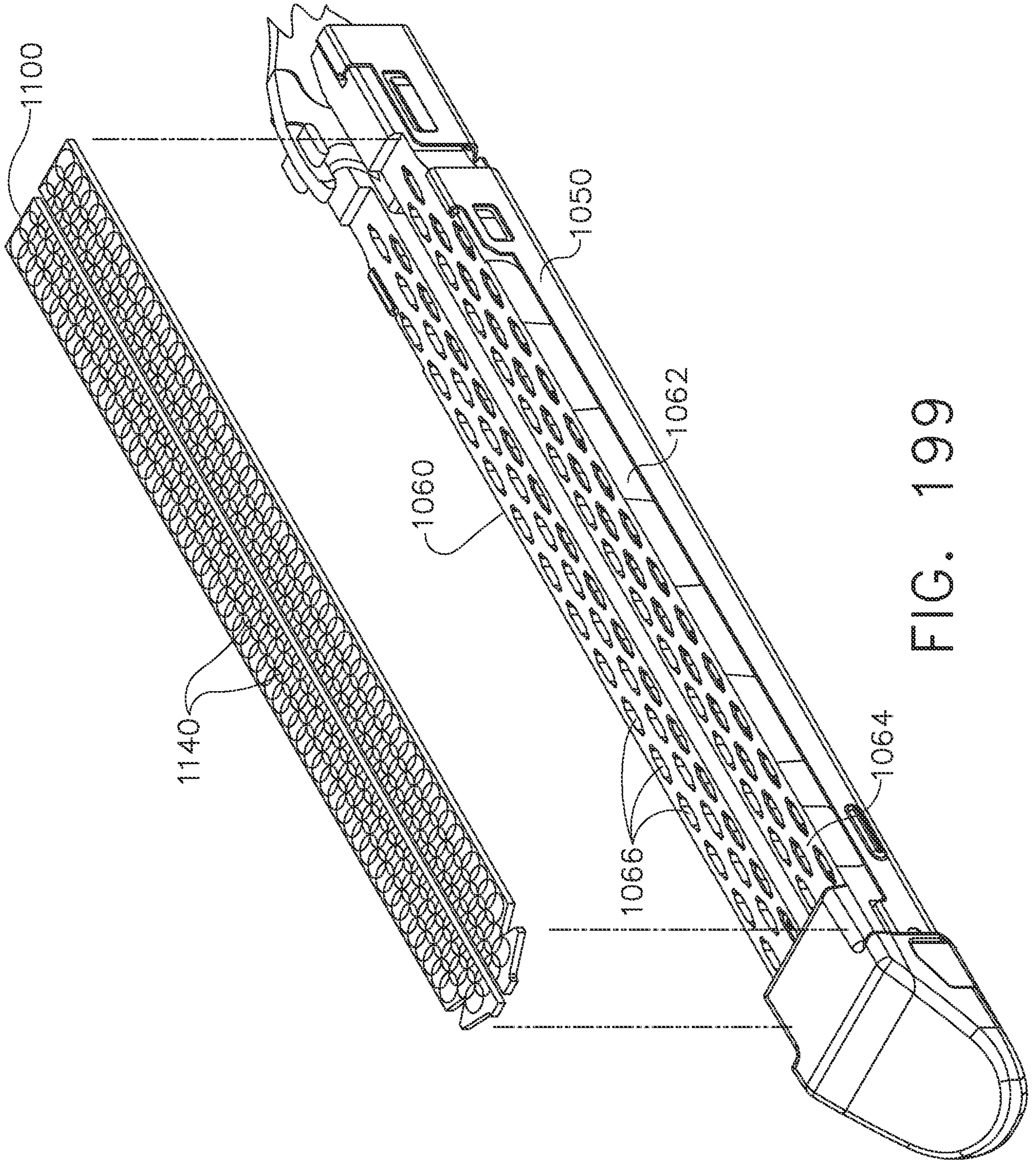


FIG. 199

129/177

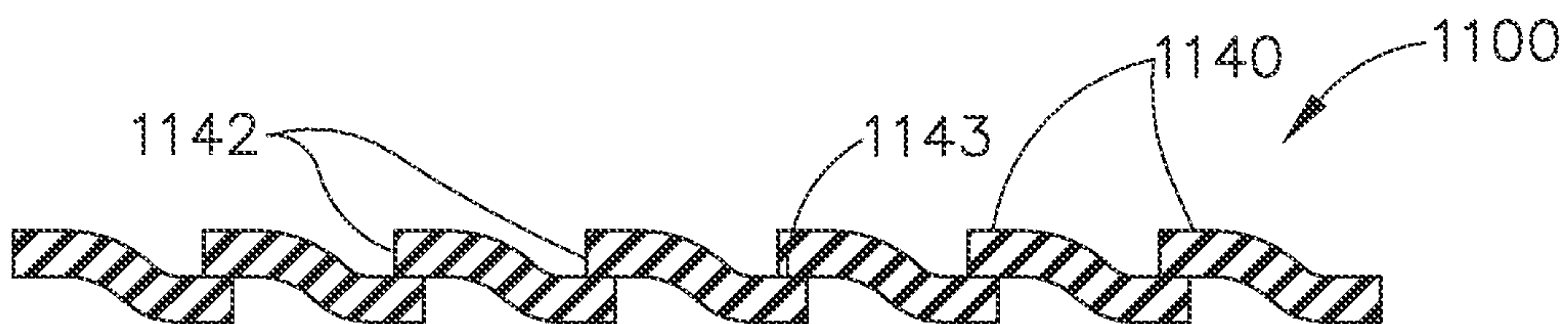


FIG. 200

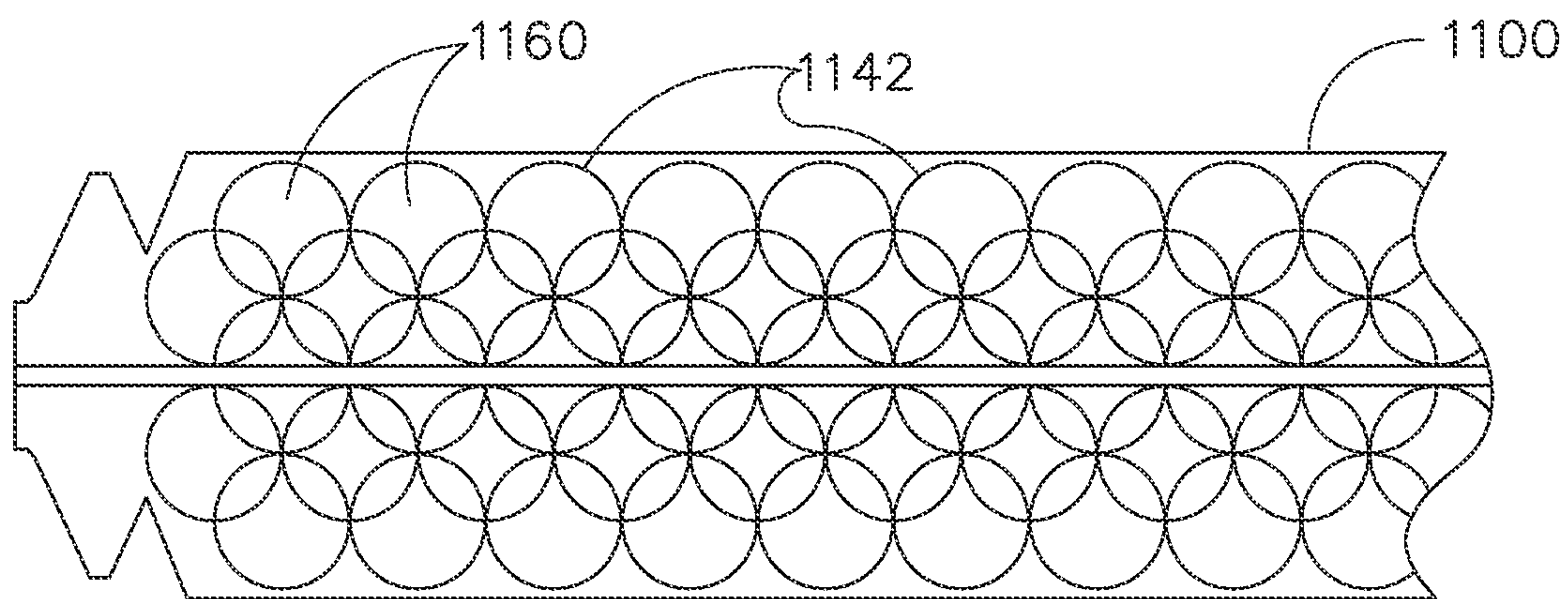


FIG. 201

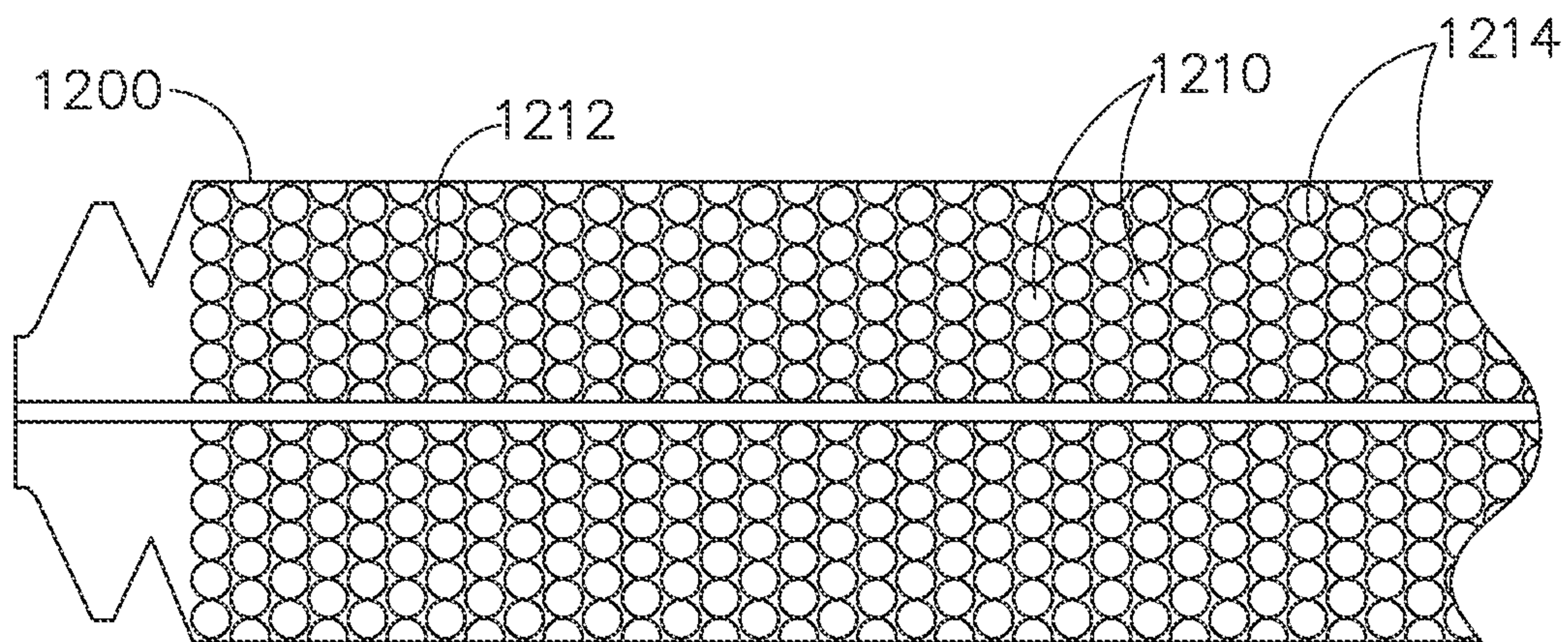


FIG. 202

130/177

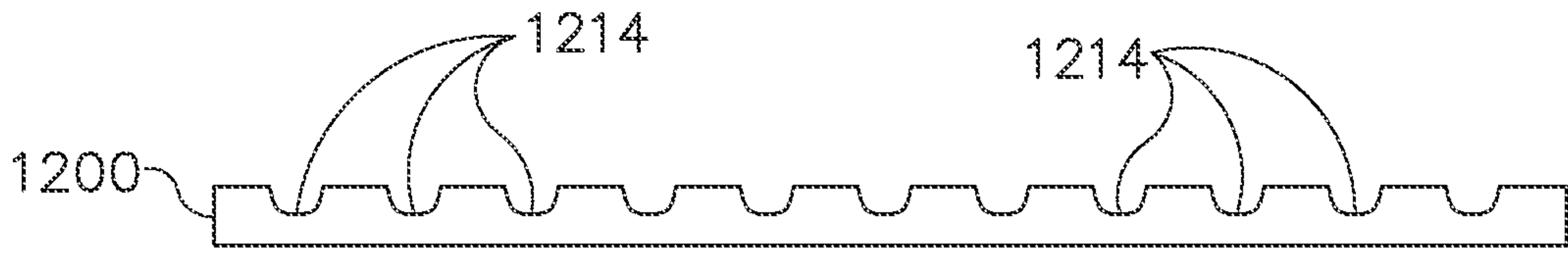


FIG. 202A

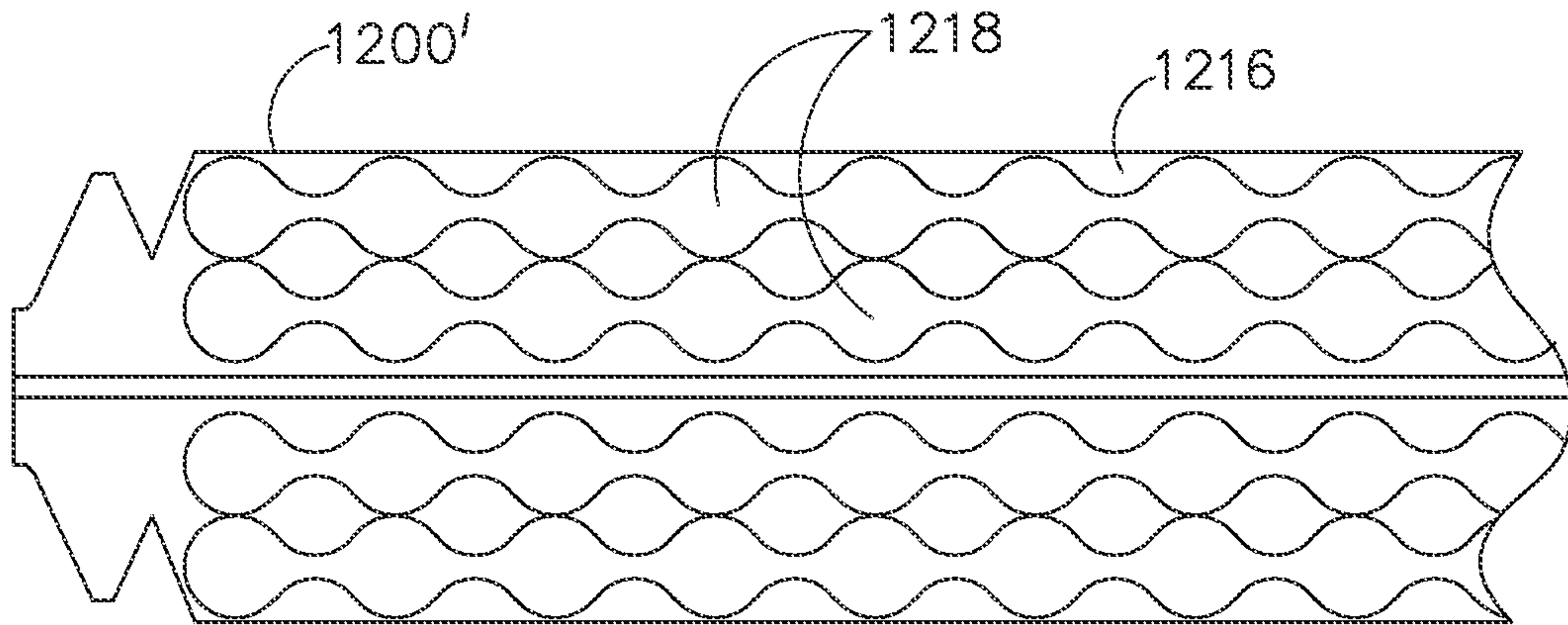


FIG. 203

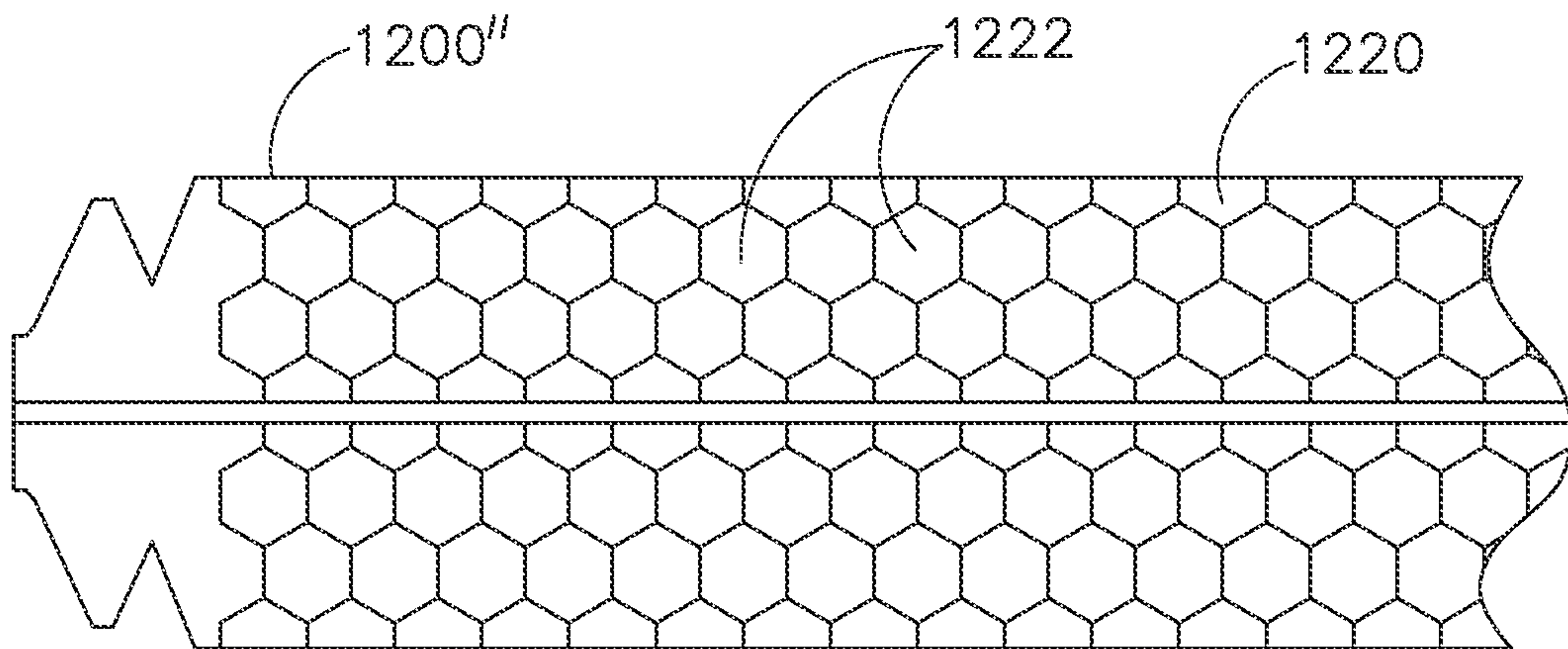


FIG. 204

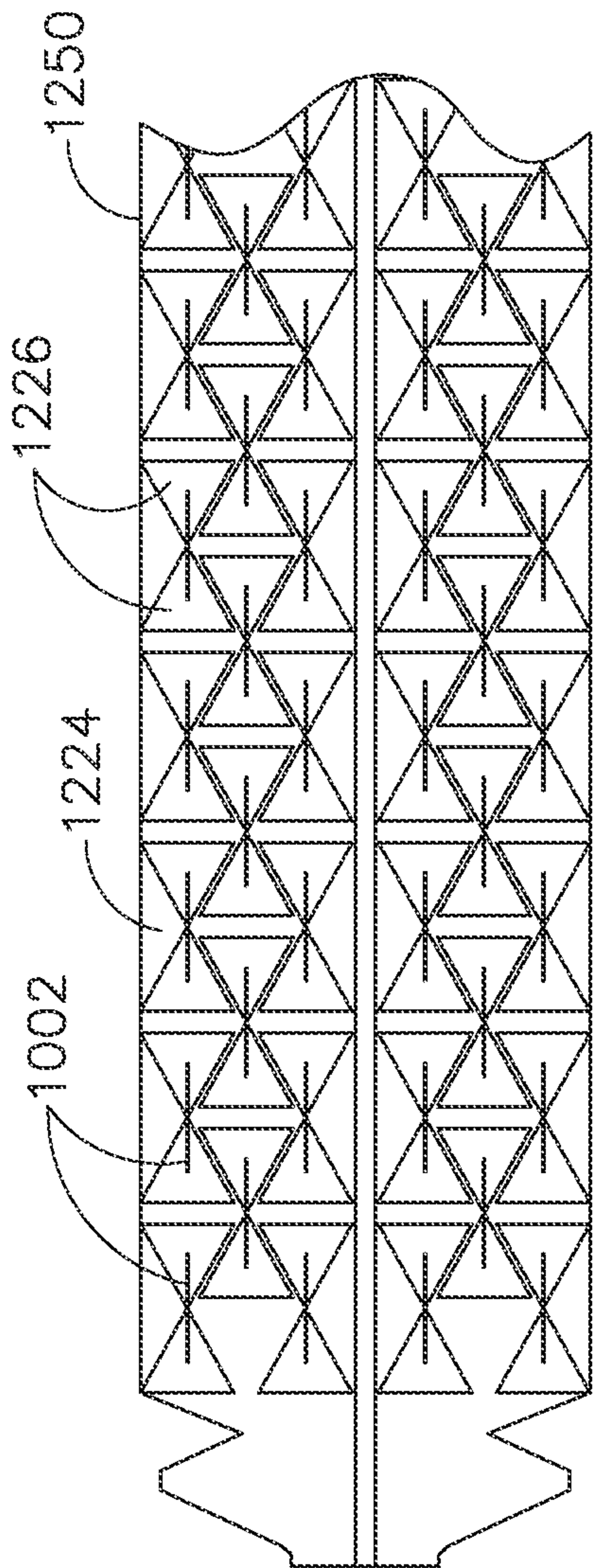


FIG. 205

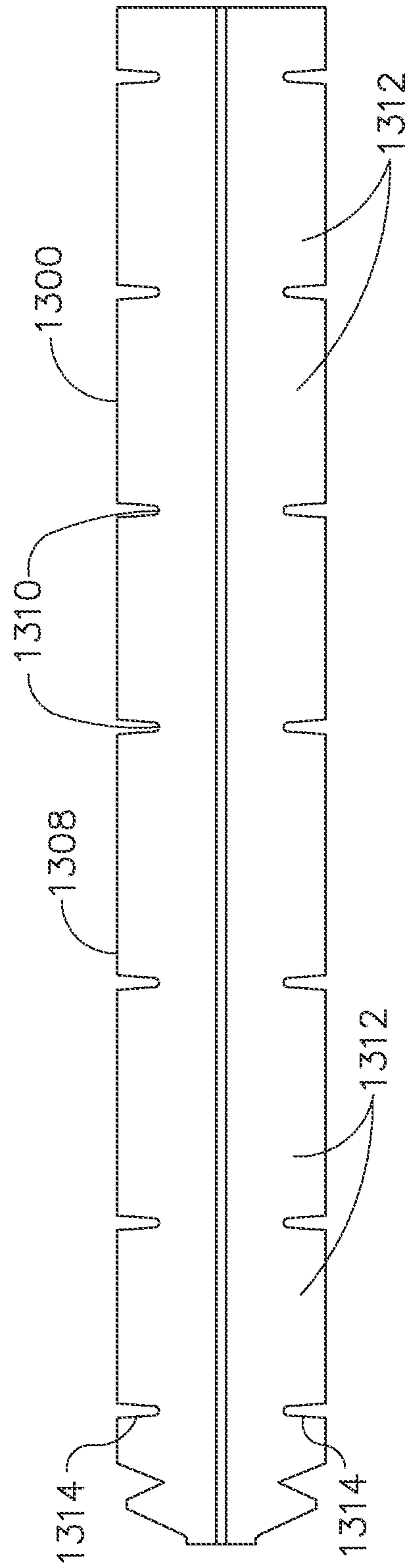


FIG. 206

132/177

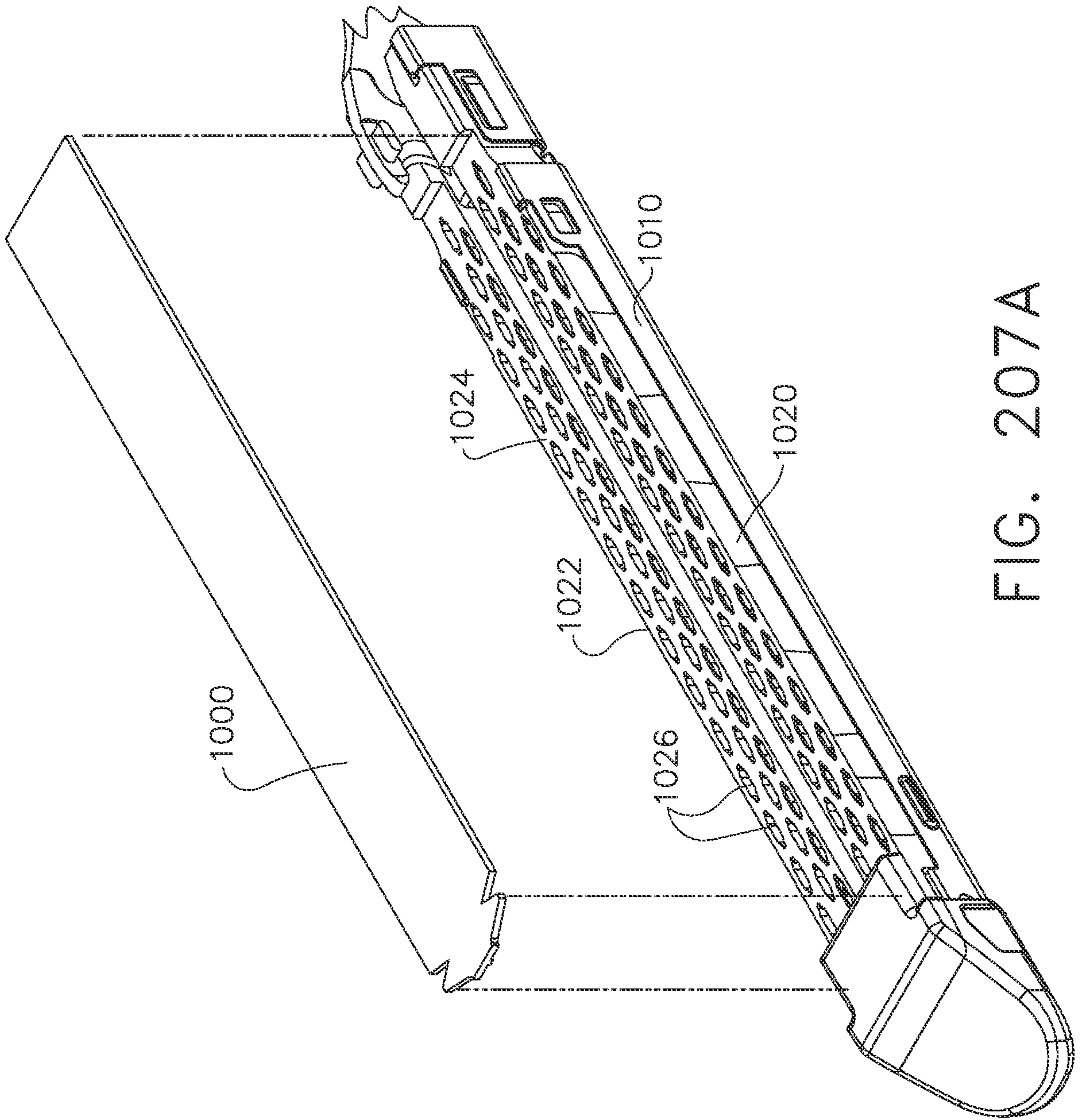


FIG. 207A

133/177

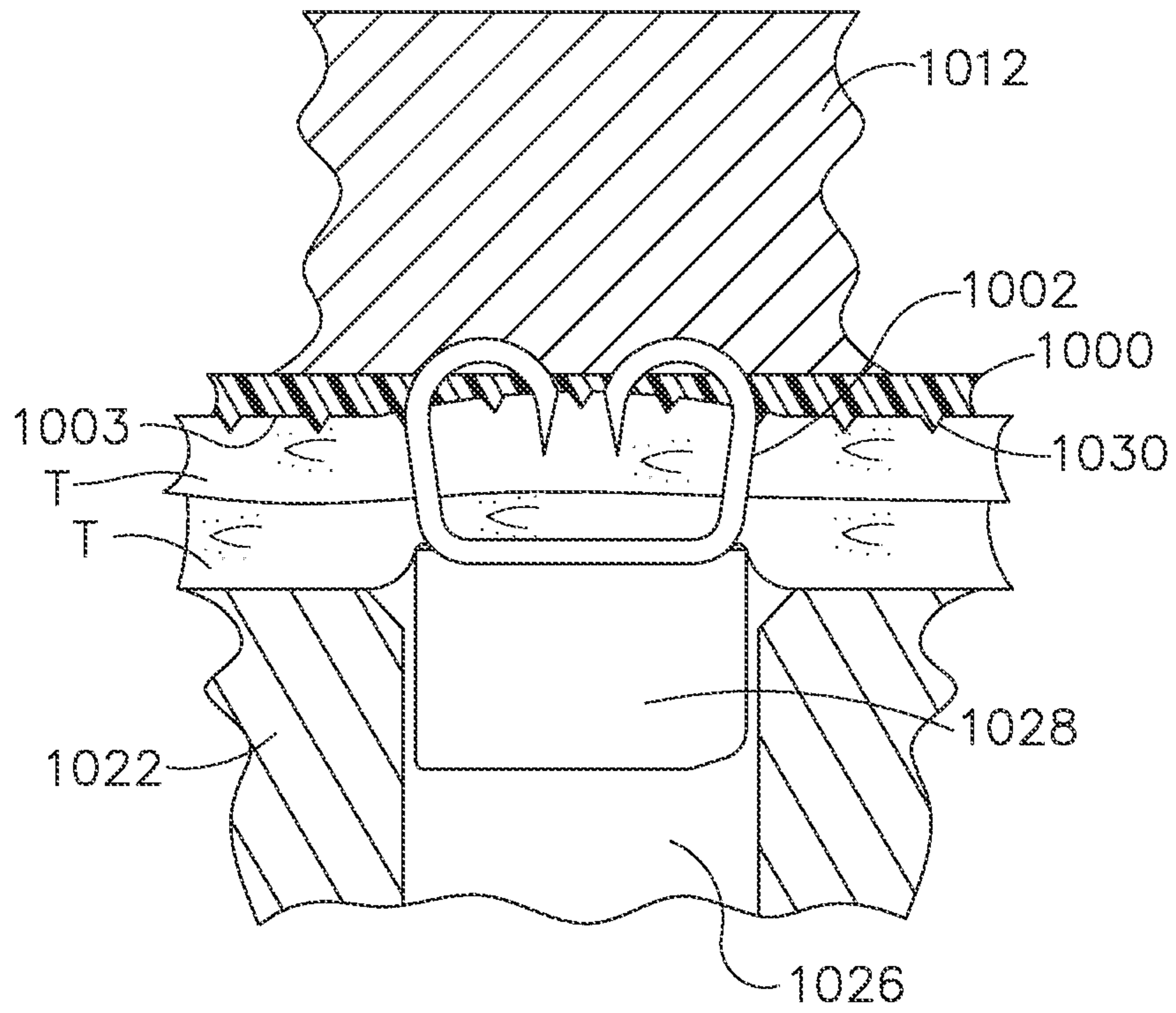


FIG. 207B

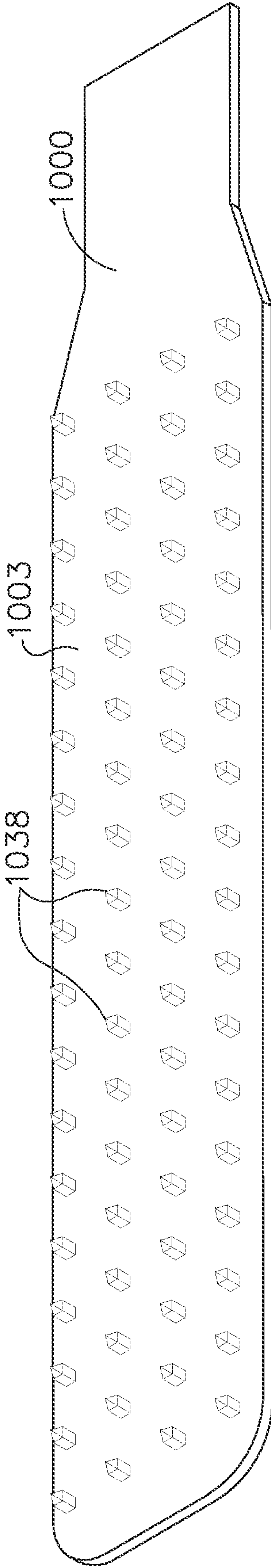


FIG. 207C



FIG. 208

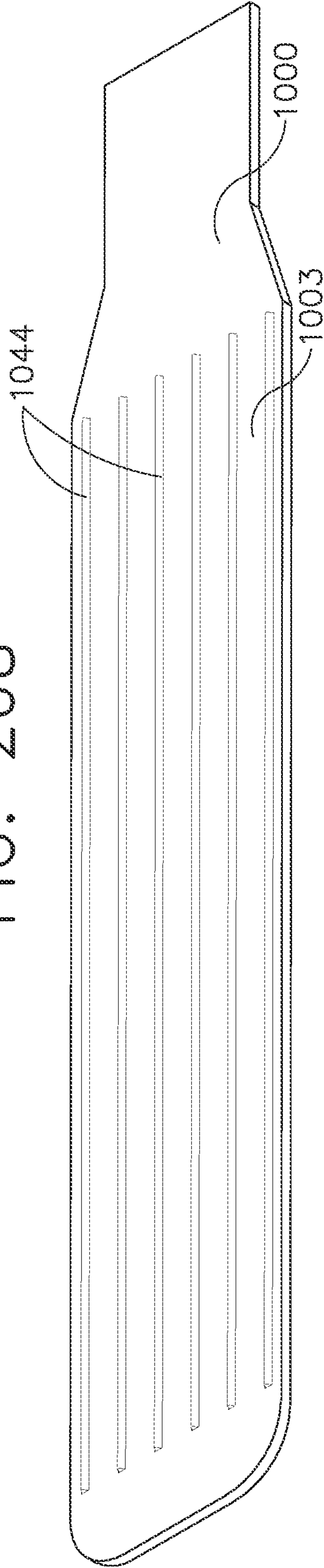


FIG. 209



FIG. 210

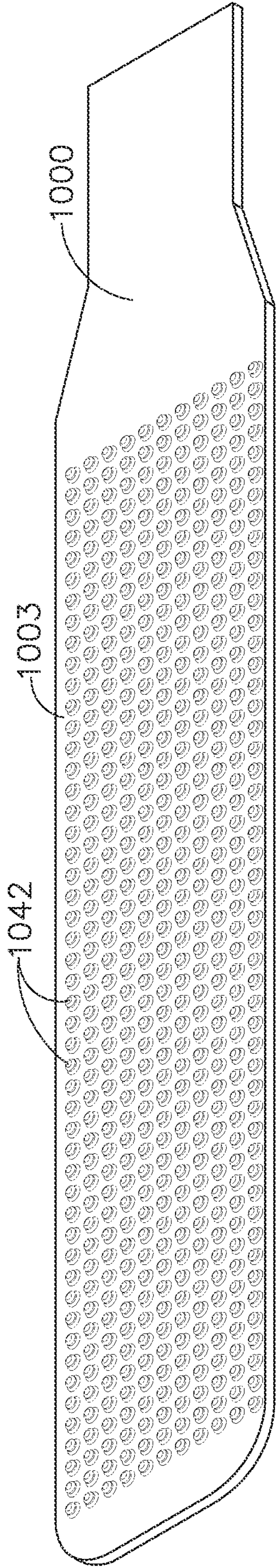


FIG. 211



FIG. 212

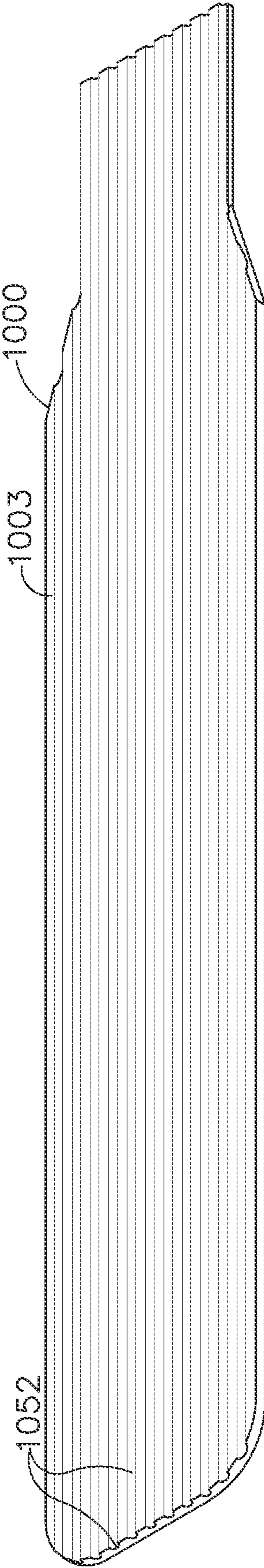


FIG. 213

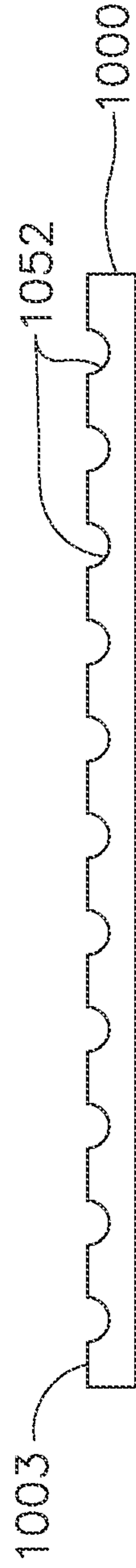


FIG. 214



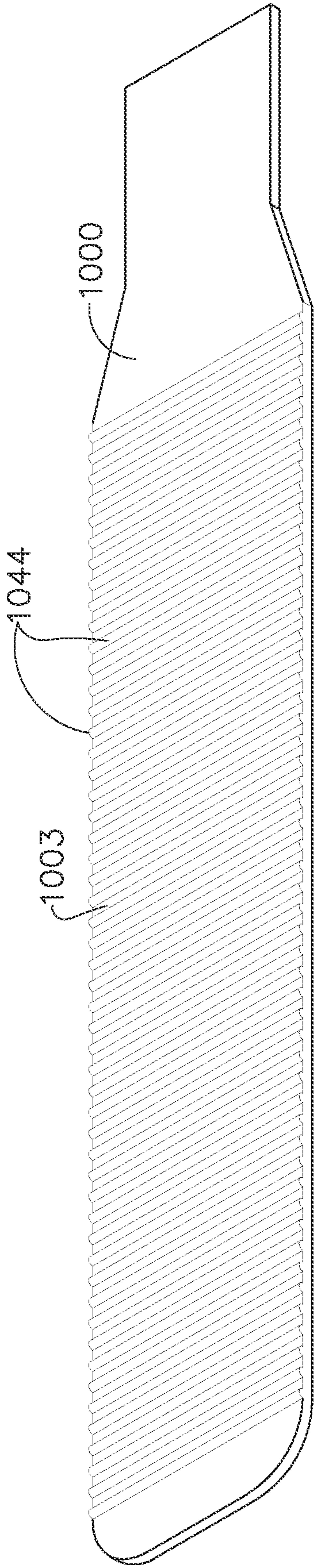


FIG. 215

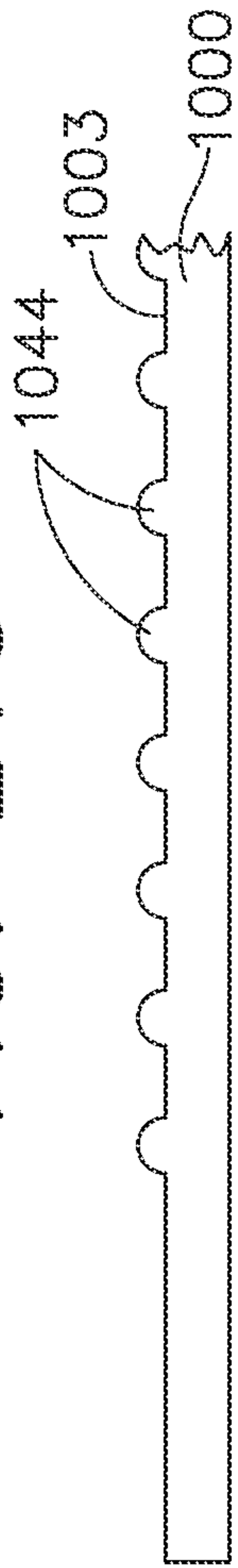


FIG. 216

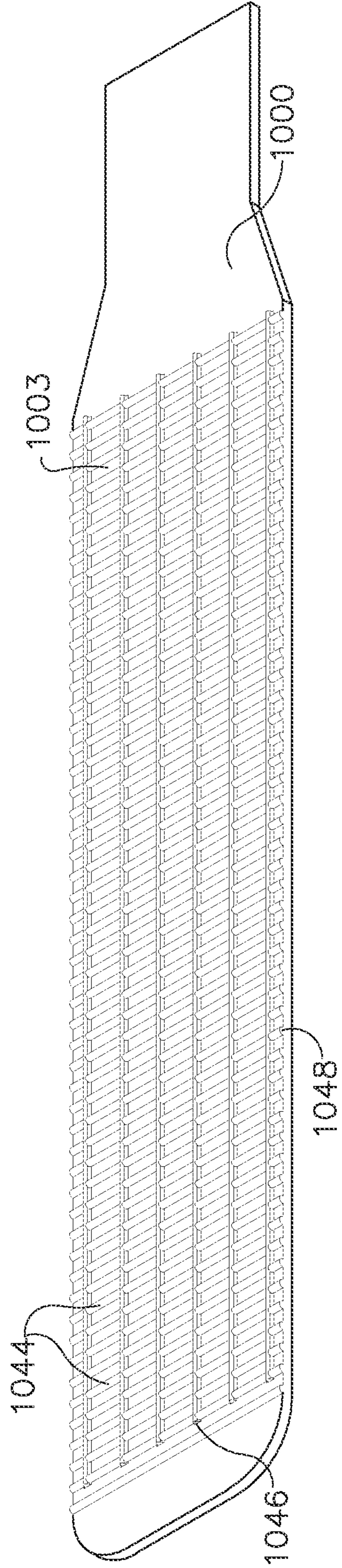


FIG. 217

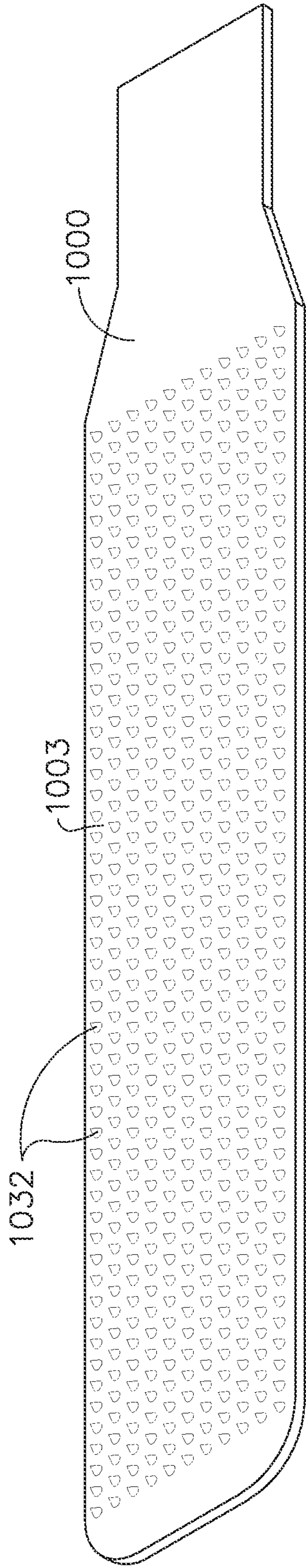


FIG. 218

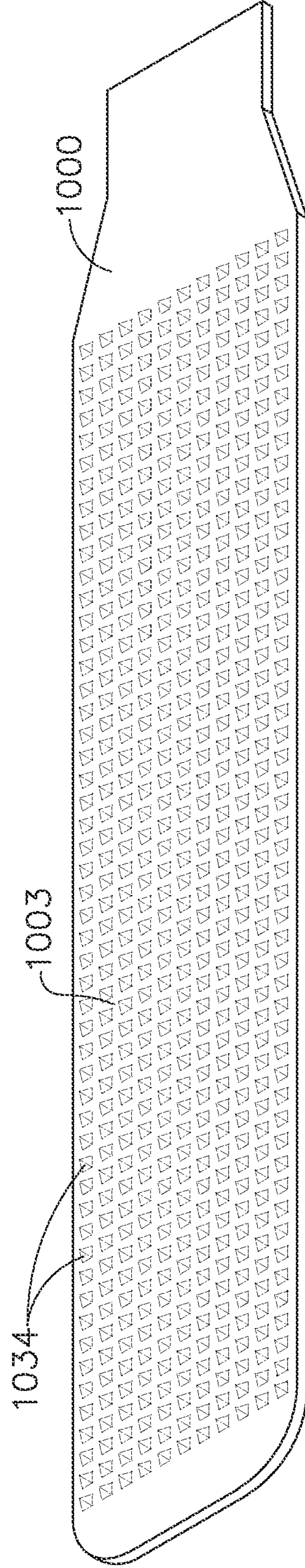


FIG. 219

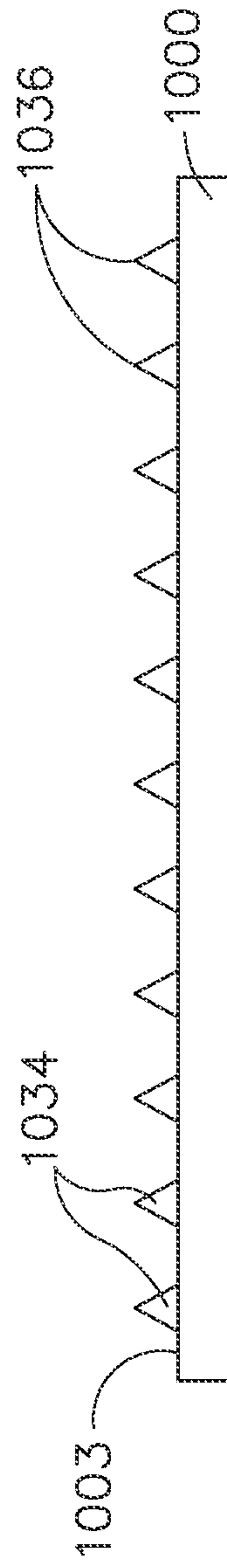


FIG. 220

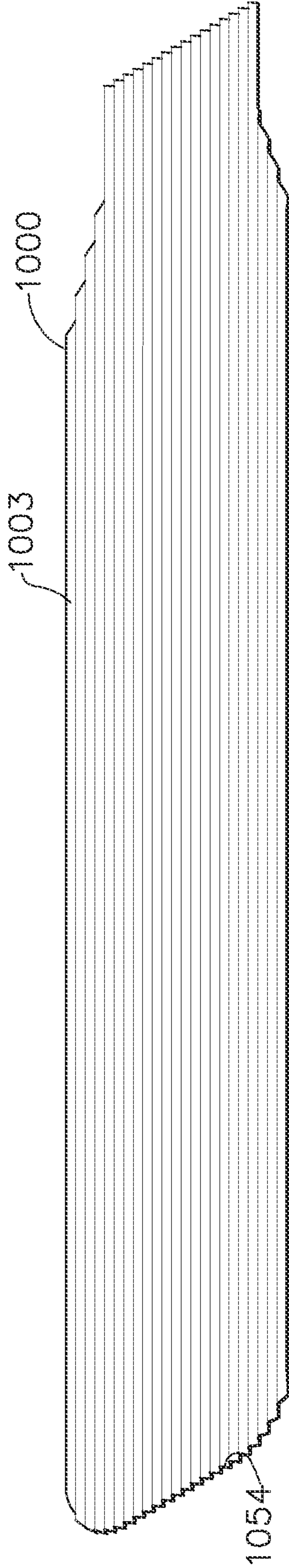


FIG. 221

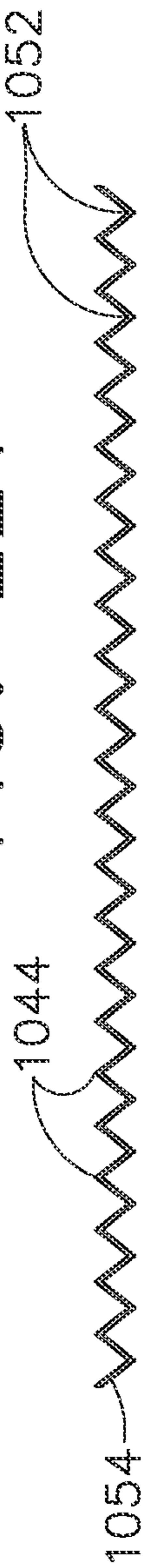


FIG. 222

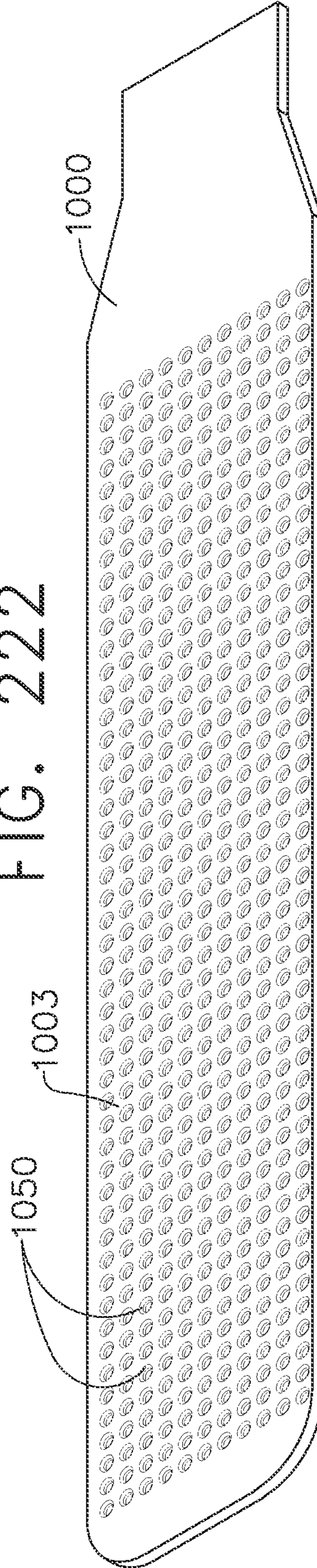


FIG. 223

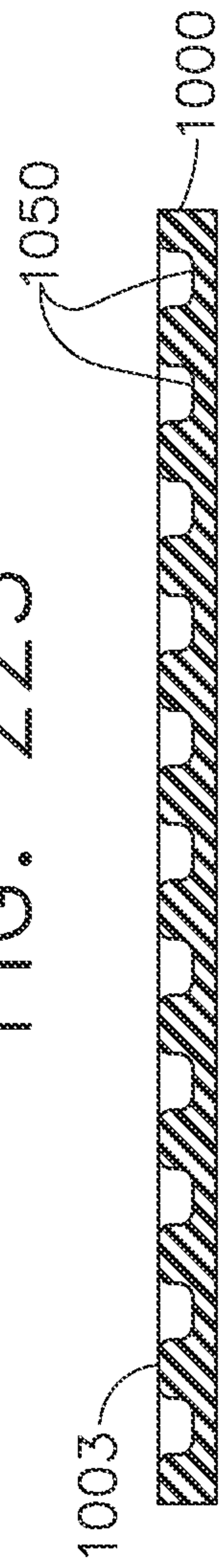


FIG. 224

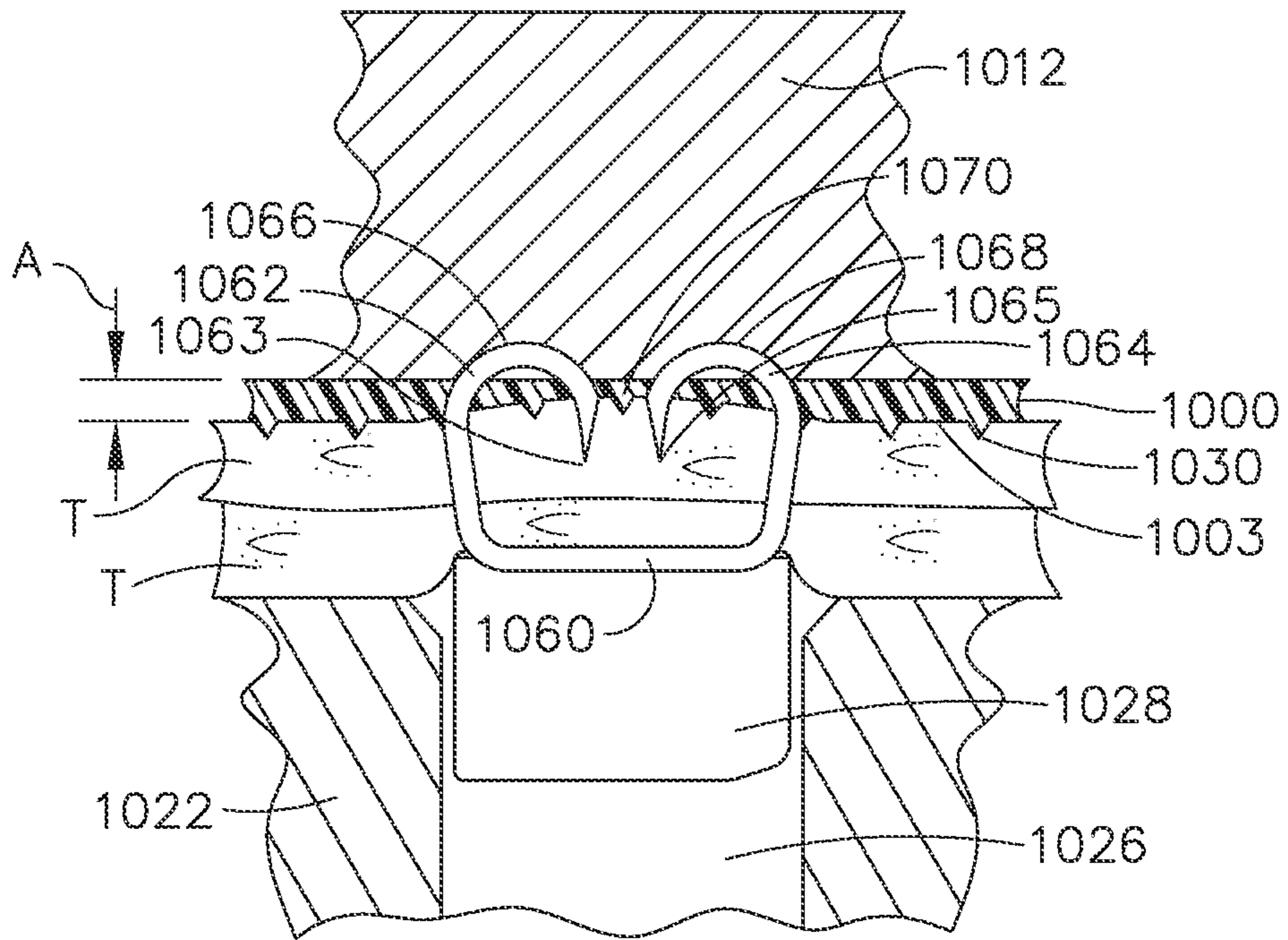


FIG. 224A

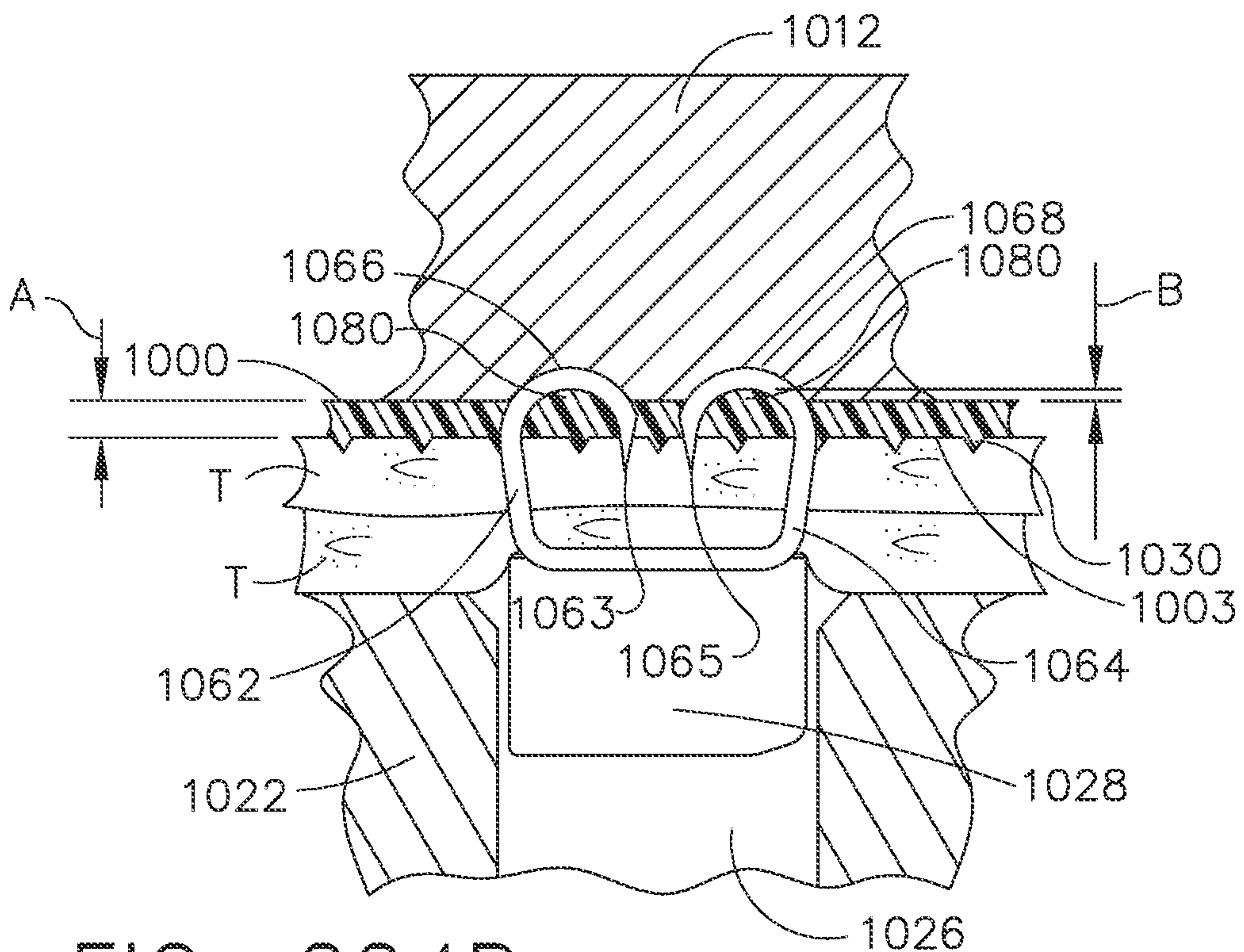


FIG. 224B

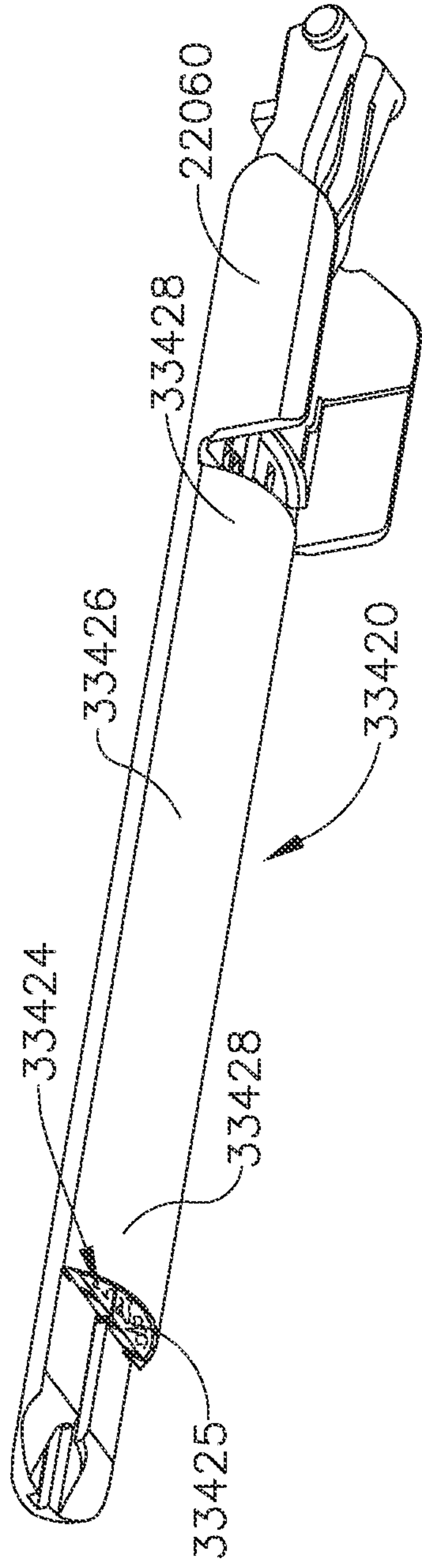


FIG. 225

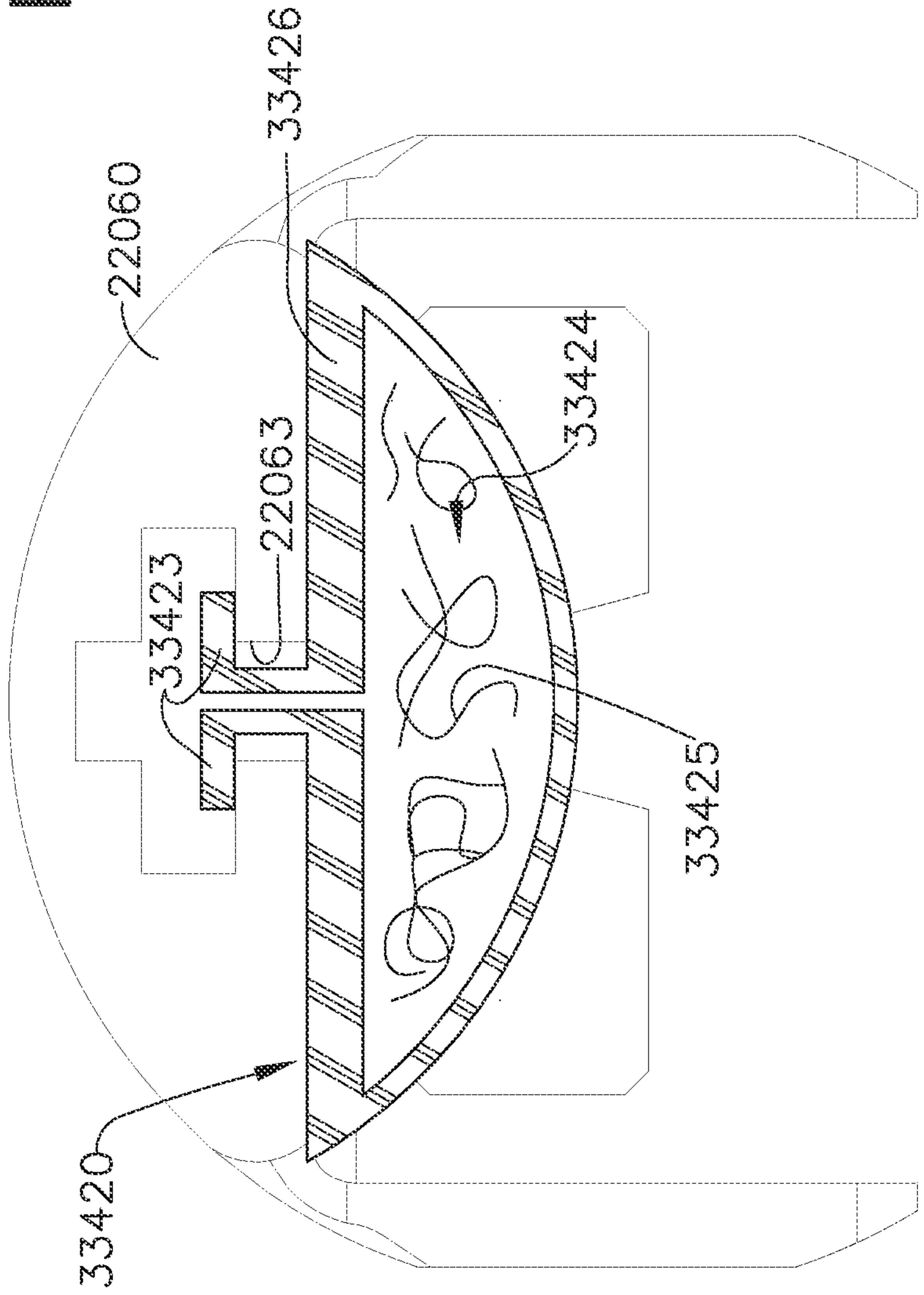


FIG. 226

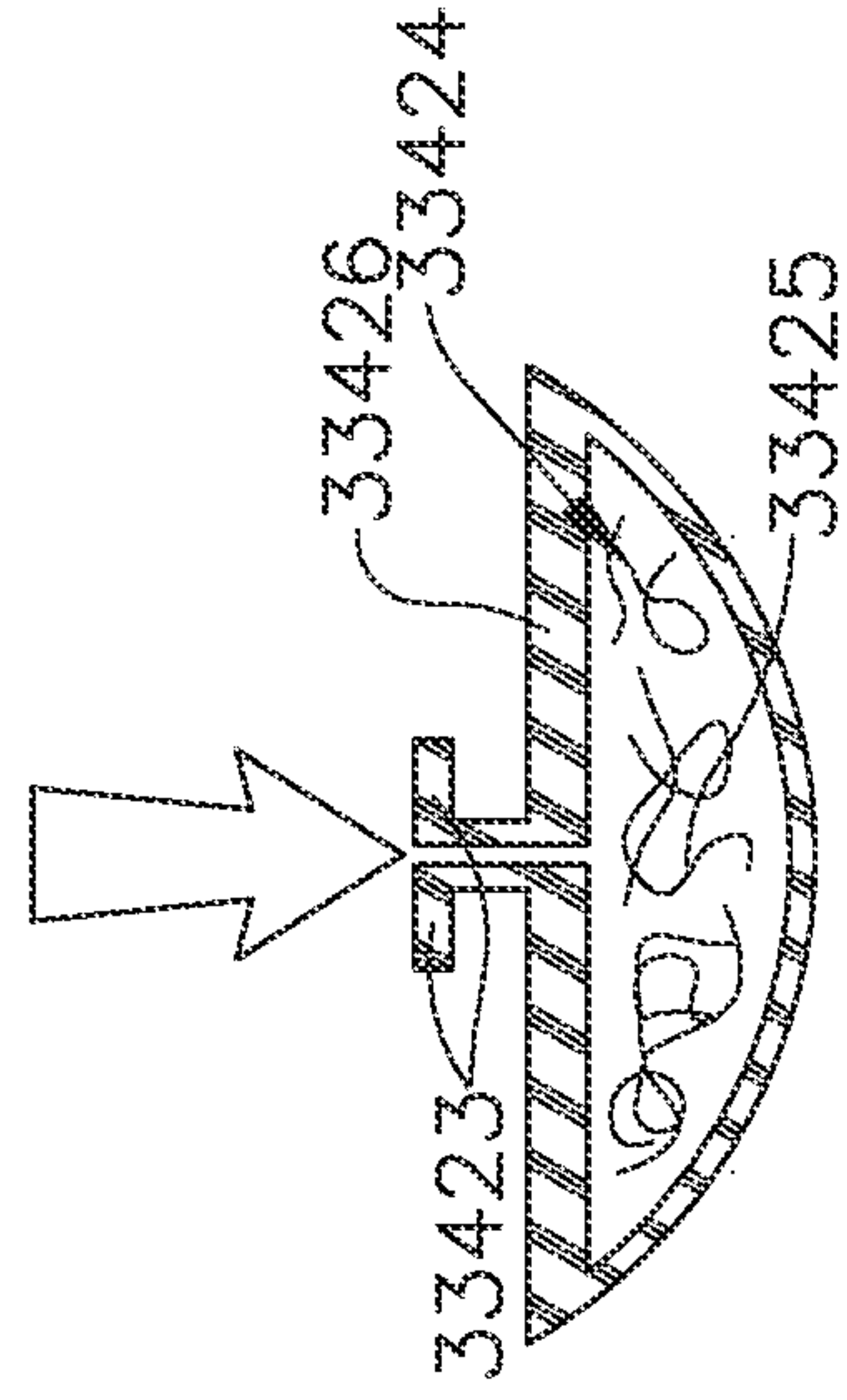


FIG. 227

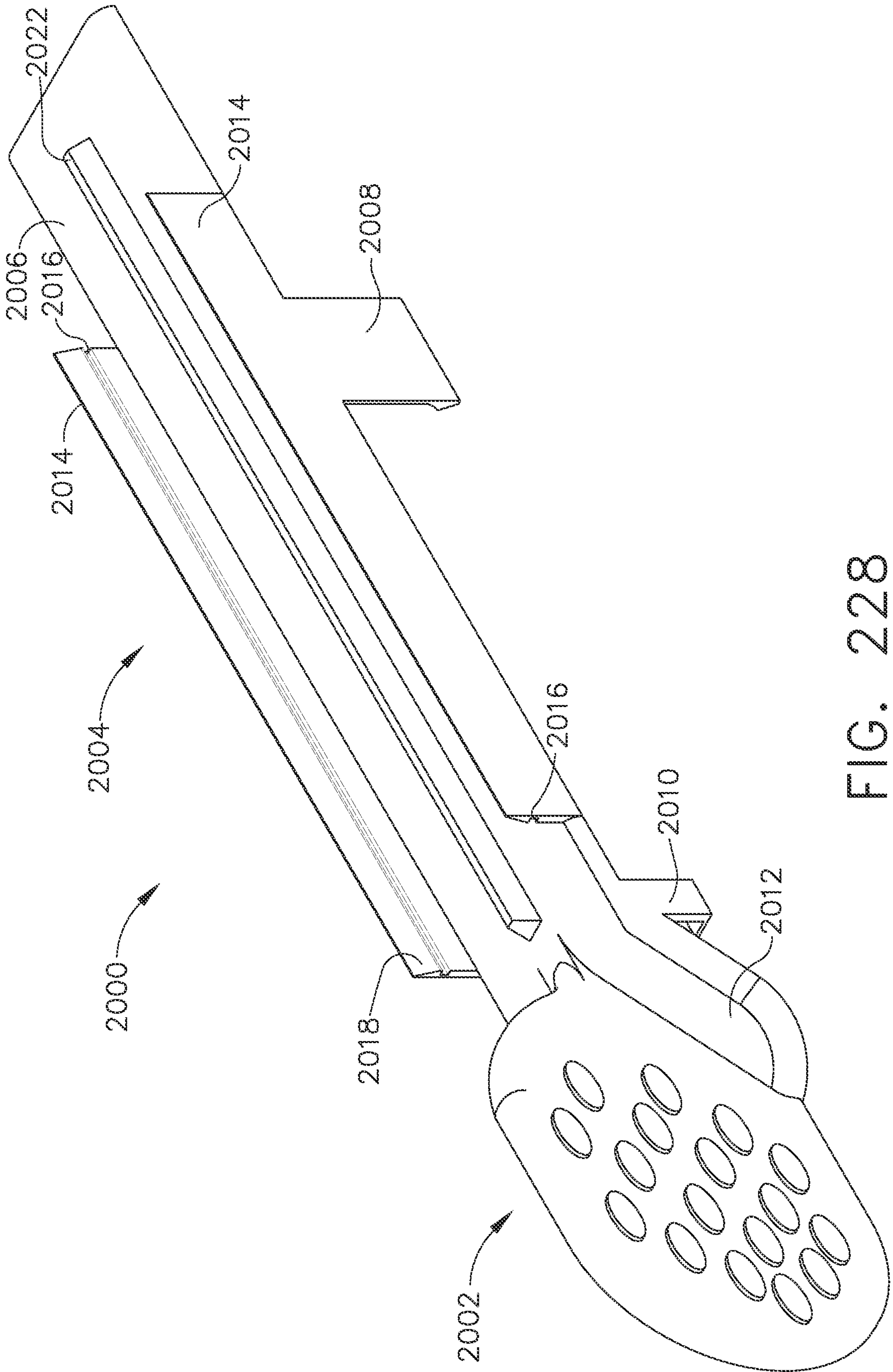
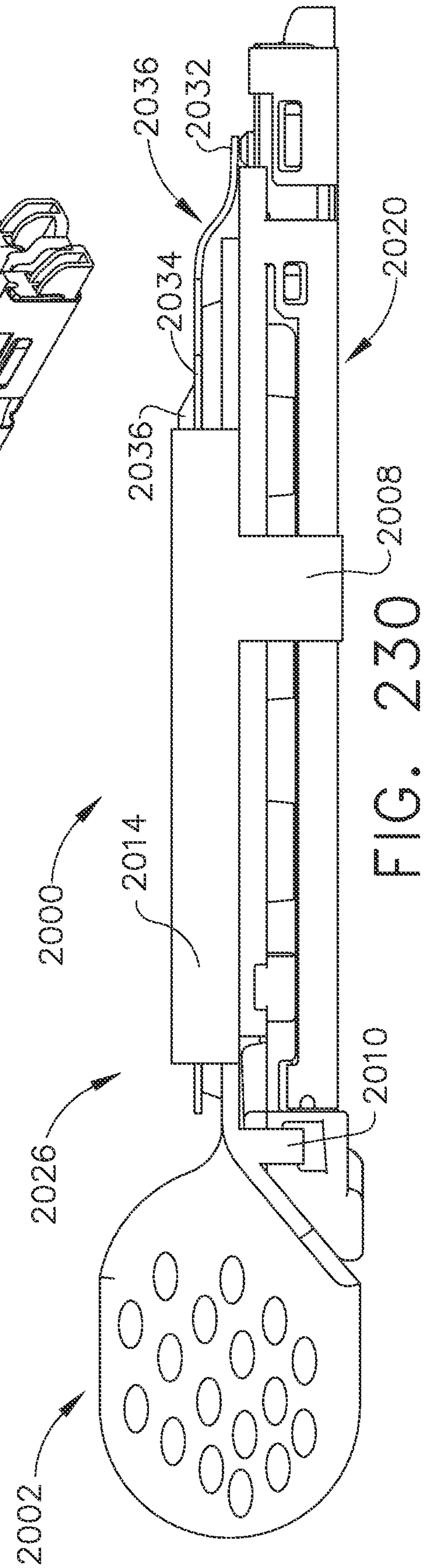
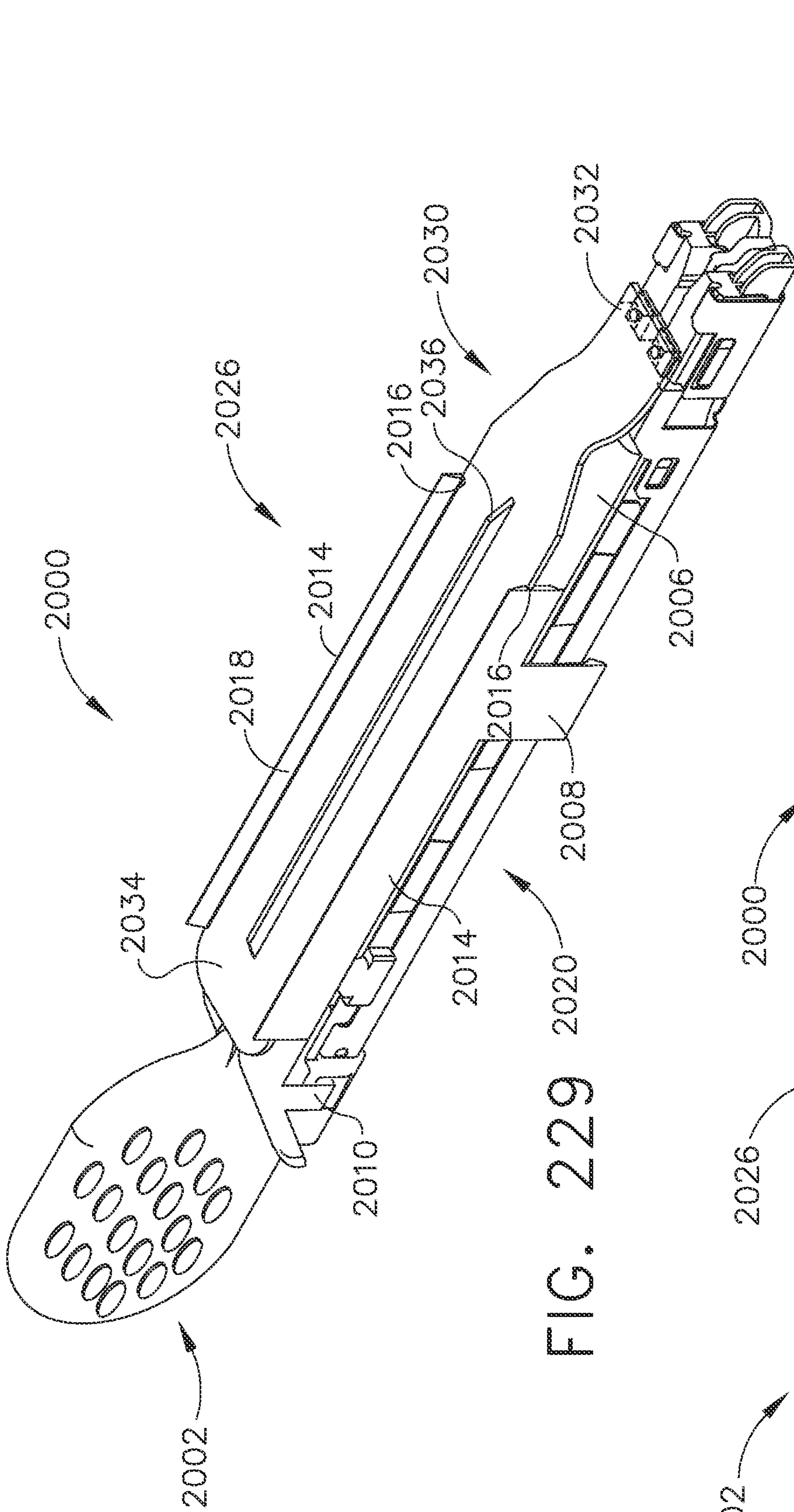


FIG. 228



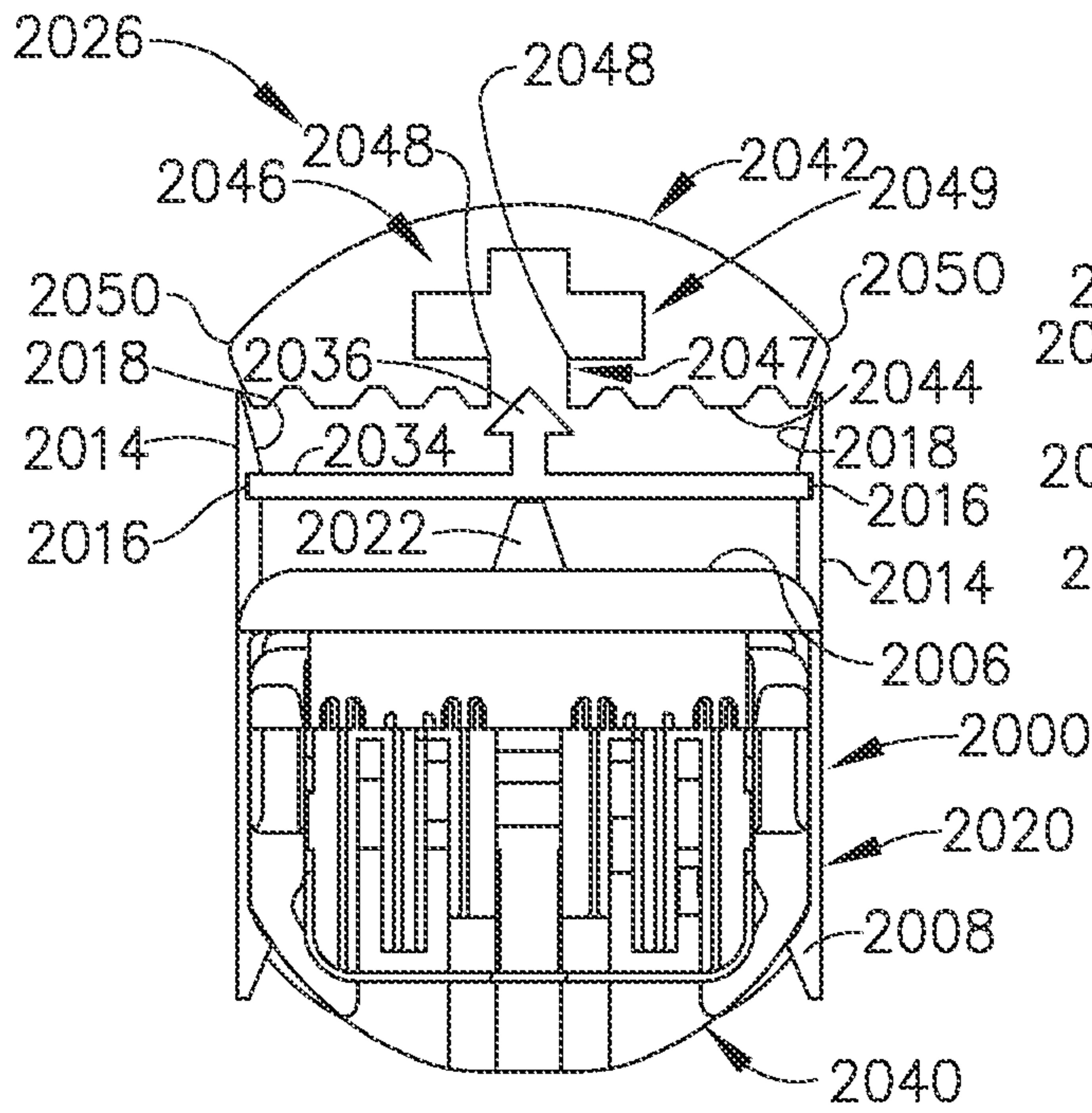


FIG. 231

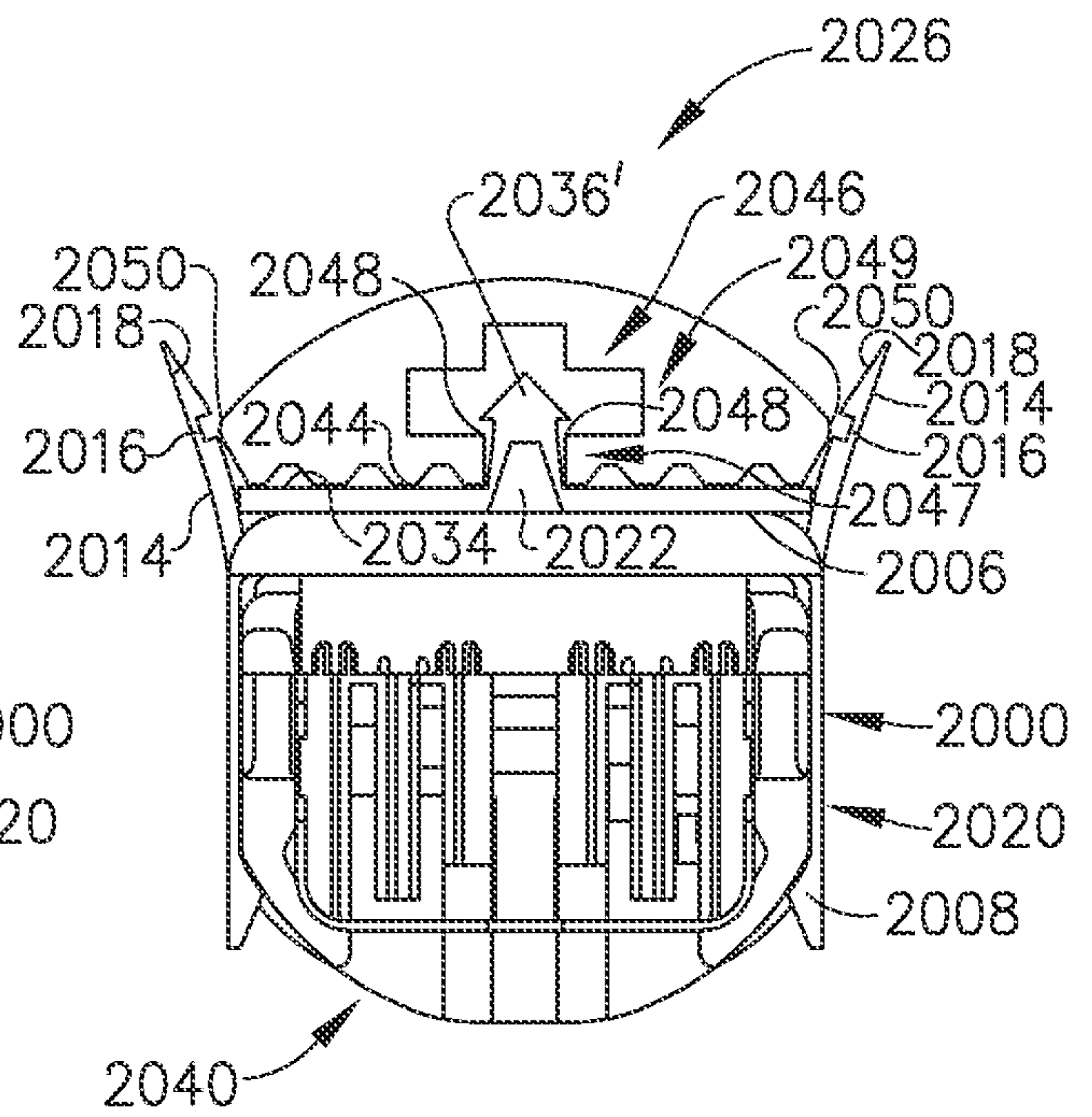


FIG. 232

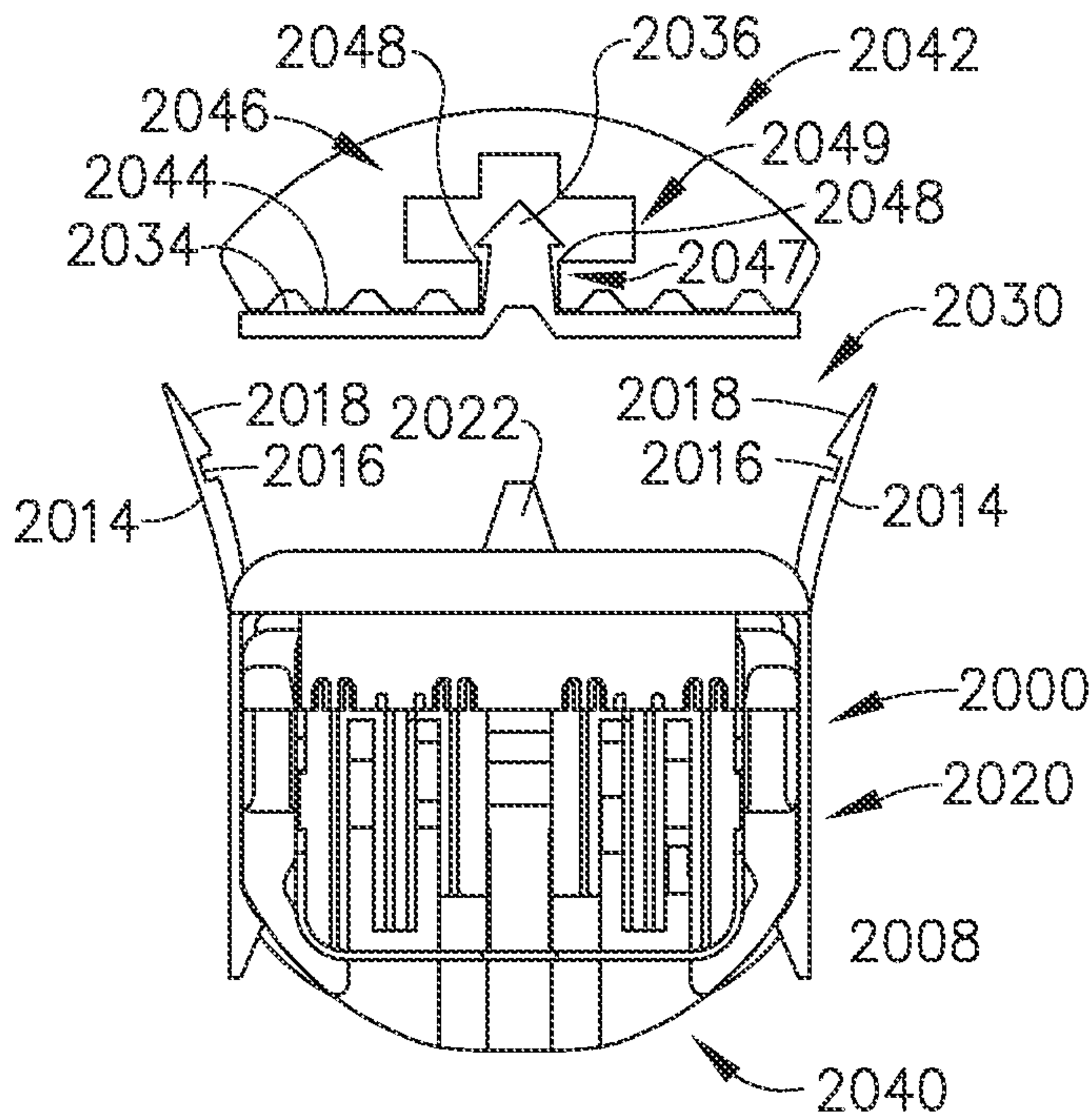


FIG. 233

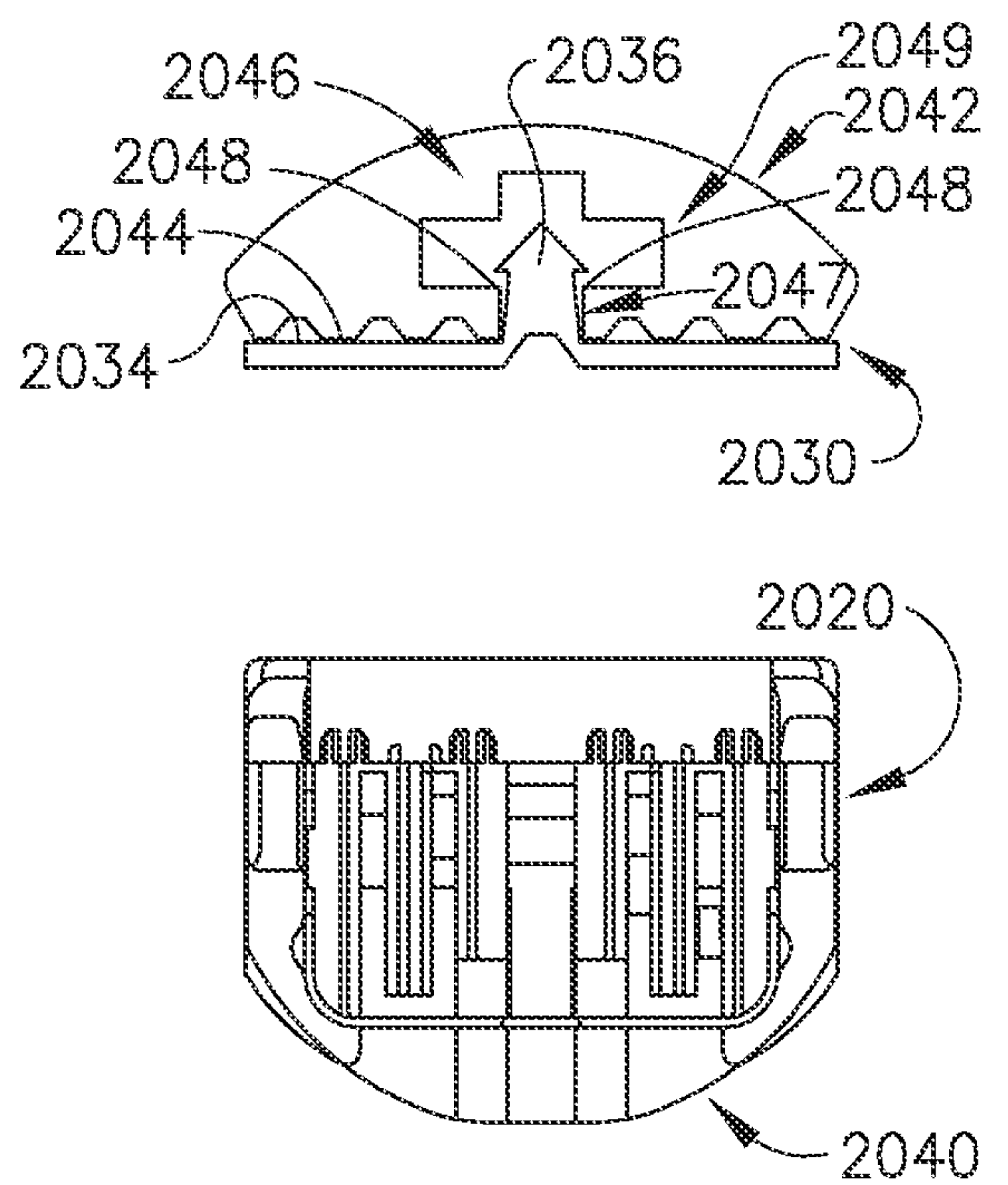


FIG. 234



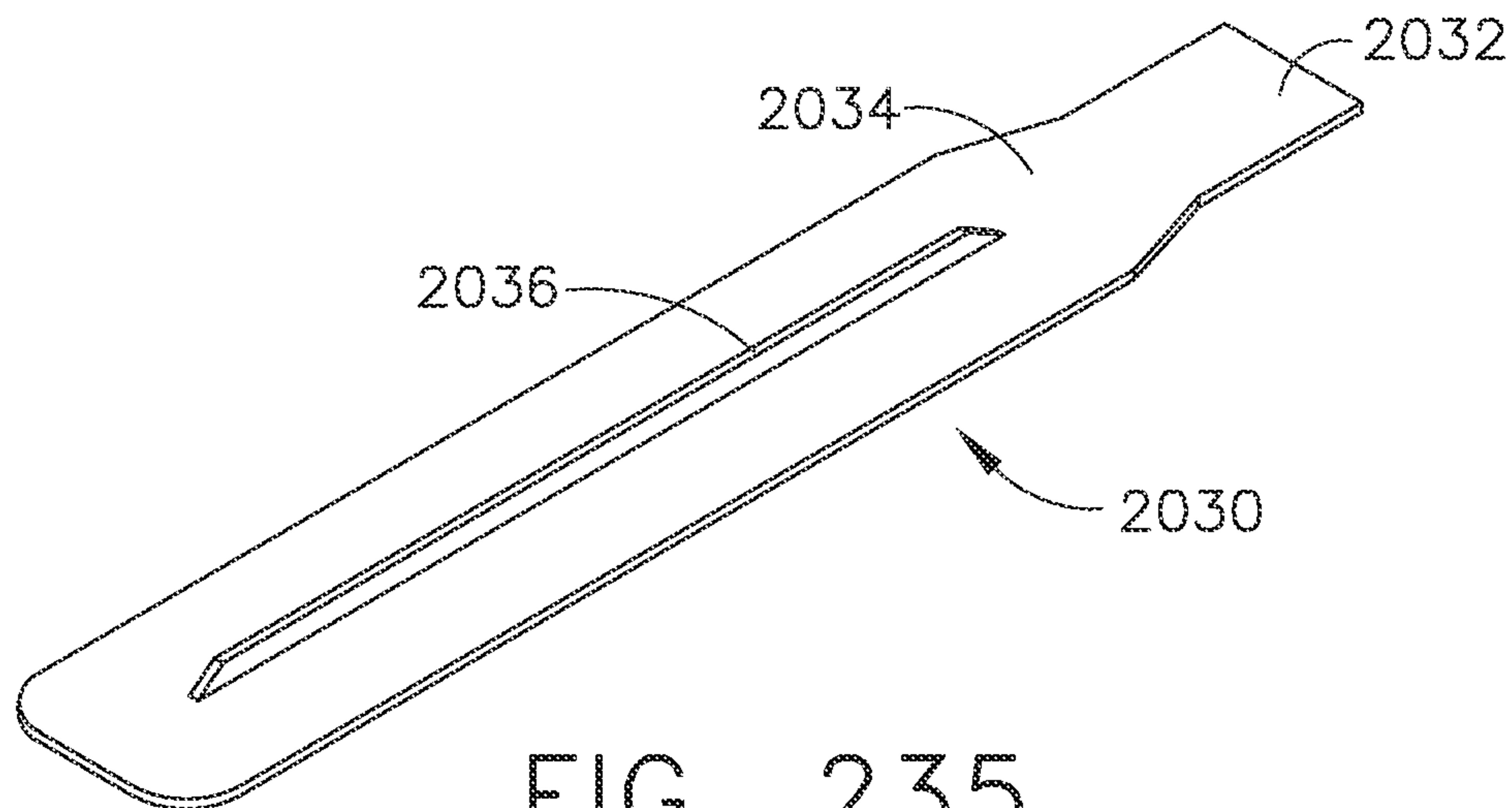


FIG. 235

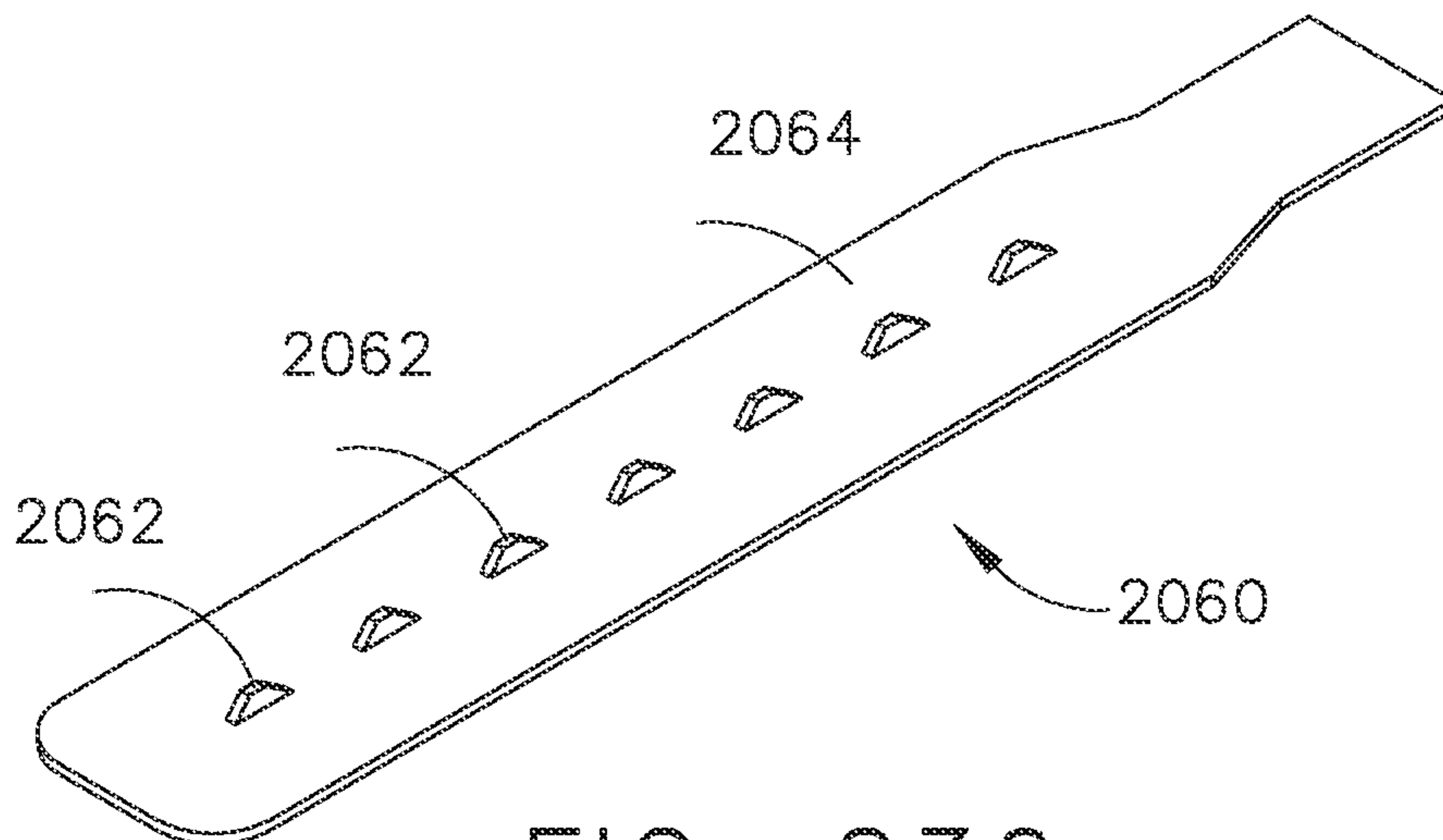


FIG. 236

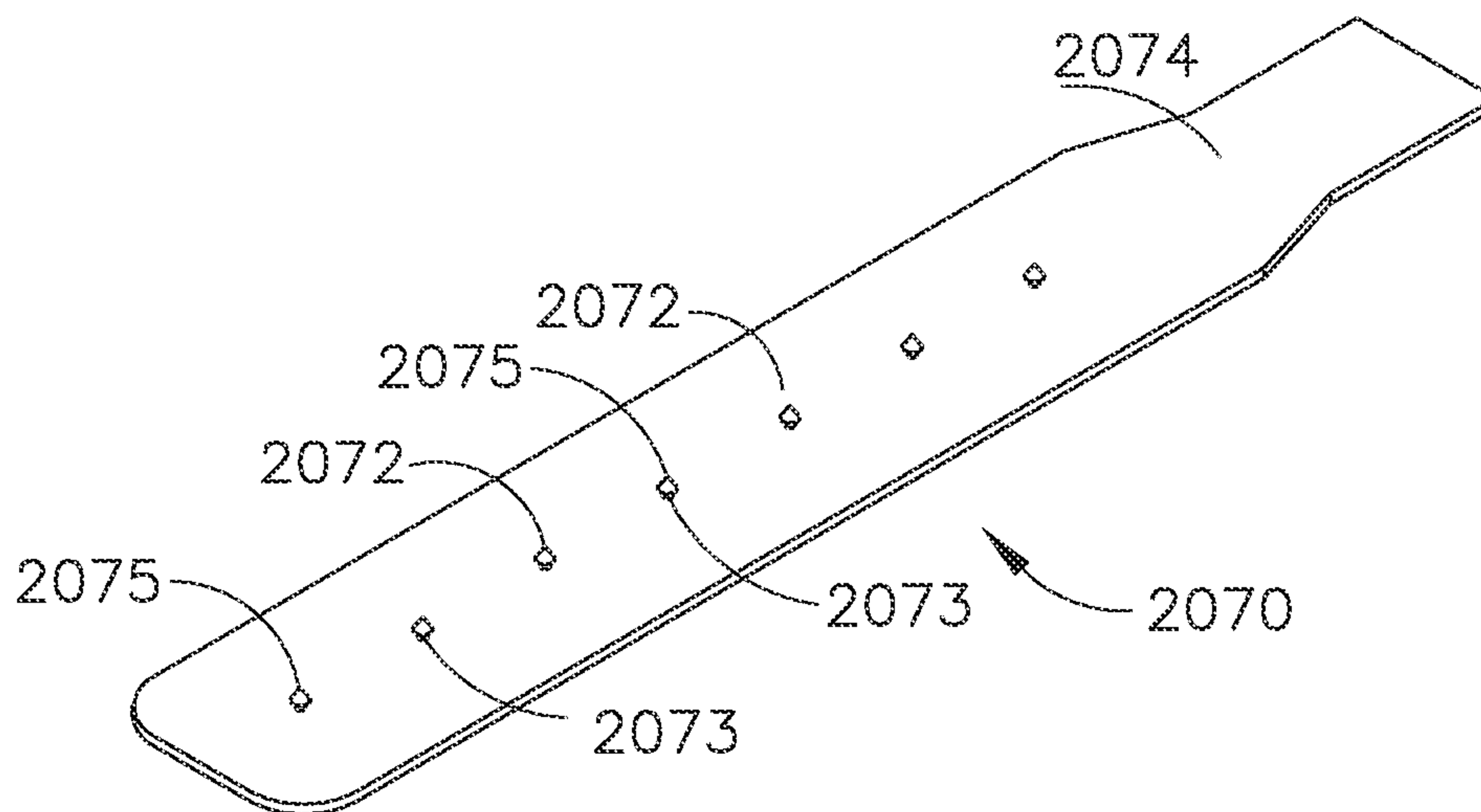


FIG. 237

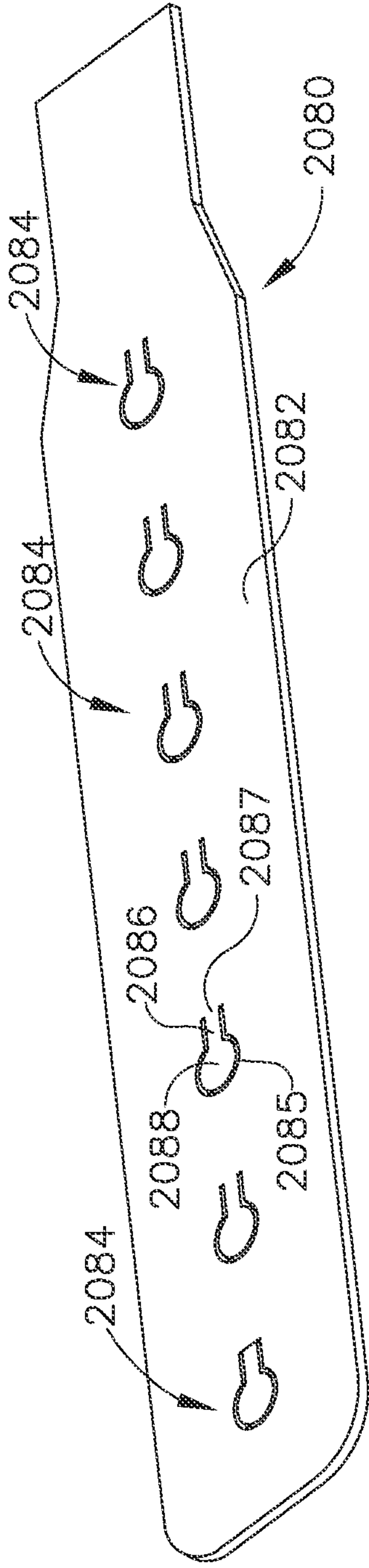


FIG. 238

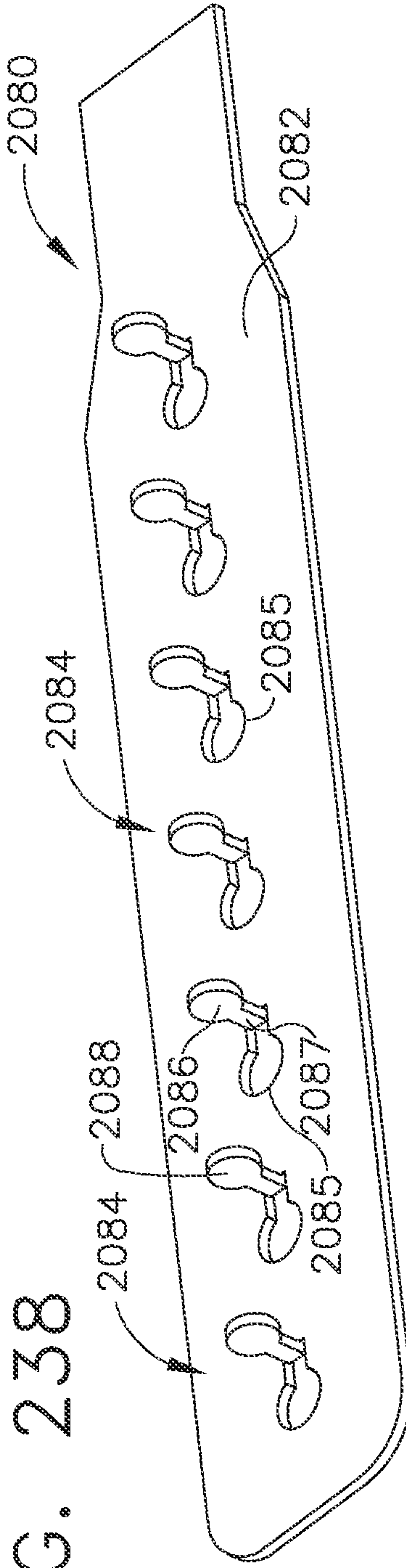


FIG. 239

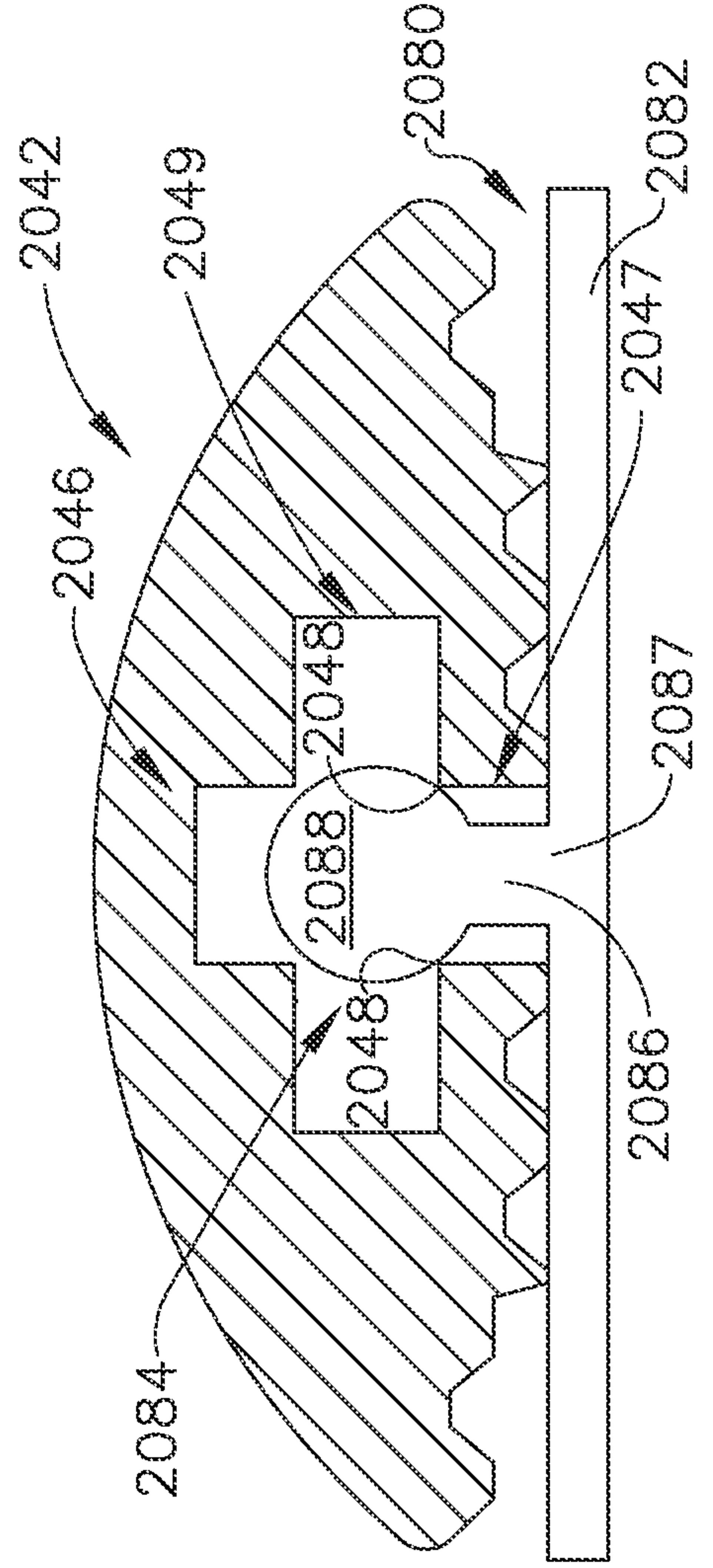


FIG. 240

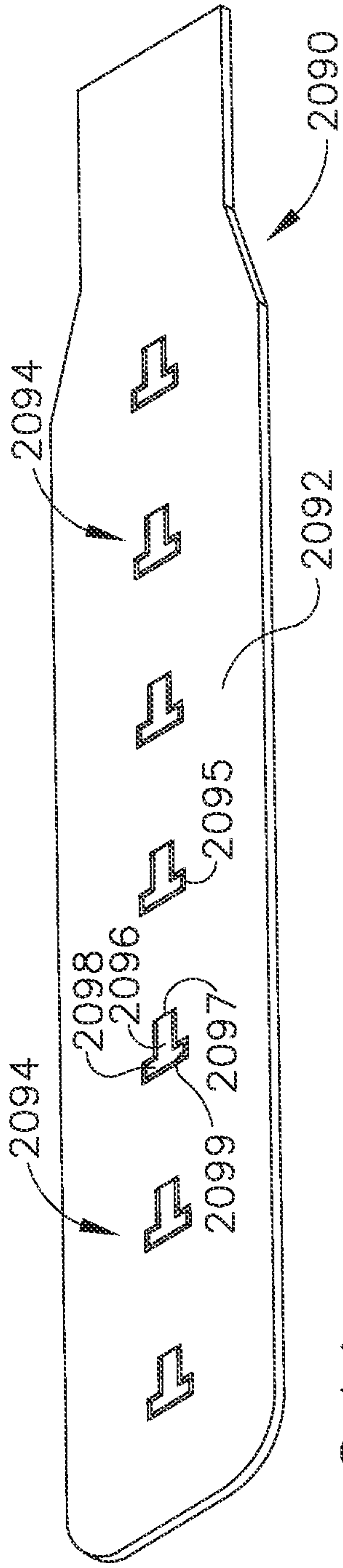


FIG. 241

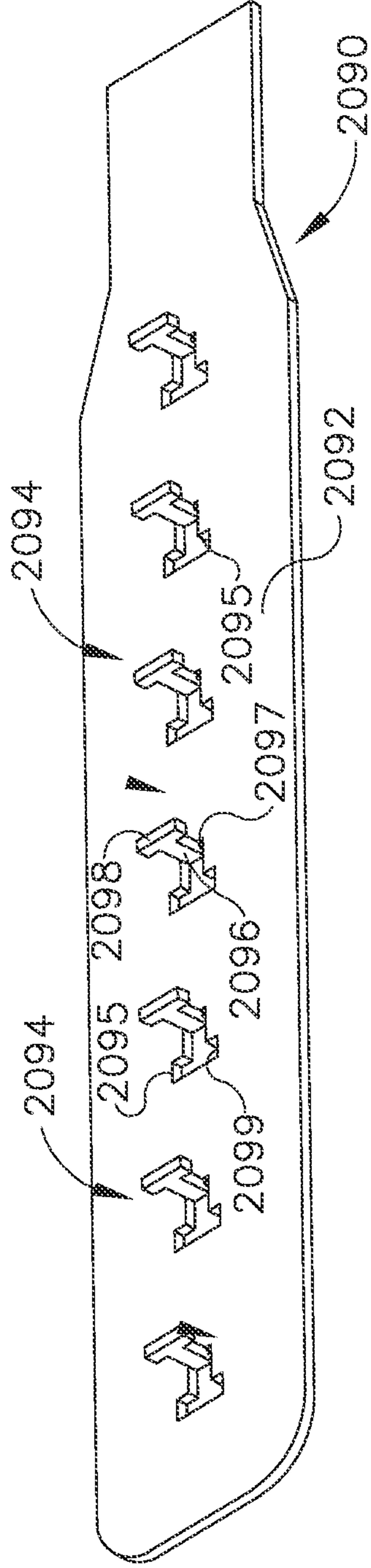


FIG. 242

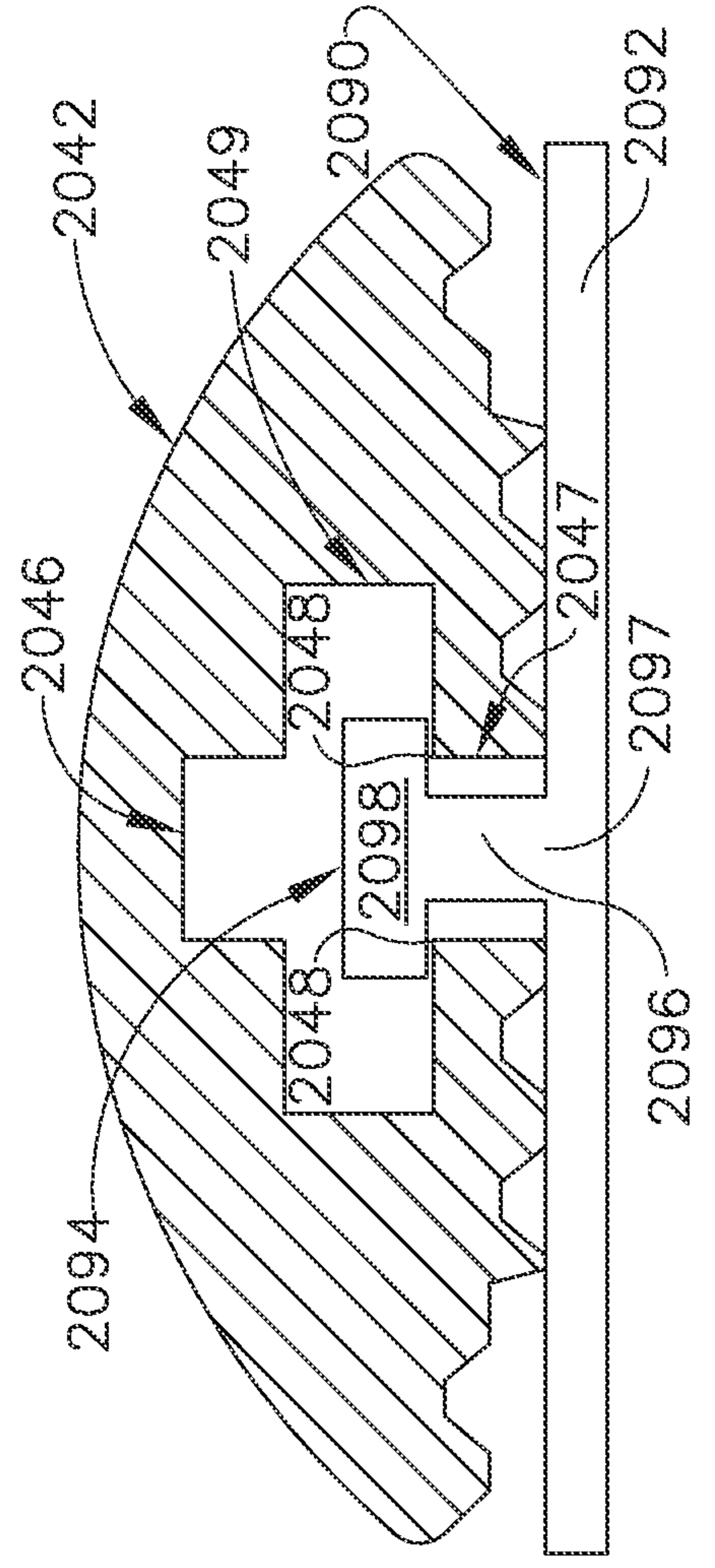


FIG. 243

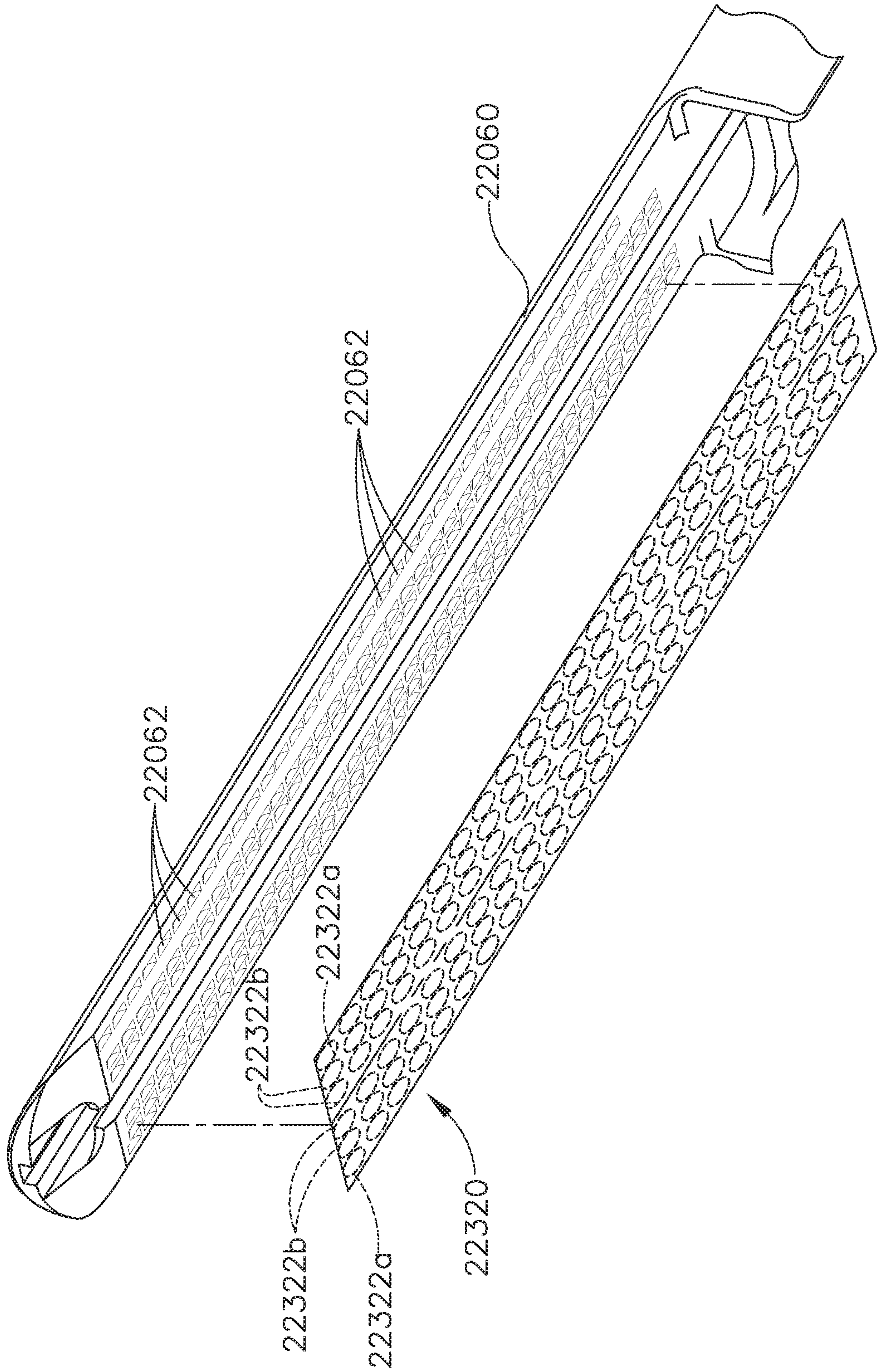


FIG. 244

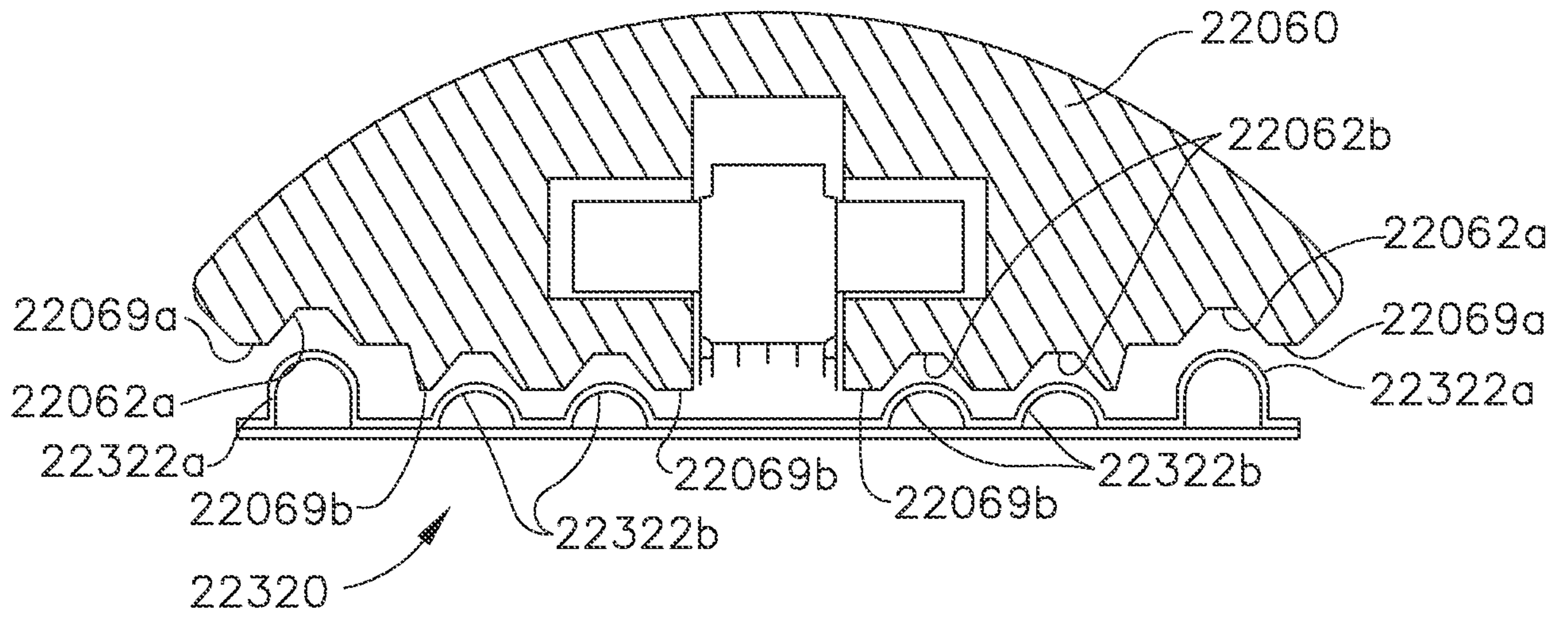


FIG. 245

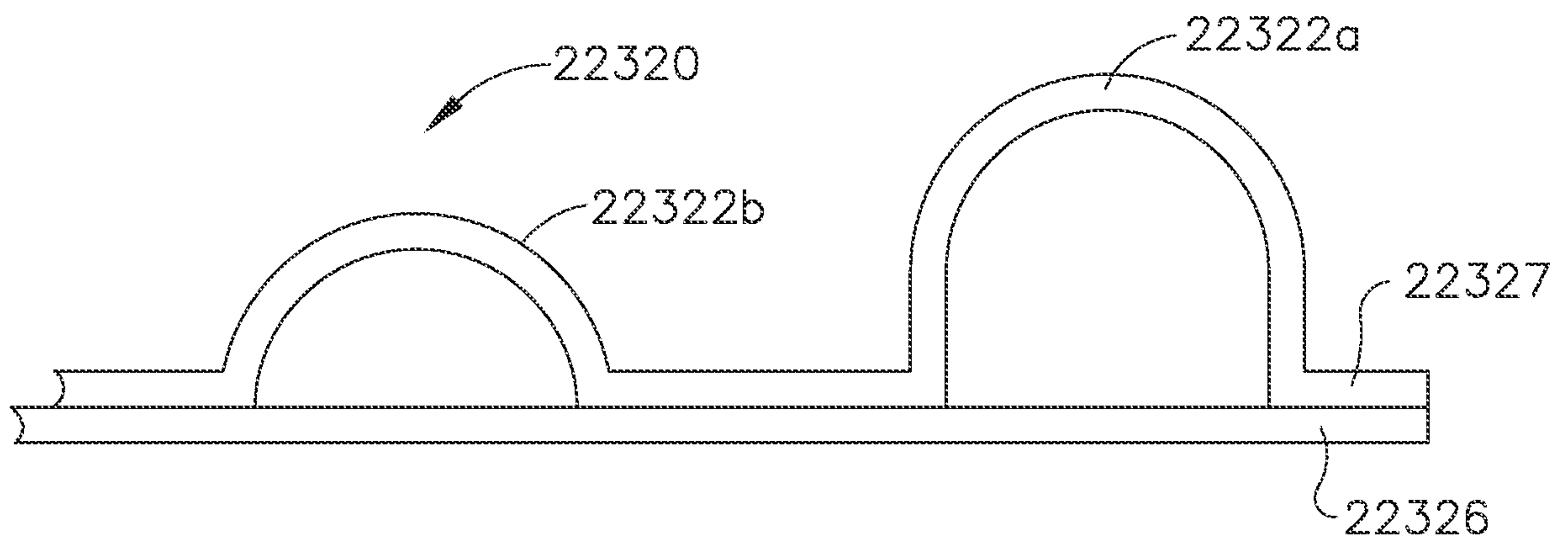


FIG. 246

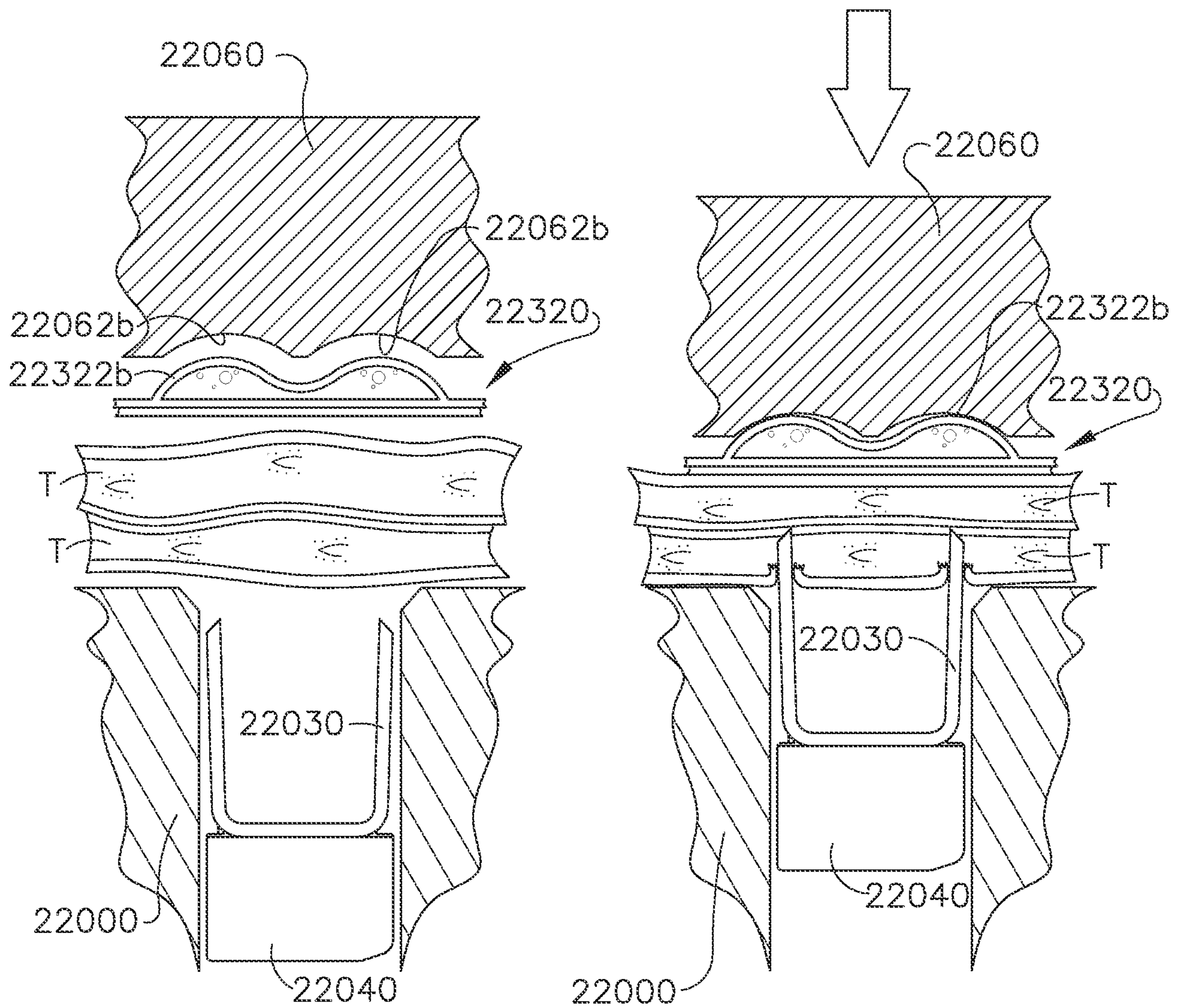


FIG. 247

FIG. 248

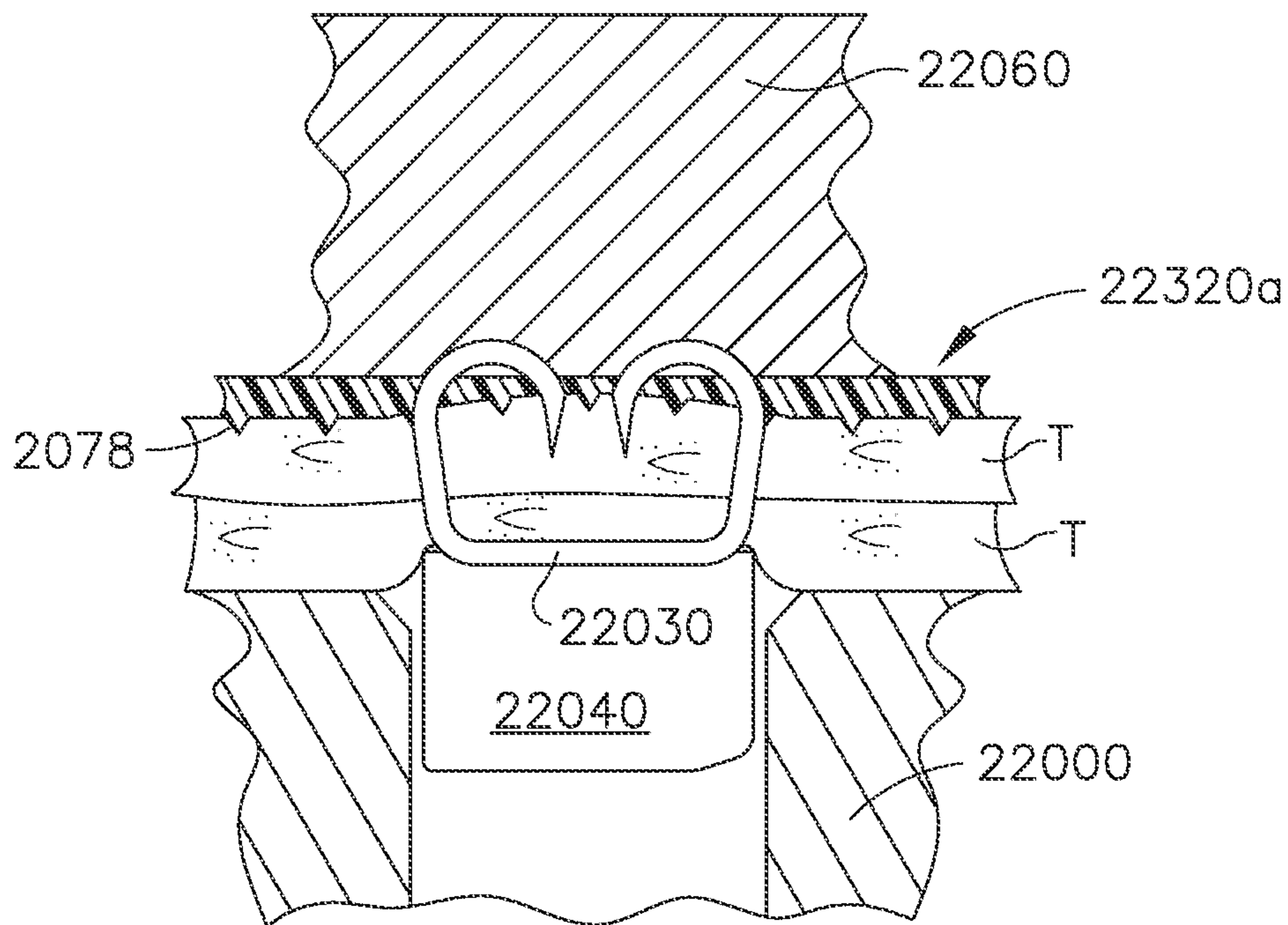


FIG. 249

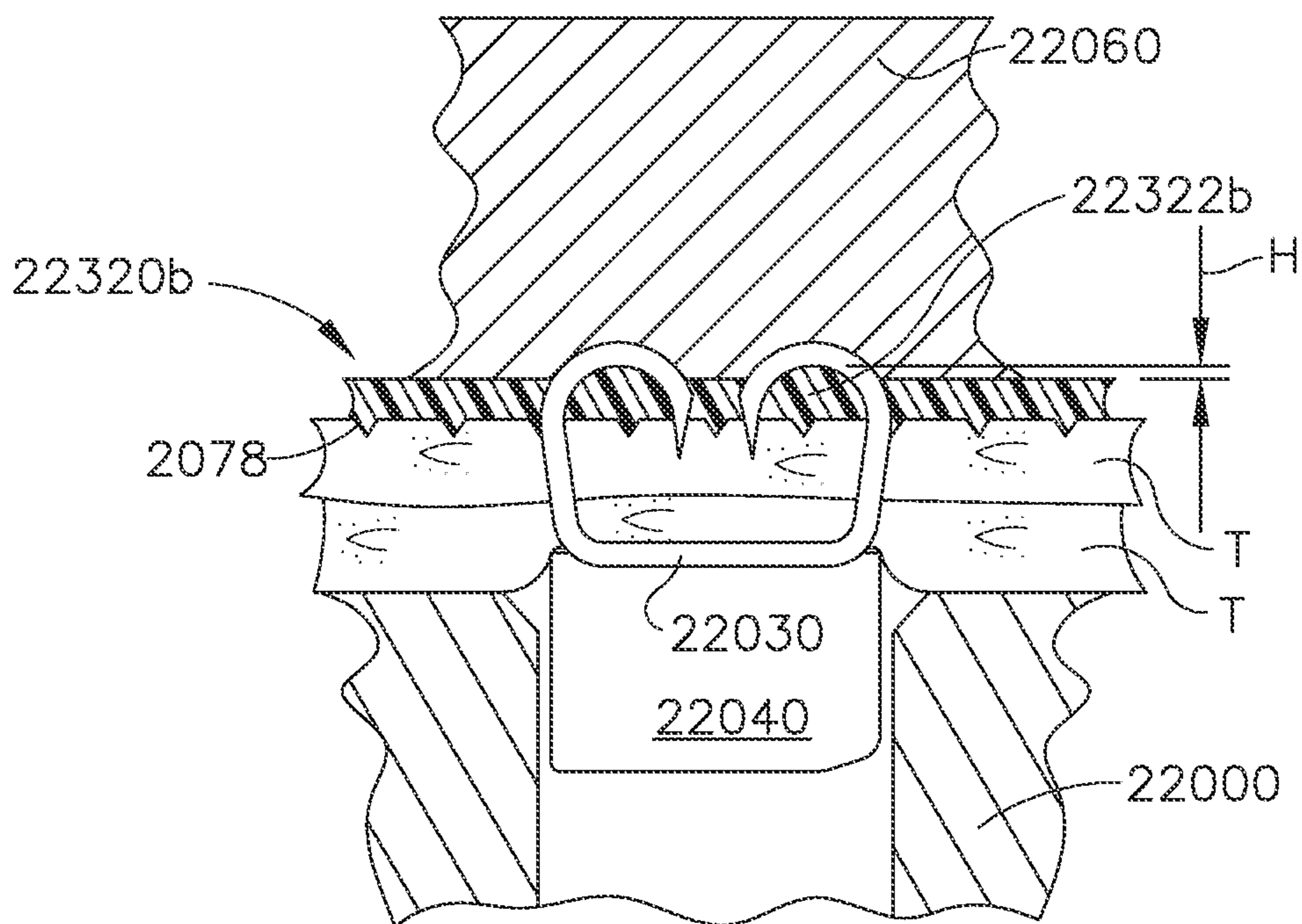


FIG. 250

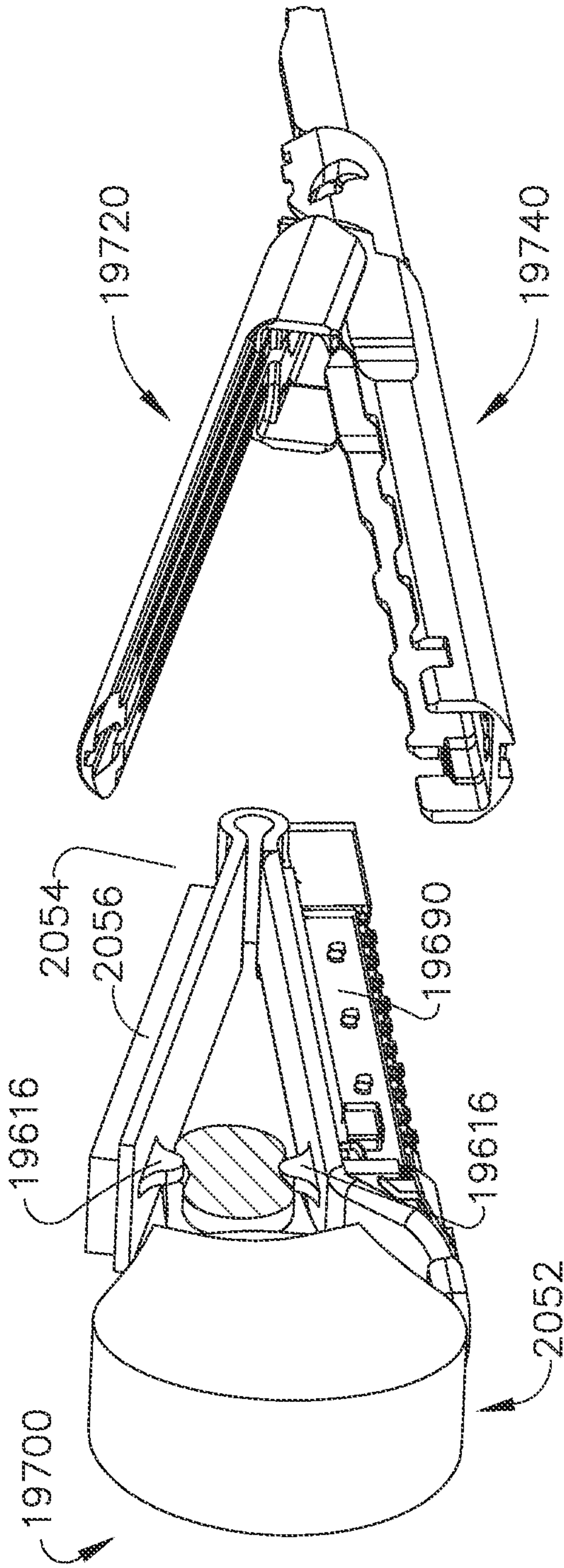


FIG. 251

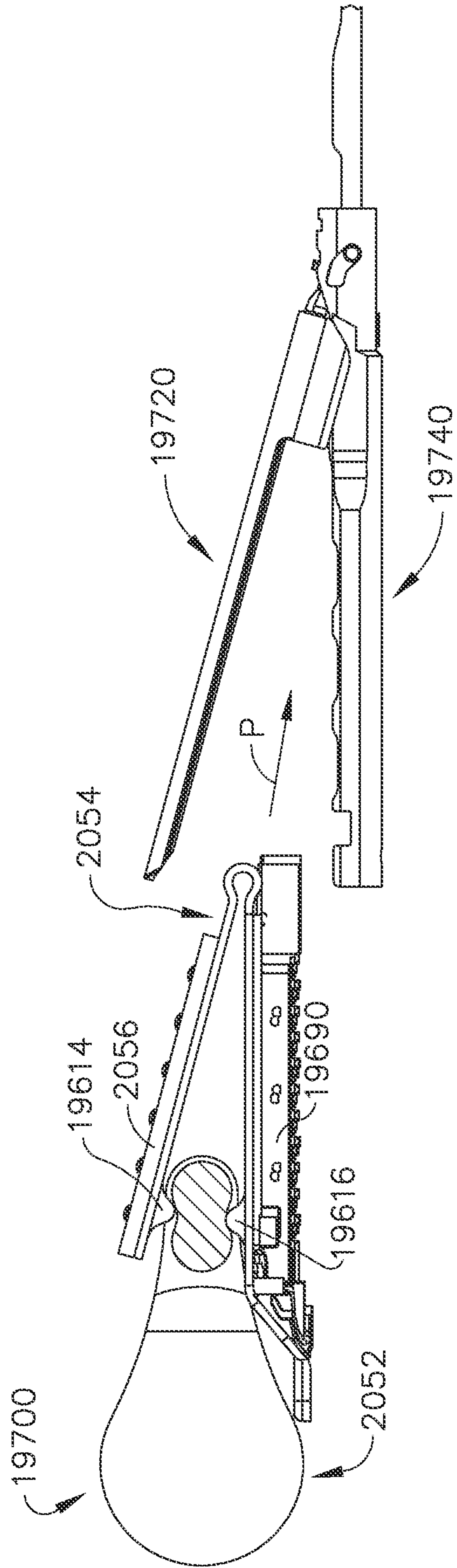


FIG. 252



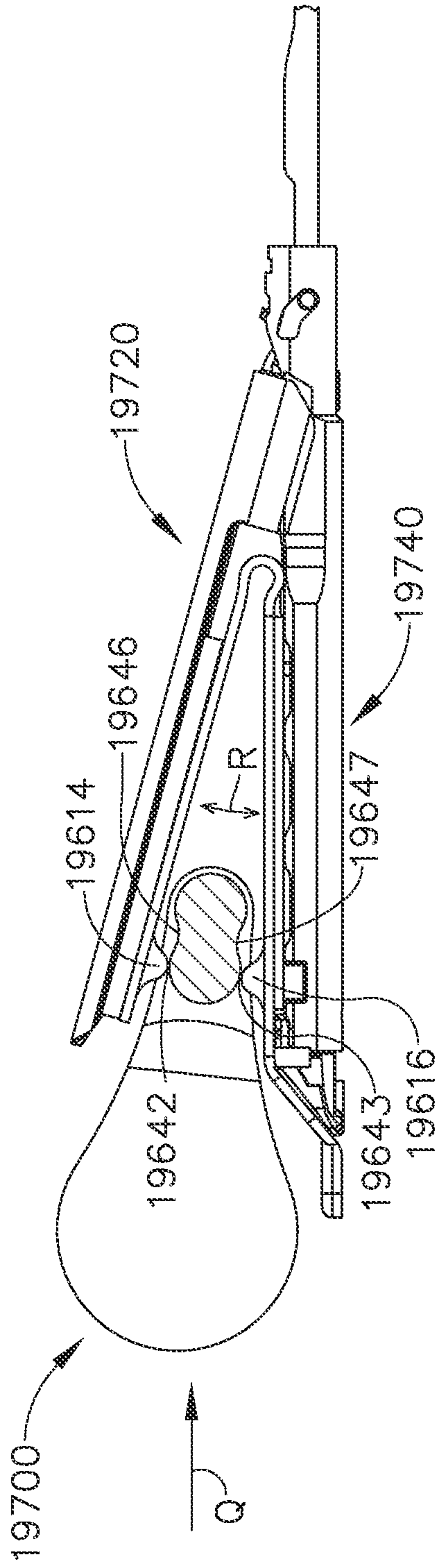


FIG. 253

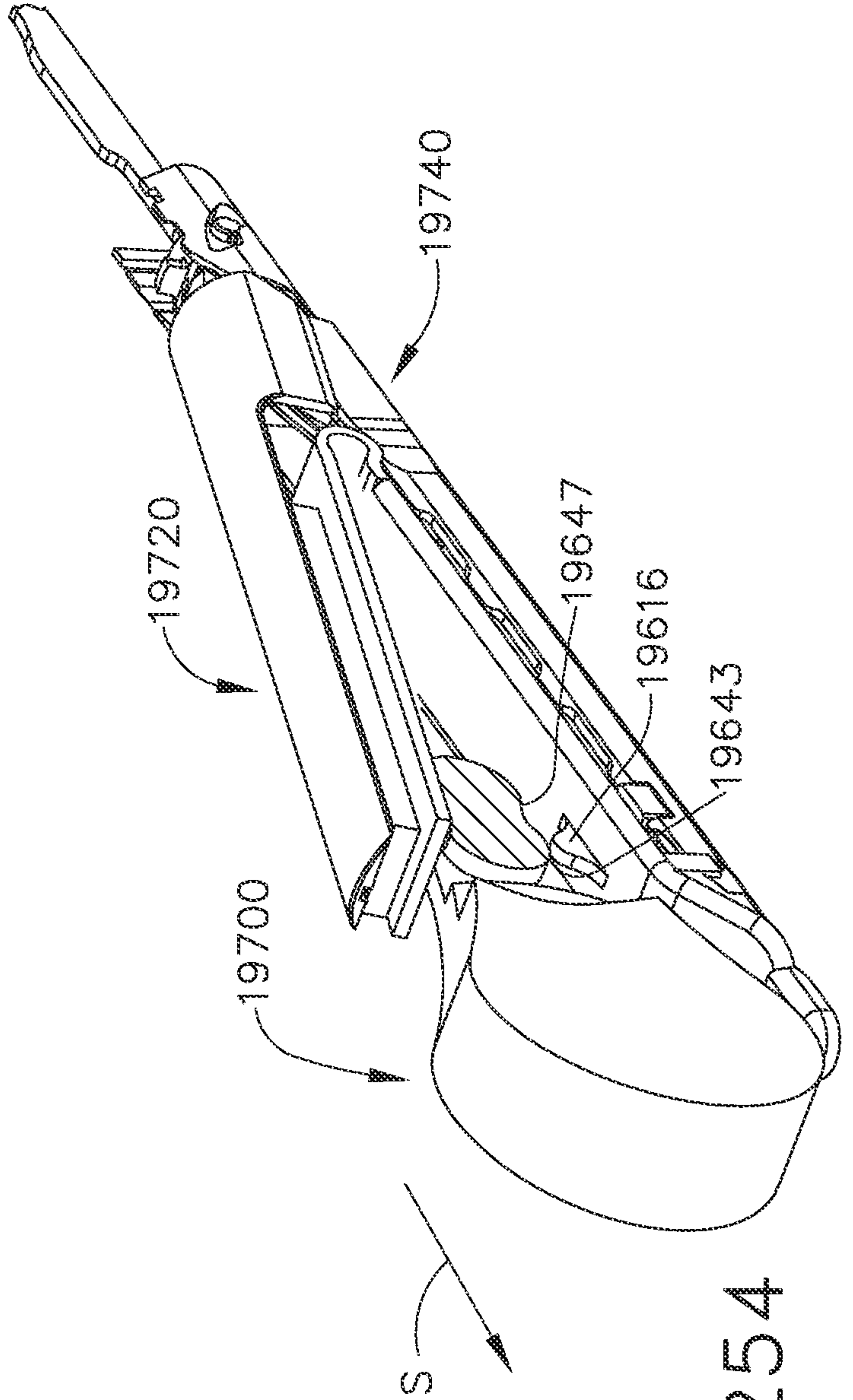


FIG. 254

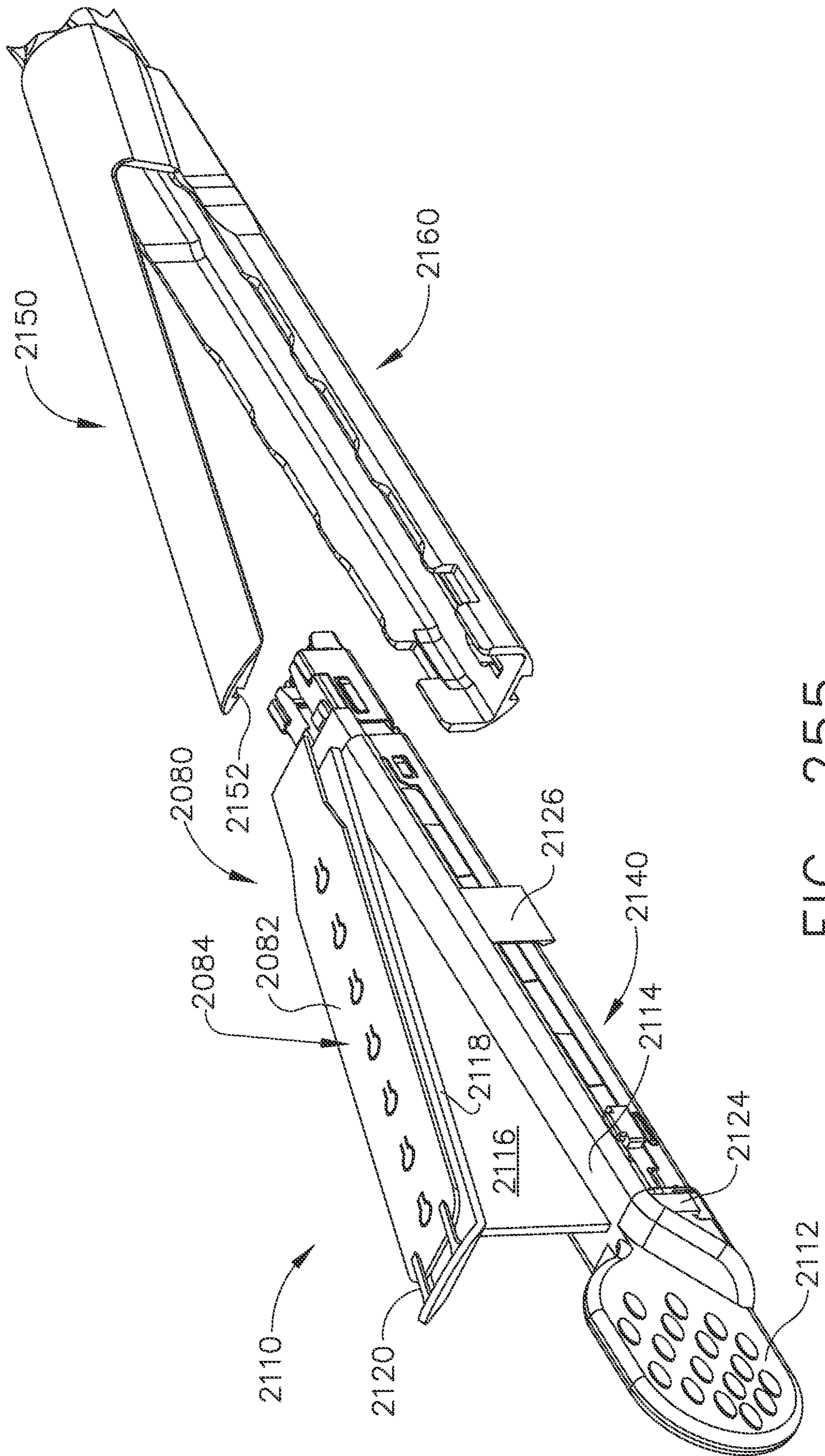


FIG. 255

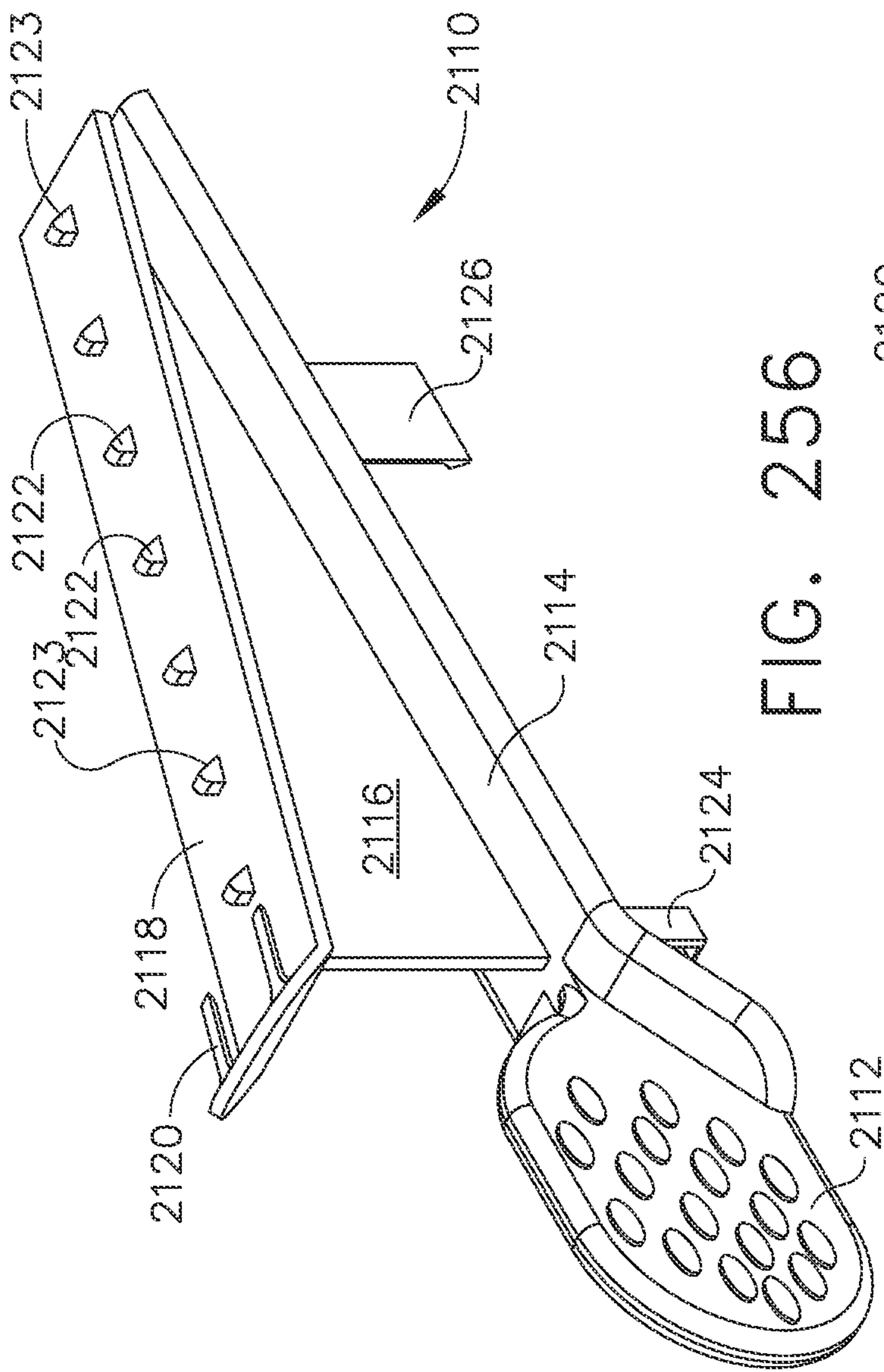


FIG. 256

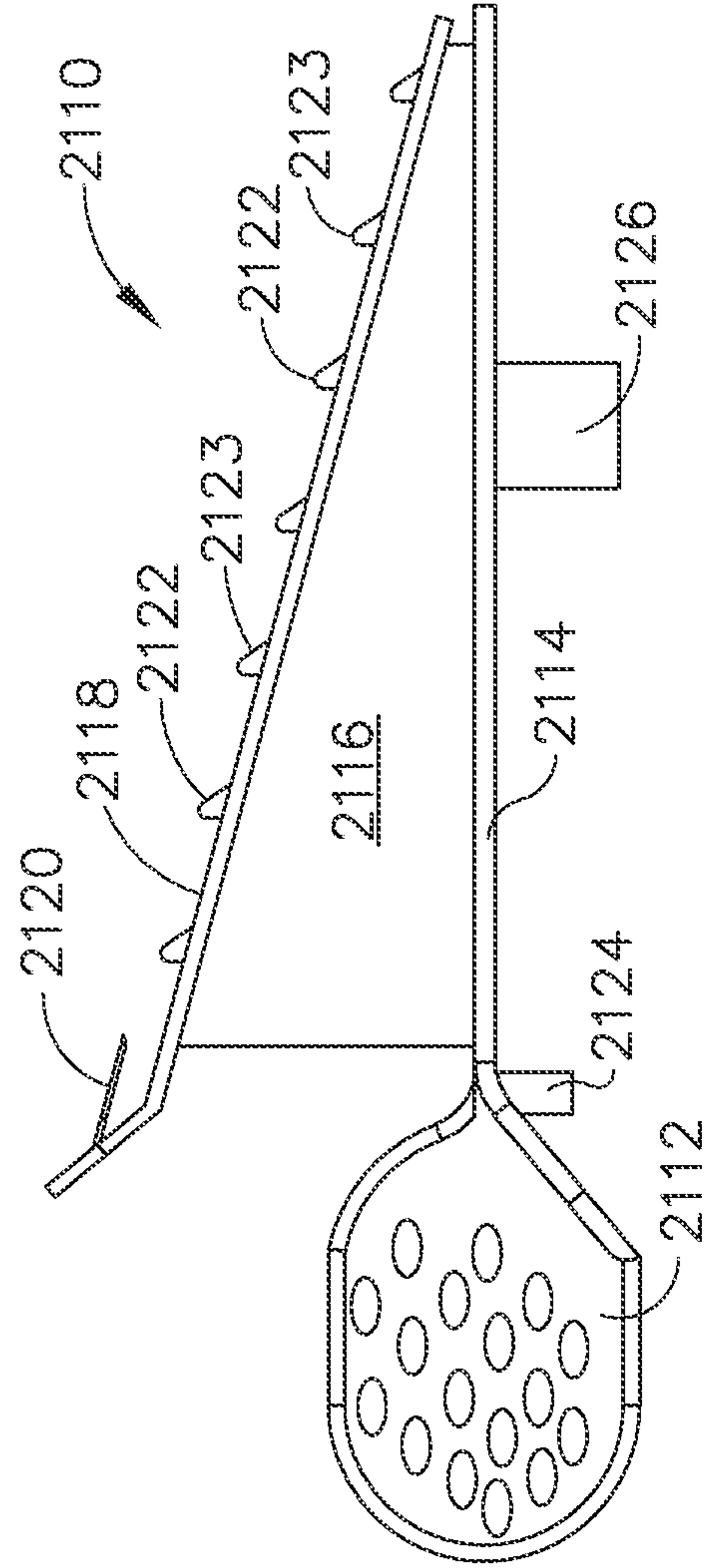


FIG. 257

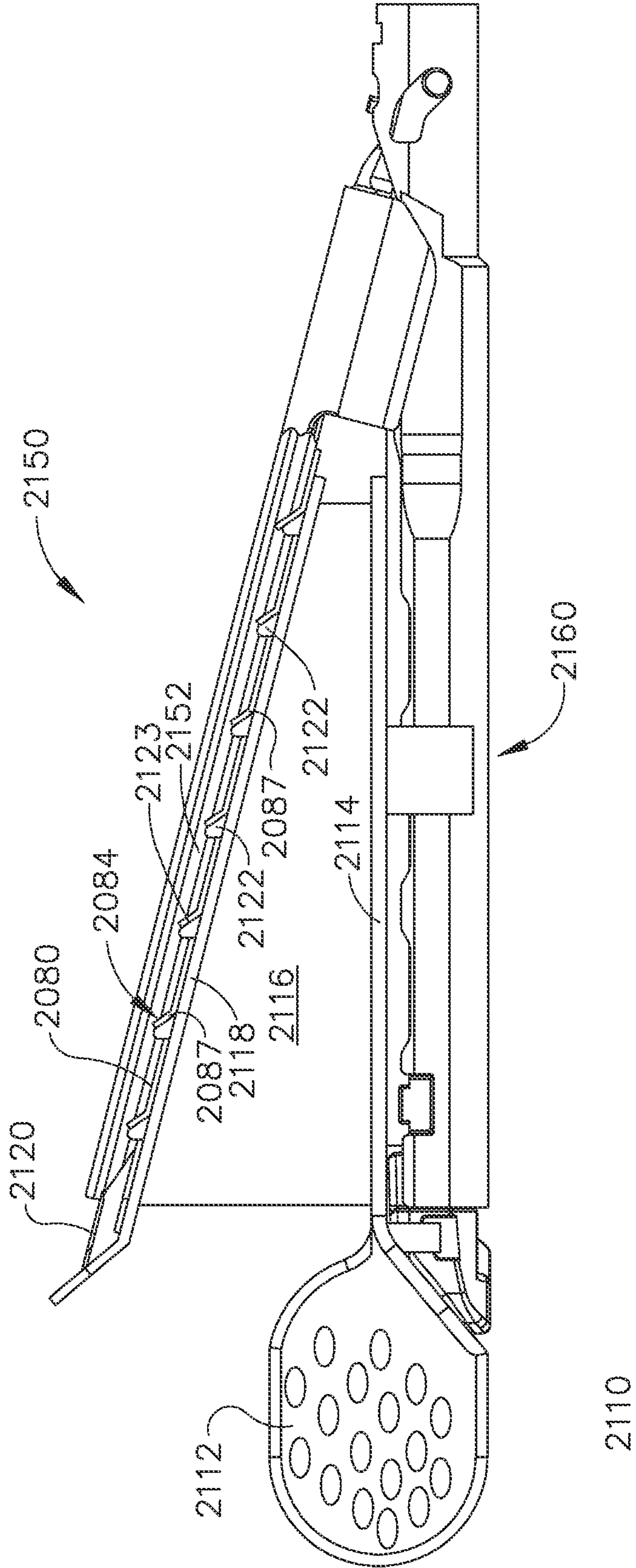


FIG. 258

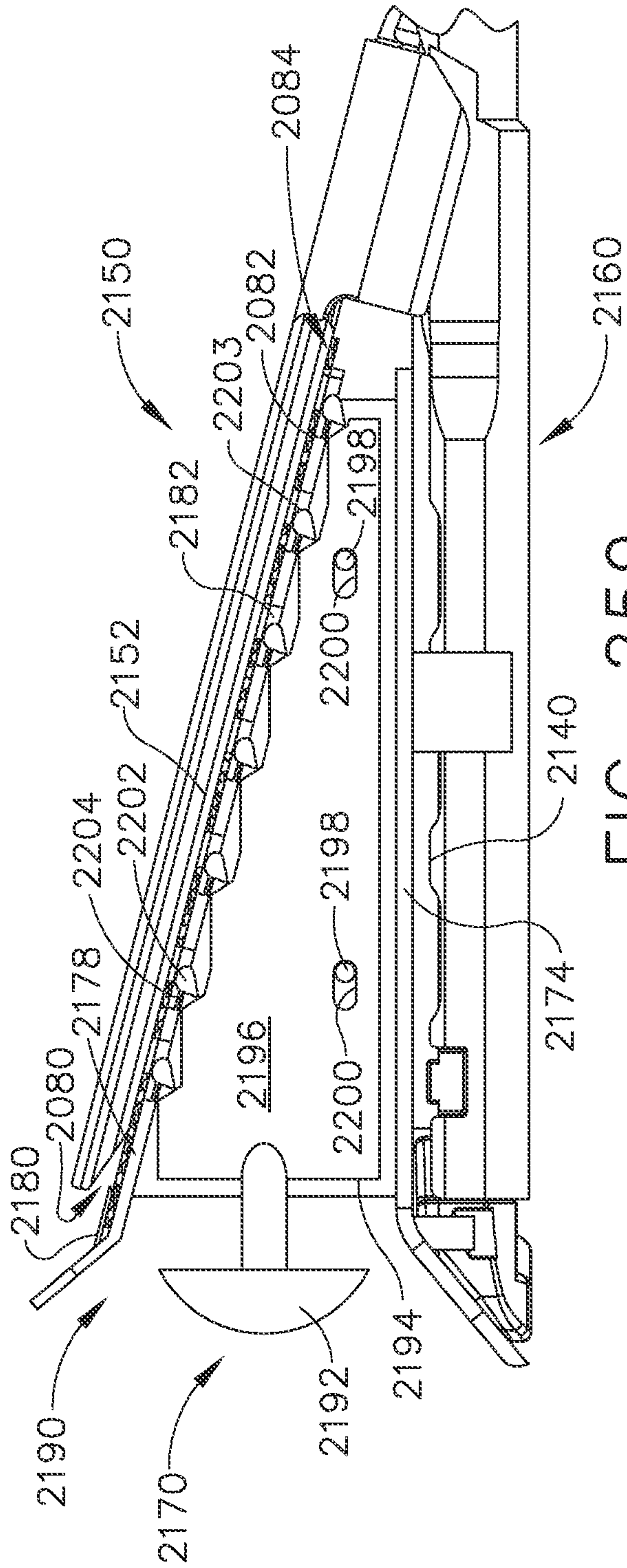


FIG. 259

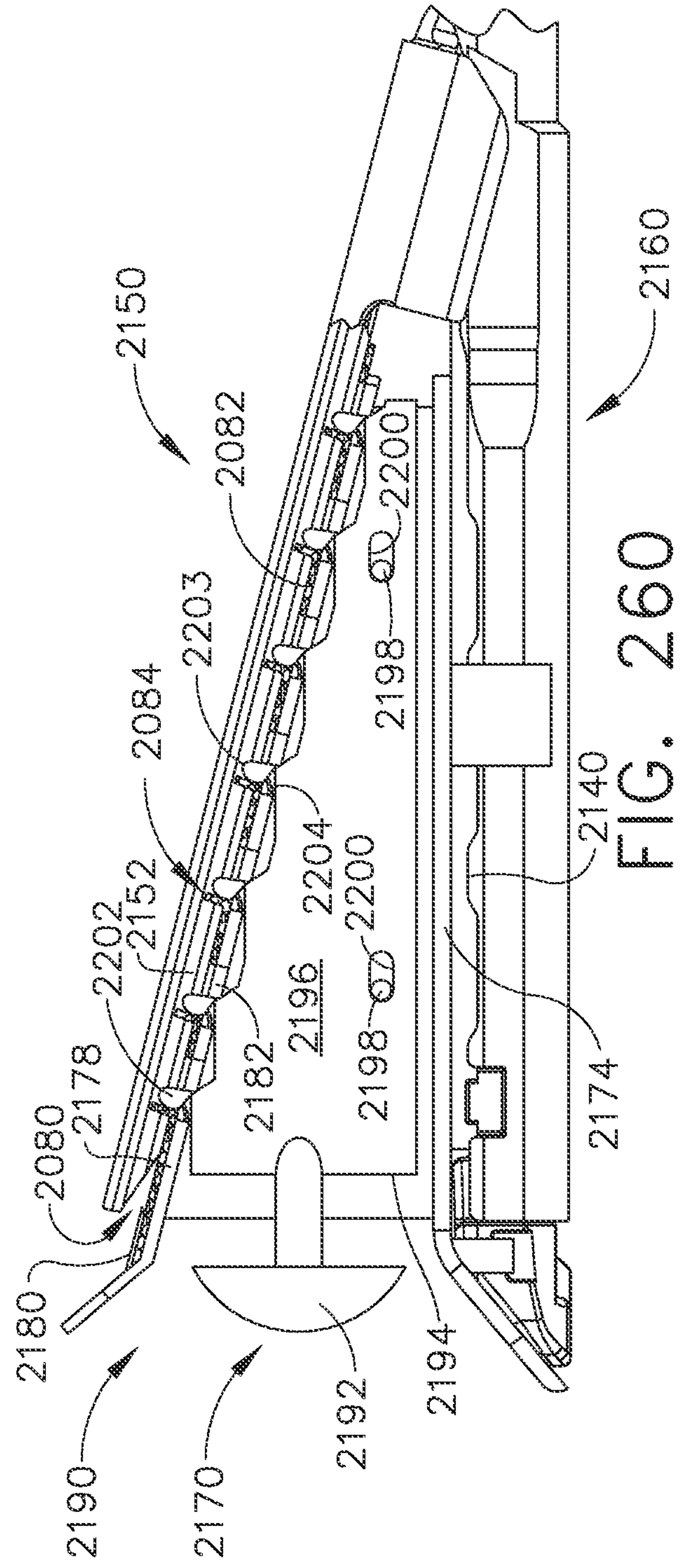


FIG. 260

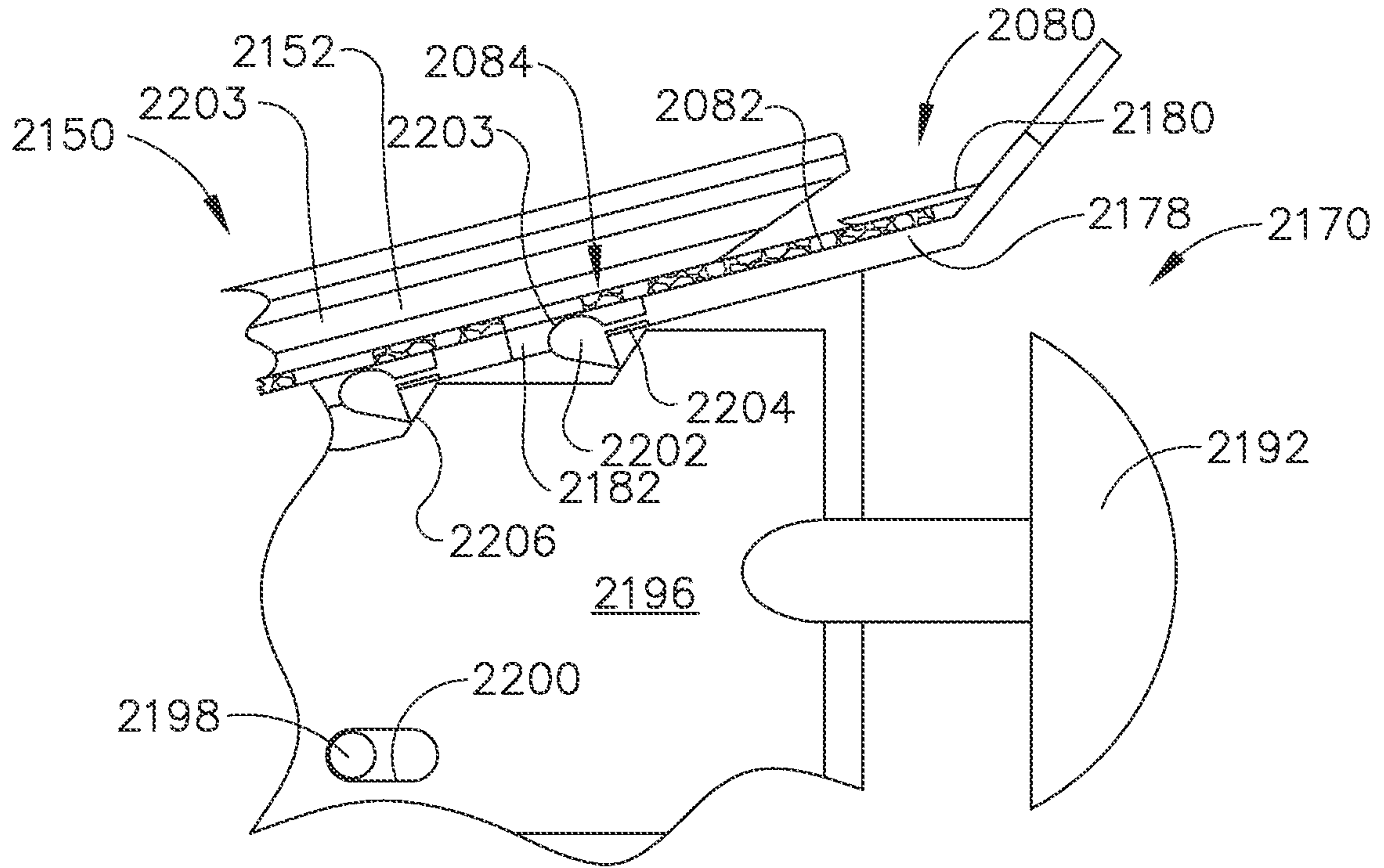


FIG. 261

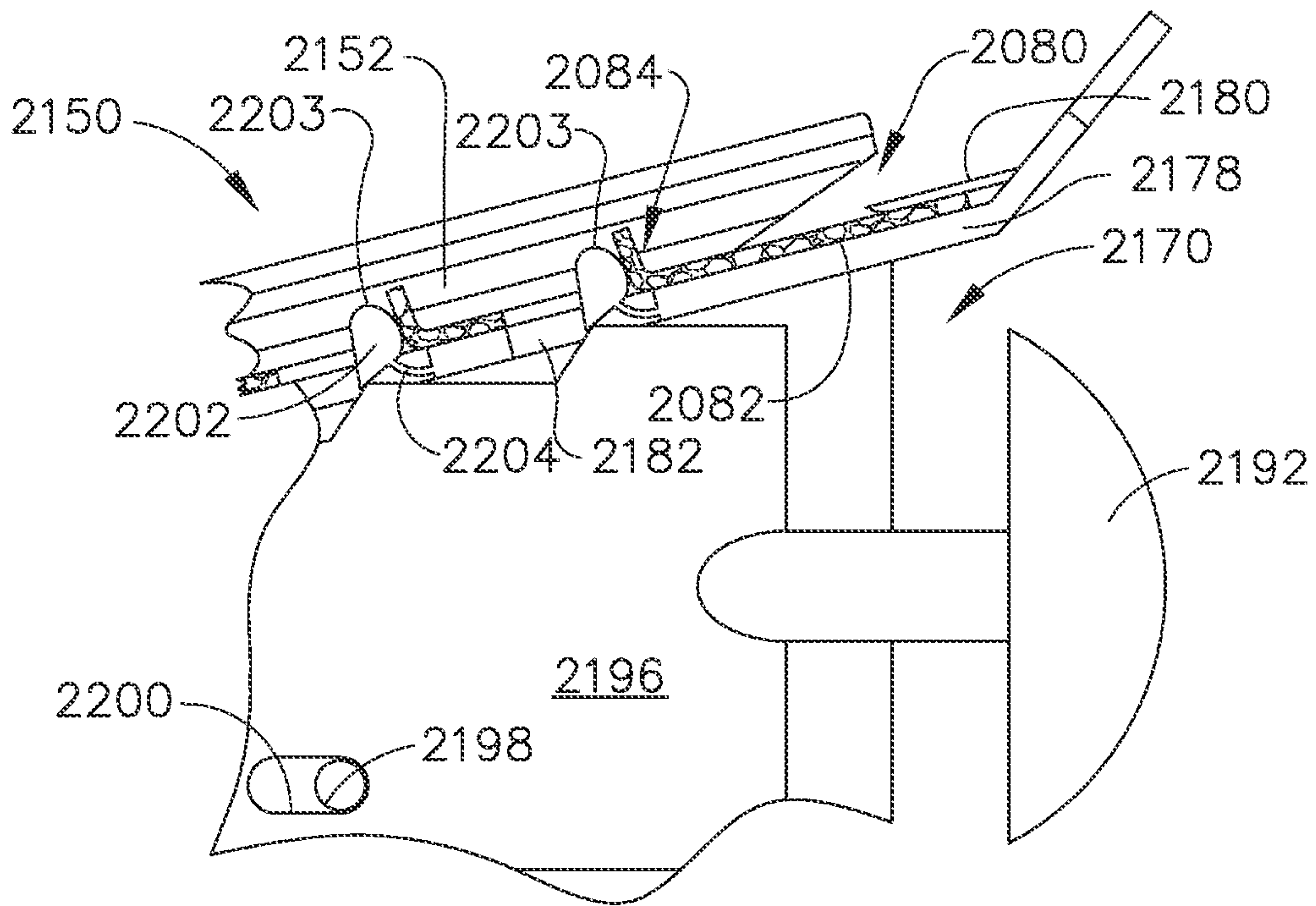


FIG. 262

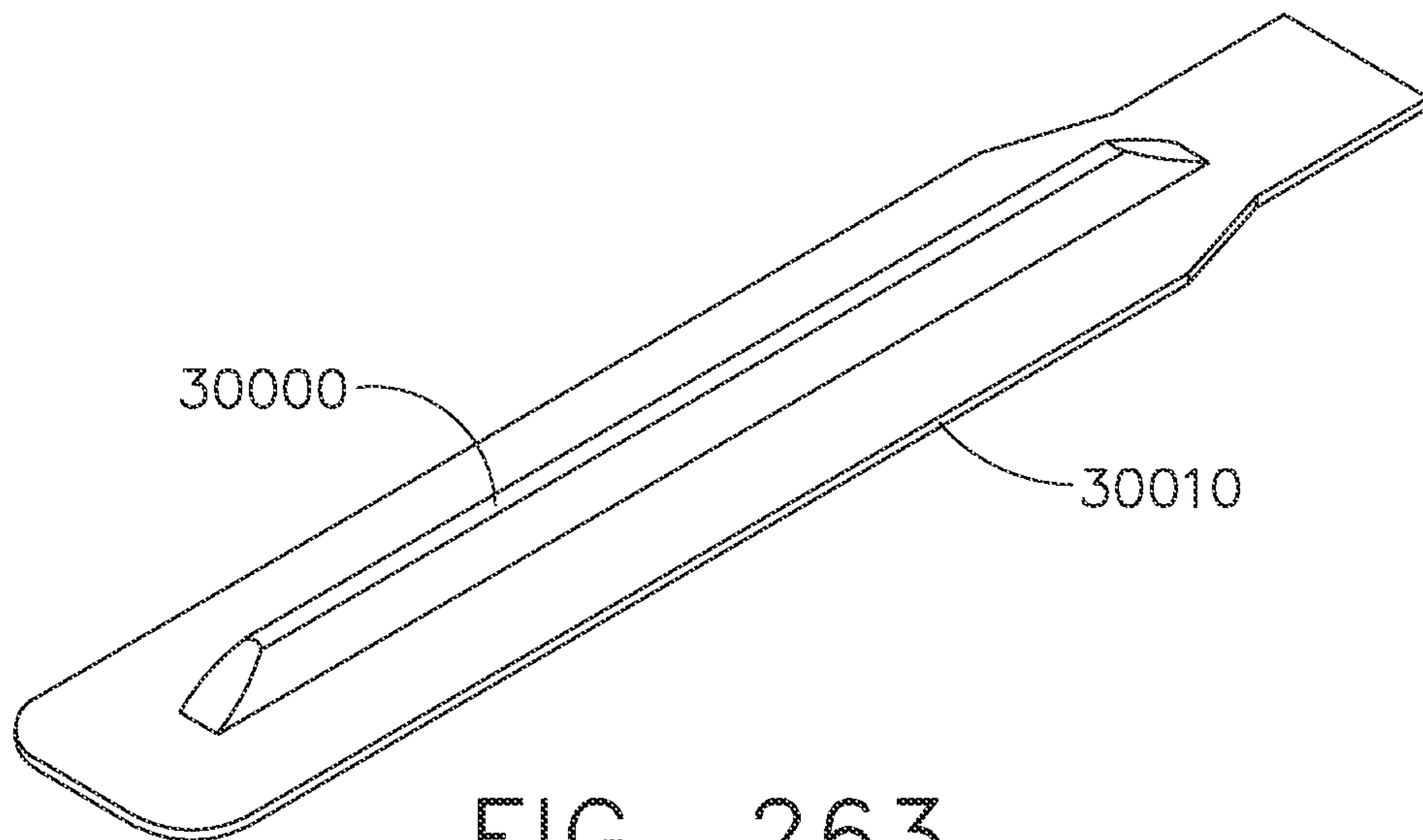


FIG. 263

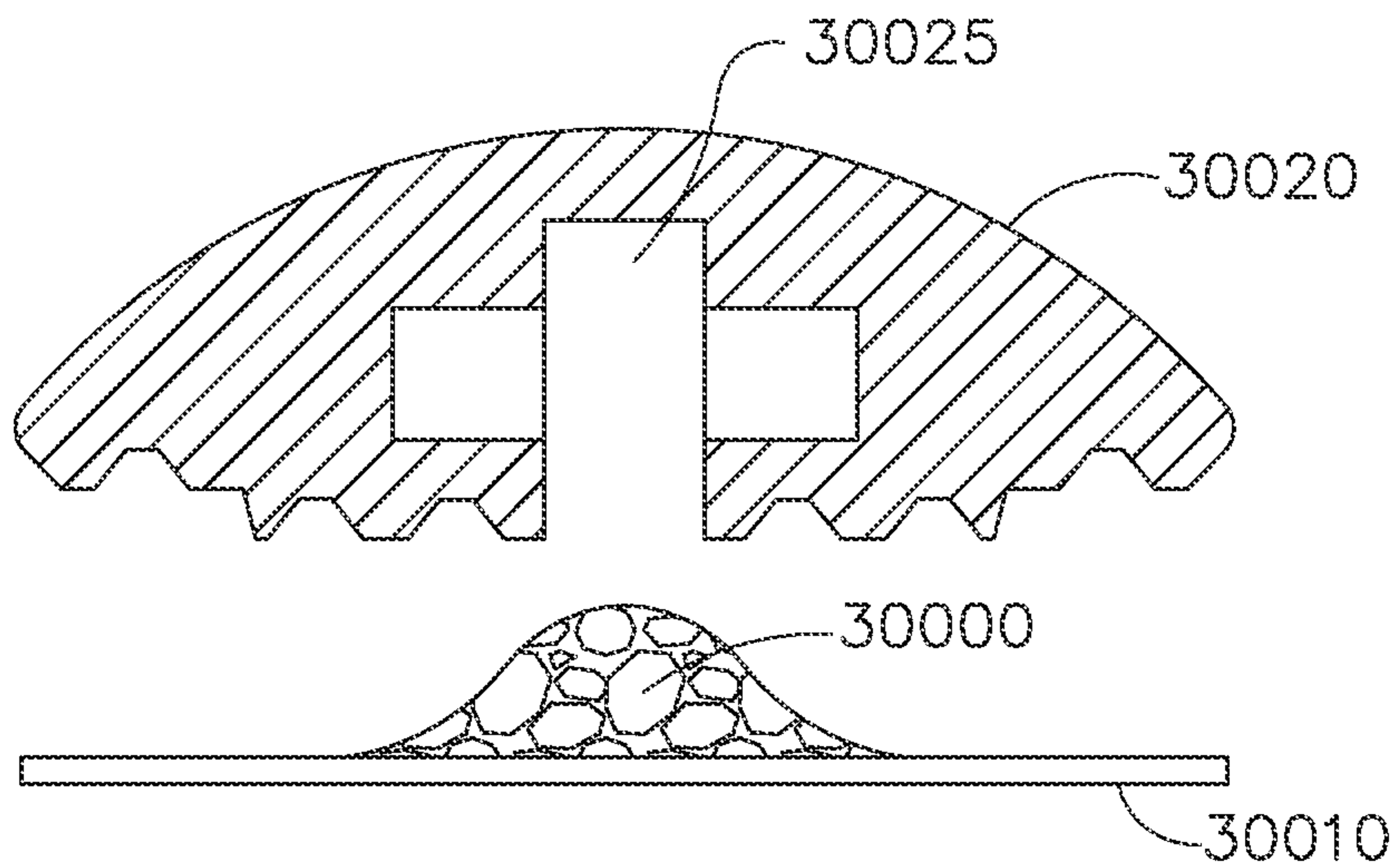


FIG. 264

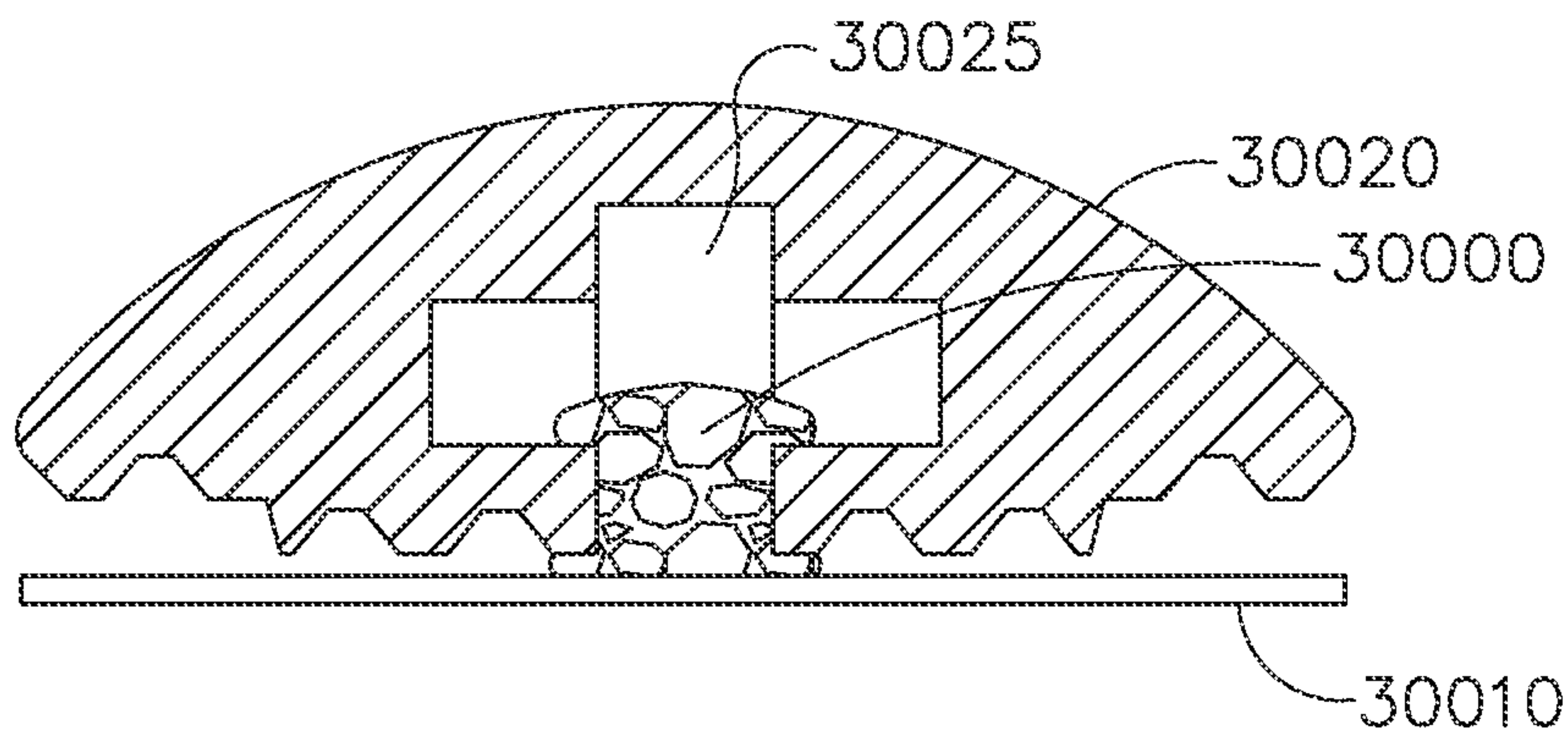


FIG. 265

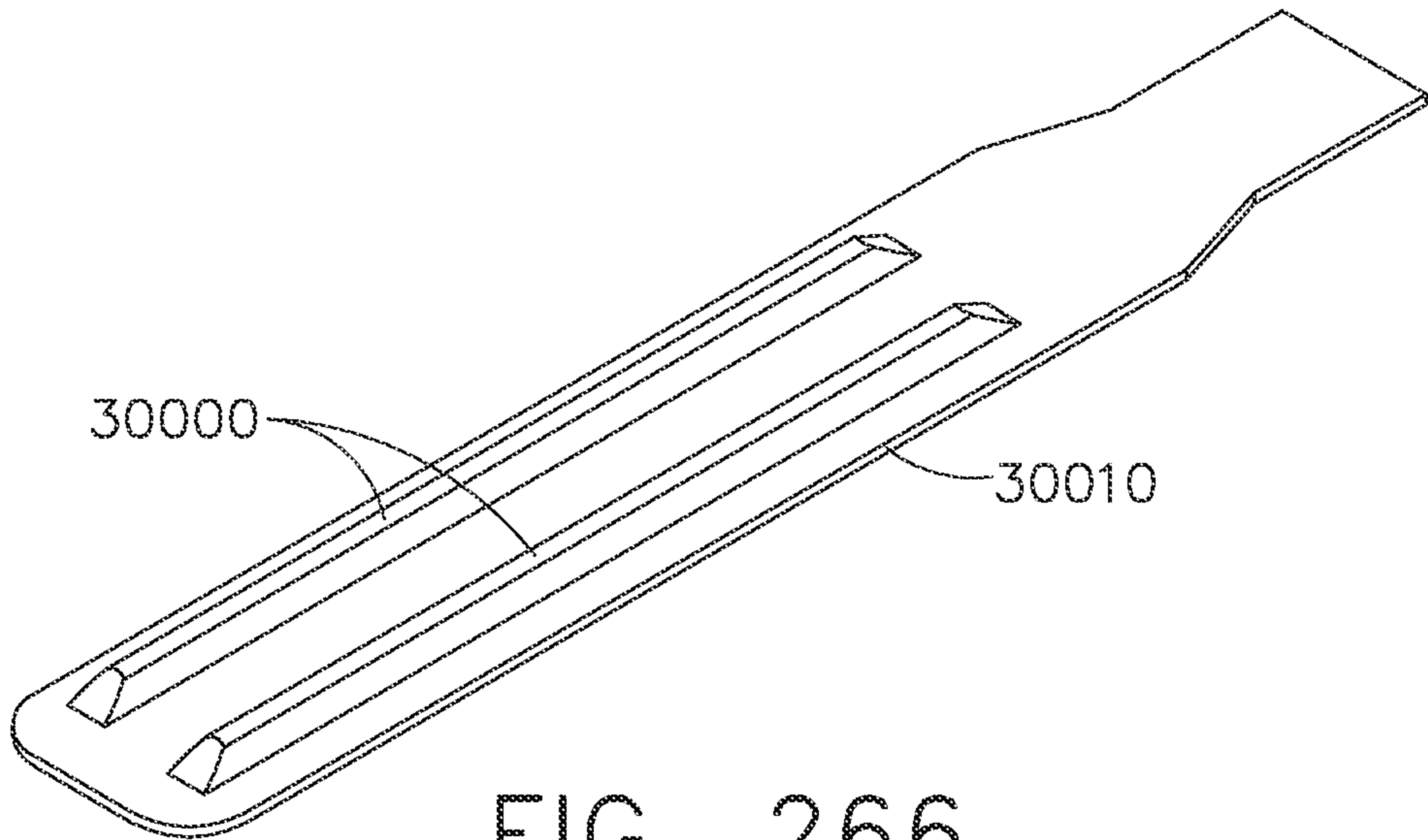


FIG. 266

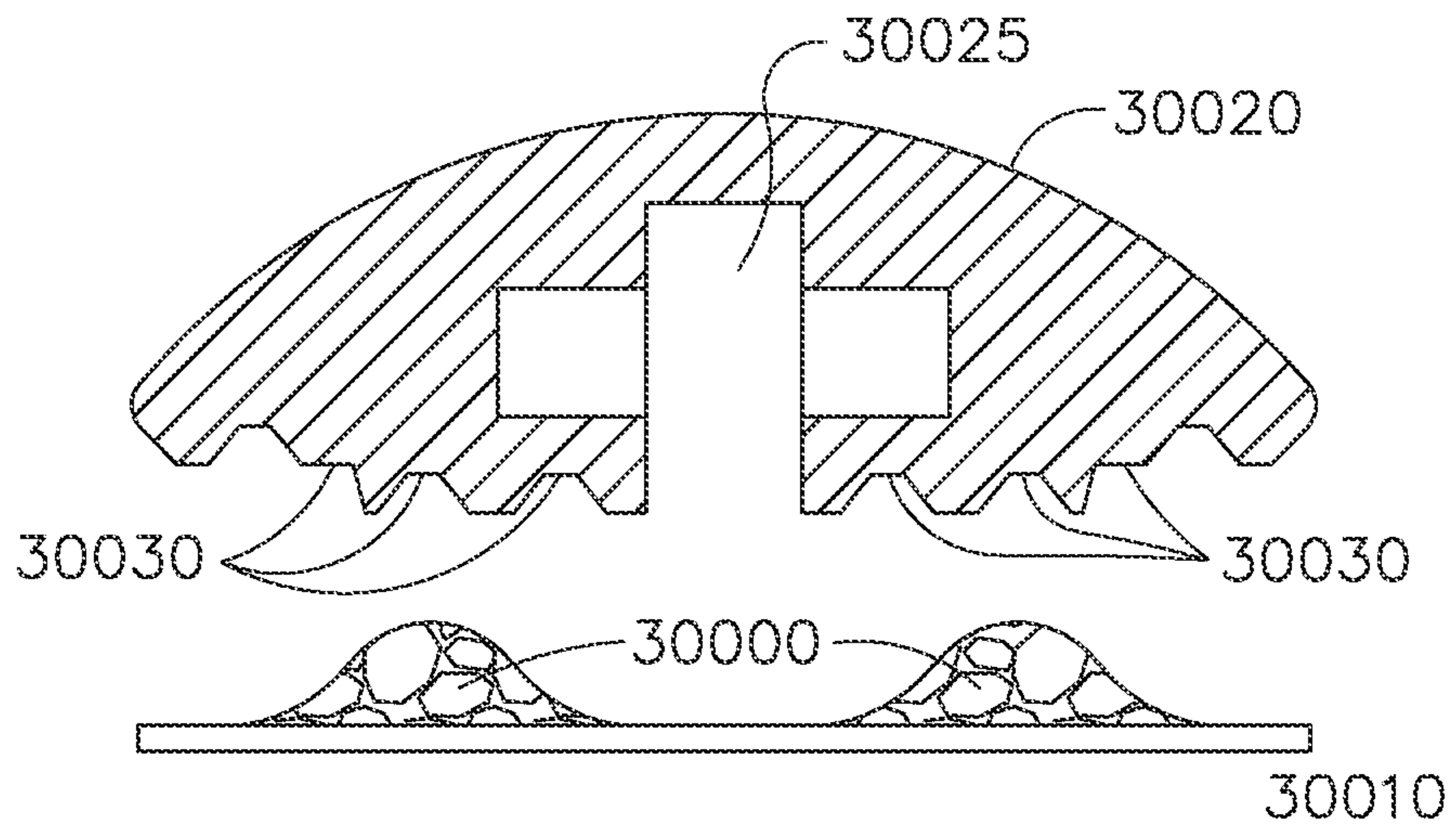


FIG. 267

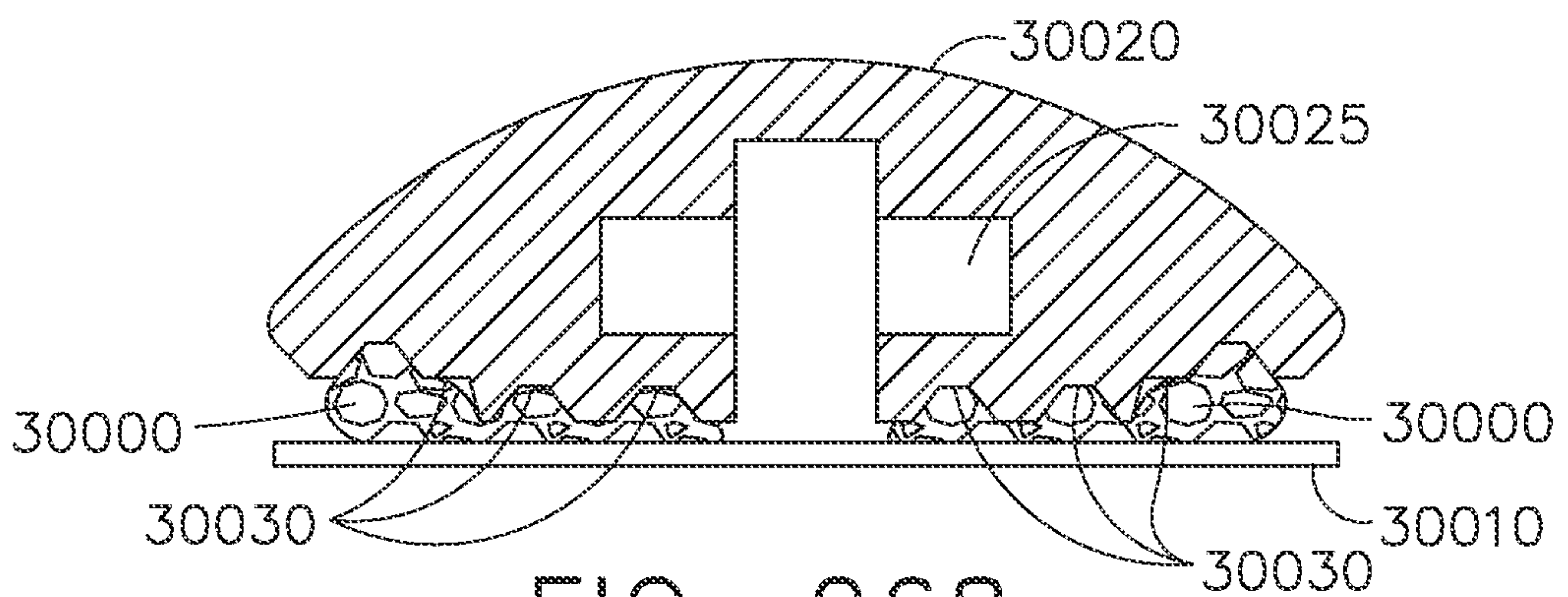


FIG. 268



160/177

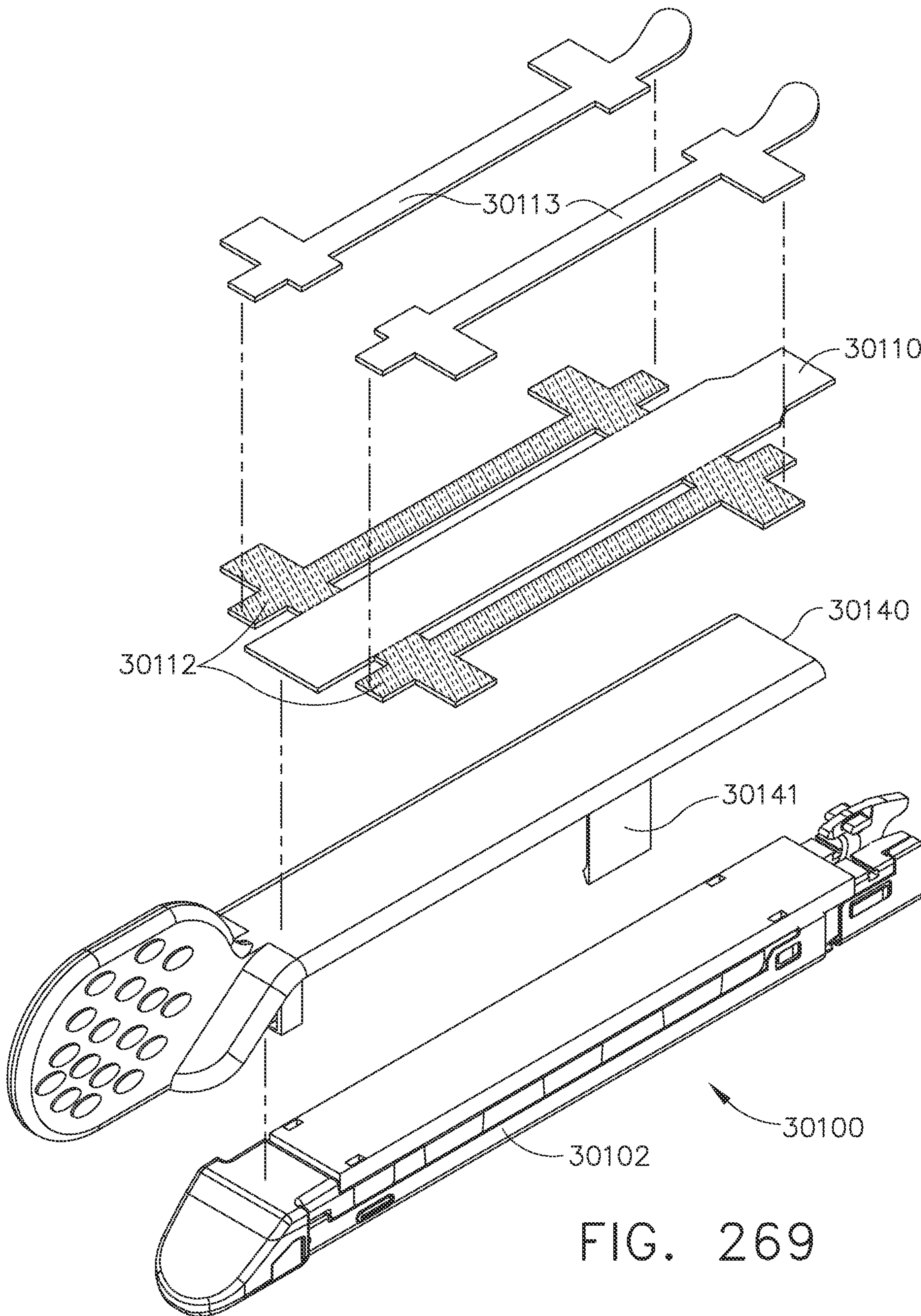


FIG. 269

161/177

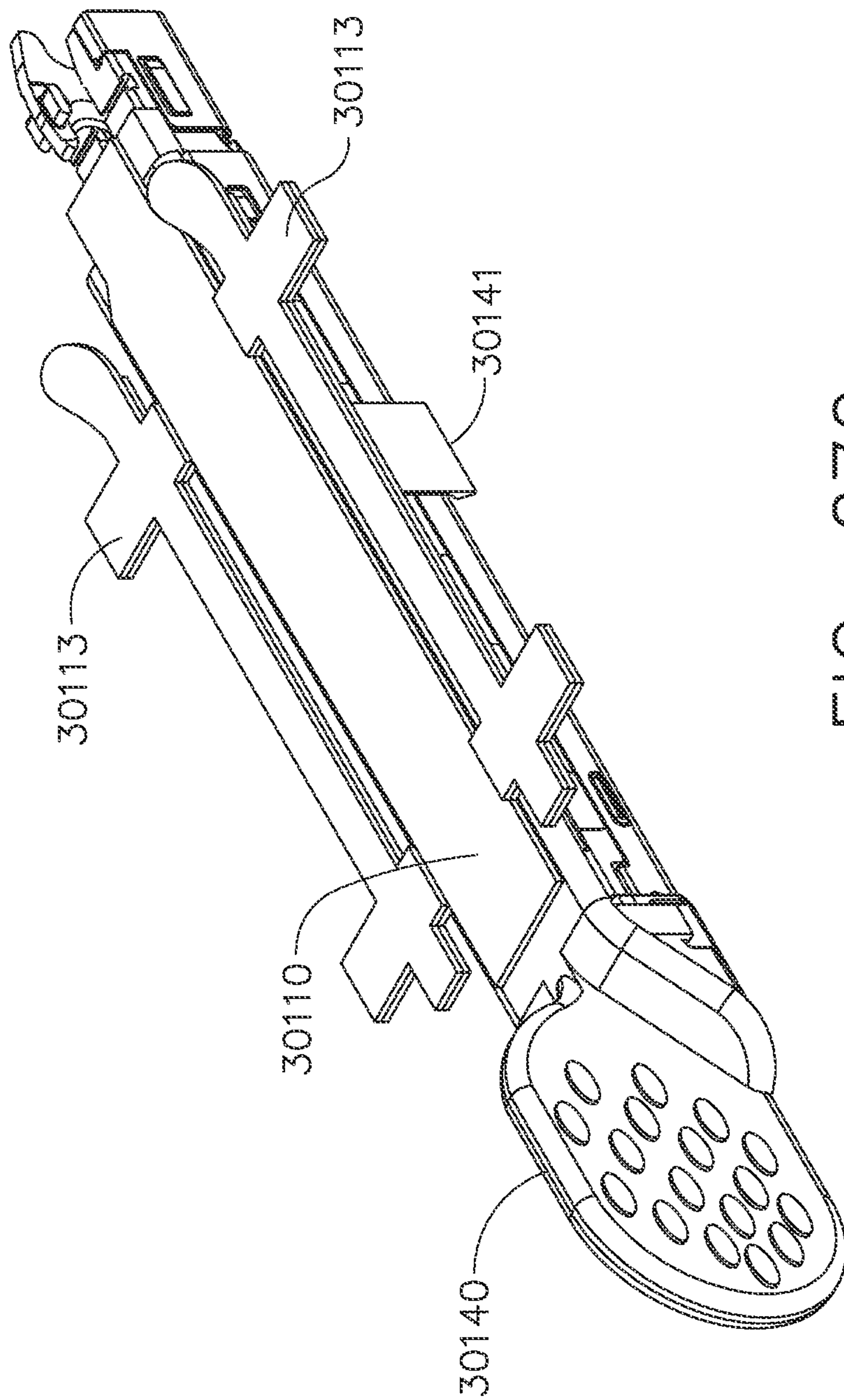


FIG. 270

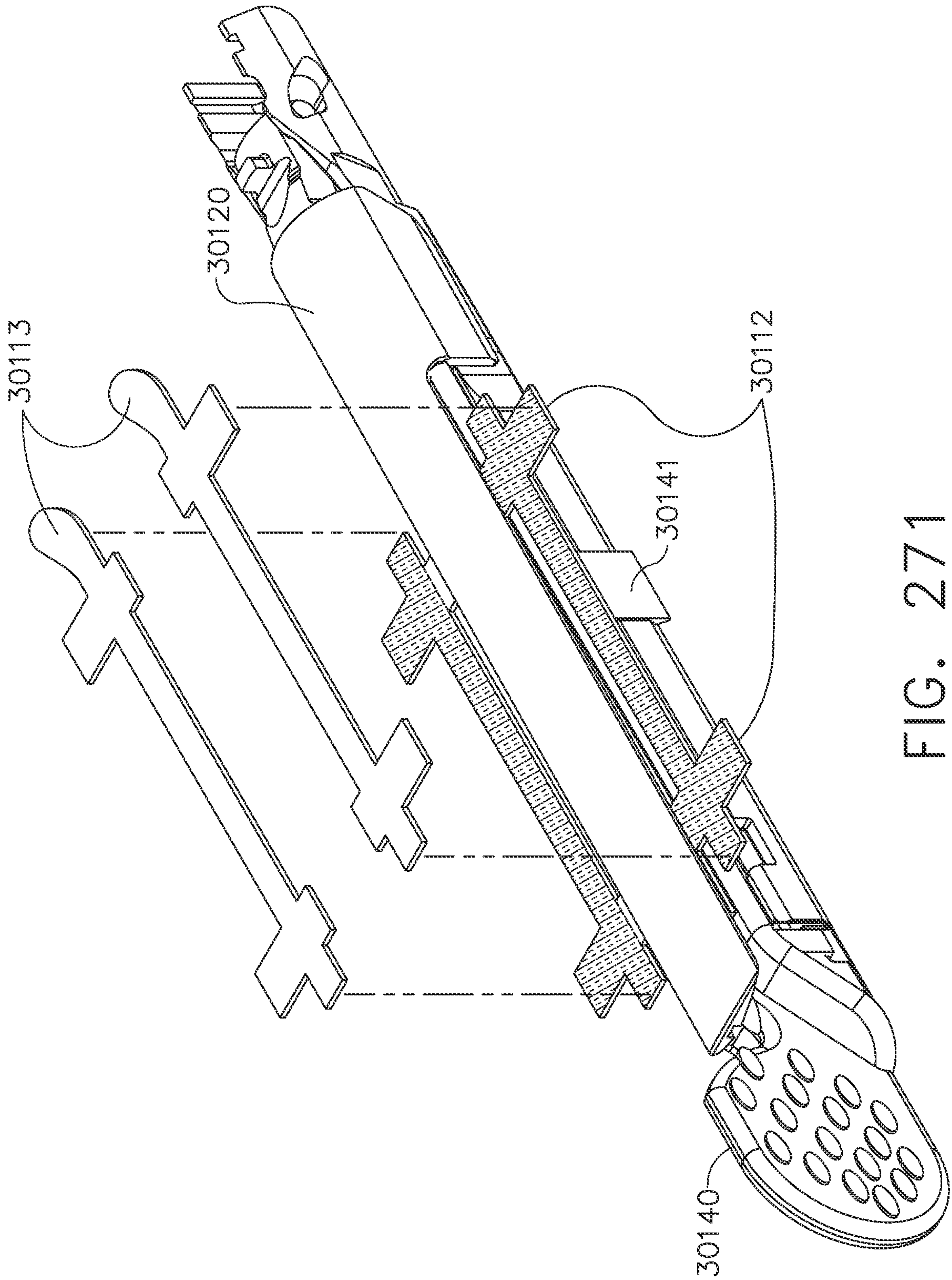


FIG. 271

FIG. 272

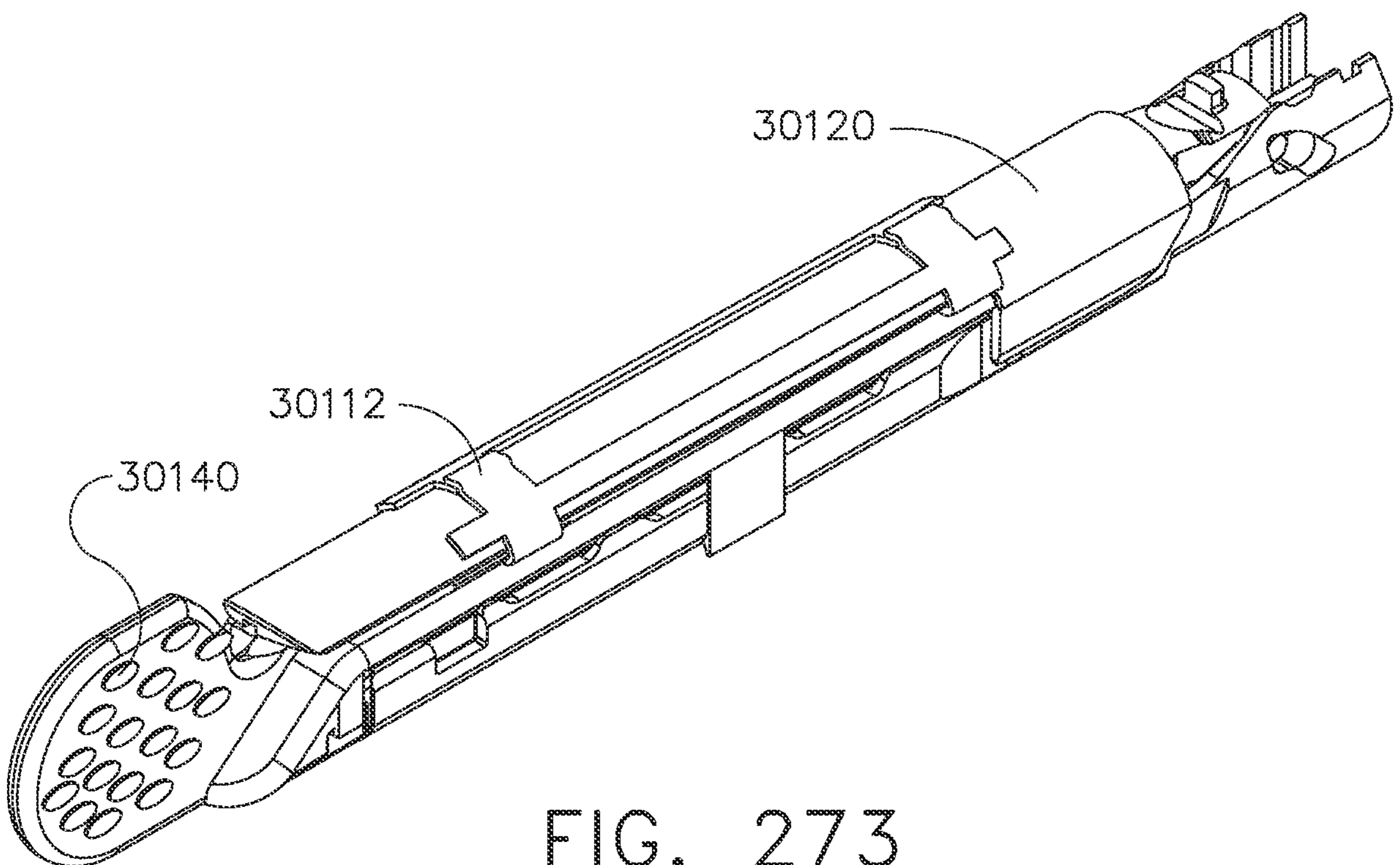
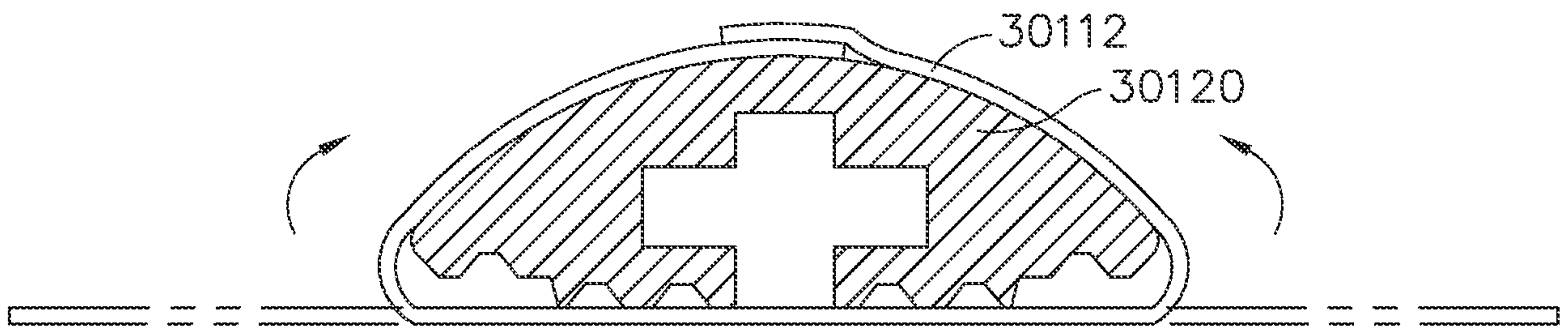


FIG. 273

164/177

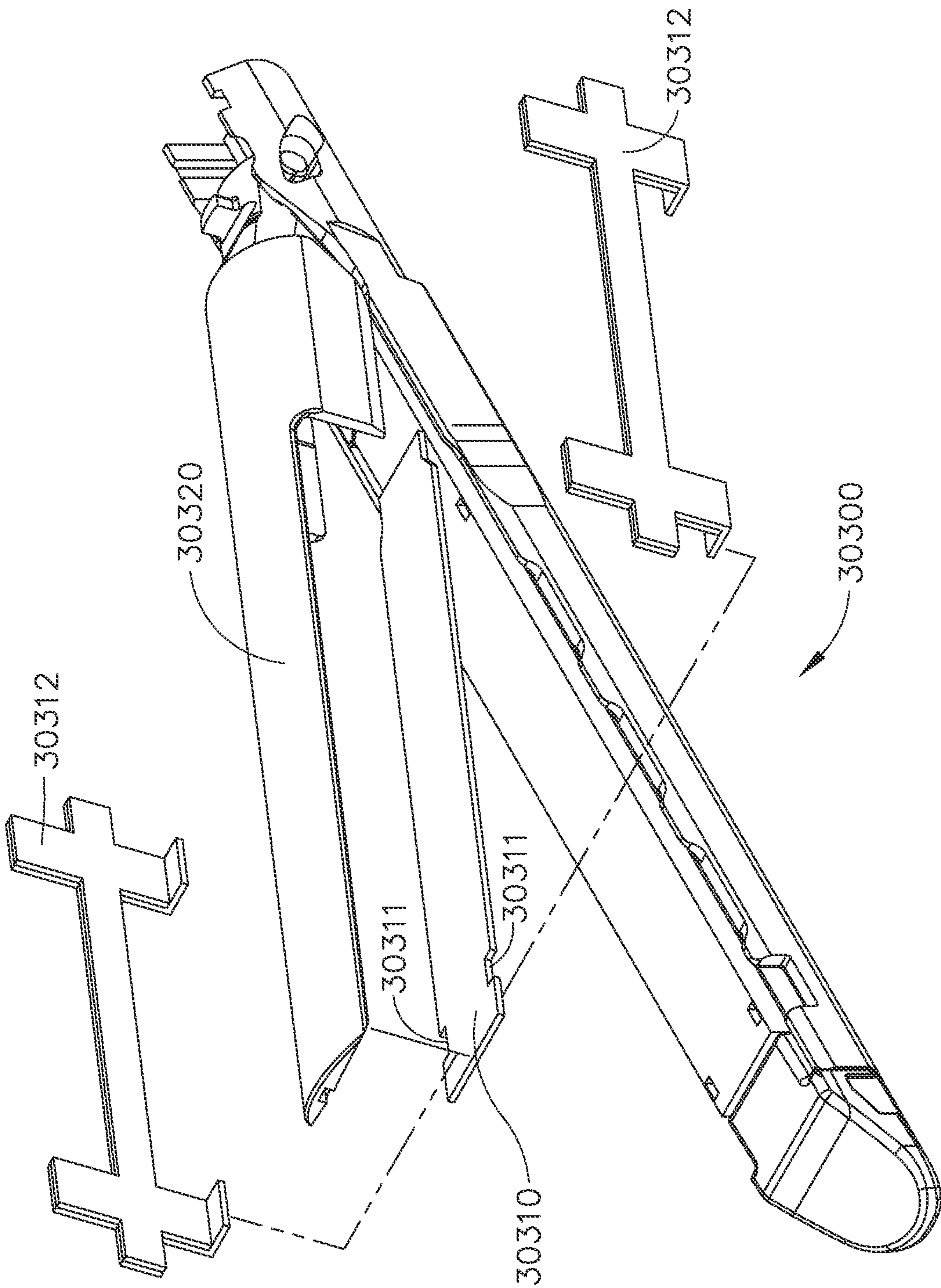


FIG. 274

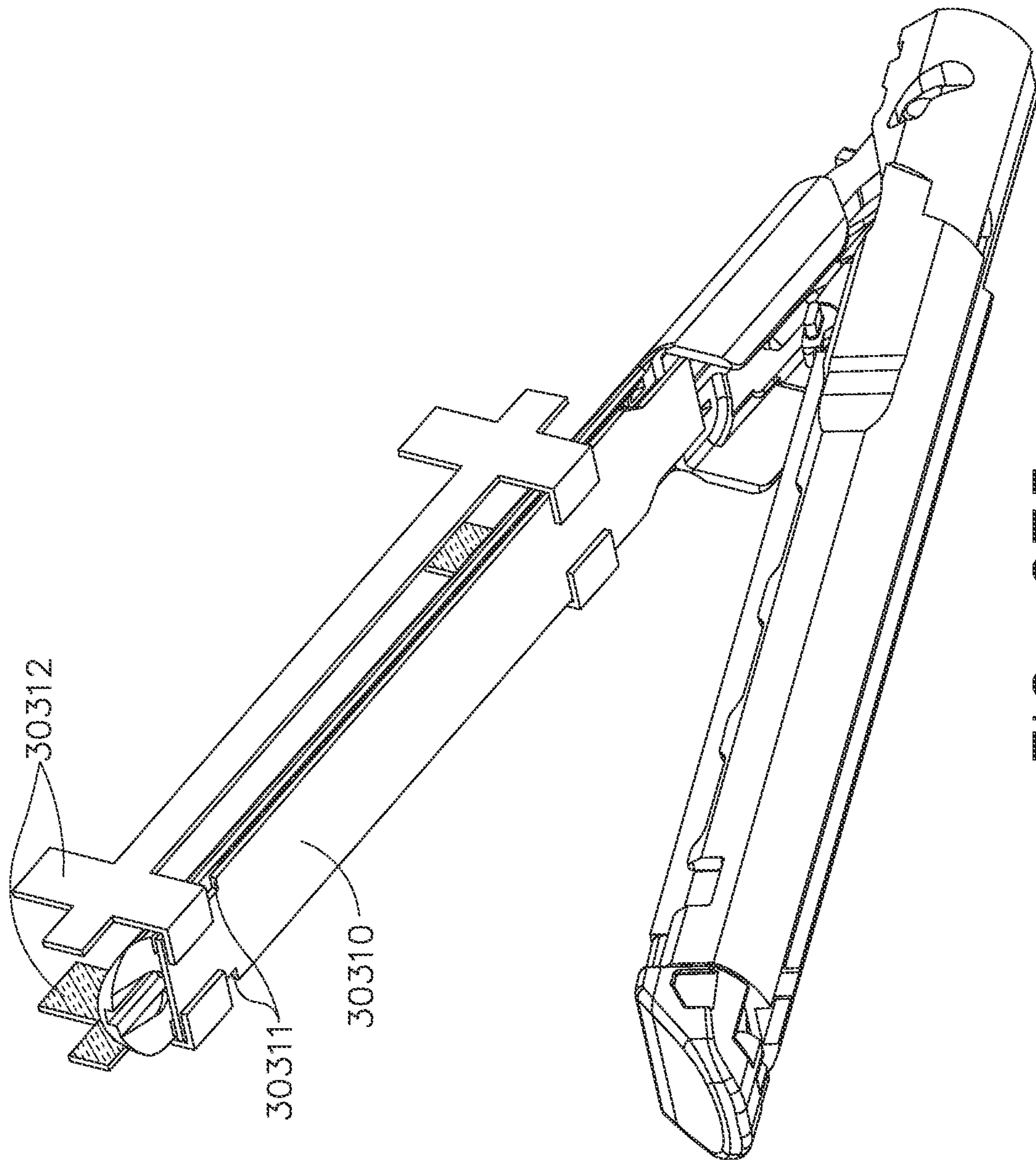


FIG. 275

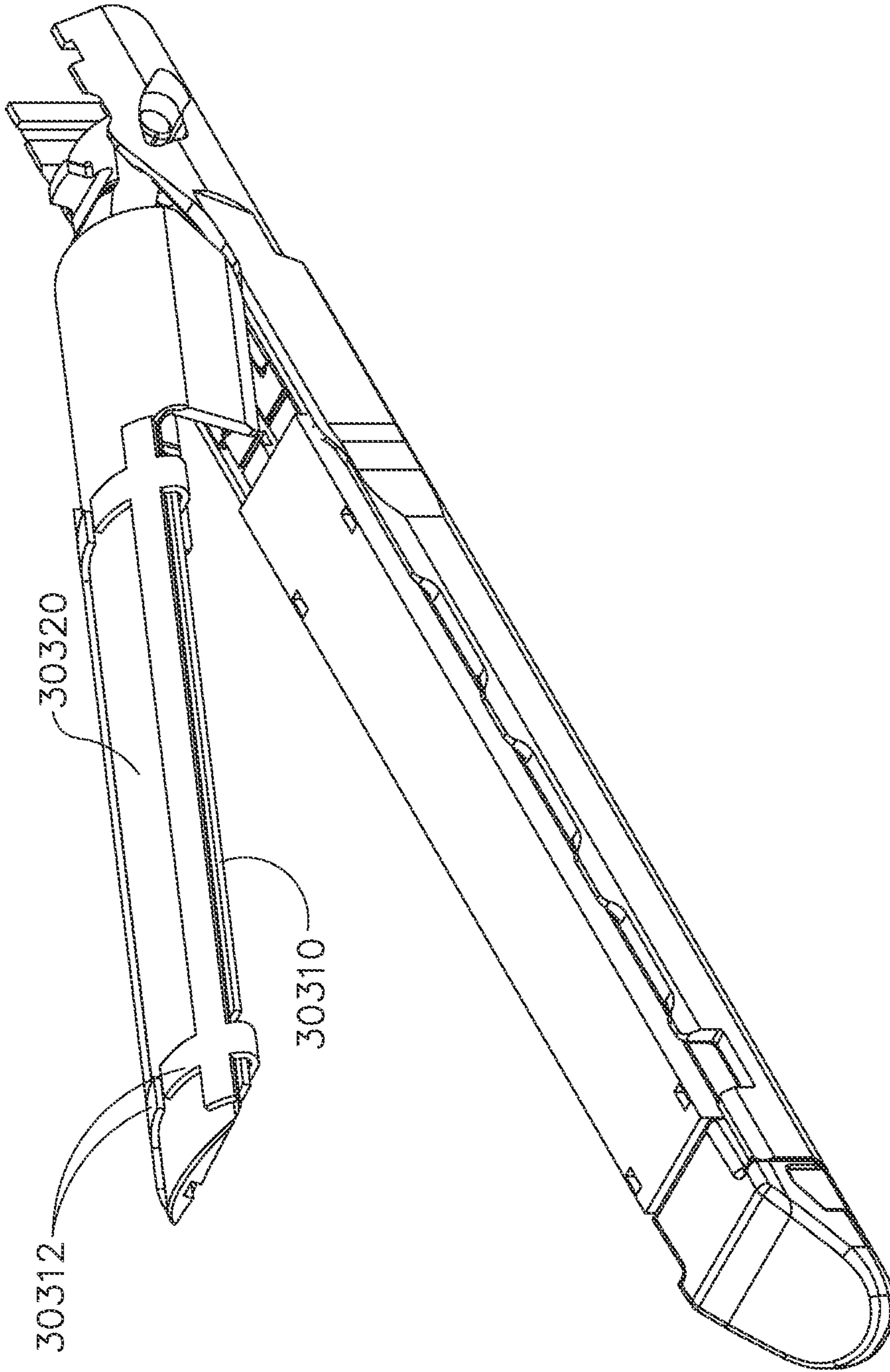


FIG. 276

167/177

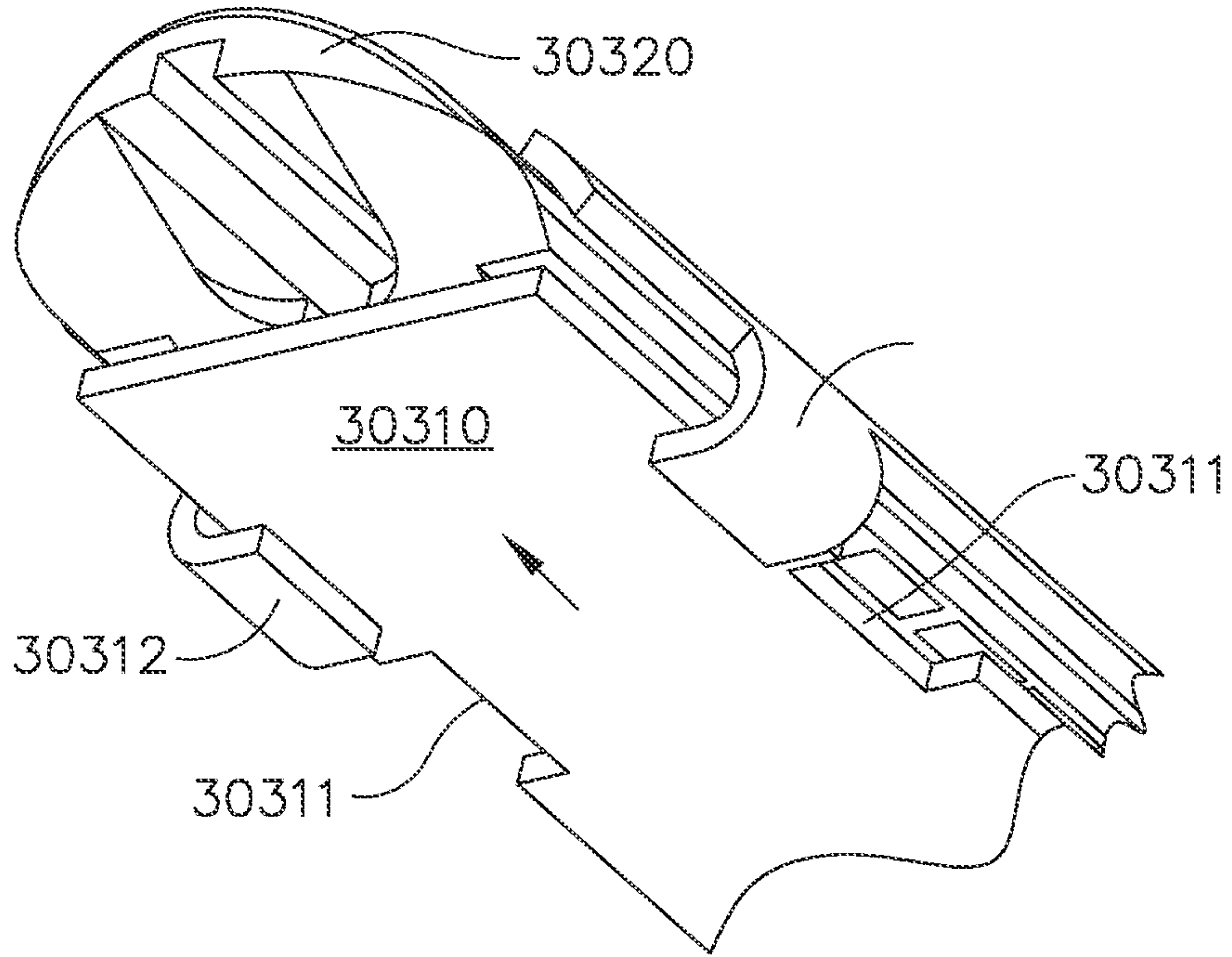


FIG. 277

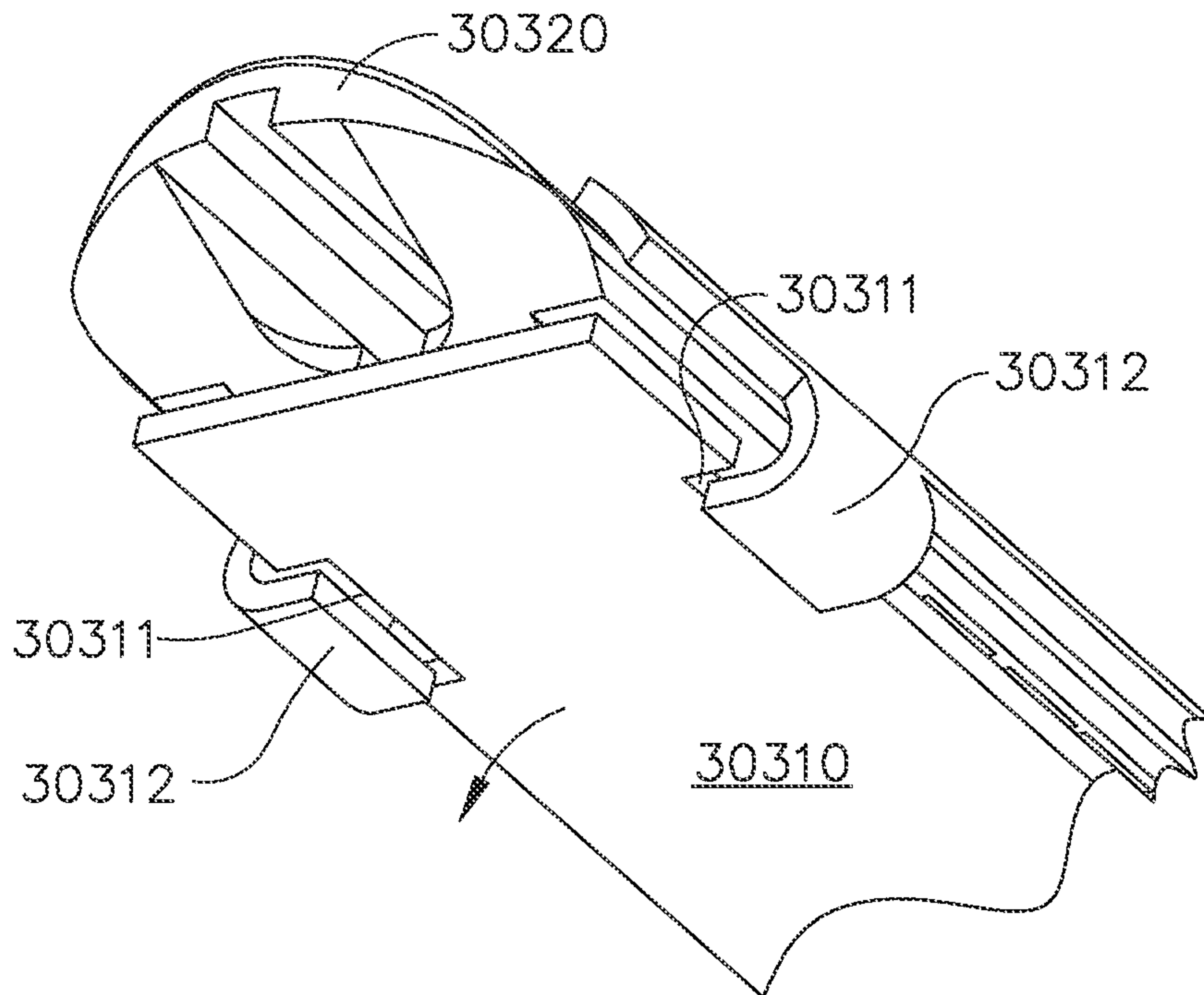


FIG. 278



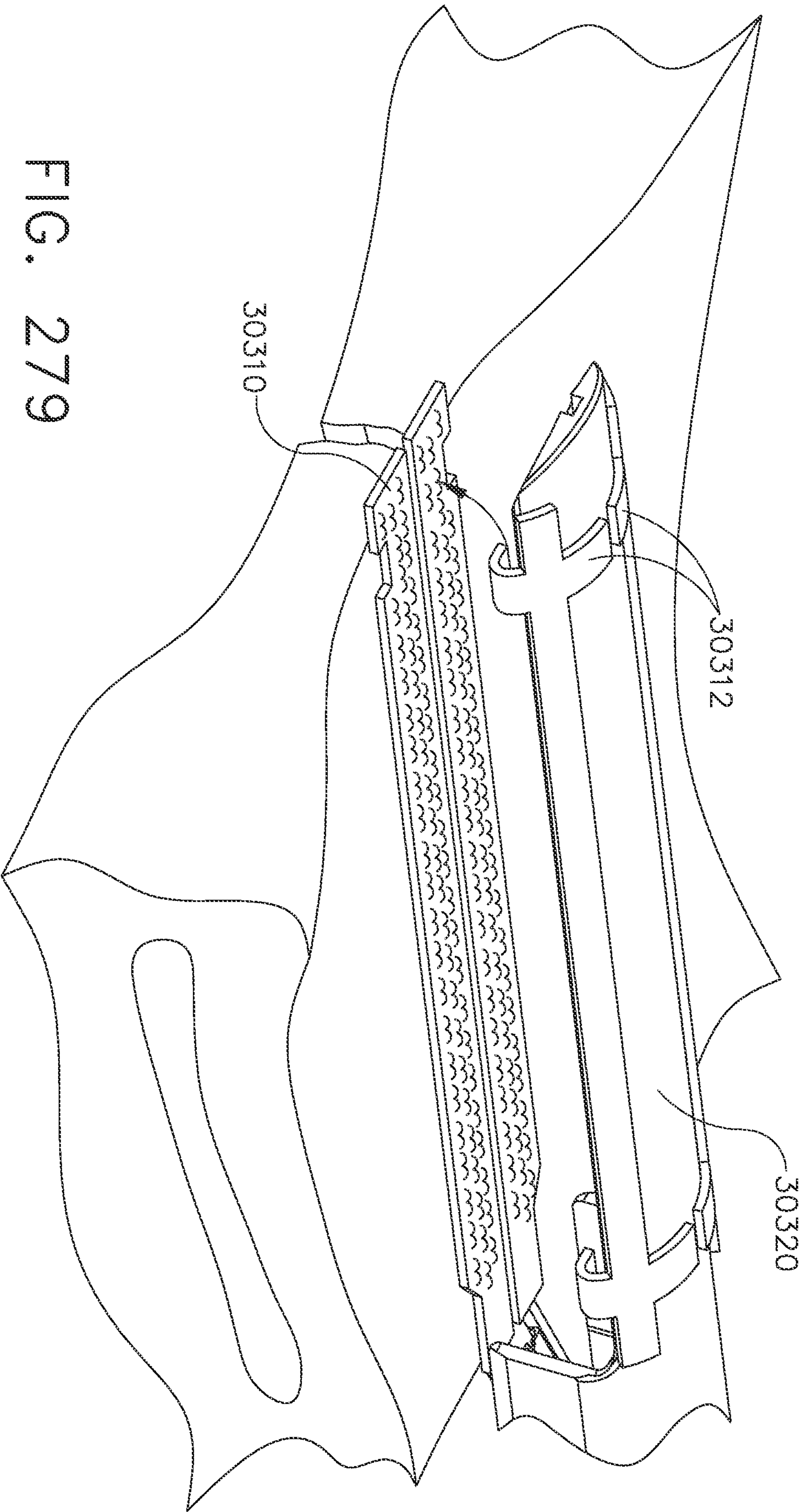


FIG. 279

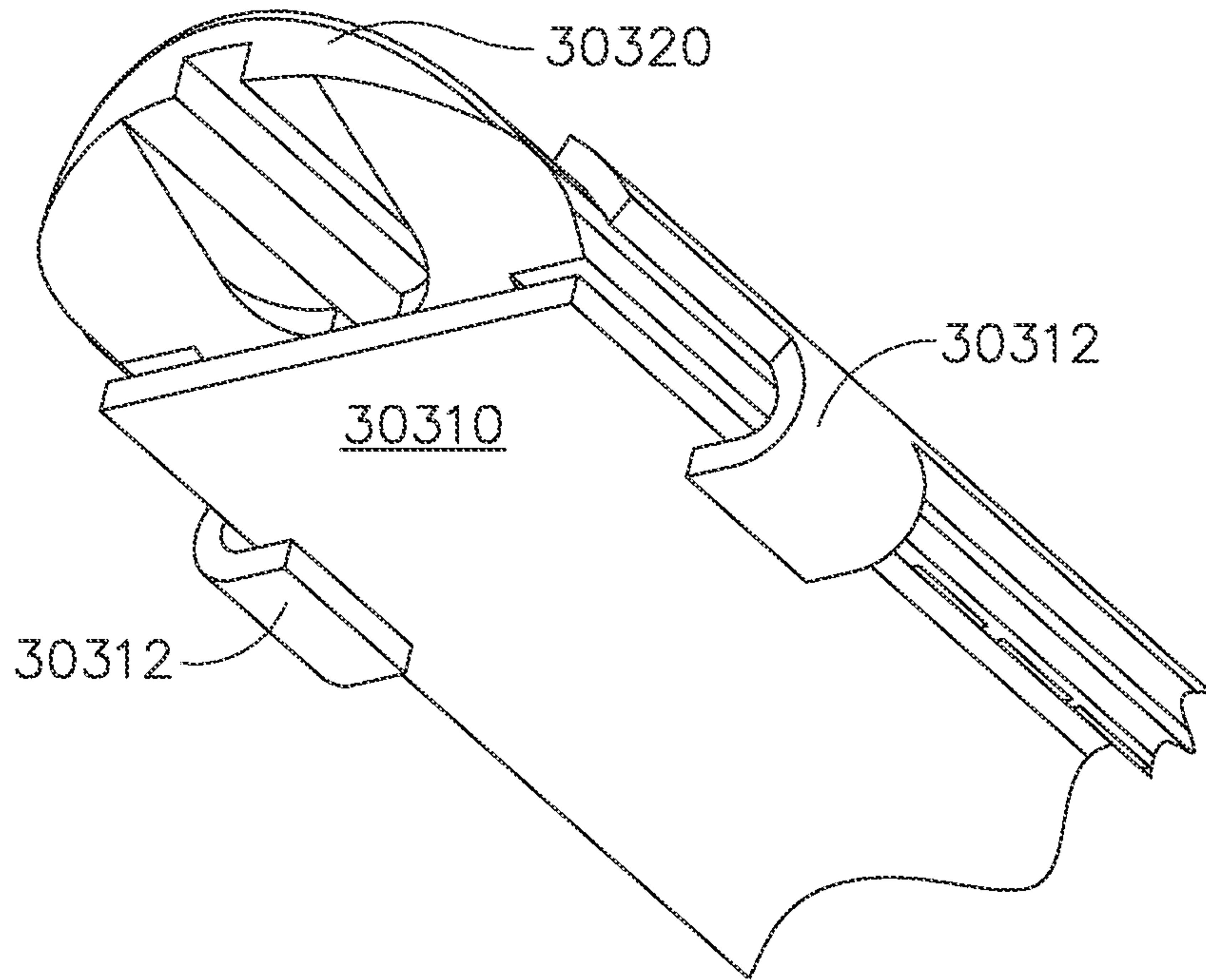


FIG. 280

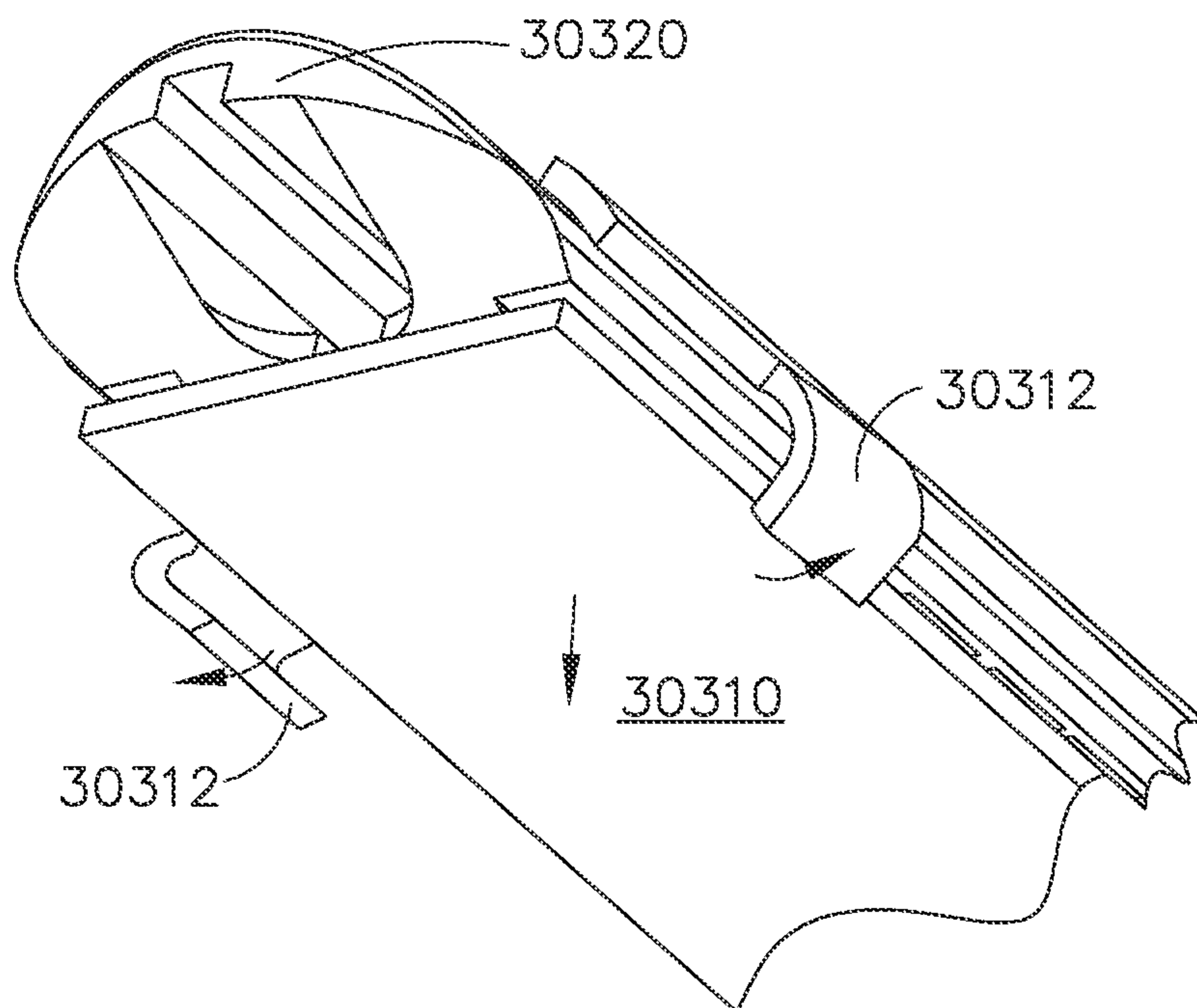


FIG. 281

170/177

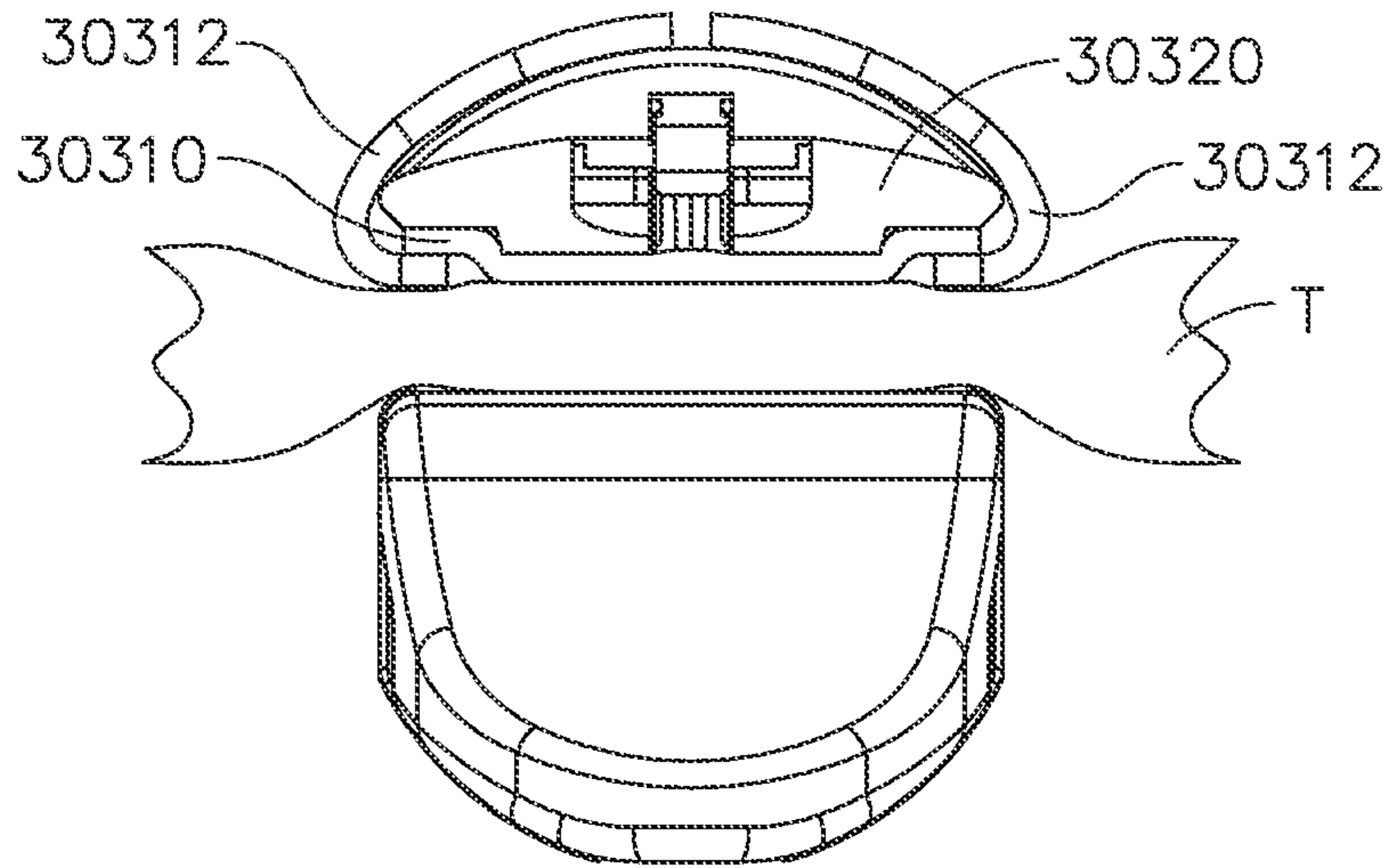


FIG. 282

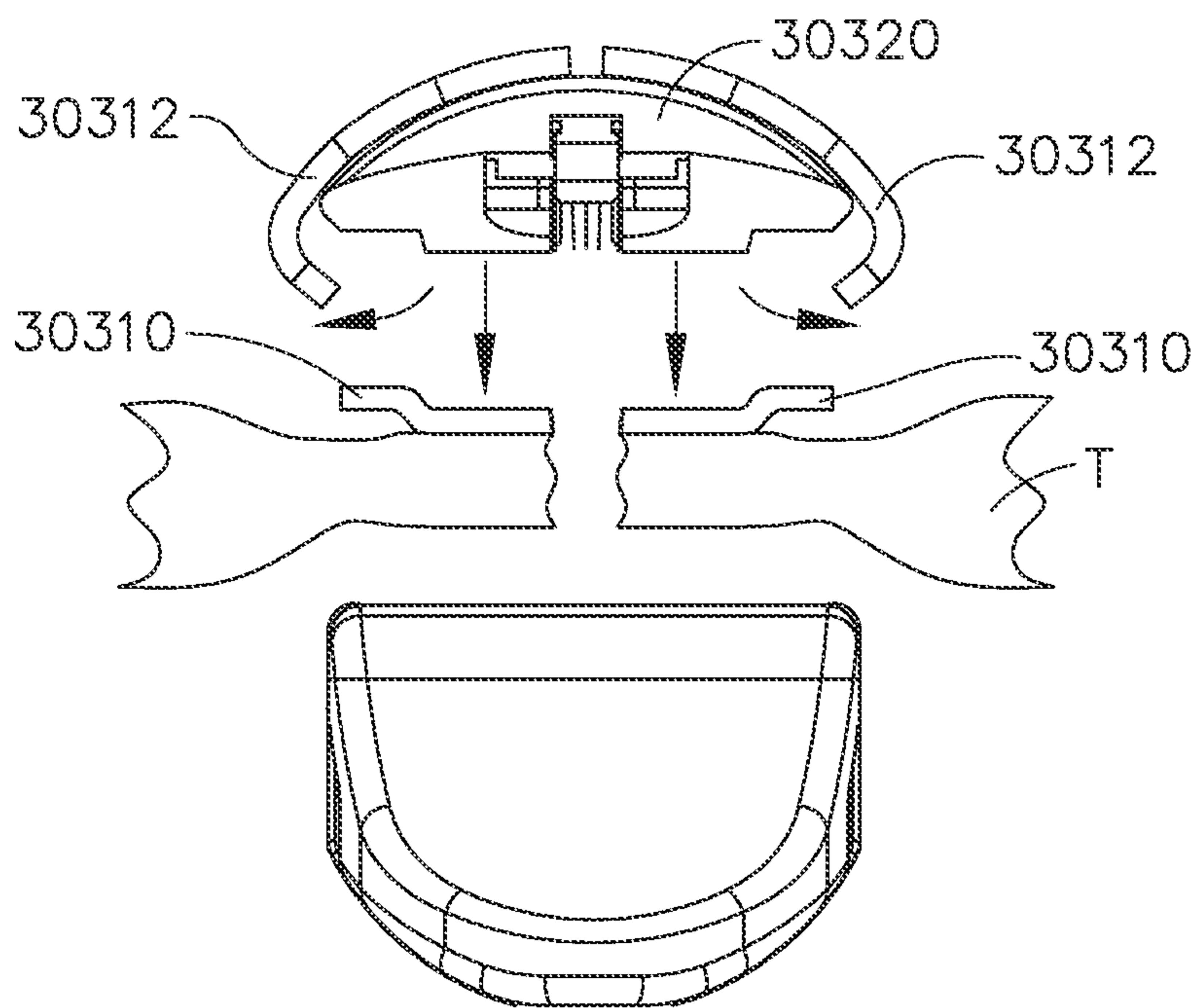


FIG. 283

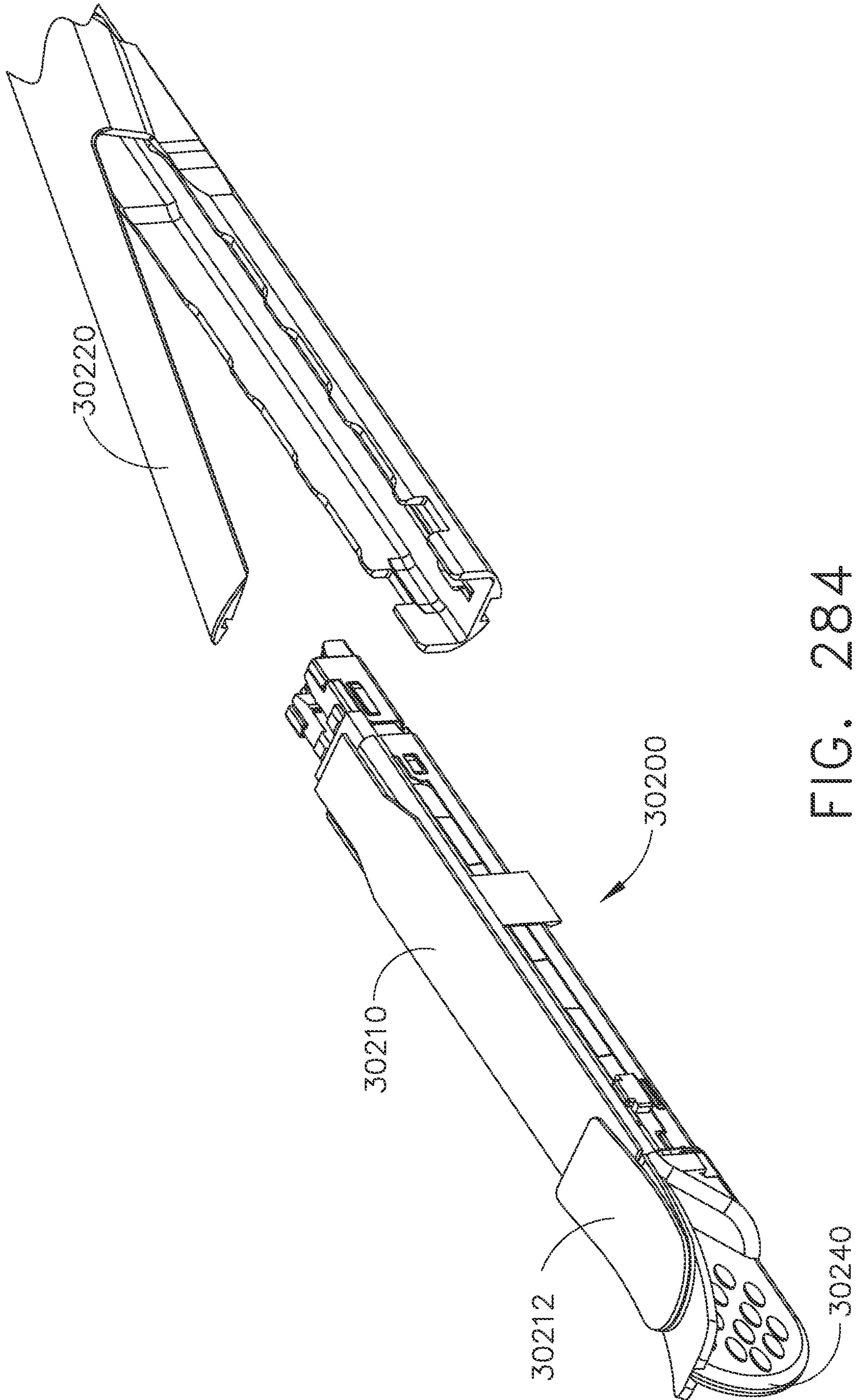


FIG. 284

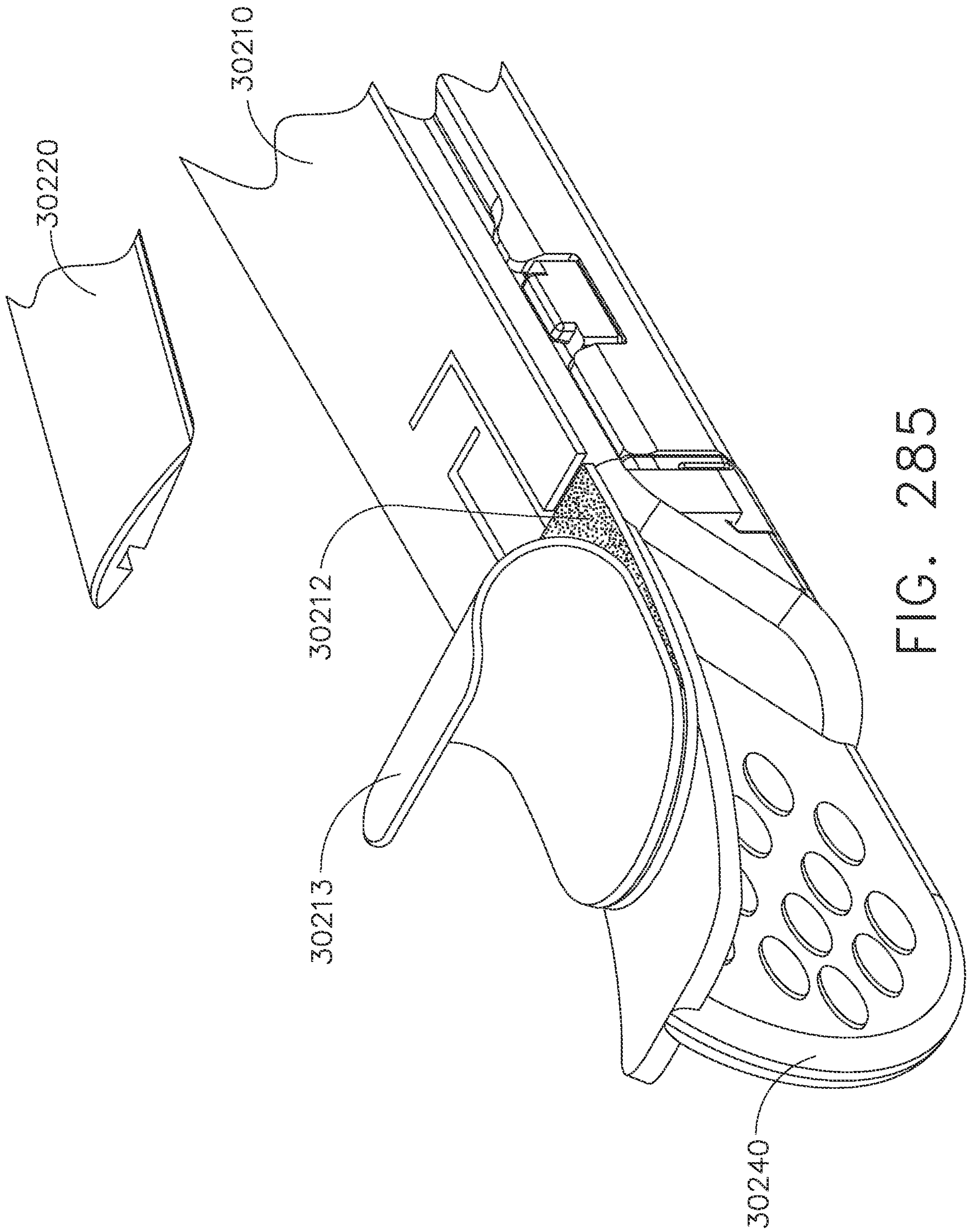


FIG. 285

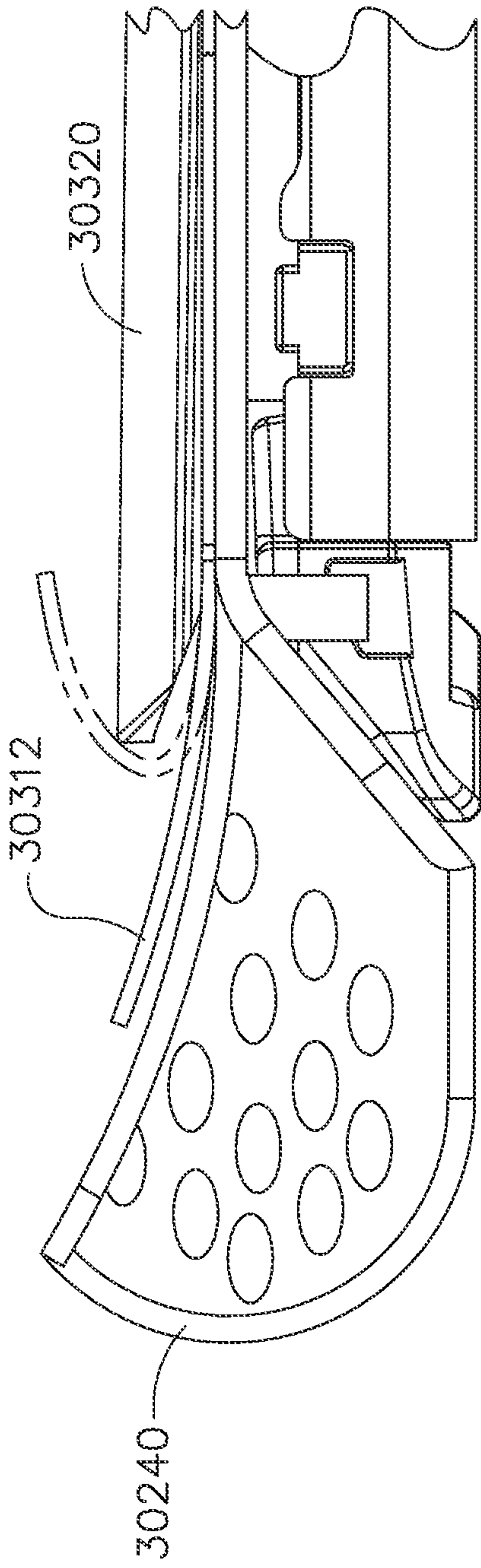


FIG. 286

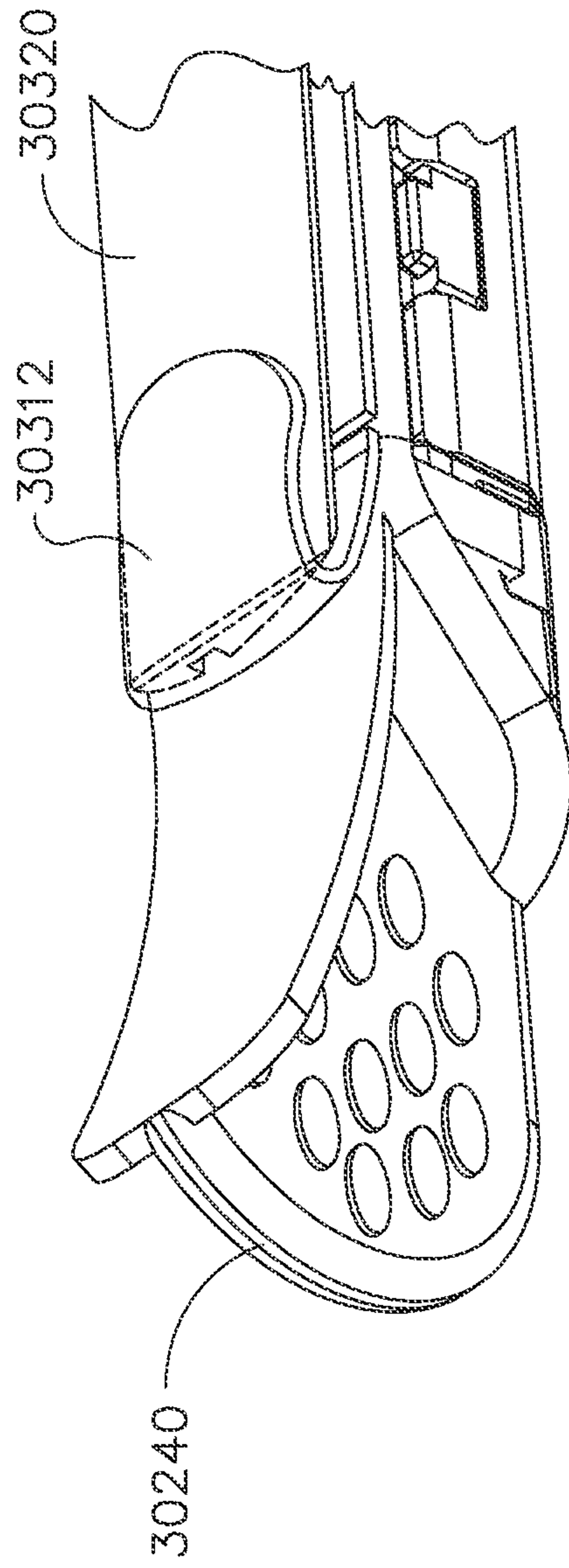


FIG. 287

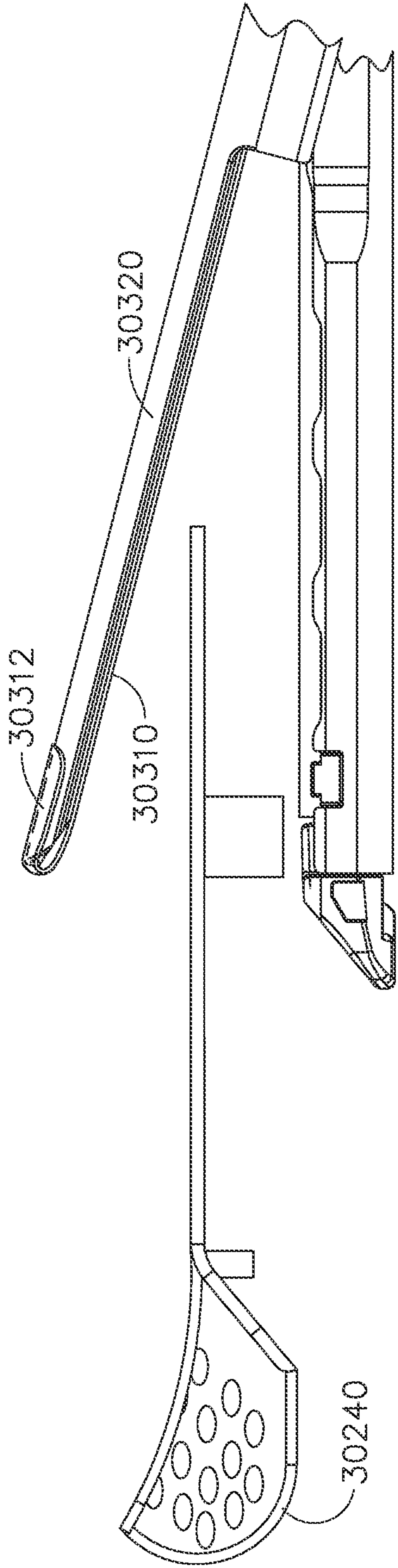


FIG. 288

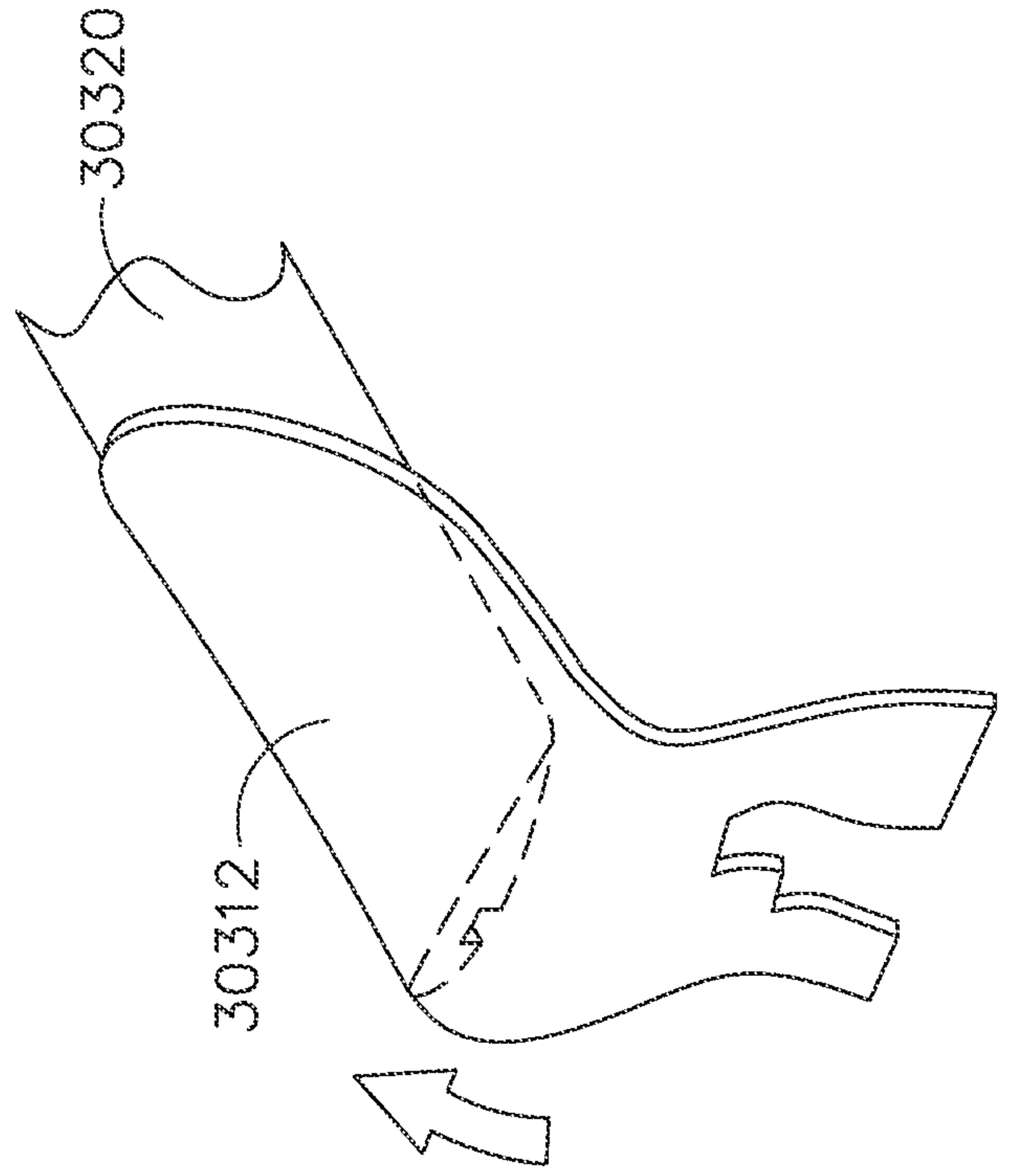


FIG. 292

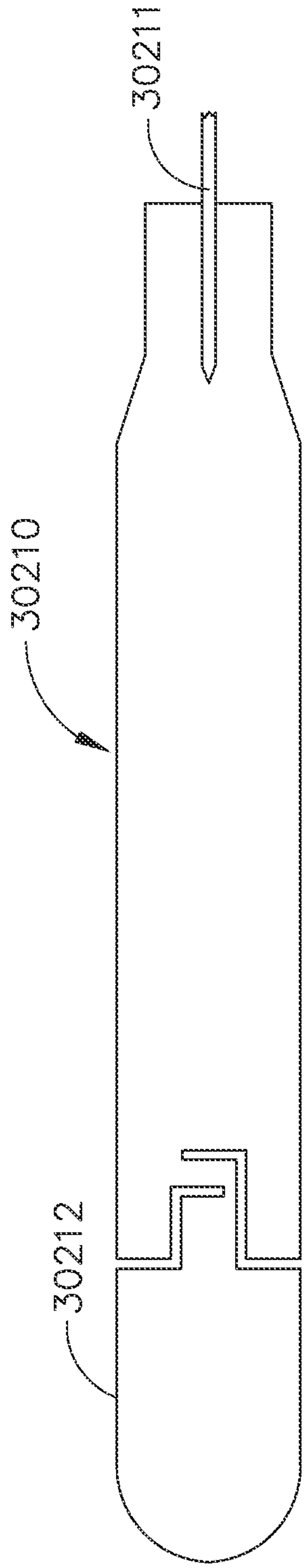


FIG. 289

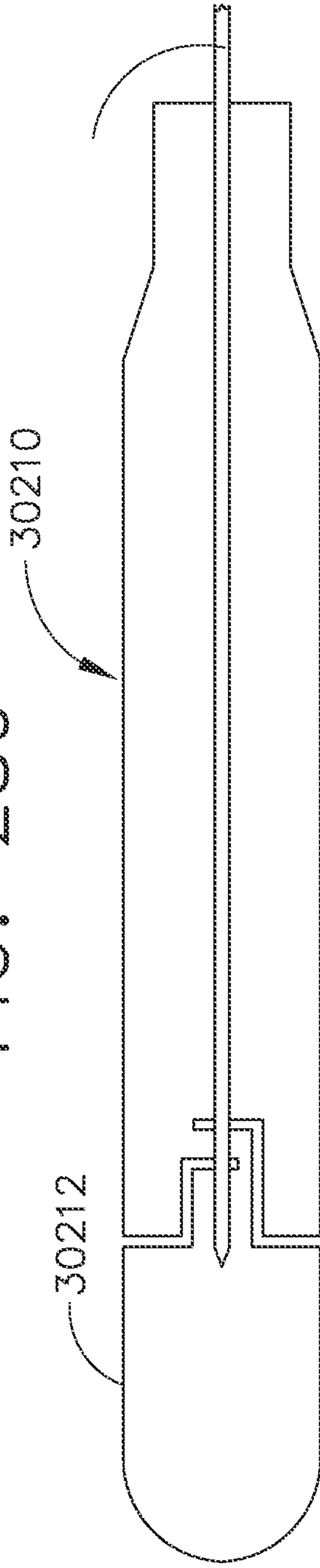


FIG. 290

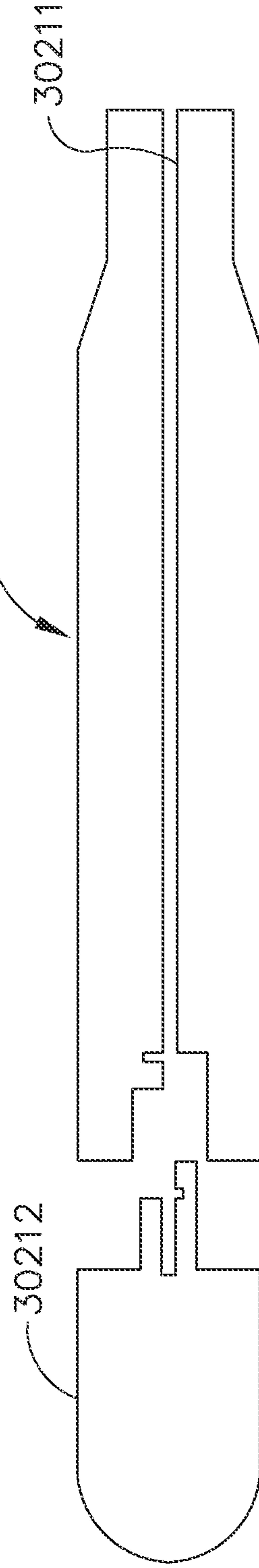


FIG. 291



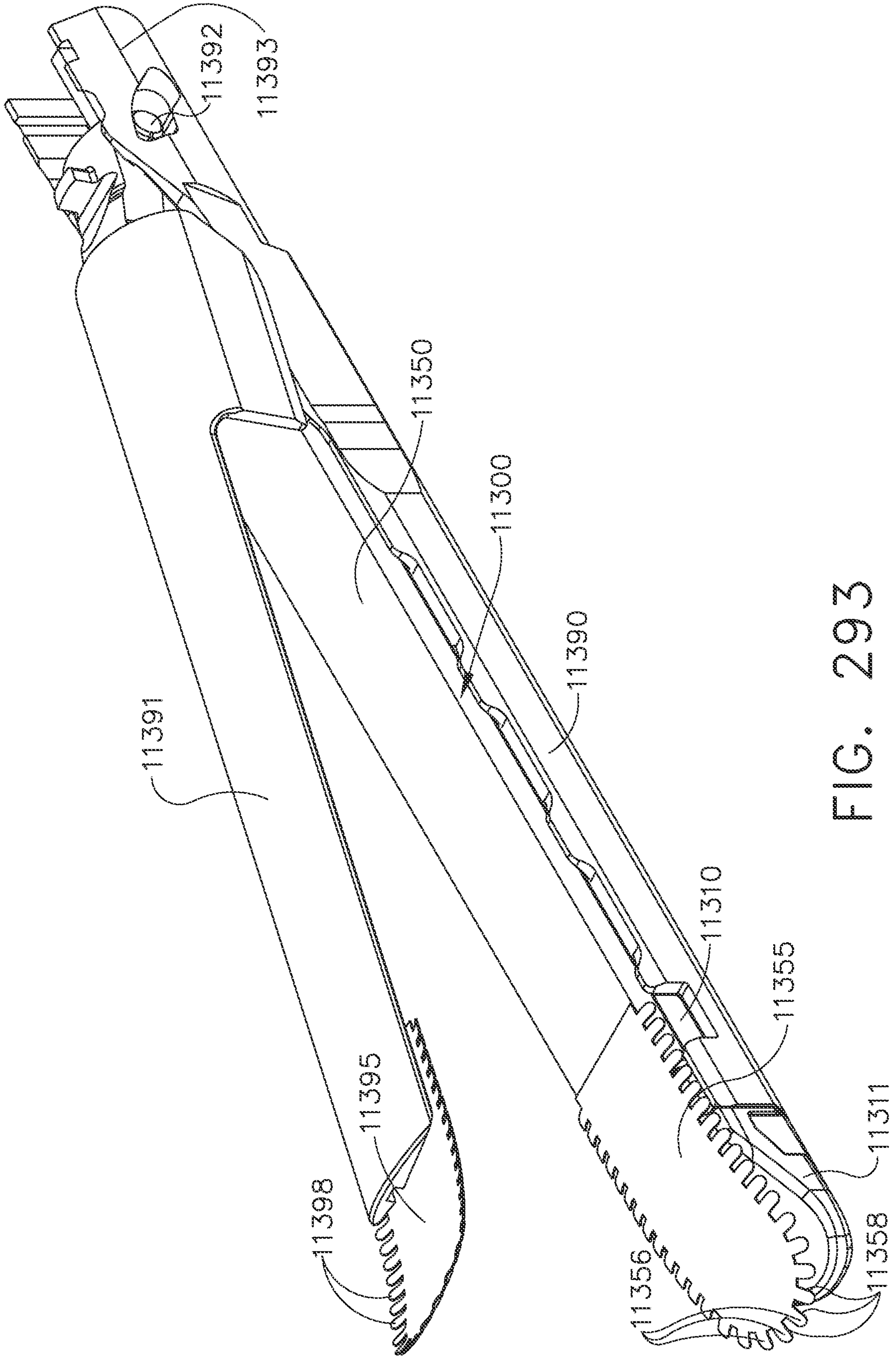


FIG. 293

177/177

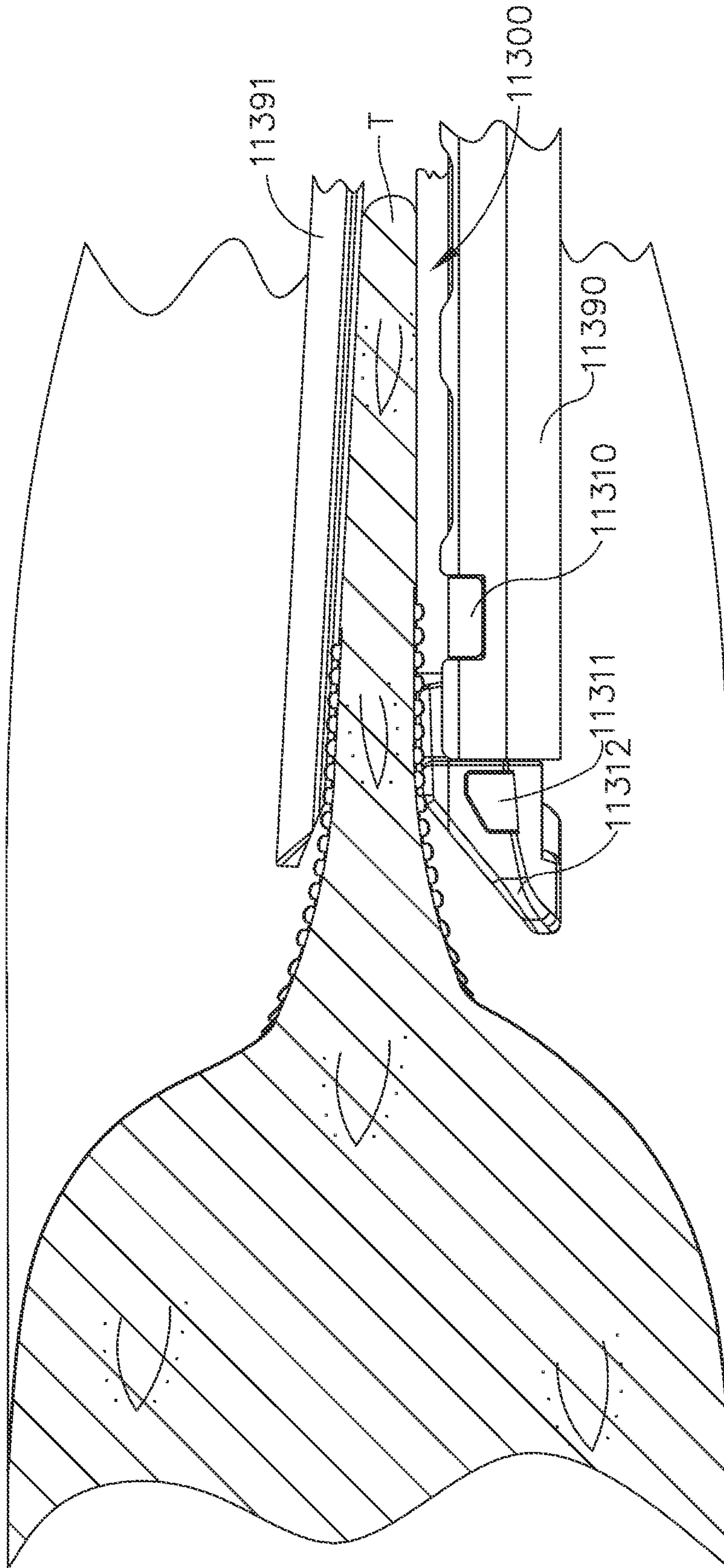


FIG. 294

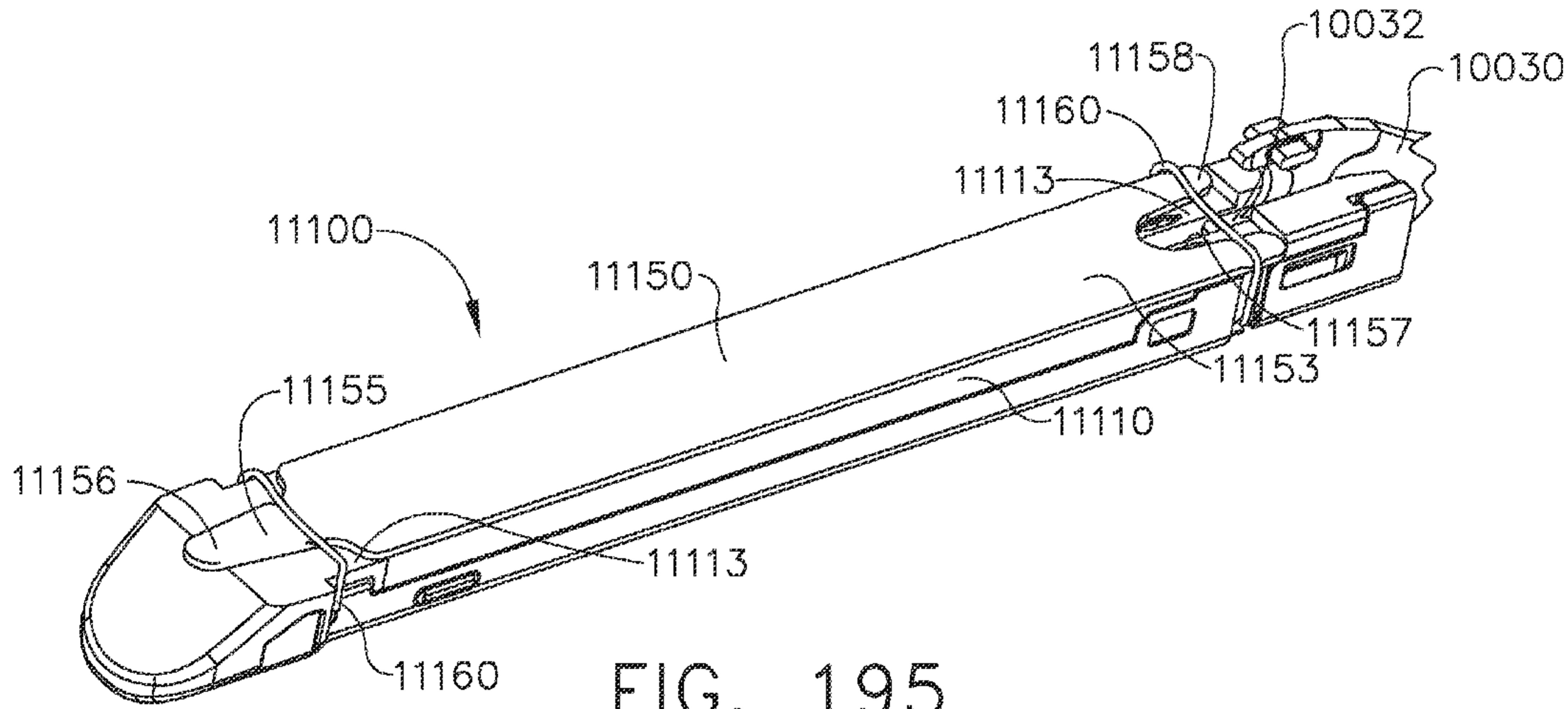


FIG. 195