



US00D712691S

(12) **United States Design Patent**
Xiang et al.

(10) **Patent No.:** **US D712,691 S**

(45) **Date of Patent:** **** Sep. 9, 2014**

(54) **FLAT PANEL DISPLAY STAND BASE**

(71) Applicant: **Loctek Visual Technology Corp.,**
Ningbo (CN)

(72) Inventors: **Lehong Xiang, Ningbo (CN); Qiang**
Chen, Ningbo (CN); Lijun Wu, Ningbo
(CN)

(73) Assignee: **Loctek Visual Technology Corp. (CN)**

(**) Term: **14 Years**

(21) Appl. No.: **29/486,579**

(22) Filed: **Mar. 31, 2014**

(30) **Foreign Application Priority Data**

Oct. 12, 2013 (CN) 2013 3 0481379

(51) **LOC (10) Cl.** **06-06**

(52) **U.S. Cl.**
USPC **D6/678.1**

(58) **Field of Classification Search**
USPC D6/477-479, 474, 460-461, 509, 678,
D6/678.1; 312/7.2, 9.1; 211/40, 41.12, 42,
211/49-50, 85.2, 90.04, 187; 108/59,
108/91-92, 96

See application file for complete search history.

(56) **References Cited**

U.S. PATENT DOCUMENTS

D358,048 S *	5/1995	Schoenig et al.	D6/466
D455,131 S *	4/2002	Reynaga et al.	D14/126
D459,106 S *	6/2002	Walter	D6/411
D474,047 S *	5/2003	Lara	D6/479
D537,656 S *	3/2007	Stenhouse et al.	D6/474
D539,566 S *	4/2007	Anderson	D6/474

D545,081 S *	6/2007	Lara	D6/466
7,261,261 B2 *	8/2007	Ligertwood	248/129
D560,401 S *	1/2008	Hoglan et al.	D6/479
D576,427 S *	9/2008	Stebbens et al.	D6/477
D587,251 S *	2/2009	Morello	D14/239
D587,253 S *	2/2009	Morello	D14/239
D587,254 S *	2/2009	Morello	D14/239
D593,776 S *	6/2009	Sexton	D6/478
D605,429 S *	12/2009	Oner	D6/477
D606,522 S *	12/2009	Le	D14/239
D614,611 S *	4/2010	Leung	D14/239
D615,072 S *	5/2010	Saitou	D14/239
D619,569 S *	7/2010	Honchell	D14/239
D624,063 S *	9/2010	Kasuga et al.	D14/239
D625,302 S *	10/2010	Kasuga et al.	D14/239
D627,359 S *	11/2010	Gillespie	D14/451
D634,310 S *	3/2011	Knaapen	D14/239
D634,946 S *	3/2011	Gillespie	D6/462
D643,027 S *	8/2011	Calco	D14/239

* cited by examiner

Primary Examiner — Kelley Donnelly

(74) *Attorney, Agent, or Firm* — Marger Johnson & McCollom, PC

(57) **CLAIM**

The ornamental design for a flat panel display stand base, as shown and described.

DESCRIPTION

FIG. 1 is a front view of a flat panel display stand base; FIG. 2 is a back view thereof; FIG. 3 is a top view thereof; FIG. 4 is a bottom view thereof; FIG. 5 is a left view thereof; FIG. 6 is a right view thereof; and, FIG. 7 is a perspective view thereof. The broken lines shown in the drawings are for environmental purposes only and form no part of the claimed design.

1 Claim, 7 Drawing Sheets

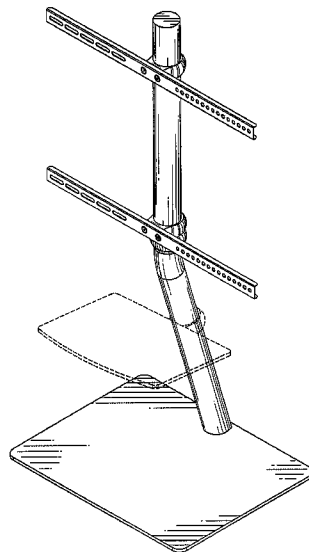


Fig. 1

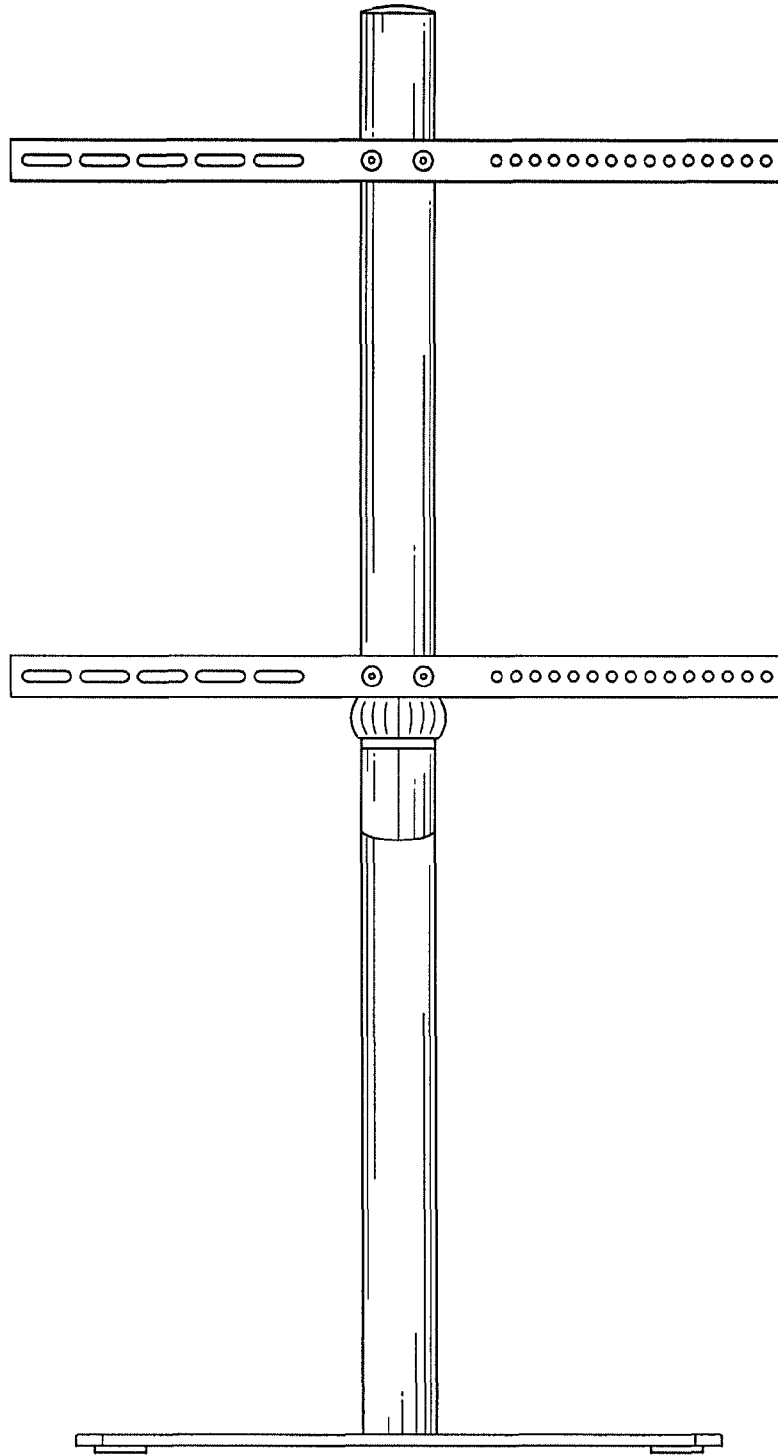


Fig. 2

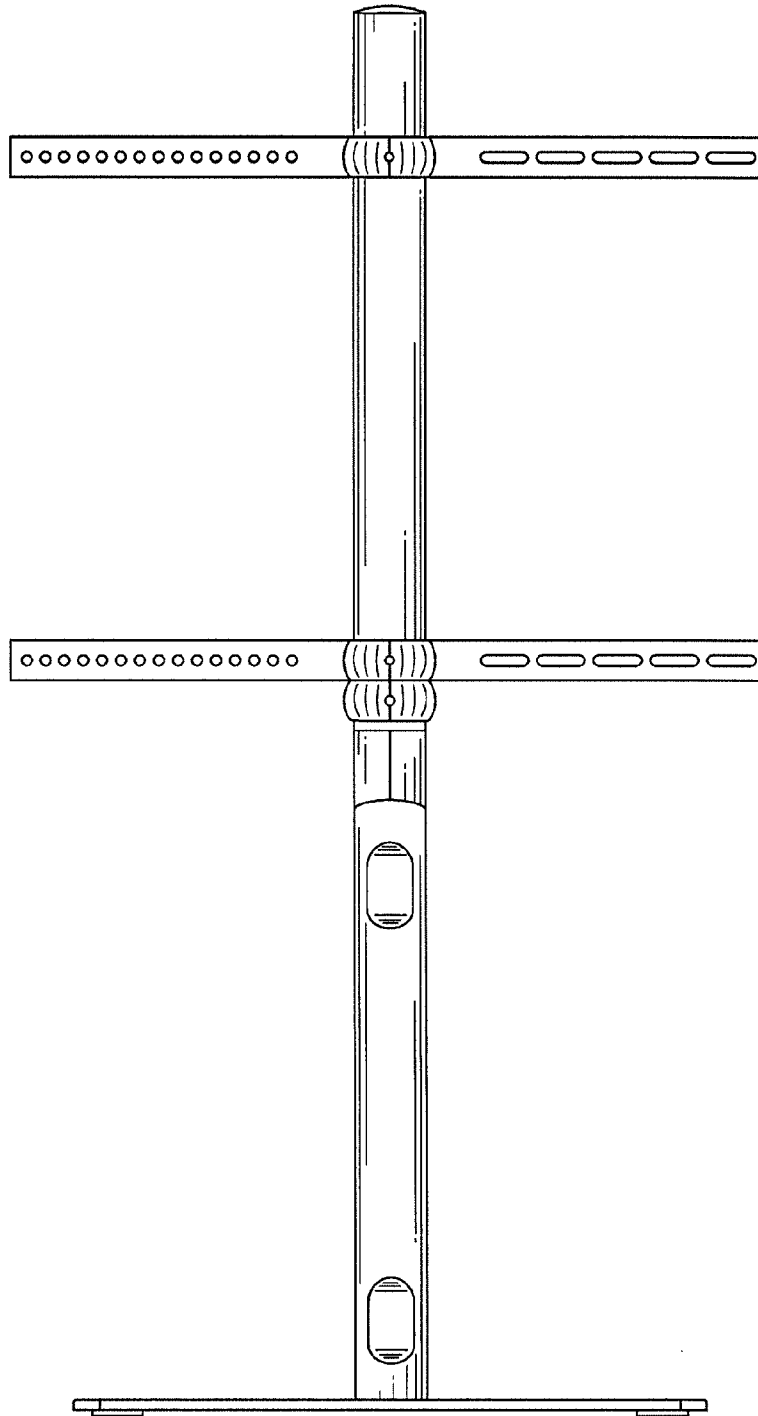


Fig. 3

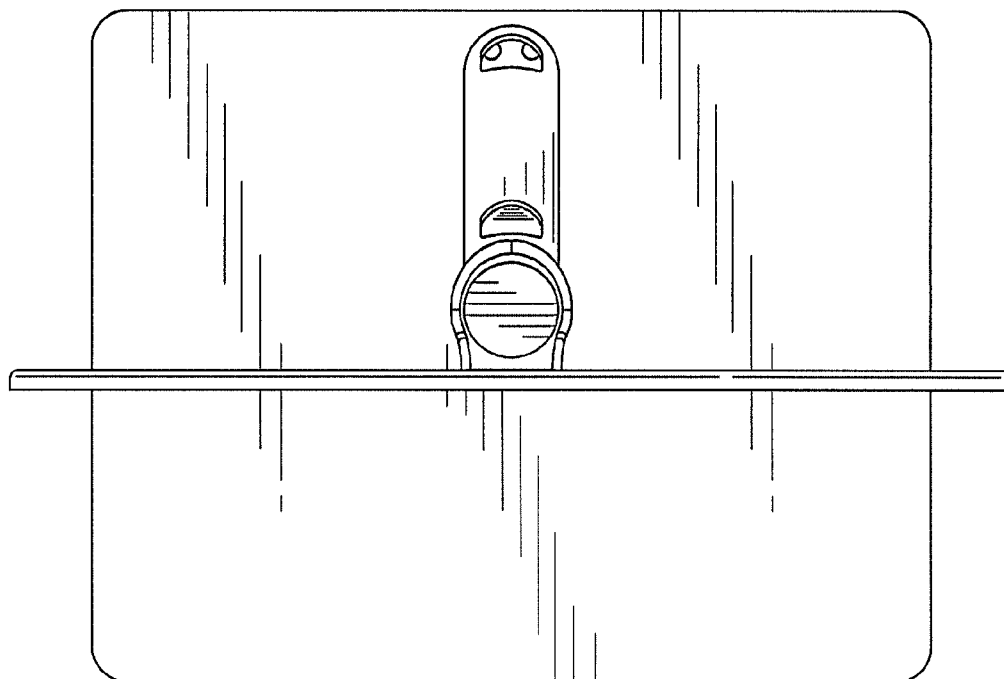


Fig. 4

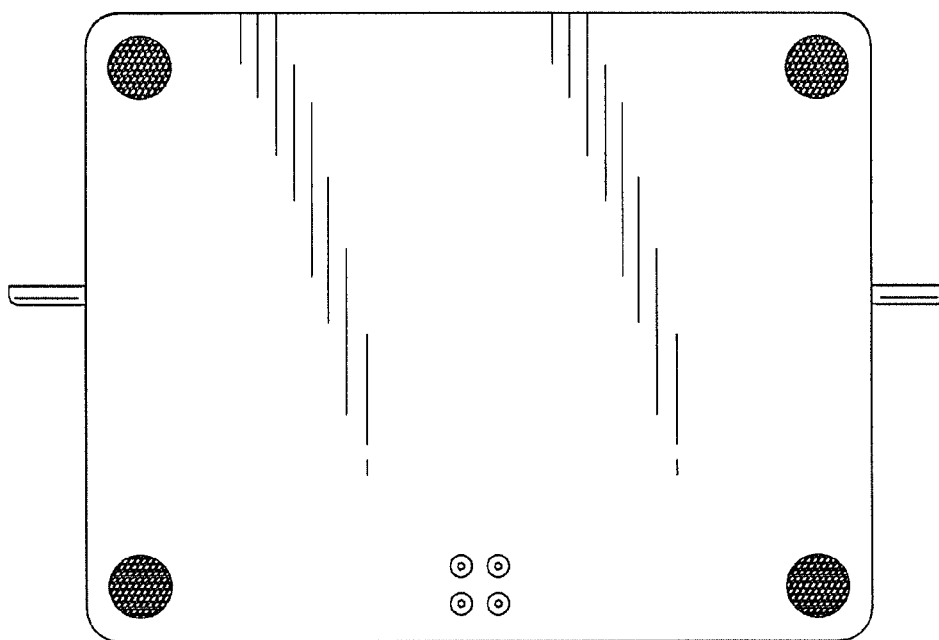


Fig. 5

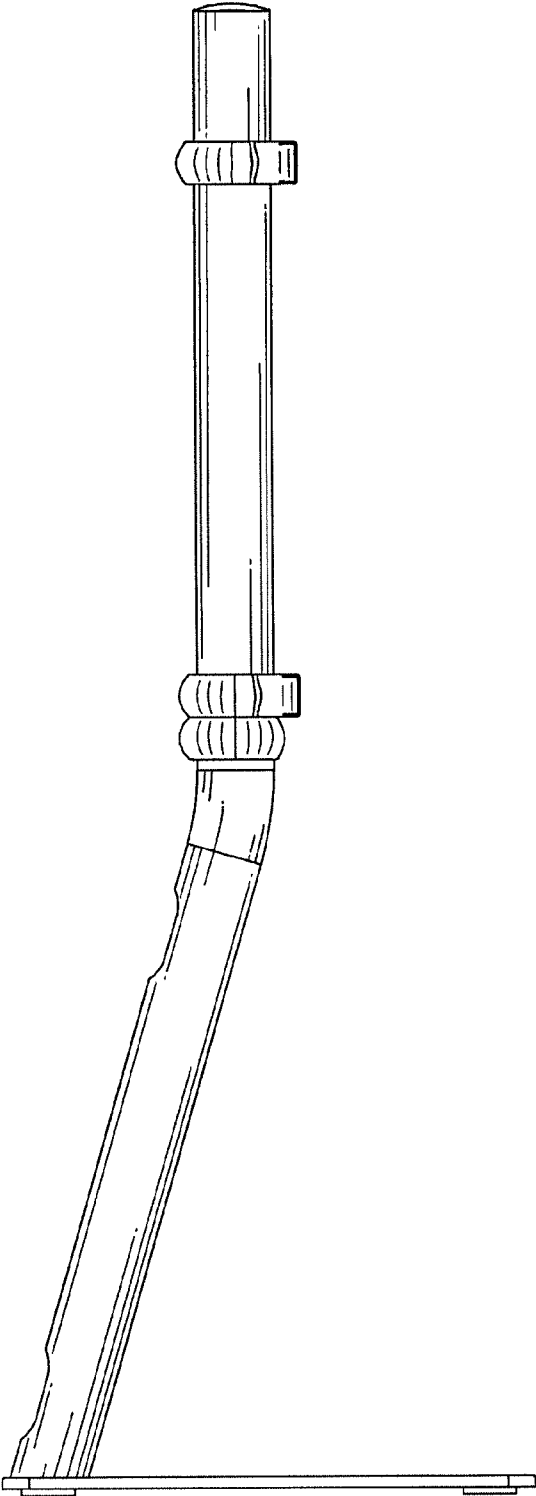


Fig. 6

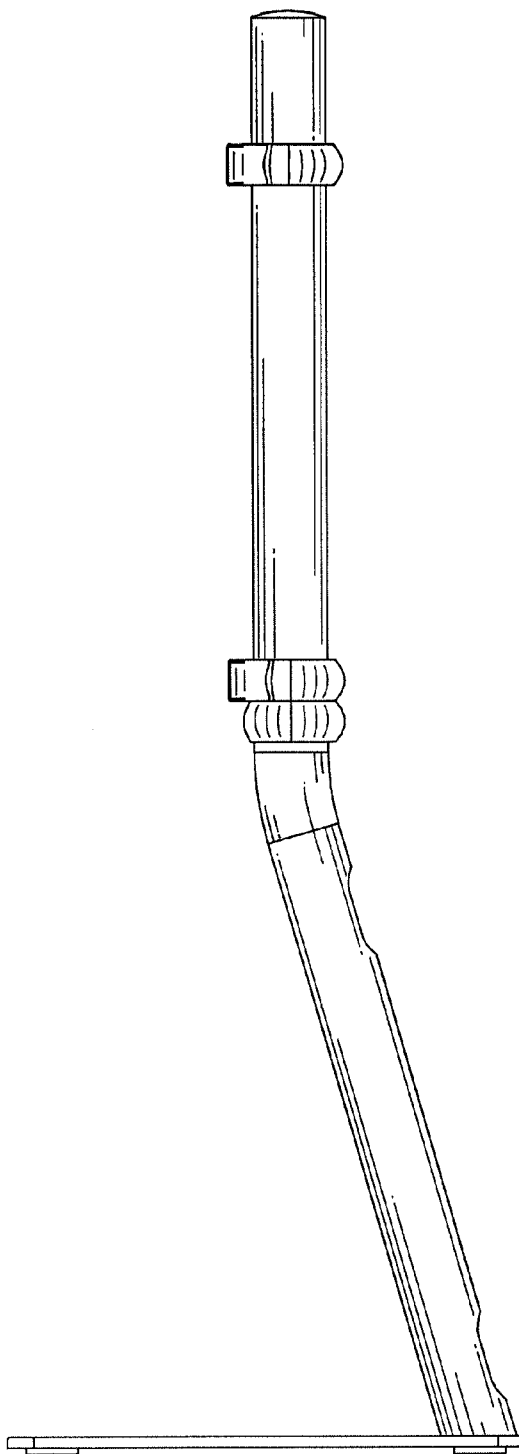


Fig. 7

