



US00D517536S

(12) **United States Design Patent**
Wang

(10) **Patent No.:** **US D517,536 S**

(45) **Date of Patent:** **** Mar. 21, 2006**

(54) **INDOOR ANTENNA**

(75) Inventor: **Cheng-Si Wang**, Changhua Hsien (TW)

(73) Assignee: **Trans Electric Co., Ltd.**, Changhua Hsien (TW)

(**) Term: **14 Years**

(21) Appl. No.: **29/219,373**

(22) Filed: **Dec. 16, 2004**

(51) **LOC (8) Cl.** **14-03**

(52) **U.S. Cl.** **D14/230**

(58) **Field of Classification Search** D14/137,
D14/138, 230-238, 299, 358; D12/42, 43;
343/700 R-705, 871-908, 795, 840, 711-713,
343/819, 846; 455/90.2, 90.3, 91, 128, 269,
455/344, 347, 562.1

See application file for complete search history.

(56) **References Cited**

U.S. PATENT DOCUMENTS

- D176,368 S * 12/1955 Middlemark D14/235
- D417,667 S * 12/1999 Loubert et al. D14/155
- D455,419 S * 4/2002 Inoue D14/235
- D489,720 S * 5/2004 Sasaki D14/358

* cited by examiner

Primary Examiner—Louis S. Zarfes

Assistant Examiner—John Windmuller

(74) *Attorney, Agent, or Firm*—Dellett & Walters

(57) **CLAIM**

The ornamental design for an indoor antenna, as shown and described.

DESCRIPTION

FIG. 1 is a front perspective view of an indoor antenna showing my new design;

FIG. 2 is a front elevational view thereof;

FIG. 3 is a rear elevational view thereof;

FIG. 4 is a left side elevational view thereof;

FIG. 5 is a right side elevational view thereof;

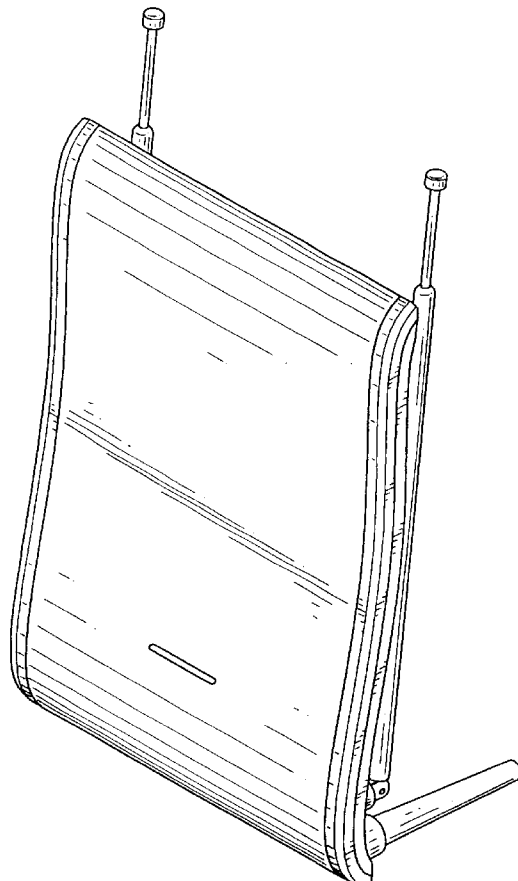
FIG. 6 is a top plan view thereof;

FIG. 7 is a bottom plan view thereof;

FIG. 8 is a front perspective view of the indoor antenna in an alternate position of use; and,

FIG. 9 is a front perspective view of the indoor antenna in a further alternate position of use with one leg detached, wherein the broken lines are shown for illustrative purposes only and form no part of the claimed design.

1 Claim, 6 Drawing Sheets



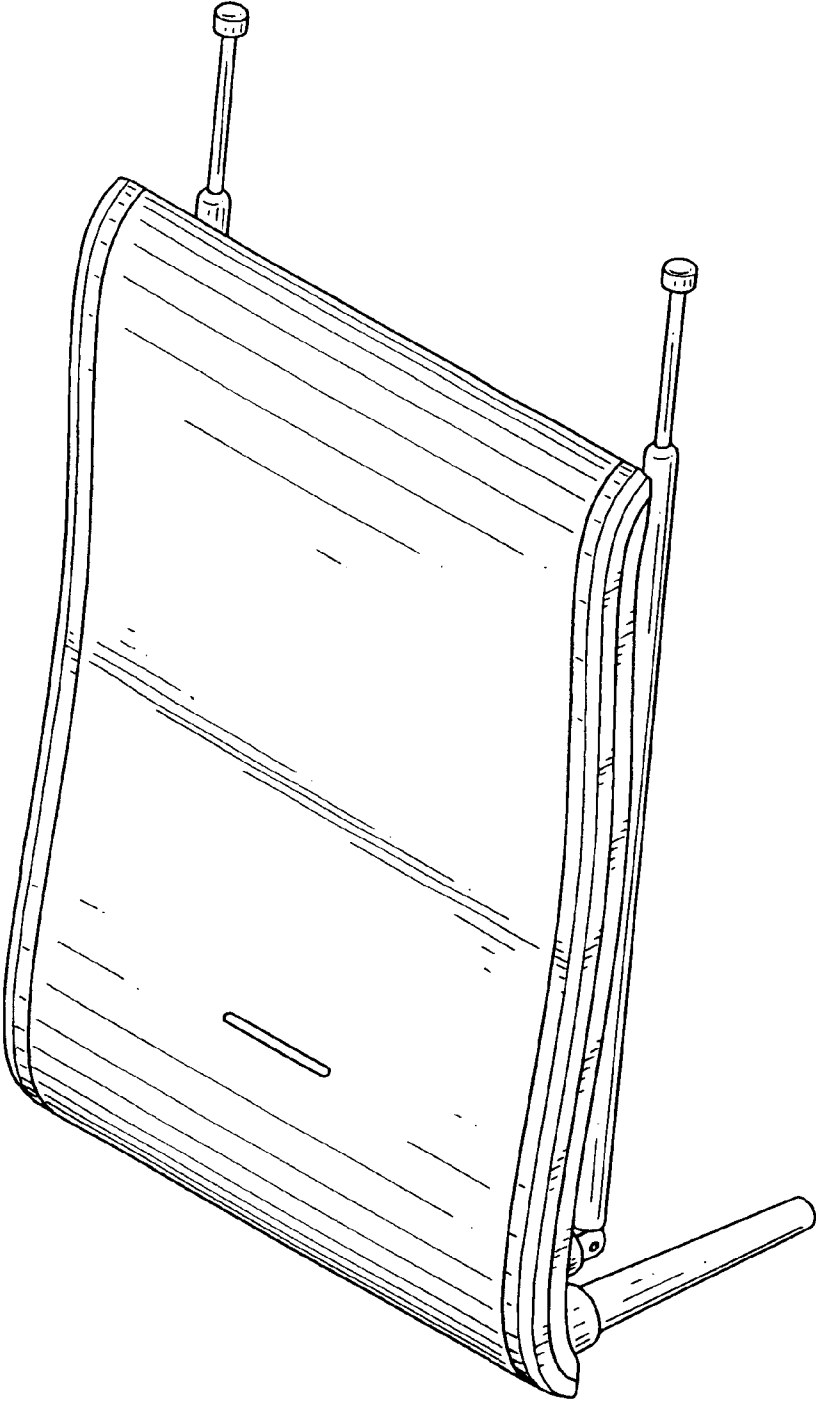


FIG.1

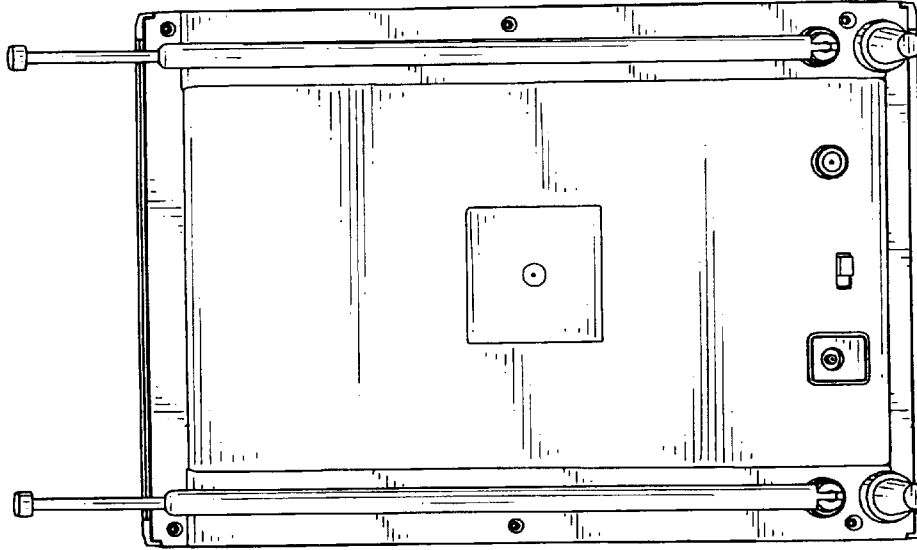


FIG.3

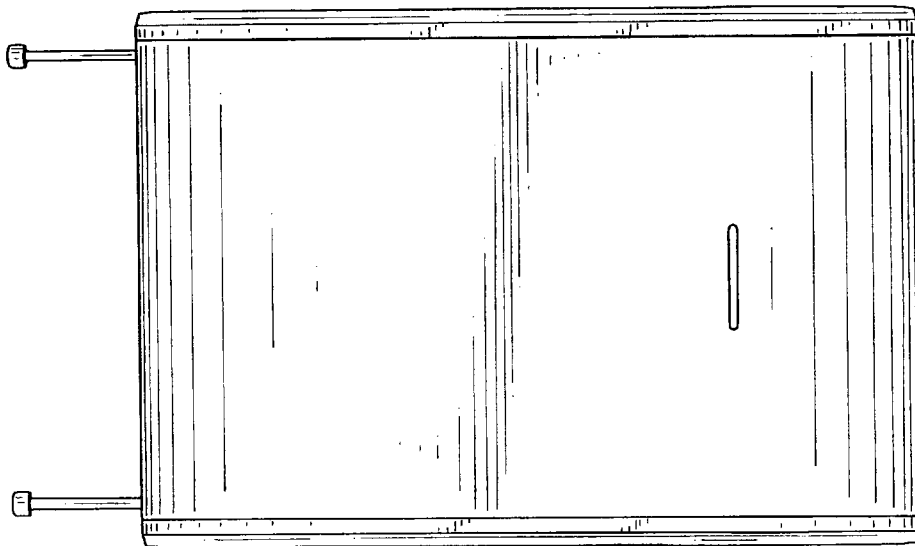


FIG.2

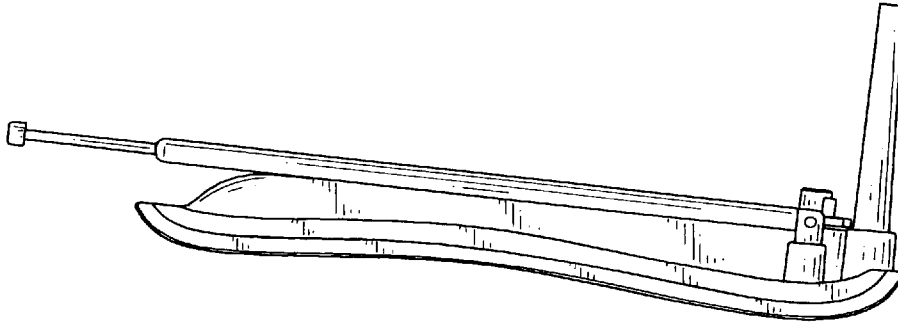


FIG. 5

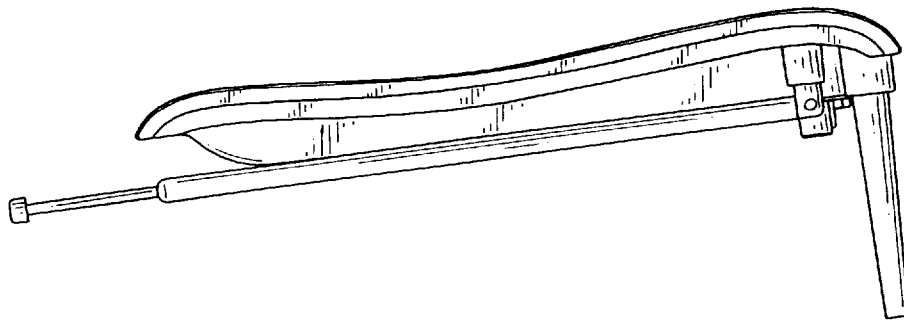


FIG. 4

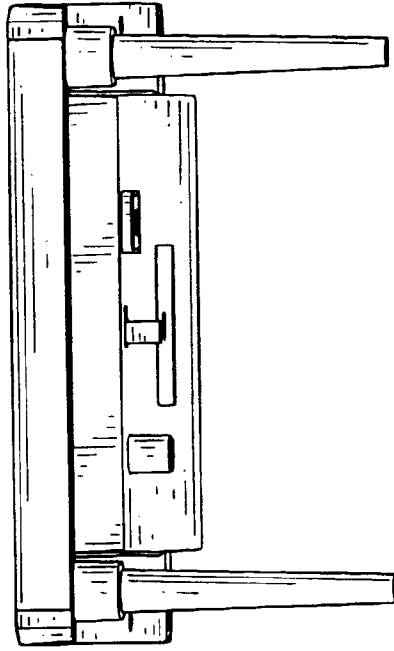


FIG. 7

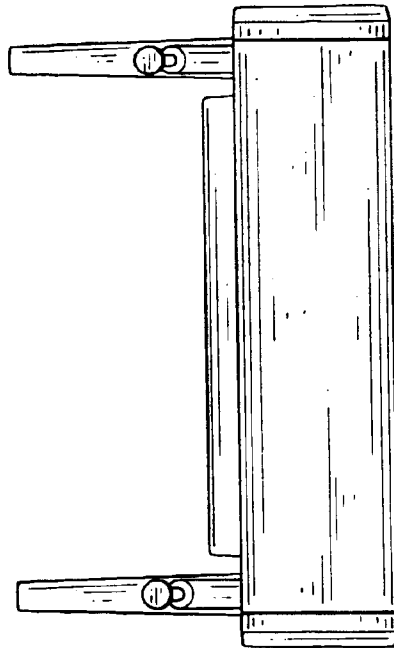


FIG. 6

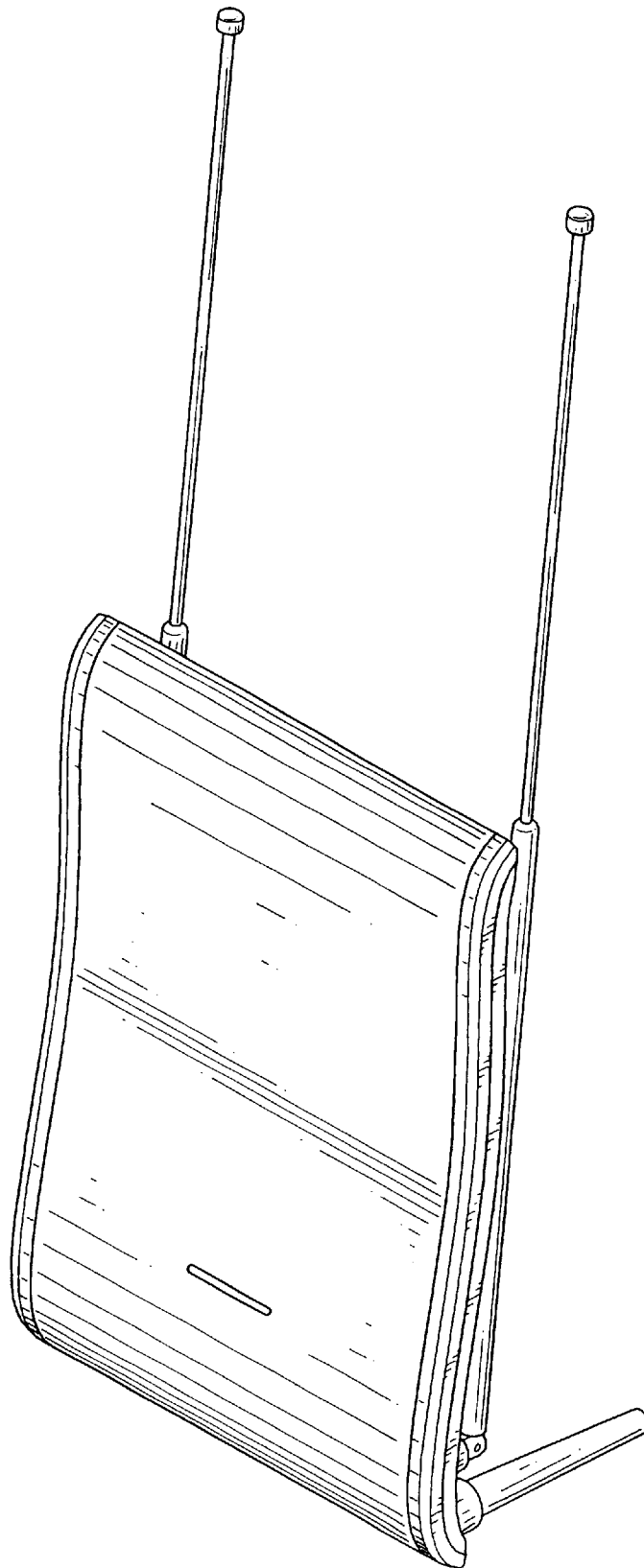


FIG.8

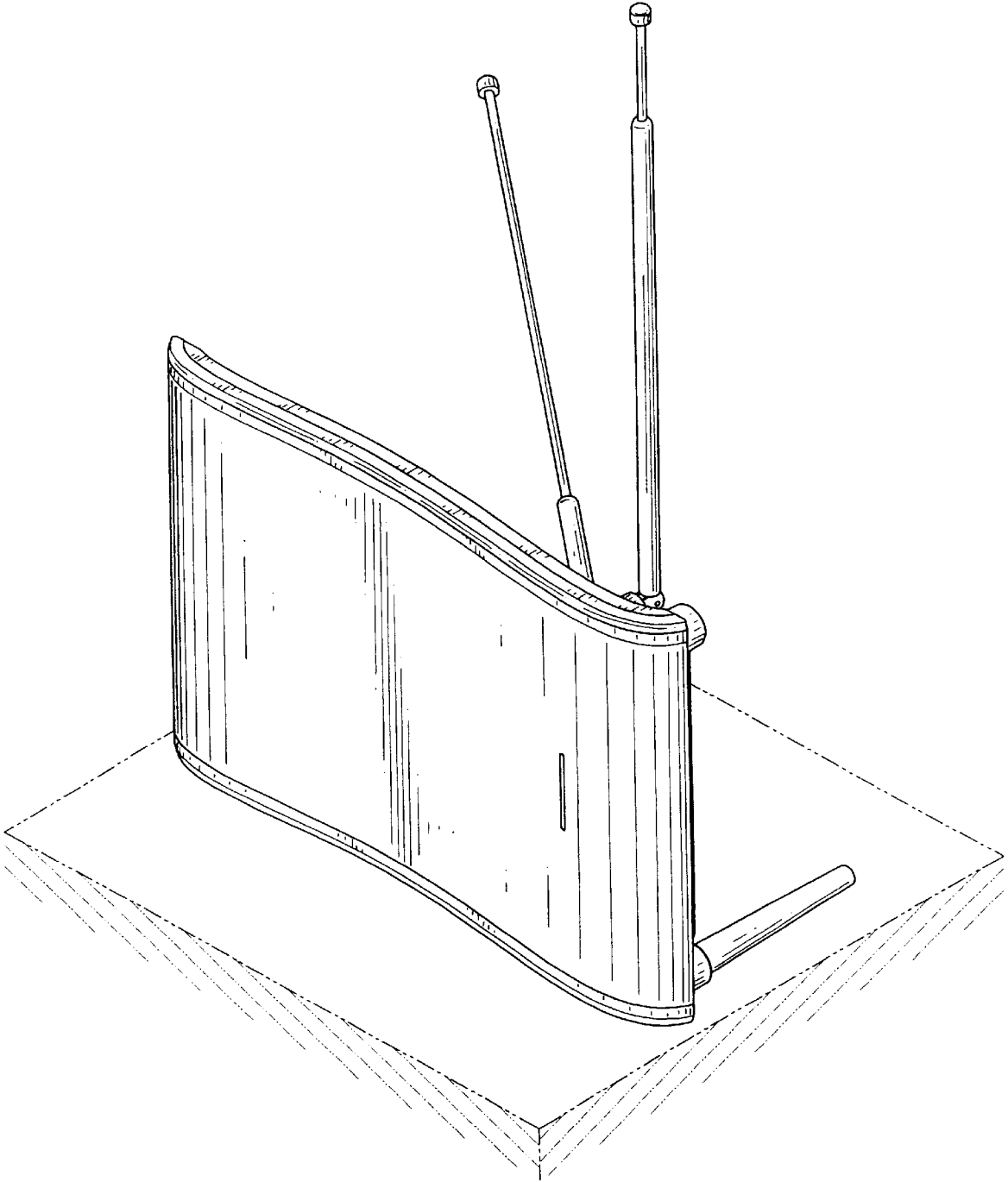


FIG.9