

[54] **COMBINED WINCH MOUNT AND DRAW BAR ADAPTER FOR VEHICLES**

3,889,981 6/1975 Westford 280/507
3,900,214 8/1975 Brockelsby 280/511
4,202,562 5/1980 Sorenson 280/482

[76] Inventor: **John W. Monteith**, 28773 U.S. 20 West, Elkhart, Ind. 46514

Primary Examiner—James M. Gandy
Attorney, Agent, or Firm—Marmaduke A. Hobbs

[**] Term: **14 Years**

[57] **CLAIM**

[21] Appl. No.: **61,079**

The ornamental design for a combined winch mount and draw bar adapter for vehicles, substantially as shown.

[22] Filed: **Jul. 26, 1979**

[51] Int. Cl. **D12-05; D12-16**

[52] U.S. Cl. **D34/35; D12/162**

[58] Field of Search **D12/162, 54, 60; 248/647, 648; 280/480, 482, 507, 511; 254/342, 380**

DESCRIPTION

FIG. 1 is a perspective view of a combined winch mount and draw bar adapter for vehicles showing my new design;

FIG. 2 is a bottom plan view thereof;

FIG. 3 is a side elevational view thereof;

FIG. 4 is a side elevational view thereof opposite to that shown in FIG. 3;

FIG. 5 is a front elevational view thereof; and

FIG. 6 is a rear elevational view thereof.

[56] **References Cited**

U.S. PATENT DOCUMENTS

3,718,317 2/1973 Hilmer 280/480
3,881,751 5/1975 Colby 280/480

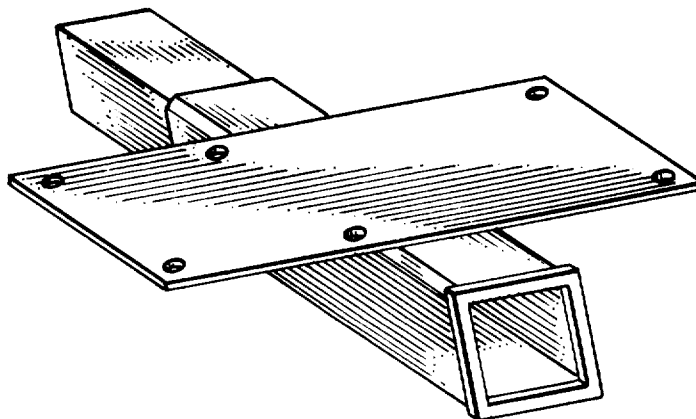


Fig. 1

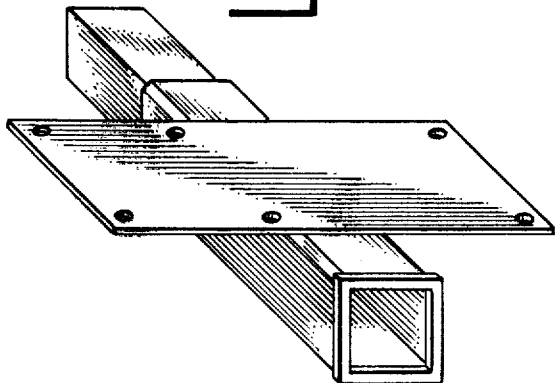


Fig. 2

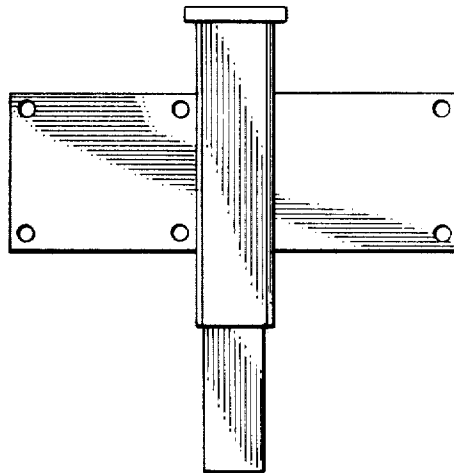


Fig. 3



Fig. 4

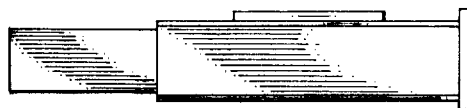


Fig. 5

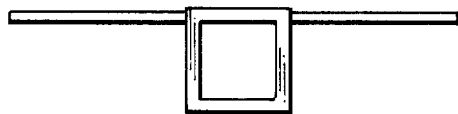


Fig. 6

