



US00D733580S

(12) **United States Design Patent**
Cerrato

(10) **Patent No.:** **US D733,580 S**

(45) **Date of Patent:** **** Jul. 7, 2015**

(54) **WATCH CASE**

(71) Applicant: **Daive Cerrato**, Geneva (CH)

(72) Inventor: **Daive Cerrato**, Geneva (CH)

(73) Assignee: **TUDOR WATCH U.S.A., LLC**, New York, NY (US)

(**) Term: **14 Years**

(21) Appl. No.: **29/481,737**

(22) Filed: **Feb. 10, 2014**

Related U.S. Application Data

(62) Division of application No. 29/401,898, filed on Sep. 16, 2011, now Pat. No. Des. 701,134.

(30) **Foreign Application Priority Data**

Mar. 16, 2011 (CH) 137820

(51) **LOC (10) Cl.** **10-02**

(52) **U.S. Cl.**
USPC **D10/38**

(58) **Field of Classification Search**

USPC D10/30-39, 128; 368/276, 281, 282,
368/290, 319, 320, 321

CPC .. G04B 37/00; G04B 37/008; G04B 37/0058;
G04B 45/0069; G04B 37/081; G04B 21/08;
G04B 37/106

See application file for complete search history.

(56) **References Cited**

U.S. PATENT DOCUMENTS

D131,628 S 3/1942 Heinmuller
D195,421 S 6/1963 Huguenin
3,475,902 A 11/1969 Wessel
3,665,701 A * 5/1972 Burdet 368/295

3,740,944 A * 6/1973 Chopard 368/281
3,901,023 A * 8/1975 Uebelhardt 368/281
D240,026 S 5/1976 Szalek
5,119,349 A * 6/1992 Muto et al. 368/157
5,220,541 A * 6/1993 Vuilleumier 368/88
D460,002 S 7/2002 Wunderman
D473,473 S 4/2003 Wunderman
D485,768 S * 1/2004 Baumann D10/32
D517,432 S 3/2006 Laucella
D536,628 S 2/2007 Roth
D536,998 S * 2/2007 Fujihara D10/38
D538,181 S * 3/2007 Sugiura D10/31
D538,182 S 3/2007 Lalo
D579,350 S 10/2008 Calvani
D585,309 S 1/2009 Monachon
D588,941 S * 3/2009 Fasciano D10/38
D590,727 S * 4/2009 Wei D10/38
D592,975 S * 5/2009 Markl D10/32
D618,119 S * 6/2010 Tonohori D10/38
D624,443 S * 9/2010 Cerrato D10/38
7,988,350 B2 * 8/2011 Bonnet et al. 368/297
D655,630 S 3/2012 Behling
D658,517 S 5/2012 Behling
D664,879 S 8/2012 Behling
D667,316 S * 9/2012 Tonohori D10/32

(Continued)

Primary Examiner — Lucy Lieberman

(74) *Attorney, Agent, or Firm* — Sughrue Moin, PLLC

(57) **CLAIM**

The ornamental design for a watch case, as shown and described.

DESCRIPTION

FIG. 1 is a right-top perspective view of the watch case;

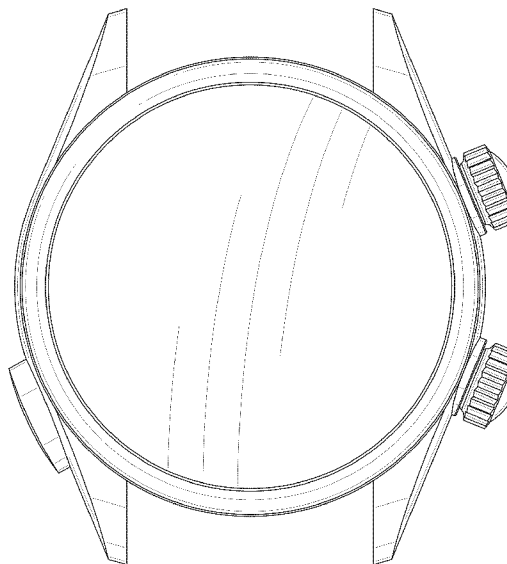
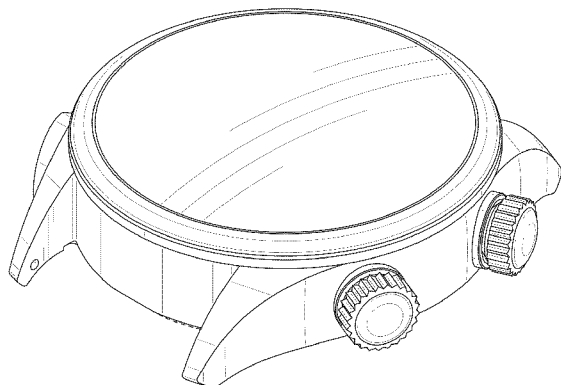
FIG. 2 is a top view of the watch case;

FIG. 3 is a right side view of the watch case; and,

FIG. 4 is a left side view of the watch case.

The broken lines depict environment only and form no part of the claimed design.

1 Claim, 3 Drawing Sheets



US D733,580 S

Page 2

(56)

References Cited

U.S. PATENT DOCUMENTS

D668,162 S *	10/2012	Inoue	D10/39	D702,136 S *	4/2014	Monachon	D10/39
D691,495 S *	10/2013	Duport	D10/32	D708,965 S *	7/2014	Monachon	D10/39
				D711,750 S *	8/2014	Monachon	D10/39
				2013/0201804 A1 *	8/2013	Bertrand et al.	368/281

* cited by examiner

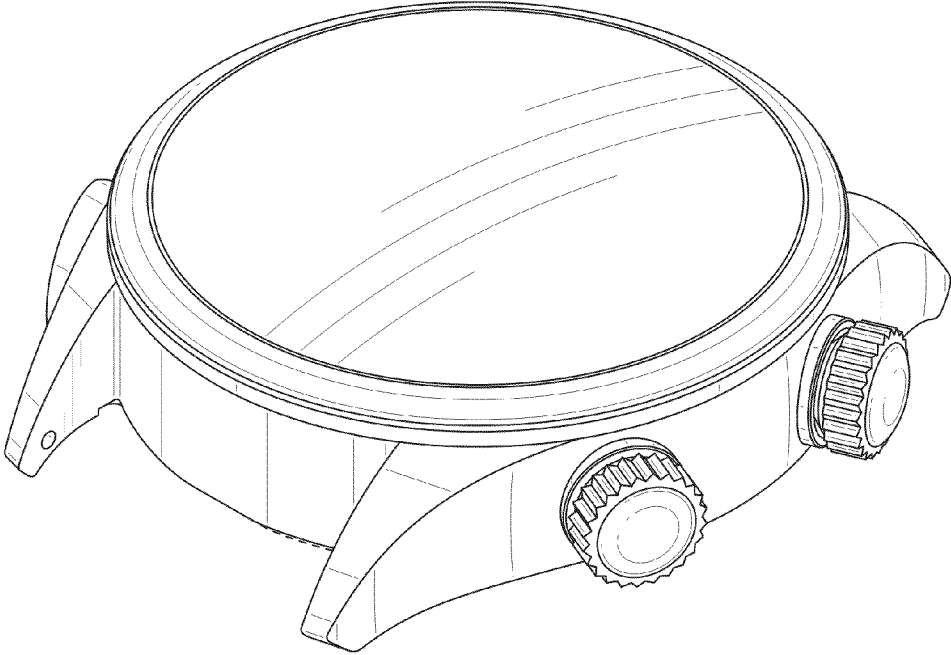


FIG. 1

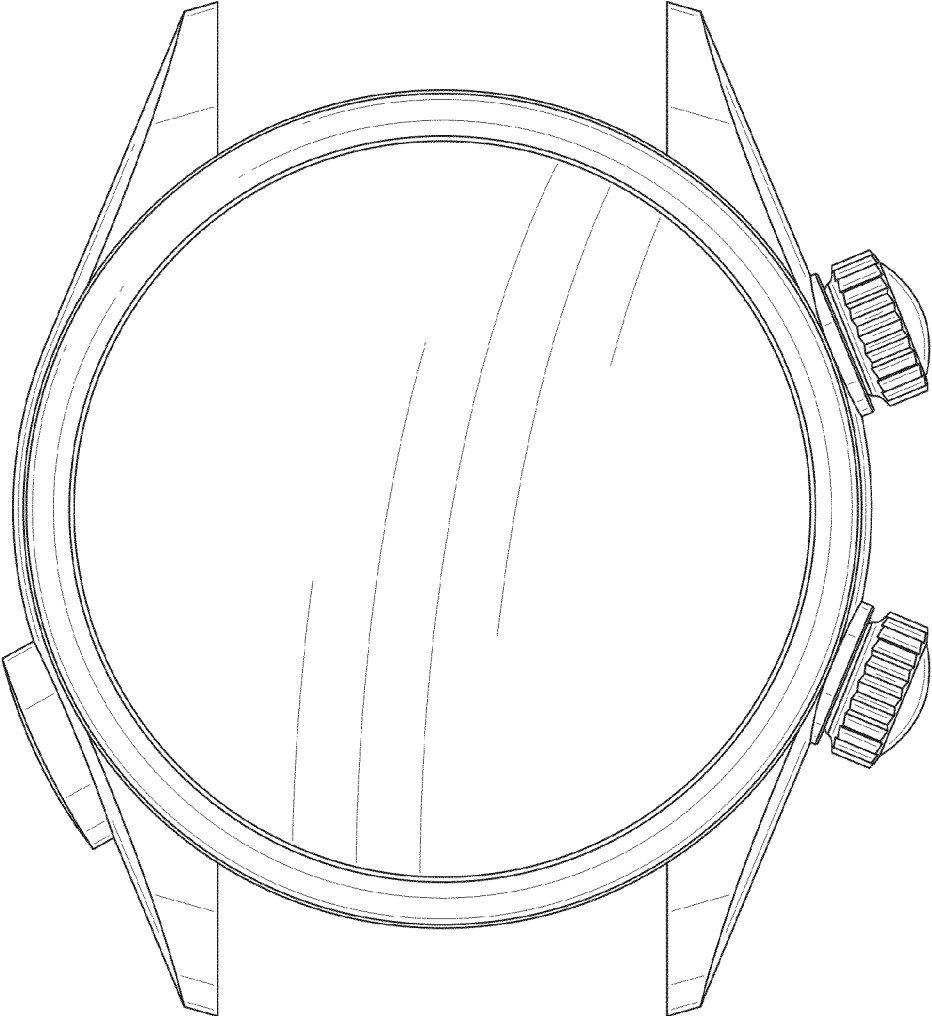


FIG. 2

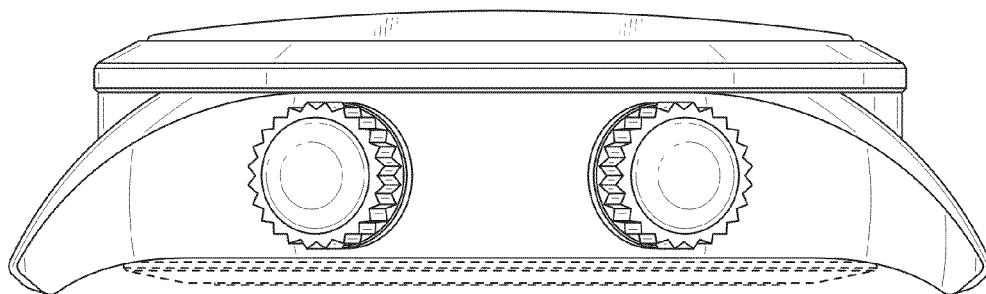


FIG. 3

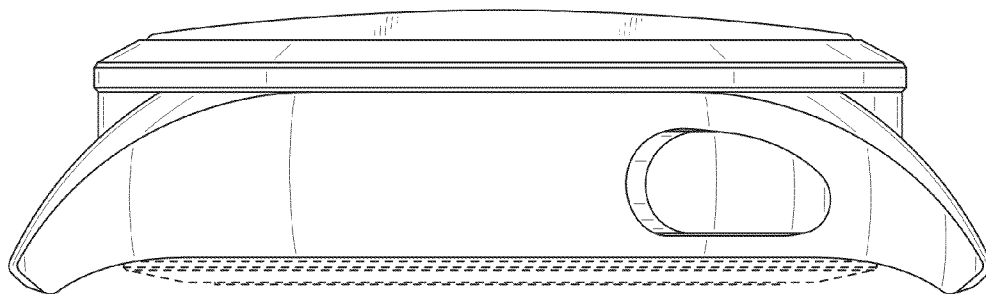


FIG. 4