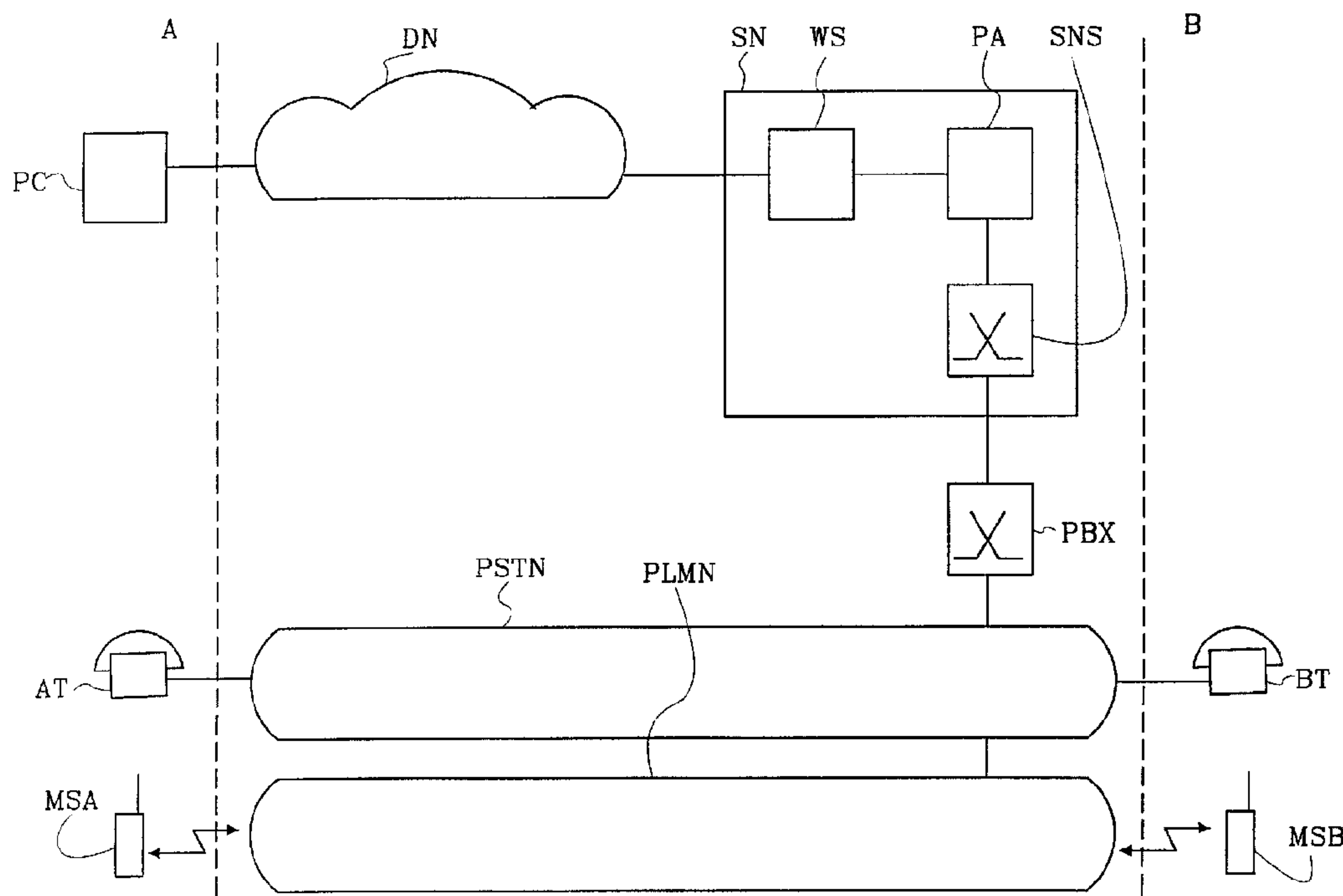




(86) Date de dépôt PCT/PCT Filing Date: 1997/10/14
 (87) Date publication PCT/PCT Publication Date: 1998/05/07
 (45) Date de délivrance/Issue Date: 2005/05/03
 (85) Entrée phase nationale/National Entry: 1999/04/27
 (86) N° demande PCT/PCT Application No.: SE 1997/001719
 (87) N° publication PCT/PCT Publication No.: 1998/019445
 (30) Priorité/Priority: 1996/10/28 (9603930-0) SE

(51) Cl.Int.⁶/Int.Cl.⁶ H04M 11/00, H04M 3/42, H04M 1/26,
H04L 29/06
 (72) Inventeurs/Inventors:
DANNE, ANDERS OLOF, SE;
BERGQVIST, PER, SE;
BAGE, GORAN, SE
 (73) Propriétaire/Owner:
TELEFONAKTIEBOLAGET LM ERICSSON, SE
 (74) Agent: BEAUCHESNE, NICOLAESCU

(54) Titre : DISPOSITIF ET PROCEDE UTILISES POUR ETABLIR UNE COMMUNICATION ENTRE UN RESEAU DE
DONNEES ET UN RESEAU DE TELECOMMUNICATION
 (54) Title: DEVICE AND METHOD FOR COMMUNICATION BETWEEN A DATA NETWORK AND A
TELECOMMUNICATIONS NETWORK



(57) **Abrégé/Abstract:**

The present invention relates to a service node between Internet networks and a telecommunications network, said node being used to order telephony services by means of HTML pages from a computer having a WWW browser. The invention also relates to a method for calling a B subscriber, in which the call is ordered from the computer but the connection is set up between the telephones of the A and B subscribers' telephones. The service node communicates with computers connected to computer networks using the HTTP protocol. The node stores data related to a subscriber, said data can be used when the user requests a telephony service. The node is centrally located, which enables the use of its services even if the user moves to another location and terminal.



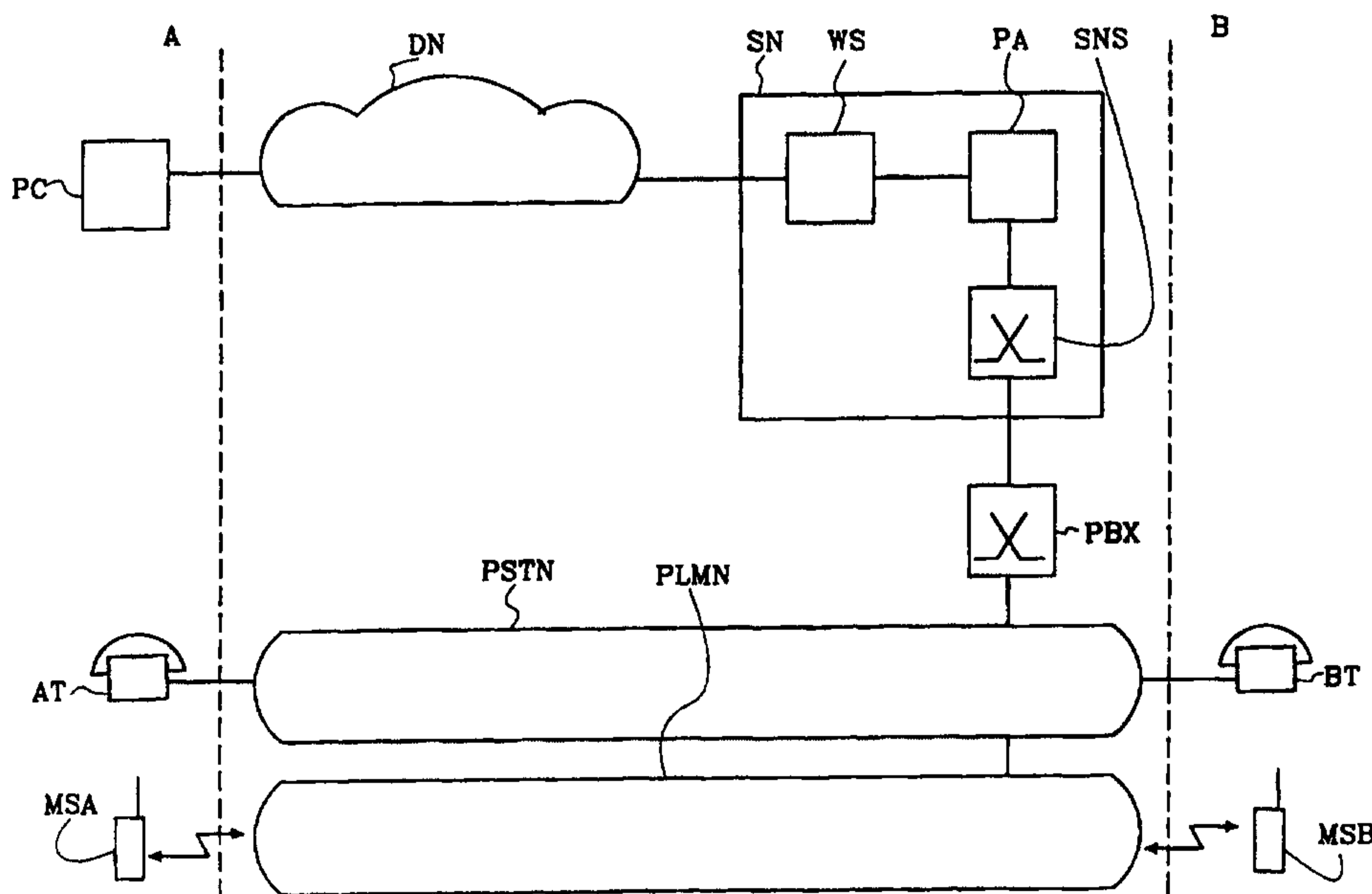
PCT

WORLD INTELLECTUAL PROPERTY ORGANIZATION
International Bureau

INTERNATIONAL APPLICATION PUBLISHED UNDER THE PATENT COOPERATION TREATY (PCT)

<p>(51) International Patent Classification⁶ : H04M 11/00, 1/26, 3/42, H04L 29/06</p>	A1	<p>(11) International Publication Number: WO 98/19445</p> <p>(43) International Publication Date: 7 May 1998 (07.05.98)</p>
<p>(21) International Application Number: PCT/SE97/01719</p> <p>(22) International Filing Date: 14 October 1997 (14.10.97)</p> <p>(30) Priority Data: 9603930-0 28 October 1996 (28.10.96) SE</p> <p>(71) Applicant: TELEFONAKTIEBOLAGET LM ERICSSON (publ) [SE/SE]; S-126 25 Stockholm (SE).</p> <p>(72) Inventors: DANNE, Anders, Olof; Kastrupgatan 12, S-164 41 Kista (SE). PERGQVIST, Per; Lindhagensgatan 69, S-112 43 Stockholm (SE). BÅGE, Göran; Byvägen 10, S-133 34 Saltsjöbaden (SE).</p> <p>(74) Agents: WIDEBERG, Olle et al.; Telefonaktiebolaget LM Ericsson, Patent Dept., S-126 25 Stockholm (SE).</p>	<p>(81) Designated States: AL, AM, AT, AU, AZ, BA, BB, BG, BR, BY, CA, CH, CN, CU, CZ, DE, DK, EE, ES, FI, GB, GE, GH, HU, ID, IL, IS, JP, KE, KG, KP, KR, KZ, LC, LK, LR, LS, LT, LU, LV, MD, MG, MK, MN, MW, MX, NO, NZ, PL, PT, RO, RU, SD, SE, SG, SI, SK, SL, TJ, TM, TR, TT, UA, UG, UZ, VN, YU, ZW, ARIPO patent (GH, KE, LS, MW, SD, SZ, UG, ZW), Eurasian patent (AM, AZ, BY, KG, KZ, MD, RU, TJ, TM), European patent (AT, BE, CH, DE, DK, ES, FI, FR, GB, GR, IE, IT, LU, MC, NL, PT, SE), OAPI patent (BF, BJ, CF, CG, CI, CM, GA, GN, ML, MR, NE, SN, TD, TG).</p> <p>Published With international search report.</p>	

(54) Title: DEVICE AND METHOD FOR COMMUNICATION BETWEEN A DATA NETWORK AND A TELECOMMUNICATIONS NETWORK



(57) Abstract

The present invention relates to a service node between Internet networks and a telecommunications network, said node being used to order telephony services by means of HTML pages from a computer having a WWW browser. The invention also relates to a method for calling a B subscriber, in which the call is ordered from the computer but the connection is set up between the telephones of the A and B subscribers' telephones. The service node communicates with computers connected to computer networks using the HTTP protocol. The node stores data related to a subscriber; said data can be used when the user requests a telephony service. The node is centrally located, which enables the use of its services even if the user moves to another location and terminal.

DEVICE AND METHOD FOR COMMUNICATION BETWEEN A DATA NETWORK
AND A TELECOMMUNICATIONS NETWORK

TECHNICAL FIELD

5 The present invention relates to a communication node between data networks and public telecommunications networks.

STATE OF THE ART

Such a communication node between data and telecommunications
10 networks is disclosed in, for example, WO 94/24803. This document describes such a node in a multimedia communication system. The object of the node is to enable communication between users using different types of terminals, such as common telephones, personal computers and workstations.

15

The published international patent application WO 87/078001 describes a node constituting an electronic mailbox. The object is for the mailbox to be able to receive and store electronic mail sent from different types of sources, such as telephones,
20 computers and fax machines. Messages may have been translated before they reach the mailbox. The electronic letters may subsequently be retrieved from different types of terminals.

Some different types of network architecture for establishing a link between data networks and telecommunications networks are described comprehensively in a report of a final thesis at Luleå Institute of Technology: "Functional Distribution between Co-operating Networks", Bodin and Andreasson. The report briefly describes the design of a node between data networks and telecommunications networks, used to demonstrate the ordering of telephony services from a computer. A user is enabled to order telephony services presented on the computer screen via pages in HTML format. The node consists of a computer with an off-the-shelf software platform.

SUMMARY OF THE INVENTION

The present invention attacks the problem of simplifying the use of telecommunications services for a user by offering a solution with which such telecommunications services in public and private telecommunications networks may be made accessible through a computer. In particular this applies to the ordering from a computer of the set-up of a telecommunications connection between an A subscriber and a B subscriber.

The telecommunications services of today are becoming more and more advanced. The new services are perceived as difficult to

use since conventional telephones are only provided with a primitive keypad allowing the user to enter commands or provide data. The telephone also has very limited possibilities for providing visual information.

5

With the new services, the need also arises to be able to adapt some of the services according to the user's desires. Thus the need for several alternative solutions for exchanging information with the user is further increased.

10

Another problem is avoiding having to equip the user's computer with special software to enable the ordering of telecommunications services from it. It should be sufficient for the computer to be provided with prior art software for communication, and said software should also be useful for other purposes than for ordering telephony services.

15

A further problem is that the user should have access to personal stored information concerning telecommunications services even if he/she moves geographically and changes computer and telephone equipment.

20

A purpose of the present invention is thus to enable a user to order telecommunications services, especially connection of calls, by means of a computer, in a way that is simple for the user and to provide subscriber related data that can be used
5 for this purpose, and to give access to these telecommunications services and this user related data even if the user moves geographically and to another telephone and/or computer.

10 A service node is provided, constituting a link between the data network and the telecommunications network. The service node has an interface to a telephone exchange through which public and private telecommunications networks can be accessed. The service node also has a WWW interface through which a
15 communication connection to a computer can be established through a data network using the HTTP protocol. The computer is equipped with a WWW browser and receives data in HTML format from the service node. The data is presented on a screen connected to the computer, in the form of pages comprising,
20 among other things, active fields. A user requests a service using said active fields by means of the computer. The service node receives the request for a telephony service or programming of subscriber related data from the computer in

order for the data to be registered by the service node. The service node performs the requested service and sends the result to the computer in a new HTML page, which is presented to the user on the screen.

5

The service node is comprised of a web server, a personal assistant and a service node selector. The personal assistant constitutes a control and supervision part of the service node and communicates both with the service node selector and the web server.

The personal assistant handles various subscriber services.

The personal assistant controls the service node selector, which is connected to telecommunications and mobile telecommunications networks.

The personal assistant can, by means of the service node selector, make outgoing calls, receive calls and interconnect incoming and outgoing calls.

The personal assistant stores information associated with a user. The user can retrieve and store personal information by

means of a computer telecommunications terminal of his/her
choice or.

A user can log in to the service node from a computer with a
5 WWW browser. The web server handles the communication with the
computer by transmitting WWW pages in the mark-up language
HTML, said pages being presented on the user's computer. The
user may enter commands using active fields in the presented
HTML page. The commands are transmitted to the web server using
10 the HTTP protocol. The commands are forwarded by the web server
to the personal assistant.

The personal assistant makes sure the command is executed. The
result is then transmitted to the web server, which generates a
15 new HTML page presenting the result of the command to the user.

The invention makes it possible to simplify the user control of
telephony services by means of a computer.

20 The invention may be utilized by several users as the protocol
used for communication with the service node is found in most
network connected computers. Programs such as WWW browsers are
widely deployed in network connected computers.

The invention enables the storage of data associated with a user in a central node. This data is accessible to the user and may be changed even if the user moves to a different location and uses different terminals. The stored data may be used when a telephone connection with a B subscriber is being set up.

Accordingly, in one aspect, the invention provides a service node constituting a link between a computer network, in which the HTTP protocol is used, and at least one telecommunications network. The service node is used to request a telecommunications service from an A subscriber's computer through the data network. The service node comprises: a web server for providing for an A subscriber to authenticate for communication with said computer through the computer network using the HTTP protocol. A service node selector is connected to at least one telecommunications network to set up two separate connections in the telecommunications network, one of which connects a telecommunications terminal belonging to the A subscriber and the other connecting a telecommunications terminal belonging to a B subscriber, in order to subsequently interconnect the two connections. A personal assistant device has a communication connection to the service node selector, said personal assistant constituting the unit handling the request for a communication service and ensuring it is performed by controlling the service node selector at least partly in dependence of pre-programmed user data.

7a

The invention will in the following be described in more detail by way of preferred embodiments and with reference to the enclosed drawings.

BRIEF DESCRIPTION OF THE DRAWINGS

Fig. 1 shows a protocol stack known per se, used in the Internet

Fig. 2 shows a schematic block diagram of units comprised in the communication system of which the invention is part.

Figures 3, 4, 5 are sequence diagram of the signalling between the parts of the system.

Figure 6 is a flow chart of the method for connection.

DESCRIPTION OF THE ANNEX

The annex contains the complete syntax of the application protocol which constitutes part of the invention.

5 DESCRIPTION OF PREFERRED EMBODIMENTS

The Internet is an important precondition for the applicability of the present invention and will therefore be described briefly here. The Internet in this context means any data network using a protocol stack having an Internet Protocol (IP) layer. Upon the IP another protocol, the Transmission Control Protocol (TCP) is used. These two protocol layers are shown in Figure 1. The IP protocol may be used in different types of physical data networks, hence Figure 1 does not show the protocols below the IP layer. Also, different protocols for different types of applications may be added on top of the TCP layer. Figure 1 shows the HTTP protocol on top of the TCP, since this protocol is used in the application of the present invention.

20 On the HTTP protocol data can be transferred in the mark-up language Hyper Text Meta Language (HTML). In a computer PC, for example, a personal computer or a mainframe computer with user terminals, with WWW browser software, for example Netscape

Navigator or Mosaic, received data is presented according to its HTML format on the screen in the form of pages comprising pictures, graphics and text. The presented HTML pages also comprise so called active fields by means of which the users
5 can request different types of services. The active fields are made up of buttons, fields for entering text, and hypertext links. The user may, for example using a mouse connected to the computer, move a cursor over the page to place it on a button or a hyper text link and then press a mouse button. This will
10 in the following be referred to as clicking a button or a hyper text link, respectively. In this way a command is transferred to another computer, a so called web server connected to the data network, on the HTTP protocol. The command may cause a new HTML page to be transmitted to the user's computer PC where it
15 is presented, or a search for information to be started in a database. The result of said search will be presented to the user on a new HTML page.

Figure 2 is an overview of the communication system in which
20 the method according to the invention is applied. The apparatus according to the invention is comprised of a service node SN.

The service node SN has a WWW interface for communication in data networks using the HTTP protocol. The service node SN has another interface towards a telephone exchange, which is shown in Figure 2 as a private branch exchange PBX, but may also be
5 another type of exchange. Through the exchange PBX connections may be established in public or private telecommunications networks. It is also possible to connect the service node SN directly to a telecommunications network without an exchange therebetween. In the description below only the case in which
10 the communication with a telecommunications network is set up through an exchange is shown. In Figure 2 two public telecommunications networks are shown: a conventional Public Services Telephone Network (PSTN) and a cellular mobile telecommunications network PLMN. It is also possible to connect
15 to other types of telecommunications networks than the ones shown in Figure 2, such as Integrated Services Digital Network (ISDN) or private telecommunications networks. To each of the telecommunications networks a number of telephones, mobile telephones, telefaxes and other types of telecommunications
20 terminal are connected. Figure 2 only shows one telephone AT and one mobile telephone MSA belonging to an A subscriber, and a telephone BT and a mobile telephone MSB belonging to a B subscriber.

The A subscriber also has access to a computer PC. The computer PC may be a personal computer with units for user communication such as a screen, a mouse and a keyboard, or a mainframe
5 computer having a user terminal. The computer is provided with a WWW browser and connected to a data network in which the TCP/IP and HTTP protocols are used, in a conventional way. Figure 2 shows this data network as a cloud referenced as DN.

10 The service node SN is comprised of three parts: a web server WS, a personal assistant PA and a service node selector SNS.

The web server handles the communication with the computer PC by generating HTML pages, which are then transferred to the
15 computer through the data network DN. The user requests a service using the above described active fields in these pages. When the A subscriber has entered text or clicked a button or a hypertext link, a command specifying the requested service is sent from the computer PC to the web server WS, using the HTTP
20 protocol. The web server transfers the command on to the personal assistant PA. The web server WS and the personal assistant communicate by means of an application protocol. The application protocol uses TCP/IP for transport and thus

constitutes a protocol layer on top of TCP/IP. The protocol implies that commands and other information being exchanged between different computers use an established syntax in order to be interpreted in the same way in the different computers.

5 This means that computers having different operating systems and software written in different programming languages, can communicate with each other. In this way the web server WS and the personal assistant PA, both constituting parts of the present service node, may be computers from different vendors.

10 The complete syntax of the application protocol is described in the annex.

The personal assistant PA is the control unit of the service node. The personal assistant handles the command transmitted

15 from the computer PC and makes sure it is executed. If the command from the computer PC, received by the personal assistant PA implies that a service is to be performed in one of the telecommunications networks PSTN, PLMN, the personal assistant PA orders the service node selector SNS to set up a

20 connection with the appropriate network. The personal assistant then performs the steps required to perform the requested service. The command from the computer PC received by the personal assistant PA may also imply that the personal

assistant PA is to provide or store information, for example programming of user data. When the personal assistant PA has performed, or failed in performing, a requested service, the personal assistant PA transmits the result to the web server, 5 which enters the result into an HTML page and forwards it to the computer PC, which presents it to the A subscriber.

The service node selector SNS is able to set up connections to the telecommunications networks PSTN, PLMN, upon orders from 10 the personal assistant PA. The service node selector is also able to connect to existing connections, upon orders from the personal assistant. As described below, this function will be utilized in the present method.

15 The commands exchanged between the computer PC, the telephone AT of the A subscriber, the web server WS of the service node, the personal assistant PA of the service node, the service node selector SNS of the service node, the private branch exchange PBX, the public network PSTN and the telephone BT of the B 20 subscriber, when a service is requested by the A subscriber, are shown in Figures 3, 4 and 5.

Figure 3 shows the login procedure to the service node SN. The user has first retrieved a presentation page from the service node SN, using his computer PC. In this page, the user enters his identity and password in fields intended for this
5 information. This data is then transmitted to the web server WS with a login request. The request is approved after the web server has checked and verified the identity and password by a query to the personal assistant PA. The web server WS then transmits a new page to the computer PC comprising an index of
10 available services and data, a so called index page.

In the obtained index page, the user clicks on a hypertext link to request user programming in the personal assistant PA.

Programming of user data involves the A subscriber changing or
15 adding information related to the user, which is stored in the personal assistant PA. Programming of user data is necessary for the personal assistant to know what telecommunications terminal the A subscriber intends to use. If the A subscriber wishes to change the telecommunications terminal, this is done
20 by reprogramming the user data in the personal assistant. The A subscriber can also register the names and identities of other telecommunications subscribers, with photos if desired, to facilitate the ordering of telephone services. This data can

thus constitute a personal telephone directory for the A subscriber. It is also possible to register telecommunications commands in the personal assistant to facilitate their use.

Names, identities and other information registered can be used
5 as hypertext links or active fields, when presented to the user on an HTML page, to facilitate making calls or using the data in another way.

Figure 4 shows signal sequences in user programming when the A
10 subscriber changes his own telephone AT. The request is transferred through the data network DN to the web server WS which in turns forwards the request to the personal assistant PA. The personal assistant, in which the user data is stored, transmits a set of parameters to the web server WS. The web
15 server enters the parameters into an HTML page and transmits the page to the computer PC. In the present example the A subscriber wishes to change his telephone. If the identity of the new telephone is already stored in the personal assistant PA and registered on the parameter page, the A subscriber can
20 enter a new telephone by, for example, clicking on the hypertext link of the new telephone. If the telephone to which the A subscriber wishes to change is not registered, the identity of the new telephone, the A number, is entered in a

field intended for this information on the parameter page. The request for a new A number is received by the web server WS, which forwards the request to the personal assistant PA. The personal assistant registers the new A number and then

5 transmits a new set of data to the web server. The web server WS enters this data in a new parameter page in HTML format which is transmitted to the computer PC. The telephone to which the service node SN will connect the A subscriber's calls is then presented to the A subscriber on the screen of the

10 computer PC.

The A subscriber can retrieve the index page stored in the computer PC after login. The user requests the set-up of a telephone connection between his own telephone AT and a B

15 subscriber's telephone, for example by typing in the B number in a field on the index page intended for this information. It is, however, easier for the user if the B number is already stored in the above described personal telephone directory. The telephone directory may either have come with the index page or

20 be retrieved to the computer PC in HTML format from the personal assistant PA through the web server WS in the same way as the data page. From the telephone directory the A subscriber requests a call by, for example, on his computer, clicking on a

hypertext link with the B subscriber's name. Figure 6 shows the procedure when a call is made. In the first block 1 the A subscriber requests the B subscriber to be called, from his computer PC, in any of the above described ways. Figure 5 shows the signalling sequence when a call is made. The request to call the B subscriber is transferred from the computer PC to the web server WS, which forwards the request to the personal assistant PA, which is also shown in step 2 in Figure 6.

10 The personal assistant PA orders the service node selector SNS to call the A subscriber's telephone AT. The service node selector calls the telephone AT through the exchange PBX and the public network PSTN, corresponding to step 3 in Figure 6.

15 When the A subscriber has answered, by lifting the hook of the telephone AT, step 4, the connection is set up between the personal assistant and the A subscriber through the public telecommunications network PSTN, the exchange PBX and the service node selector SNS. The personal assistant PA then

20 orders the service node selector to call the B subscriber's telephone BT. The service node selector SNS sets up a connection to the B subscriber's telephone in the same way as with AT, as represented by step 5. When the B subscriber has

answered, in step 6, the personal assistant PA orders the service node selector SNS to connect the two connections. In this way a connection between the two telephones AT and BT is established, see step 7 in Figure 6.

5

The procedure would have been interrupted after a certain period of time if one of the parties had not answered, see steps 4 and 6. The personal assistant PA transfers the result of the set-up, or the failed set-up, to the web server WS, which transfers it, in HTML format, to the computer PC, where it is presented to the A subscriber. This is shown in the final step 8 in Figure 6.

The method for connection set-up described above can also take place in modified ways. The set-up of connections for calling the A subscriber and the B subscriber, respectively, can take place in a different order than the one described above, and independently of whether or not the other party has answered the call. Interconnection of the two connections can be made even if one of the parties has not answered the call.

For example, in a modified embodiment, the connection between the service node and a B subscriber may be established

independently of whether or not the call made to the A
subscriber's telephone was answered.

The method can also be modified to let the B subscriber be
5 called before the A subscriber.

In another modified embodiment the connection to the A
subscriber and the connection on which the B subscriber's
telephone is being called, are interconnected.

10

A further modification, for the case when the B subscriber
answers the call first, consists of the service node
interconnecting the connection to the B subscriber and the
connection on which the A subscriber's telephone is being
15 called. For the cases when the B subscriber is the first to
answer the call, the service node provides a spoken message
that a call is being made from another subscriber.

The service node SN also handles incoming connections to the A
20 subscriber if call forwarding has been set up from the called
identity to the service node SN.

The A subscriber can, in the desired order and after logging in to the service node SN, reprogram user related data or request a telecommunications service, such as call set-up. Other telecommunications services handled by the service node SN are, 5 for example, electronic mail, transmission or reception of telefax, whereby the service node functions as a mailbox for e-mail, fax and voice messages.

The embodiments of the invention in which an exclusive property or privilege is claimed are defined as follows:

1. A method for setting up a telecommunications connection between a calling A subscriber and a B subscriber through a telecommunications network by means of a computer available to the A subscriber and provided with a WWW browser, said computer having access to a service node through a network in which the HTTP protocol is used, said service node receiving and processing orders for telephony services and for the registration of subscriber data and said A subscriber having access to at least one telecommunications terminal connected to the telecommunications network, the method comprising the steps of:

a) transmitting, to the computer of the A subscriber through the HTTP protocol, an offer of registration of subscriber data in the service node;

b) presenting, at the computer of the A subscriber, said offer in the shape of a HTML page, whereby the A subscriber, through active fields in the HTML page presented on the screen of the computer, sends a request of registering the data, which has been provided by the A subscriber, in the service node;

c) transmitting of in step b) said set of data by means of the computer and by means of the HTTP protocol to the service node, whereby said request and said set of data are forwarded within the service node through the application protocol after whereupon said set of data is registered;

d) transmitting, on request, a set of data in the HTML format from said service node to the A subscriber's computer, said data comprising an offer to call the B subscriber by means of the B subscriber's identity;

- e) presenting the set of data as an HTML page;
- f) requesting a call to said B subscriber by seeking access to said identity;
- g) transmitting said call request by means of the A subscriber's computer to said service node and by means of said HTTP protocol, said service node receiving said call request and forwarding it within the node by means of an application protocol;
- h) setting up a first connection, in reply to said call request, between the service node and the telecommunications network, said service node requesting a call to said telecommunications terminal used by the calling A subscriber;
- i) setting up a second connection between said service node and the telecommunications network, said service node requesting a call to the B subscriber's telecommunications terminal; and
- j) interconnecting the connections established according to steps h) and i) when at least one of the called A and B subscribers has answered the call, for connection between said A and B subscribers.

2. The method according to claim 1, wherein a second connection according to step i) is not set up until the A subscriber has answered said call.

3. The method according to claim 2, wherein the first and second connections are set up only after the B subscriber has answered the call.

4. The method according to claim 1, wherein the setting up of said first connection takes place according to step e) but the call is requested to the B subscriber's terminal

and the setting up of said second connection takes place according to step f) but that the call is requested to the A subscriber's terminal.

5. The method according to any one of claims 1 to 4, wherein the two connections are interconnected only after the A subscriber has answered the call.

6. The method according to any one of claims 1 to 4, wherein the command entered by the A subscriber under step b) provides an instruction as to what telecommunications terminal the A subscriber intends to use.

7. The method according to claim 6, wherein the identity of said telecommunications terminal has been previously registered in the service node upon a command from the A subscriber.

8. The method according to claim 6, wherein the command entered by the A subscriber under step d) comprises data about the identity of the B subscriber.

9. The method according to any one of claims 1 to 6, wherein the A subscriber logs in to the service network SN using a password by typing it in a field intended for this information on an HTML page before the request to call the B subscriber, or the user programming, can be processed.

10. The method according to any one of claims 1 or 4, wherein the service node, after receiving and processing a request for connection, transfers the result of the set-up procedure to the computer in an HTML format.

11. A service node constituting a link between a computer network, in which the HTTP protocol is used, and at least one telecommunications network, said service node being used to request a telecommunications service from an A subscriber's computer through the data network, the service node comprising:

a) a web server providing for an A subscriber to authenticate for communication with said computer through the computer network using the HTTP protocol;

b) a service node selector connected to at least one telecommunications network to set up two separate connections in the telecommunications network, one of which connects a telecommunications terminal belonging to the A subscriber and the other connecting a telecommunications terminal belonging to a B subscriber, in order to subsequently interconnect the two connections; and

c) a personal assistant device having a communication connection to the web server and a communication connection to the service node selector, said personal assistant constituting the unit handling the request for a communication service and ensuring it is performed by controlling the service node selector at least partly in dependence of pre-programmed user data.

12. The service node according to claim 11, wherein the personal assistant comprises a memory space for storing user-related data.

13. The service node according to claim 12, wherein memory space of the personal assistant is used for storing the identity of the A subscriber's terminal, to enable the establishment of a telecommunications connection with the A subscriber's terminal.

14. The service node according to claim 13, wherein the memory space of the personal assistant is used for storing the identity of the B subscriber's terminal, to enable the establishment of a telecommunications connection with the B subscriber's terminal.

$1/5$

HTTP
TCP
IP

Fig 1

2/5

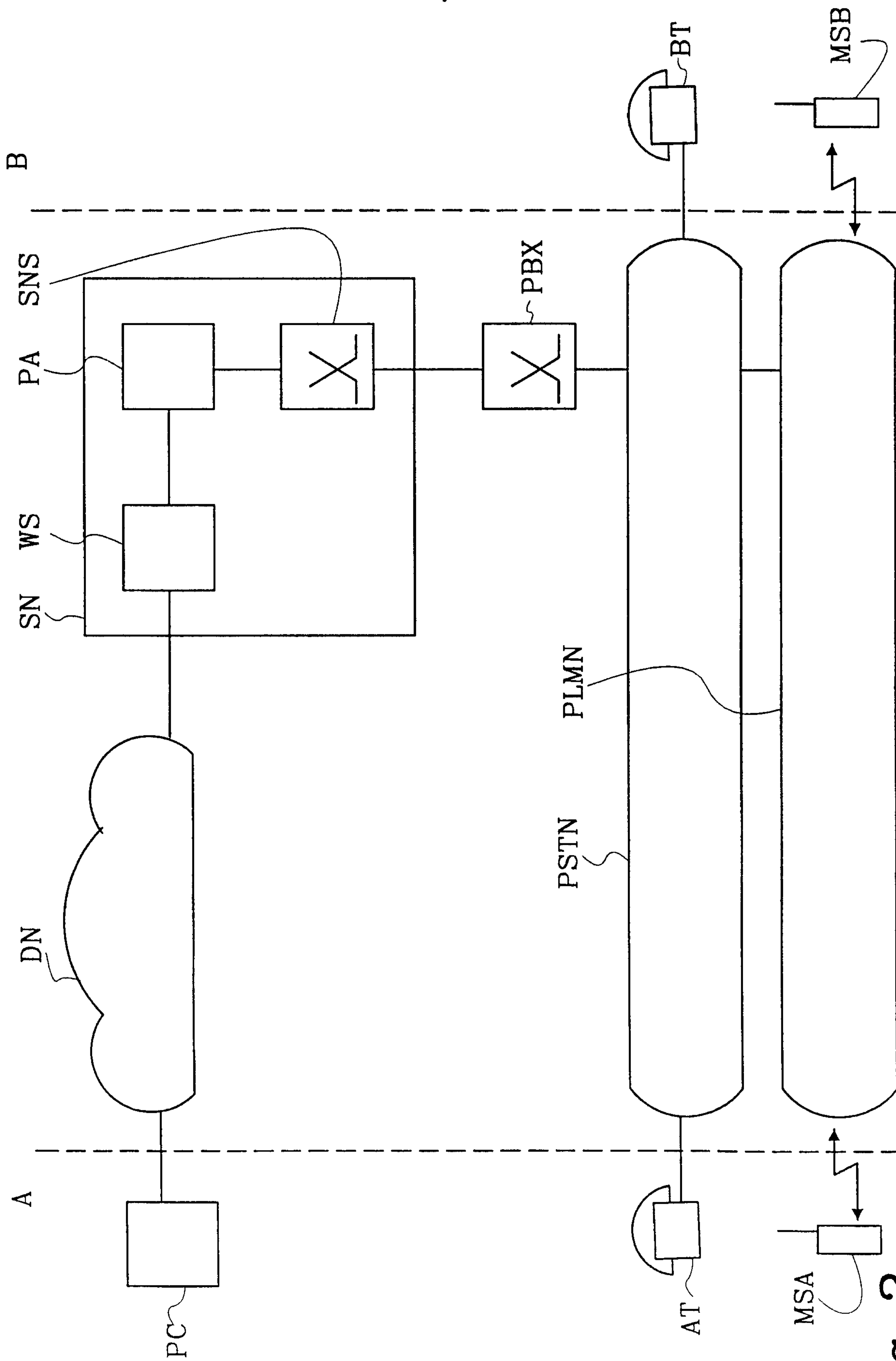
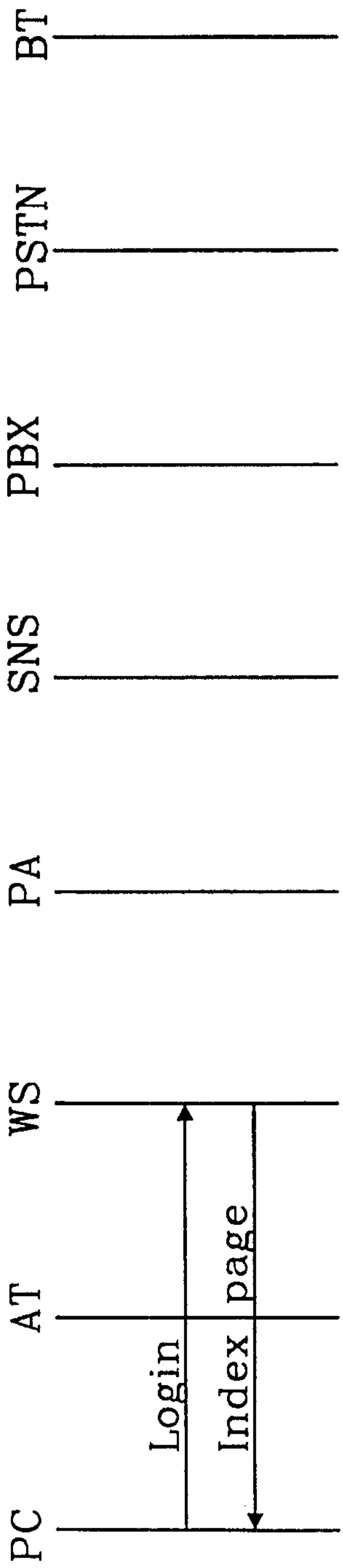


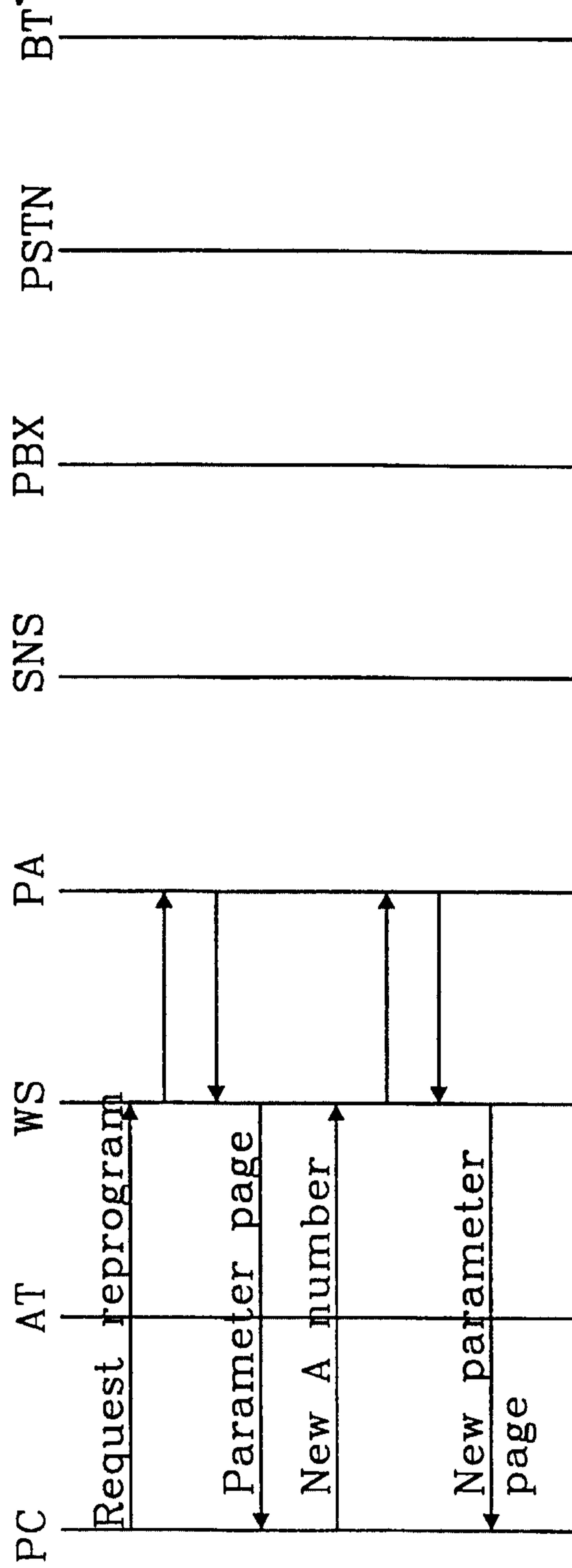
Fig 2



Login to SN

Fig 3

3/5



User programming

Fig 4

4/5

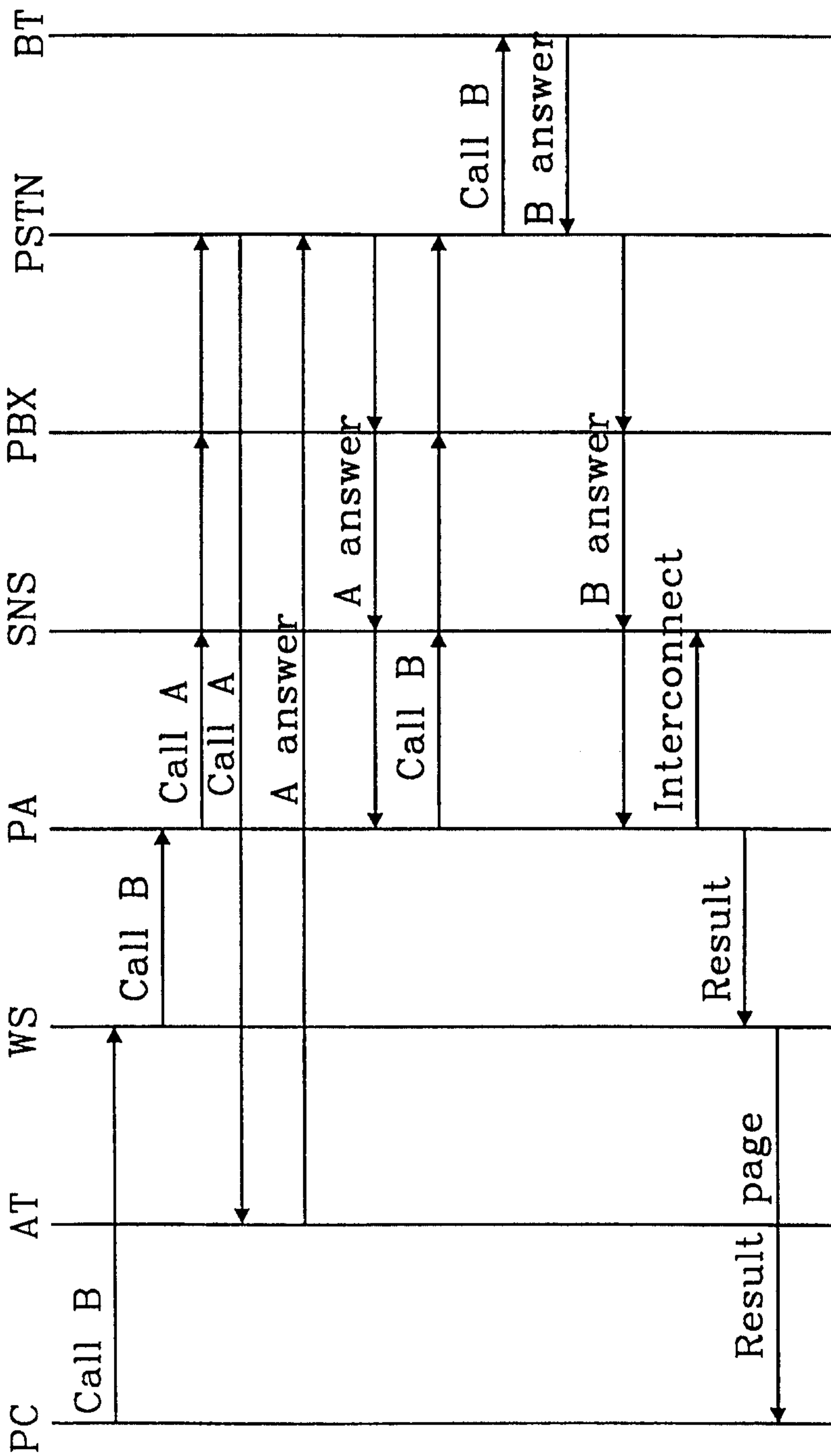


Fig 5

5/5

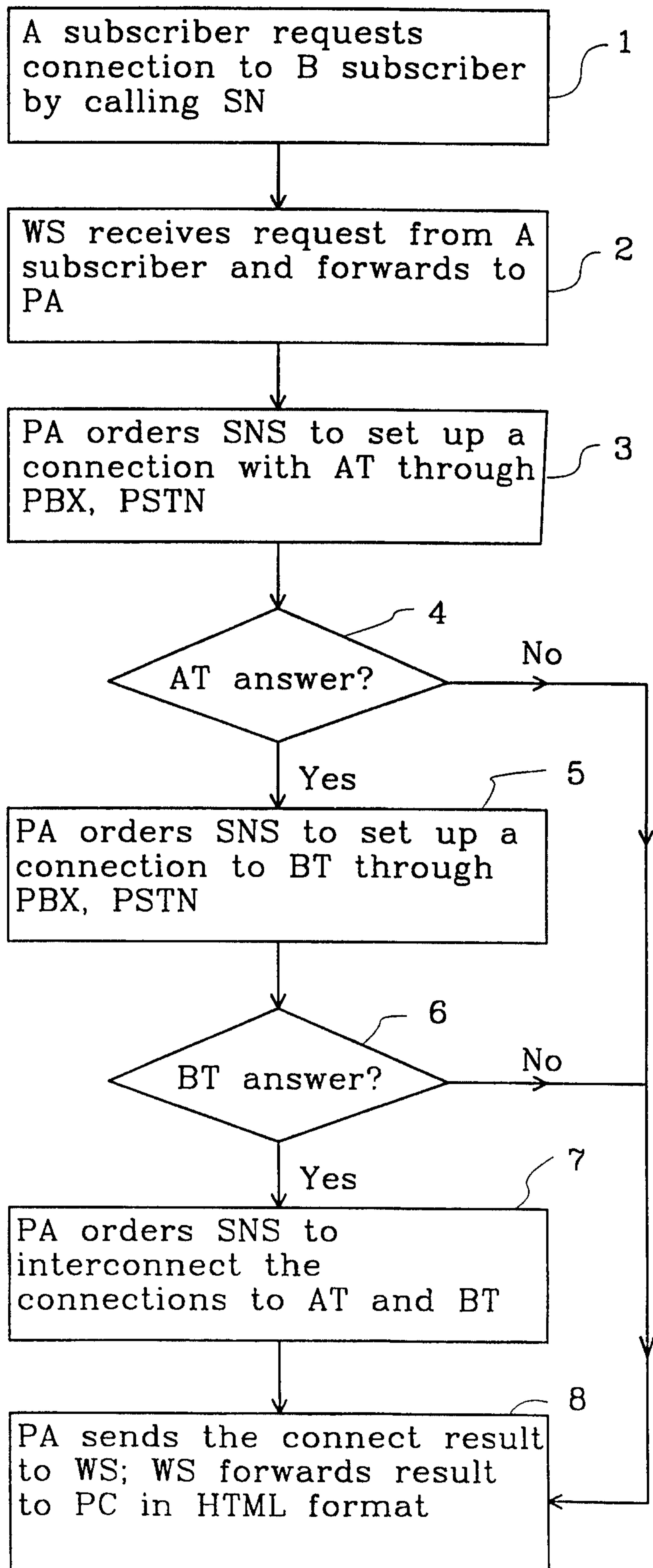


Fig 6

