



US00D726934S

(12) **United States Design Patent**
Reurtherdal et al.

(10) **Patent No.:** **US D726,934 S**

(45) **Date of Patent:** **** Apr. 14, 2015**

(54) **DIVIDING BLOCK**
(71) Applicant: **ØPD Group AS**, Stathelle (NO)
(72) Inventors: **Øyvind Reurtherdal**, Stathelle (NO);
Kjell Roar Skaugen, Stathelle (NO)

(73) Assignee: **ØPD Group AS**, Stathelle (NO)

(**) Term: **14 Years**

(21) Appl. No.: **29/436,261**

(22) Filed: **Nov. 2, 2012**

(30) **Foreign Application Priority Data**

May 4, 2012 (NO) 20120427

(51) **LOC (10) Cl.** **25-02**

(52) **U.S. Cl.**
USPC **D25/38.1**

(58) **Field of Classification Search**
USPC D25/38.1, 199, 113, 119; D21/483;
404/6-15; 256/13.1

See application file for complete search history.

(56) **References Cited**

U.S. PATENT DOCUMENTS

D444,186 S * 6/2001 Tagg D21/483
D569,992 S * 5/2008 Christensen et al. D25/38.1
2003/0219308 A1 * 11/2003 Boulais et al. 404/6
2004/0057790 A1 * 3/2004 Tagg 404/6

2006/0115326 A1 * 6/2006 Carey 404/6
2007/0098490 A1 * 5/2007 Christensen 404/6
2007/0110517 A1 * 5/2007 Wasserstrom et al. 404/6
2008/0286041 A1 * 11/2008 Yodock et al. 404/6
2009/0110480 A1 * 4/2009 Yodock et al. 404/6
2010/0111602 A1 * 5/2010 Yodock et al. 404/6
2010/0196094 A1 * 8/2010 Kulp et al. 404/6
2010/0296864 A1 * 11/2010 McKenney et al. 404/6

* cited by examiner

Primary Examiner — Thomas Johannes

Assistant Examiner — Khawaja Anwar

(74) *Attorney, Agent, or Firm* — Fish & Richardson P.C.

(57) **CLAIM**

The ornamental design of a dividing block, substantially as shown and described.

DESCRIPTION

FIG. 1 is a perspective view of a dividing block, showing our new design.

FIG. 2 is a left end view thereof.

FIG. 3 is a right end view thereof.

FIG. 4 is a front view thereof.

FIG. 5 is a rear view thereof.

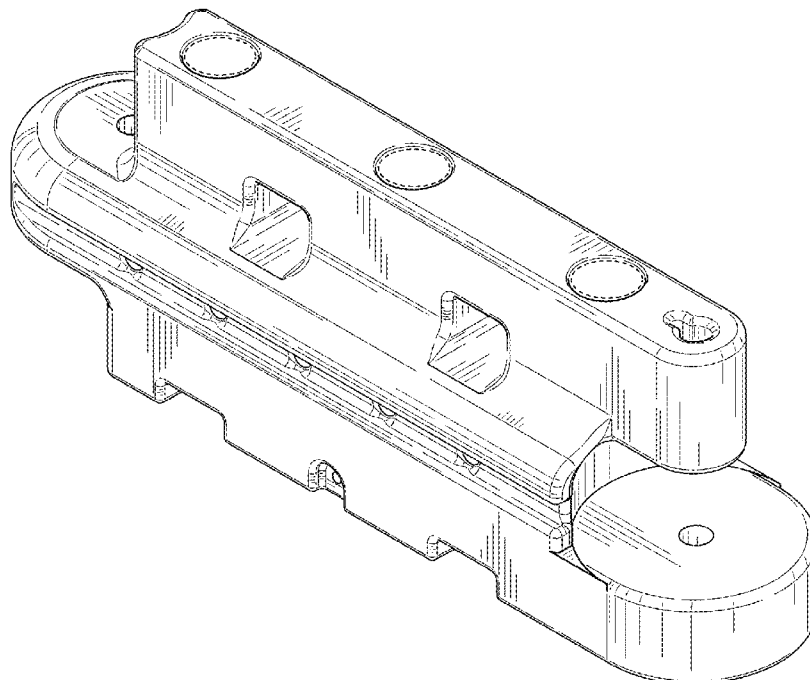
FIG. 6 is a top view thereof.

FIG. 7 is a bottom view thereof; and,

FIG. 8 is a top view thereof, showing the dividing block in a usage condition.

The broken lines in the drawing show unclaimed environment that forms no part of the claimed design.

1 Claim, 4 Drawing Sheets



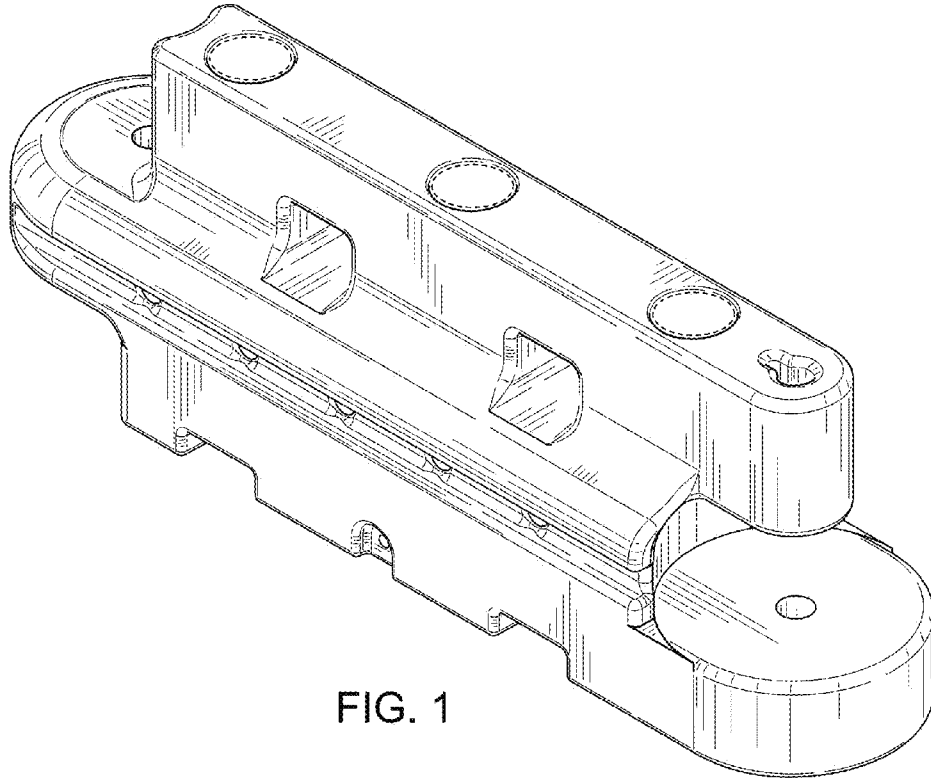


FIG. 1

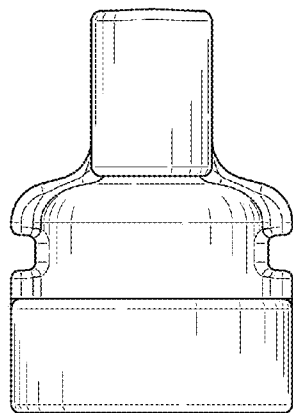


FIG. 2

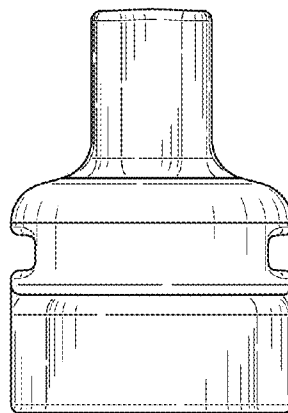


FIG. 3

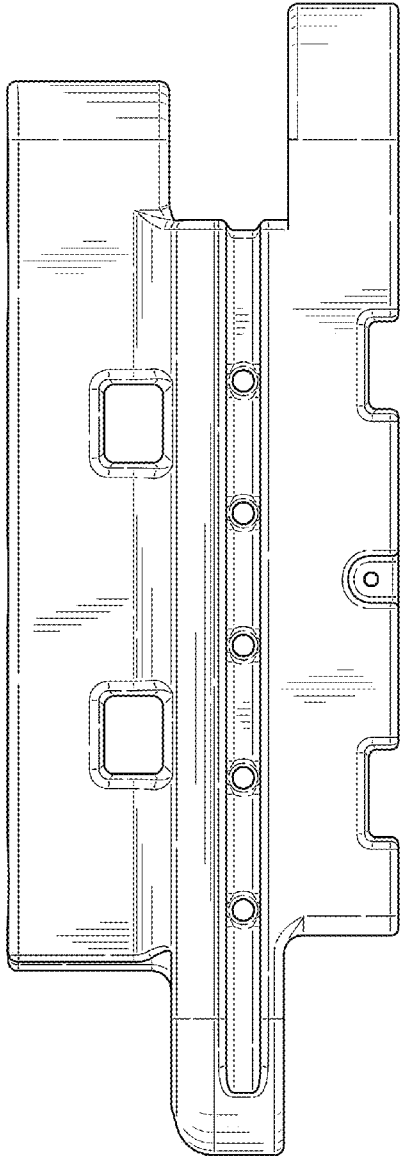


FIG. 4

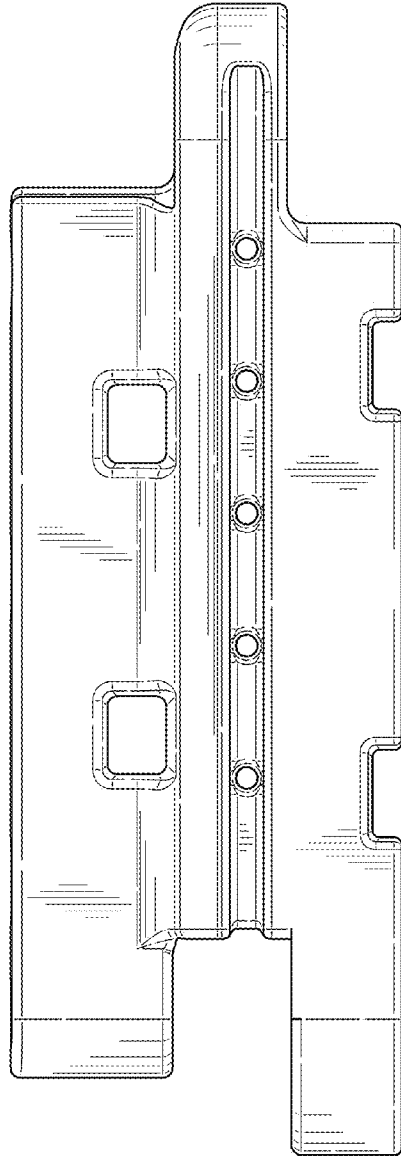


FIG. 5

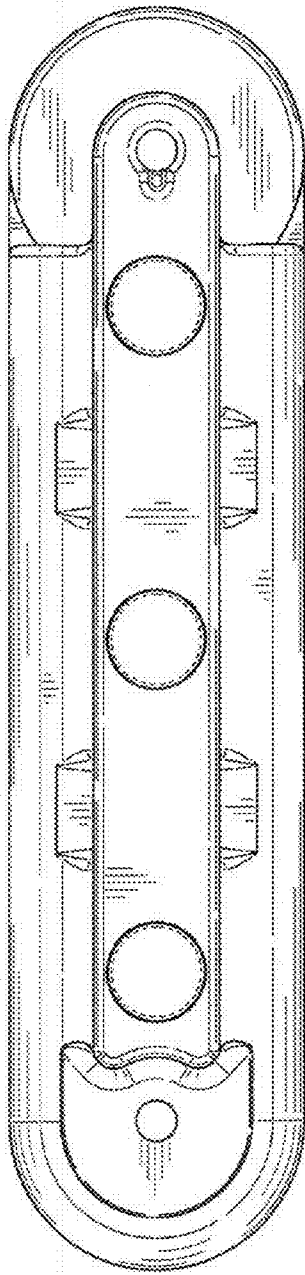


FIG. 6

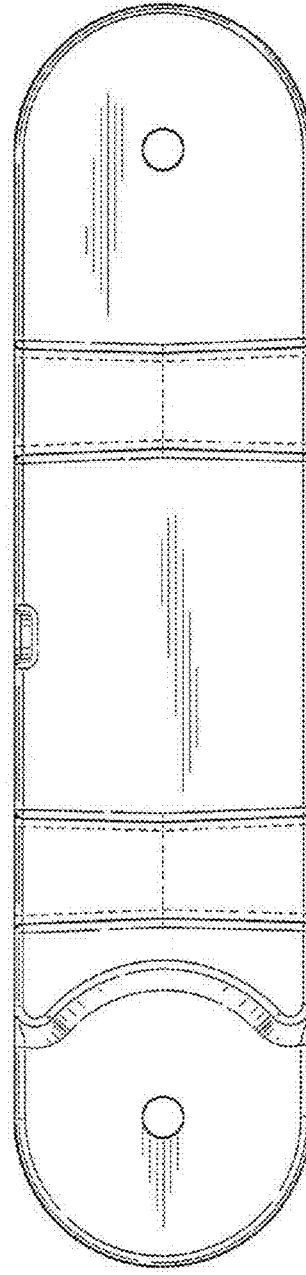


FIG. 7

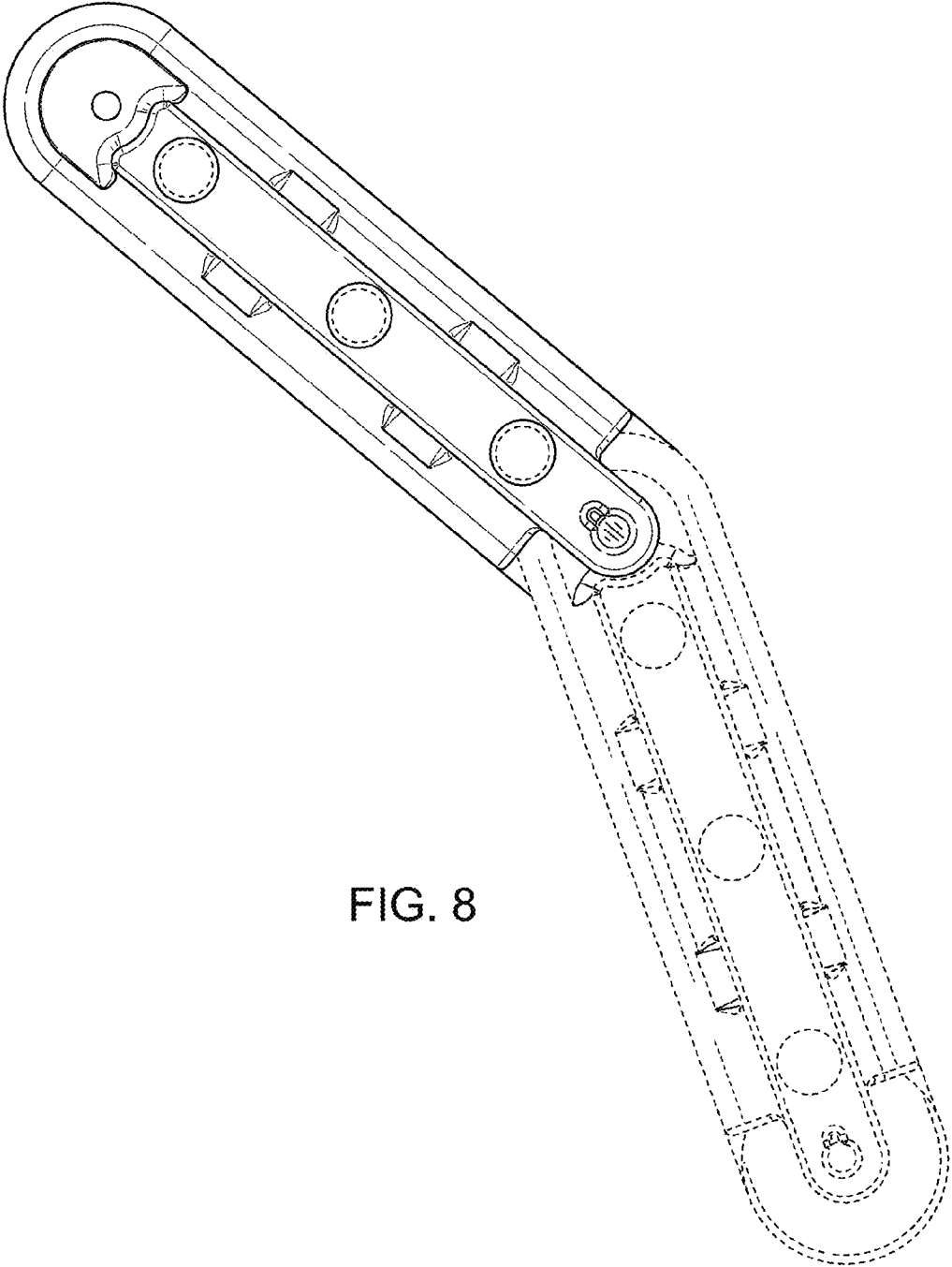


FIG. 8