



US00D719552S

(12) **United States Design Patent**
Anderson

(10) **Patent No.:** **US D719,552 S**

(45) **Date of Patent:** **** Dec. 16, 2014**

(54) **BINAURAL MICROPHONE**

(71) Applicant: **Jeffrey Anderson**, Vancouver, WA (US)

(72) Inventor: **Jeffrey Anderson**, Vancouver, WA (US)

(**) Term: **14 Years**

(21) Appl. No.: **29/456,777**

(22) Filed: **Jun. 4, 2013**

(51) **LOC (10) Cl.** **14-01**

(52) **U.S. Cl.**

USPC **D14/225**; D14/508

(58) **Field of Classification Search**

CPC H04R 5/027; H04R 5/033; H04R 29/00;
H04R 25/552; H04R 5/00

USPC D14/155, 158, 159, 185, 186, 188–192,
D14/203.1, 203.2, 204–207, 210, 212,
D14/214–221, 223, 224, 225–229, 240, 251,
D14/416, 496, 508; D21/539, 578, 658,
D21/659, 661; D15/199; 379/175, 430;
381/26, 151, 1, 56, 70, 71.6, 74, 110,
381/113, 120, 122, 173, 174, 345, 375;
704/211

See application file for complete search history.

(56) **References Cited**

U.S. PATENT DOCUMENTS

| | | | | | |
|-----------|------|---------|------------------|-------|----------|
| 3,894,196 | A * | 7/1975 | Briskey | | 381/23.1 |
| 4,068,091 | A * | 1/1978 | Doi | | 381/26 |
| 4,308,426 | A * | 12/1981 | Kikuchi | | 181/198 |
| 4,819,270 | A * | 4/1989 | Lombardo | | 381/26 |
| 5,031,216 | A * | 7/1991 | Gorike et al. | | 381/26 |
| 5,073,936 | A * | 12/1991 | Gorike et al. | | 381/26 |
| 5,583,942 | A * | 12/1996 | van den Berg | | 381/26 |
| 6,402,782 | B1 * | 6/2002 | Sibbald et al. | | 623/10 |
| D611,925 | S * | 3/2010 | Miyazaki | | D14/167 |
| D623,172 | S * | 9/2010 | Kondo et al. | | D14/227 |
| 8,204,246 | B2 * | 6/2012 | Marton | | 381/91 |
| D707,207 | S * | 6/2014 | Cooper et al. | | D14/225 |
| D708,600 | S * | 7/2014 | Trewartha et al. | | D14/225 |

| | | | | | |
|--------------|------|--------|---------------|-------|---------|
| 2006/0126855 | A1 * | 6/2006 | Geiger et al. | | 381/56 |
| 2014/0180684 | A1 * | 6/2014 | Strub | | 704/211 |
| 2014/0185814 | A1 * | 7/2014 | Cutler | | 381/26 |
| 2014/0198918 | A1 * | 7/2014 | Li et al. | | 381/26 |

OTHER PUBLICATIONS

The use of 3D-audio in a multi-modal (Binaural/stereoscopic camera—image from 2006).rs2007.limsi.fr [online] p. 3 of 8. Posted Oct. 30, 2007 [retrieved on Aug. 6, 2014]. Retrieved from Internet: <http://rs2007.limsi.fr/index.php/The_use_of_3D-audio_in_a_multi-modal_Teleoperation_platform_for_remote_driving/supervision>.*

Cabeza Dummy Binaural DIY Prototype V1 (images posted 2013). www.inspektorgadget.com [online] 3 pages. Posted Aug. 2012 [retrieved on Aug. 6, 2014]. Retrieved from Internet: <http://www.inspektorgadget.com/es/binaural-diy-cabeza-dummy/>.*

Cabeza Dummy Binaural DIY Prototype V2 (images posted 2013). www.inspektorgadget.com [online] 3 pages. Posted Aug. 2013 [retrieved on Aug. 6, 2014]. Retrieved from Internet: <http://www.inspektorgadget.com/es/cabeza-dummy-binaural-v2/>.*

(Continued)

Primary Examiner — Susan Bennett Hattan

Assistant Examiner — Marie Fast Horse

(74) *Attorney, Agent, or Firm* — Dale J Ream

(57) **CLAIM**

The ornamental design for a binaural microphone, as shown and described.

DESCRIPTION

FIG. 1 is a perspective view of a binaural microphone showing my new design;

FIG. 2 is a front view thereof;

FIG. 3 is a back view thereof;

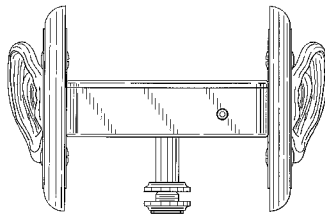
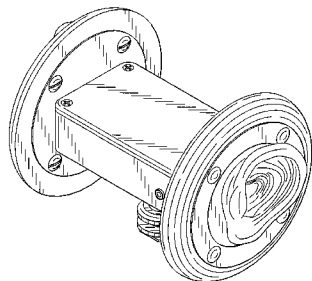
FIG. 4 is a left side view thereof;

FIG. 5 is a right side view thereof;

FIG. 6 is a top view thereof; and,

FIG. 7 is a bottom view thereof.

1 Claim, 5 Drawing Sheets



(56)

References Cited

OTHER PUBLICATIONS

Brochure "The Dummy Head—Theory and Practice", English. (George Neumann GmbH/Berlin). Neumann.com [online PDF] 28 pages. Uploaded Dec. 15, 2000 [retrieved on Aug. 6, 2014]. Retrieved from Internet: <http://www.neumann.com/?lang=en&id=current_microphones&cid=ku100_publications>.*
Binaural blue stereo mic with human ears (Otokinoki Binaural Mic). gadgets.boingboing.net [online] p. 1 of 3. Posted Jun. 16, 2008

[retrieved on Aug. 6, 2008]. Retrieved from Internet: <<http://gadgets.boingboing.net/2008/06/16/binaural-blue-stereo.html>>.*
IAF Visualresearch (Neumann KU100 Image 2007). robertosoldati.blogspot.com [online] p. 10 of 16. Posted Jan. 9, 2012 [retrieved on Aug. 6, 2014]. Retrieved from Internet: <http://www.microsoft-translator.com/BV.aspx?ref=IE8Activity&a=http%3A%2F%2Frobertosoldati.blogspot.com%2F2012_01_01_archive.html>.*

* cited by examiner

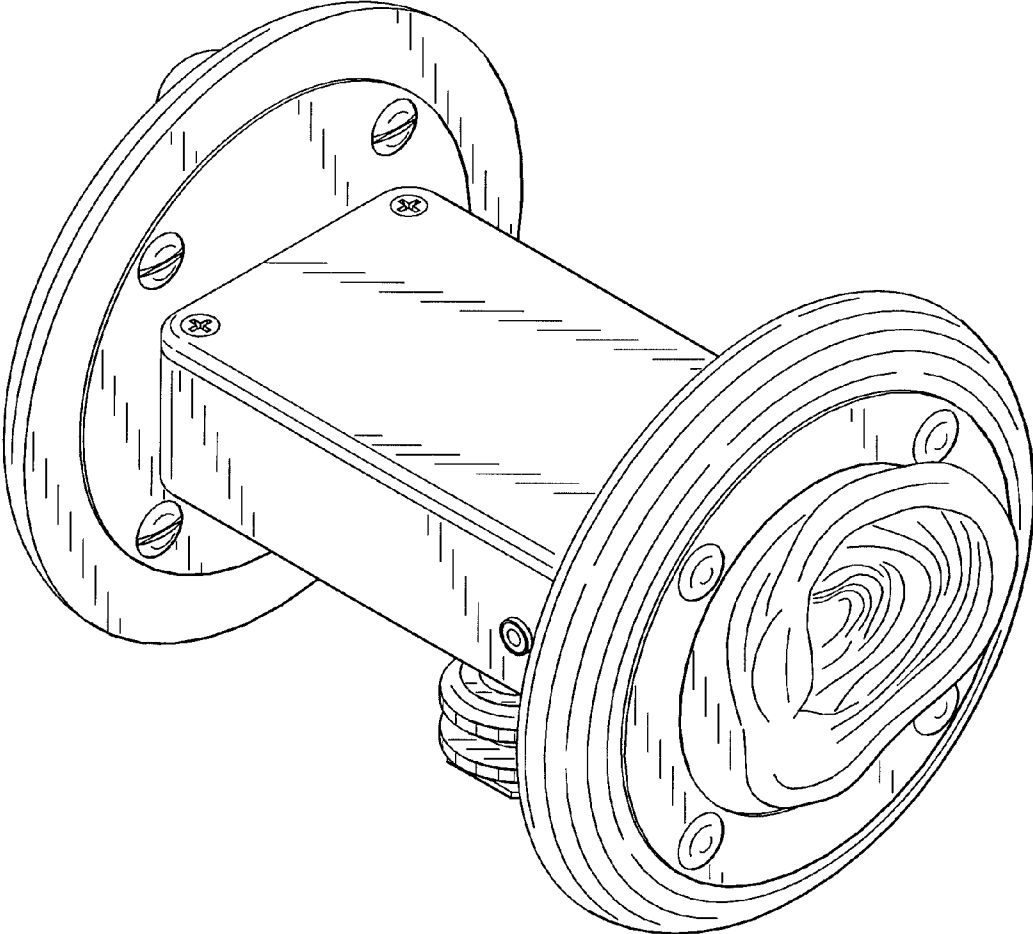


FIG. 1

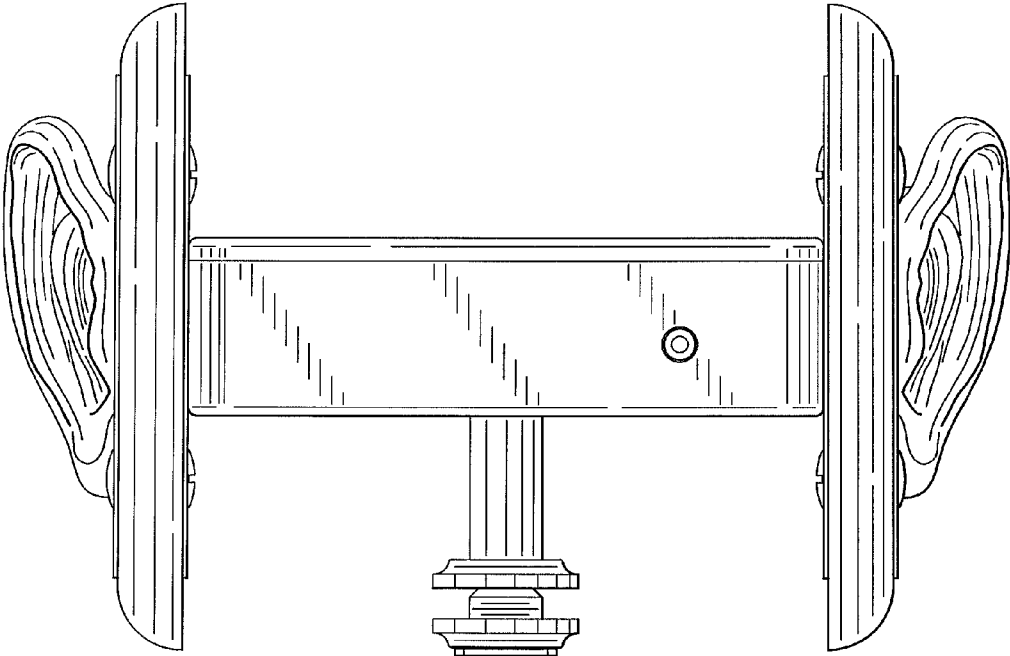


FIG. 2

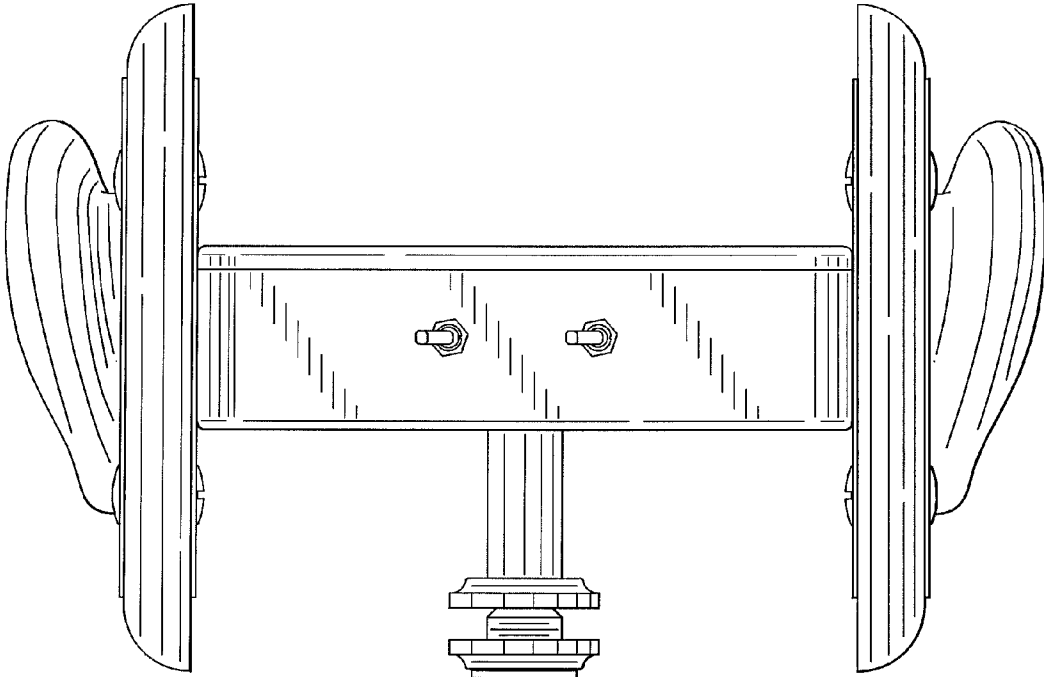


FIG. 3

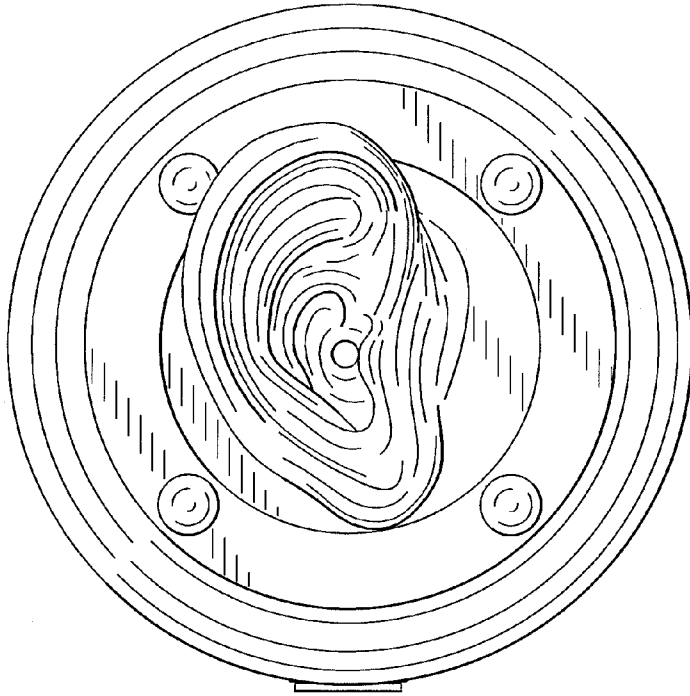


FIG. 4

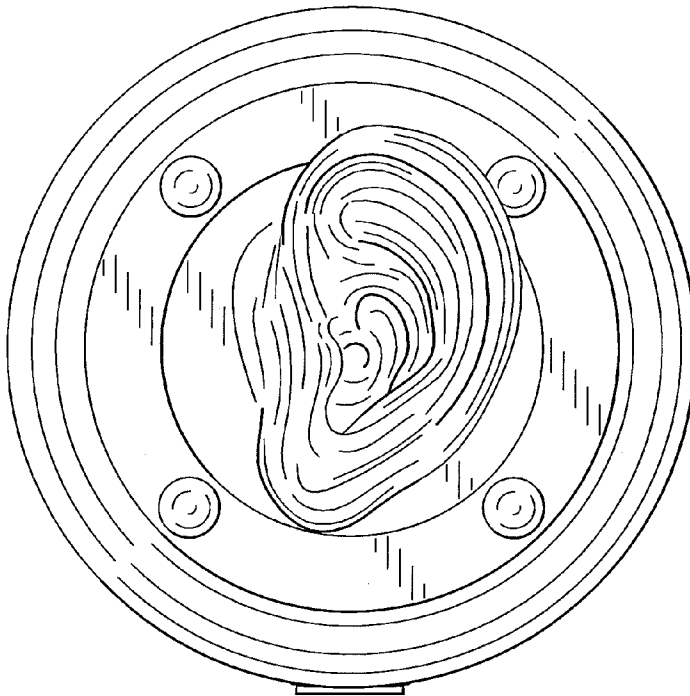


FIG. 5

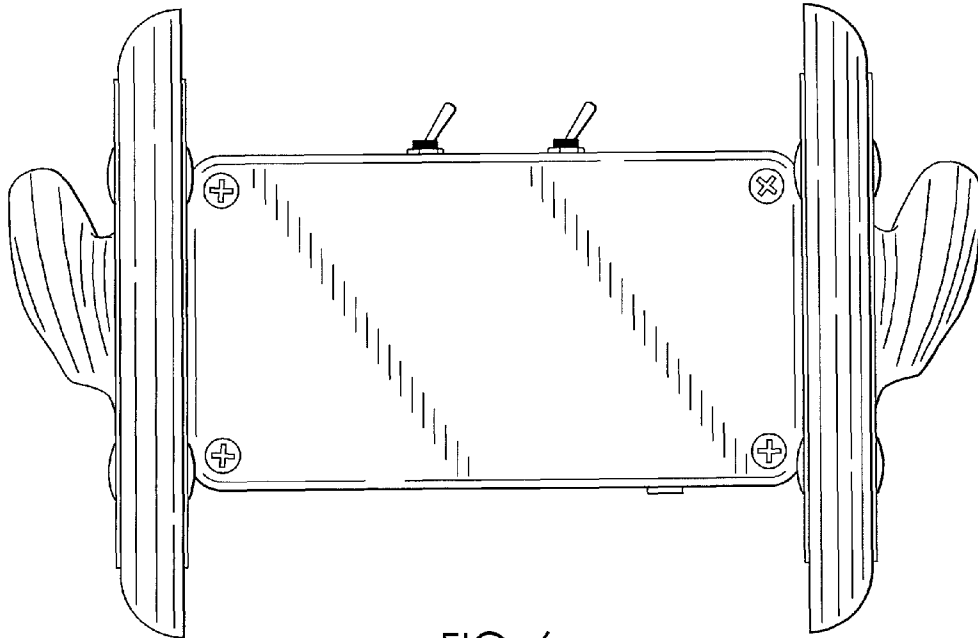


FIG. 6

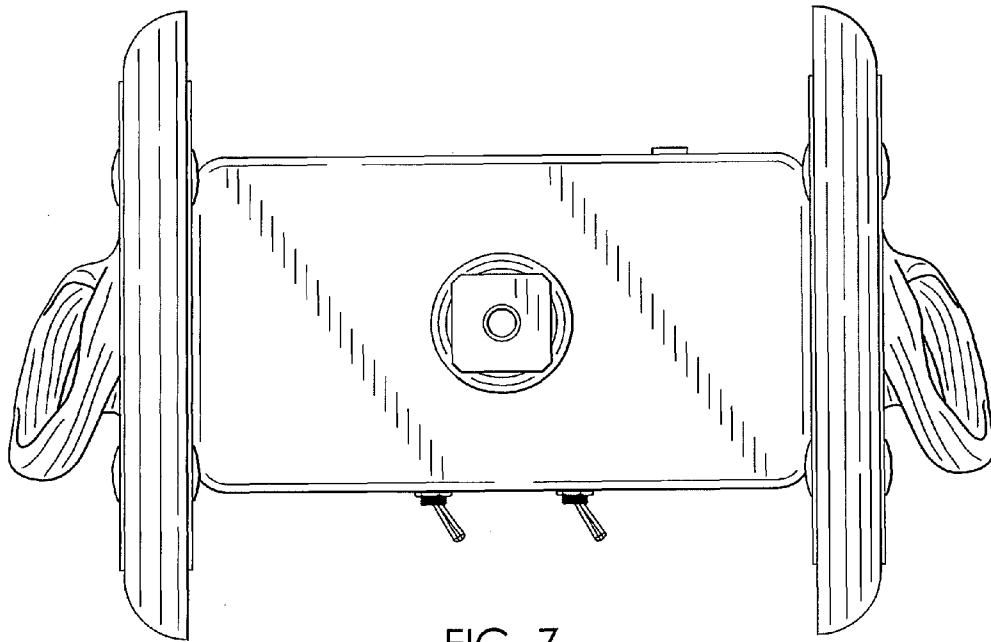


FIG. 7