



US00D693847S

(12) **United States Design Patent**
Andre et al.

(10) **Patent No.:** **US D693,847 S**

(45) **Date of Patent:** **** Nov. 19, 2013**

(54) **MEDIA DEVICE**

(75) Inventors: **Bartley K. Andre**, Palo Alto, CA (US); **Daniel J. Coster**, San Francisco, CA (US); **Daniele De Iulius**, San Francisco, CA (US); **Richard P. Howarth**, San Francisco, CA (US); **Jonathan P. Ive**, San Francisco, CA (US); **Steve Jobs**, Palo Alto, CA (US); **Duncan Robert Kerr**, San Francisco, CA (US); **Shin Nishibori**, Kailua, HI (US); **Matthew Dean Rohrbach**, San Francisco, CA (US); **Douglas B. Satzger**, Menlo Park, CA (US); **Calvin Q. Seid**, Palo Alto, CA (US); **Christopher J. Stringer**, Woodside, CA (US); **Eugene Antony Whang**, San Francisco, CA (US); **Rico Zörkendörfer**, San Francisco, CA (US)

(73) Assignee: **Apple Inc.**, Cupertino, CA (US)

(**) Term: **14 Years**

(21) Appl. No.: **29/432,438**

(22) Filed: **Sep. 14, 2012**

Related U.S. Application Data

(60) Continuation of application No. 29/419,606, filed on Apr. 30, 2012, now Pat. No. Des. 669,916, which is a

(Continued)

(51) **LOC (9) Cl.** **14-03**

(52) **U.S. Cl.**

USPC **D14/496**

(58) **Field of Classification Search**

USPC D14/496, 401, 435, 474, 483, 217, 137, D14/138, 160, 168, 356, 203.1-203.8, 507; 345/156, 169, 173-179, 905; 715/727-729, 864; 710/1, 5, 8; 713/1, 713/600; 455/1.1, 1.7, 73, 344-347, 93, 95, 455/3.01-3.06, 550.1, 573.1; 370/342-344; 369/1, 2, 6-12; 463/43-47; 273/148 B

See application file for complete search history.

(56) **References Cited**

U.S. PATENT DOCUMENTS

D303,137 S 8/1989 Brown
D315,159 S 3/1991 Hino

(Continued)

FOREIGN PATENT DOCUMENTS

CN 3260632 10/2002
CN 3260633 10/2002

(Continued)

OTHER PUBLICATIONS

“ASCII” weekly publication issued on Jul. 29, 2006, No. 450, Design of USB Memory Audio Player (JPO publicly known design No. HA15013509) received by the National Center for Industrial Property Information on Jul. 15, 2003.

(Continued)

Primary Examiner — Prabhakar Deshmukh

(74) *Attorney, Agent, or Firm* — Sterne, Kessler, Goldstein & Fox PLLC

(57) **CLAIM**

The ornamental design for a media device, as shown and described.

DESCRIPTION

FIG. 1 is a front perspective view of a media device showing our new design;

FIG. 2 is a front elevational view thereof;

FIG. 3 is a rear elevational view hereof;

FIG. 4 is a top plan view thereof;

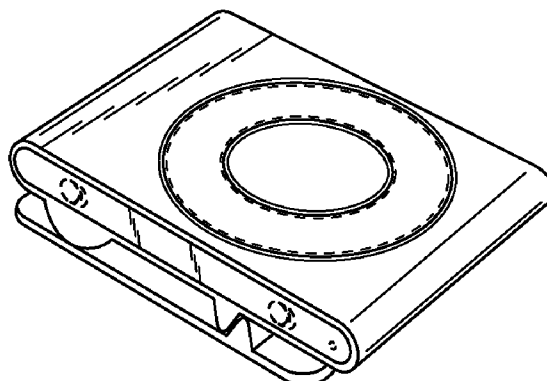
FIG. 5 is a bottom plan view thereof;

FIG. 6 is a left side elevational view thereof; and,

FIG. 7 is a right side elevational view thereof.

The broken lines in the Figures show portions of the media device which form no part of the claimed design.

1 Claim, 4 Drawing Sheets



Related U.S. Application Data

continuation of application No. 29/407,164, filed on Nov. 23, 2011, now Pat. No. Des. 659,712, which is a continuation of application No. 29/393,191, filed on May 31, 2011, now Pat. No. Des. 650,811, which is a continuation of application No. 29/379,225, filed on Nov. 16, 2010, now Pat. No. Des. 638,854, which is a continuation of application No. 29/361,026, filed on May 4, 2010, now Pat. No. Des. 627,367, which is a continuation of application No. 29/343,120, filed on Sep. 8, 2009, now Pat. No. Des. 616,899, which is a division of application No. 29/334,452, filed on Mar. 26, 2009, now Pat. No. Des. 601,172, which is a division of application No. 29/296,899, filed on Oct. 30, 2007, now Pat. No. Des. 589,530, which is a continuation of application No. 29/265,521, filed on Sep. 1, 2006, now Pat. No. Des. 560,228.

(56)

References Cited

U.S. PATENT DOCUMENTS

5,825,408 A 10/1998 Yuyama et al.
 5,859,594 A 1/1999 King et al.
 D410,463 S 6/1999 Hattori
 6,122,526 A 9/2000 Parulski et al.
 6,254,477 B1* 7/2001 Sasaki et al. 463/1
 D467,891 S 12/2002 Tokioka et al.
 D473,207 S 4/2003 Tanio
 6,595,860 B1* 7/2003 Yamamoto et al. 463/43
 D480,372 S 10/2003 Chen et al.
 6,671,567 B1 12/2003 Dwyer et al.
 D490,068 S 5/2004 Chen
 D494,188 S 8/2004 Huang
 6,791,907 B2 9/2004 Berhan
 D500,302 S 12/2004 Deguchi
 D500,485 S 1/2005 Deguchi
 D506,476 S 6/2005 Andre et al.
 D507,277 S 7/2005 Sitoh
 6,920,344 B2 7/2005 Jang
 D508,495 S 8/2005 Bone et al.
 D511,347 S 11/2005 Naruki
 D511,510 S 11/2005 Beasley et al.
 D512,977 S 12/2005 Chan
 D513,011 S 12/2005 Johnson
 D513,611 S 1/2006 Hibi
 D516,576 S 3/2006 Ive et al.
 D516,579 S 3/2006 Nakamura
 D521,023 S 5/2006 Kim et al.
 D529,044 S 9/2006 Andre et al.
 D530,340 S 10/2006 Andre et al.
 D531,157 S 10/2006 Lhem
 D534,921 S 1/2007 Andre et al.
 D535,308 S 1/2007 Andre et al.
 D535,650 S 1/2007 Wong et al.
 D538,795 S 3/2007 Wong et al.
 D539,814 S 4/2007 Andre et al.
 D542,784 S 5/2007 Franck et al.
 D555,171 S* 11/2007 Dai D14/496
 7,310,083 B2 12/2007 Hagiwara et al.
 D559,861 S* 1/2008 Andre et al. D14/496
 D560,228 S 1/2008 Andre et al.

D563,434 S* 3/2008 Dai D14/496
 D568,310 S 5/2008 Franck et al.
 D569,389 S 5/2008 Andre et al.
 D570,876 S 6/2008 Lee
 D590,826 S* 4/2009 Andre et al. D14/341
 2004/0233646 A1 11/2004 Yen
 2005/0109841 A1 5/2005 Ryan et al.
 2006/0094301 A1 5/2006 Lee et al.

FOREIGN PATENT DOCUMENTS

CN 3287344 4/2003
 CN 3331371 10/2003
 CN 3389184 9/2004
 CN 3389185 9/2004
 CN 3390597 9/2004
 CN 3393195 9/2004
 CN 3453893 6/2005
 CN 3453894 6/2005
 CN 3453909 6/2005
 CN 3468582 8/2005
 CN 3468598 8/2005
 CN 3480659 10/2005
 CN 3484184 11/2005
 CN 3269799 12/2005
 CN 3490573 12/2005
 CN 3490574 12/2005
 CN 3513646 3/2006
 CN 3518964 4/2006
 CN 3518979 4/2006
 CN 3541511 7/2006
 CN 3543434 7/2006
 CN 3543442 7/2006
 CN 3543458 7/2006
 CN 3545312 7/2006
 CN 3545341 7/2006
 CN 3549064 8/2006
 JP D1085073 9/2000
 JP D1085080 9/2000
 JP D1089527 10/2000
 JP D1089528 10/2000
 JP D1089529 10/2000
 JP D1089530 10/2000
 JP D1105429 4/2001
 JP D1106151 4/2001
 JP D1106452 4/2001
 JP D1121650 9/2001
 JP D1123108 10/2001
 JP D1129386 12/2001
 JP D1129387 12/2001
 JP D1131037 1/2002
 JP D1154927 10/2002
 JP D1174623 6/2003
 JP D1174710 6/2003
 JP D1185408 9/2003
 JP D1188267 10/2003
 JP D1191223 12/2003
 JP D1193941 1/2004
 JP D1211811 7/2004
 JP D1211812 7/2004

OTHER PUBLICATIONS

“PC2000,” May 2002, p. 84.

* cited by examiner

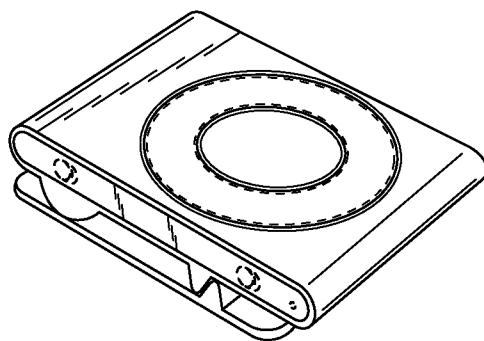


FIG. 1

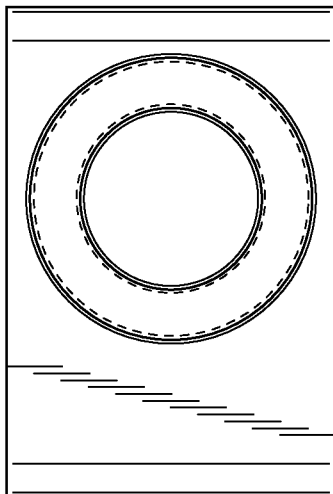


FIG. 2

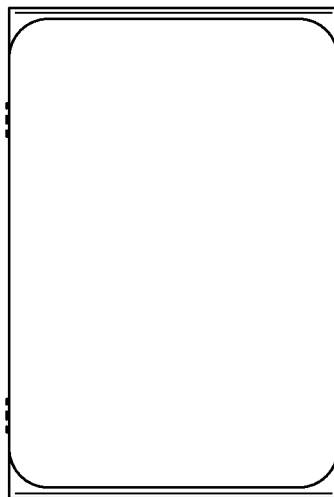


FIG. 3

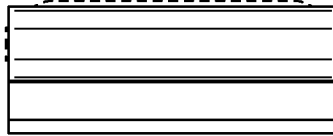


FIG. 4

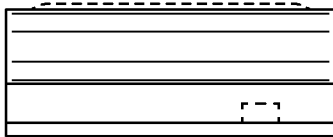


FIG. 5

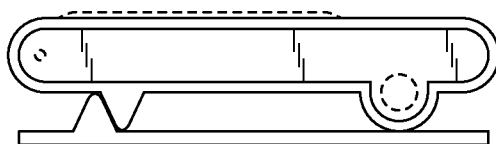


FIG. 6

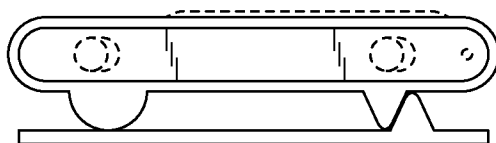


FIG. 7