



US00D375452S

United States Patent [19]

[11] Patent Number: Des. 375,452

Housser

[45] Date of Patent: **Nov. 12, 1996

[54] LICENSE PLATE LOCK

[76] Inventor: Peter A. Housser, 6304 Collins Dr.,
Niagara Falls, Ontario, Canada,
L2G-2S7

[**] Term: 14 Years

[21] Appl. No.: 40,597

[22] Filed: Jun. 22, 1995

[52] U.S. Cl. D8/382

[58] Field of Search D8/382, 388, 391,
D8/393; 411/366, 411, 402, 408, 416; 40/662,
663, 668

[56] **References Cited**

U.S. PATENT DOCUMENTS

D. 317,862	7/1991	Yamamoto	D8/387
2,082,311	6/1937	Blankensteyn	411/366 X
2,314,391	3/1943	Vellier	411/411
3,487,744	1/1970	Montana	D8/395 X

4,534,690	8/1985	Barth	411/416 X
4,892,429	1/1990	Giannuzzi	411/411 X
4,930,962	6/1990	Reynolds	411/366
5,302,068	4/1994	Janusz et al.	411/402
5,353,667	10/1994	Wilner	D8/387 X
5,454,676	10/1995	Conte	411/366 X

Primary Examiner—Paula A. Mortimer
Attorney, Agent, or Firm—Harpman & Harpman

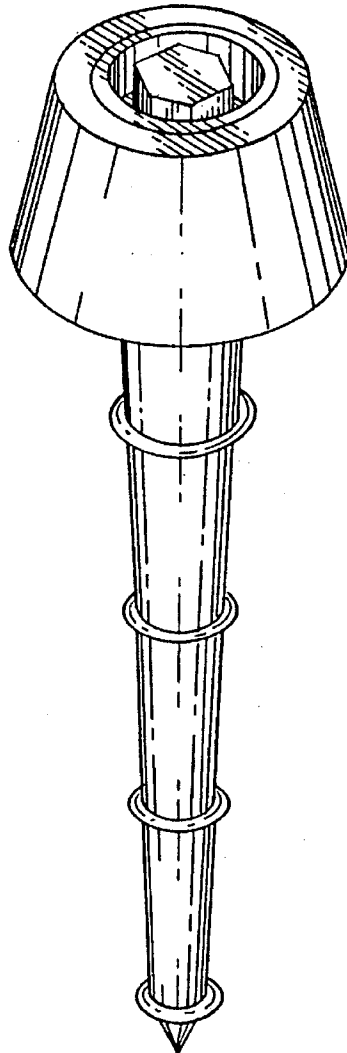
[57] **CLAIM**

The ornamental design for a license plate lock, as shown and described.

DESCRIPTION

FIG. 1 is a front, top, and side perspective view of a license plate lock showing my new design; FIG. 2 is a rear elevational view thereof; FIG. 3 is a top plan view thereof; and, FIG. 4 is a bottom plan view thereof.

1 Claim, 2 Drawing Sheets



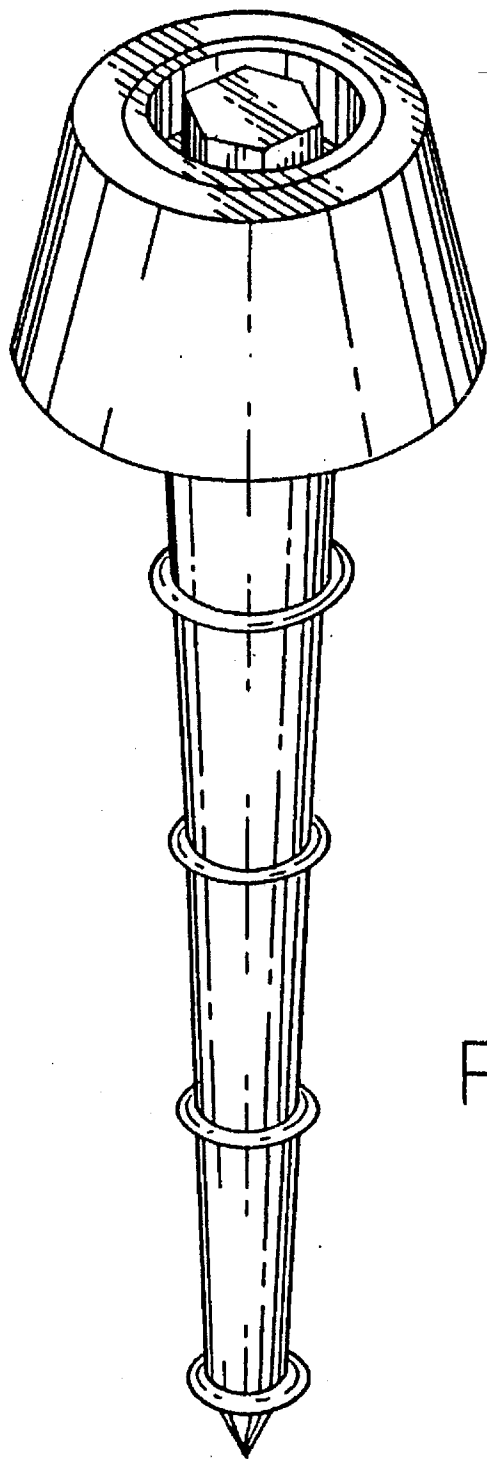


FIG. 1

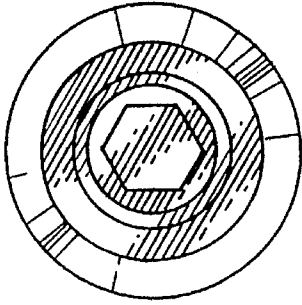


FIG. 3

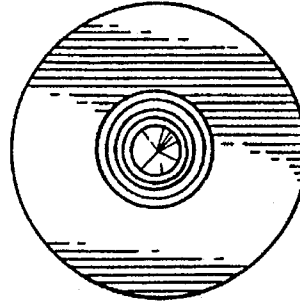


FIG. 4

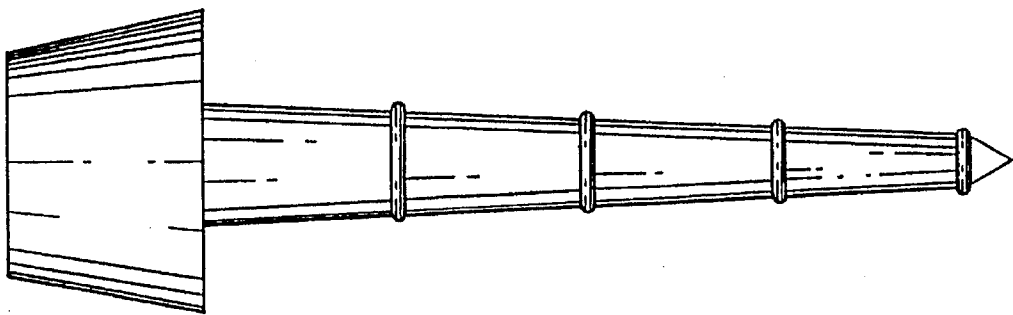


FIG. 2