

(19) World Intellectual Property Organization  
International Bureau



(43) International Publication Date  
24 August 2006 (24.08.2006)

PCT

(10) International Publication Number  
WO 2006/088994 A3

(51) International Patent Classification:  
F25D 3/08 (2006.01) F17C 1/00 (2006.01)

(21) International Application Number:  
PCT/US2006/005413

(22) International Filing Date:  
16 February 2006 (16.02.2006)

(25) Filing Language: English

(26) Publication Language: English

(30) Priority Data:  
60/653,109 16 February 2005 (16.02.2005) US

(71) Applicant and

(72) Inventor: ELIAS, Albert, S. [US/US]; 8820 S.W. 149th Street, Miami, Florida 33176 (US).

(74) Agent: SCHERER, Jonathan, L.; Jacobson Holman, PLLC., 400 Seventh Street, N.W., Washington, District Of Columbia 20004-2218 (US).

(81) Designated States (unless otherwise indicated, for every kind of national protection available): AE, AG, AL, AM,

AT, AU, AZ, BA, BB, BG, BR, BW, BY, BZ, CA, CH, CN, CO, CR, CU, CZ, DE, DK, DM, DZ, EC, EE, EG, ES, FI, GB, GD, GE, GH, GM, HR, HU, ID, IL, IN, IS, JP, KE, KG, KM, KN, KP, KR, KZ, LC, LK, LR, LS, LT, LU, LV, LY, MA, MD, MG, MK, MN, MW, MX, MZ, NA, NG, NI, NO, NZ, OM, PG, PH, PL, PT, RO, RU, SC, SD, SE, SG, SK, SL, SM, SY, TJ, TM, TN, TR, TT, TZ, UA, UG, US, UZ, VC, VN, YU, ZA, ZM, ZW.

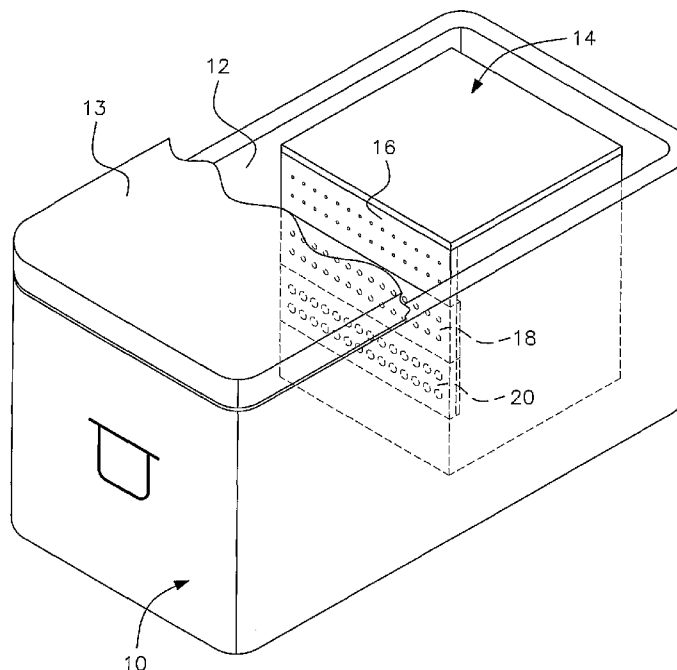
(84) Designated States (unless otherwise indicated, for every kind of regional protection available): ARIPO (BW, GH, GM, KE, LS, MW, MZ, NA, SD, SL, SZ, TZ, UG, ZM, ZW), Eurasian (AM, AZ, BY, KG, KZ, MD, RU, TJ, TM), European (AT, BE, BG, CH, CY, CZ, DE, DK, EE, ES, FI, FR, GB, GR, HU, IE, IS, IT, LT, LU, LV, MC, NL, PL, PT, RO, SE, SI, SK, TR), OAPI (BF, BJ, CF, CG, CI, CM, GA, GN, GQ, GW, ML, MR, NE, SN, TD, TG).

Published:  
— with international search report

(88) Date of publication of the international search report:  
1 November 2007

For two-letter codes and other abbreviations, refer to the "Guidance Notes on Codes and Abbreviations" appearing at the beginning of each regular issue of the PCT Gazette.

(54) Title: ADJUSTABLE CLIMATE CONTROL AUXILIARY BOX FOR COOLING A CONTAINER, VESSEL, BOX OR CHAMBER



(57) Abstract: An auxiliary box placed in an insulated chamber, vessel or container to produce a controlled temperature. The auxiliary box receives a coolant, such as dry ice (CO<sub>2</sub>), and is constructed to allow controlled escape of the coolant into the chamber, vessel or container at a predetermined rate thereby controlling and maintaining the temperature ranges in the chamber, vessel or container to be cooled at a substantial constant temperature.

WO 2006/088994 A3

# INTERNATIONAL SEARCH REPORT

International application No.  
PCT/US 06/05413

<b>A. CLASSIFICATION OF SUBJECT MATTER</b> IPC(8): F25D 23 (2007.01), F17C 1/00 (2007.01) USPC: 62/457.1 According to International Patent Classification (IPC) or to both national classification and IPC				
<b>B. FIELDS SEARCHED</b> Minimum documentation searched (classification system followed by classification symbols) USPC: 62/457.1 Documentation searched other than minimum documentation to the extent that such documents are included in the fields searched USPC: 220/560.03, 560.08, 560.1, 560.12, 560.15, 592.61, 592.03, 592.05, 592.09, 592.1, 592.15 (text search - see terms below) Electronic data base consulted during the international search (name of data base and, where practicable, search terms used) PubWEST(USPT,PGPB,EPAB,JPAB); Google Search Terms: cooler, dry ice, co2, carbon dioxide, ice box, porosity, temperature, flow				
<b>C. DOCUMENTS CONSIDERED TO BE RELEVANT</b>				
Category*	Citation of document, with indication, where appropriate, of the relevant passages	Relevant to claim No.		
Y	US 2,493,647 A (Wagner) 03 January 1950 (03.01.1950), entire document, especially col 1, ln 13 - col 2, ln 39	1-6		
Y	US 3,645,298 A (Roberts, et al.) 29 February 1972 (29.02.1972), entire document, entire document, especially col 1, ln 13 - col 3, ln 59	1-6		
A	US 1,998,681 A (Littleford) 23 April 1935 (23.04.1935), entire document	1-5		
A	US 2002/0020188 A1 (Sharon, et al) 21 February 2002 (21.02.2002), entire document	1-6		
A	US 2004/0016760 A1 (Wuestman) 29 January 2004 (29.01.2004), entire document	1-6		
A	US 2004/0129839 A1 (Patel et al) 8 July 2004 (08.07.2004), entire document	1-6		
<input type="checkbox"/> Further documents are listed in the continuation of Box C.				
<table style="width: 100%; border: none;"> <tr> <td style="width: 50%; border: none;">                     * Special categories of cited documents:                      "A" document defining the general state of the art which is not considered to be of particular relevance                      "E" earlier application or patent but published on or after the international filing date                      "L" document which may throw doubts on priority claim(s) or which is cited to establish the publication date of another citation or other special reason (as specified)                      "O" document referring to an oral disclosure, use, exhibition or other means                      "P" document published prior to the international filing date but later than the priority date claimed                 </td> <td style="width: 50%; border: none;">                     "T" later document published after the international filing date or priority date and not in conflict with the application but cited to understand the principle or theory underlying the invention                      "X" document of particular relevance; the claimed invention cannot be considered novel or cannot be considered to involve an inventive step when the document is taken alone                      "Y" document of particular relevance; the claimed invention cannot be considered to involve an inventive step when the document is combined with one or more other such documents, such combination being obvious to a person skilled in the art                      "&amp;" document member of the same patent family                 </td> </tr> </table>			* Special categories of cited documents: "A" document defining the general state of the art which is not considered to be of particular relevance "E" earlier application or patent but published on or after the international filing date "L" document which may throw doubts on priority claim(s) or which is cited to establish the publication date of another citation or other special reason (as specified) "O" document referring to an oral disclosure, use, exhibition or other means "P" document published prior to the international filing date but later than the priority date claimed	"T" later document published after the international filing date or priority date and not in conflict with the application but cited to understand the principle or theory underlying the invention "X" document of particular relevance; the claimed invention cannot be considered novel or cannot be considered to involve an inventive step when the document is taken alone "Y" document of particular relevance; the claimed invention cannot be considered to involve an inventive step when the document is combined with one or more other such documents, such combination being obvious to a person skilled in the art "&" document member of the same patent family
* Special categories of cited documents: "A" document defining the general state of the art which is not considered to be of particular relevance "E" earlier application or patent but published on or after the international filing date "L" document which may throw doubts on priority claim(s) or which is cited to establish the publication date of another citation or other special reason (as specified) "O" document referring to an oral disclosure, use, exhibition or other means "P" document published prior to the international filing date but later than the priority date claimed	"T" later document published after the international filing date or priority date and not in conflict with the application but cited to understand the principle or theory underlying the invention "X" document of particular relevance; the claimed invention cannot be considered novel or cannot be considered to involve an inventive step when the document is taken alone "Y" document of particular relevance; the claimed invention cannot be considered to involve an inventive step when the document is combined with one or more other such documents, such combination being obvious to a person skilled in the art "&" document member of the same patent family			
Date of the actual completion of the international search	Date of mailing of the international search report			
16 April 2007 (16.04.2007)	14 AUG 2007			
Name and mailing address of the ISA/US Mail Stop PCT, Attn: ISA/US, Commissioner for Patents P.O. Box 1450, Alexandria, Virginia 22313-1450 Facsimile No. 571-273-3201				
Authorized officer: Lee W. Young				
PCT Helpdesk: 571-272-4300 PCT OSP: 571-272-7774				