



US0D1014337S

(12) **United States Design Patent**
Dunshee et al.

(10) **Patent No.:** **US D1,014,337 S**

(45) **Date of Patent:** **** Feb. 13, 2024**

(54) **ELECTRIC MOTORCYCLE SWING ARM WITH ACCESS PANEL**

Primary Examiner — Darlington Ly

(74) *Attorney, Agent, or Firm* — Stradling Yocca Carlson & Rauth

(71) Applicant: **Super73, Inc.**, Irvine, CA (US)

(72) Inventors: **Erik Dunshee**, Irvine, CA (US);
Legrand Crewse, Irvine, CA (US)

(57) **CLAIM**

The ornamental design for an electric motorcycle swing arm with access panel, as shown and described.

(73) Assignee: **Super 73, Inc.**, Irvine, CA (US)

(**) Term: **15 Years**

DESCRIPTION

(21) Appl. No.: **29/830,645**

(22) Filed: **Mar. 14, 2022**

(51) **LOC (14) Cl.** **12-11**

(52) **U.S. Cl.**
USPC **D12/117**

(58) **Field of Classification Search**
USPC D12/110, 114, 117, 118, 159, 160;
D21/432, 538

(Continued)

(56) **References Cited**

U.S. PATENT DOCUMENTS

5,964,312 A * 10/1999 Maldonado B62K 25/286
362/549
D456,317 S * 4/2002 Nakazawa D12/117
(Continued)

FOREIGN PATENT DOCUMENTS

EP 1905683 A1 * 4/2008 B62K 25/283
GB 2458108 A * 9/2009 B62J 13/04
(Continued)

OTHER PUBLICATIONS

“Super73 Earns Two 2022 Red Dot Design Awards.” Super73., Sep. 29, 2022 [online], [retrieved on Aug. 13, 2023]. Retrieved from the Internet <URL: <https://super73.com/blogs/press/clx-red-dot-design-award>>.*

(Continued)

FIG. 1 is a top perspective view showing the top, rear, and left sides of an electric motorcycle swing arm with access panel;

FIG. 2 is a top perspective view showing the top, front, and left sides of the electric motorcycle swing arm with access panel;

FIG. 3 is a bottom perspective view showing the bottom, rear, and right sides of the electric motorcycle swing arm with access panel;

FIG. 4 is a top perspective view showing the top, rear, and right sides of the electric motorcycle swing arm with access panel;

FIG. 5 is a bottom perspective view showing the bottom, rear, and left sides of the electric motorcycle swing arm with access panel;

FIG. 6 is a left side elevation view of the electric motorcycle swing arm with access panel;

FIG. 7 is a left side elevation view of the electric motorcycle swing arm with access panel;

FIG. 8 is a front elevation view of the electric motorcycle swing arm with access panel;

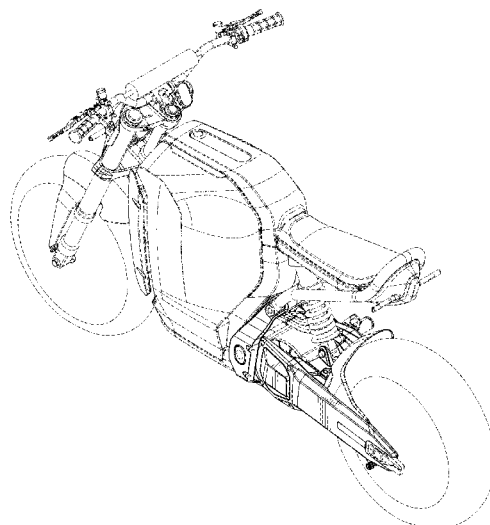
FIG. 9 is a rear elevation view of the electric motorcycle swing arm with access panel;

FIG. 10 is a top plan view of the electric motorcycle swing arm with access panel; and,

FIG. 11 is a bottom plan view of the electric motorcycle swing arm with access panel.

The portions shown in broken lines show environment and form no part of the claimed design.

1 Claim, 6 Drawing Sheets



(58) **Field of Classification Search**

CPC B62K 11/00; B62K 11/02; B62K 11/04;
 B62K 11/10; B62K 17/00; B62K 19/00;
 B62K 2202/00; B62K 25/283

See application file for complete search history.

(56) **References Cited**

U.S. PATENT DOCUMENTS

D465,753	S *	11/2002	Hamann	D12/117
D521,419	S *	5/2006	Mezzasalma	D12/117
D527,314	S *	8/2006	Czysz	D12/117
7,137,468	B2 *	11/2006	Siddle	B62K 25/283 180/219
D583,717	S *	12/2008	Brown	D12/117
D885,988	S *	6/2020	Richards	D12/117
2003/0006080	A1 *	1/2003	Buell	B62J 31/00 180/225
2003/0010557	A1 *	1/2003	Miyashiro	B62K 25/283 180/227
2003/0015365	A1 *	1/2003	Miyashiro	B62K 25/283 180/227
2003/0196843	A1 *	10/2003	Miyashiro	B62K 25/283 180/227
2005/0139407	A1 *	6/2005	Czysz	B62M 7/04 180/227
2008/0196960	A1 *	8/2008	Brown	B62K 11/04 280/281.1
2016/0176476	A1 *	6/2016	Aldenhoevel	F01N 1/023 180/225
2020/0216138	A1 *	7/2020	Reitinger	B62J 25/06
2023/0182846	A1 *	6/2023	Barsnick	B62K 25/283 280/304.3

FOREIGN PATENT DOCUMENTS

JP	2003312577	A *	11/2003
JP	2010228557	A *	10/2010
JP	2018122642	A *	8/2018 B62K 11/02
JP	2020111317	A *	7/2020 B60K 7/0007
JP	2020117192	A *	8/2020

OTHER PUBLICATIONS

Don Williams. "Super73 C1X Concept Electric Motorcycle First Look [10 Fast Facts]." Super73., Mar. 16, 2022 [online], [retrieved on Aug. 13, 2023]. Retrieved from the Internet <URL: <https://ultimatemotorcycling.com/2022/03/16/super73-c1x-concept-electric-motorcycle-first-look-10-fast-facts/>>.*

Micah Toll. "These are the top new electric motorcycle releases I'm excited for in 2021." Electrek., Jan. 8, 2021 [online], [retrieved on Aug. 13, 2023]. Retrieved from the Internet <URL: <https://electrek.co/2021/01/08/here-are-the-top-new-electric-motorcycle-releases-2021/>>.*

Chris Randall. "Niu presents new electric motorbike & 3-wheeler." Electrify., Jan. 8, 2020 [online], [retrieved on Aug. 13, 2023]. Retrieved from the Internet <URL: <https://www.electrify.com/2020/01/08/niu-presents-new-electric-motorbike-3-wheeler/>>.*

"Fuel Flow—Electric Motorcycle Specs Review." All Electric Motorcycle., Aug. 13, 2020 [online], [retrieved on Aug. 13, 2023]. Retrieved from the Internet <URL: <https://allelectricmotorcycle.com/electric-naked-standard/fuel-flow-electric-motorcycle-review/>>.*

"Ray." CHGC International Holdings Limited., Jan. 19, 2020 [online], [retrieved on Aug. 13, 2023]. Retrieved from the Internet <URL: <http://www.chgcgroup.com/electric-motorcycle/73.html>>.*

* cited by examiner

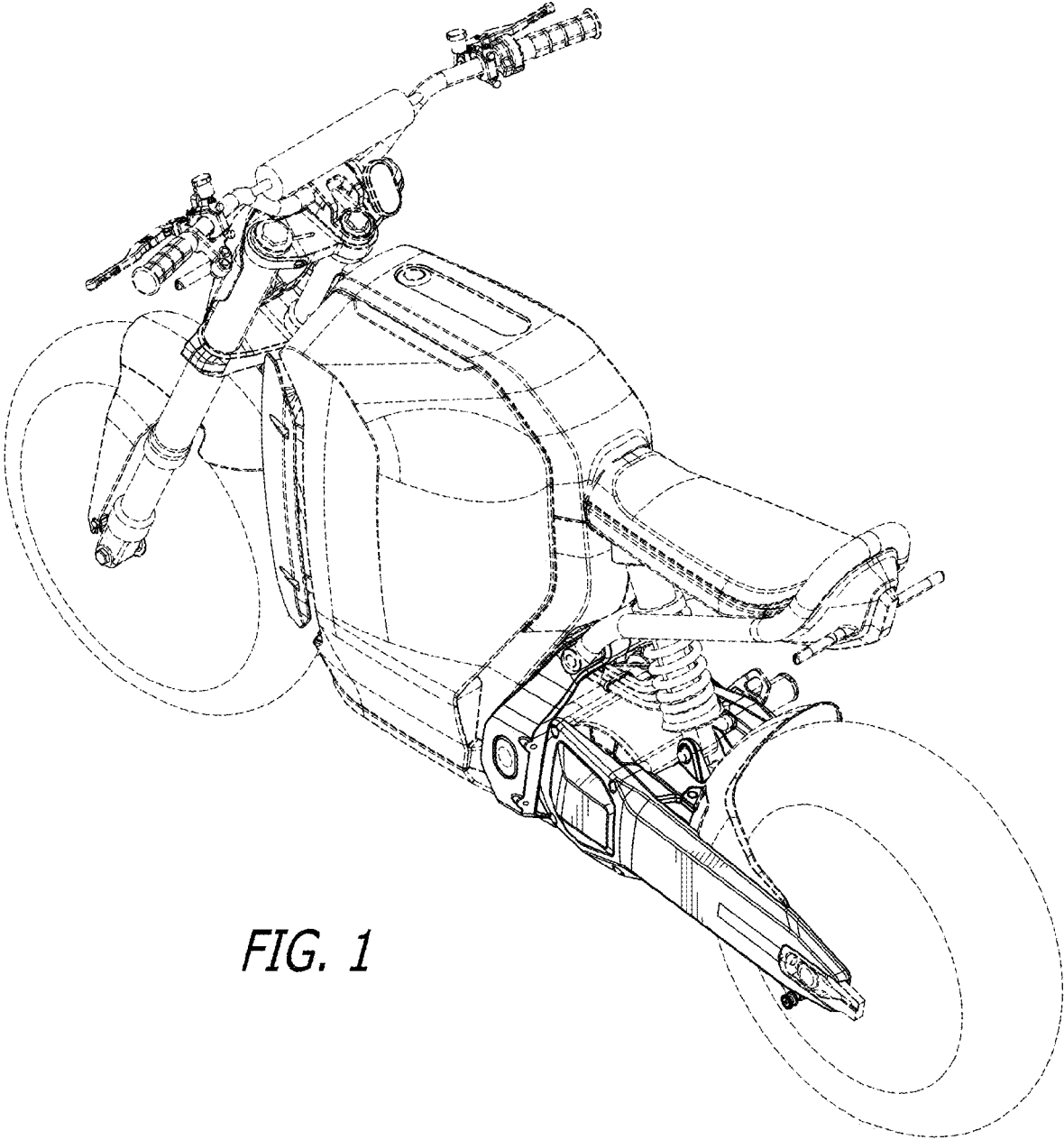


FIG. 1

FIG. 2

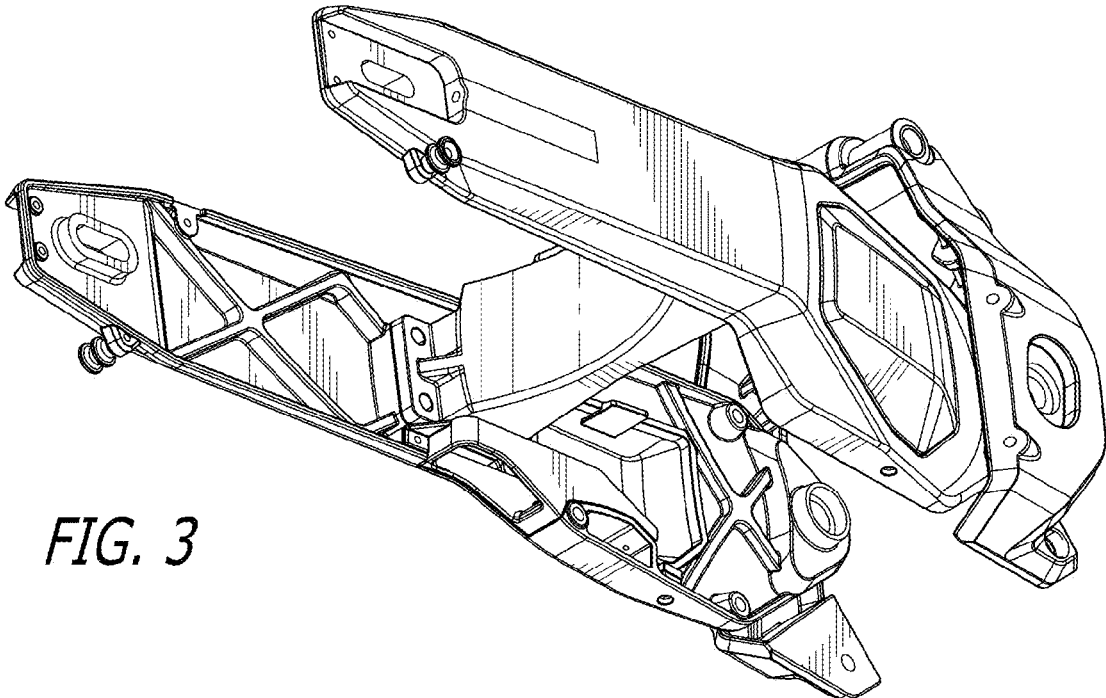
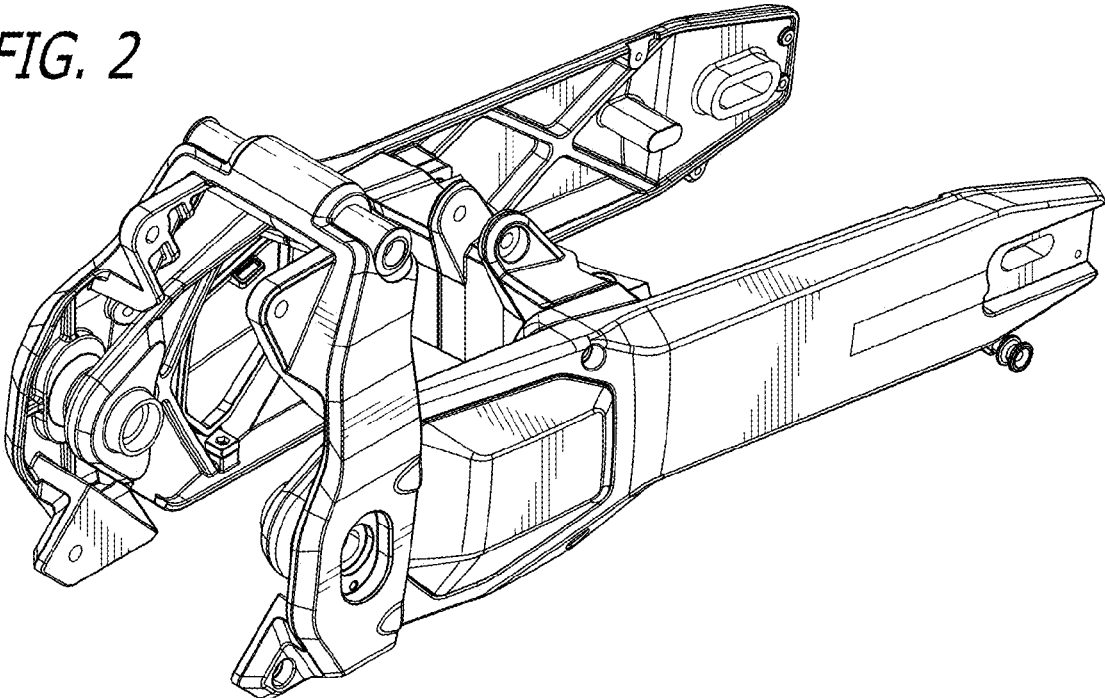


FIG. 3

FIG. 4

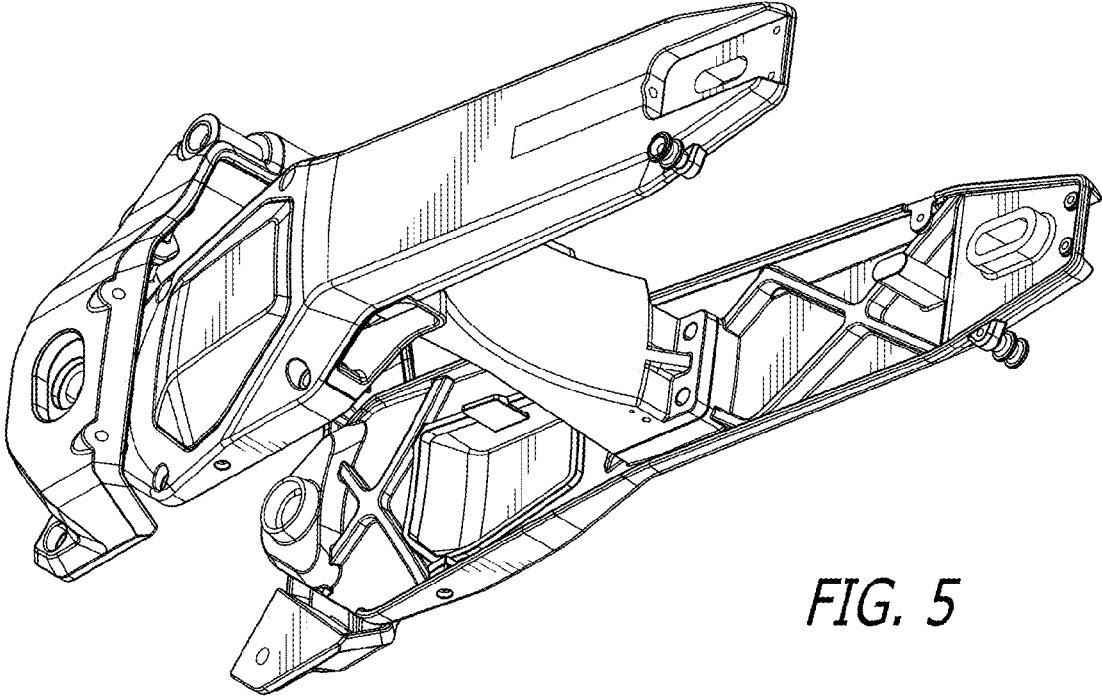
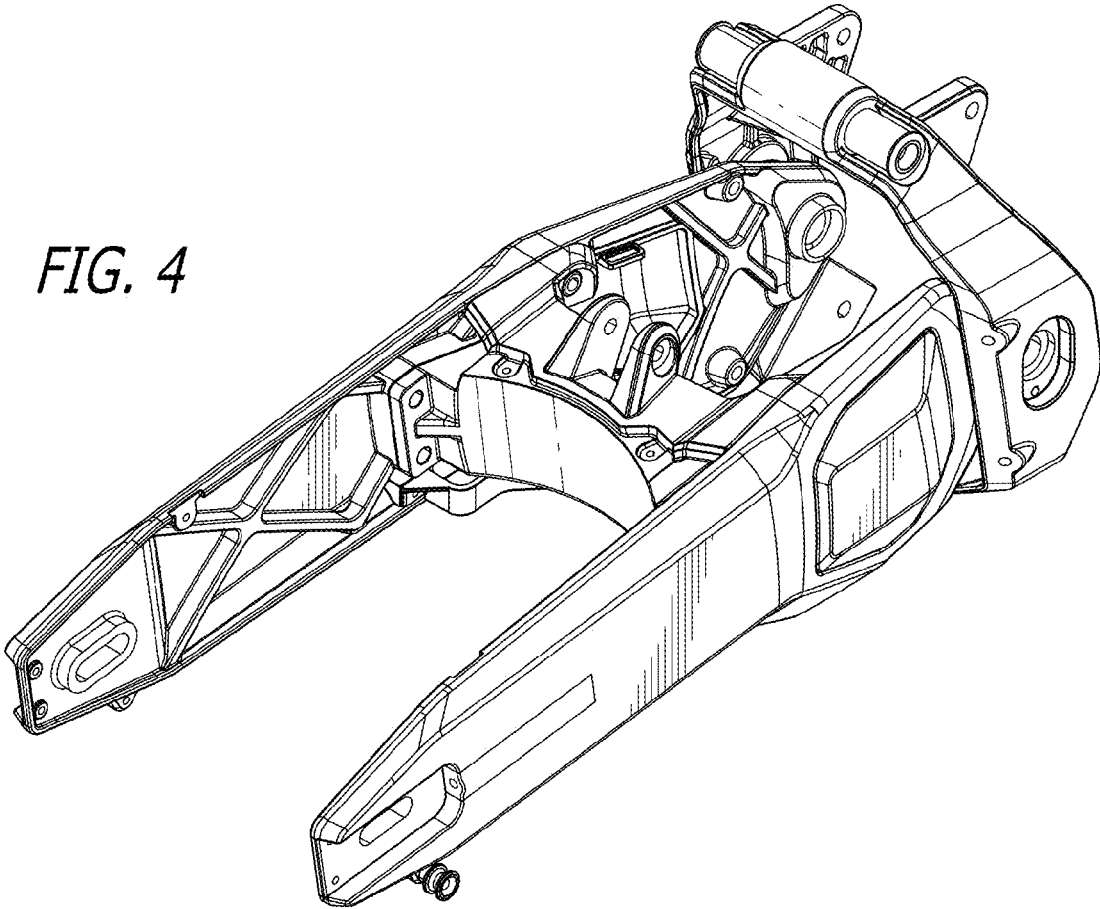


FIG. 5

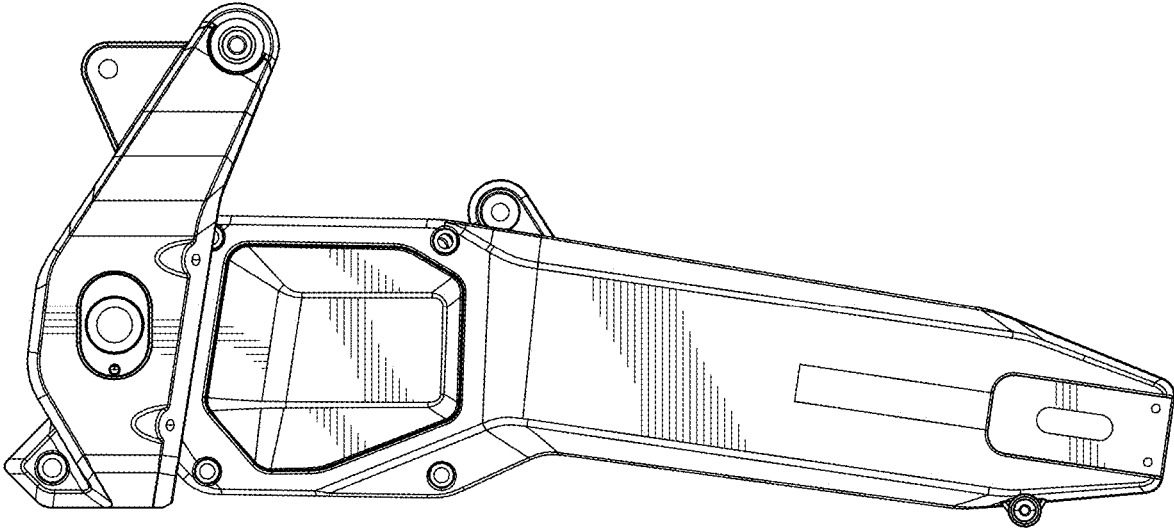


FIG. 6

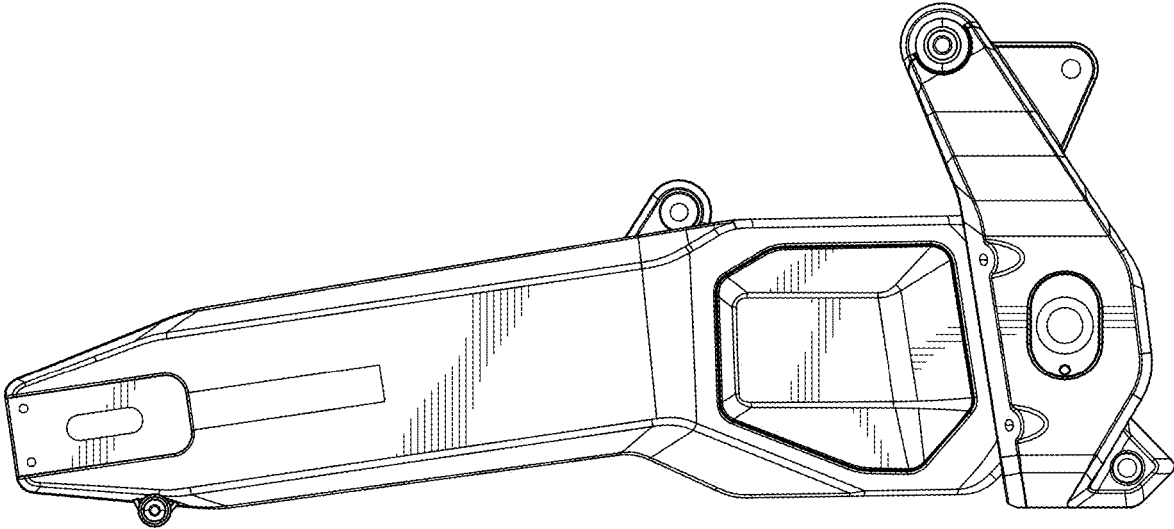


FIG. 7

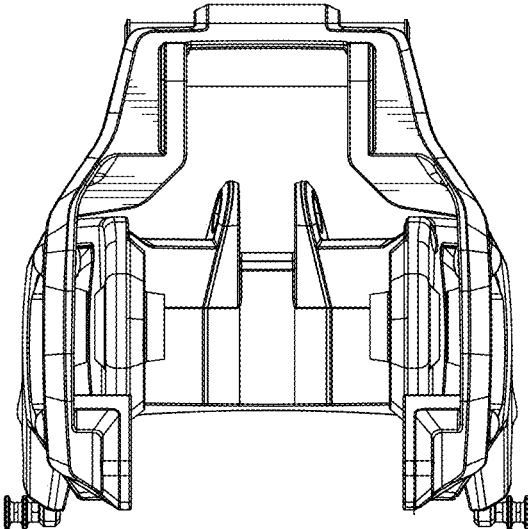


FIG. 8

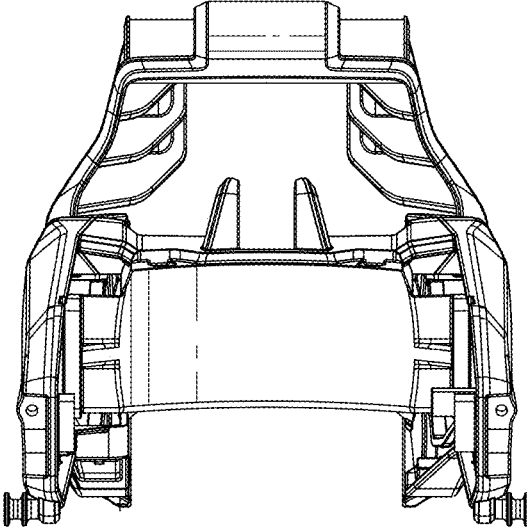


FIG. 9

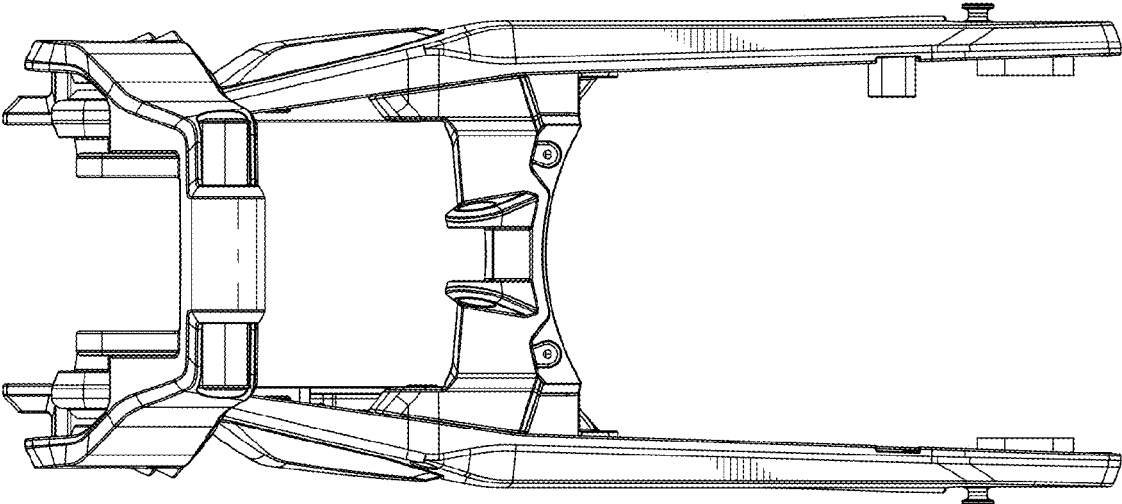


FIG. 10

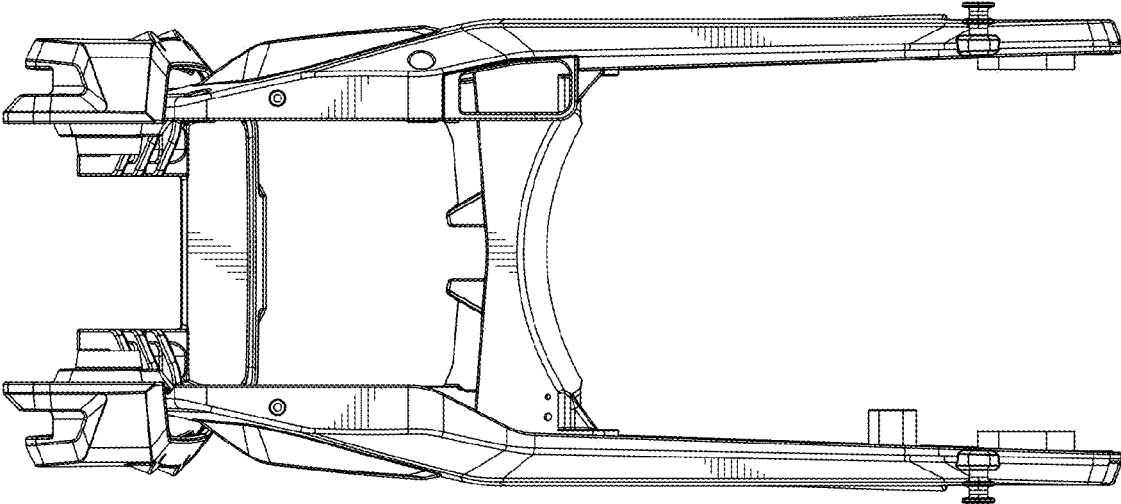


FIG. 11