



US00D341405S

United States Patent [19]

[11] Patent Number: Des. 341,405

Solheim

[45] Date of Patent: ** Nov. 16, 1993

[54] GOLF PUTTER HEAD

[75] Inventor: John A. Solheim, Phoenix, Ariz.

[73] Assignee: Karsten Manufacturing Corporation, Phoenix, Ariz.

[**] Term: 14 Years

[21] Appl. No.: 713,343

[22] Filed: Jun. 10, 1991

[52] U.S. Cl. D21/219

[58] Field of Search D21/214-220;
273/164.1, 167-175

[56] References Cited

U.S. PATENT DOCUMENTS

D. 255,373 6/1980 Solheim D21/219
4,265,452 5/1981 Vella 273/167 G

OTHER PUBLICATIONS

Golf World, Dec. 4, 1987, p. 7, middle left, club head.
Ping "B" Design Brochure.

Primary Examiner—Melvin B. Feifer

Attorney, Agent, or Firm—Darrell Marquette; Herbert E. Haynes, Jr.

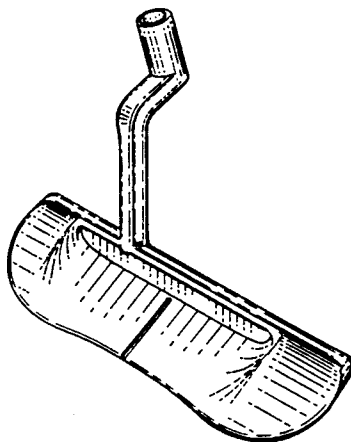
[57] CLAIM

The ornamental design for a golf putter head, as shown and described.

DESCRIPTION

FIG. 1 is a perspective view showing the top, rear and one end of a first embodiment of a golf putter head embodying my new design;
FIG. 2 is an elevational view showing one end of the embodiment shown in FIG. 1;
FIG. 3 is a rear elevational view of the embodiment shown in FIG. 1;
FIG. 4 is a top view of the embodiment shown in FIG. 1;
FIG. 5 is a bottom view of the embodiment shown in FIG. 1;
FIG. 6 is a front elevational view of the embodiment shown in FIG. 1;
FIG. 7 is an elevational view showing the end of this first embodiment which is opposite to the end shown in FIG. 2;
FIG. 8 is a perspective view showing the top, rear and

one end of a second embodiment of a golf putter head embodying my new design;
FIG. 9 is an elevational view showing one end of the embodiment shown in FIG. 8;
FIG. 10 is a rear elevational view of the embodiment shown in FIG. 8;
FIG. 11 is a top view of the embodiment shown in FIG. 8;
FIG. 12 is a bottom view of the embodiment shown in FIG. 8;
FIG. 13 is a front elevational view of the embodiment shown in FIG. 8;
FIG. 14 is an elevational view showing the end of this second embodiment which is opposite to the end shown in FIG. 9;
FIG. 15 is a perspective view showing the top, rear and one end of a third embodiment of a golf putter head embodying my new design;
FIG. 16 is an elevational view showing one end of the embodiment shown in FIG. 15;
FIG. 17 is a rear elevational view of the embodiment shown in FIG. 15;
FIG. 18 is a top view of the embodiment shown in FIG. 15;
FIG. 19 is a bottom view of the embodiment shown in FIG. 15;
FIG. 20 is a front elevational view of the embodiment shown in FIG. 15;
FIG. 21 is an elevational view showing the end of this third embodiment which is opposite to the end shown in FIG. 16;
FIG. 22 is a perspective view showing the top, rear and one end of a fourth embodiment of a golf putter head embodying my new design;
FIG. 23 is an elevational view showing one end of the embodiment shown in FIG. 22;
FIG. 24 is a rear elevational view of the embodiment shown in FIG. 22;
FIG. 25 is a top view of the embodiment shown in FIG. 22;
FIG. 26 is a bottom view of the embodiment shown in FIG. 22;
FIG. 27 is a front elevational view of the embodiment shown in FIG. 22; and,
FIG. 28 is an elevational view showing the end of this fourth embodiment which is opposite to the end shown in FIG. 23.



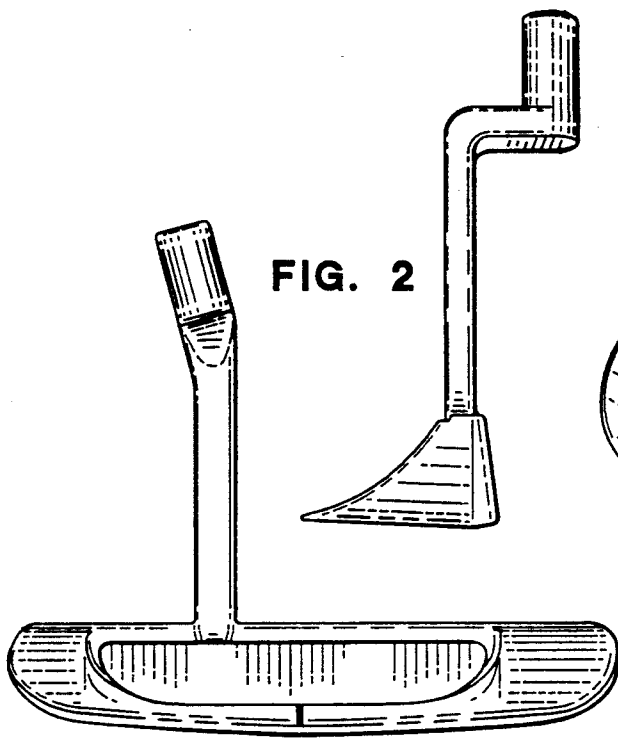


FIG. 2

FIG. 1

FIG. 3

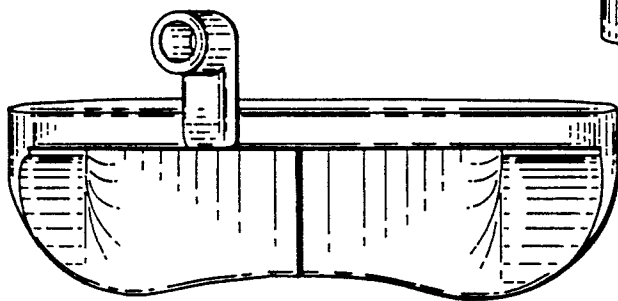


FIG. 4

FIG. 7

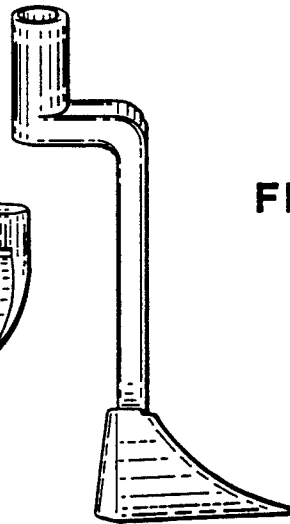
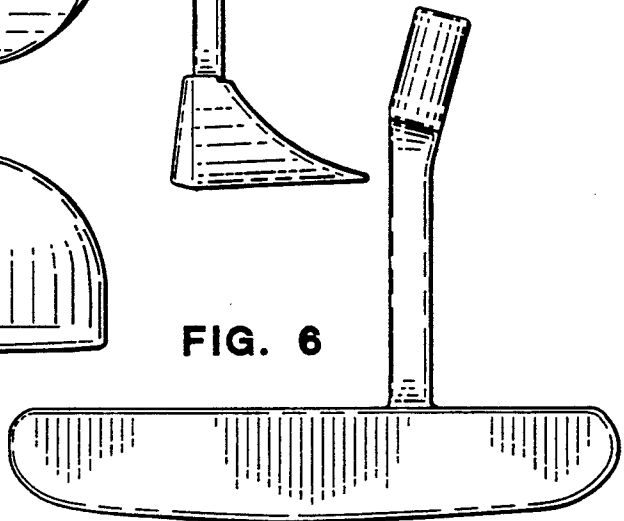


FIG. 6

FIG. 5



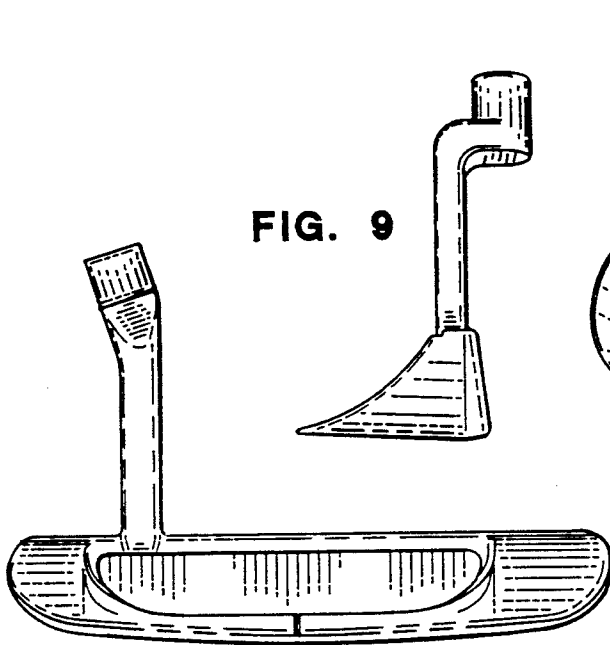


FIG. 9

FIG. 10

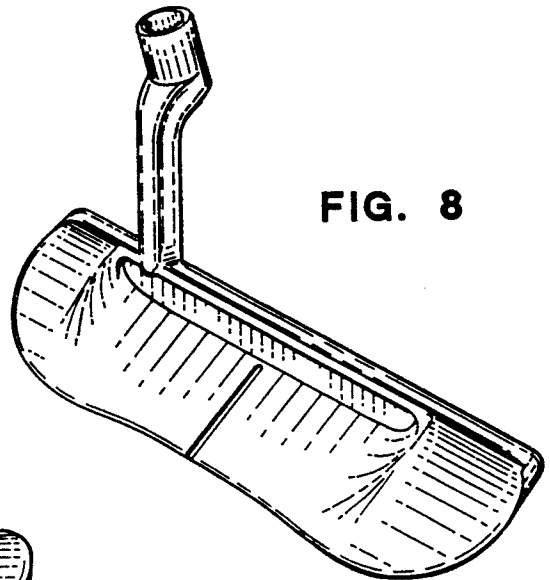


FIG. 8

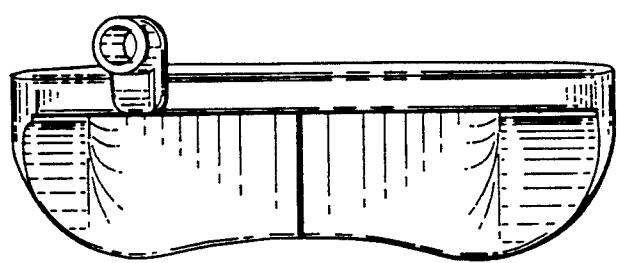


FIG. 11

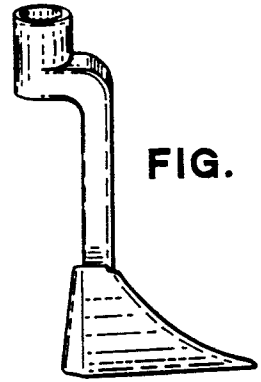


FIG. 14

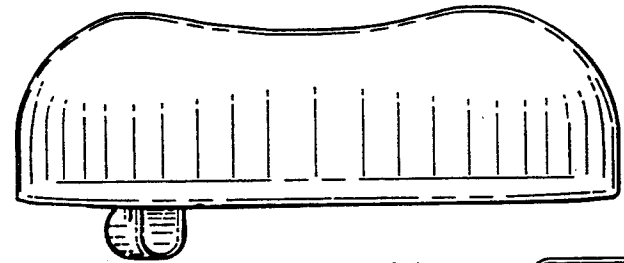


FIG. 12

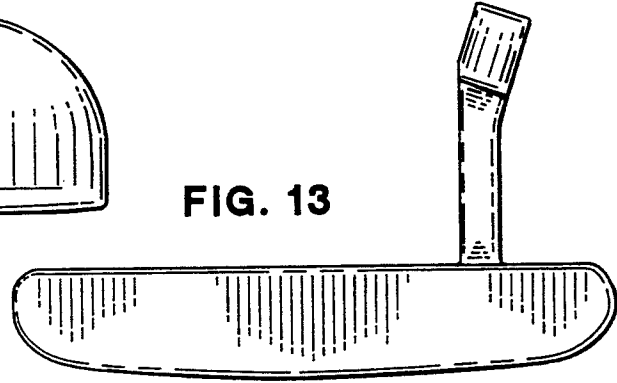


FIG. 13

FIG. 16

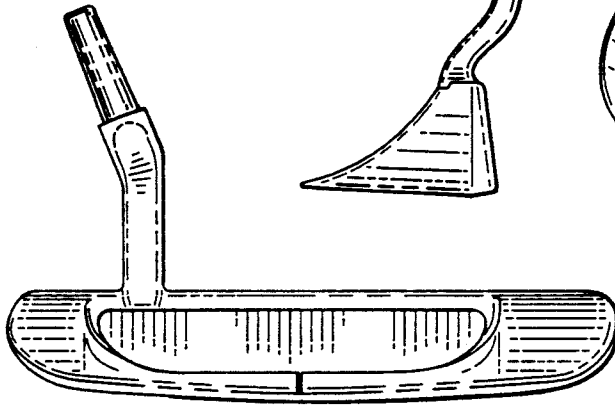
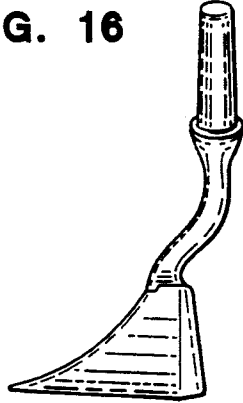


FIG. 17

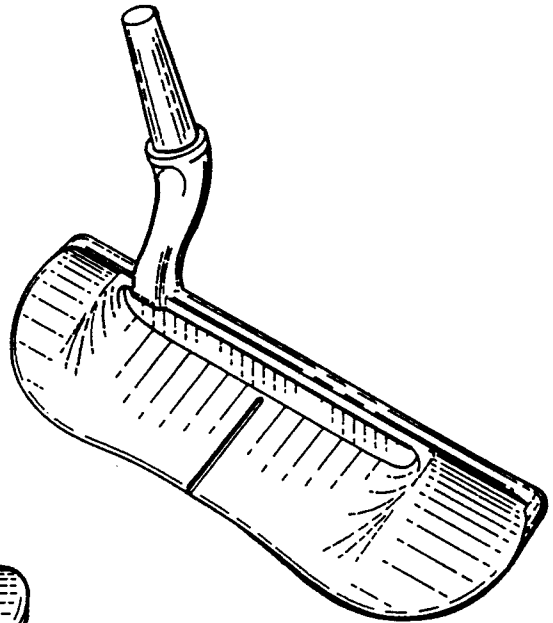


FIG. 15

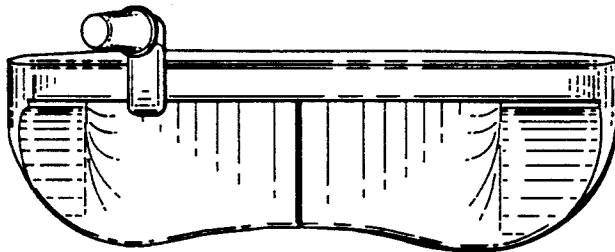


FIG. 18

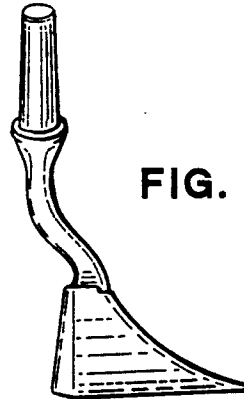


FIG. 21

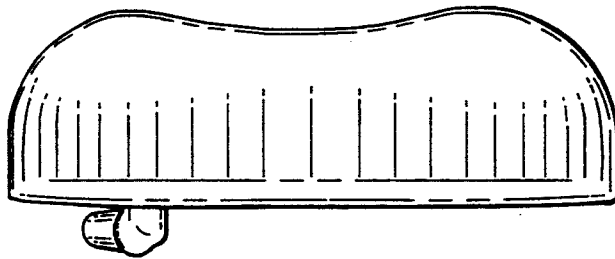
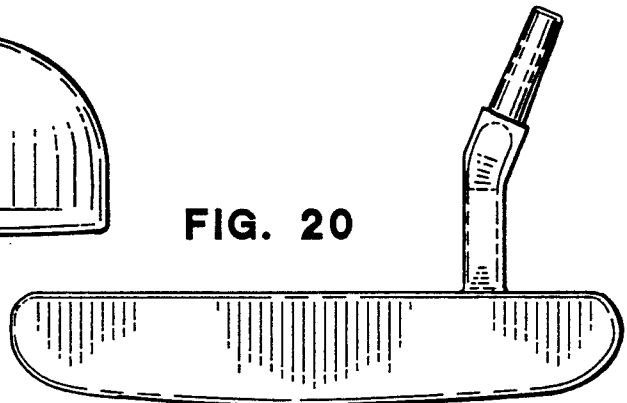


FIG. 19

FIG. 20



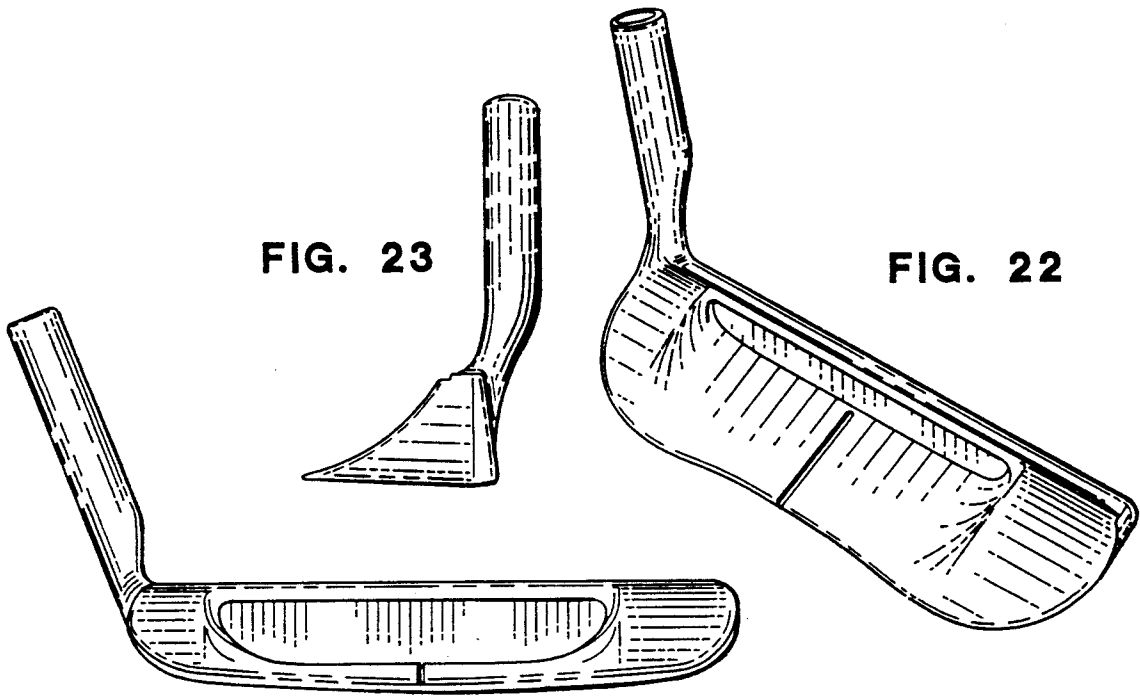


FIG. 23

FIG. 22

FIG. 24

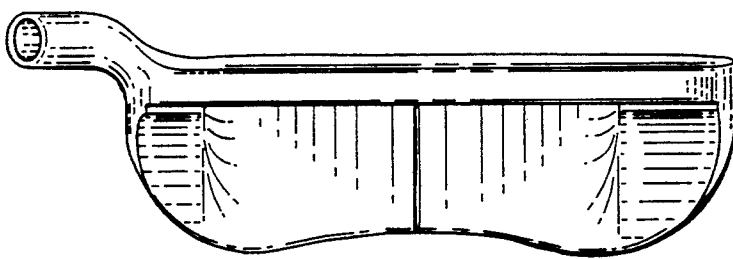


FIG. 25

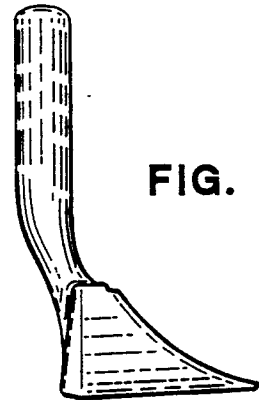


FIG. 28

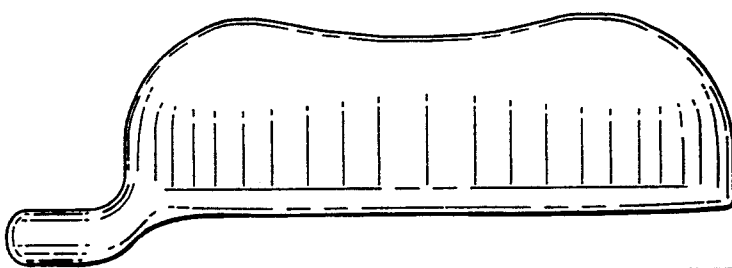


FIG. 26

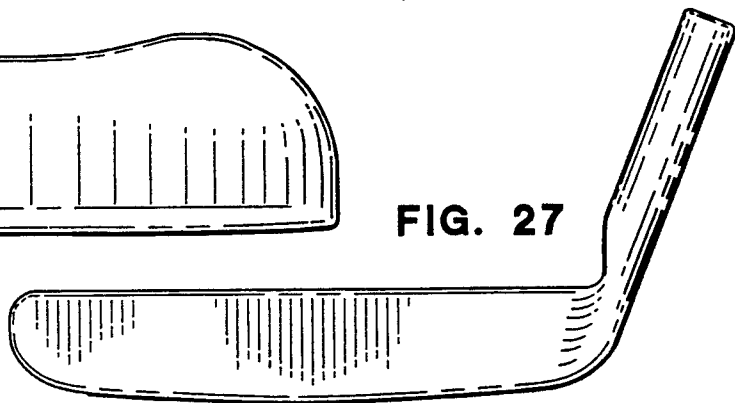


FIG. 27