



US00D760732S

(12) **United States Design Patent**  
**Sakai et al.**

(10) **Patent No.:** **US D760,732 S**

(45) **Date of Patent:** **\*\* Jul. 5, 2016**

(54) **DISPLAY PANEL OR SCREEN WITH GRAPHICAL USER INTERFACE**

(71) Applicant: **Sony Corporation**, Tokyo (JP)

(72) Inventors: **Yusuke Sakai**, Kanagawa (JP); **Hidetoshi Mori**, Tokyo (JP)

(73) Assignee: **Sony Corporation**, Tokyo (JP)

(\*\*) Term: **14 Years**

(21) Appl. No.: **29/478,658**

(22) Filed: **Jan. 7, 2014**

(51) **LOC (10) CL.** ..... **14-04**

(52) **U.S. CL.**

USPC ..... **D14/485**

(58) **Field of Classification Search**

USPC ..... D14/485–495

CPC ... G06F 3/048; G06F 3/0481; G06F 3/0482; G06F 3/0482

See application file for complete search history.

(56) **References Cited**

**U.S. PATENT DOCUMENTS**

5,428,733	A	*	6/1995	Carr	.....	G06T 11/00 345/660
D558,221	S	*	12/2007	Nagata	.....	D14/488
D559,857	S	*	1/2008	Van Dongen	.....	D14/488
7,383,510	B2	*	6/2008	Pry	.....	G06F 17/30864 707/E17.108
D599,806	S	*	9/2009	Brown	.....	D14/485
D633,920	S	*	3/2011	Luke	.....	D14/486
D641,372	S	*	7/2011	Gardner	.....	D14/486
D643,438	S	*	8/2011	Gardner	.....	D14/486
D648,735	S	*	11/2011	Arnold	.....	D14/486
D651,609	S	*	1/2012	Pearson	.....	D14/486
D657,367	S	*	4/2012	Allen	.....	D14/485
D661,702	S		6/2012	Asai et al.		

D664,988	S	*	8/2012	Gleasant	.....	D14/488
D665,395	S	*	8/2012	Lee	.....	D14/485
D668,260	S	*	10/2012	Arnold	.....	D14/488
D673,168	S	*	12/2012	Frijlink	.....	D14/487
D675,224	S	*	1/2013	Lee	.....	D14/488
D677,685	S	*	3/2013	Simmons	.....	D14/486
D681,051	S		4/2013	Asai et al.		

(Continued)

*Primary Examiner* — Kevin Rudzinski

(74) *Attorney, Agent, or Firm* — Michael Best and Friedrich

(57) **CLAIM**

The ornamental design for a display panel or screen with a graphical user interface, as shown and described.

**DESCRIPTION**

FIG. 1 is a front elevational view of a first image of a display panel or screen with a graphical user interface showing our new design;

FIG. 2 is a front elevational view of a second image thereof;

FIG. 3 is a front elevational view of a third image thereof;

FIG. 4 is a front elevational view of a fourth image thereof;

FIG. 5 is a front elevational view of a fifth image thereof;

FIG. 6 is a front elevational view of a sixth image thereof; and

FIG. 7 is a front elevational view of a seventh image thereof.

FIG. 8 is a front elevational view of an eighth image thereof;

FIG. 9 is a front elevational view of a ninth image thereof;

and,

FIG. 10 is a front elevational view of a tenth image thereof.

The appearance of the transitional image transitions sequentially between the images shown in FIGS. 1-10. The process or period in which an image transitions to another forms no part of the claimed design.

The broken line showing of a display panel or screen, and graphical user interface elements forms no part of the claimed design.

**1 Claim, 5 Drawing Sheets**



(56)

References Cited

U.S. PATENT DOCUMENTS

D682,875 S *	5/2013	Frijlink .....	D14/488	D738,908 S *	9/2015	Herold .....	D14/488
D686,237 S *	7/2013	Alucema .....	D14/486	D739,424 S *	9/2015	Ku .....	D14/486
D692,456 S *	10/2013	Brinda .....	D14/488	D742,901 S *	11/2015	Choi .....	D14/486
D695,755 S *	12/2013	Hwang .....	D14/485	D745,878 S *	12/2015	Abbas .....	D14/485
D695,779 S *	12/2013	Edwards .....	D14/488	D746,304 S *	12/2015	Gray .....	D14/485
D695,780 S *	12/2013	Edwards .....	D14/488	D746,323 S *	12/2015	Gray .....	D14/488
D695,781 S *	12/2013	Edwards .....	D14/488	D746,866 S *	1/2016	Memoria .....	D14/492
D699,744 S *	2/2014	Ho Kushner .....	D14/488	D748,120 S *	1/2016	Bauer .....	D14/486
D705,244 S *	5/2014	Arnold .....	D14/486	D748,649 S *	2/2016	Kovacevic .....	D14/486
D705,250 S *	5/2014	Khanna .....	D14/488	D749,124 S *	2/2016	Danton .....	D14/488
D706,796 S *	6/2014	Talbot .....	D14/486	2003/0086719 A1 *	5/2003	Dennison .....	G06F 3/1205 399/81
D707,238 S *	6/2014	Talbot .....	D14/486	2009/0327939 A1 *	12/2009	Johns .....	G11B 27/34 715/765
D710,376 S *	8/2014	Lacour .....	D14/487	2010/0002013 A1 *	1/2010	Kagaya .....	G06F 3/0231 345/619
D711,414 S *	8/2014	Scott .....	D14/486	2010/0125786 A1 *	5/2010	Ozawa .....	G06F 3/04845 715/702
D711,908 S *	8/2014	Lacour .....	D14/487	2010/0180222 A1 *	7/2010	Otsuka .....	G06F 3/0482 715/768
D714,822 S *	10/2014	Capua .....	D14/488	2011/0271226 A1 *	11/2011	Janssen .....	H04L 29/06 715/794
D715,827 S *	10/2014	Lacour .....	D14/487	2013/0254709 A1 *	9/2013	Koshimae .....	G06F 3/0481 715/799
D716,338 S *	10/2014	Lee .....	D14/488	2014/0115533 A1 *	4/2014	Suzuki .....	G06F 3/0488 715/799
D717,336 S *	11/2014	Lacour .....	D14/487	2014/0258897 A1 *	9/2014	Shiplacoff .....	G06F 3/0483 715/764
D717,827 S *	11/2014	Lacour .....	D14/487	2014/0282256 A1 *	9/2014	Fish .....	G06F 3/04886 715/835
D717,828 S *	11/2014	Lacour .....	D14/487	2014/0351728 A1 *	11/2014	Seo .....	H04M 1/72569 715/766
D718,332 S *	11/2014	Lacour .....	D14/487	2014/0365957 A1 *	12/2014	Louch .....	G06F 3/1431 715/790
D718,333 S *	11/2014	Lacour .....	D14/487	2015/0067582 A1 *	3/2015	Donnelly .....	G06F 3/0485 715/784
D720,770 S *	1/2015	Lacour .....	D14/487				
D720,771 S *	1/2015	Lacour .....	D14/487				
D724,612 S *	3/2015	Lai .....	D14/486				
D725,670 S *	3/2015	Zhang .....	D14/488				
D730,382 S *	5/2015	Brinda .....	D14/488				
D731,524 S *	6/2015	Brinda .....	D14/488				
D732,571 S *	6/2015	Yamashita .....	D14/488				
D733,182 S *	6/2015	Seo .....	D14/488				
9,076,085 B2 *	7/2015	Yamada .....	G06K 15/005				
D736,241 S *	8/2015	Sic .....	D14/486				
D737,831 S *	9/2015	Lee .....	D14/485				

\* cited by examiner

FIG.1

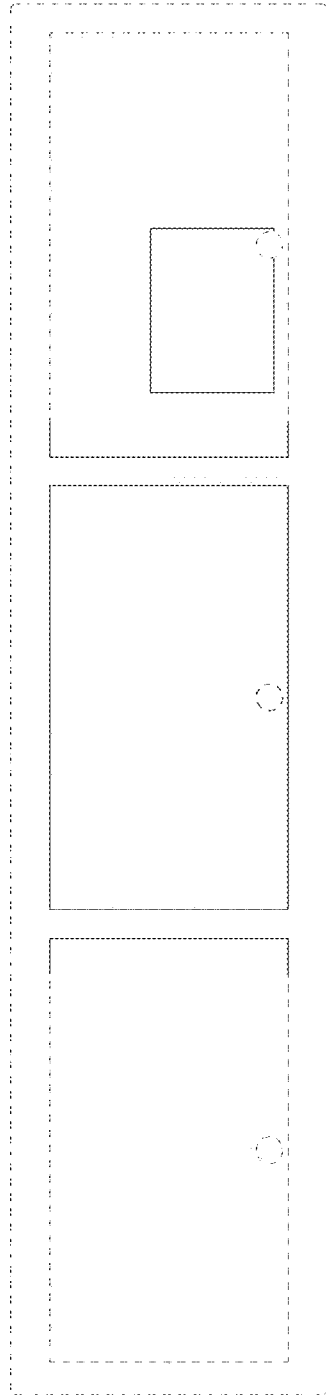


FIG.2

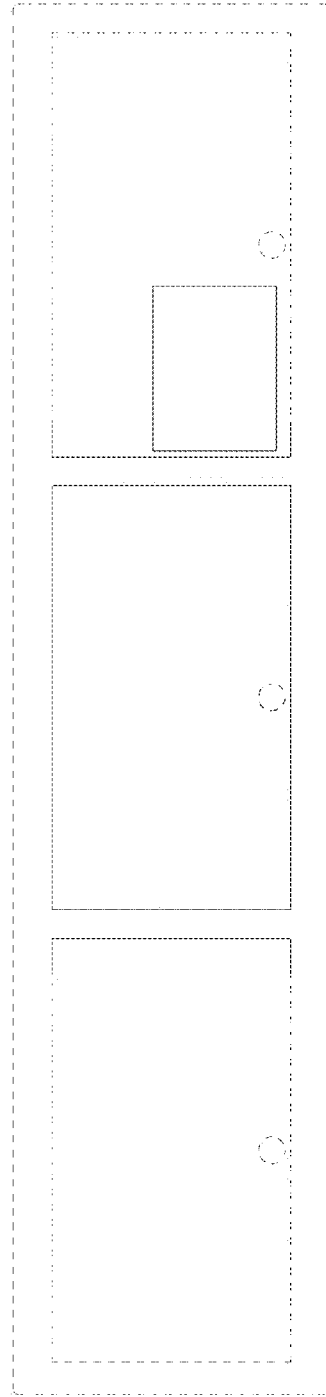


FIG.3

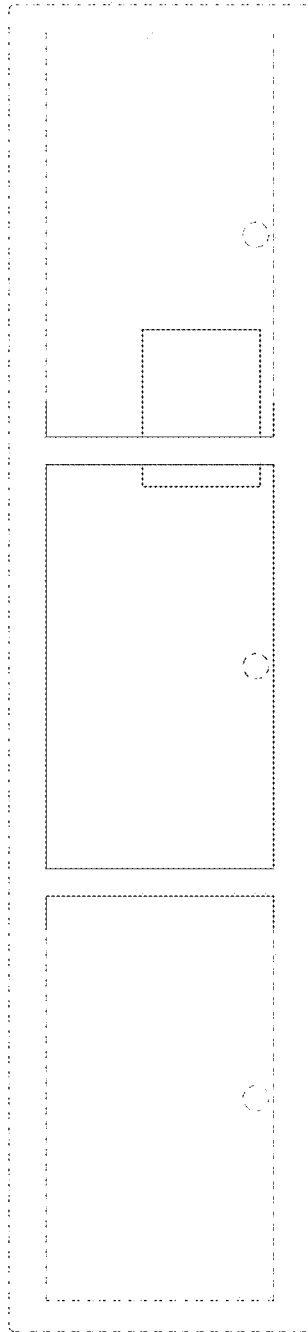


FIG.4

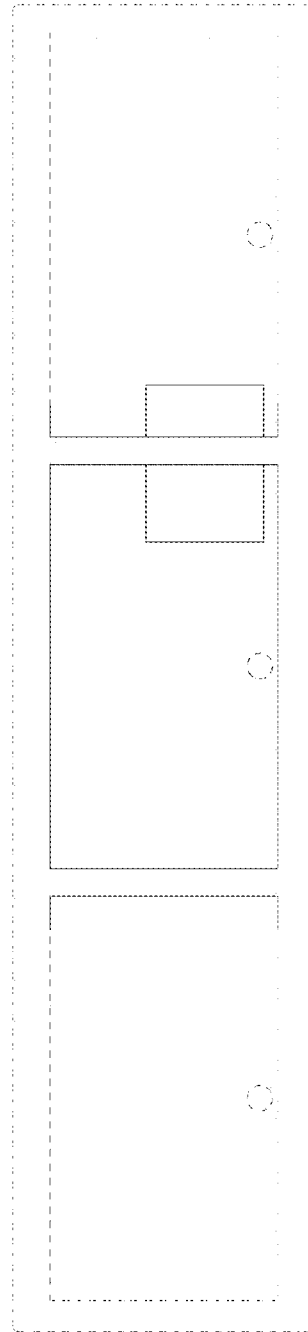


FIG.5

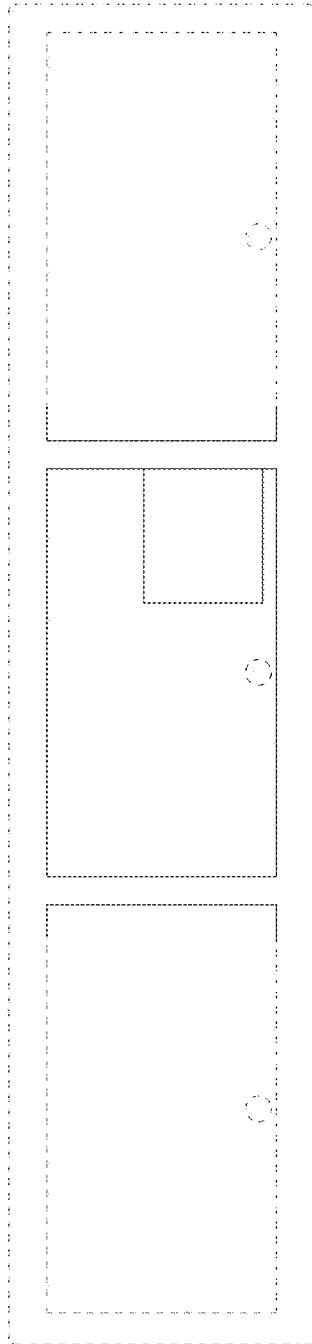


FIG.6

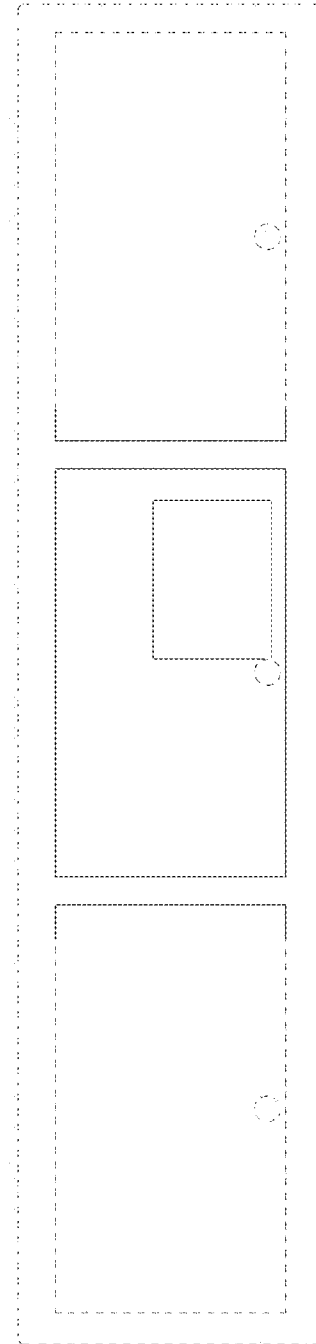


FIG.7

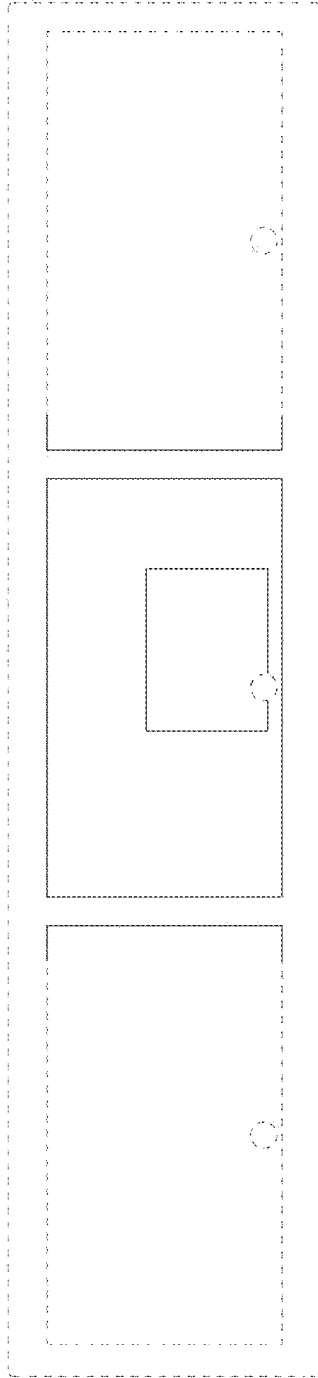


FIG.8

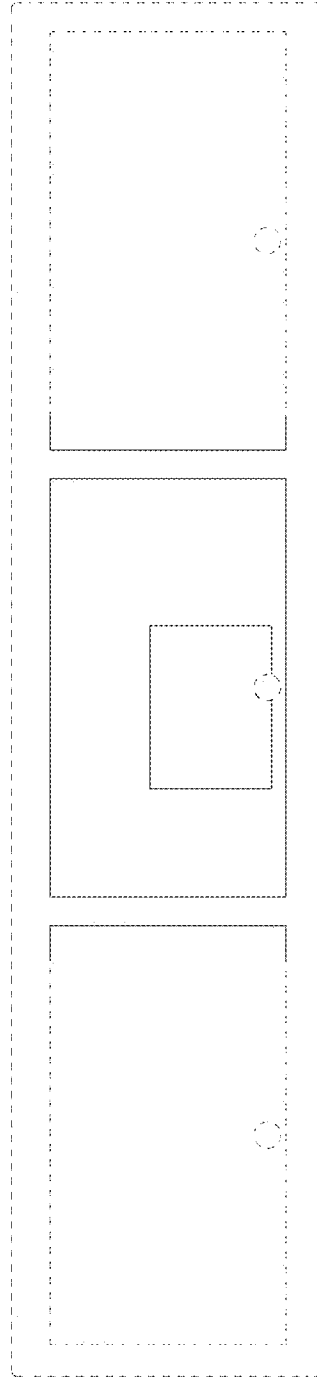


FIG.9

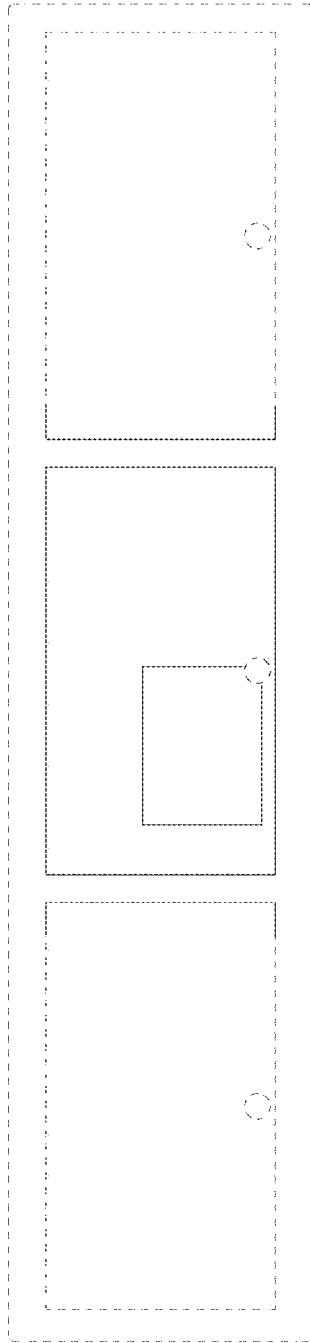


FIG.10

