



(12) **United States Design Patent**
Stoltzfus

(10) **Patent No.:** **US D1,004,355 S**
(45) **Date of Patent:** **** Nov. 14, 2023**

- (54) **KETTLE HOOK FOR FIRE PIT**
- (71) Applicant: **Breco, LLC**, Kinzers, PA (US)
- (72) Inventor: **Amos A. Stoltzfus**, Gordonville, PA (US)
- (73) Assignee: **Breco, LLC**, Kinzers, PA (US)
- (**) Term: **15 Years**

3,111,123	A *	11/1963	Le Fort	F24B 1/182
				126/506
D216,158	S *	11/1969	Williams	D25/68
D266,482	S *	10/1982	Goldstein	D8/381
4,856,423	A *	8/1989	Burns	A47J 33/00
				126/30
D315,862	S *	4/1991	Specker, Jr.	D8/380
D327,839	S *	7/1992	Stumpf	D8/381
D342,184	S *	12/1993	Sanchez	D7/335
D396,379	S *	7/1998	Stoetzel	D7/335

(Continued)

- (21) Appl. No.: **29/854,561**
- (22) Filed: **Sep. 26, 2022**

Related U.S. Application Data

- (62) Division of application No. 29/707,427, filed on Sep. 27, 2019, now Pat. No. Des. 965,373.
- (51) **LOC (14) Cl.** **07-02**
- (52) **U.S. Cl.**
USPC **D7/336**
- (58) **Field of Classification Search**
USPC D23/332, 341, 347, 343, 386; D7/332, D7/335, 336, 409; D8/363, 380, 381
CPC .. A47J 33/00; A47J 33/07; A47J 36/34; A47J 37/0772; A47J 37/0786; A47J 2037/0795; F24B 1/182; F24B 1/183; F24C 15/107
See application file for complete search history.

(56) **References Cited**

U.S. PATENT DOCUMENTS

2,523,200	A *	9/1950	Durst, Jr.	A47J 37/0772
				126/30
2,604,884	A *	7/1952	Walker	A47J 37/0772
				126/30
2,914,283	A *	11/1959	Jorgensen	A47J 37/0772
				126/30
2,960,979	A *	11/1960	Stone	A47J 37/0772
				126/30
2,977,953	A *	4/1961	Dowdy	A47J 37/0763
				126/30
D191,186	S *	8/1961	Maki	D7/336

OTHER PUBLICATIONS

Breco photo, Feb. 29, 2020, Facebook, site visited May 23, 2022: <https://www.facebook.com/brecoillc/photos/a.369857039820382/1716305781842161/?type=3> (Year: 2020).*

(Continued)

Primary Examiner — Jack Reickel
Assistant Examiner — Bobby W Jones, II
(74) *Attorney, Agent, or Firm* — Fred Zollinger

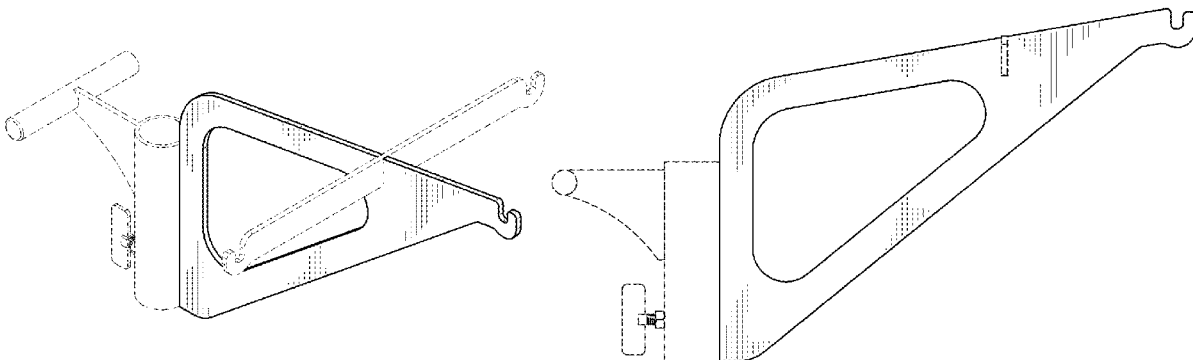
(57) **CLAIM**

The ornamental design for a kettle hook for fire pit, as shown and described.

DESCRIPTION

FIG. 1 is a perspective view of a kettle hook for fire pit showing my new design.
FIG. 2 is a front elevation view thereof.
FIG. 3 is a rear elevation view thereof.
FIG. 4 is a left side elevation view thereof.
FIG. 5 is a right side elevation view thereof.
FIG. 6 is a top plan view thereof; and,
FIG. 7 is a bottom plan view thereof.
The features depicted in broken lines form no part of the claimed design.

1 Claim, 5 Drawing Sheets



(56)

References Cited

U.S. PATENT DOCUMENTS

5,944,009 A * 8/1999 Scheller A47J 33/00
126/30
6,361,004 B1 * 3/2002 Witherspoon A47J 37/0786
248/231.71
6,578,568 B1 * 6/2003 Dufort F24B 1/205
126/30
D734,975 S * 7/2015 Troyer, Jr. D7/332
11,278,153 B2 * 3/2022 Stoltzfus F24C 15/08
D965,373 S * 10/2022 Stoltzfus D7/336
2006/0112950 A1 * 6/2006 Czajkoski F24B 1/182
126/30
2007/0289587 A1 * 12/2007 Eckes F24B 1/205
126/30
2015/0285507 A1 * 10/2015 Troyer, Jr. F24B 1/182
126/30
2021/0045578 A1 * 2/2021 Stoltzfus F24B 1/191

OTHER PUBLICATIONS

BreeRainz Swivel Campfire Grill, May 27, 2021, Amazon, site visited Jun. 26, 2023: <https://www.amazon.ca/dp/B0932RRQ4M/> (Year: 2021).*

Kudu Dutch Oven Hanger, Oct. 25, 2018, Facebook, site visited May 23, 2022: <https://www.facebook.com/kudugrills/photos/using-the-kudu-dutch-oven-hanger-potjie-charcoal-starters-and-cast-iron-skilllet-/1053544388141062/> (Year: 2018).*

Minuteman International Crane Fireplace Pot Hanger, Dec. 11, 2017, Amazon, site visited May 23, 2022: <https://www.amazon.com/dp/B0006Q4IBK> (Year: 2017).*

* cited by examiner

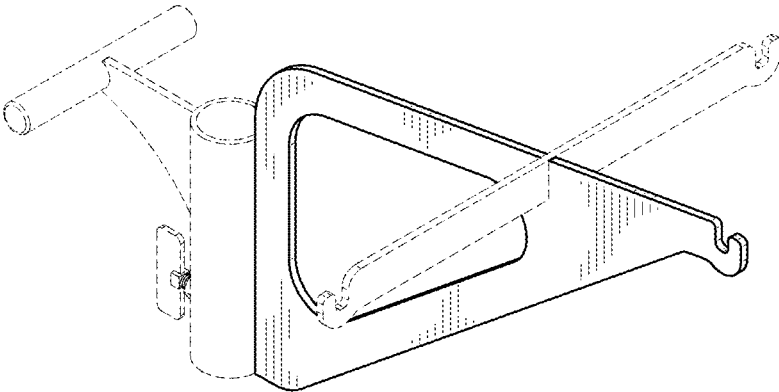


FIG. 1

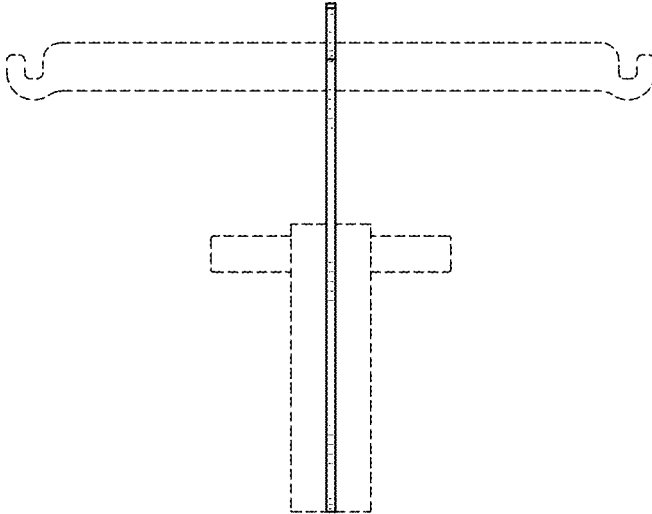


FIG. 2

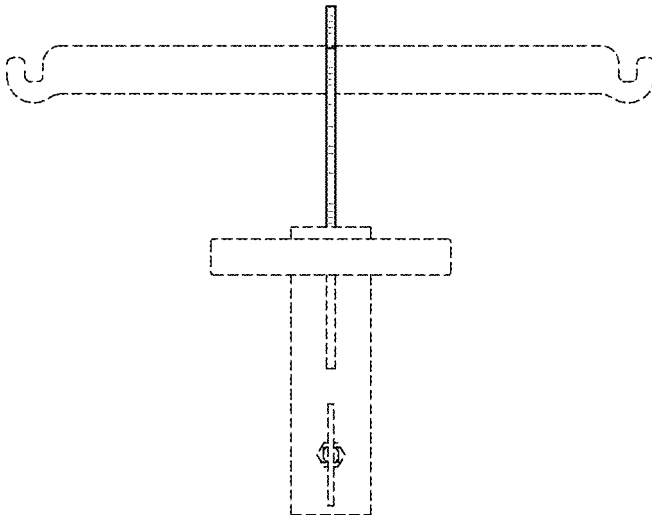


FIG. 3

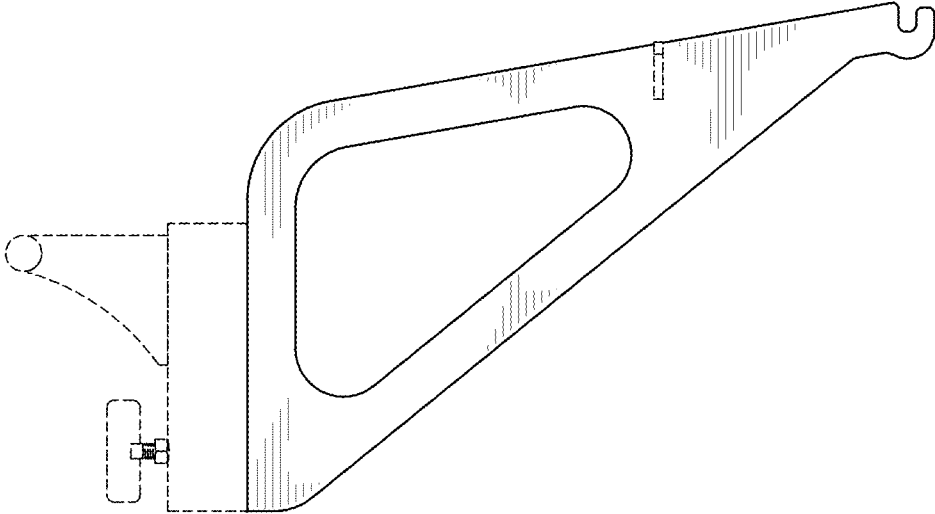


FIG. 4

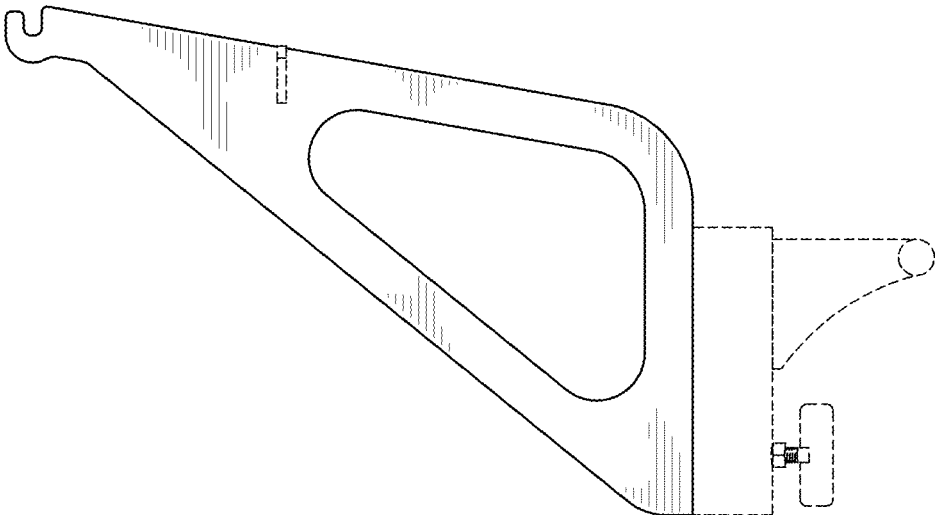


FIG. 5

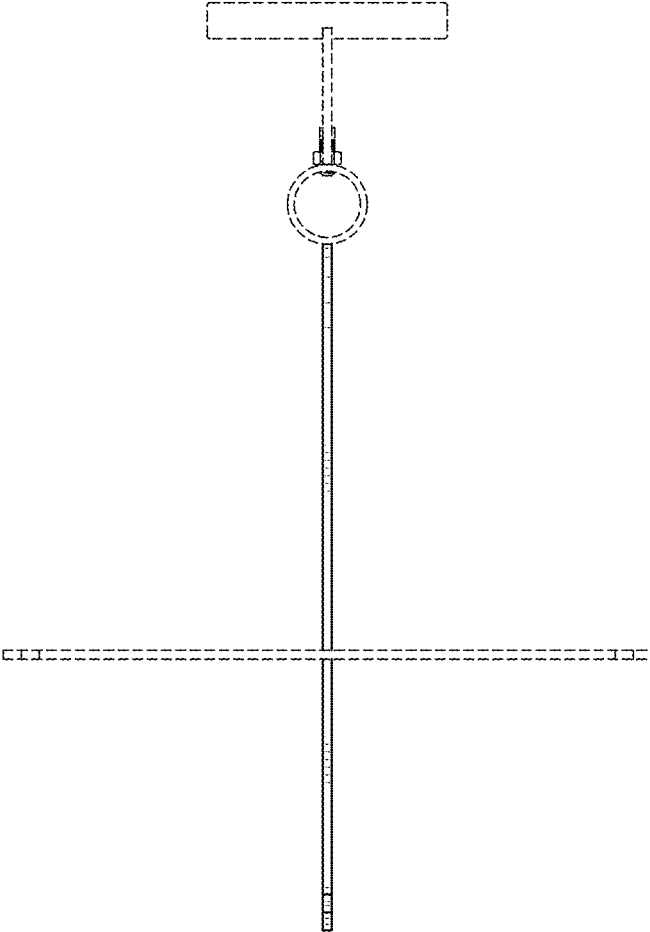


FIG. 6

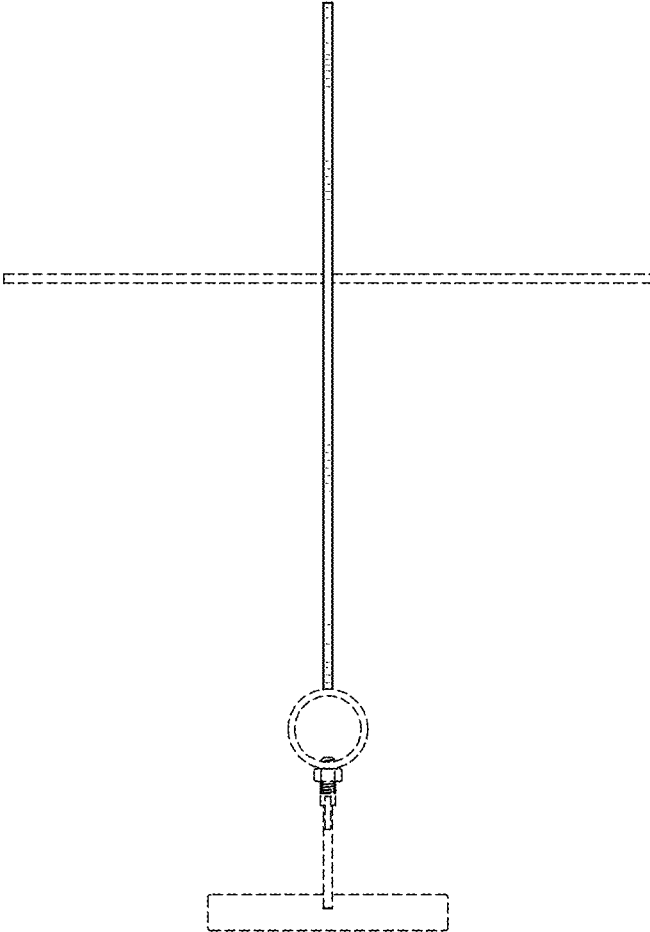


FIG. 7