



US00D509596S

(12) **United States Design Patent** (10) **Patent No.:** **US D509,596 S**
Cant (45) **Date of Patent:** **** Sep. 13, 2005**

(54) **PAVING OR BORDER BRICK**
(75) Inventor: **Richard Samuel Cant**, Bulleen (AU)
(73) Assignee: **Jagna Ltd.**, Thornhill (CA)
(**) Term: **14 Years**

(21) Appl. No.: **29/191,937**
(22) Filed: **Oct. 16, 2003**
(30) **Foreign Application Priority Data**

Apr. 16, 2003 (AU) 1282/03
(51) **LOC (8) Cl.** **25-01**
(52) **U.S. Cl.** **D25/113**
(58) **Field of Search** D25/112-118,
D25/164, 199; D21/483-486, 499-500;
404/17, 19-20, 27-31, 34-42; 52/102, 596,
574, 612, 603-609

(56) **References Cited**
U.S. PATENT DOCUMENTS
6,811,352 B1 * 11/2004 Meerkerk 52/604
* cited by examiner

Primary Examiner—Robert A. Delehanty
(74) *Attorney, Agent, or Firm*—Collard & Roe, P.C.

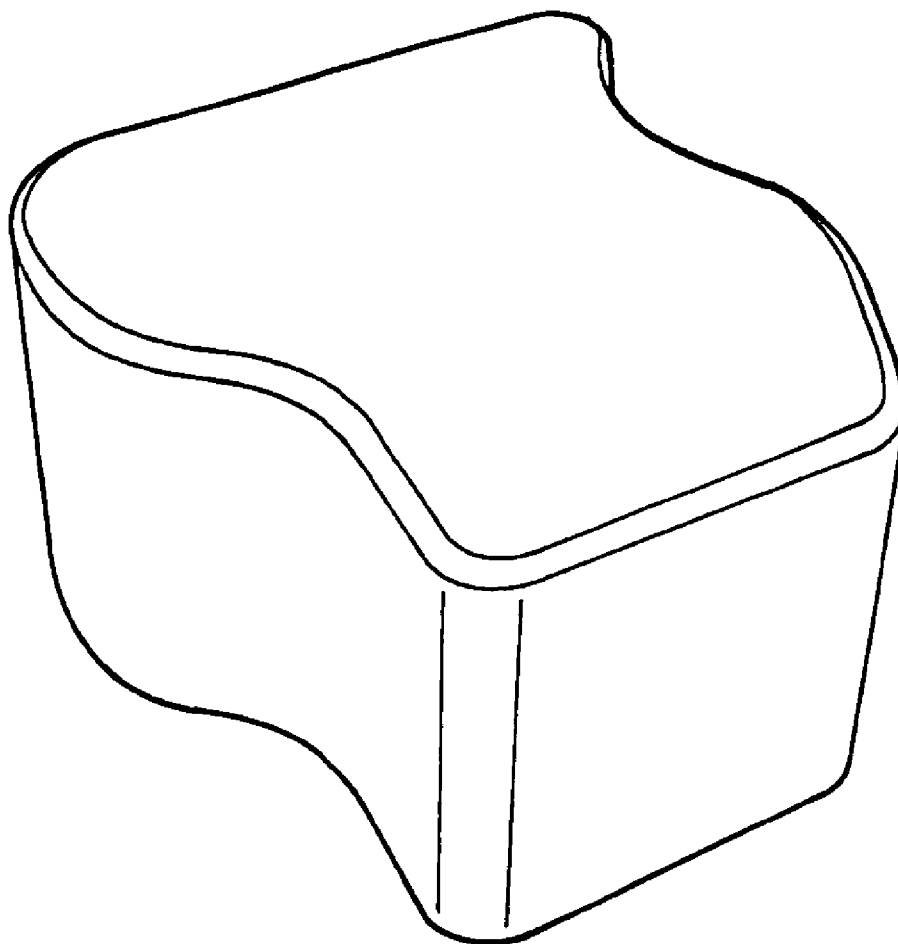
(57) **CLAIM**

The ornamental design for a paving or border brick, as shown and described.

DESCRIPTION

FIG. 1 is a front perspective view of a paving or border brick, showing my new design;
FIG. 2 is another front perspective view taken from a different angle;
FIG. 3 is a top plan view thereof;
FIG. 4 is a perspective view of a combination of several bricks as shown in FIGS. 1 and 3, blocks assembled to form a curve;
FIG. 5 is a top plan view of the assembly shown in FIG. 4; and,
FIG. 6 is a perspective view of a plurality of bricks as shown in FIGS. 1 to 3, assembled in such a manner as to be aligned. The broken line showing like blocks is for illustrative purposes only and forms no part of the claimed design.

1 Claim, 4 Drawing Sheets



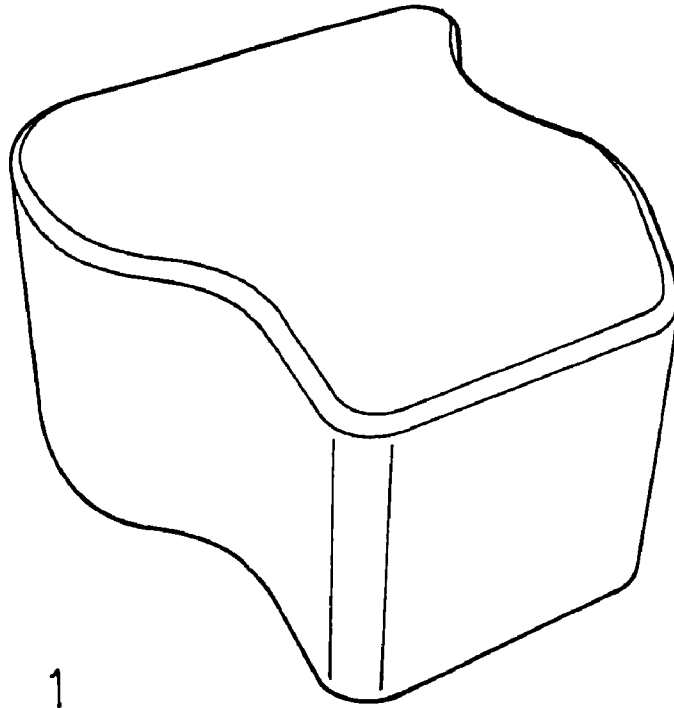


FIG. 1

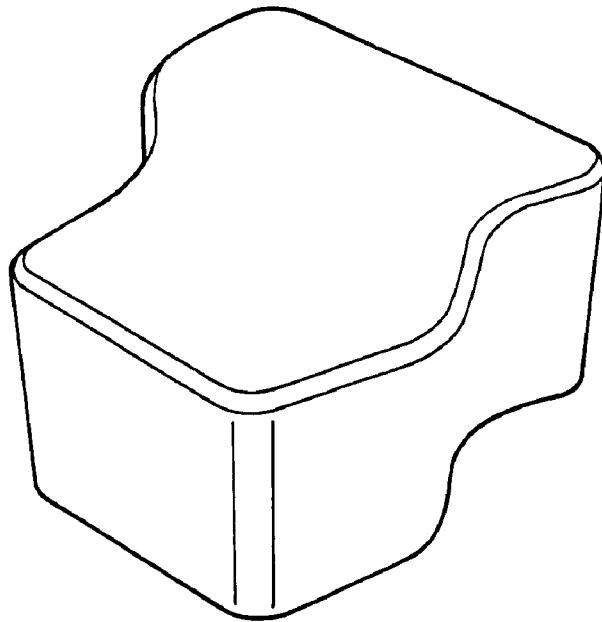


FIG. 2

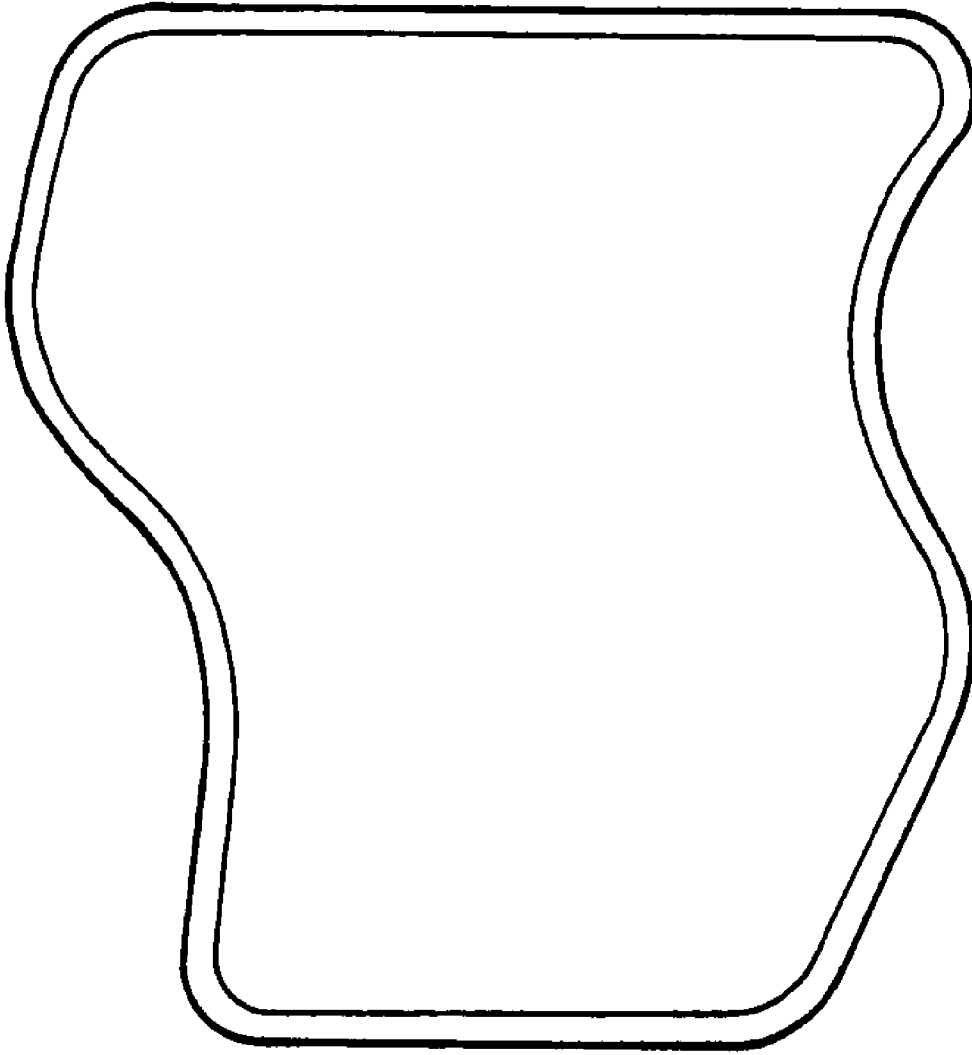


FIG. 3

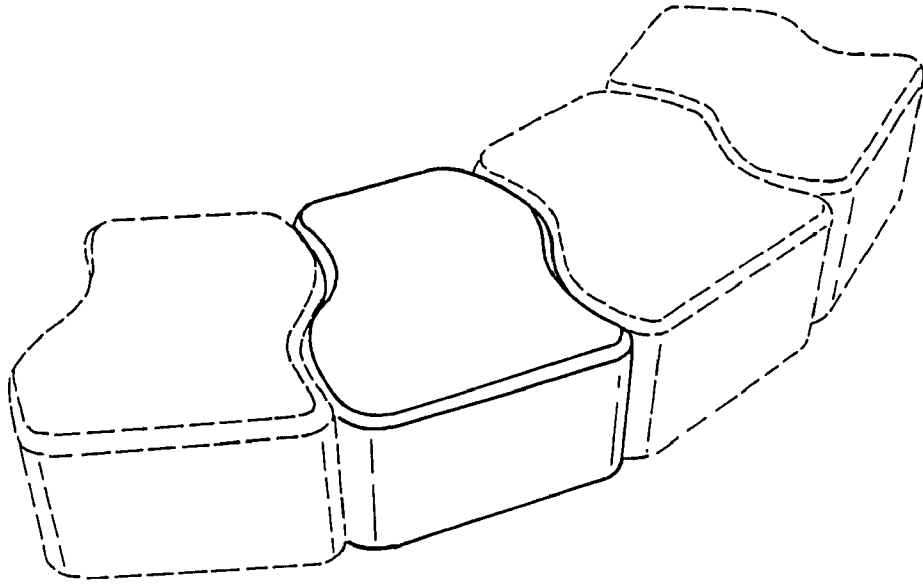


FIG. 4

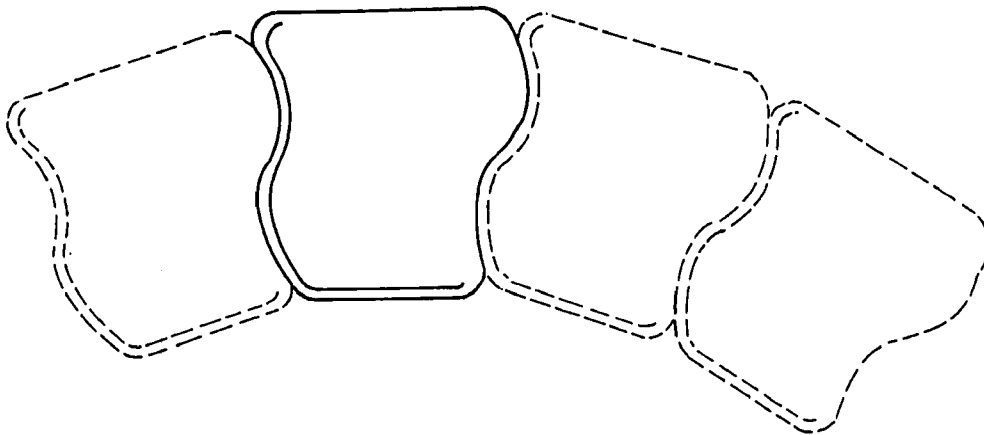


FIG. 5

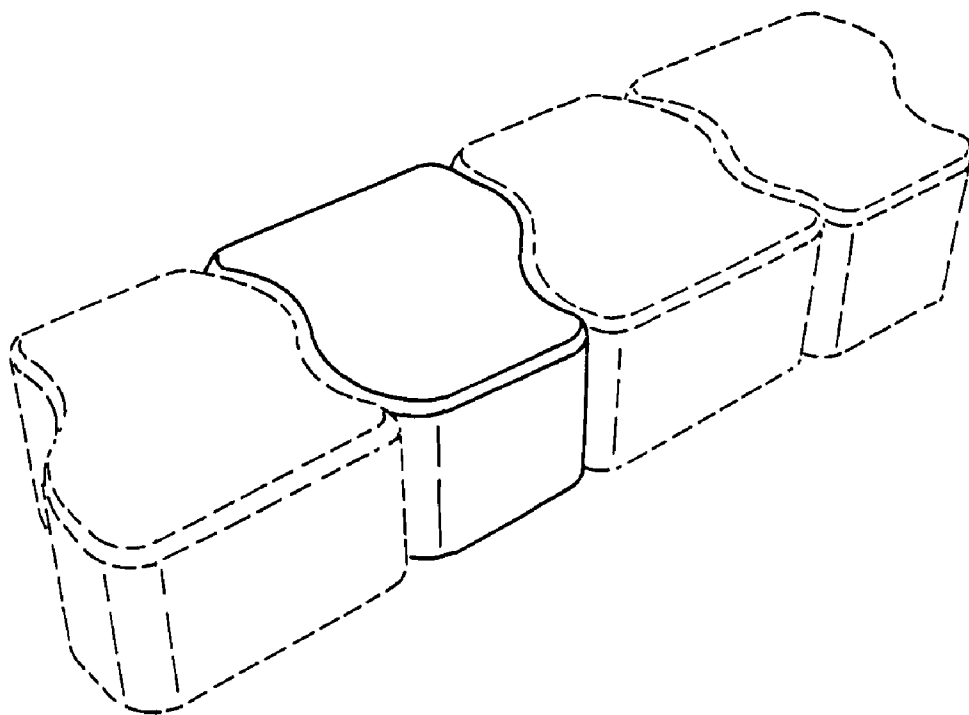


FIG. 6