



(51) International Patent Classification:

H04W 24/02 (2009.01) H04W 4/02 (2009.01)  
H04W 16/16 (2009.01) H04W 72/04 (2009.01)  
H04W 64/00 (2009.01)

(21) International Application Number:

PCT/IB2011/054902

(22) International Filing Date:

3 November 2011 (03.11.2011)

(25) Filing Language:

English

(26) Publication Language:

English

(30) Priority Data:

13/042,038 7 March 2011 (07.03.2011) US

(71) Applicant (for all designated States except US): TELEFONAKTIEBOLAGET L M ERICSSON (PUBL) [SE/SE]; S-164 83 Stockholm (SE).

(72) Inventors; and

(75) Inventors/Applicants (for US only): KOORAPATY, Havish [US/US]; 13425 Kodiak Place, Saratoga, CA 95070 (US). SACHS, Joachim [DE/DE]; Viktoriaallee 23, 52066 Aachen (DE). RAHMAN, Muhammad Imadur [BD/SE]; Rådjursstigen 20, S-191 46 Sollentuna (SE). BALACHANDRAN, Kumar [US/US]; 5783 San Antonio Street, Pleasanton, CA 94566 (US).

(74) Agents: CASON, Todd et al.; 6300 Legacy, MS EVR 1-C-11, Plano, TX 75024 (US).

(81) Designated States (unless otherwise indicated, for every kind of national protection available):

AE, AG, AL, AM, AO, AT, AU, AZ, BA, BB, BG, BH, BR, BW, BY, BZ, CA, CH, CL, CN, CO, CR, CU, CZ, DE, DK, DM, DO, DZ, EC, EE, EG, ES, FI, GB, GD, GE, GH, GM, GT, HN, HR, HU, ID, IL, IN, IS, JP, KE, KG, KM, KN, KP, KR, KZ, LA, LC, LK, LR, LS, LT, LU, LY, MA, MD, ME, MG, MK, MN, MW, MX, MY, MZ, NA, NG, NI, NO, NZ, OM, PE, PG, PH, PL, PT, QA, RO, RS, RU, RW, SC, SD, SE, SG, SK, SL, SM, ST, SV, SY, TH, TJ, TM, TN, TR, TT, TZ, UA, UG, US, UZ, VC, VN, ZA, ZM, ZW.

(84) Designated States (unless otherwise indicated, for every kind of regional protection available):

ARIPO (BW, GH, GM, KE, LR, LS, MW, MZ, NA, RW, SD, SL, SZ, TZ, UG, ZM, ZW), Eurasian (AM, AZ, BY, KG, KZ, MD, RU, TJ, TM), European (AL, AT, BE, BG, CH, CY, CZ, DE, DK, EE, ES, FI, FR, GB, GR, HR, HU, IE, IS, IT, LT, LU, LV, MC, MK, MT, NL, NO, PL, PT, RO, RS, SE, SI, SK, SM, TR), OAPI (BF, BJ, CF, CG, CI, CM, GA, GN, GQ, GW, ML, MR, NE, SN, TD, TG).

Published:

- with international search report (Art. 21(3))
- before the expiration of the time limit for amending the claims and to be republished in the event of receipt of amendments (Rule 48.2(h))

(88) Date of publication of the international search report:

8 November 2012

(54) Title: WIRELESS DEVICE POSITION DETERMINING AND FREQUENCY ASSIGNING SYSTEMS, DEVICES AND METHODS

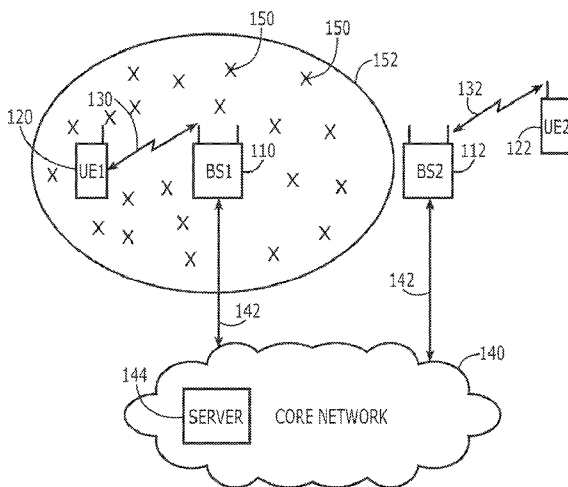


FIG. 1

(57) Abstract: Wireless communication methods determine a position of a first wireless base station. A wireless communication frequency to be used by the first wireless base station is determined by identifying a common frequency that can be used at a plurality of locations surrounding and spaced apart from the position of the first wireless base station that was determined. The first wireless base station may be a femto-base station and the frequency may be an unlicensed frequency. Related systems and devices are also described.



# INTERNATIONAL SEARCH REPORT

International application No PCT/IB2011/054902
---

**A. CLASSIFICATION OF SUBJECT MATTER**  
 INV. H04W24/02 H04W16/16 H04W64/00 H04W4/02  
 ADD. H04W72/04

According to International Patent Classification (IPC) or to both national classification and IPC

**B. FIELDS SEARCHED**  
 Minimum documentation searched (classification system followed by classification symbols)  
 H04W

Documentation searched other than minimum documentation to the extent that such documents are included in the fields searched

Electronic data base consulted during the international search (name of data base and, where practicable, search terms used)  
 EPO-Internal, WPI Data

**C. DOCUMENTS CONSIDERED TO BE RELEVANT**

Category*	Citation of document, with indication, where appropriate, of the relevant passages	Relevant to claim No.
X	US 2006/211431 A1 (MANSOUR NAGI A [US] ET AL) 21 September 2006 (2006-09-21) paragraph [0003] - paragraph [0004] paragraph [0016] paragraph [0018] - paragraph [0025] -----	1-15
X	US 2008/318596 A1 (TENNY NATHAN EDWARD [US]) 25 December 2008 (2008-12-25) paragraph [0007] - paragraph [0010] paragraph [0035] - paragraph [0043] -----	10-15
X	WO 2008/093103 A2 (UBIQUISYS LTD [GB]; GIUSTINA ANDREA [IT]; HATALA EDWARD [GB]) 7 August 2008 (2008-08-07) page 6, line 20 - page 9, line 4 page 10, line 16 - page 11, line 6 ----- -/--	10-15

Further documents are listed in the continuation of Box C.       See patent family annex.

\* Special categories of cited documents :

<p>"A" document defining the general state of the art which is not considered to be of particular relevance</p> <p>"E" earlier application or patent but published on or after the international filing date</p> <p>"L" document which may throw doubts on priority claim(s) or which is cited to establish the publication date of another citation or other special reason (as specified)</p> <p>"O" document referring to an oral disclosure, use, exhibition or other means</p> <p>"P" document published prior to the international filing date but later than the priority date claimed</p>	<p>"T" later document published after the international filing date or priority date and not in conflict with the application but cited to understand the principle or theory underlying the invention</p> <p>"X" document of particular relevance; the claimed invention cannot be considered novel or cannot be considered to involve an inventive step when the document is taken alone</p> <p>"Y" document of particular relevance; the claimed invention cannot be considered to involve an inventive step when the document is combined with one or more other such documents, such combination being obvious to a person skilled in the art</p> <p>"&amp;" document member of the same patent family</p>
---	---

Date of the actual completion of the international search  7 September 2012	Date of mailing of the international search report  14/09/2012
---	--

Name and mailing address of the ISA/ European Patent Office, P.B. 5818 Patentlaan 2 NL - 2280 HV Rijswijk Tel. (+31-70) 340-2040, Fax: (+31-70) 340-3016	Authorized officer  López Pérez, Mariano
--	--

## INTERNATIONAL SEARCH REPORT

International application No

PCT/IB2011/054902

C(Continuation). DOCUMENTS CONSIDERED TO BE RELEVANT

Category*	Citation of document, with indication, where appropriate, of the relevant passages	Relevant to claim No.
X	US 2009/088167 A1 (JALIL REHAN [US] ET AL) 2 April 2009 (2009-04-02) paragraph [0002] paragraph [0017] - paragraph [0037] -----	16-21
X,P	EP 2 306 764 A1 (THOMSON TELECOM BELGIUM [BE]) 6 April 2011 (2011-04-06) paragraph [0004] paragraph [0015] - paragraph [0016] paragraph [0030] - paragraph [0041] -----	1-21

# INTERNATIONAL SEARCH REPORT

Information on patent family members

International application No

PCT/IB2011/054902

Patent document cited in search report	Publication date	Patent family member(s)	Publication date
US 2006211431	A1	21-09-2006	NONE
US 2008318596	A1	25-12-2008	CN 101682907 A 24-03-2010
		EP 2165548 A1	24-03-2010
		JP 2010531583 A	24-09-2010
		KR 20100022117 A	26-02-2010
		US 2008318596 A1	25-12-2008
		WO 2008157841 A1	24-12-2008
WO 2008093103	A2	07-08-2008	DE 202008018008 U1 05-08-2011
		EP 2119298 A2	18-11-2009
		GB 2446847 A	27-08-2008
		GB 2480191 A	09-11-2011
		GB 2480192 A	09-11-2011
		JP 2010518670 A	27-05-2010
		US 2008188243 A1	07-08-2008
		US 2012184303 A1	19-07-2012
		WO 2008093103 A2	07-08-2008
US 2009088167	A1	02-04-2009	US 2009088167 A1 02-04-2009
		US 2010216463 A1	26-08-2010
		US 2012220304 A1	30-08-2012
EP 2306764	A1	06-04-2011	CN 102598759 A 18-07-2012
		EP 2306764 A1	06-04-2011
		EP 2484140 A1	08-08-2012
		WO 2011039287 A1	07-04-2011