

(19) World Intellectual Property Organization
International Bureau



(43) International Publication Date
7 December 2006 (07.12.2006)

PCT

(10) International Publication Number
WO 2006/130765 A3

(51) International Patent Classification:

A63B 23/04 (2006.01) A63B 71/00 (2006.01)
A63B 21/05 (2006.01)

(74) Agents: STAVISH, Matthew, W. et al.; Berenato, White & Stavish, Suite 240, 6550 Rock Spring Drive, Bethesda, MD 20817 (US).

(21) International Application Number:

PCT/US2006/021274

(81) Designated States (unless otherwise indicated, for every kind of national protection available): AE, AG, AL, AM, AT, AU, AZ, BA, BB, BG, BR, BW, BY, BZ, CA, CH, CN, CO, CR, CU, CZ, DE, DK, DM, DZ, EC, EE, EG, ES, FI, GB, GD, GE, GH, GM, HR, HU, ID, IL, IN, IS, JP, KE, KG, KM, KN, KP, KR, KZ, LC, LK, LR, LS, LT, LU, LV, LY, MA, MD, MG, MK, MN, MW, MX, MZ, NA, NG, NI, NO, NZ, OM, PG, PH, PL, PT, RO, RU, SC, SD, SE, SG, SK, SL, SM, SY, TJ, TM, TN, TR, TT, TZ, UA, UG, US, UZ, VC, VN, YU, ZA, ZM, ZW.

(22) International Filing Date: 1 June 2006 (01.06.2006)

(25) Filing Language: English

(26) Publication Language: English

(30) Priority Data:

11/142,367 2 June 2005 (02.06.2005) US
11/365,996 2 March 2006 (02.03.2006) US

(71) Applicant (for all designated States except US): J. TRUE MARTIN IRREVOCABLE TRUST [US/US]; 2878 Mahan Drive, Tallahassee, FL 32308 (US).

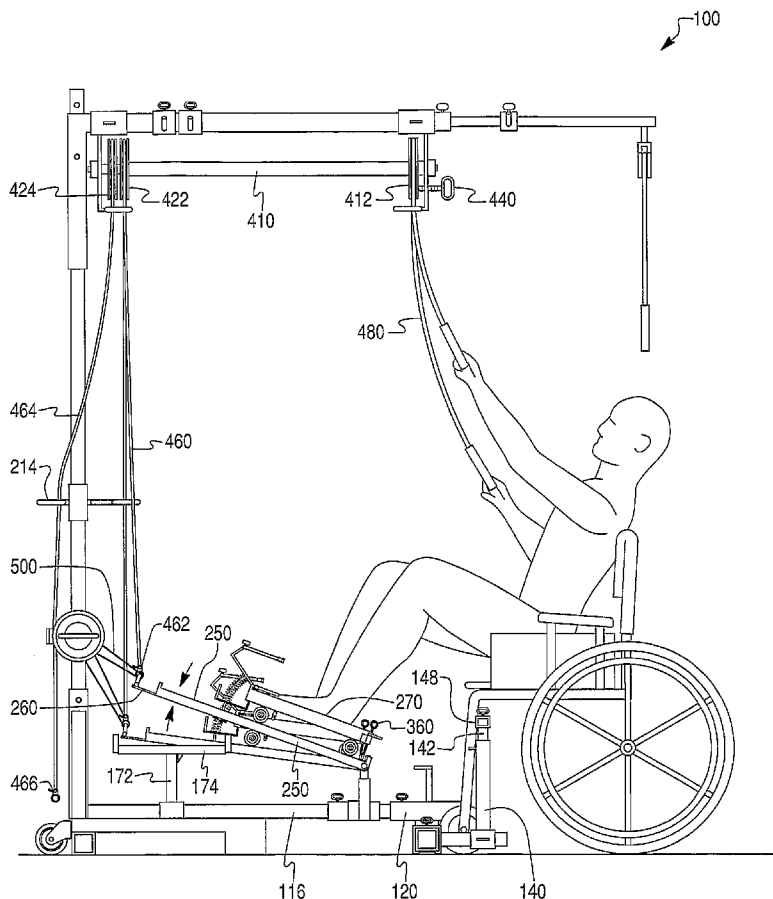
(72) Inventors; and

(75) Inventors/Applicants (for US only): MARTIN, J. True [US/US]; 3364 Charleston Road, Tallahassee, FL 32309 (US). MARTIN, Wallace, Kent [US/US]; 1221 Sarasota Drive, Tallahassee, FL 32302 (US).

(84) Designated States (unless otherwise indicated, for every kind of regional protection available): ARIPO (BW, GH, GM, KE, LS, MW, MZ, NA, SD, SL, SZ, TZ, UG, ZM, ZW), Eurasian (AM, AZ, BY, KG, KZ, MD, RU, TJ, TM), European (AT, BE, BG, CH, CY, CZ, DE, DK, EE, ES, FI, FR, GB, GR, HU, IE, IS, IT, LT, LU, LV, MC, NL, PL, PT,

[Continued on next page]

(54) Title: EXERCISE APPARATUS FOR SEATED USER, AND RELATED METHODS



(57) Abstract: An exercise apparatus and method are provided for permitting a seated user, such as a wheelchair occupant, to perform a variety of exercises, preferably including both lower extremity and upper body exercises, without the need to leave a seated position. The exercise apparatus includes a support base, and first and second foot assemblies each configured to receive a respective foot of a seated user of the apparatus. According to an embodiment, the first and second foot assemblies are mounted on the support base to permit selective performance and switching between a pivoting exercise and a translational sliding exercise.

WO 2006/130765 A3



RO, SE, SI, SK, TR), OAPI (BF, BJ, CF, CG, CI, CM, GA,
GN, GQ, GW, ML, MR, NE, SN, TD, TG).

(88) Date of publication of the international search report:
19 July 2007

Published:

— with international search report

For two-letter codes and other abbreviations, refer to the "Guidance Notes on Codes and Abbreviations" appearing at the beginning of each regular issue of the PCT Gazette.

INTERNATIONAL SEARCH REPORT

International application No
PCT/US2006/021274

A. CLASSIFICATION OF SUBJECT MATTER
INV. A63B23/04 A63B21/05 A63B71/00

According to International Patent Classification (IPC) or to both national classification and IPC

B. FIELDS SEARCHED
Minimum documentation searched (classification system followed by classification symbols)
A63B

Documentation searched other than minimum documentation to the extent that such documents are included in the fields searched

Electronic data base consulted during the international search (name of data base and, where practical, search terms used)
EPO-Internal

C. DOCUMENTS CONSIDERED TO BE RELEVANT

Category*	Citation of document, with indication, where appropriate, of the relevant passages	Relevant to claim No.
A	US 6 716 143 B1 (MARTIN WALLACE KENT [US]) 6 April 2004 (2004-04-06) column 2, line 18 - column 3, line 22; figures	1-47
A	US 5 833 575 A (HOLSLAG NICHOLAS J C [US]) 10 November 1998 (1998-11-10) column 2, line 1 - line 25; figures 1,2	1-47
A	US 2 720 396 A (PFAUS ANDREW J) 11 October 1955 (1955-10-11) column 1, line 15 - line 27 column 1, line 69 - column 2, line 33; figures 1-4	1-47
A	US 6 334 624 B1 (GIGLIO JOSEPH [US]) 1 January 2002 (2002-01-01) abstract; figures 1-3	1-47

Further documents are listed in the continuation of Box C. See patent family annex.

* Special categories of cited documents :

A document defining the general state of the art which is not considered to be of particular relevance	*T* later document published after the international filing date or priority date and not in conflict with the application but cited to understand the principle or theory underlying the invention
E earlier document but published on or after the international filing date	*X* document of particular relevance; the claimed invention cannot be considered novel or cannot be considered to involve an inventive step when the document is taken alone
L document which may throw doubts on priority claim(s) or which is cited to establish the publication date of another citation or other special reason (as specified)	*Y* document of particular relevance; the claimed invention cannot be considered to involve an inventive step when the document is combined with one or more other such documents, such combination being obvious to a person skilled in the art.
O document referring to an oral disclosure, use, exhibition or other means	* & * document member of the same patent family
P document published prior to the international filing date but later than the priority date claimed	

Date of the actual completion of the international search 2 April 2007	Date of mailing of the international search report 12/04/2007
---	--

Name and mailing address of the ISA/ European Patent Office, P.B. 5818 Patentlaan 2 NL - 2280 HV Rijswijk Tel. (+31-70) 340-2040, Tx. 31 651 epo nl, Fax: (+31-70) 340-3016	Authorized officer Michels, Norbert
---	--

INTERNATIONAL SEARCH REPORT

International application No

PCT/US2006/021274

C(Continuation). DOCUMENTS CONSIDERED TO BE RELEVANT

Category*	Citation of document, with indication, where appropriate, of the relevant passages	Relevant to claim No.
A	US 5 851 166 A (BERNARDSON PETER S [US]) 22 December 1998 (1998-12-22) -----	

INTERNATIONAL SEARCH REPORT

Information on patent family members

International application No

PCT/US2006/021274

Patent document cited in search report	Publication date	Patent family member(s)	Publication date
US 6716143	B1	06-04-2004	NONE
US 5833575	A	10-11-1998	NONE
US 2720396	A	11-10-1955	NONE
US 6334624	B1	01-01-2002	NONE
US 5851166	A	22-12-1998	US 6217488 B1 17-04-2001