



US00D697876S

(12) **United States Design Patent**  
**Hsu et al.**

(10) **Patent No.:** **US D697,876 S**  
(45) **Date of Patent:** **\*\* Jan. 21, 2014**

(54) **LIGHT EMITTING DIODE LEAD-FRAME**

(71) Applicant: **Lextar Electronics Corp.**, Hsinchu (TW)

(72) Inventors: **Hui-Kai Hsu**, Taitung (TW); **Che-Ming Hsu**, Chang Hua County (TW); **Shih-Ju Lo**, Taoyuan County (TW); **Kuan-Hao Chen**, New Taipei (TW)

(73) Assignee: **Lextar Electronics Corp.**, Hsinchu (TW)

(\*\*) Term: **14 Years**

(21) Appl. No.: **29/454,484**

(22) Filed: **May 10, 2013**

(30) **Foreign Application Priority Data**

Nov. 20, 2012 (TW) ..... 101306856

(51) **LOC (10) Cl.** ..... **13-03**

(52) **U.S. Cl.**

USPC ..... **D13/180**

(58) **Field of Classification Search**

USPC ..... D13/180, 182; D10/104.1, 106.1; D26/1, 2, 37; 257/79, 80, 81, 88, 89, 257/93-96, 98, 99, 100, 678, E33.058, 680, 257/433, 434, 666; 313/161, 483, 498, 499, 313/500; 345/39, 46, 82, 84; 361/800, 820; 372/45.01; 362/551, 555, 800

See application file for complete search history.

(56) **References Cited**

**U.S. PATENT DOCUMENTS**

D497,349 S \* 10/2004 Hoshiba ..... D13/180  
D578,084 S \* 10/2008 Kobayakawa ..... D13/180  
D578,969 S \* 10/2008 Kobayakawa ..... D13/180  
7,615,799 B2 \* 11/2009 Su ..... 257/99

D622,231 S \* 8/2010 Sung ..... D13/180  
D627,310 S \* 11/2010 Lin et al. .... D13/180  
D630,596 S \* 1/2011 An ..... D13/180  
D630,777 S \* 1/2011 Lee ..... D26/24  
D656,106 S \* 3/2012 Hsu ..... D13/180  
D656,107 S \* 3/2012 Hsu ..... D13/180  
D656,468 S \* 3/2012 Park et al. .... D13/180  
D664,103 S \* 7/2012 Sasaoka et al. .... D13/180  
D664,104 S \* 7/2012 Hsu ..... D13/180  
D664,105 S \* 7/2012 Hsu ..... D13/180  
D664,107 S \* 7/2012 Wang ..... D13/180  
D664,505 S \* 7/2012 Ko ..... D13/180  
D665,365 S \* 8/2012 Lee et al. .... D13/180  
D667,385 S \* 9/2012 Lin ..... D13/180  
D668,235 S \* 10/2012 Chang et al. .... D13/180  
D668,623 S \* 10/2012 Hsu ..... D13/180  
D668,624 S \* 10/2012 Ko ..... D13/180  
D669,044 S \* 10/2012 Hsu ..... D13/180  
D670,661 S \* 11/2012 Chang ..... D13/180  
D670,663 S \* 11/2012 Ko ..... D13/180  
D671,082 S \* 11/2012 Chang ..... D13/180  
D675,170 S \* 1/2013 Ko ..... D13/180

(Continued)

*Primary Examiner* — Elizabeth J Oswecki

(74) *Attorney, Agent, or Firm* — Schmeiser, Olsen & Watts LLP

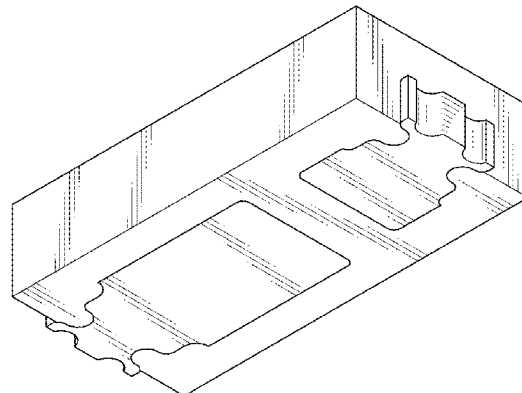
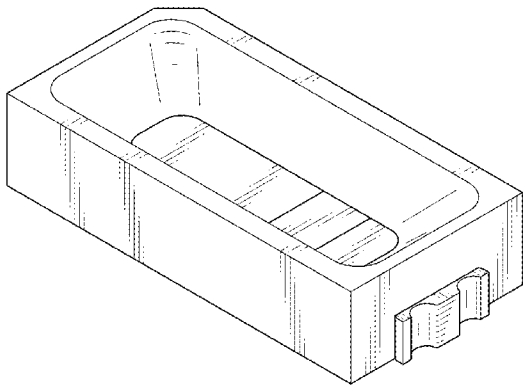
(57) **CLAIM**

The ornamental design for a light emitting diode lead-frame, as shown and described.

**DESCRIPTION**

FIG. 1 is a front perspective view of a light emitting diode lead-frame showing our new design;  
FIG. 2 is another perspective view thereof;  
FIG. 3 is a front elevational view thereof;  
FIG. 4 is a rear elevational view thereof;  
FIG. 5 is a left side elevational view thereof;  
FIG. 6 is a right side elevational view thereof;  
FIG. 7 is a top plan view thereof; and,  
FIG. 8 is a bottom plan view thereof.

**1 Claim, 8 Drawing Sheets**



(56)

**References Cited**

U.S. PATENT DOCUMENTS

D678,225	S	*	3/2013	Ko et al.	.....	D13/180	2010/0102348	A1	*	4/2010	Lin	.....	257/98
D678,226	S	*	3/2013	Hsu et al.	.....	D13/180	2011/0127566	A1	*	6/2011	Yoon	.....	257/99
D679,666	S	*	4/2013	Hsu et al.	.....	D13/180	2011/0186873	A1	*	8/2011	Emerson	.....	257/88
2006/0284207	A1	*	12/2006	Park et al.	.....	257/99	2012/0074451	A1	*	3/2012	Lin	.....	257/99
							2012/0161180	A1	*	6/2012	Komatsu et al.	.....	257/98
							2012/0211789	A1	*	8/2012	Lee et al.	.....	257/98

\* cited by examiner

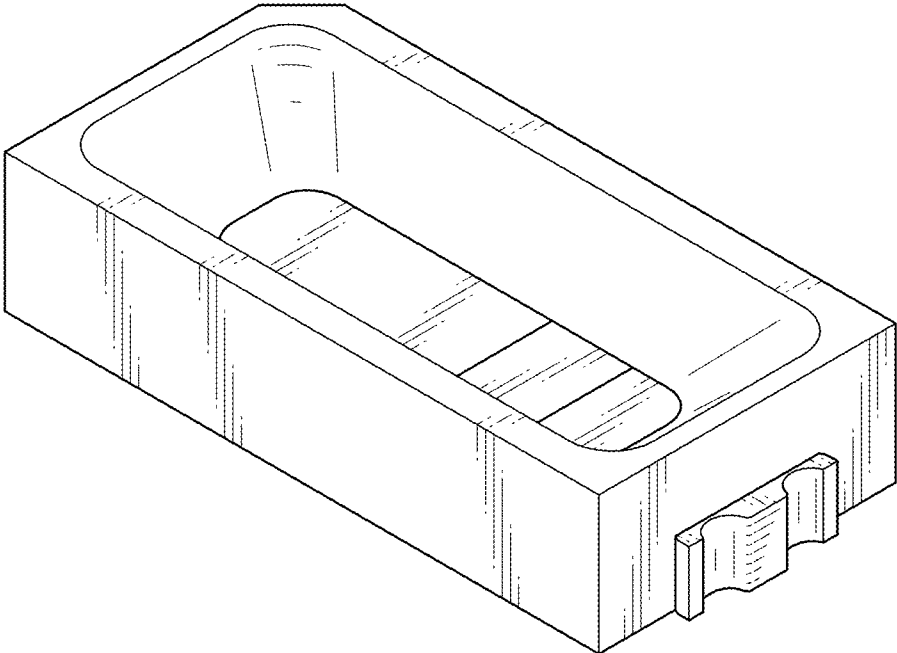


FIG. 1

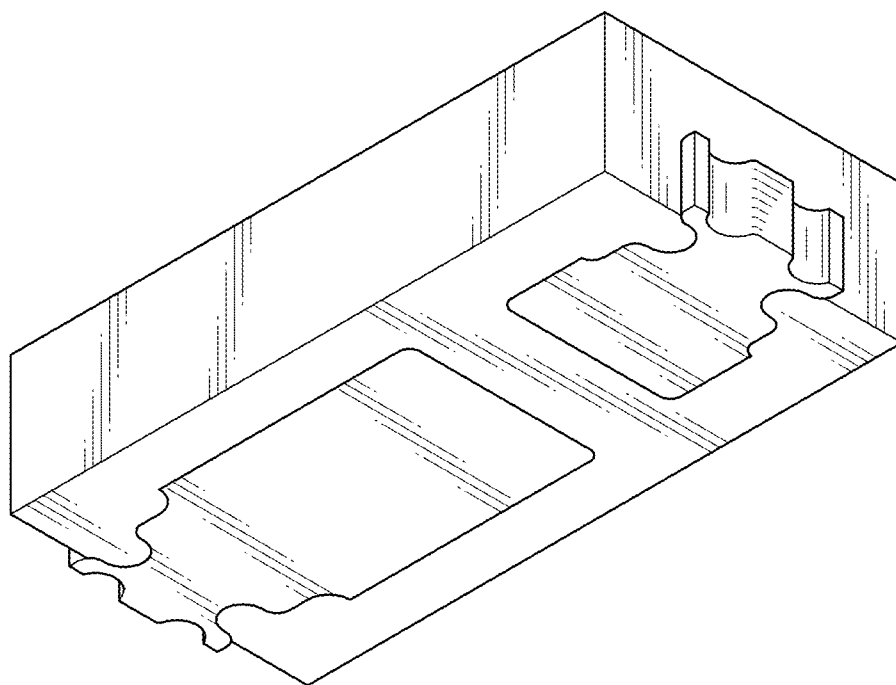


FIG.2



FIG.3



FIG.4

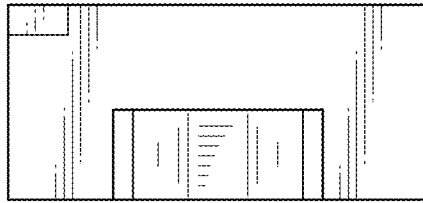


FIG. 5

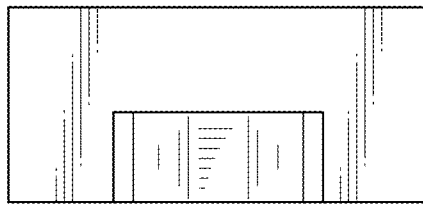


FIG.6



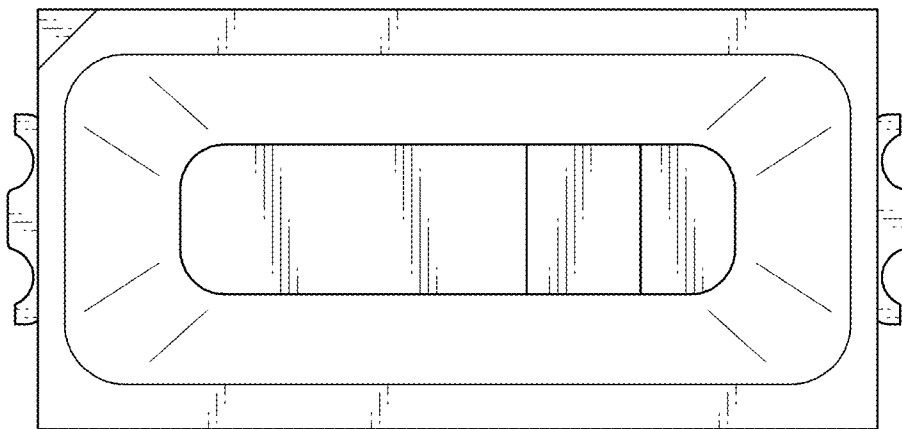


FIG.7

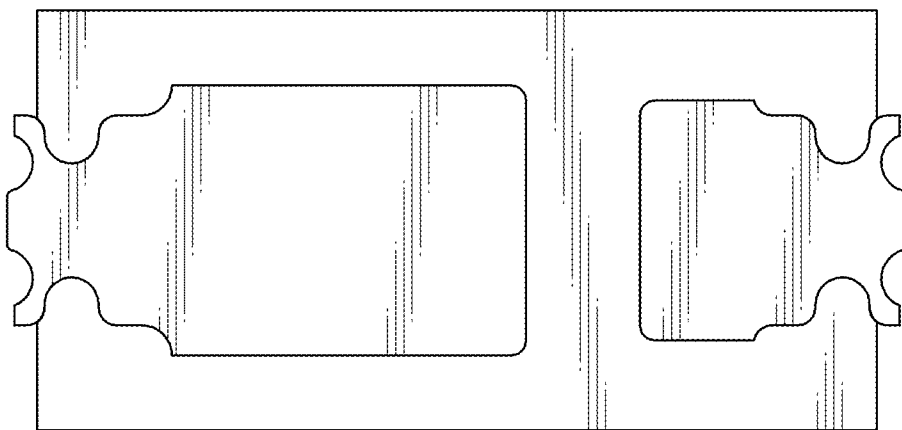


FIG. 8