

(19) World Intellectual Property Organization
International Bureau



(43) International Publication Date
6 May 2010 (06.05.2010)

(10) International Publication Number
WO 2010/051453 A3

(51) International Patent Classification:

F01D 5/14 (2006.01) F01D 25/00 (2006.01)
F01D 5/20 (2006.01) F02C 7/28 (2006.01)
F01D 11/08 (2006.01)

(21) International Application Number:

PCT/US2009/062786

(22) International Filing Date:

30 October 2009 (30.10.2009)

(25) Filing Language:

English

(26) Publication Language:

English

(30) Priority Data:

12/289,693 31 October 2008 (31.10.2008) US

(71) Applicant (for all designated States except US): SOLAR

TURBINES INCORPORATED [US/US]; c/o Caterpillar Inc., Intellectual Property Dept. - AH9510, 100 N.E. Adams St., Peoria, IL 61629-9510 (US).

(72) Inventors; and

(75) Inventors/Applicants (for US only): KIM, Hyun, Dong

[US/US]; c/o Caterpillar Inc., Intellectual Property Dept. - AH9510, 100 N.E. Adams St., Peoria, IL 61629-9510 (US). DUMITRASCU, Marius [RO/US]; c/o Caterpillar

Inc., Intellectual Property Dept. - AH9510, 100 N.E. Adams St., Peoria, IL 61629-9510 (US). GREENSPAN, Michael, Eugene [US/US]; c/o Caterpillar Inc., Intellectual Property Dept. - AH9510, 100 N.E. Adams St., Peoria, IL 61629-9510 (US). KANG, Yungmo [KR/US]; c/o Caterpillar Inc., Intellectual Property Dept. - AH9510, 100 N.E. Adams St., Peoria, IL 61629-9510 (US). KIM, Yong, Weon [US/US]; c/o Caterpillar Inc., Intellectual Property Dept. - AH9510, 100 N.E. Adams St., Peoria, IL 61629-9510 (US).

(74) Agents: RIRIE, Andrew, J. et al.; 100 N.E. Adams Street, Peoria, IL 61629-9510 (US).

(81) Designated States (unless otherwise indicated, for every

kind of national protection available): AE, AG, AL, AM, AO, AT, AU, AZ, BA, BB, BG, BH, BR, BW, BY, BZ, CA, CH, CL, CN, CO, CR, CU, CZ, DE, DK, DM, DO, DZ, EC, EE, EG, ES, FI, GB, GD, GE, GH, GM, GT, HN, HR, HU, ID, IL, IN, IS, JP, KE, KG, KM, KN, KP, KR, KZ, LA, LC, LK, LR, LS, LT, LU, LY, MA, MD, ME, MG, MK, MN, MW, MX, MY, MZ, NA, NG, NI, NO, NZ, OM, PE, PG, PH, PL, PT, RO, RS, RU, SC, SD, SE, SG, SK, SL, SM, ST, SV, SY, TJ, TM, TN, TR, TT, TZ, UA, UG, US, UZ, VC, VN, ZA, ZM, ZW.

[Continued on next page]

(54) Title: TURBINE BLADE INCLUDING A SEAL POCKET

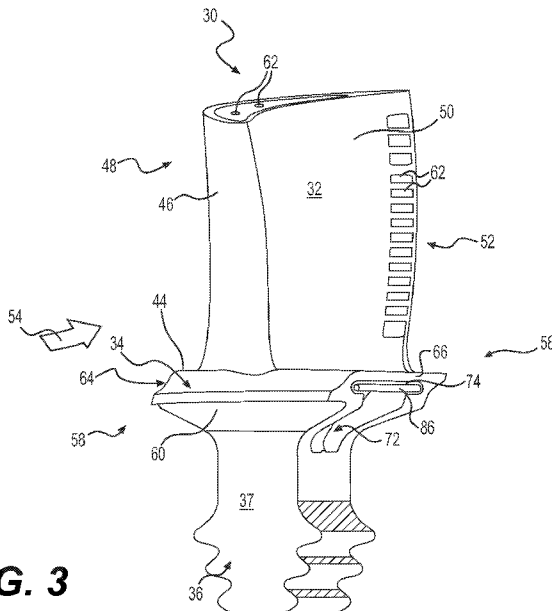


FIG. 3

(57) Abstract: A turbine blade (30) is disclosed. The turbine blade may have an airfoil (32) extending from a first surface (44) of a turbine platform (34). The turbine blade may further have a first side pocket (74) of the turbine platform that is configured to substantially entirely house a first moveable seal (86) between a forward wall (78) of the first side pocket and an aft wall (80) of the first side pocket. The first side pocket may have a convex surface (130), extending between the forward wall and the aft wall, and a concave surface (128). The first moveable seal may be configured to be housed substantially entirely within the pressure side pocket. The turbine blade may also have a second side pocket (98) of the turbine platform configured to receive a portion of a second moveable seal.



WO 2010/051453 A3



(84) Designated States (*unless otherwise indicated, for every kind of regional protection available*): ARIPO (BW, GH, GM, KE, LS, MW, MZ, NA, SD, SL, SZ, TZ, UG, ZM, ZW), Eurasian (AM, AZ, BY, KG, KZ, MD, RU, TJ, TM), European (AT, BE, BG, CH, CY, CZ, DE, DK, EE, ES, FI, FR, GB, GR, HR, HU, IE, IS, IT, LT, LU, LV, MC, MK, MT, NL, NO, PL, PT, RO, SE, SI, SK, SM, TR), OAPI (BF, BJ, CF, CG, CI, CM, GA, GN, GQ, GW, ML, MR, NE, SN, TD, TG).

Published:

— *with international search report (Art. 21(3))*

(88) Date of publication of the international search report:

15 July 2010

INTERNATIONAL SEARCH REPORT

International application No.
PCT/US2009/062786**A. CLASSIFICATION OF SUBJECT MATTER***F01D 5/14(2006.01)i, F01D 5/20(2006.01)i, F01D 11/08(2006.01)i, F01D 25/00(2006.01)i, F02C 7/28(2006.01)i*

According to International Patent Classification (IPC) or to both national classification and IPC

B. FIELDS SEARCHED

Minimum documentation searched (classification system followed by classification symbols)

F01D 5/14; F01D 11/00; F01D 11/04; F01D 5/10; F01D 5/18; F01D 5/20; F01D 5/22; F01D 5/24; F01D 5/30

Documentation searched other than minimum documentation to the extent that such documents are included in the fields searched

Korean utility models and applications for utility models
Japanese utility models and applications for utility models
(Chinese Patents and application for patent)

Electronic data base consulted during the international search (name of data base and, where practicable, search terms used)

eKOMPASS(KIPO internal) & Keywords: turbine blade, pocket, platform, seal

C. DOCUMENTS CONSIDERED TO BE RELEVANT

Category*	Citation of document, with indication, where appropriate, of the relevant passages	Relevant to claim No.
A	KR 10-2006-0089649 A (MITSUBISHI HEAVY INDUSTRIES, LTD.) 09 August 2006 See figure 1.	1-10
A	KR 10-2005-0083579 A (MITSUBISHI HEAVY INDUSTRIES, LTD.) 26 August 2005 See figure 6.	1-10
A	US 2006-0056975 A1 (MARK HONKOMP et al.) 16 March 2006 See figure 2.	1-10
A	US 4936749 A1 (ARRAO; ANTHONY S. et al.) 26 June 1990 See figures 4 and 5.	1-10
A	JP 10-252413 A (MITSUBISHI HEAVY IND. LTD.) 22 September 1998 See figures 1-9.	1-10

 Further documents are listed in the continuation of Box C. See patent family annex.

* Special categories of cited documents:

"A" document defining the general state of the art which is not considered to be of particular relevance

"E" earlier application or patent but published on or after the international filing date

"L" document which may throw doubts on priority claim(s) or which is cited to establish the publication date of citation or other special reason (as specified)

"O" document referring to an oral disclosure, use, exhibition or other means

"P" document published prior to the international filing date but later than the priority date claimed

"T" later document published after the international filing date or priority date and not in conflict with the application but cited to understand the principle or theory underlying the invention

"X" document of particular relevance; the claimed invention cannot be considered novel or cannot be considered to involve an inventive step when the document is taken alone

"Y" document of particular relevance; the claimed invention cannot be considered to involve an inventive step when the document is combined with one or more other such documents, such combination being obvious to a person skilled in the art

"&" document member of the same patent family

Date of the actual completion of the international search

27 APRIL 2010 (27.04.2010)

Date of mailing of the international search report

28 APRIL 2010 (28.04.2010)

Name and mailing address of the ISA/KR

Korean Intellectual Property Office
Government Complex-Daejeon, 139 Seonsa-ro, Seo-
gu, Daejeon 302-701, Republic of Korea

Facsimile No. 82-42-472-7140

Authorized officer

LEE, JUNG HYE

Telephone No. 82-42-481-8437



INTERNATIONAL SEARCH REPORT

Information on patent family members

International application No.

PCT/US2009/062786

Patent document cited in search report	Publication date	Patent family member(s)	Publication date
KR 10-2006-0089649 A	09.08.2006	CN 100476163 C	08.04.2009
		CN 1814990 A	09.08.2006
		CN 1814990 C0	09.08.2006
		JP 2006-214367 A	17.08.2006
		US 2006-0177312 A1	10.08.2006
		US 7252477 B2	07.08.2007
KR 10-2005-0083579 A	26.08.2005	JP 2005-233141 A	02.09.2005
		US 2005-0186074 A1	25.08.2005
		US 7481614 B2	27.01.2009
US 2006-0056975 A1	16.03.2006	FR 2875262 A1	17.03.2006
		GB 0516194 D0	14.09.2005
		GB 2417986 A	15.03.2006
		GB 2417986 B	22.07.2009
		JP 2006-083849 A	30.03.2006
		US 7090466 B2	15.08.2006
US 4936749 A1	26.06.1990	JP 02-188602 A	24.07.1990
		JP 02-907880 B2	02.04.1999
		JP 2907880 B2	21.06.1999
JP 10-252413 A	22.09.1998	CA 2231753 C	29.04.2003
		CA 2231753-A1	12.09.1998
		DE 19810567 A1	17.09.1998
		DE 19810567 C2	20.07.2000
		JP 03-462695 B2	15.08.2003
		JP 3462695 B2	05.11.2003
		US 6086329 A1	11.07.2000