

(19) World Intellectual Property Organization  
International Bureau



(43) International Publication Date  
3 July 2003 (03.07.2003)

PCT

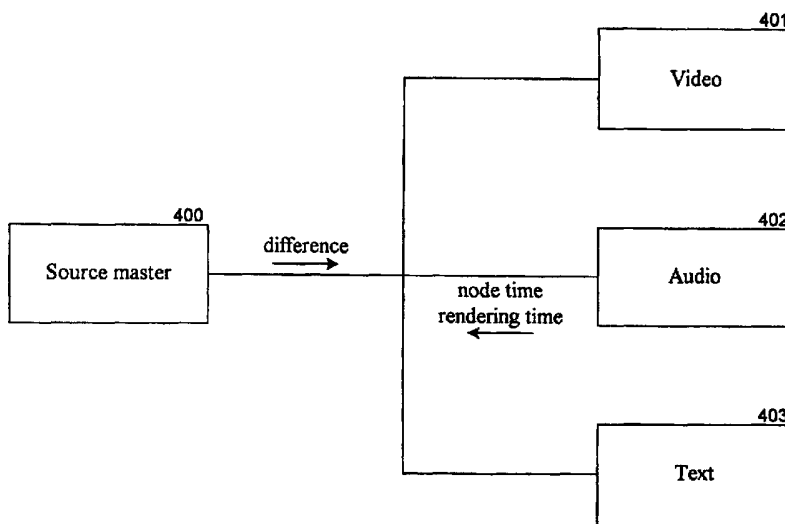
(10) International Publication Number  
WO 2003/054686 A3

- (51) International Patent Classification<sup>7</sup>: G06F 17/30
- (21) International Application Number: PCT/US2002/040476
- (22) International Filing Date: 17 December 2002 (17.12.2002)
- (25) Filing Language: English
- (26) Publication Language: English
- (30) Priority Data: 60/341,574 17 December 2001 (17.12.2001) US
- (71) Applicant: BECOMM CORPORATION [US/US]; 4148b-148th Avenue N.E., Building H, Redmond, WA 98053 (US).
- (72) Inventors: BALASSANIAN, Edward; 21520 N.E. 87th Place, Redmond, WA 98053 (US). BRADLEY, Scott, W.; 12414-107th Place N.E., Kirkland, WA 98034 (US).
- (74) Agents: Pirio, Maurice J., et al.; Customer No.25096, Perkins Coie LLP, P.O. Box 1247, Seattle, WA 98111-1247 (US).
- (81) Designated States (national): AE, AG, AL, AM, AT, AU, AZ, BA, BB, BG, BR, BY, BZ, CA, CH, CN, CO, CR, CU, CZ, DE, DK, DM, DZ, EC, EE, ES, FI, GB, GD, GE, GH, GM, HR, HU, ID, IL, IN, IS, JP, KE, KG, KP, KR, KZ, LC, LK, LR, LS, LT, LU, LV, MA, MD, MG, MK, MN, MW, MX, MZ, NO, NZ, OM, PH, PL, PT, RO, RU, SC, SD, SE, SG, SK, SL, TJ, TM, TN, TR, TT, TZ, UA, UG, UZ, VC, VN, YU, ZA, ZM, ZW.
- (84) Designated States (regional): ARIPO patent (GH, GM, KE, LS, MW, MZ, SD, SL, SZ, TZ, UG, ZM, ZW), Eurasian patent (AM, AZ, BY, KG, KZ, MD, RU, TJ, TM), European patent (AT, BE, BG, CH, CY, CZ, DE, DK, EE, ES, FI, FR, GB, GR, IE, IT, LU, MC, NL, PT, SE, SI, SK, TR), OAPI patent (BF, BJ, CF, CG, CI, CM, GA, GN, GQ, GW, ML, MR, NE, SN, TD, TG).

Published: — with international search report

[Continued on next page]

(54) Title: METHOD AND SYSTEM FOR SYNCHRONIZATION OF CONTENT RENDERING



(57) Abstract: A method and system for synchronizing the rendering of content at various rendering devices. Each rendering device has a device time and a rendering time. The synchronization system designates one of the rendering devices as a master rendering device and designates all other rendering devices as slave rendering devices. Each slave rendering device adjusts the rendering of its content to keep it in synchronization with the rendering of the content at the master rendering device. The master rendering device sends a message with its rendering time and corresponding device time to the slave rendering devices. Each slave rendering device, upon receiving the message from the master rendering device, determines whether it is synchronized with the master rendering time. If not, the slave rendering device adjusts the rendering of its content to compensate for the difference between the master rendering and the slave rendering time.

WO 2003/054686 A3



— *before the expiration of the time limit for amending the claims and to be republished in the event of receipt of amendments*

*For two-letter codes and other abbreviations, refer to the "Guidance Notes on Codes and Abbreviations" appearing at the beginning of each regular issue of the PCT Gazette.*

**(88) Date of publication of the international search report:**

27 May 2004

# INTERNATIONAL SEARCH REPORT

International Application No  
PCT/US 02/40476

<b>A. CLASSIFICATION OF SUBJECT MATTER</b> IPC 7 G06F17/30		
According to International Patent Classification (IPC) or to both national classification and IPC		
<b>B. FIELDS SEARCHED</b>		
Minimum documentation searched (classification system followed by classification symbols) IPC 7 G06F		
Documentation searched other than minimum documentation to the extent that such documents are included in the fields searched		
Electronic data base consulted during the international search (name of data base and, where practical, search terms used) EPO-Internal, WPI Data, INSPEC		
<b>C. DOCUMENTS CONSIDERED TO BE RELEVANT</b>		
Category °	Citation of document, with indication, where appropriate, of the relevant passages	Relevant to claim No.
X	EP 0 847 038 A (SGS THOMSON MICROELECTRONICS) 10 June 1998 (1998-06-10) abstract page 2, line 50 -page 4, line 45 -----	1-31
X	EP 0 869 443 A (MICROSOFT CORP) 7 October 1998 (1998-10-07) abstract page 2, line 1 -page 4, line 4 -----	1-31
A	EP 0 550 197 A (IBM) 7 July 1993 (1993-07-07) abstract -----	1-31
A	US 5 661 665 A (GREEN JAMES L ET AL) 26 August 1997 (1997-08-26) abstract -----	1-31
<input type="checkbox"/> Further documents are listed in the continuation of box C. <span style="margin-left: 200px;"><input checked="" type="checkbox"/> Patent family members are listed in annex.</span>		
° Special categories of cited documents :		
*A* document defining the general state of the art which is not considered to be of particular relevance *E* earlier document but published on or after the international filing date *L* document which may throw doubts on priority claim(s) or which is cited to establish the publication date of another citation or other special reason (as specified) *O* document referring to an oral disclosure, use, exhibition or other means *P* document published prior to the international filing date but later than the priority date claimed *T* later document published after the international filing date or priority date and not in conflict with the application but cited to understand the principle or theory underlying the invention *X* document of particular relevance; the claimed invention cannot be considered novel or cannot be considered to involve an inventive step when the document is taken alone *Y* document of particular relevance; the claimed invention cannot be considered to involve an inventive step when the document is combined with one or more other such documents, such combination being obvious to a person skilled in the art. *&* document member of the same patent family		
Date of the actual completion of the international search  <p style="text-align: center;">2 April 2004</p>	Date of mailing of the international search report  <p style="text-align: center;">14/04/2004</p>	
Name and mailing address of the ISA European Patent Office, P.B. 5818 Patentlaan 2 NL - 2280 HV Rijswijk Tel. (+31-70) 340-2040, Tx. 31 651 epo nl, Fax: (+31-70) 340-3016	Authorized officer  <p style="text-align: center;">Katerbau, R</p>	

# INTERNATIONAL SEARCH REPORT

Information on patent family members

International Application No

PCT/US 02/40476

Patent document cited in search report	A	Publication date		Patent family member(s)	Publication date
EP 0847038	A	10-06-1998		US 5889515 A	30-03-1999
				EP 0847038 A2	10-06-1998
				JP 10308927 A	17-11-1998
EP 0869443	A	07-10-1998		US 5815689 A	29-09-1998
				CA 2208418 A1	04-10-1998
				EP 0869443 A2	07-10-1998
				JP 10283199 A	23-10-1998
EP 0550197	A	07-07-1993		US 5333299 A	26-07-1994
				CA 2084574 A1	01-07-1993
				EP 0550197 A2	07-07-1993
				JP 2102135 C	22-10-1996
				JP 5265778 A	15-10-1993
				JP 7111682 B	29-11-1995
US 5661665	A	26-08-1997		NONE	