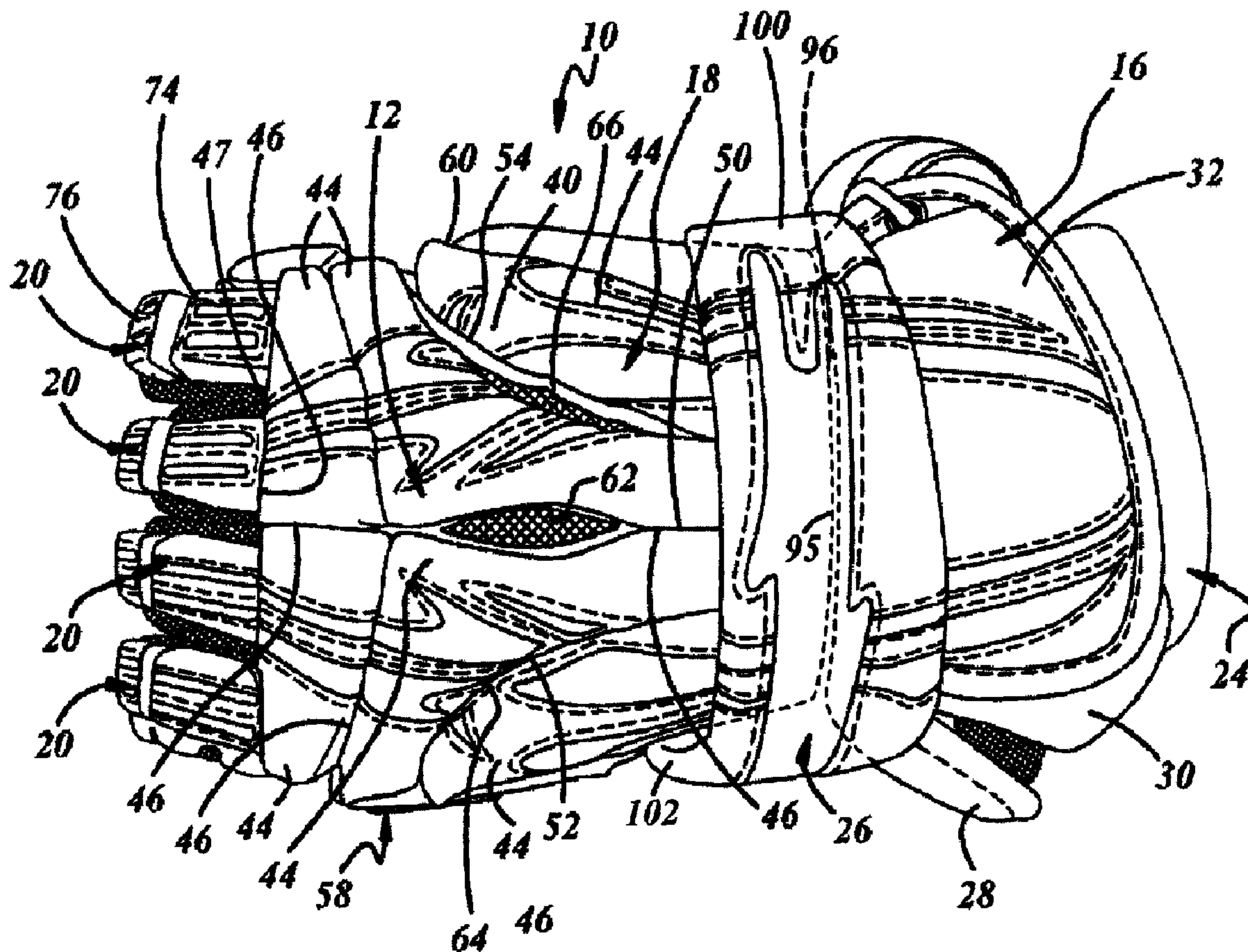




(22) Date de dépôt/Filing Date: 2008/09/26  
 (41) Mise à la disp. pub./Open to Public Insp.: 2009/03/26  
 (45) Date de délivrance/Issue Date: 2012/11/27  
 (30) Priorités/Priorities: 2007/09/26 (US60/975,315);  
 2008/03/19 (US12/051,201); 2008/03/19 (US12/051,292);  
 2008/03/19 (US12/051,230); 2008/09/24 (US12/237,118)

(51) Cl.Int./Int.Cl. *A63B 71/14* (2006.01),  
*A41D 13/08* (2006.01), *A41D 19/015* (2006.01)  
 (72) Inventeur/Inventor:  
 WINNINGHAM, MATTHEW M., US  
 (73) Propriétaire/Owner:  
 WARRIOR SPORTS, INC., US  
 (74) Agent: FINLAYSON & SINGLEHURST

(54) Titre : GANT PROTECTEUR MUNI D'UN PROTEGE-POIGNET PROFILE  
 (54) Title: PROTECTIVE GLOVE HAVING CONTOURED WRIST GUARD



(57) Abrégé/Abstract:  
 A protective sports glove including a contoured wrist cuff that substantially shields a gap defined between adjacent portions of the protective sports glove, such as hand and cuff portions. The contoured wrist cuff can include a leading edge that contours

(57) **Abrégé(suite)/Abstract(continued):**

forwardly adjacent a thumb portion of the contoured wrist cuff and rearwardly across a portion of the radial side of a wearer's hand when the glove is on the wearer's hand. This can allow protection of the wearer's wrist in flexion without also impairing movement of the wearer's wrist.

**ABSTRACT OF THE DISCLOSURE**

A protective sports glove including a contoured wrist cuff that substantially shields a gap defined between adjacent portions of the protective sports glove, such as hand and cuff portions. The contoured wrist cuff can include a leading edge that contours forwardly adjacent a thumb portion of the contoured wrist cuff and rearwardly across a portion of the radial side of a wearer's hand when the glove is on the wearer's hand. This can allow protection of the wearer's wrist in flexion without also impairing movement of the wearer's wrist.

## PROTECTIVE GLOVE HAVING CONTOURED WRIST GUARD

### BACKGROUND OF THE INVENTION

[0002] The present invention relates to a protective glove and, more particularly, to a protective sports glove having a wrist guard that provides enhanced flexibility and promotes ergonomic movement.

[0003] In many contact sports, such as lacrosse or hockey, sticks are elements of the game. A player's hands, wrists, and lower arms are especially vulnerable to injury when being checked by another player's stick. For this reason, players typically wear padded gloves to protect their hands, wrists and lower arms during play.

[0004] Typical gloves for such contact sports generally include a hand portion joined with finger portions and a thumb portion. The hand portion, finger portions, and thumb portion each have a respective palm portion and a dorsal portion which is usually covered with multiple protective pads. The protective pads typically protect the dorsal side of the hand from forceful impacts. The gloves also can include a protective cuff that is elastically joined with a lower edge of the hand portion. This usually extends up the wearer's wrist and forearm. The protective pads that protect the dorsal side of the hand usually are formed in such a way so as to allow the wearer to grasp a game stick, yet still provide protection against impact.

[0005] Protective sports gloves also can include an additional protective element that is intended to further protect the wrist from impacting blows administered directly to the wrist. These pads, called wrist guards or wrist cuffs, are loosely strapped between the hand portion and the cuff portion. In use, a wearer usually flexes their wrist, which can separate the hand and cuff portions. The wrist guard covers a gap between these portions, protecting the wrist of the wearer.

[0006] Many wrist guards are substantially rectangular in configuration and sharply sweep across the back, or dorsal side of the hand from left to right. While this rectangular configuration thoroughly covers the vulnerable gap over a wearer's wrist, it can substantially impair movement and flexibility of the wrist, particularly movements required to manipulate a stick in the game of lacrosse and hockey. Other conventional gloves include non-rectangular wrist guards that facilitate some flexibility, but still may encumber some wrist movement. For example, U.S. Patent 5,983,396 to Morrow discloses an adjustably positionable wrist guard having a rounded forearm facing

portion and a centrally located bulge on the finger facing, forward side of the guard. While the forward facing bulge can add protection, in some cases, it can also impair extension of the wrist.

### SUMMARY OF THE INVENTION

[0007] The present invention provides a protective glove that yields increased protection to the wrist of a wearer without substantially impairing the wearer's wrist movements, including, but not limited to, radial and ulnar deviation, wrist extension and flexion, and combinations of these movements. The protective glove can include a hand portion and a cuff portion having a junction therebetween. A wrist cuff, also referred to as a wrist guard, can cover at least a portion of a junction, yet not impair radial deviation, and/or extension of the wearer's wrist, and/or any other wrist movement, due to ergonomic contours of the wrist cuff.

[0008] In one embodiment, the protective glove can include finger and thumb portions. The wrist cuff can define a leading edge that generally faces forward, toward the finger and thumb portions. The leading edge can include a contour that does not impair wrist movement. For example, the leading edge can contour rearwardly across a dorsal side of a wearer's hand, contour forwardly across a portion of the thumb portion, and/or contour rearwardly across at least a portion of the radial side of the wearer's hand.

[0009] In another embodiment, the protective glove can include a wrist cuff defining a leading edge generally facing forward, toward the finger and thumb portions, and extending across the dorsal side of a wearer's hand. The leading edge can define a curvilinear portion where the leading edge transitions from a dorsal side to a radial

side of the wearer's hand, and can extend forwardly adjacent at least portion of the thumb portion of the protective glove.

[0010] In yet another embodiment, the wrist cuff can include a first end and a second end, and span across the hand portion, adjacent the wrist, and can be divided into multiple portions. Optionally, the leading edge can change its contour throughout these portions to promote enhanced wrist movement while the glove is on a wearer.

[0011] For example, the leading edge can extend through first, second, and third portions. The leading edge in the first portion can extend across a dorsal side of the wearer's hand and can be relatively straight, curved toward the finger and/or curved away from the finger portions of the glove. The leading edge in the second portion can extend forwardly in a straight or curved manner, toward the thumb portion adjacent the radial or palmar side of the wearer's hand. The leading edge in the third portion can extend rearwardly in a straight or curved manner, adjacent the radial or palmar sides of the wearer's hand. Having this configuration of a leading edge can conceal the junction between the cuff and the hand portion without impairing at least one of radial deviation and extension of the wearer's wrist, for example, when the wearer manipulates a game stick.

[0012] In a further embodiment, the wrist cuff can include a trailing edge, and can define a width between the leading edge and the trailing edge. The width can be uniform or can vary. The trailing edge can follow the trailing edge contours, or follow different contours as desired.

[0013] The present invention provides a simple and ergonomic protective wrist cuff. The contoured wrist cuff promotes wrist flexibility and movement of the hand it

guards. With this construction, a wearer of the protective glove can easily and quickly move their hand and wrist without notable impairment or restriction by the glove.

[0014] These and other features and advantages of the present invention will become apparent from the following description of the invention, when viewed in relation to the accompanying drawings.

#### BRIEF DESCRIPTION OF THE DRAWINGS

[0015] Fig. 1 is a top view of a current embodiment of the glove including a contoured wrist guard;

[0016] Fig. 2 is a bottom view of the glove;

[0017] Fig. 3 is a first side view of the glove;

[0018] Fig. 4 is a top view of the contoured wrist guard, removed from the glove, in an extended configuration.

[0019] Fig. 5 is a top perspective view of the glove;

[0020] Fig. 6 is a top view illustration of movement of a wearer's hand; and

[0021] Fig. 7 is a side view illustration of movement of a wearer's hand.

#### DETAILED DESCRIPTION OF THE CURRENT EMBODIMENT

[0022] A protective sports glove in accordance with a current embodiment of the present invention is illustrated in Figs. 1-6 and generally designated 10. While the drawing is illustrative of a right hand glove, the present invention can be embodied in a left hand glove, which is generally a mirrored version of the right hand glove. Additionally, the glove 10 shown is designed for use in the game of lacrosse; however, it can be used in a variety of other sports or activities, such as hockey, or any activity

where a user may move their hand about their wrist, optionally in the process of manipulating a game stick or other grasped item.

[0023] The description of the glove 10 can be aided by a brief discussion of hand anatomy and movement. Several elements and movements of a wearer's anatomical hand that are promoted by the glove 10 are illustrated in Figs. 6-7. In particular, a wearer's hand 220 generally includes a wrist 222, fingers 227 and a thumb 226. The hand further includes different "sides," in particular, a dorsal side 232, a palmar side 237, an ulnar side 236 and a radial side 238. The wrist 222 is movable in a variety of orientations, either by itself, or as it grasps an item, such as a game stick 250 as illustrated. Fig. 7 shows a wearer's hand with the wrist 222 in extension 242 and flexion 244 configurations. Fig. 6 shows a wearer's hand with the wrist 222 in an ulnar deviation 246 and in a radial deviation 248 configuration. The degree of the above configurations can vary, and the movements can occur in combination. For example, a wearer can move their hand so that it both extends and undergoes radial deviation. An infinite number of other combinations and degrees of wrist and hand movements are possible.

[0024] Returning to Figs. 1-5, and utilizing the above element and movement references, the protective glove can include a back portion 12 and a palm portion 14, between which an interior space adapted to receive a wearer's hand is defined. The back portion 12 can be configured so that it generally is adjacent the dorsal side 232 (Fig. 7) of the hand, while the palmar portion 14 can be adjacent the palmar side 237 of the hand.

[0025] The glove 10 can further include a cuff portion 16, a hand portion 18 joined to the cuff portion 16, a plurality of finger portions 20 extending from the hand portion 18, and a thumb portion 22 extending from the hand portion 18. A floating sub-cuff portion 24 can be disposed under the cuff portion 16. A contoured wrist guard 26 can be positioned over a junction 95, optionally defines a gap 96 between the hand portion 18 and the cuff portion 16. The contoured wrist guard 26 can include a lowered back region 100 and a raised side region 102, and the side region 102 that is configured in close proximity to the opposing padded thumb portion 80.

[0026] As shown in Figs. 1-3, the hand portion 18 generally extends between the cuff portion 16 and the finger portions 20. The hand portion 18 can include a hand dorsal portion 40 and an opposing hand palmar portion 42. The hand dorsal portion 40 optionally can include multiple protective portions 44, such as padded portions, secured thereto to provide protection to a wearer's hand. The protective portions 44 can be constructed of foam, polyurethane, polymers or other suitable materials. As shown in Fig. 1, the hand dorsal portion 40 is optionally subdivided into multiple protective portions 44 that are sewn into a protective outer material such as a cloth material or the like. Each pair of protective portions 44 can define a respective flex line 46 there between, which allow the glove 10 to move as a wearer's hand moves to provide better fit and comfort during play. Optional flex lines are described in the following paragraphs. However, the flex lines can take on a variety of different configurations and placements as desired.

[0027] The protective portions 44 can terminate generally at a junction 47 located generally between the hand portion 18 and the finger portions 20. The junction 47 can

allow the finger portions 20 to move with respect to the adjacent protective portions 44 as the junction 47 is generally disposed over a wearer's knuckle area, allowing the finger portions 20 to move as a wearer's fingers flex. Additionally, the hand dorsal portion 40 can include a vertical flex line 50 that can extend generally from the cuff portion 16 to the junction 47 and can allow protective portions 44 on either side thereof to move respect to one another. The vertical flex line 50 can also allow the glove 10 to fit more comfortably as it can allow the glove 10 to better conform to a wearer's hand as he closes his hand around a stick and, therefore, providing a tighter shape. This is desirable as the back of a typical wearer's hand is not flat and the protective portions 44 may not be flexible enough to bend without the vertical flex line 50.

[0028] The hand dorsal portion 40 can include a pair of opposing angled flex lines 52 and 54 which begin generally at the base of the hand portion 18 adjacent the cuff portion 16 and extend generally outward to the respective side 58, 60 of the hand portion 18. The angled flex lines 52, 54 can similarly assist the glove 10 in conforming to the wearer's hand as the protective portions 44 can each independently move with respect to the other protective portions 44 as a wearer's hand flexes during play, thus providing a better fitting glove. The hand dorsal portion 40 can have a variety of additional or different flex lines as desired.

[0029] The hand dorsal portion 40 can further include a plurality of vent openings 62, 64, 66 formed therein to provide ventilation to a wearer's hand. A vent opening 62 can be disposed along the vertical flex line 50. A vent opening 64 is optionally disposed along the first angled flex line 52. Another vent opening 66 can be disposed along the second angled flex line 54. The vent openings 62, 64, 66 can provide ventilation to a

wearer's hand by allowing air into the glove interior. While three vent openings 62, 64, 66 are disclosed on the hand dorsal portion 40 of the glove 10, any number of vent openings can be utilized as desired. Additionally, the vent openings can be disposed in a variety of other locations along the protective portions 44 in accordance with the current embodiment, including within or through the respective individual protective portions themselves, instead of along the flex lines.

[0030] Referring to Figs. 1-3, the cuff portion 16 can include a first cuff portion 28, an adjacent second cuff portion 30, and a third cuff portion 32 adjacent the second cuff portion 30. The first cuff portion 28 and the second cuff portion 30 and the third cuff portion 32 are secured at an upper border portion located near the hand portion 18. The first cuff portion 28, the second cuff portion 30 and the third cuff portion 32 each can define an edge that overlaps the opposing edge of the adjacent cuff portion to provide both flexibility and protection. Specifically, the overlapping edge portions of the cuff portions 28, 30, 32 yields a split cuff. The cuff portions 28, 30, 32 can be designed to cover and protect substantial portions of a wearer's wrist and forearm. The overlapping (split cuff) configuration of the cuff portions 28, 30, 32 can provide added protection to a wearer's wrist and forearm because of the double layer of padding, and because the cuff portions 28, 30, 32 can move with respect to one another they can provide increased flexibility for a wearer's wrist as the wrist moves during play. Optionally, a split cuff portion that does not include overlapping edges can also be employed. The cuff portion 16 can be secured to the hand portion 18 by an elastic sheet or strip (not shown) that allows the cuff portion 16 and the hand portion 18 to move and stretch with respect

to one another. Optionally, instead of elastic, other stretchable materials, such as neoprene, can be utilized to connect the cuff portion 16 to the hand portion 18.

[0031] As shown in one embodiment, the first cuff portion 28 and the third cuff portion 32 may not extend entirely around the wearer's wrist and can be connected by a lace 34 that passes through openings 36 in each of the cuff portions. Optionally, the cuff portion 16 can consist of either a single or multiple pieces that extend entirely around a wearer's wrist. The cuff portion 16 can take on a variety of other suitable configurations as desired.

[0032] To the cuff portion 16, an optional floating subcuff portion 24 can be joined, and optionally substantially contained within the cuff portion 16. The subcuff portion 24 can be secured to the inner side of the first cuff portion 28 using an elastic member (not shown) and to the inner side of the third cuff portion 32 using another elastic member (not shown). The subcuff portion 24 can be attached to the cuff portion 16 in a variety of different ways, i.e., more or fewer elastic or inelastic straps, other compliant material or at a variety of different locations. Alternatively, the subcuff portion 24 can be flexibly attached to other portions of the glove 10. An optional subcuff portion 24 that can be used with the protective sports glove 10 is described in U.S. Patent Patent No. 7,636,951, and entitled "Protective Sports Glove with Floating Cuff Portion," which may be referred to for further details.

[0033] Referring now to Figs. 1-3, the one or more finger portions 20 can extend generally from the junction 47 to the respective tip 70 of each finger portion 20. The finger portions 20 can include one or more protective portions 74, 76, 78 that are sewn into a durable cover material as desired. The thumb portion 22 can also include a

plurality of protective portions 80 that extend to the tip portion 82 of the thumb portion 22. Optionally, each protective portion 80 can be separated by a generally horizontal flex line 84. The protective portion 86 closest to the tip 82 is optionally sub-divided into a first part 88 and a second part 90 by a substantially vertical flex line 92. The number of protective portions and corresponding horizontal and vertical flex lines on the thumb portion 22 can take on a variety of different configurations as desired.

[0034] Referring to Figs. 1-5, a contoured wrist guard 26 can be joined to the glove 10 such that it at least partially covers or conceals at least a portion of a junction 95 (Figs. 1, 2). Where a gap 96 is defined at the junction 95 between the hand portion 18 and the cuff portion 16, the contoured wrist cuff 26 can cover or conceal that gap 96 as desired.

[0035] As shown in Figs. 1,2 and 4, the contoured wrist cuff 26 can define a first end 100 adjacent the dorsal and/or ulnar sides of the hand portion 18 when the protective glove 10 is on the wearer. Optionally, the first end 100 can be located adjacent the palmar, ulnar and/or dorsal sides of the hand portion 18 and/or the glove 10 in general. The contoured wrist cuff can further define a second end 102 that is distal from the first end 100 and adjacent the palmar, radial, or dorsal portion of the wearer's hand when the protective glove 10 is on the wearer. Optionally, the second end 102 can be located adjacent the ulnar sides of the hand portion 18, and/or the glove 10.

[0036] The contoured wrist cuff 26 can be joined to the hand portion 18 and/or the cuff portion 16 and can be secured thereto by a variety of suitable means. For example, as shown in Fig. 4, the contoured wrist cuff 26 can include one or more

attachment elements 85, which can join the contoured wrist cuff 26 to the glove 10, optionally the hand portion 14. The attachment elements 85 can be in the form of straps, bands, laces, pieces of material, or combinations of the same. The attachment elements 85 can be constructed from cloth, elastic or inelastic material, string, thread, plastic, rubber or any other suitable material. The attachment elements 85 can join the first end 100 and the second end 102 of the contoured wrist cuff 26 to the hand portion 18 or other portions of the glove 10 as desired.

[0037] As shown in Fig. 2, an attachment element 85 can be joined with a second end 102 of the contoured wrist cuff 26 to secure the contoured wrist cuff 26 to the hand portion 18 on a palmar side 42 of the hand portion. This attachment location can vary, with the first end 100 being joined with the hand portion on any one or more of the radial, ulnar, or dorsal sides of the glove 10. As shown in Fig. 1, the second end 102 of the contoured wrist cuff can be attached to the hand portion 18 adjacent a palmer side of the glove 40, and optionally the radial side of the glove.

[0038] As desired, this attachment location can vary, with the first end 100 joined with the dorsal, or ulnar side of the glove 10. Optionally, the first end 100 and second end 102 can be joined with one another so that the contoured wrist cuff 26 completely circumferentiates the wearer's hand, wrist and/or forearm as desired. Although shown connecting the contoured wrist cuff 26 to the hand portion 18, the attachment elements 85 can join the first end 100 or second end 102, or any other part of the contoured wrist cuff 26, to at least one of the cuff portion 16, the hand portion 18 and thumb portion 22, as desired. Moreover, additional attachment elements can be added to the contoured wrist cuff 26 intermediate the first end 100 and second end 102 to retain those

intermediate regions in a generally fixed location. For example, an additional attachment element (not shown) can be added between the ends.

[0039] Returning to a general description of the contoured wrist cuff 26, with reference to Figs. 4 and 5, the cuff 26 can include a leading edge 104 that is configured so that it will not substantially impair movement of the wrist as the wrist undergoes extension, radial deviation, or a combination of these and/or other wrist movements. The general configuration that enables this movement can be explained with reference to the way that the wrist cuff 26 extends across different sides of the hand portion 18 the glove 10, and/or the wearer's hand when the glove 10 is on the wearer's hand. The contoured wrist cuff leading edge 104 can generally be configured to face forwardly, toward the thumb and/or finger portions 20 of the glove 10. The leading edge 104 can be contoured rearwardly across a dorsal side of the glove 10. For example, the leading edge 104 can be rearwardly curved so that the curve opens towards the finger portions 20. Alternatively, leading edge 104 can be angled rearwardly across at least a portion of the dorsal side of the wearer's hand transitioning from the ulnar side of the hand to the radial side of the hand as the leading edge 104 of the contoured wrist cuff 26 extends across the dorsal side of the hand and transitions from the dorsal side to the radial side of the hand portion 18 and/or glove 10.

[0040] The leading edge 104 can optionally be contoured forwardly. For example, it can transition from a rearward curve to a forwardly opening to a curve that opens toward the finger portions 20, and then begins to curve away from the finger portions 20. Optionally, in this region, which can be adjacent the thumb portion, the leading edge 104 can generally extend forwardly toward the finger portions 20 and/or

thumb portion 22. The leading edge 104, in the region adjacent at least a portion of the radial side of the wearer's hand, the glove 10 and/or the hand portion 18, can be contoured rearwardly. For example, after transitioning the foregoing portion of the glove 10, the leading edge 104 can curve or extend rearwardly across at least a portion of the radial side of the wearer's hand. The leading edge 104 can continue this rearward contour or extension to or into the palmar side of the wearer's hand, the glove 10 or the hand portion 18 as desired. The remainder of the contoured wrist cuff 26 adjacent rearward of the leading edge 104, can extend rearwardly a sufficient distance. With the contoured configuration of leading edge 104, and generally the wrist cuff 26, the contour can cover and/or conceal the junction 95 as mentioned without impairing radial deviation and extension of the wearer's wrist, or a combination of the foregoing, or other general movements of the hand such as flexion and ulnar deviation as shown in Figs. 6 and 7.

[0041] As shown in Fig. 4, the contoured wrist cuff leading edge 104 can traverse the length of the contoured wrist cuff 26, generally from the first end 100 to the second end 102. The leading edge 104 can extend through multiple portions of the wrist cuff 26, for example, a first portion 114, a second portion 116, and a third portion 118, where all of these portions are included in the wrist cuff 26. The contour of the leading edge 104 can generally be described with reference to a longitudinal axis 112.

[0042] In general, the leading edge 104 in the first portion 114 of the wrist cuff 26 can extend or curve generally toward the longitudinal axis 112, as depicted in Fig. 4. Alternatively, the leading edge 104 in the first portion 114 can extend or curve away from the longitudinal axis 112, or it can remain generally aligned with the longitudinal

axis 112. The leading edge 104 in the second portion 116 can extend or curve forwardly, away from the longitudinal axis 112. Optionally, in this portion, the leading edge can extend or curve toward the thumb portion 22 adjacent the radial side or palmar side of the wearer's hand when the glove is on the wearer or the hand portion 18 or the glove 10 in general, as depicted in Figs. 3 and 4. In the third portion 118, the leading edge 104 can extend or curve rearwardly, toward the longitudinal axis 112, adjacent the radial side or palmar side of the wearer's hand when the glove is on the wearer or the hand portion 18 or the glove 10 in general, as depicted in Figs. 2 and 4.

[0043] As also shown in Figs. 4-5, the wrist cuff 26 can further define a trailing edge 106 distal from the leading edge 104 and traversing the length of the contoured wrist cuff 26. The trailing edge can extend from the first end 100 of the contoured wrist cuff 26 to the second end 102 of the contoured wrist cuff 26 through the first portion 114, second portion 116 and third portion 118 of the contoured wrist cuff 26. The trailing edge 106 in the first portion 114 can extend across the dorsal side of the cuff portion 16. In this first portion 114, the trailing edge can be at least one of generally aligned with the longitudinal axis 112, curving toward the longitudinal axis 112, and curving away from the longitudinal axis 112. The trailing edge 106 in the second portion 116 can extend forwardly, toward the longitudinal axis 112 and toward the thumb portion 22 adjacent at least one of the radial and palmar sides. The trailing edge 106 in the third portion 118 can extend rearwardly, away from the longitudinal axis 112, adjacent to at least one of the radial and palmar sides.

[0044] More generally speaking, the leading edge 104 alternatively can be defined in terms of its distance from the longitudinal axis 112 of the contoured wrist cuff

26. The leading edge 104 can be a first distance 119 from the longitudinal axis 112 of the contoured wrist cuff 26 in a region of the contoured wrist cuff 26 that extends across a dorsal side of the wearer's hand. As the contoured wrist cuff 26 extends around the wearer's wrist and/or hand, the leading edge 104 can vary in distance from the longitudinal axis 112. Near the thumb portion 22, the leading edge 104 can be a second distance 117 from the longitudinal axis 112. That second distance 117 can be greater than the first distance 119 such that the leading edge 104 near the thumb portion 22 projects forwardly to form a bulge adjacent the thumb portion 22 and/or over a radial side of the wearer's hand.

[0045] As shown in Fig. 4, the contoured wrist cuff 26 is configured in such a manner that it generally forms a reversed "s" shape as it transitions from the first end 100 to the second end 102 on a right hand glove. This "s" shape is slightly flattened from side to side or stretched longitudinally, depending on the point of view. Additionally, the contoured wrist cuff 26 can be configured in such a manner that it generally forms an "s" shape as it transitions from the first end 100 to the second end 102 on a left hand glove (not shown). Other alternative configurations of the contoured wrist cuff 26 can be selected as desired.

[0046] The contoured wrist cuff 26 can define a width 120 between the leading edge 104 and the trailing edge 106. In one embodiment, the width 120 can be substantially uniform and/or constant along the length of the contoured wrist cuff 26, and can generally follow the same contour as the leading edge 104, as shown in Fig. 4. In another embodiment, the trailing edge 106 can remain generally aligned with the

longitudinal axis 112. The trailing edge 106, of course, can follow a variety of other contours as desired.

[0047] Although the figures of the present invention are described in connection with a contoured wrist cuff that is disposed exteriorly relative to the glove, and in particular the hand and cuff portions, the contoured wrist cuff 26 can be positioned within an interior of the glove 10 as desired. In such a configuration, the contoured wrist cuff 26 can be secured or otherwise joined with the interior of the hand portion 18 and/or the cuff portion 16 and extend in generally same fashion around the wearer's hand and/or wrist as the embodiments described above. In such an embodiment, the contoured wrist cuff 26 could still substantially conceal at least a portion of the junction 95 between the cuff portion 16 and the hand portion 18, however, the edges of those components, that is the hand portion 18 and the cuff portion 16, would still be exposed unless covered by another component.

[0048] The glove 10 and in particular, the contoured wrist cuff 26 of the present invention can provide protection of the wearer's wrist in flexion without impairing the radial deviation, ulnar deviation or extension of the wearer's wrist. The resulting increased flexibility potentially enhances the performance of a wearer. For example, the contoured wrist cuff 26 can enable a wearer to flex their wrist with a greater degree of freedom while passing or shooting a puck or ball with a stick used in these games. This can generate harder and more accurate shots and passes.

[0049] While the protective glove 10 of the present invention is directed to the sports of hockey and lacrosse, the protective glove 10 can also be utilized in a wide variety of sports, or occupational activities, in which protection to the hand or wrist is

desired. Moreover, the particular contouring of the wrist cuff 26 of the present invention is not limited to the actual shape depicted, but can cover many similar variations that provide protection to the wrist and flexibility to the wrist in many directions.

[0050] The above description is that of the current embodiments of the invention. Various alterations and changes can be made without departing from the spirit and broader aspects of the invention as defined in the appended claims, which are to be interpreted in accordance with the principles of patent law including the doctrine of equivalents. Any reference to claim elements in the singular, for example, using the articles "a," "an," "the" or "said," is not to be construed as limiting the element to the singular.

The embodiments of the invention in which an exclusive property or privilege is claimed are defined as follows:

1. A protective sports glove, comprising:

a hand portion including a hand palmar portion and an opposing hand dorsal portion;  
 a finger portion joined with and extending from the hand portion;  
 a thumb portion joined with and extending from the hand portion;  
 a cuff portion joined with the hand portion at a junction; and

a contoured wrist cuff including a leading edge generally facing the finger and thumb portions, the leading edge contoured rearwardly across a dorsal side of a wearer's hand when the glove is on a wearer's hand, the leading edge contoured forwardly adjacent the thumb portion, the leading edge contoured rearwardly across at least a portion of a radial side of a wearer's hand when the glove is on the wearer's hand;

wherein the contoured wrist cuff substantially conceals the junction between the cuff portion and the hand portion without impairing at least one of radial deviation and extension of the wearer's wrist;

wherein the contoured wrist cuff extends at least partially around at least one of the wearer's hand and the wearer's wrist when the glove is on the wearer's hand so that the leading edge is further contoured around the at least one of the wearer's hand and the wearer's wrist.

2. The protective sports glove of claim 1, comprising:

a hand portion including a hand palmar portion and an opposing hand dorsal portion;  
 a finger portion joined with and extending from the hand portion;  
 a thumb portion joined with and extending from the hand portion;  
 a cuff portion joined with the hand portion at a junction; and

a contoured wrist cuff including a leading edge generally facing the finger and thumb portions, the leading edge contoured rearwardly across a dorsal side of a wearer's hand when the glove is on a wearer's hand, the leading edge contoured forwardly adjacent the thumb portion,

the leading edge contoured rearwardly across at least a portion of a radial side of a wearer's hand when the glove is on the wearer's hand,

wherein the contoured wrist cuff substantially conceals the junction between the cuff portion and the hand portion without impairing at least one of radial deviation and extension of the wearer's wrist,

wherein the contoured wrist cuff includes a trailing edge rearwardly distal from the leading edge, the trailing edge being contoured rearwardly across the dorsal side of at least one of a wearer's hand and wrist when the glove is on a wearer's hand, the trailing edge being contoured forwardly adjacent the thumb portion, the trailing edge being contoured rearwardly across at least a portion of a radial side of a wearer's hand.

3. The protective sports glove of claim 1, wherein the contoured wrist cuff is joined to at least one of the hand portion, the thumb portion, and the cuff portion.

4. The protective sports glove of claim 1, wherein the cuff portion includes a first area and a second area, the first area of the cuff portion configured to overly the second area of the cuff portion.

5. The protective sports glove of claim 1, further including a floating subcuff portion flexibly joined with the cuff portion and extending circumferentially around at least a portion of the wearer's wrist, the floating subcuff portion contained within an interior of the cuff portion.

6. The protective sports glove of claim 1, wherein the leading edge is contoured rearwardly in the form of a curve that opens toward the finger portions across the dorsal side.

7. The protective sports glove of claim 1, comprising:  
a hand portion including a hand palmar portion and an opposing hand dorsal portion;  
a finger portion joined with and extending from the hand portion;

a thumb portion joined with and extending from the hand portion;

a cuff portion joined with the hand portion at a junction; and

a contoured wrist cuff including a leading edge generally facing the finger and thumb portions, the leading edge contoured rearwardly across a dorsal side of a wearer's hand when the glove is on a wearer's hand, the leading edge contoured forwardly adjacent the thumb portion, the leading edge contoured rearwardly across at least a portion of a radial side of a wearer's hand when the glove is on the wearer's hand,

wherein the contoured wrist cuff substantially conceals the junction between the cuff portion and the hand portion without impairing at least one of radial deviation and extension of the wearer's wrist,

wherein the leading edge generally forms at least one of an "S" shape and a reversed "S" shape as the leading edge transitions from a first end to a second end of the contoured cuff.

8. The protective sports glove of claim 1, comprising:

a hand portion including a hand palmar portion and an opposing hand dorsal portion;

a finger portion joined with and extending from the hand portion;

a thumb portion joined with and extending from the hand portion;

a cuff portion joined with the hand portion at a junction; and

a contoured wrist cuff including a leading edge generally facing the finger and thumb portions, the leading edge contoured rearwardly across a dorsal side of a wearer's hand when the glove is on a wearer's hand, the leading edge contoured forwardly adjacent the thumb portion, the leading edge contoured rearwardly across at least a portion of a radial side of a wearer's hand when the glove is on the wearer's hand,

wherein the contoured wrist cuff substantially conceals the junction between the cuff portion and the hand portion without impairing at least one of radial deviation and extension of the wearer's wrist,

wherein the contoured wrist cuff defines a longitudinal axis, wherein the leading edge is a first distance from the longitudinal axis near the thumb portion, wherein the leading edge is a

second distance from the longitudinal axis adjacent the thumb portion, wherein the second distance is greater than the first distance.

9. A protective sports glove, comprising:

a hand portion including a palmar portion adapted to be positioned on a palmar side of a wearer's hand and an opposing dorsal portion adapted to be positioned on a dorsal side of the wearer's hand, the dorsal portion including a plurality of hand padding elements;

a finger portion joined with and extending from the hand portion, the finger portion adapted to receive a finger of a wearer, the finger portion including a finger padding element to protect a dorsal side of the finger of the wearer;

a thumb portion joined with and extending from the hand portion, the thumb portion adapted to receive a wearer's thumb extending from a radial side of the wearer's hand, the radial side of the wearer's hand being opposite an ulnar side of the wearer's hand, the thumb portion including a thumb padding element to protect a dorsal side of the thumb of the wearer;

a cuff portion joined with the hand portion at a junction, the cuff portion adapted to cover at least a portion of at least one of a wrist and a forearm of the wearer; and

a contoured wrist cuff joined with at least one of the hand portion, the thumb portion and the cuff portion, the contoured wrist cuff including a first end and a second end, the first end adjacent at least one of the dorsal and ulnar sides of the wearer's hand when the glove is on the wearer, the second end distal from the first end and located adjacent at least one of the palmar, dorsal and radial sides of the wearer's hand when the glove is on the wearer, the contoured wrist cuff including a longitudinal axis extending from the first end toward the second end, the contoured wrist cuff including a leading edge extending through a first portion, a second portion, and a third portion of the contoured wrist cuff,

wherein the leading edge in the first portion extends across the dorsal side of the wearer's hand, the leading edge in the first portion being at least one of generally aligned with the longitudinal axis, curving toward the longitudinal axis, and curving away from the longitudinal axis,

wherein the leading edge in the second portion extends forwardly, away from the longitudinal axis toward the thumb portion adjacent at least one of the radial and palmar sides of the wearer's hand when the glove is on the wearer,

wherein the leading edge in the third portion extends rearwardly, toward the longitudinal axis adjacent at least one of the radial and palmar sides of the wearer's hand when the glove is on the wearer,

wherein the contoured wrist cuff substantially conceals at least a portion of the junction between the cuff portion and the hand portion without impairing at least one of radial deviation and extension of the wearer's wrist when the wearer manipulates a game stick.

10. The protective sports glove of claim 9, wherein the contoured wrist cuff defines a trailing edge extending from the first end of the contoured wrist cuff to the second end of the contoured wrist cuff through the first portion, second portion and third portion of the contoured wrist cuff, wherein the trailing edge is substantially parallel to the leading edge.

11. The protective sports glove of claim 9, wherein the contoured wrist cuff defines a width between the leading edge and a trailing edge, the width being substantially uniform from the first end to the second end.

12. The protective sports glove of claim 9, comprising:

a hand portion including a palmar portion adapted to be positioned on a palmar side of a wearer's hand and an opposing dorsal portion adapted to be positioned on a dorsal side of the wearer's hand, the dorsal portion including a plurality of hand padding elements;

a finger portion joined with and extending from the hand portion, the finger portion adapted to receive a finger of a wearer, the finger portion including a finger padding element to protect a dorsal side of the finger of the wearer;

a thumb portion joined with and extending from the hand portion, the thumb portion adapted to receive a wearer's thumb extending from a radial side of the wearer's hand, the radial side of the wearer's hand being opposite an ulnar side of the wearer's hand, the thumb portion including a thumb padding element to protect a dorsal side of the thumb of the wearer;

a cuff portion joined with the hand portion at a junction, the cuff portion adapted to cover at least a portion of at least one of a wrist and a forearm of the wearer; and

a contoured wrist cuff joined with at least one of the hand portion, the thumb portion and the cuff portion, the contoured wrist cuff including a first end and a second end, the first end adjacent at least one of the dorsal and ulnar sides of the wearer's hand when the glove is on the wearer, the second end distal from the first end and located adjacent at least one of the palmar, dorsal and radial sides of the wearer's hand when the glove is on the wearer, the contoured wrist cuff including a longitudinal axis extending from the first end toward the second end, the contoured wrist cuff including a leading edge extending through a first portion, a second portion, and a third portion of the contoured wrist cuff,

wherein the leading edge in the first portion extends across the dorsal side of the wearer's hand, the leading edge in the first portion being at least one of generally aligned with the longitudinal axis, curving toward the longitudinal axis, and curving away from the longitudinal axis,

wherein the leading edge in the second portion extends forwardly, away from the longitudinal axis toward the thumb portion adjacent at least one of the radial and palmar sides of the wearer's hand when the glove is on the wearer,

wherein the leading edge in the third portion extends rearwardly, toward the longitudinal axis adjacent at least one of the radial and palmar sides of the wearer's hand when the glove is on the wearer,

wherein the contoured wrist cuff substantially conceals at least a portion of the junction between the cuff portion and the hand portion without impairing at least one of radial deviation and extension of the wearer's wrist when the wearer manipulates a game stick,

wherein the leading edge generally forms at least one of an "S" shape and a reversed "S" shape as the leading edge transitions from a first end to a second end of the contoured wrist cuff.

13. The protective sports glove of claim 9, wherein the leading edge is curved toward the longitudinal axis so that the leading edge generally opens toward the finger portion.

14. A protective sports glove, comprising:

a hand portion including a hand palmar portion and an opposing hand dorsal portion;

a finger portion joined with and extending from the hand portion;

a thumb portion joined with and extending from the hand portion;

a cuff portion joined with the hand portion at a junction; and

a contoured wrist cuff including a leading edge generally facing away from a longitudinal axis of the contoured wrist cuff and toward the finger and thumb portions, the leading edge extending substantially linearly across a dorsal side of a wearer's hand when the glove is on a wearer's hand, the leading edge defining a curvilinear portion where the leading edge transitions from a dorsal side to a radial side of the wearer's hand when the glove is on a wearer's hand, the leading edge extending forwardly away from the longitudinal axis of the contoured wrist cuff adjacent at least a portion of the thumb portion,

wherein the contoured wrist cuff substantially conceals at least a portion of the junction between the cuff portion and the hand portion without impairing at least one of radial deviation and extension of the wearer's wrist.

15. The protective sports glove of claim 14, wherein the leading edge extends forwardly away from the longitudinal axis of the contoured wrist cuff near a portion of the thumb portion adjacent the radial side of the wearer's hand, and transitions to extend rearwardly toward the longitudinal axis of the contoured wrist cuff adjacent another portion of the thumb portion.

16. The protective sports glove of claim 14, wherein the contoured wrist cuff includes a trailing edge distal from and rearwardly displaced from the leading edge.

17. The protective sports glove of claim 16, wherein the trailing edge includes a curvilinear portion that opens away from the longitudinal axis and away from the thumb portion adjacent the thumb portion.

18. The protective sports glove of claim 14, wherein the contoured wrist cuff is joined with at least one of the hand portion, thumb portion, and cuff portion.

19. The protective sports glove of claim 14, comprising:  
a hand portion including a hand palmar portion and an opposing hand dorsal portion;  
a finger portion joined with and extending from the hand portion;  
a thumb portion joined with and extending from the hand portion;  
a cuff portion joined with the hand portion at a junction; and  
a contoured wrist cuff including a leading edge generally facing the finger and thumb portions, the leading edge extending substantially linearly across a dorsal side of a wearer's hand when the glove is on a wearer's hand, the leading edge defining a curvilinear portion where the leading edge transitions from a dorsal side to a radial side of the wearer's hand when the glove is on a wearer's hand, the leading edge extending forwardly adjacent at least a portion of the thumb portion,

wherein the contoured wrist cuff substantially conceals at least a portion of the junction between the cuff portion and the hand portion without impairing at least one of radial deviation and extension of the wearer's wrist,

wherein the leading edge generally forms at least one of an "S" shape and a reversed "S" shape as the leading edge transitions from a first end to a second end of the contoured cuff.

20. A protective sports glove, comprising:

a hand portion including a hand palmar portion and an opposing hand dorsal portion;

a finger portion joined with and extending from the hand portion;

a thumb portion joined with and extending from the hand portion;

a cuff portion joined with the hand portion at a junction; and

a contoured wrist cuff including a leading edge generally facing the finger and thumb portions, the leading edge extending substantially linearly across a dorsal side of a wearer's hand when the glove is on a wearer's hand, the leading edge defining a curvilinear portion where the leading edge transitions from a dorsal side to a radial side of the wearer's hand when the glove is on a wearer's hand, the leading edge extending forwardly adjacent at least a portion of the thumb portion,

wherein the contoured wrist cuff substantially conceals at least a portion of the junction between the cuff portion and the hand portion without impairing at least one of radial deviation and extension of the wearer's wrist,

wherein the leading edge curves toward the thumb portion of the radial side and curves away from at least one of the thumb portion and the finger portion as the leading edge transitions from the radial side to the ulnar side.

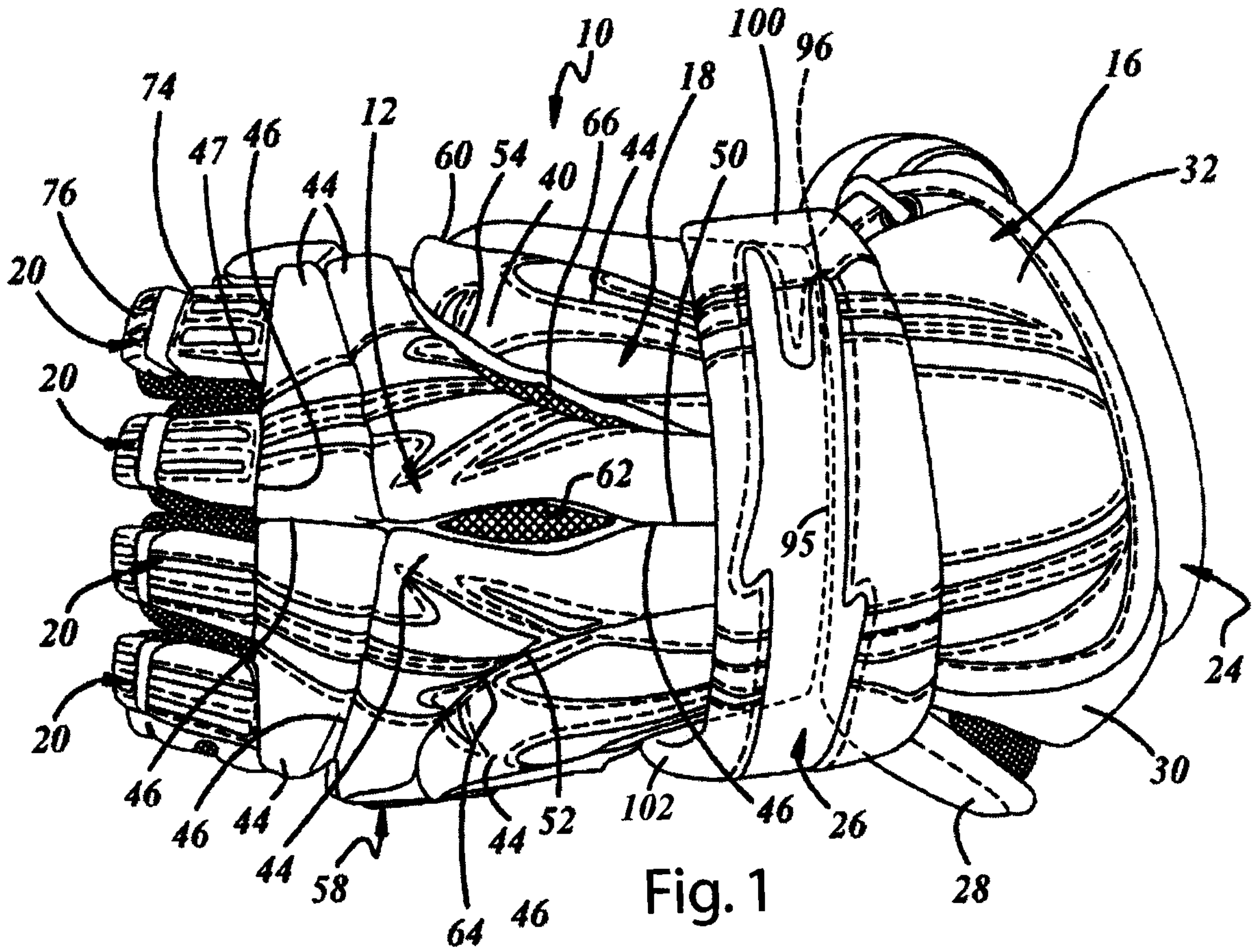


Fig. 1

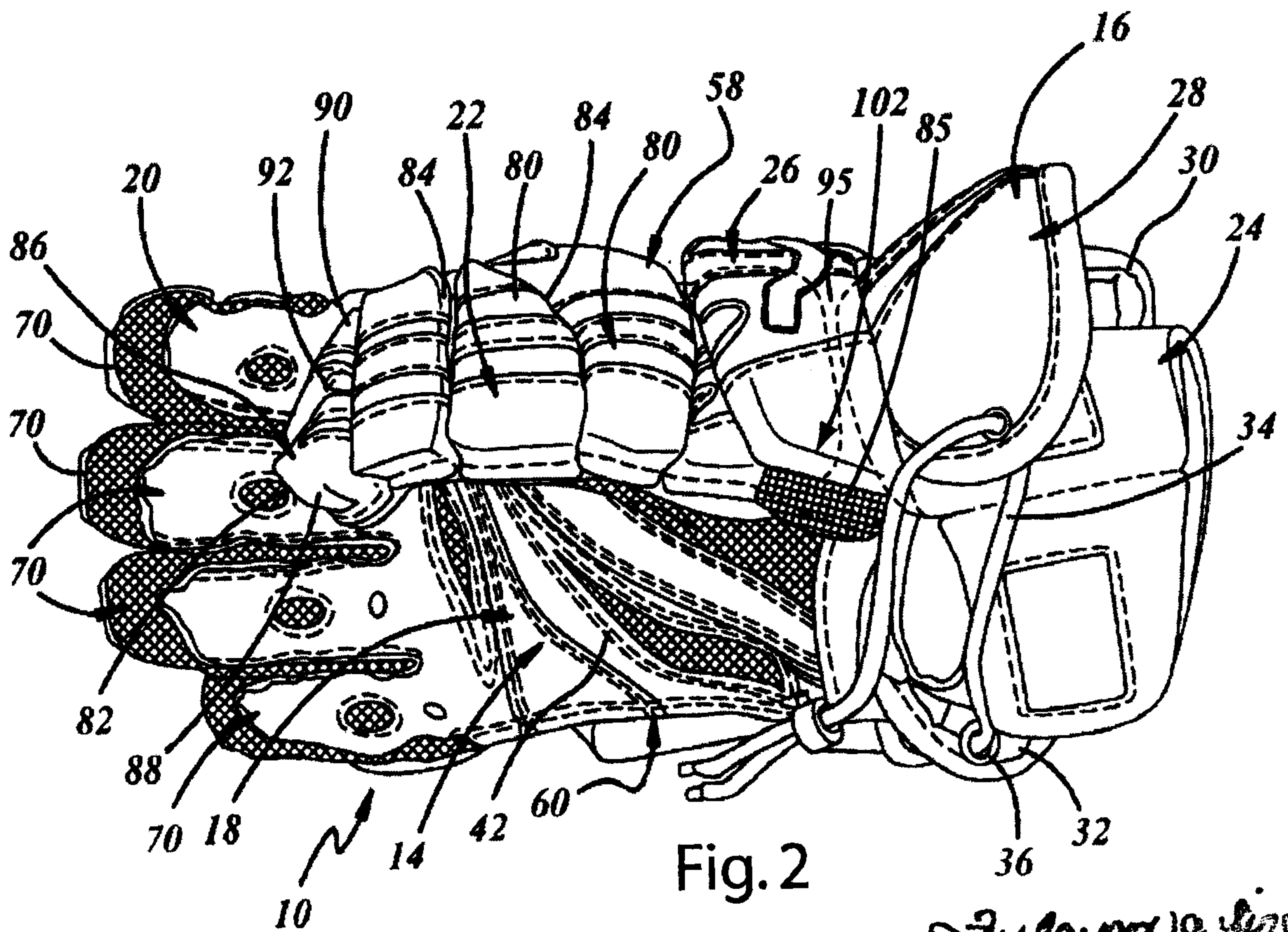
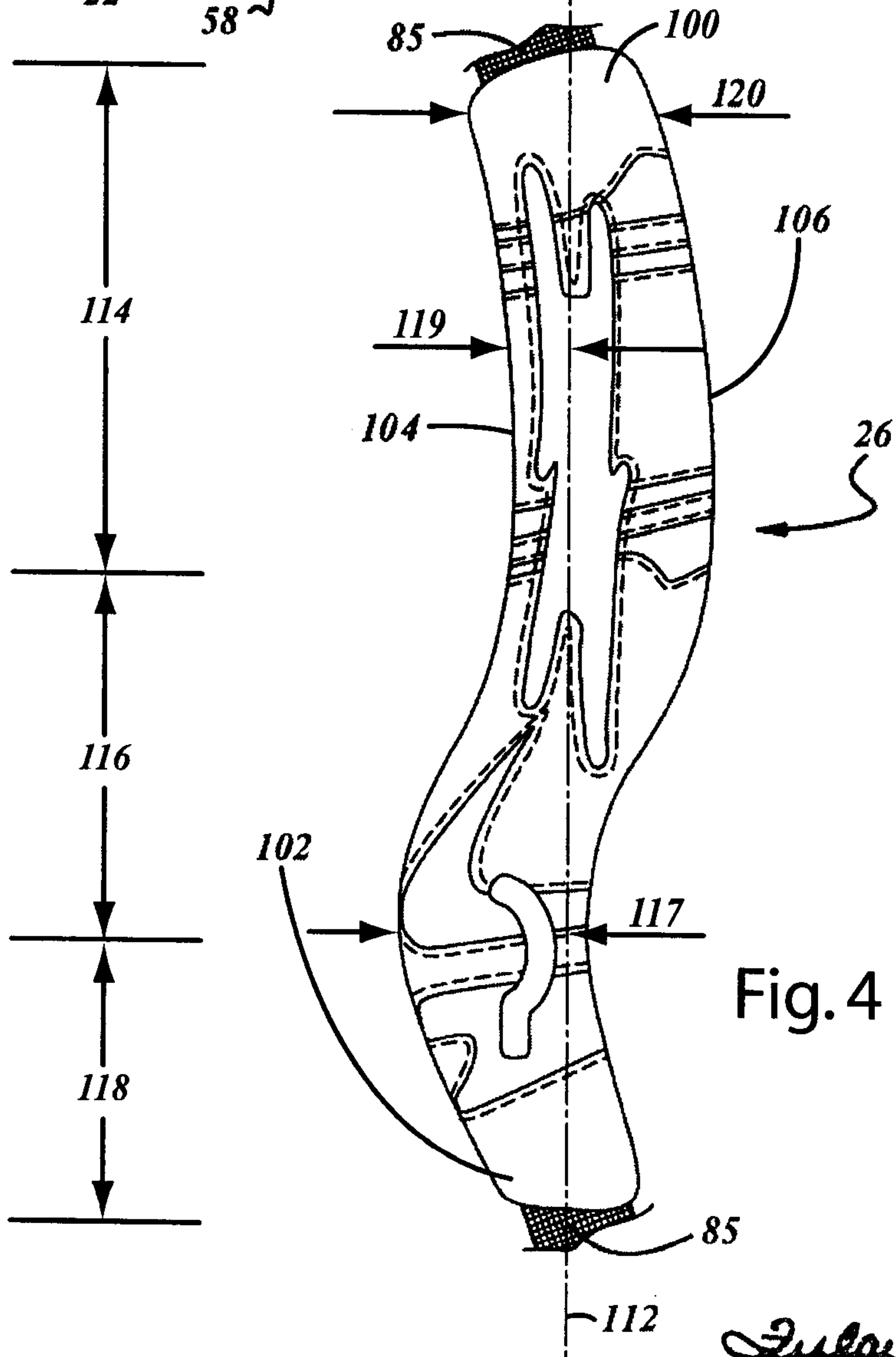
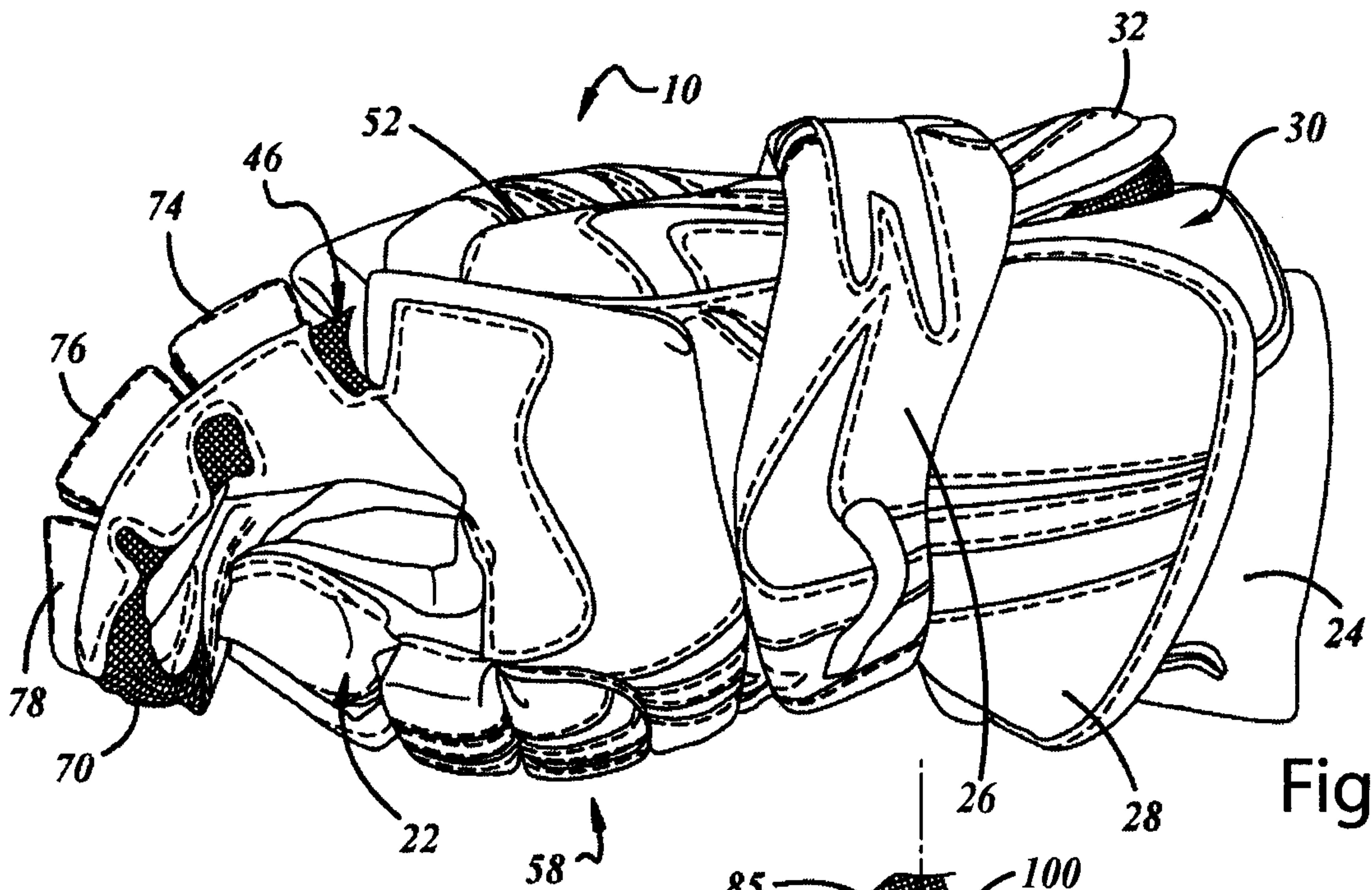


Fig. 2

*Julay & Singletree*  
PATENT AGENTS



*Julayan & Singletary*  
PATENT AGENTS

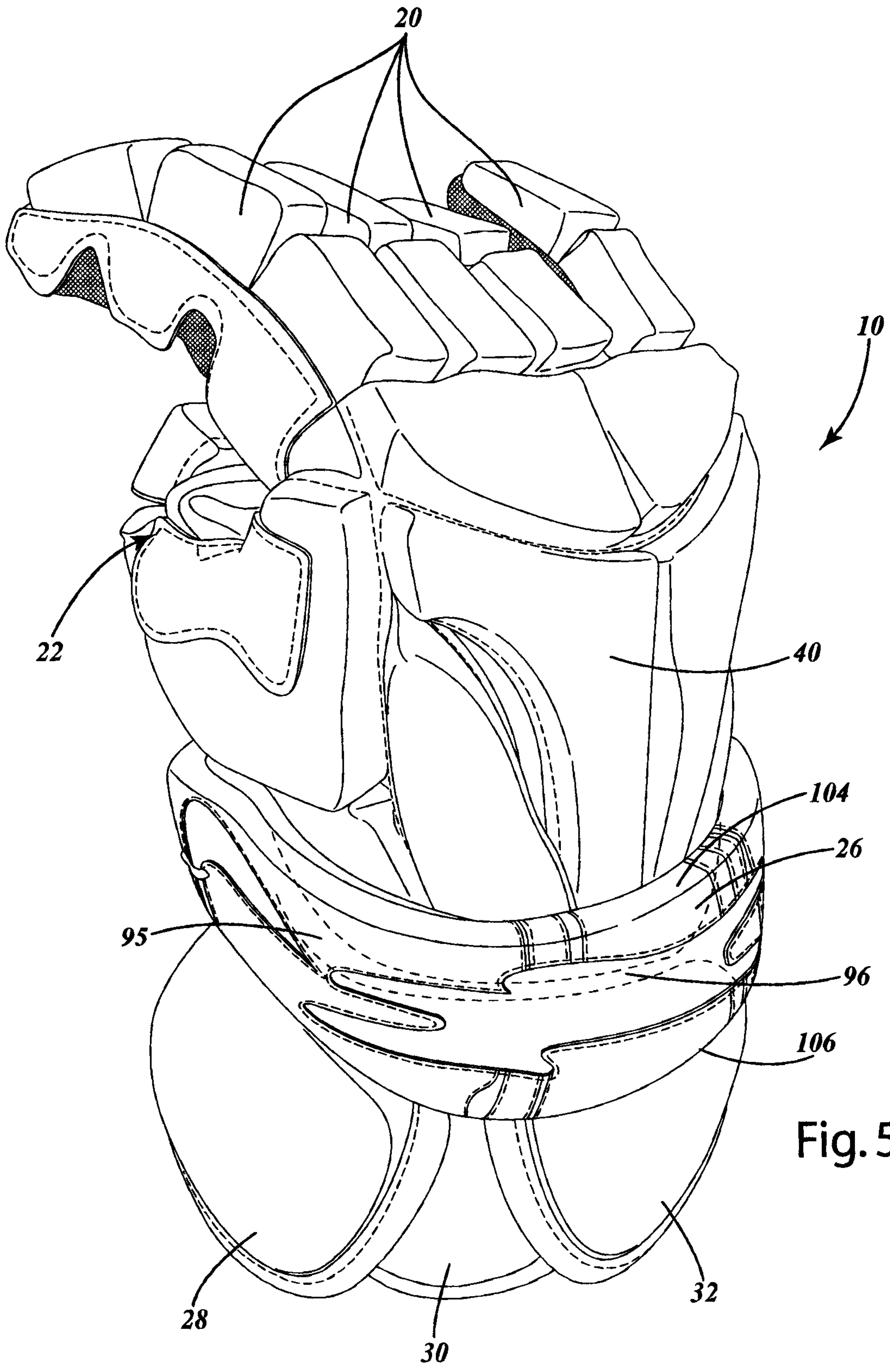


Fig. 5

*Eulay & Associates*  
PATENT AGENTS

