



- (51) **International Patent Classification:**
F21V 29/00 (2006.01)
- (21) **International Application Number:**
PCT/US2012/028990
- (22) **International Filing Date:**
14 March 2012 (14.03.2012)
- (25) **Filing Language:** English
- (26) **Publication Language:** English
- (30) **Priority Data:**
13/093,197 25 April 2011 (25.04.2011) US
- (71) **Applicant (for all designated States except US):** **TER-RALUX, INC.** [US/US]; 1830 Lefthand Circle, Longmont, CO 80501 (US).
- (72) **Inventors; and**
- (75) **Inventors/Applicants (for US only):** **CATALANO, Anthony** [US/US]; 1448 Carriage Hills Drive, Boulder, CO 80302 (US). **HARRISON, Daniel, J.** [US/US]; 136 Cougar Run, Nederland, CO 80466 (US).
- (74) **Agents:** **CURRIE, Matthew T.** et al.; Bingham McCutchen LLP, 2020 K Street, NW, Washington, DC 20006 (US).
- (81) **Designated States (unless otherwise indicated, for every kind of national protection available):** AE, AG, AL, AM,

AO, AT, AU, AZ, BA, BB, BG, BH, BR, BW, BY, BZ, CA, CH, CL, CN, CO, CR, CU, CZ, DE, DK, DM, DO, DZ, EC, EE, EG, ES, FI, GB, GD, GE, GH, GM, GT, HN, HR, HU, ID, IL, IN, IS, JP, KE, KG, KM, KN, KP, KR, KZ, LA, LC, LK, LR, LS, LT, LU, LY, MA, MD, ME, MG, MK, MN, MW, MX, MY, MZ, NA, NG, NI, NO, NZ, OM, PE, PG, PH, PL, PT, QA, RO, RS, RU, RW, SC, SD, SE, SG, SK, SL, SM, ST, SV, SY, TH, TJ, TM, TN, TR, TT, TZ, UA, UG, US, UZ, VC, VN, ZA, ZM, ZW.

- (84) **Designated States (unless otherwise indicated, for every kind of regional protection available):** ARIPO (BW, GH, GM, KE, LR, LS, MW, MZ, NA, RW, SD, SL, SZ, TZ, UG, ZM, ZW), Eurasian (AM, AZ, BY, KG, KZ, MD, RU, TJ, TM), European (AL, AT, BE, BG, CH, CY, CZ, DE, DK, EE, ES, FI, FR, GB, GR, HR, HU, IE, IS, IT, LT, LU, LV, MC, MK, MT, NL, NO, PL, PT, RO, RS, SE, SI, SK, SM, TR), OAPI (BF, BJ, CF, CG, CI, CM, GA, GN, GQ, GW, ML, MR, NE, SN, TD, TG).

Published:

- with international search report (Art. 21(3))
- before the expiration of the time limit for amending the claims and to be republished in the event of receipt of amendments (Rule 48.2(h))



WO 2012/148585 A1

(54) **Title:** LIGHT EMITTING DIODE REPLACEMENT LAMP

(57) **Abstract:** In various embodiments, an illumination device includes a housing, a power connector for connecting the illumination device to a power socket and receiving input power, a light emitter for direct illumination disposed within the housing, a circuit for regulating the input power and providing the regulated power to the light emitter, and a decorative illumination element for providing decorative illumination.

LIGHT EMITTING DIODE REPLACEMENT LAMP

Cross-Reference to Related Applications

[0001] This application is a continuation-in-part of and claims priority to U.S. Patent Application Serial No. 13/093,197, filed on April 25, 2011, the entire disclosure of which is incorporated herein by reference.

Technical Field

5 [0002] In various embodiments, the present invention relates generally to illumination systems and methods incorporating light emitting diodes (LEDs), and more specifically to such systems and methods that provide both direct illumination and decorative illumination.

Background

[0003] Currently lighting applications are dominated by incandescent lighting products. Because they use hot filaments, these products produce considerable heat, which is wasted, in addition to visible light that is desired. Halogen-based lighting enables filaments to operate at a higher temperature without premature failure, but again considerable non-visible infrared light is emitted, and this heat is directed away from the lamp to the extent feasible. This is conventionally done by using a dichroic reflector shade that preferentially passes the infrared as well as a portion of the visible light. The nature of this dichroic reflector is such that it passes several different visible colors as well as the infrared radiation, giving a somewhat pleasing appearance. This has led to numerous decorative applications for such halogen lights. These lights consume substantial current and dissipate considerable unwanted heat. Halogen bulbs are designed to operate at a variety of voltages between 12 volts (V) to as high 15 V or greater.

20 [0004] Light emitting diodes have operating advantages compared to ordinary incandescent and halogen lights. LEDs typically emit a narrow range of wavelengths, thereby eliminating, to a large degree, wasted non-visible energy. White light can be created by combining light colors. LEDs can also emit in the ultraviolet wavelength range, in which case white light (as well as certain colors) can be created by excitation of a phosphor.

- 2 -

[0005] LEDs have an extremely long life compared to incandescent and halogen bulbs. Whereas incandescent and halogen bulbs may have a life expectancy of 2000 hours before the filament fails, LEDs may last as long as 100,000 hours, and 5,000 hours is fairly typical. Moreover, unlike incandescent and halogen bulbs, LEDs are not shock-sensitive and can
5 withstand large forces without failure, while the hot filament of an incandescent or halogen bulb is prone to rupture.

[0006] Halogen bulbs, incandescent bulbs, and LEDs all typically require a fixed operating voltage and current for optimal performance. Too high an operating voltage causes premature failure, while too low an operating voltage or current reduces light output. Also, the color of
10 incandescent and halogen lights shifts toward the red end of the visible spectrum as current and voltage are reduced. This is in contrast to LEDs, in which only the intensity of the light is reduced. Furthermore, as the voltage to an incandescent or halogen light is reduced, its temperature drops; as a result, its internal resistance decreases, leading to higher current consumption but without commensurate light output. In cases where batteries are used as the
15 source of energy, they can be drained without producing visible light.

[0007] Incandescent and halogen bulbs require a substantial volume of space to contain the vacuum required to prevent air from destroying the filament, to keep the glass or silica envelope from overheating, and to insulate nearby objects from the emitted heat. In contrast, LEDs, as solid-state devices, require much less space and generate much less heat. If the
20 volume of an incandescent or halogen bulb is allocated to a solid-state LED light, considerably more functions may be incorporated into the lighting product.

[0008] Unlike incandescent and halogen lights, LEDs ordinarily produce light in a narrow, well-defined beam. While this is desirable for many applications, the broad-area illumination afforded by incandescent and halogen lights is also often preferred. This is not easily
25 accomplished using LEDs. The light produced by incandescent and halogen lights that is not directed towards the target performs a useful function by providing ancillary illumination and a decorative function. Halogen lights with their dichroic reflectors do this necessarily, but ordinary incandescent lights can employ external shades, not part of the light bulb, in a variety of artistic designs to make use of this otherwise misdirected light.

- 3 -

Summary

[0009] Embodiments of the present invention overcome the limitations of halogen or incandescent light sources, and combine their desirable properties with the advantages afforded by LEDs into a unique system. Various embodiments include systems and methods that provide direct illumination as well as decorative illumination distinct from the direct illumination.

[0010] Embodiments of the present invention therefore include an LED-based light emitter (which includes one or more LEDs) for replacing standard incandescent and halogen bulbs for a wide variety of purposes. In accordance with various embodiments, lighting systems have enhanced functionality compared to that of conventional incandescent- or halogen-based lighting systems, and typically include a decorative illumination element that provides, e.g., decorative illumination distinct from the direct illumination from the light emitter.

[0011] Some embodiments include an electrical connector or base the same as or equivalent to a standard bulb base, a printed circuit board (or other circuit substrate or module) electrically connected to the base, a driving circuit that may be mounted on or embodied by the printed circuit board, and/or one or more LEDs of one or more colors that may be attached to the printed circuit board. The driving circuit may include or consist essentially of a solid-state circuit that regulates the voltage and current available from the electrical source (e.g., a power socket) and regulates the output to a constant value utilized by the LEDs. The available source voltage may be either greater than or less than that utilized by the LEDs.

[0012] Various embodiments of the present invention include an LED lamp that replaces incandescent and/or halogen lamps as well as their decorative shades by including LEDs on both sides of the printed circuit (PC) board, where the decorative LEDs may be on the opposite side of that intended for direct illumination. The decorative LEDs may, for example, illuminate an envelope or shade around the lamp.

[0013] Lighting systems in accordance with various embodiments may also include additional circuitry, e.g., to allow remote control of lighting functions via an infrared or wireless device; to change the color of either or both of the (decorative) shade illumination and the direct-illumination LEDs; to impart a time-varying color and/or intensity to the (decorative) shade illumination and/or the direct illumination; to enable external switching via mechanical action of color, pattern, and/or intensity on either the shade or direct illumination; and/or to

- 4 -

enable the switching of the various functions of color, intensity, and/or pattern by interrupting the power to the circuit within a predetermined time interval.

[0014] Mechanisms such as mechanical actuators that alter the pattern and color of light to the shade for the purpose of decorative illumination may also be included. Such mechanisms
5 may be or include a shadow screen, a multi-faceted mirror, or other reflective or diffractive optical component or components either fixed within the envelope of the lighting unit or which are configured to move in order to vary the pattern and/or color of the resulting light for decorative and/or direct-illumination purposes.

[0015] Various embodiments of the present invention feature one or more additional light
10 emitters such as LEDs disposed within the envelope (housing) of the light bulb to provide the decorative illumination. A separate, secondary circuit may be used to produce a constant current for the additional, decorative light emitter(s) and control their decorative illumination characteristics such as intensity, color, pattern, and/or frequency. The secondary circuit may be connected to the main source of power. Light generated from the decorative light emitter(s)
15 may be guided along at least a portion of the length of an optical component and exit the housing through openings on the shade of the housing. Such embodiments may include a secondary optical element to direct light generated by the light emitter for direct illumination (e.g., the primary-illumination LED(s)) to provide the decorative illumination. A heat sink may be thermally connected to any or all of the light emitters for regulation of their temperature. A
20 circuit may provide remote control of lighting functions of the lighting system (e.g., the decorative light emitter(s)) via, e.g., an infrared or wireless device.

[0016] One or more optical components may be disposed within the housing, and may direct a first, larger (e.g., more intense) portion of light generated by the light emitter(s) for direct illumination and direct a second, smaller (e.g., less intense) portion of light for decorative
25 illumination. The second portion of light may be guided along the length of a secondary optical component and exit the housing through one or more openings on the shade of the housing. In an alternative embodiment, the decorative illumination is achieved by light emission through a plurality of light paths connecting the housing and the optical component that directs the second portion of light from the light emitter.

Brief Description of the Drawings

[0017] In the drawings, like reference characters generally refer to the same parts throughout the different views. Also, the drawings are not necessarily to scale, emphasis instead generally being placed upon illustrating the principles of the invention. In the following description, various embodiments of the present invention are described with
5 reference to the following drawing, in which:

FIG. 1 illustrates various views of an exemplary halogen illumination device referred to commonly as an MR-16.

FIG. 2 illustrates various view of an embodiment of the present invention that can retrofit the halogen illumination device and contains LEDs for illumination on one side and
10 LEDs for direct illumination on the other. Circuitry to enable regulation and other features is also shown.

FIG. 3 illustrates various views of an embodiment of the present invention in which high intensity LEDs are placed on both sides to produce shade illumination and direct illumination. A switch and circuitry for changing the attributes of the lighting is also shown.

FIG. 4 illustrates various views of another embodiment of the present invention in
15 which a movable, multifaceted mirror is included on the shade side of the illumination unit to provide a variable pattern on the shade.

FIG. 5A illustrates various views of another embodiment of the present invention in which an internal fixture containing apertures is included to pattern illumination to the shade.

FIG. 5B is a sectional view of another embodiment of the present invention in which an
20 additional LED is disposed within the housing to produce decorative illumination.

FIG. 5C is a sectional view of another embodiment of the present invention in which decorative illumination arises from an optical component that directs light generated from the primary light emitter.

FIG. 5D is a sectional view of another embodiment of the present invention in which a
25 plurality of the light paths, connecting the housing and the optical component, direct a portion of the light from the primary light emitter for decorative illumination.

- 6 -

FIG. 6 shows elevational and top views of a means for producing a series/parallel circuit comprised of individual LED semiconductor chips on a circuit board that results in a high-density lighting array.

FIG. 7 shows elevational and top views of an embodiment of the high-density LED array coupled with an integrated lens array that is movable to produce variable-directional lighting.

FIGS. 8(a) and 8(b) schematically illustrate a constant-current implementation of a compact dc/dc boost converter with a feature that enables current regulation of LEDs based on the thermal environment.

FIGS. 9(a) and 9(b) schematically illustrate a compact constant-current buck/boost circuit for current regulation based on the thermal environment in accordance with various embodiments of the invention.

Detailed Description

[0018] FIG. 1 illustrates an incandescent halogen-type bulb commonly available. The features of this bulb derive from its operating characteristics: it operates at high temperatures; it requires an evacuated envelope separated from the hot filament; it emits large quantities of infrared radiation experienced by the user as heat; and it consumes large quantities of electrical power. Nonetheless, these devices are in common usage and fixtures and appliances have been constructed to accommodate the form, fit, and function of these bulbs. This particular unit is a model MR-16.

[0019] The essential components of the bulb include a connector 101 that attaches to a standard source of electrical power (e.g., a power socket) that has a mating adapter; an evacuated transparent capsule 102 containing the hot filament 105; an envelope 103 that acts as a shade and filter to allow infrared radiation to pass, while reflecting a portion of the desirable visible light to the objects below; and a transparent front cover 104 that allows the radiation to pass, while protecting the evacuated capsule 102 from breakage.

[0020] FIG. 2 illustrates an embodiment of the current invention. This illuminating device preferably has the same form, fit and function as the incandescent illumination device of FIG. 1 and as such has a similar electrical connector 201 and similarly shaped transparent or translucent envelope 202. The envelope 202 will generally act to scatter light emitted from

- 7 -

inside the envelope and be visible from the outside. As such, the envelope 202 may serve as a screen onto which are projected and displayed images, colors or other decorative or information-containing light either visible to humans or at shorter or longer wavelengths. The decorative or informational content may be generated by circuitry contained on one or more circuit boards 206 within the envelope of the bulb 202. This circuit 206 in its simplest form controls other illumination devices such as, e.g., the LEDs 207 located on the back of the circuit board 204. Another circuit 205 may be used to control high-power LEDs 209 in an array 208 for direct illumination of objects outside the envelope of the lighting device.

However, this circuit or circuits may enable several useful features, including (i) a timer to adjust the color and illumination level according to some preset or user-adjustable schedule, (ii) a photocell to turn the light on or off depending on the ambient light level and or a proximity sensor, (iii) a signaling function that communicates with other lights, and/or (iv) a user-accessible switch that enables switching of illumination characteristics such intensity, color, and/or continuous or flashing illumination modes.

[0021] Also typically located on circuit board 204 is a power-conditioning circuit 205 that regulates power to the high-intensity LEDs 208 located on the underside of the board. This circuit adapts and controls the power available via the connector 201 and conducted to the board via wires 203. The circuit 205 may contain storage features including a battery to enable the lighting device to act as an emergency light source in the event of a power failure. The circuit may rectify AC power to DC to suit the desired current and voltage required by the series and/or parallel array of LEDs and provide power to other on-board circuitry.

[0022] In this embodiment, the LEDs 207 on the backside of the PC board 204 may serve the function of communication and/or decoration. For decorative purposes, the shade 202 is preferably made of a colored or white transparent (or preferably translucent) material such as plastic or glass that is textured to scatter light. In this manner light from the LEDs 207 impinges on this surface and is made more visible to the user, and may serve the function of decoration. The shade 202 may also contain penetrations 210 to allow heat to exit the LED enclosure.

[0023] FIG. 3 illustrates a similar incandescent replacement product. This product also contains an electrical connector 301, a shaped translucent or transparent envelope 302 with holes 310 to remove heat, one or more printed circuit boards 304 within the enclosure, and

- 8 -

means such as wires 303 to conduct electrical power to these board(s). This embodiment has high-intensity illumination LEDs 307 on the top surface and other high-intensity LEDs 309 in an array 308 on the bottom surface. Unlike the product of FIG. 2, which had small LEDs with a narrow exit beam and low intensity, these high intensity LEDs 309 and 307 have a higher
5 light output (generally greater than 10 lumens), and the exit angle of the light may range from a narrow angle to a very broad beam as desired. To control these LEDs, additional circuitry may be required as shown in the figure. In addition to the power-transforming circuit 305 and the control circuits 306, additional power handling circuits 311 may be included. The high-power LEDs may have one or more colored light outputs other than white, and have different
10 orientations other than vertical to provide decorative illumination above the lighting product. A switch 311 that is accessible by the user may be used to control characteristics of operation of the lighting product.

[0024] FIG. 4 illustrates another embodiment of the present invention. Unlike the previous examples in which modification of the color, intensity and pattern is performed by electrically
15 controlling the electrical power to individual devices of one or more orientations and/or color, this embodiment contains a mechanical feature for varying the intensity and/or pattern with time. Variation is accomplished by, for example, a multi-faceted mirror 420, operated by a miniature electric motor 421 that changes the orientation and position of the mirror. In this way light is reflected or diffracted to form a pattern of shapes and/or color on the translucent or
20 transparent envelope 402.

[0025] FIG. 5A illustrates another embodiment that includes a patterned mask 520 (or other suitable means) that casts a shadow or other predetermined pattern by blocking or otherwise
modifying the pattern of light emanating from the internal LEDs 507 located on the back side of the circuit board 504. Other features from other embodiments discussed herein may also be
25 incorporated.

[0026] FIG. 5B illustrates another embodiment in which an additional, separate light emitter 531 (such as, e.g., one or more LEDs) is controlled and/or powered by a main illumination circuit 532. The light emitter 531 may be coupled to separate and dedicated optics 533 to provide flexibility in design, as light emitter 531 is generally meant to provide
30 decorative illumination that is distinct from and that complements the direct illumination from the primary illumination source 534. For example, the decorative illumination may be different

from the direct illumination at least in terms of illumination direction, color, and/or intensity. Power is provided via connection of a power connector 535 to an input power source, which, for example, may be either 115 VAC or 12 VAC. A circuit 532 is preferably used to convert the alternating voltage to an approximately constant DC current.

5 [0027] Light generated by the primary illumination source 534 may be directed by an optical component 536 (e.g., a total-internal-reflection (TIR) optic) and exit a substantially transparent cover 537 attached to the housing (envelope) 538 to provide direct illumination. Electrical connector (or circuit) 539 typically connects the light emitter 531 to the circuit 532, which may produce a smaller constant current for the decorative light emitter 531 than that for
10 the primary illumination source 534. Electrical connector 539 may be connected to the main power source; it may include or consist essentially of a resistor that limits current to the decorative light emitter 531 and that is in parallel to the primary illumination source 534. The circuit 539 may contain other suitable electronics that modulate or adjust the decorative illumination, such as the intensity, color, and/or frequency of the decorative light emitter 531.
15 The light from the decorative light emitter 531 may be emitted in substantially the same direction as light from the primary illumination source 534, but separate optics may be utilized to accomplish the desired decorative illumination. For example, light-guiding optics 533 may include an optical light guide or a solid plastic pipe that directs light along its length, creating a linear “stripe” of light down the outside of the device.

20 [0028] A heat sink 540 may be thermally connected to the thermal path of the illumination device and thus regulate the temperature of the primary illumination source 534; the heat sink 540 may be co-linear with the light-guiding optics 533. Characteristics of the decorative illumination arising from light emitter 531, such as the intensity, color, frequency, and/or pattern of the light, may be responsive to a remote control that may be either optical (e.g.,
25 infrared), wireless (e.g., radio-frequency), or wired (Ethernet, RS-232, etc.).

[0029] As described above, a backward-facing LED sharing a PCB with a primary illumination source may be used for decorative illumination. Furthermore, a separate light emitter, e.g., with dedicated control and/or power circuitry, in the housing may provide decorative illumination. In both cases, decorative illumination is formed *actively* from a
30 secondary light emitter providing its own light.

- 10 -

[0030] In another embodiment of the present invention, decorative illumination is created *passively* via utilization of a portion of the light from the primary illumination source.

Reflecting optics may be used to direct light from light sources such as LEDs for direct illumination. Such reflecting optics may be aluminized reflectors that may have a parabolic shape to enhance the directionality of the forward light. The optics may also include TIR
5 optics, which utilize the refractive index difference between two different media to yield a reflective internal surface. TIR optics are often very high efficiency (85-90%) compared to ordinary metal-coated reflectors. The design of both types of reflectors is generally intended to maximize optical efficiency with the goal of providing the highest degree of illumination.

[0031] To provide illumination for decorative or other purposes not involving direct
10 illumination, embodiments of the present invention use TIR and other reflecting optics to divert a portion of the light from its otherwise intended path by modifying the optical design of the TIR and other reflecting optics. A portion of light may be “siphoned off” in a controlled way and by means of reflection and refraction be redirected to create the decorative or other non-
15 direct-illumination function. The redirected light may then be used to achieve the desired shape and color for decorative purposes.

[0032] FIG. 5C illustrates another embodiment of the present invention in which a drive circuit 551 converts the mains voltage into a constant current for a primary illumination source 552 (e.g., one or more LEDs). An optic 553 (which may include or consist essentially of, e.g.,
20 a TIR lens) may be used to direct light generated by the primary illumination source 552. A first portion of light generated by the primary illumination source 552 is guided for direct illumination, and a second portion of light is guided for decorative illumination. The first portion of the light is usually larger (i.e., more intense) than the second portion of the light. The first portion of the light generated by the primary illumination source 552 may be directed
25 by the optic 553 and exit a substantially transparent cover 554 attached to the housing (envelope) 555 to provide direct illumination. The housing 555 may include a shade (which may be substantially translucent) and one or more openings 556 in an optical component 557 (e.g., an optical waveguide that may be completely or partially transparent) through which light may exit as decorative illumination. Other approaches such as diffusion and filtering of the
30 light by the optical component 557 may be employed to further condition the light to meet specific decorative or secondary illumination purposes.

- 11 -

[0033] FIG. 5D illustrates another embodiment of the invention operating via similar principles. One or more light channels 581 may connect a housing 582 to an optical component 583 and be utilized to produce decorative illumination therethrough. The light channels 581 may be, e.g., substantially empty passages through the housing, or they may be partially or substantially filled with an optical waveguide material. A portion of the light generated by a primary illumination source 584 (e.g., one or more LEDs) may be directed through the light channels 581 and exit the housing 582 through complementary openings 585 on the shade of the housing 582.

[0034] It may be appreciated from these descriptions that the LEDs used in these embodiments, though small, occupy considerable space that limits the overall light output of the product. This is due, at least in part, to the need to provide electrical connections to each of the semiconductor light-emitting chips that are housed in large packages that provide both electrical connections and a facility for removing heat and enabling passage of useful light. The packages also often contain a lens or mirror for shaping and directing this light. While these packages allow some freedom of use, they also limit the density and eliminate the ability to integrate the functions of heat dissipation, light direction and electrical connection. Many of these functions may be accommodated within a printed circuit board of appropriate design for a group of devices at the same time and within the circuit as it is formed.

[0035] One way of improving the light density of the overall product is to incorporate the light-emitting dies onto a suitable patterned circuit board that contains the external circuitry needed to power and connect the LED devices without the use of a package. FIG. 6 illustrates such an arrangement. This embodiment includes or consists essentially of a printed circuit board having at least a middle portion 601 that may be the usual fiberglass core or one that contains metals, ceramics or other materials to enhance thermal conductivity, a top metal clad layer 603, and a bottom cladding layer 602. It should be well understood that these top and bottom layers can easily be patterned by such processes as etching. A light-emitting assembly may be attached to the patterned surface of cladding 603 by cementing it with a thermally and electrically conducting compound, by welding it, or using any other suitable attachment technique. The cladding 603 then may act as a thermal or electrical conducting pathway, or both. The light-emitting assembly may include a metal base 604 to which is bonded a semiconductor light-emitting chip 605. This light-emitting chip 605 typically contains a p-n

- 12 -

junction that emits light and conducting top and bottom surface layers for electrical and thermal contact. A conducting wire or tab connects the top conducting member of the junction to the opposite conducting pad on the next assembly, thus building up a circuit that is in series. Using a different connection scheme, but the same general approach, a parallel connection may be assembled. By doing this, a relatively dense build-up of light-emitting chips may be assembled using the thermal and electrical transfer characteristics of the printed circuit board.

Furthermore, heat sinking, cooling or other components may be attached to the board, improving performance, for example on the back side 602 of the printed circuit board.

Although not shown, it should be understood that this connection method may be extended in the two dimensions of the plane of the board.

[0036] Such chips as illustrated in FIG. 6 will generally emit light in all directions. Such a distribution of light may not be desired for many lighting applications. Therefore, a matching array of lenses that is positioned over the light-emitting chips may be utilized. This separation of the top lens array from the LEDs allows the lens array to be positioned independently, so that the light directed by the lens may be moved and/or focused by moving the lens array in three dimensions. The movement may be controlled via, for example, stepper motors or piezoelectric-activated motion controllers whose support electronics are also contained on the printed circuit board. The array of lenses may be molded from a transparent clear or colored material with a variety of spherical or hemi-spherical shapes.

[0037] FIG. 7 illustrates such an arrangement. A PC board 701 containing patterned metal traces 703 has located on its surface light-emitting portions featuring semiconductor light-emitting devices 705 that are mounted on bases 704. These areas are bonded together with electrically conducting wires or strips to form a series/parallel circuit. Positioned over the top of these light-emitting regions is a lens array 710 into which has been formed (by a method such molding) a matching series of optical elements. Three such elements of two different shapes labeled 711 and 712 are shown. This lens array 710 is spaced apart from the semiconductor array and mounted to facilitate external manipulation in one or more of three dimensions as shown by the opposing pairs of arrows. Hence, by moving the lens array 710, the light emitted from the matching LED array may be directed and focused as required, in essence steering the light beam. This may be controlled by onboard electronics, and via remote control or such other means as required such as proximity sensors, timers and the like.

[0038] These lighting products generally require a source of AC or DC current. Although LEDs utilize direct current, it is possible to use the LEDs to rectify AC power provided the number of LEDs is chosen to match the AC voltage. It is well understood how to transform AC power to DC. The use of DC power as supplied by batteries, however, may present some problems because as the battery voltage declines under load, the current drawn by the LEDs rapidly declines, owing to the extremely non-linear current-voltage characteristics of the diodes. Since the light output of a LED is typically directly proportional to current (at least in some regimes), this means the light output rapidly declines. On the other hand, if battery voltage exceeds a predetermined level, heating of the semiconductor junction of the LED is excessive and may destroy the device. Moreover, excess heat in the LED junction may cause a condition called thermal runaway, in which the heat raises the current drawn at a given voltage, leading to further heating, which in turn leads to greater current draw and quickly destroys the device. This may be a particular problem with high-power LEDs and requires careful thermal management.

[0039] In order to help avoid this problem it may be useful to fix the current through the LEDs rather than the voltage. Using a battery as the source of current, however, presents a problem because of the differing voltage and current behavior of the battery power source and the LED load. Therefore, a circuit may be utilized to regulate and fix the current independent of the voltage supplied by the battery. In the case where the battery voltage is less than the load voltage required by the series and/or parallel LED circuit, a boost circuit as shown in FIGS. 8(a) and 8(b) may be employed. In these circuits an integrated circuit device, IC1 801, is used to control the charging and discharging of an inductor L1 803. This integrated circuit may be any of several that are available such as the Texas Instruments TPS61040. After a charging cycle, the IC switches the circuit so that the inductor L1 803 is permitted to discharge through the load, which in this case is the light-emitting diodes 805. The current is controlled via a feedback resistor R1 806. The value of the resistor is chosen to fix the maximum current that is permitted to flow through the load, which in this case, is one or more LEDs (LED1, LED2) indicated at 805. This manner of control occurs because the voltage drop across R1 806 is compared to an internally generated reference voltage at pin FB of IC1 801. When the two voltages are equal the current is considered fixed and will be held to that predetermined value. A diode D3 802 is used to ensure protection of the IC1 801 in case the battery source (not shown) is connected backwards. The diode 804 allows current flow through the LEDs 805 in

- 14 -

only the forward, or light-emitting direction. In embodiments of this invention, such a circuit may be enclosed within the envelope of the bulb.

[0040] The circuit shown in FIG. 8(b) differs from that of FIG. 8(a) in that the former contains an easy and inexpensive means of protecting the LEDs from excessive current flow and the runaway that results from high temperatures. In this circuit a resistor with a positive
5 resistance rate of change with temperature, R2 807 is placed in series with a fixed resistor. Resistor R2 is physically located on the circuit board so as to be in the thermal pathway of heat emanating from the LEDs 805. Therefore, when the temperature of the LEDs 805 increases, the resistance of R2 807 also increases, and its resistance is added to that of R1 806. Since the
10 voltage drop across these combined resistances appears on the feedback pin FB of IC1 801, the increased voltage is interpreted as a request for decreased current. Hence, the natural tendency of the LEDs 805 to draw more current, which would ordinarily lead to the failure of the part, is averted by introducing a self-limiting control function.

[0041] This circuit has the advantage of being very efficient and compact and having built
15 into it a temperature regulation that allows the resulting system to automatically adapt to the thermal environment in which it is placed. Because of these attributes, it may, for example be put into a miniature lamp base of the kind used for flashlights (e.g., a PR-type flange base).

[0042] However, one possible limitation of the circuit is that it may only boost voltage from a lower value to a higher value required by the LED load. Therefore, in situations where
20 only one LED is required, but a higher input voltage is all that is available, the excess voltage will generally appear across the LED even if one of the circuits in FIG. 8 are used. This may cause an excessive current to be drawn, leading to premature failure of the LED and/or premature draining of the battery. To solve this problem, embodiments of the invention feature a circuit that is preferably still compact enough to fit into a bulb or bulb base, and that is
25 capable of either raising or lowering the output voltage above or below the voltage of the incoming battery or other DC supply in order to maintain the desired current through the LED load. The circuit will either boost the voltage if the input voltage is lower than required by the LED or reduce the voltage if it is higher than that required to sustain the necessary constant current through the LED. It is understood that references to an LED connote one or more
30 LEDs in a series, parallel or series/parallel circuit. Furthermore, because of the deleterious effects of temperature, this circuit typically has the ability to regulate the current through the

- 15 -

LED depending on the ambient temperature. The ambient temperature may be determined by the environment as well as heat dissipated by the circuit and the LED.

[0043] Such a circuit is depicted in FIG. 9. This circuit utilizes a so-called Cuk converter that is ordinarily used as an inverting-switching voltage regulator. Such a device inverts the polarity of the source voltage and regulates the output voltage depending on the values of a resistor bridge. In the illustrated embodiment, the inverter circuit has been altered so that it acts to boost the voltage output or buck the voltage input in order to maintain a constant current through the load represented by one or more LEDs 905. The circuit incorporates an integrated circuit IC1 901 such as the National Semiconductor LM2611 Cuk Converter or equivalent. In this circuit, the internal transistor of IC1 is closed during the first cycle charging the inductor L1 902 from the battery source indicated as Vbat. At the same time the capacitor C2 904 charges inductor L2 903, while the output current to the LEDs 905 is supplied by inductor L2 903. In the next cycle the IC1 901 changes state to permit the inductor L1 902 to charge capacitor C2 904 and L2 903 to discharge through the LEDs 905. The control of the charging power and current through the load is performed by the resistor network including or consisting essentially of R2 906a and R3 907a. The overall value of these resistors together with the current passing through the LEDs 905 from ground, sets a voltage that appears on the feedback pin (FB) of IC1 901. Resistor 907a has a positive temperature coefficient so that its resistance increases with temperature.

[0044] The current may also be altered to accommodate thermal effects such as heat dissipation by the LEDs, heat produced by the IC1 or other circuit components and/or the ambient environmental conditions. This is effected by a temperature-dependent resistor R3. In FIG. 9(a), resistor R3 907a has a positive temperature coefficient in which the resistance increases with temperature. The additive effect of the series circuit with R2 906a means that as temperature rises, the overall resistance of the combination does also, leading to an increase in voltage drop. This in turn causes IC1 to decrease the output current to the LEDs 905. In FIG. 9(b) the resistor network includes resistors in parallel and series. In this instance, resistors R2 and R4 906b, 908 are fixed and resistor R3 907b is temperature-dependent with a positive temperature coefficient. The use of a parallel arrangement allows a greater freedom of choice of temperature dependence than a simple series arrangement.

- 16 -

[0045] The terms and expressions employed herein are used as terms and expressions of description and not of limitation, and there is no intention, in the use of such terms and expressions, of excluding any equivalents of the features shown and described or portions thereof. In addition, having described certain embodiments of the invention, it will be apparent
5 to those of ordinary skill in the art that other embodiments incorporating the concepts disclosed herein may be used without departing from the spirit and scope of the invention. Accordingly, the described embodiments are to be considered in all respects as only illustrative and not restrictive.

[0046] What is claimed is:

- 17 -

Claims

- 1 1. An illumination device comprising:
2 a housing;
3 a power connector for connecting the illumination device to a power socket and
4 receiving an input power;
5 a light emitter for direct illumination disposed within the housing;
6 a circuit for regulating the input power and providing the regulated power to the light
7 emitter; and
8 a decorative illumination element.
- 1 2. The illumination device of claim 1, wherein the decorative illumination element is
2 disposed within the housing.
- 1 3. The illumination device of claim 1, wherein the decorative illumination element
2 comprises a secondary light emitter for providing decorative illumination distinct from the
3 direct illumination.
- 1 4. The illumination device of claim 3, wherein the decorative illumination and the direct
2 illumination are distinct in terms of an illumination direction.
- 1 5. The illumination device of claim 3, wherein the decorative illumination and the direct
2 illumination are distinct in terms of an illumination color.
- 1 6. The illumination device of claim 3, wherein the decorative illumination and the direct
2 illumination are distinct in terms of an illumination intensity.
- 1 7. The illumination device of claim 3, further comprising an optical component for
2 guiding light generated from the secondary light emitter along a length of the optical
3 component to provide the decorative illumination.
- 1 8. The illumination device of claim 3, further comprising a secondary circuit for regulating
2 the input power and providing a regulated power to the secondary light emitter.

- 1 9. The illumination device of claim 8, wherein the secondary circuit controls at least one
2 of an intensity or a color of the secondary light emitter.
- 1 10. The illumination device of claim 8, further comprising a circuit to respond to wireless
2 commands for controlling the secondary light emitter.
- 1 11. The illumination device of claim 1, further comprising an optical component for
2 directing light generated by the light emitter in an illumination direction.
- 1 12. The illumination device of claim 11, wherein the optical component is a total internal
2 reflector.
- 1 13. The illumination device of claim 1, further comprising a heat sink thermally connected
2 to the light emitter for regulating a temperature of the light emitter.
- 1 14. The illumination device of claim 1, further comprising an optical component for
2 directing a first portion of light generated by the light emitter for the direct illumination.
- 1 15. The illumination device of claim 14, wherein the first portion of light is more intense
2 than a second portion of light not directed by the optical component.
- 1 16. The illumination device of claim 15, further comprising a secondary optical component
2 for guiding the second portion of light to provide the decorative illumination.
- 1 17. The illumination device of claim 15, wherein the housing comprises a substantially
2 translucent shade, the decorative illumination element providing illumination through the
3 shade.
- 1 18. The illumination device of claim 17, wherein the shade contains openings through
2 which the second portion of light exits the housing for providing the decorative illumination.
- 1 19. The illumination device of claim 14, further comprising a plurality of light channels
2 connecting the housing to the optical component to provide the decorative illumination.
- 1 20. A method of using an illumination device to provide a decorative illumination
2 characteristic, comprising:
3 providing direct illumination from a light emitter disposed within a housing; and
4 providing decorative illumination distinct from the direct illumination.

- 19 -

1 21. The method of claim 20, wherein providing the direct illumination comprises emitting
2 light, generated from the light emitter, through (i) an optical element within the housing and (ii)
3 a substantially transparent cover attached to the housing.

1 22. The method of claim 20, wherein providing the decorative illumination comprises
2 directing emitted light generated by the light emitter.

1 23. The method of claim 22, wherein the emitted light for the decorative illumination is
2 guided by an optical component.

1 24. The method of claim 22, wherein the emitted light for the decorative illumination is
2 directed through (i) an optical element within the housing and (ii) a substantially translucent
3 shade of the housing.

1 25. The method of claim 20, wherein providing the decorative illumination comprises
2 emitting light generated from a secondary light emitter different from the light emitter.

1 26. The method of claim 25, wherein the emitted light for the decorative illumination is
2 guided by an optical component.

1 27. The method of claim 25, wherein at least one of an intensity or a color of the emitted
2 light generated from the second light emitter is controlled by a circuit.

1 28. The method of claim 25, wherein the secondary light emitter is responsive to wireless
2 commands.

1 29. The method of claim 20, wherein the decorative illumination is distinct from the direct
2 illumination in terms of at least one of emission direction, color, or intensity.

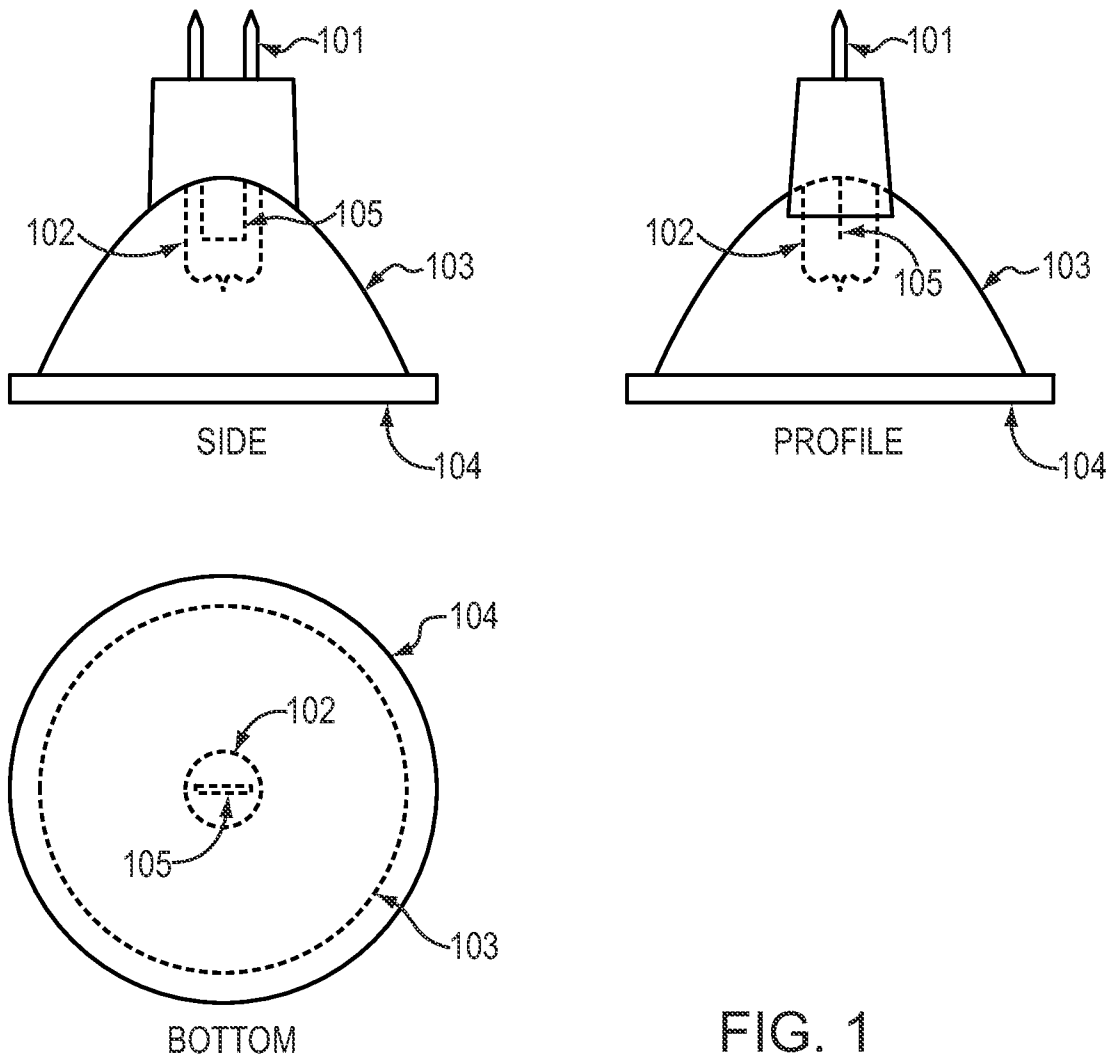


FIG. 1
(PRIOR ART)

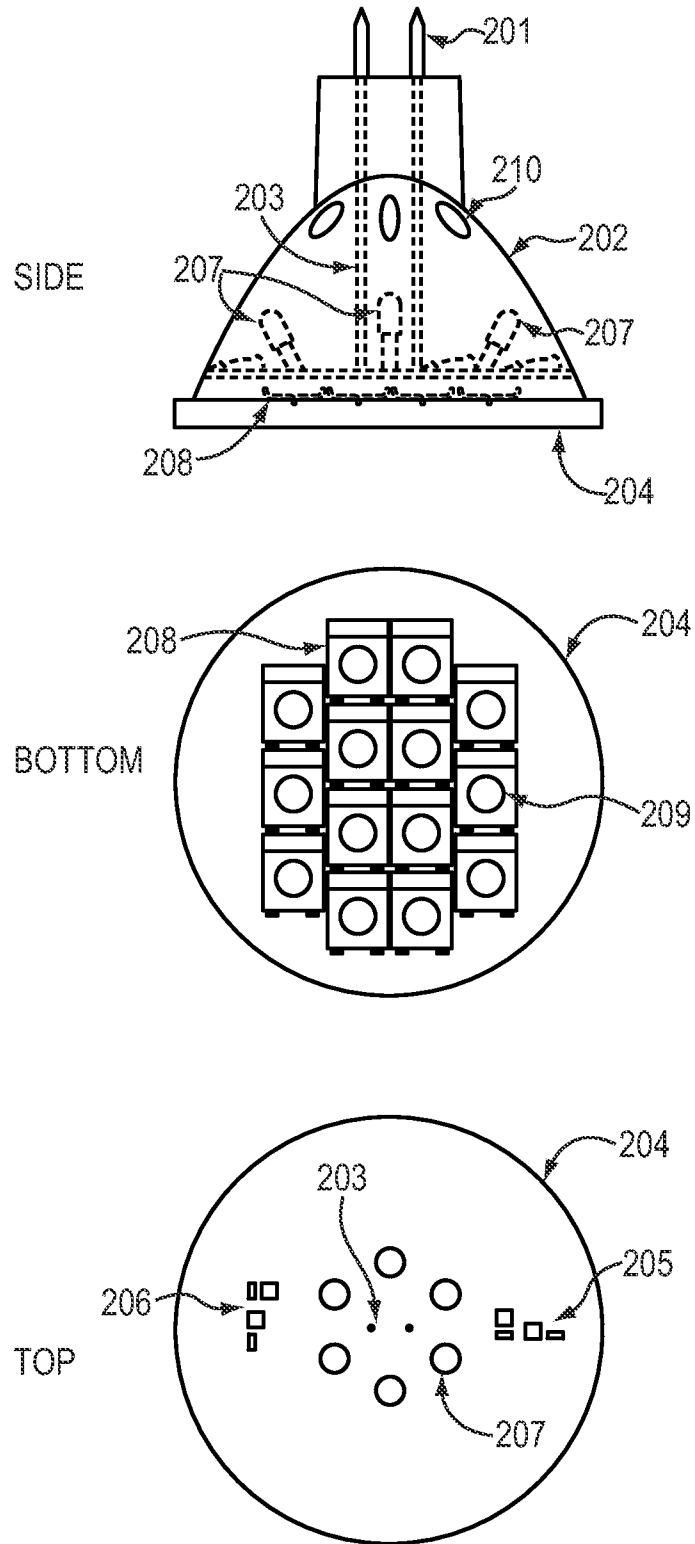


FIG. 2

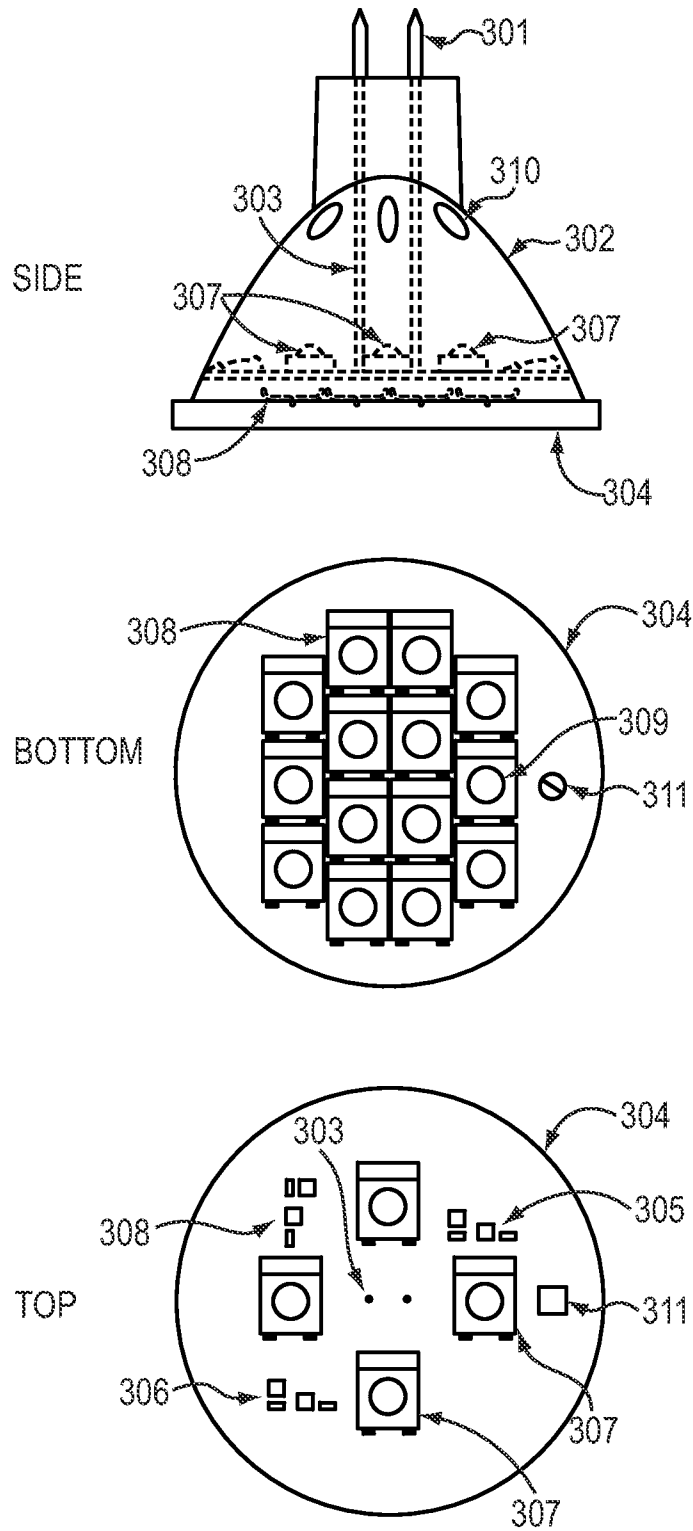


FIG. 3

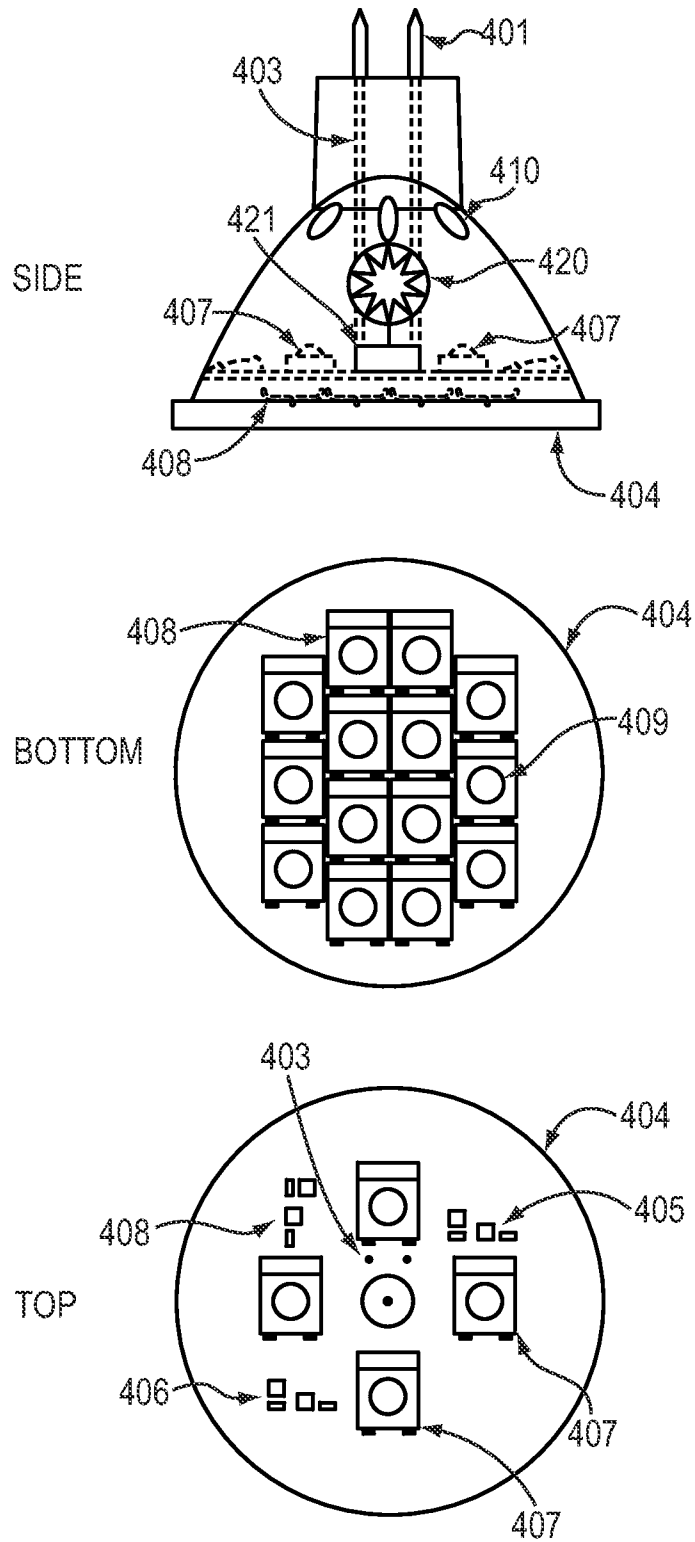


FIG. 4

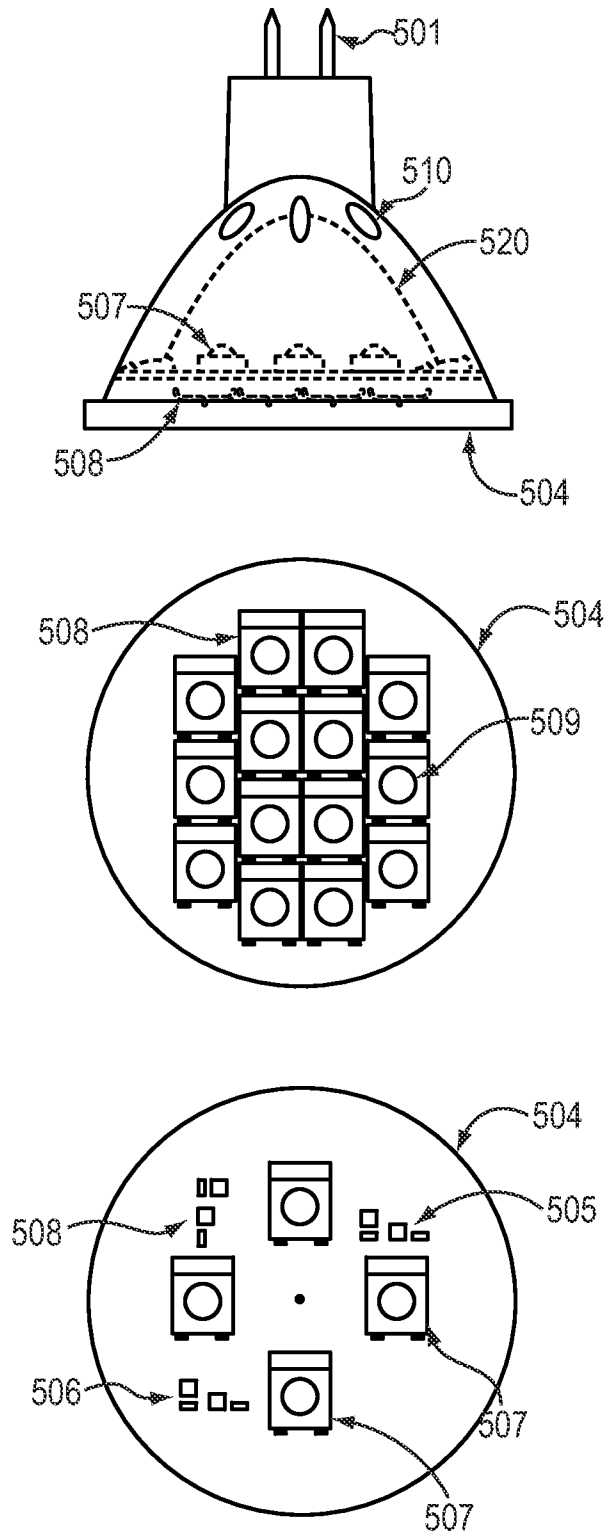


FIG. 5A

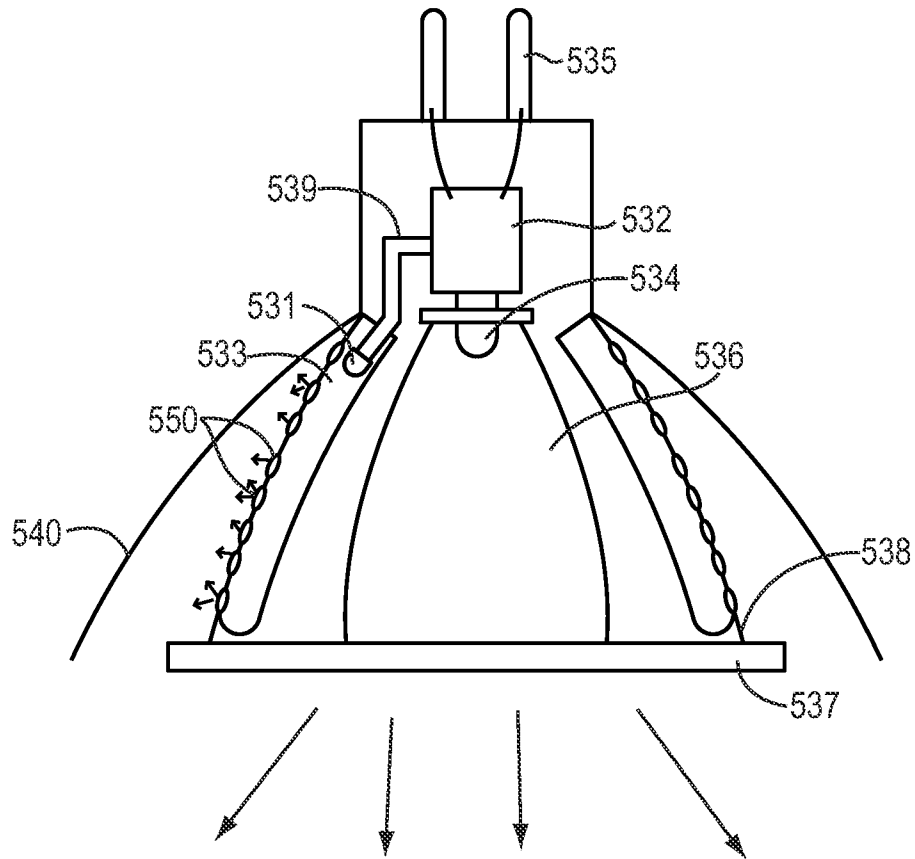


FIG. 5B

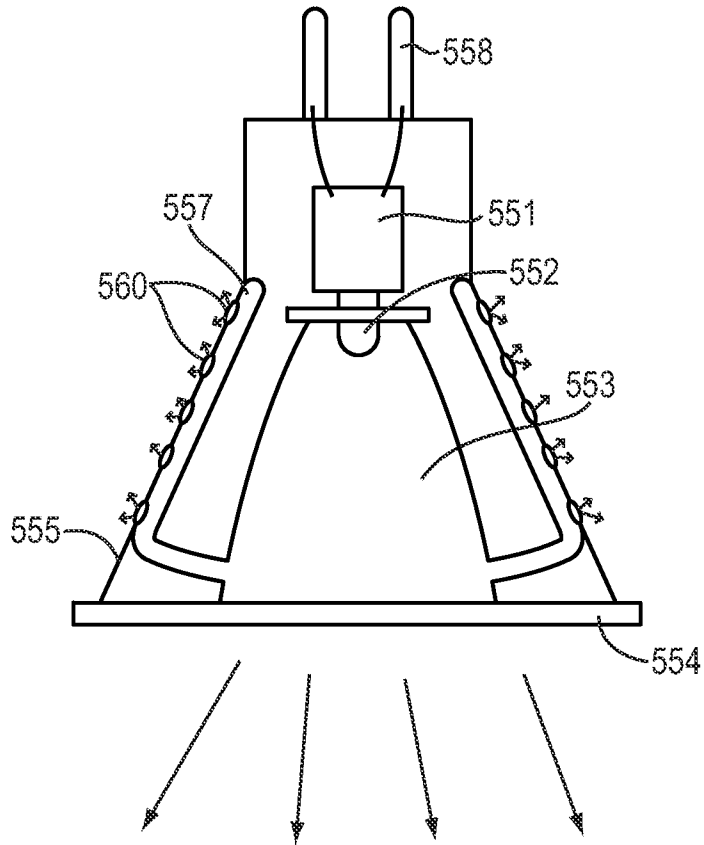


FIG. 5C

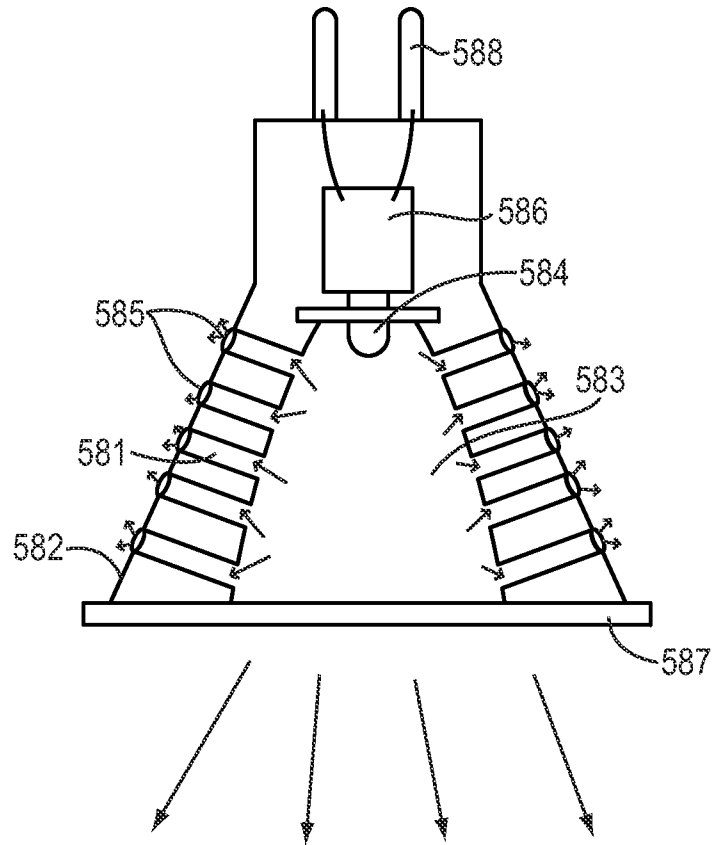


FIG. 5D

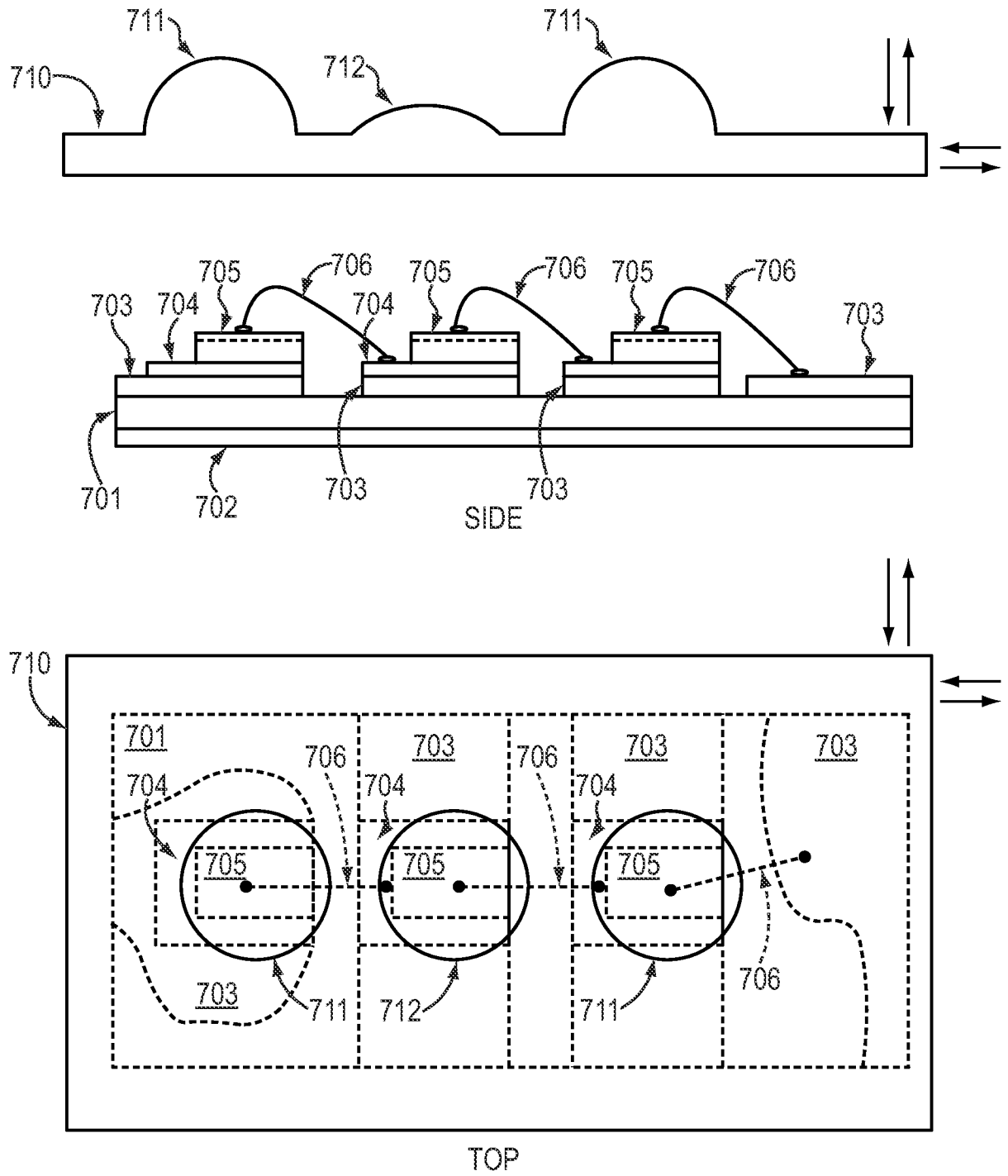


FIG. 7

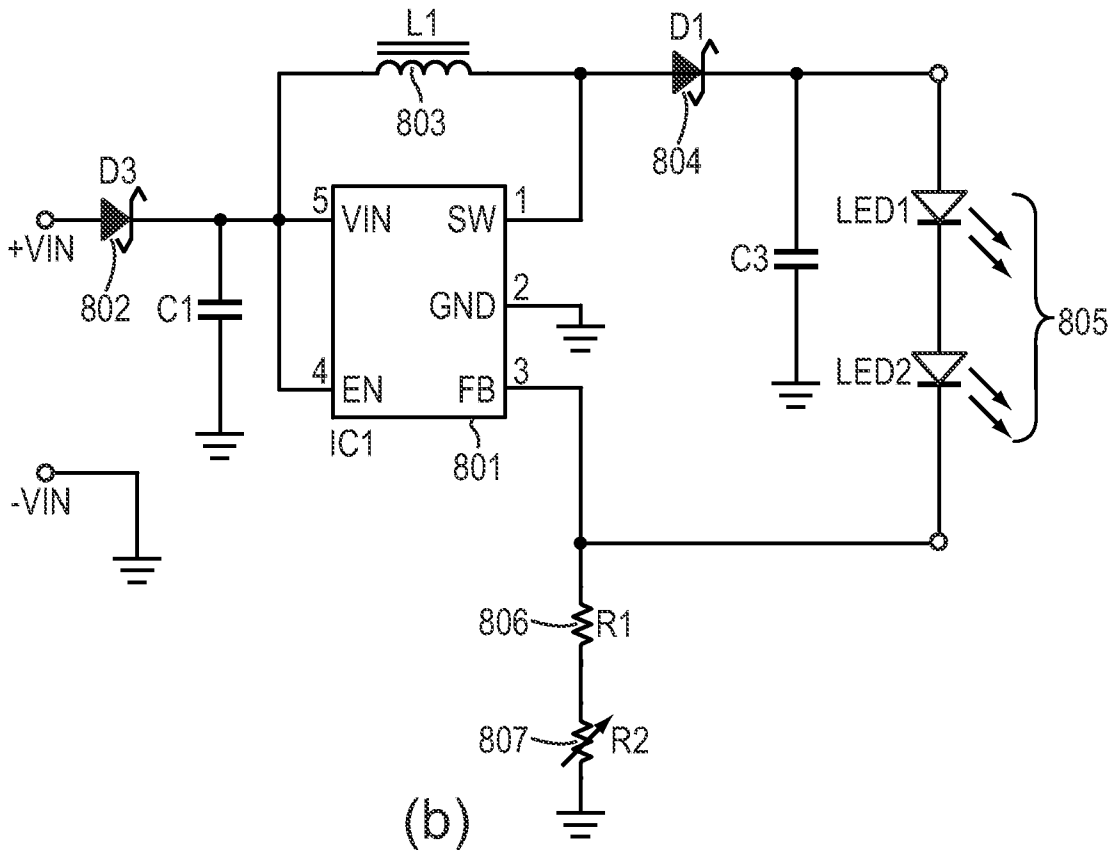
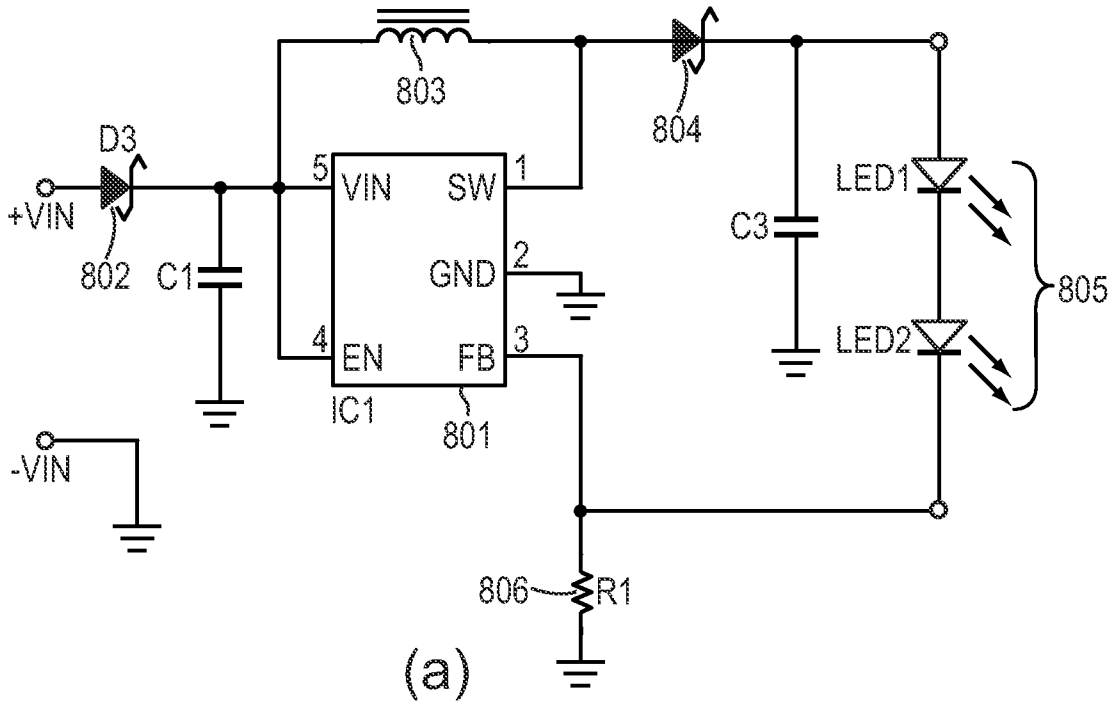


FIG. 8

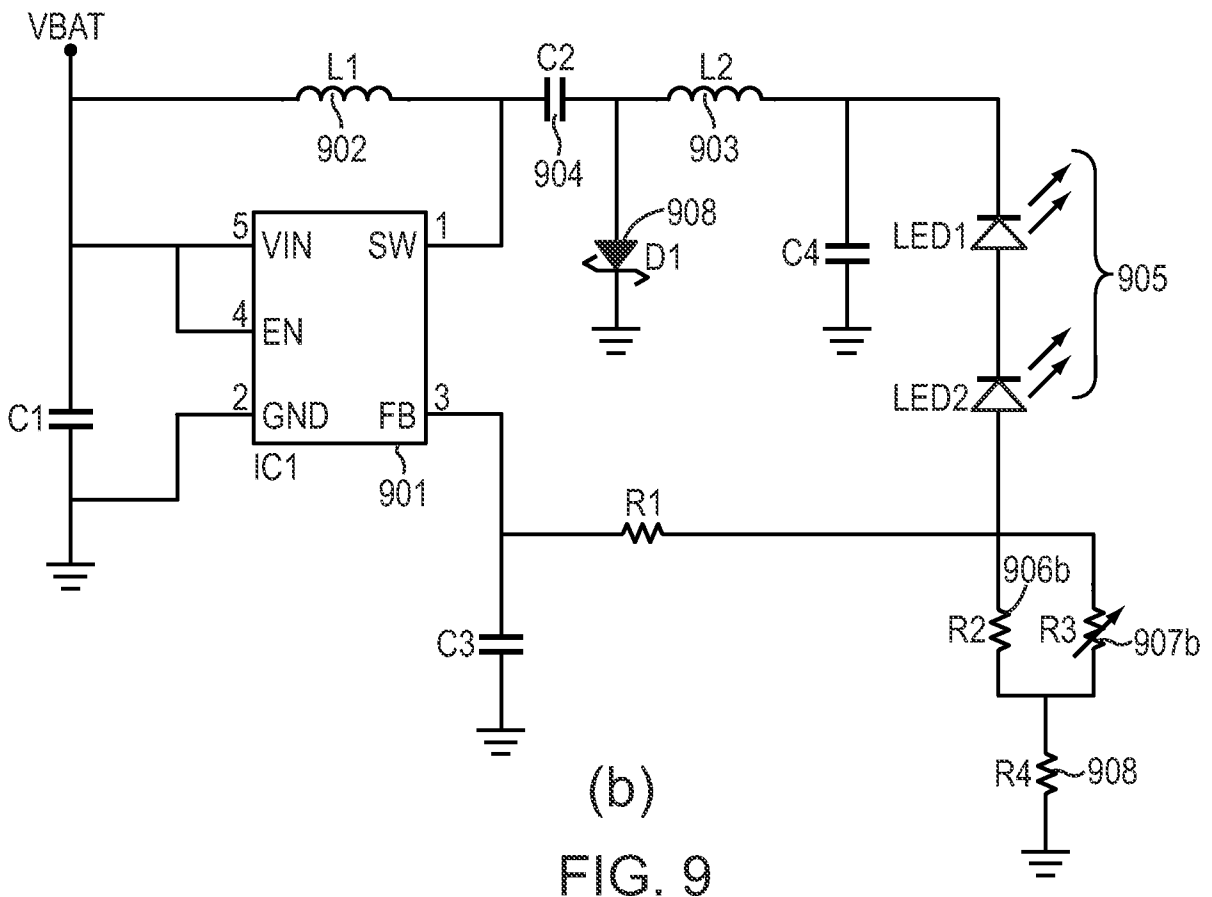
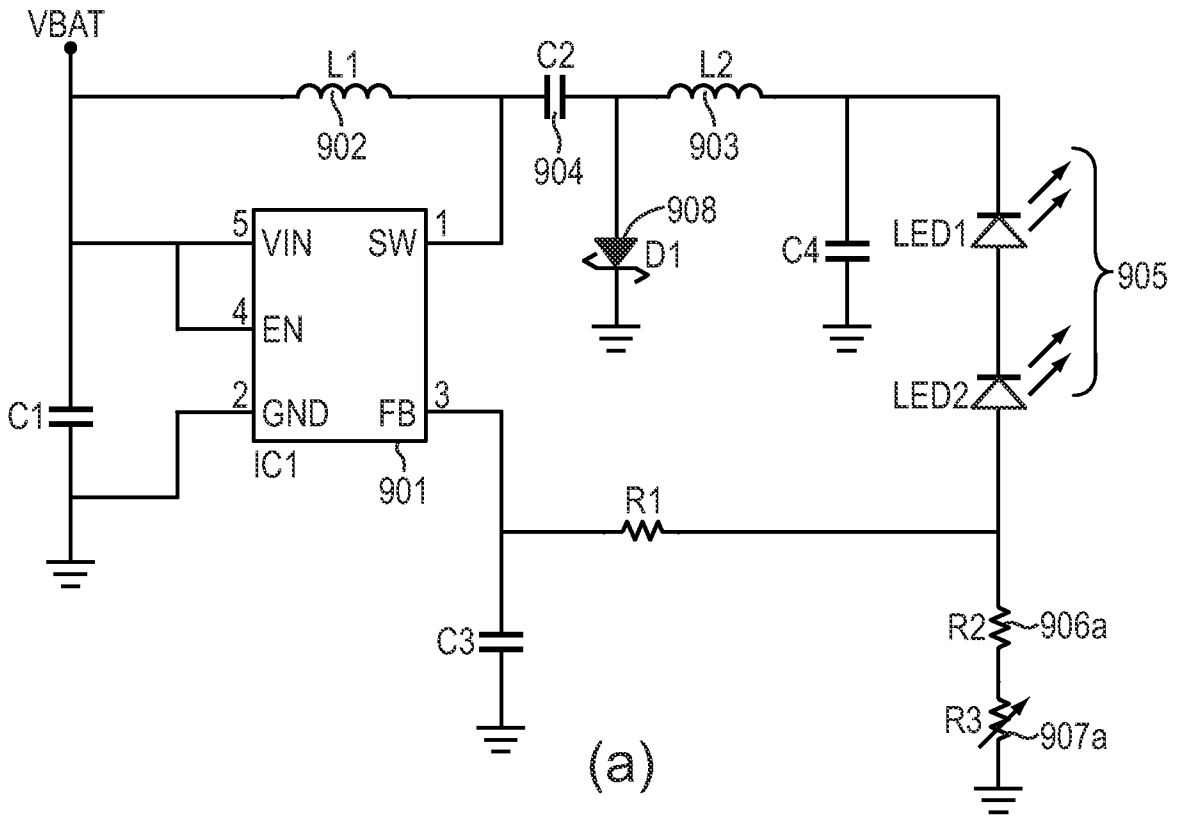


FIG. 9

INTERNATIONAL SEARCH REPORT

International application No
PCT/US2012/028990

A. CLASSIFICATION OF SUBJECT MATTER INV. F21V29/00 ADD.		
According to International Patent Classification (IPC) or to both national classification and IPC		
B. FIELDS SEARCHED		
Minimum documentation searched (classification system followed by classification symbols) F21V F21K		
Documentation searched other than minimum documentation to the extent that such documents are included in the fields searched		
Electronic data base consulted during the international search (name of data base and, where practicable, search terms used) EPO-Internal, WPI Data, INSPEC		
C. DOCUMENTS CONSIDERED TO BE RELEVANT		
Category*	Citation of document, with indication, where appropriate, of the relevant passages	Relevant to claim No.
X	US 2008/130288 A1 (CATALANO ANTHONY [US] ET AL) 5 June 2008 (2008-06-05) paragraph [0018] - paragraph [0022]; figures 2, 9 paragraph [0025] paragraph [0059]; figure 4 paragraph [0060]; figure 5 -----	1-29
A	EP 1 081 771 A2 (HEWLETT PACKARD CO [US] PHILIPS LUMILEDS LIGHTING CO [US]) 7 March 2001 (2001-03-07) abstract; claims 1-13 -----	1-29
<input type="checkbox"/> Further documents are listed in the continuation of Box C. <input checked="" type="checkbox"/> See patent family annex.		
* Special categories of cited documents :		
"A" document defining the general state of the art which is not considered to be of particular relevance "E" earlier application or patent but published on or after the international filing date "L" document which may throw doubts on priority claim(s) or which is cited to establish the publication date of another citation or other special reason (as specified) "O" document referring to an oral disclosure, use, exhibition or other means "P" document published prior to the international filing date but later than the priority date claimed		"T" later document published after the international filing date or priority date and not in conflict with the application but cited to understand the principle or theory underlying the invention "X" document of particular relevance; the claimed invention cannot be considered novel or cannot be considered to involve an inventive step when the document is taken alone "Y" document of particular relevance; the claimed invention cannot be considered to involve an inventive step when the document is combined with one or more other such documents, such combination being obvious to a person skilled in the art "&" document member of the same patent family
Date of the actual completion of the international search 30 August 2012		Date of mailing of the international search report 06/09/2012
Name and mailing address of the ISA/ European Patent Office, P.B. 5818 Patentlaan 2 NL - 2280 HV Rijswijk Tel. (+31-70) 340-2040, Fax: (+31-70) 340-3016		Authorized officer Hulne, Serge

INTERNATIONAL SEARCH REPORT

Information on patent family members

International application No

PCT/US2012/028990

Patent document cited in search report	Publication date	Patent family member(s)	Publication date	
US 2008130288	A1	05-06-2008	US 2008130288 A1	05-06-2008
			US 2010320499 A1	23-12-2010

EP 1081771	A2	07-03-2001	EP 1081771 A2	07-03-2001
			JP 2001111117 A	20-04-2001
			JP 2011181510 A	15-09-2011
			US 6504301 B1	07-01-2003
