

(19) World Intellectual Property Organization
International Bureau



(43) International Publication Date
10 December 2009 (10.12.2009)

(10) International Publication Number
WO 2009/148673 A3

- (51) International Patent Classification:
F25D 19/00 (2006.01)
- (21) International Application Number:
PCT/US2009/036760
- (22) International Filing Date:
11 March 2009 (11.03.2009)
- (25) Filing Language: English
- (26) Publication Language: English
- (30) Priority Data:
12/045,973 11 March 2008 (11.03.2008) US
- (71) Applicant (for all designated States except US): **AMERICAN SUPERCONDUCTOR CORPORATION** [US/US]; 64 Jackson Road, Devens, Massachusetts 01432 (US).
- (72) Inventor; and
- (75) Inventor/Applicant (for US only): **WINN, Peter** [US/US]; 36 Toblin Hill Drive, Shrewsbury, Massachusetts 01545 (US).
- (74) Agent: **OCCHIUTI, Frank**; Occhiuti Rohlicek & Tsao LLP, 10 Fawcett Street, Cambridge, Massachusetts 02138 (US).
- (81) Designated States (unless otherwise indicated, for every kind of national protection available): AE, AG, AL, AM,

AO, AT, AU, AZ, BA, BB, BG, BH, BR, BW, BY, BZ, CA, CH, CN, CO, CR, CU, CZ, DE, DK, DM, DO, DZ, EC, EE, EG, ES, FI, GB, GD, GE, GH, GM, GT, HN, HR, HU, ID, IL, IN, IS, JP, KE, KG, KM, KN, KP, KR, KZ, LA, LC, LK, LR, LS, LT, LU, LY, MA, MD, ME, MG, MN, MW, MX, MY, MZ, NA, NG, NI, NO, NZ, OM, PG, PH, PL, PT, RO, RS, RU, SC, SD, SE, SG, SK, SL, SM, ST, SV, SY, TJ, TM, TN, TR, TT, TZ, UA, UG, US, UZ, VC, VN, ZA, ZM, ZW.

(84) Designated States (unless otherwise indicated, for every kind of regional protection available): ARIPO (BW, GH, GM, KE, LS, MW, MZ, NA, SD, SL, SZ, TZ, UG, ZM, ZW), Eurasian (AM, AZ, BY, KG, KZ, MD, RU, TJ, TM), European (AT, BE, BG, CH, CY, CZ, DE, DK, EE, ES, FI, FR, GB, GR, HR, HU, IE, IS, IT, LT, LU, LV, MC, MK, MT, NL, NO, PL, PT, RO, SE, SI, SK, TR), OAPI (BF, BJ, CF, CG, CI, CM, GA, GN, GQ, GW, ML, MR, NE, SN, TD, TG).

Published:

- with international search report (Art. 21(3))
- before the expiration of the time limit for amending the claims and to be republished in the event of receipt of amendments (Rule 48.2(h))

(88) Date of publication of the international search report:
26 August 2010

(54) Title: COOLING SYSTEM IN A ROTATING REFERENCE FRAME

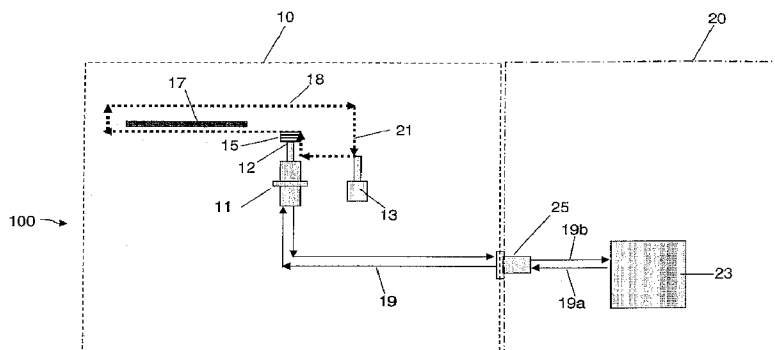


FIG. 1

(57) Abstract: A cryogenic cooling system (100) for cooling a thermal load disposed in a rotating reference frame (10). The cryogenic cooling system includes a cryocooler (11) disposed in the rotating reference frame, the cryocooler including a cold head (12) for cooling the thermal load (17), and a circulator (13) disposed in the rotating reference frame and connected to the cryocooler, the circulator circulating a coolant to and from the thermal load.

WO 2009/148673 A3

INTERNATIONAL SEARCH REPORT

International application No

PCT/US2009/036760

A. CLASSIFICATION OF SUBJECT MATTER
 INV. F25D19/00
 ADD.

According to International Patent Classification (IPC) or to both national classification and IPC

B. FIELDS SEARCHED

Minimum documentation searched (classification system followed by classification symbols)
 F25D F25B H01F H02K

Documentation searched other than minimum documentation to the extent that such documents are included in the fields searched

Electronic data base consulted during the international search (name of data base and, where practical, search terms used)

EPO-Internal

C. DOCUMENTS CONSIDERED TO BE RELEVANT

Category*	Citation of document, with indication, where appropriate, of the relevant passages	Relevant to claim No.
A	DE 199 38 985 A1 (SIEMENS AG [DE]) 8 March 2001 (2001-03-08) the whole document	1
A	US 5 482 919 A (JOSHI CHANDRASHEKHAR H [US]) 9 January 1996 (1996-01-09) cited in the application the whole document	1, 12, 23



Further documents are listed in the continuation of Box C.



See patent family annex.

* Special categories of cited documents :

- *A* document defining the general state of the art which is not considered to be of particular relevance
- *E* earlier document but published on or after the international filing date
- *L* document which may throw doubts on priority claim(s) or which is cited to establish the publication date of another citation or other special reason (as specified)
- *O* document referring to an oral disclosure, use, exhibition or other means
- *P* document published prior to the international filing date but later than the priority date claimed

- *T* later document published after the international filing date or priority date and not in conflict with the application but cited to understand the principle or theory underlying the invention
- *X* document of particular relevance; the claimed invention cannot be considered novel or cannot be considered to involve an inventive step when the document is taken alone
- *Y* document of particular relevance; the claimed invention cannot be considered to involve an inventive step when the document is combined with one or more other such documents, such combination being obvious to a person skilled in the art.
- *&* document member of the same patent family

Date of the actual completion of the international search

28 June 2010

Date of mailing of the international search report

08/07/2010

Name and mailing address of the ISA/

European Patent Office, P.B. 5818 Patentlaan 2
 NL - 2280 HV Rijswijk
 Tel. (+31-70) 340-2040,
 Fax: (+31-70) 340-3016

Authorized officer

Jessen, Flemming

INTERNATIONAL SEARCH REPORT

Information on patent family members

International application No

PCT/US2009/036760

Patent document cited in search report	Publication date	Publication date	Patent family member(s)	Publication date
DE 19938985	A1	08-03-2001	NONE	
<hr/>				
US 5482919	A	09-01-1996	AT 166190 T	15-05-1998
			CA 2171089 A1	23-03-1995
			DE 69410281 D1	18-06-1998
			DE 69410281 T2	07-01-1999
			EP 0719471 A1	03-07-1996
			JP 9502859 T	18-03-1997
			JP 3515118 B2	05-04-2004
			WO 9508211 A1	23-03-1995
<hr/>				