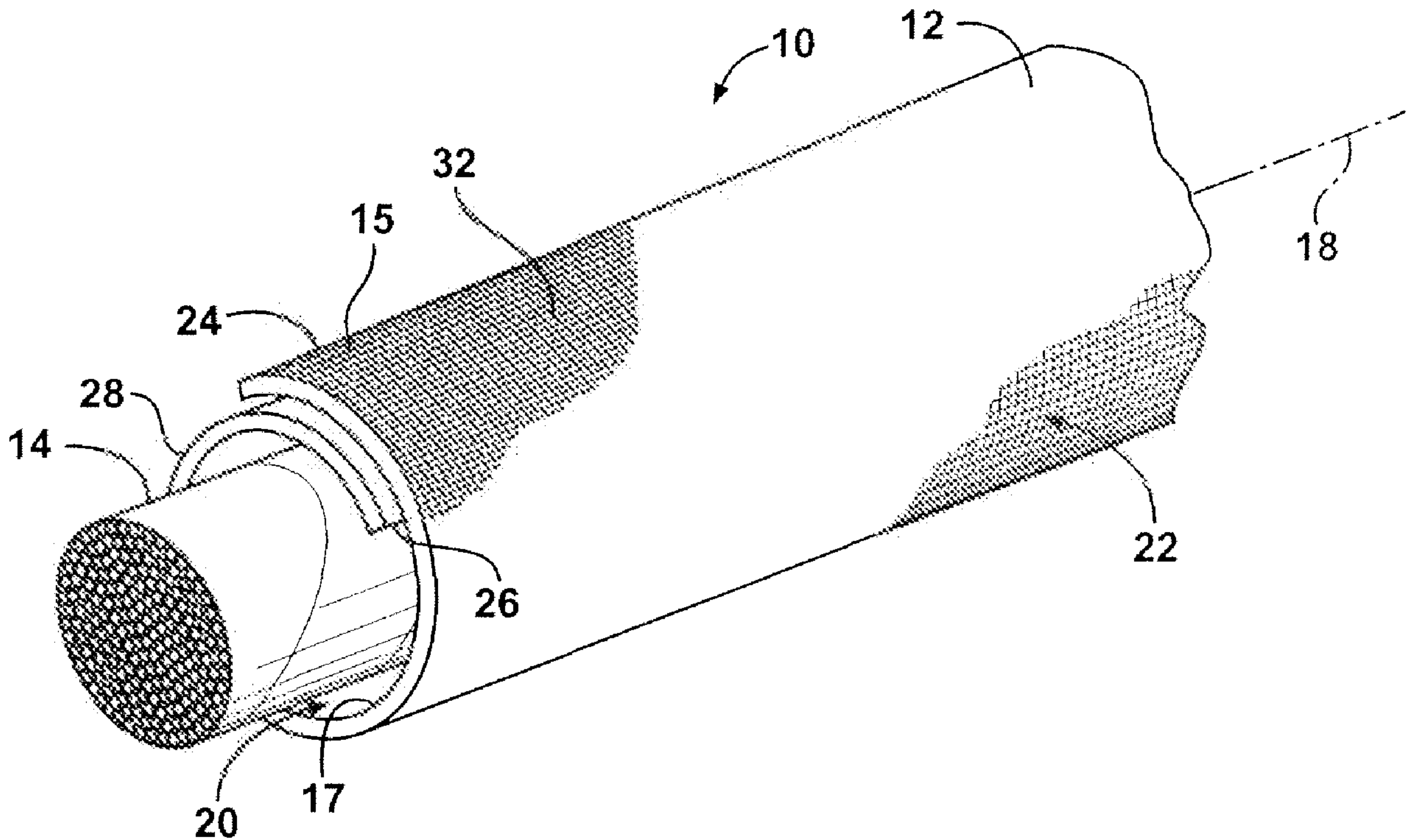




(86) **Date de dépôt PCT/PCT Filing Date:** 2009/09/04  
 (87) **Date publication PCT/PCT Publication Date:** 2010/03/11  
 (45) **Date de délivrance/Issue Date:** 2017/06/20  
 (85) **Entrée phase nationale/National Entry:** 2011/02/22  
 (86) **N° demande PCT/PCT Application No.:** US 2009/055969  
 (87) **N° publication PCT/PCT Publication No.:** 2010/028201  
 (30) **Priorités/Priorities:** 2008/09/05 (US61/094,557);  
 2009/09/03 (US12,553,231)

(51) **Cl.Int./Int.Cl. D07B 1/16** (2006.01),  
**D07B 1/04** (2006.01)  
 (72) **Inventeurs/Inventors:**  
 MALLOY, CASSIE, US;  
 AVULA, RAMESH R., US  
 (73) **Propriétaire/Owner:**  
 FEDERAL-MOGUL POWERTRAIN, INC., US  
 (74) **Agent:** GOWLING WLG (CANADA) LLP

(54) **Titre : MANCHON TEXTILE A ENROULEMENT AUTOMATIQUE A REVETEMENT PROTECTEUR ET SON PROCEDE DE CONSTRUCTION**  
 (54) **Title: SELF-WRAPPING TEXTILE SLEEVE WITH PROTECTIVE COATING AND METHOD OF CONSTRUCTION THEREOF**



(57) **Abrégé/Abstract:**

A self-wrapping, textile sleeve for routing and protecting elongate members from exposure to abrasion, thermal and other environmental conditions and method on construction thereof. The sleeve has an elongate wall constructed from inter-laced yarns having interstices between adjacent yarns. At least one of the yarns is heat formed at one temperature to form the wall as a self-wrapping wall curling about a longitudinal axis of the sleeve. The wall has an inner surface providing a generally tubular cavity in which the elongate members are received. The wall also has an outer surface with a cured layer thereon. The cured layer is cured at the one temperature at which the yarns are heat formed into their self-wrapping configuration, wherein the cured layer fills the interstices between adjunct yarns to form an impervious layer on the wall.

## (12) INTERNATIONAL APPLICATION PUBLISHED UNDER THE PATENT COOPERATION TREATY (PCT)

(19) World Intellectual Property Organization  
International Bureau(43) International Publication Date  
11 March 2010 (11.03.2010)(10) International Publication Number  
**WO 2010/028201 A3**

## (51) International Patent Classification:

*D07B 1/16* (2006.01)      *D07B 1/04* (2006.01)

## (21) International Application Number:

PCT/US2009/055969

## (22) International Filing Date:

4 September 2009 (04.09.2009)

## (25) Filing Language:

English

## (26) Publication Language:

English

## (30) Priority Data:

61/094,557    5 September 2008 (05.09.2008)    US  
12,553,231    3 September 2009 (03.09.2009)    US(71) Applicant (for all designated States except US): **FEDERAL-MOGUL POWERTRAIN INC.** [US/US]; 26555 Northwestern Highway, Southfield, MI 48033 (US).

## (72) Inventors; and

(75) Inventors/Applicants (for US only): **MALLOY, Cassie** [US/US]; 1201 Whitpain Hills, Bluebell, PA 19422 (US).  
**AVULA, Ramesh, R.** [IN/US]; 1412 Continental Circle, Phoenixville, PA 19460 (US).(74) Agents: **ARTZ, John, A.** et al.; Dickinson Wright Pllc, 38525 Woodward Avenue, Suite 2000, Bloomfield Hills, MI 48304-5092 (US).

(81) Designated States (unless otherwise indicated, for every kind of national protection available): AE, AG, AL, AM,

AO, AT, AU, AZ, BA, BB, BG, BH, BR, BW, BY, BZ, CA, CH, CL, CN, CO, CR, CU, CZ, DE, DK, DM, DO, DZ, EC, EE, EG, ES, FI, GB, GD, GE, GH, GM, GT, HN, HR, HU, ID, IL, IN, IS, JP, KE, KG, KM, KN, KP, KR, KZ, LA, LC, LK, LR, LS, LT, LU, LY, MA, MD, ME, MG, MK, MN, MW, MX, MY, MZ, NA, NG, NI, NO, NZ, OM, PE, PG, PH, PL, PT, RO, RS, RU, SC, SD, SE, SG, SK, SL, SM, ST, SV, SY, TJ, TM, TN, TR, TT, TZ, UA, UG, US, UZ, VC, VN, ZA, ZM, ZW.

(84) Designated States (unless otherwise indicated, for every kind of regional protection available): ARIPO (BW, GH, GM, KE, LS, MW, MZ, NA, SD, SL, SZ, TZ, UG, ZM, ZW), Eurasian (AM, AZ, BY, KG, KZ, MD, RU, TJ, TM), European (AT, BE, BG, CH, CY, CZ, DE, DK, EE, ES, FI, FR, GB, GR, HR, HU, IE, IS, IT, LT, LU, LV, MC, MK, MT, NL, NO, PL, PT, RO, SE, SI, SK, SM, TR), OAPI (BF, BJ, CF, CG, CI, CM, GA, GN, GQ, GW, ML, MR, NE, SN, TD, TG).

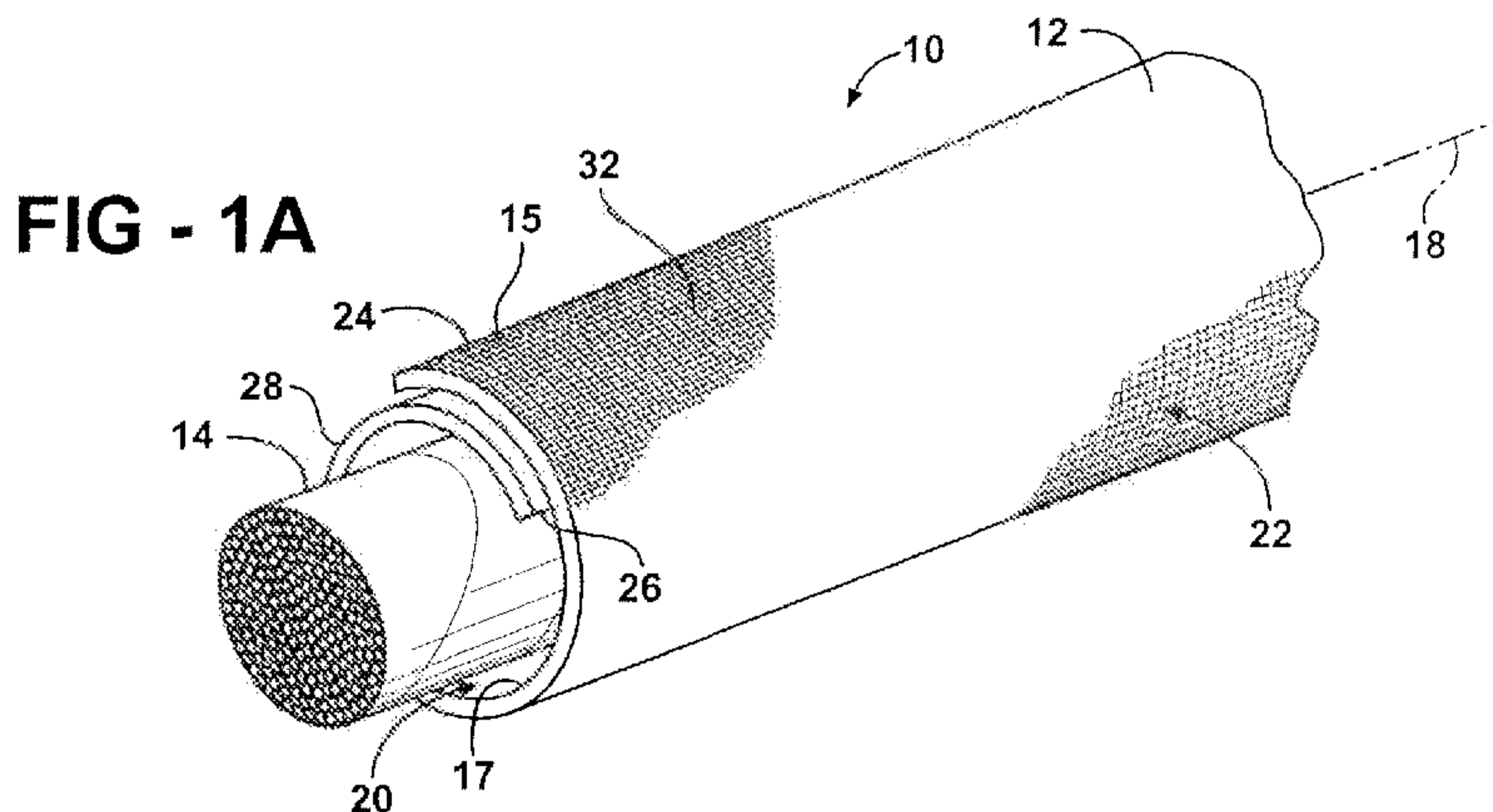
## Published:

- with international search report (Art. 21(3))
- before the expiration of the time limit for amending the claims and to be republished in the event of receipt of amendments (Rule 48.2(h))

## (88) Date of publication of the international search report:

17 June 2010

(54) Title: SELF-WRAPPING TEXTILE SLEEVE WITH PROTECTIVE COATING AND METHOD OF CONSTRUCTION THEREOF



(57) Abstract: A self-wrapping, textile sleeve for routing and protecting elongate members from exposure to abrasion, thermal and other environmental conditions and method on construction thereof. The sleeve has an elongate wall constructed from interlaced yarns having interstices between adjacent yarns. At least one of the yarns is heat formed at one temperature to form the wall as a self-wrapping wall curling about a longitudinal axis of the sleeve. The wall has an inner surface providing a generally tubular cavity in which the elongate members are received. The wall also has an outer surface with a cured layer thereon. The cured layer is cured at the one temperature at which the yarns are heat formed into their self-wrapping configuration, wherein the cured layer fills the interstices between adjunct yarns to form an impervious layer on the wall.



WO 2010/028201 A3

SELF-WRAPPING TEXTILE SLEEVE WITH PROTECTIVE COATING AND  
METHOD OF CONSTRUCTION THEREOF

[0001]

BACKGROUND OF THE INVENTION

1. Technical Field

[0002] This invention relates generally to sleeves for protecting elongate members, and more particularly to self-wrapping textile sleeves.

2. Related Art

[0003] It is known to wrap wires and wire harnesses in protective sleeves, such as in automobiles, aircraft or aerospace craft, to provide protection to the wires against abrasion, fluid and thermal effects. In order to achieve the desired protection, the protective sleeve may have multiple layers, with some of the layers being specifically provided for different types of protection. For example, one layer may be provided for water resistance, e.g. a sheet of plastic material, while another layer may be provided for abrasion resistance, and yet another layer may be provided for protection against thermal conditions, e.g. a non-woven layer. Unfortunately, although the aforementioned multilayer sleeves may provide suitable protection against the various environmental conditions, they typically are bulky, thereby being relatively heavy and exhibiting limited flexibility. This can prove troublesome in some applications, particularly applications requiring routing through tight, winding areas, and applications having weight restrictions, such as aircraft and aerospace applications, for example. In addition, the multilayered sleeves typically come at an increased cost.

SUMMARY OF THE INVENTION

[0004] One aspect of the invention provides a self-wrapping, textile sleeve for routing and protecting elongate members from exposure to abrasion, thermal and other environmental conditions, such as exposure to fluid. The sleeve has an elongate wall constructed from interlaced yarns having interstices between adjacent yarns. At least one of the yarns is heat formed at one temperature to form the wall as a self-wrapping

wall curling about a longitudinal axis of the sleeve. The wall has an inner surface providing a generally tubular cavity in which the elongate members are received. The wall also has an outer surface with a cured layer thereon. The cured layer is cured at the one temperature at which the yarns are heat formed into their self-wrapping configuration, wherein the cured layer fills the interstices between adjunct yarns to form an impervious layer to liquid on the wall.

[0005] In accordance with another aspect of the invention, a method of constructing a self-wrapping, textile sleeve for routing and protecting elongate members is provided. The method includes interlacing a plurality of yarns to form a wall having opposite outer and inner surfaces. Then, applying a liquid coating to the outer surface. Further, heat forming the wall to take on a self-wrapping configuration at one temperature with the inner surface providing a tubular cavity. Further yet, curing the liquid coating at the one temperature during the heat forming step to provide an impervious layer to fluid on the outer surface of the wall.

#### BRIEF DESCRIPTION OF THE DRAWINGS

[0006] These and other aspects, features and advantages will become readily apparent to those skilled in the art in view of the following detailed description of presently preferred embodiments and best mode, appended claims, and accompanying drawings, in which:

[0007] Figure 1A is a schematic perspective partial view of a textile, self-wrapping sleeve constructed in accordance with one aspect of the invention carrying and protecting elongate members therein;

[0008] Figure 1B is a schematic perspective partial view of a textile, self-wrapping sleeve constructed in accordance with another aspect of the invention carrying and protecting elongate members therein;

[0009] Figure 1C is a schematic perspective partial view of a textile, self-wrapping sleeve constructed in accordance with yet another aspect of the invention carrying and protecting elongate members therein;

[0010] Figure 2 is an enlarged schematic partial cross-sectional view of the sleeve of Figure 1;

[0011] Figure 2A is a view similar to Figure 2 of a sleeve constructed according to another aspect of the invention; and

[0012] Figure 3 is process flow diagram illustrating a method of constructing a textile, self-wrapping sleeve in accordance with yet another aspect of the invention.

#### DETAILED DESCRIPTION OF PREFERRED EMBODIMENTS

[0013] Referring in more detail to the drawings, Figure 1 shows a schematic view of textile, self-wrapping sleeve, referred to hereafter as sleeve 10, constructed in accordance with one aspect of the invention. The sleeve 10 has a self-wrapping elongate wall 12 for routing and protecting elongate members, such as wires or a wire harness 14, for example, from exposure to abrasion, thermal and other environmental conditions, such as exposure to fluid. The elongate wall 12 has an outer surface 15 and an inner surface 17, with the wall 12 being constructed from at least one, and preferably a plurality of interlaced yarns 16. At least one of the yarns 16 is heat set to bias the wall 12 into a self-wrapping tubular configuration, wherein the inner surface 17 is self-curved about a longitudinal axis 18 to provide an enclosed tubular inner cavity 20 when the wall 12 is in its relaxed state with an external force acting to uncurl the wall 12 from its self-wrapped configuration. The cavity 20 is readily accessible along the longitudinal axis 18 of the sleeve 10 so that the elongate members 14 can be readily disposed radially into the cavity 20, and conversely, removed from the cavity 20, such as during service. To provide further protection to the elongate members 14 within the sleeve, a protective film, referred to hereafter as layer 22, is cured on the outer surface 15, as better shown in Figure 2. The layer 22 is abrasion resistant, and provides an impervious barrier to fluid, such as water, for example. In addition, the layer 22 provides protection to the elongate members 14 against external radiant heat, up to about 200 degrees Celsius. With the protection provided by the layer 22, the thickness of the interlaced wall 12 can be minimized, whereupon the denier and/or diameter of the yarns 16 can be reduced while providing increased protection to the wires 14. For example, the denier of the yarns 16 can be 800 denier or less. Accordingly, the sleeve 10 provides enhanced protection against abrasion, heat and fluid while at the same time being economical in manufacture, and having a reduced weight.

[0014] The wall 12 can be constructed having any suitable size, including length, diameter and wall thickness. The wall 12 has opposite sides 24, 26 extending generally parallel to the axis 18 that terminate at opposite ends, with one end 28 shown. When the wall 12 is in its self-wrapped tubular configuration, generally free from any externally applied forces, the sides 24, 26 can overlap one another at least slightly to fully enclose

the cavity 20 circumferentially, and thus, the wall 12 provides enhanced protection to the wires 14 contained in the cavity 20 about a full circumference of the wall 12. The sides 24, 26 are readily extendable away from one another under an externally applied force to at least partially open and expose the cavity 20. Accordingly, the wires 14 can be readily disposed into the cavity 20 during assembly or removed from the cavity 20 during service. Upon releasing the externally applied force, the sides 24, 26 return automatically under a bias imparted from being heat set to their relaxed, overlapping self-wrapped position.

[0015] The wall 12 can be constructed from multifilament and/or monofilament yarns, with at least one or more of the yarns being heat-settable. For example, one or more of the yarns 16 can be provided as a heat-settable polymeric material, such as polyphenylene sulfide (PPS), for example, which can be heat set at a temperature of about 200-225 degrees Celsius. The wall 12 can be woven (Figure 1A), knit (Figure 1B), or braided (Figure 1C), from the yarns 16, as desired. As such, voids, also referred to as interstices 32, are inherently formed between adjacent yarns 16. The interstices 32 extend through the thickness of the wall 12, and thus, provide open passages from the outer surface 15 through the inner surface 17 and into the cavity 20.

[0016] As illustrated in Figure 3, upon forming the textile wall 12 with the interlaced yarns 16, whether using a braiding, knitting or weaving apparatus, the layer 22 is formed on the outer surface 15 of the wall 12. The layer 22 is initially applied as a liquid coating, such as by spraying, brushing, dipping or roll coating, for example, onto the outer surface 15 of the wall 12. As shown in Figure 2A, a layer 22' can also be formed to cover the inner surface 17, particularly if a dipping process is used to apply the liquid coating to the interlaced yarns 16. The liquid coating is provided as a fluorocarbon polymer, such as fluorinated ethylene propylene (FEP), and can be purchased under the name EterniTex™ 67-002/D8436 from Whitford Corporation out of Elverson, P.A. The liquid coating has a content of about 65% fluorine and about a 18-22% polymeric solid content by weight. Upon applying the liquid coating to the outer surface 15, the liquid coating is cured by application of heat. The heat imparted is sufficient to cause the polymer particles in the liquid coating to melt and coalesce, thereby converting the liquid coating to form the continuous thin film or layer 22 on the outer surface 15. Preferably, the coating is cured during the heating process used to heat-set the PPS yarns 16 in the wall into their self-curling configuration. As such, the liquid coating is cured to form the layer 22 on the outer surface 15 as an impervious barrier to liquid in the

same heating process and at the same temperature used to form the wall 12 into a self-curling substrate. Accordingly, the manufacturing process used to form the self-curling sleeve 10 is economical. Upon curing the liquid coating, the layer 22, forming an impervious barrier, completely fills the interstices 32 and extends radially outwardly from the outer surface 15, thereby providing the wall 12 with its ability to protect the cavity 20 against the ingress of liquid. In addition, with the layer 22 extending radially outwardly from the interlaced yarns 16, the layer 22 provides complete circumferential protection to the yarns 16 of the wall 12 against abrasion. Although completely filling the interstices 32, the layer 22 can be formed to stop short of reaching the inner surface 17, and thus, the inner surface 17 can be formed free or substantially free of the layer 22. Otherwise, as shown in Figure 2A, the layer 22' can also be formed to extend flush with or extend past the inner surface 17, thereby covering the inner surface 17 and completely encapsulating the interlaced yarns 16, if desired.

[0017] Obviously, many modifications and variations of the present invention are possible in light of the above teachings. It is, therefore, to be understood that within the scope of the appended claims, the invention may be practiced otherwise than as specifically described.

## Claims:

1. A self-wrapping, textile sleeve for routing and protecting elongate members, comprising:

an elongate wall constructed from interlaced yarns having interstices between adjacent yarns, at least one of said yarns being heat set at one temperature to bias said wall into a self-wrapping wall about a longitudinal axis of said sleeve, said wall having an inner surface providing a generally tubular cavity in which the elongate members are received and an outer surface; and

a layer of cured liquid coating on said outer surface of said wall, said liquid coating being curable at said one temperature and filling said interstices to provide said wall as impervious to liquid.

2. The self-wrapping, textile sleeve of claim 1 wherein said layer extends radially outwardly from said outer surface.

3. The self-wrapping, textile sleeve of claim 2 wherein said inner surface is substantially free of said layer.

4. The self-wrapping, textile sleeve of claim 2 wherein said layer extends radially inwardly from said inner surface.

5. The self-wrapping, textile sleeve of claim 1 wherein said at least one of said yarns is heat settable at a temperature between about 200-225 degrees Celsius.

6. The self-wrapping, textile sleeve of claim 5 wherein said liquid coating is curable at a temperature between about 200-225 degrees Celsius.

7. The self-wrapping, textile sleeve of claim 6 wherein said liquid coating is a fluorocarbon polymer.

8. The self-wrapping, textile sleeve of claim 1 wherein said wall is woven, braided or knit.

9. A method of constructing a self-wrapping, textile sleeve for routing and protecting elongate members, comprising:

forming an interlaced textile wall having interstices extending between opposite outer and inner surfaces;

applying a liquid coating to the entirety of the outer surface;

heat setting the wall into a self-wrapping configuration at one temperature with the inner surface providing a tubular cavity; and

curing the liquid coating at the one temperature during the heat setting step.

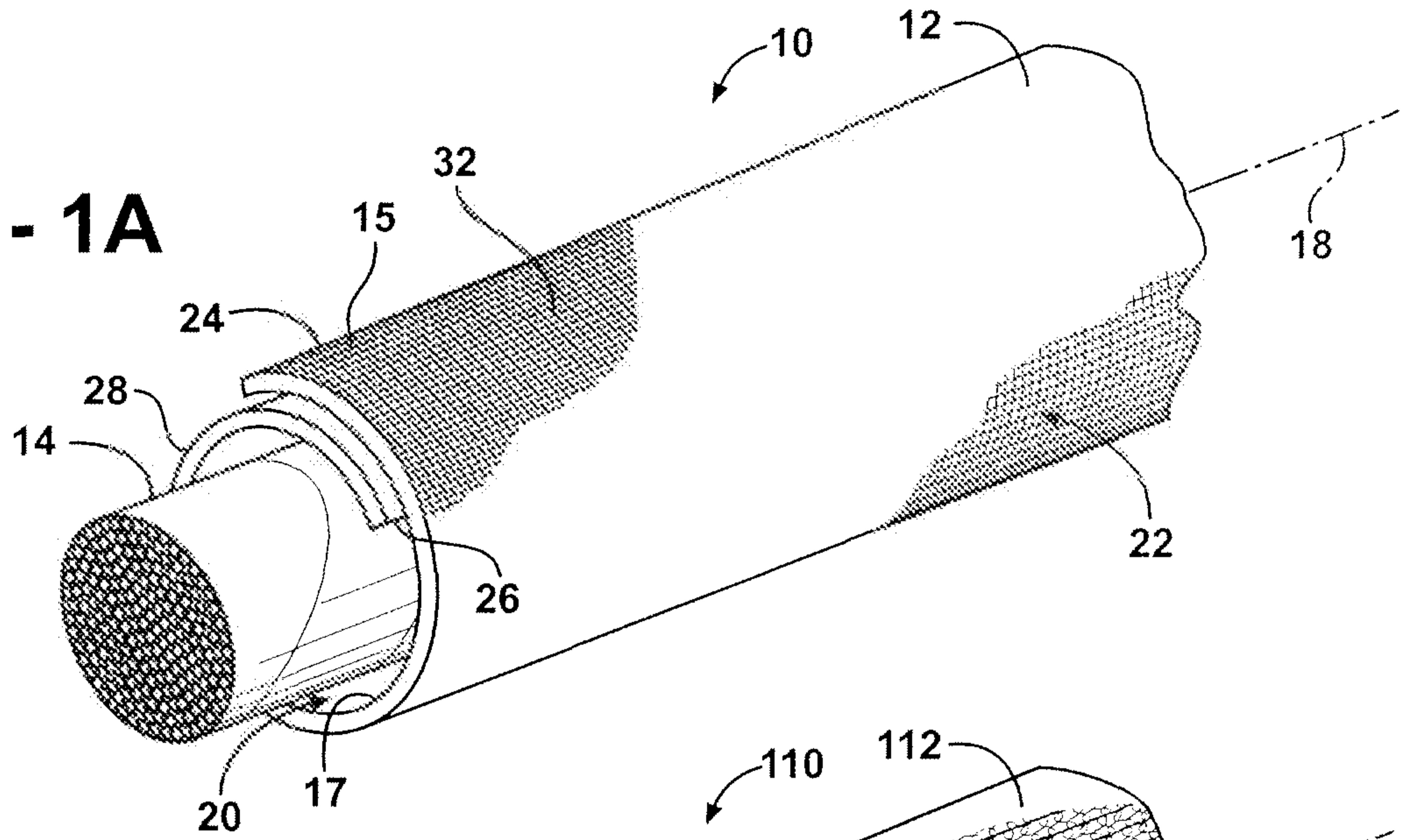
10. The method of claim 9 further including converting the liquid coating to form an impervious layer on the outer surface during the curing step.

11. The method of claim 10 further including filling the interstices with the impervious layer and forming the impervious layer on the inner surface.

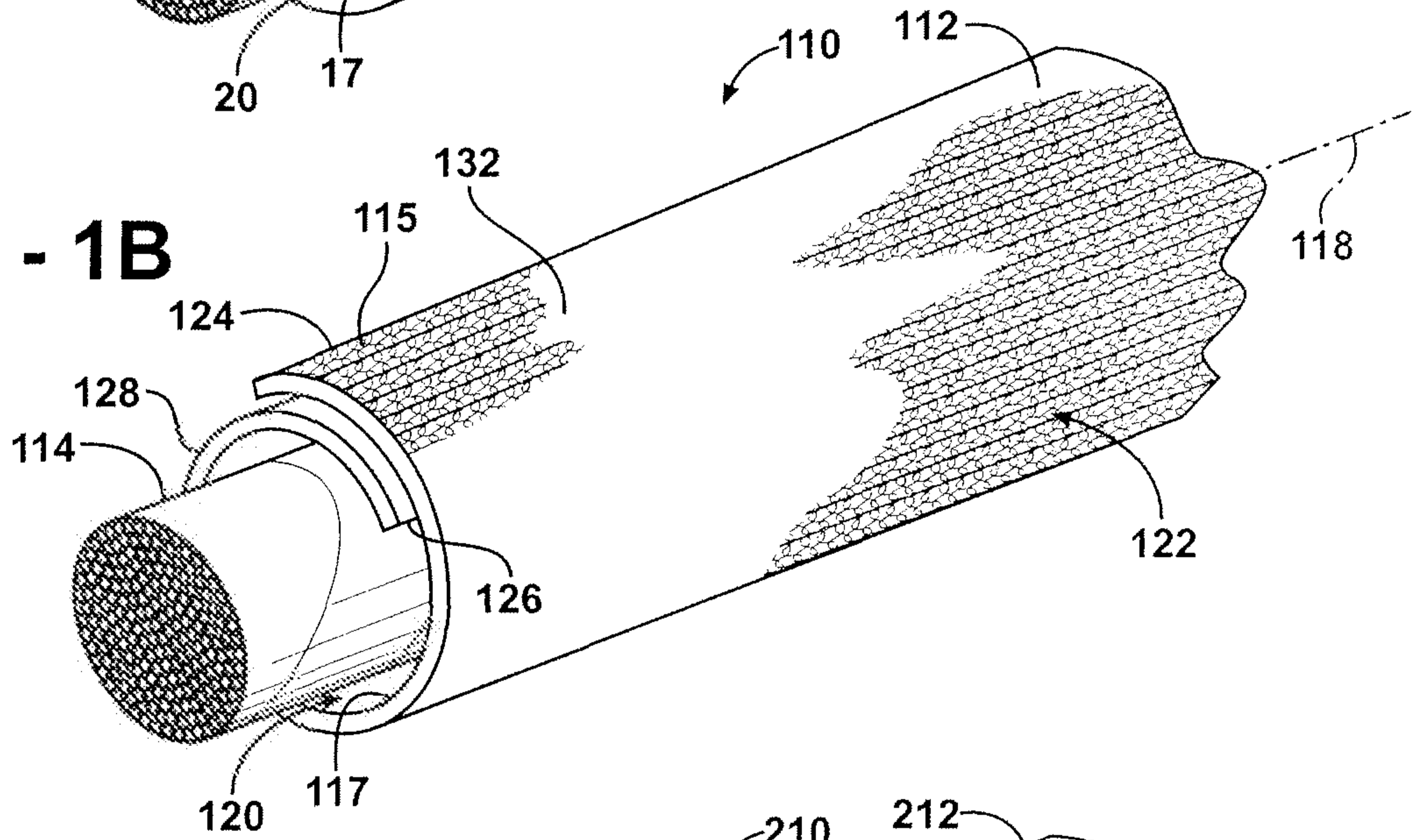
12. The method of claim 10 further including leaving the inner surface substantially free of said impervious layer.

13. The method of claim 9 further including providing the liquid coating as a fluorocarbon polymer.

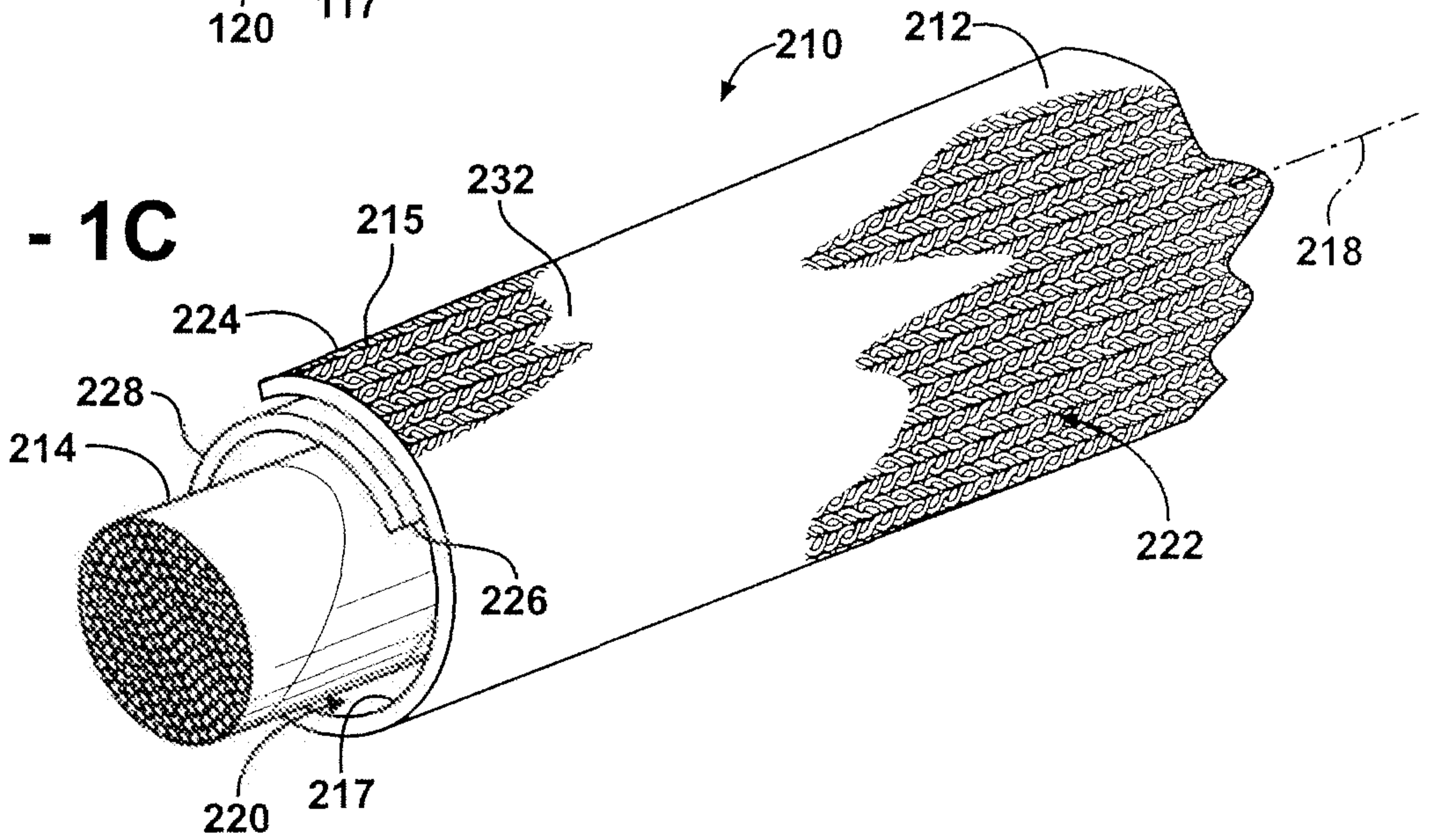
**FIG - 1A**



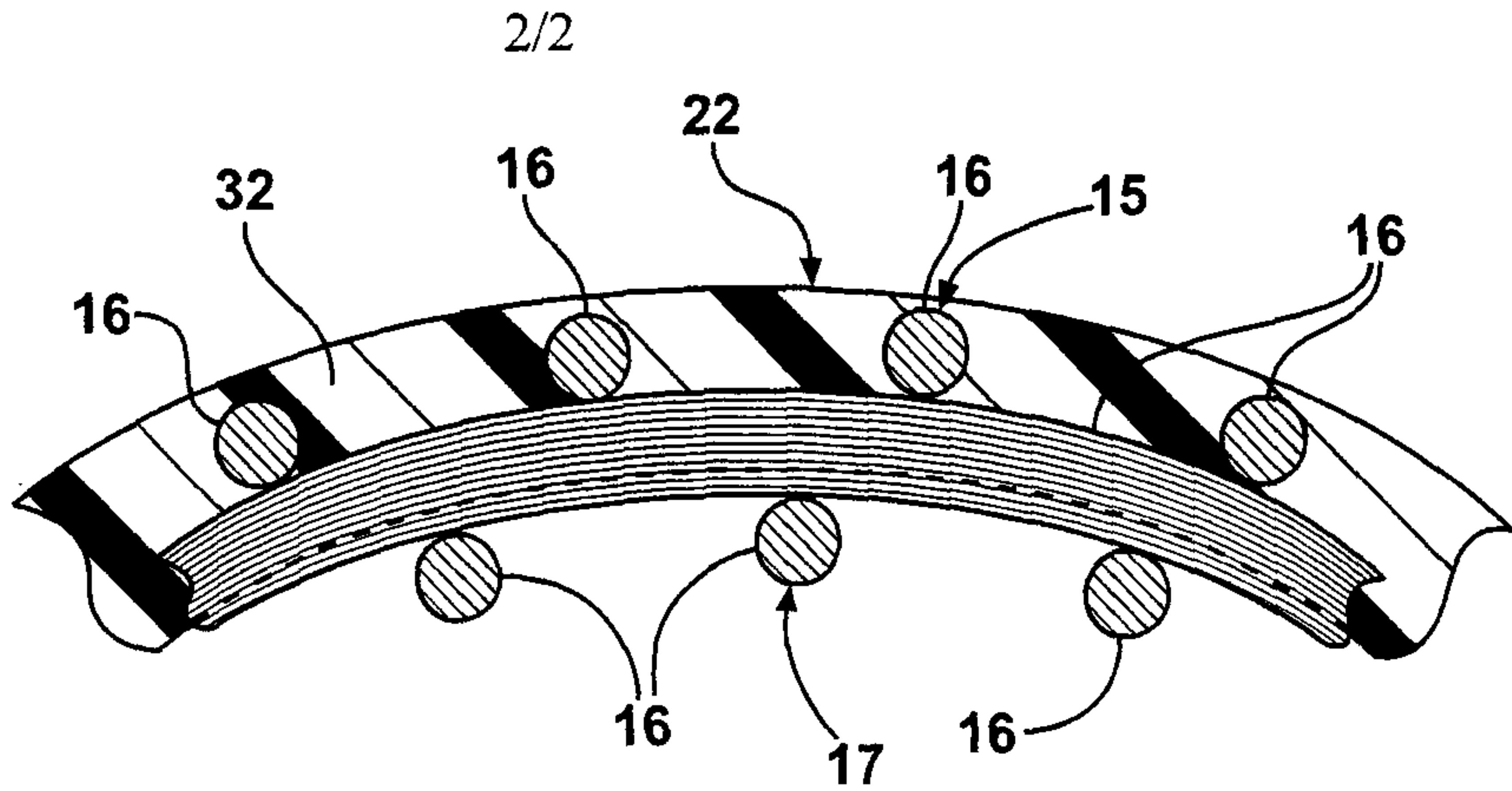
**FIG - 1B**



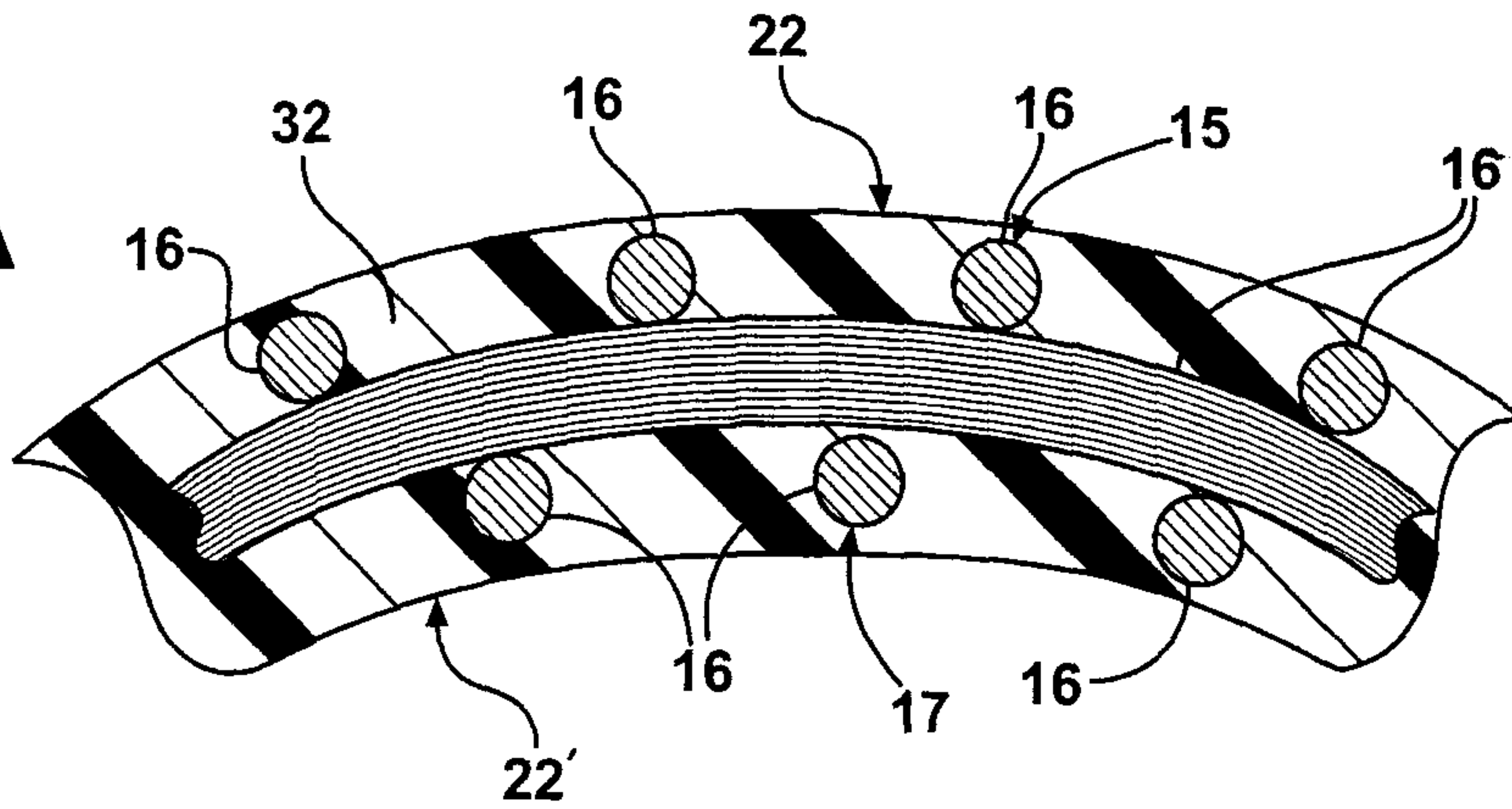
**FIG - 1C**



**FIG - 2**



**FIG - 2A**



**FIG. 3**

