



(12) **United States Design Patent**
Lin

(10) **Patent No.:** **US D1,027,006 S**
(45) **Date of Patent:** **** May 14, 2024**

(54) **SOFTBOX**

(71) Applicant: **YUEQING YOUYOU**
E-COMMERCE CO., LTD., Yueqing
(CN)

(72) Inventor: **Dongdong Lin**, Yueqing (CN)

(73) Assignee: **YUEQING YOUYOU**
E-COMMERCE CO., LTD., Yueqing
(CN)

(**) Term: **15 Years**

(21) Appl. No.: **29/803,900**

(22) Filed: **Aug. 17, 2021**

Related U.S. Application Data

(63) Continuation-in-part of application No. 29/768,405,
filed on Jan. 29, 2021, now Pat. No. Des. 940,783.

(51) **LOC (14) Cl.** **16-05**

(52) **U.S. Cl.**
USPC **D16/237**

(58) **Field of Classification Search**
USPC D8/354, 355, 363, 373, 382, 383, 394,
D8/396; D14/224, 229, 238, 251, 253;
D16/209, 237–250; D26/118
(Continued)

(56) **References Cited**

U.S. PATENT DOCUMENTS

923,542 A * 6/1909 Losey F21K 5/00
431/364
1,726,379 A * 8/1929 Benford F21V 7/05
D26/118

(Continued)

FOREIGN PATENT DOCUMENTS

CN 306811300 * 9/2021
CN 307570539 * 9/2022
EM 008808273-0002 * 1/2022

OTHER PUBLICATIONS

Fomito, product availability Mar. 15, 2019 [online], picture review
Jan. 20, 2020 [online], [site visited Jun. 23, 2023]:URL:< https://
www.amazon.com/Nicefoto-Parabolic-Softbox-Professional-
Photography/dp/B07PPTC6V3?th=1> (Year: 2019).*

(Continued)

Primary Examiner — Bao-Yen T Nguyen
Assistant Examiner — Loryn K. LeBlanc

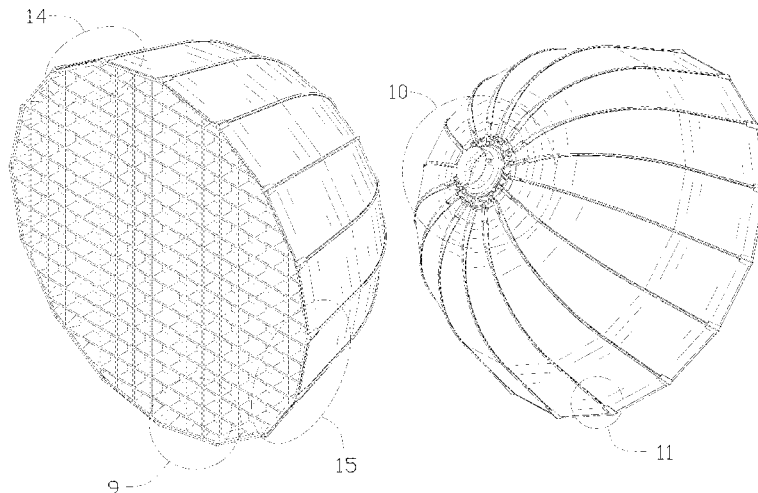
(57) **CLAIM**

The ornamental design for a softbox, as shown and
described.

DESCRIPTION

FIG. 1 is a perspective view of a softbox showing my new
design;
FIG. 2 is another perspective view thereof;
FIG. 3 is a front elevational view thereof;
FIG. 4 is a rear elevational view thereof;
FIG. 5 is a left side elevational view thereof;
FIG. 6 is a right side elevational view thereof;
FIG. 7 is a top plan view thereof;
FIG. 8 is a bottom plan view thereof;
FIG. 9 is an enlarged view of portion 9 shown in FIG. 1;
FIG. 10 is an enlarged view of portion 10 shown in FIG. 2;
FIG. 11 is an enlarged view of portion 11 shown in FIG. 2;
FIG. 12 is a perspective view of the softbox where the
softbox is in a configuration of use;
FIG. 13 is a front perspective view thereof;
FIG. 14 is an enlarged view of portion 14 shown in FIG. 1;
and,
FIG. 15 is an enlarged view of portion 15 shown in FIG. 2.
The dash-dash broken lines in the drawings depict portions
of the softbox that form no part of the claimed design. The
dot-dash broken lines represent boundaries of the enlarged
portions and form no part of the claimed design.

1 Claim, 15 Drawing Sheets



(58) **Field of Classification Search**

CPC G03B 17/02; G03B 17/56; G03B 17/04;
 G03B 17/561-566; G03B 15/03; H04N
 5/2251; H04N 5/2252; H04N 5/2253;
 H04N 5/2254; G02B 7/02; G02B 7/04;
 G02B 7/14; F16M 11/14

See application file for complete search history.

(56) **References Cited**

U.S. PATENT DOCUMENTS

D683,064 S * 5/2013 Tuck D26/118
 D692,609 S * 10/2013 Waltz D26/118
 8,833,951 B1 * 9/2014 Pavlenko G03B 15/06
 362/18
 D851,322 S * 6/2019 Anastasiades F21V 5/02
 D26/91
 D877,966 S * 3/2020 Boerup D26/118
 D888,811 S * 6/2020 Chen D16/237
 D894,472 S * 8/2020 Boerup D26/118
 D940,782 S * 1/2022 Zhu D16/244
 D940,783 S * 1/2022 Lin D16/244
 D956,325 S * 6/2022 Lin D16/244

D989,162 S * 6/2023 Wang D16/240
 2005/0088836 A1 * 4/2005 Lowe G03B 15/06
 362/18
 2010/0188752 A1 * 7/2010 Briese G03B 15/06
 359/599
 2012/0026717 A1 * 2/2012 Lin G03B 15/06
 362/16
 2019/0377242 A1 * 12/2019 Boerup G03B 15/06
 2021/0382374 A1 * 12/2021 Yoo G03B 15/02
 2022/0404686 A1 * 12/2022 Boerup G03B 15/06

OTHER PUBLICATIONS

Selens, product availability Oct. 19, 2017 [online], written review
 May 1, 2018 [online], [site visited Jun. 23, 2023]: URL:<<https://www.amazon.com/Selens-Honeycomb-48-Parabola-Folding/dp/B076K65GL8?th=1>> (Year: 2017).*

Neewer, product availability Apr. 11, 2018 [online], picture review
 Mar. 16, 2022 [online], [site visited Jun. 23, 2023]: URL:<<https://www.amazon.com/Neewer-centimeters-Octagonal-Speedring-Photography/dp/B07C4LS6BP?th=1>> (Year: 2018).*

* cited by examiner

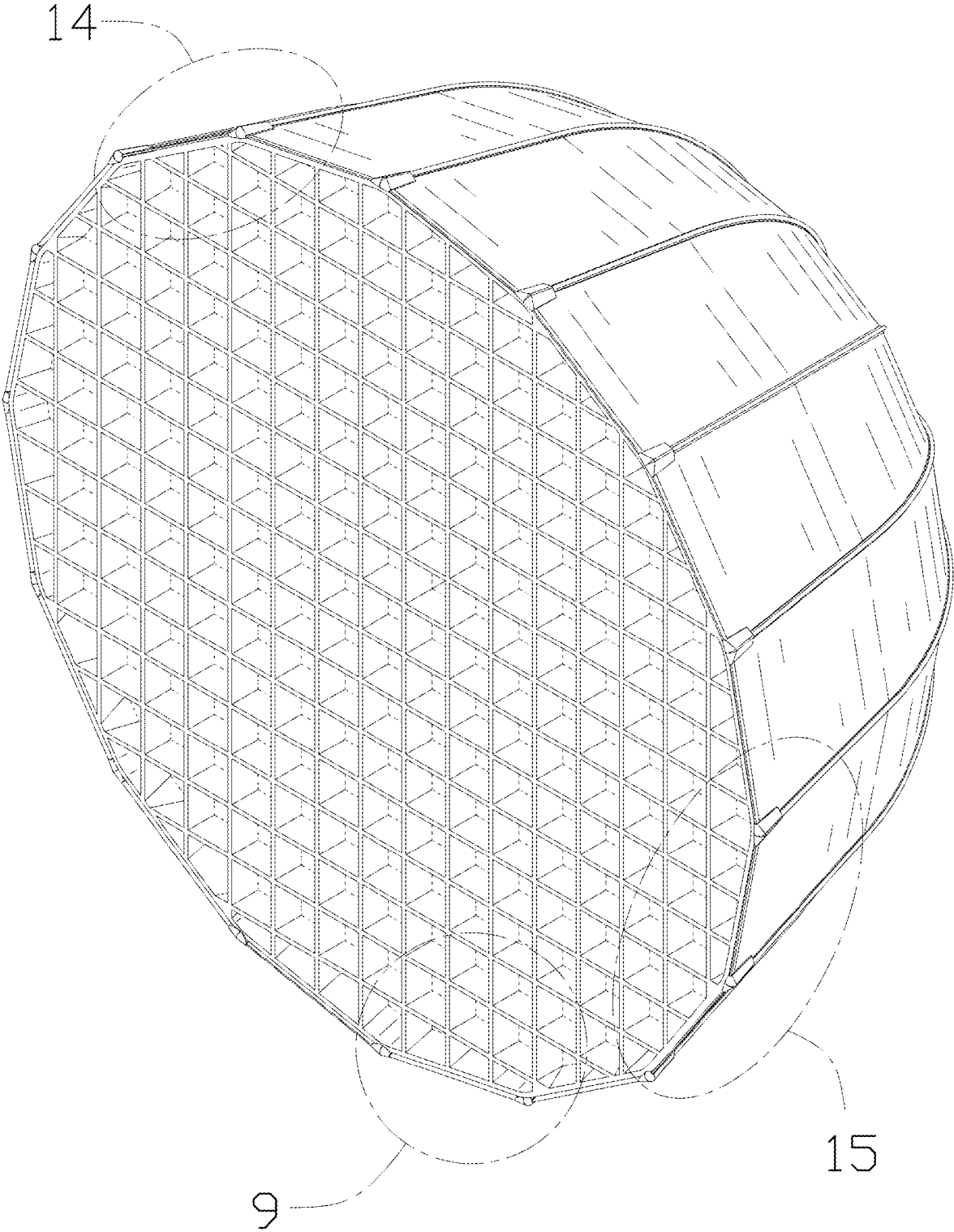


FIG. 1

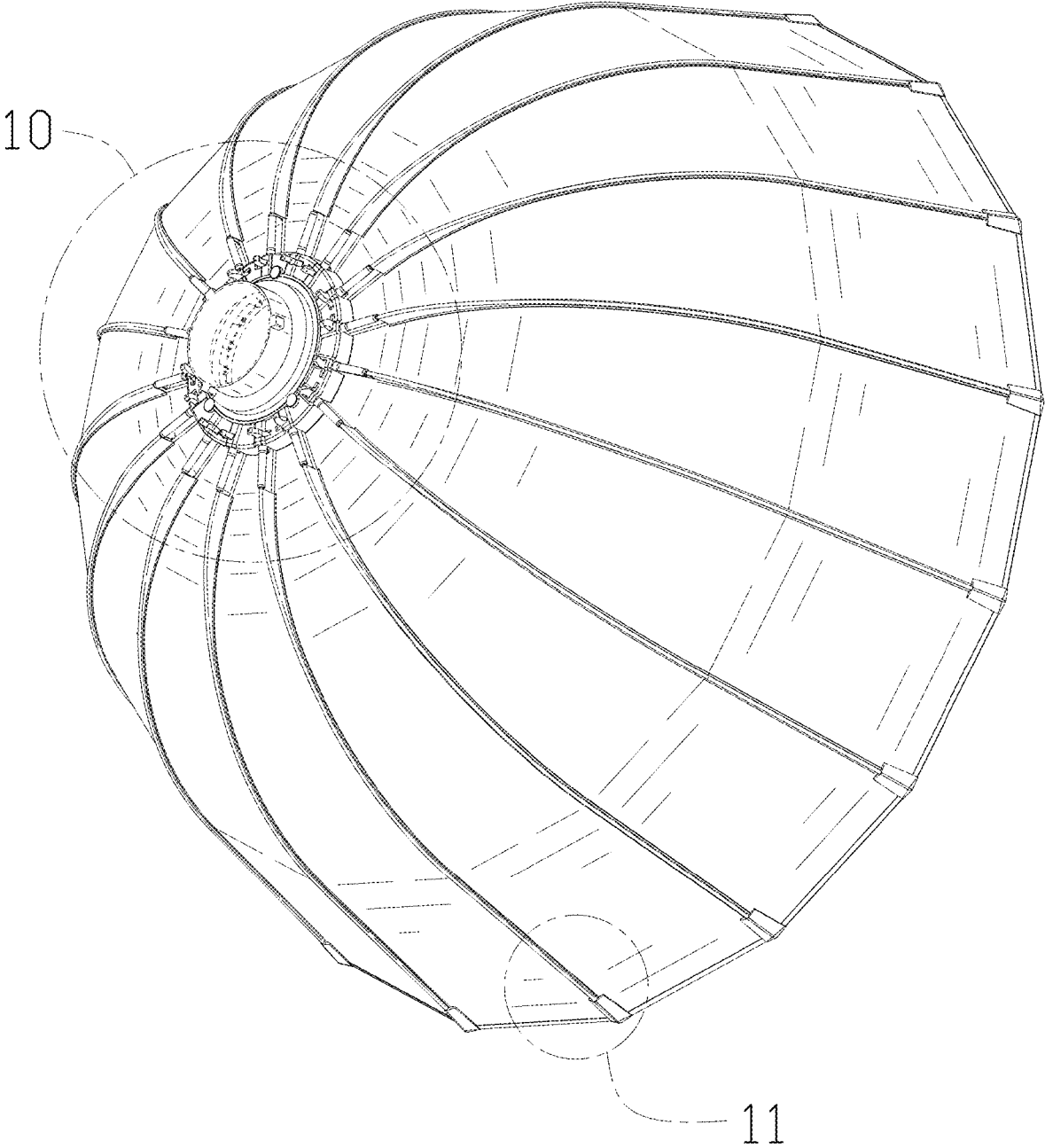


FIG. 2

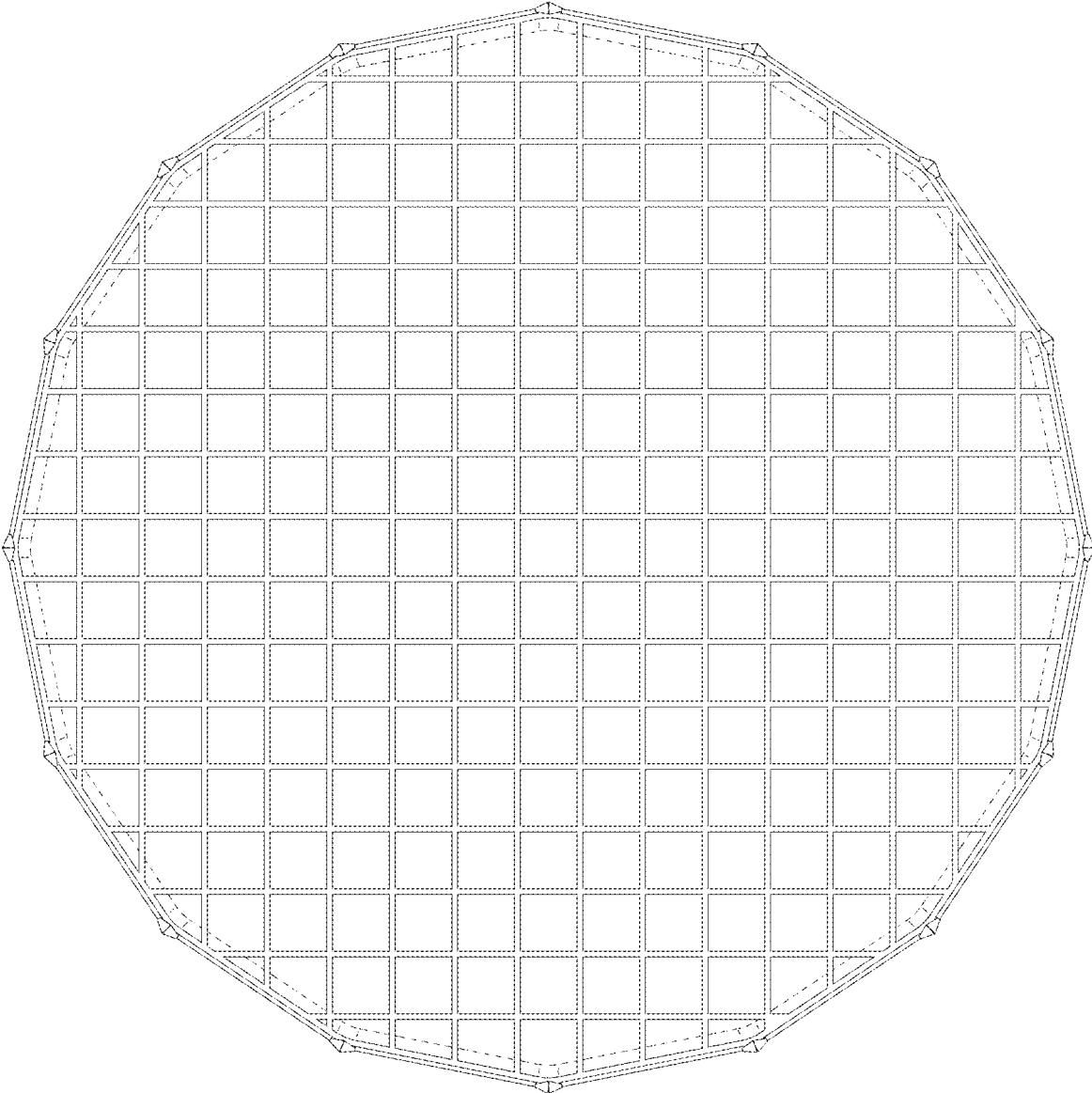


FIG. 3

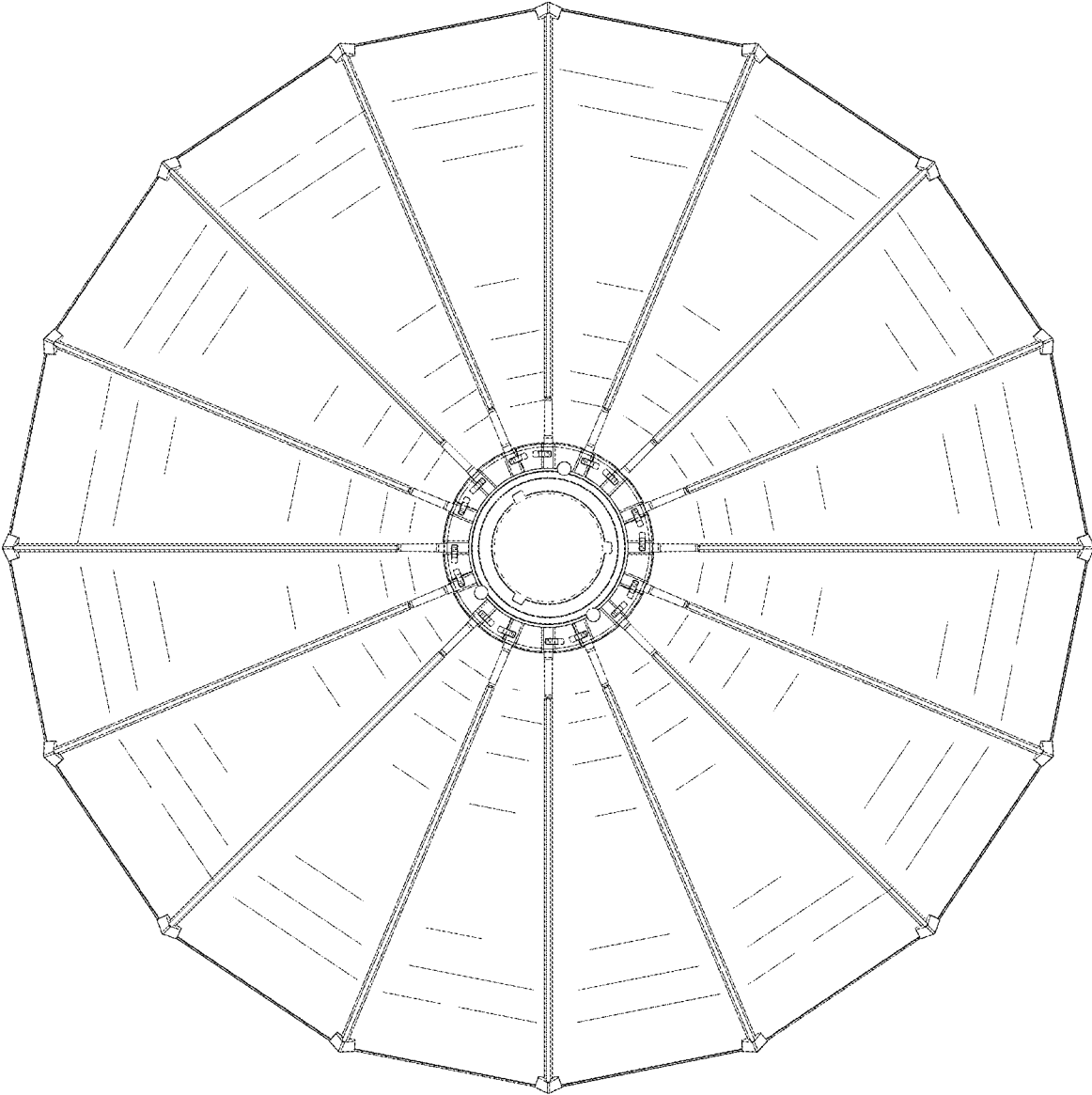


FIG. 4

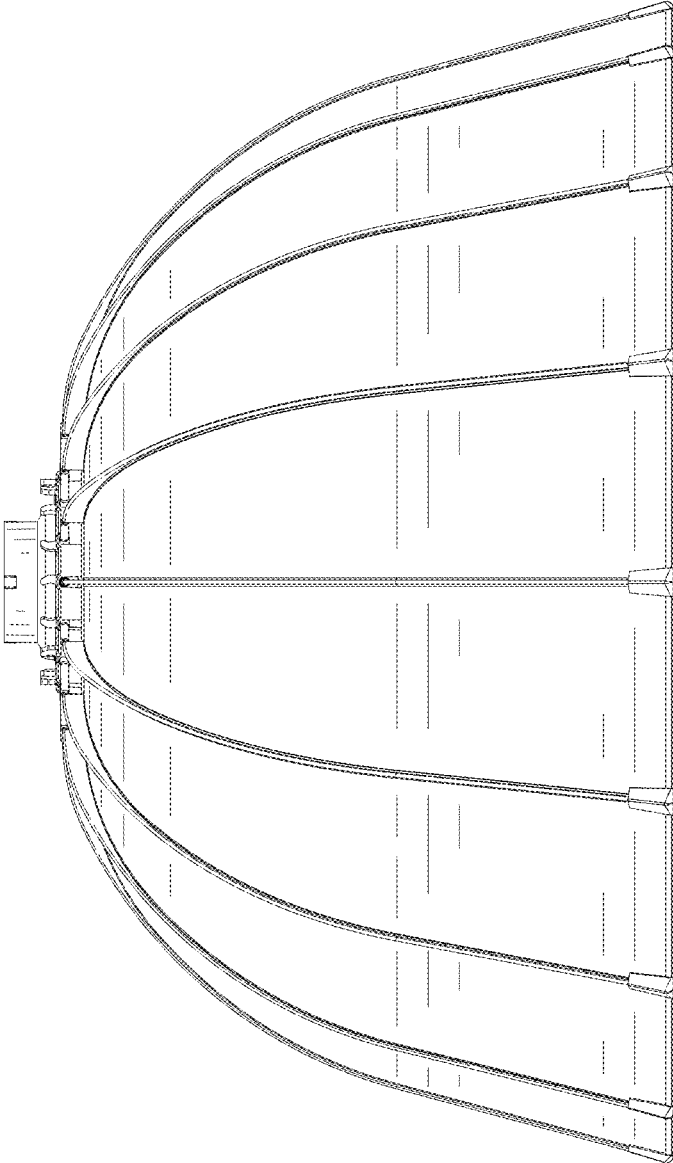


FIG. 5

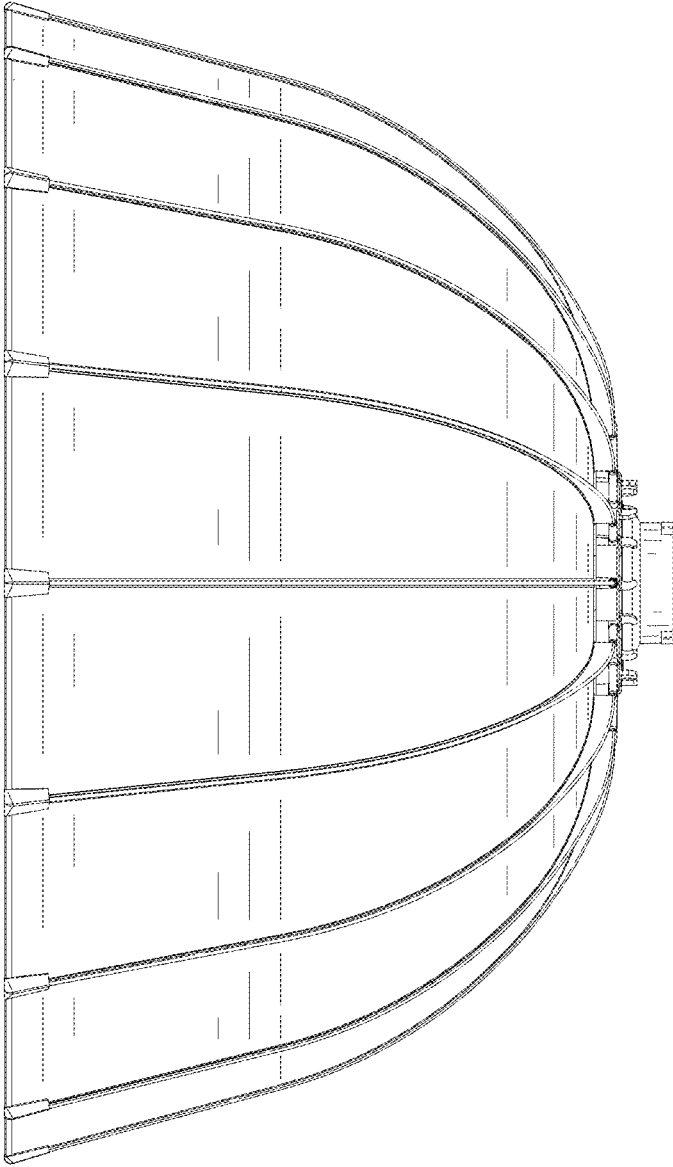


FIG. 6

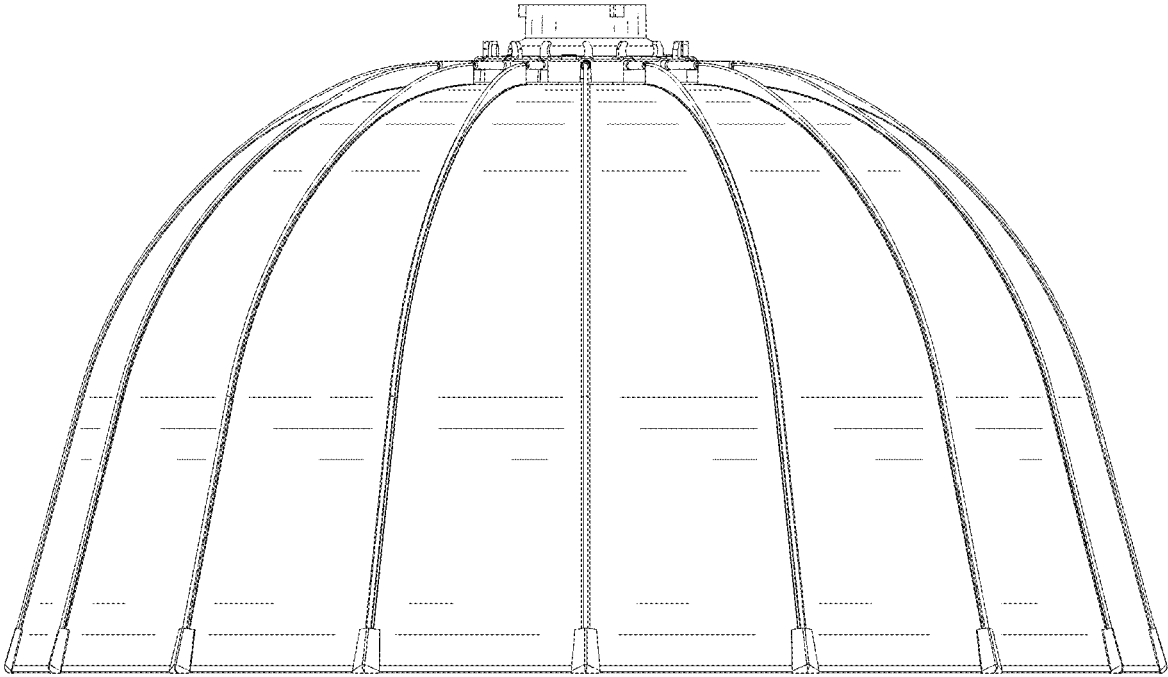


FIG. 7

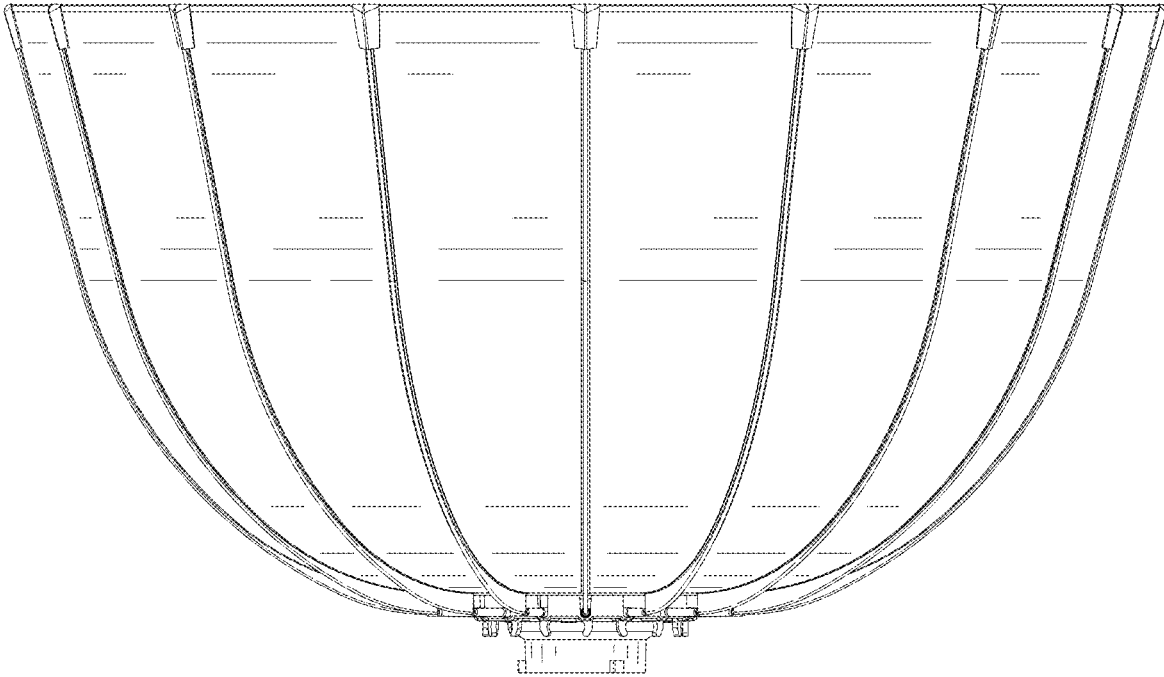


FIG. 8

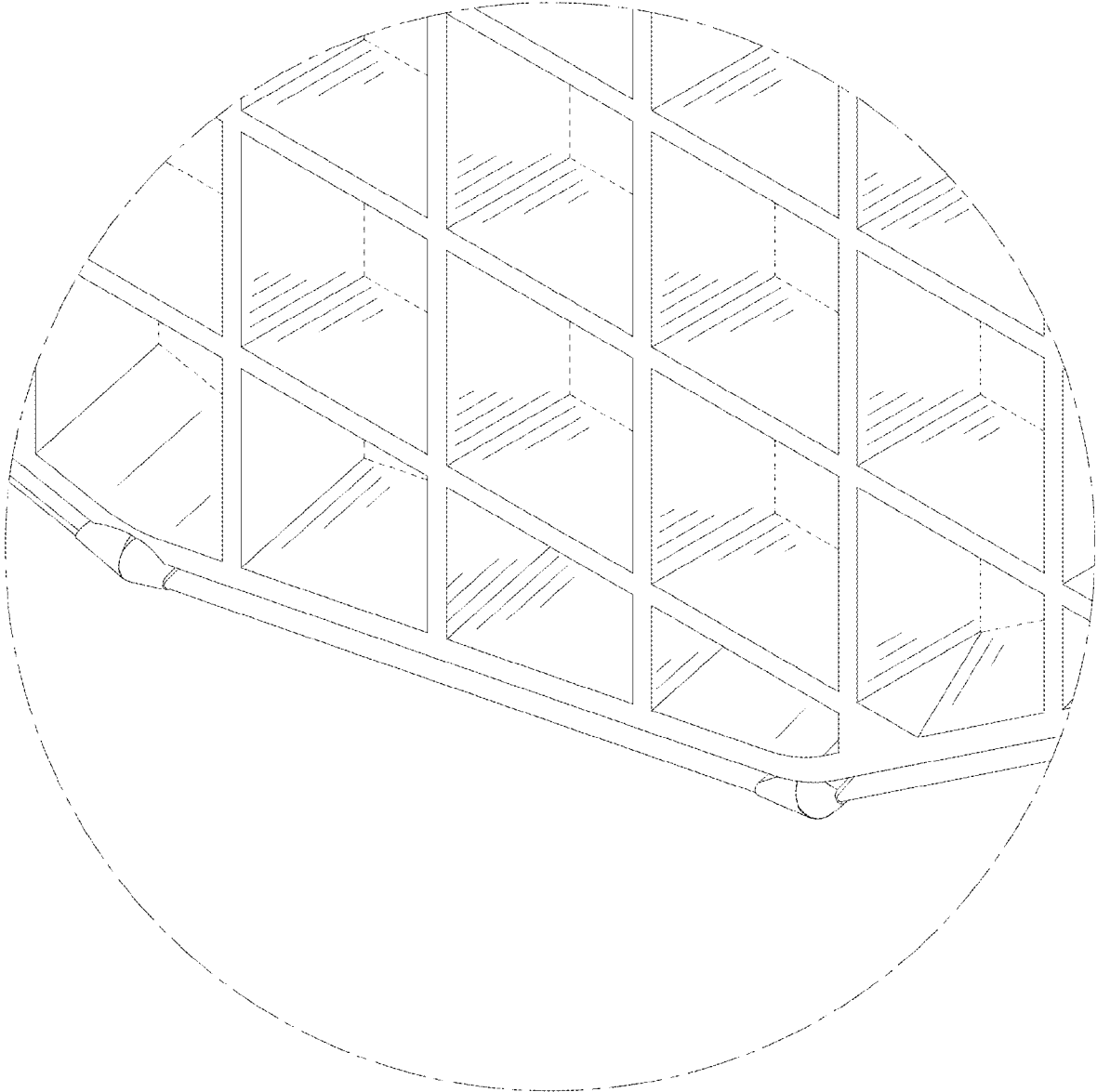


FIG. 9

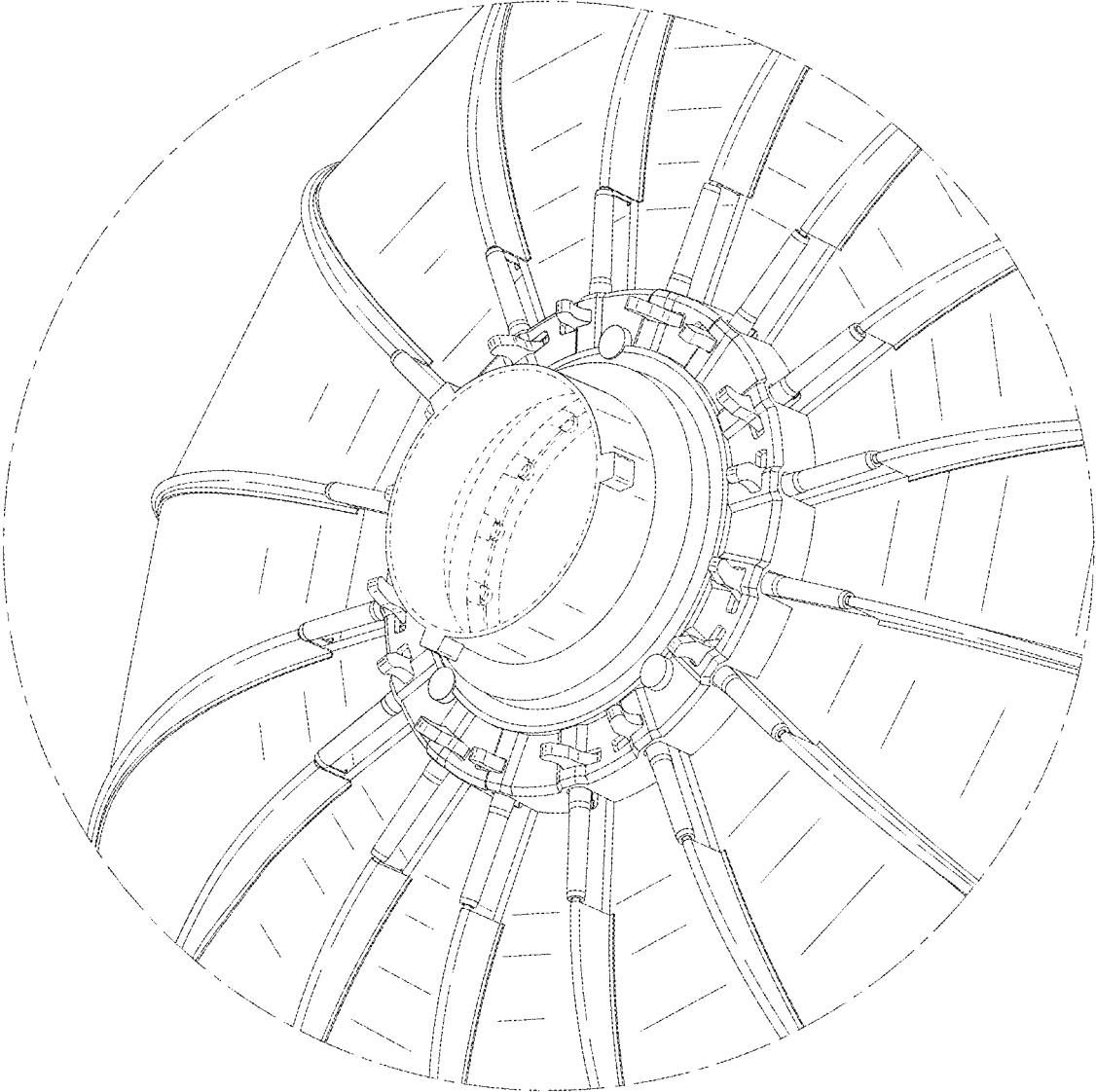


FIG. 10

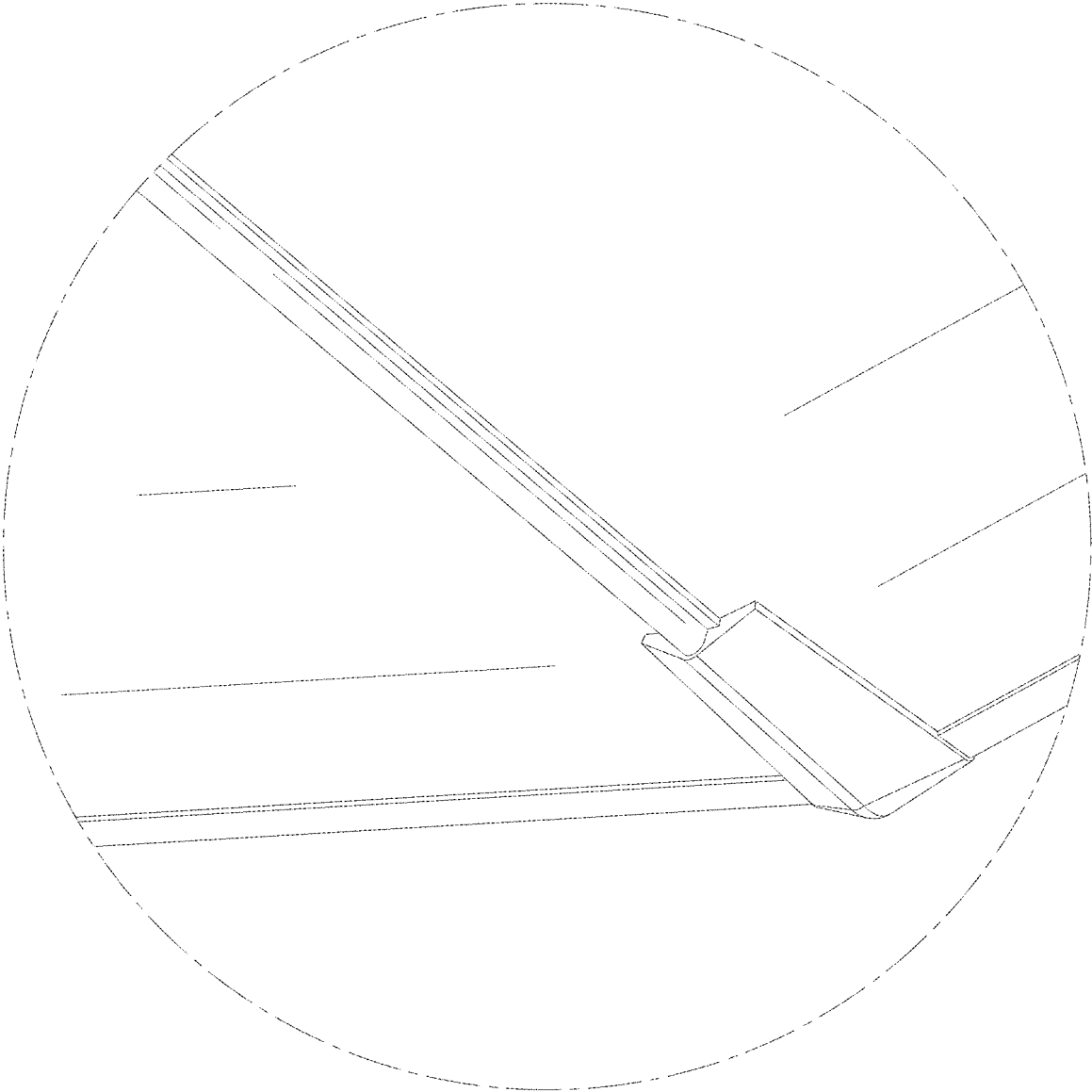


FIG. 11

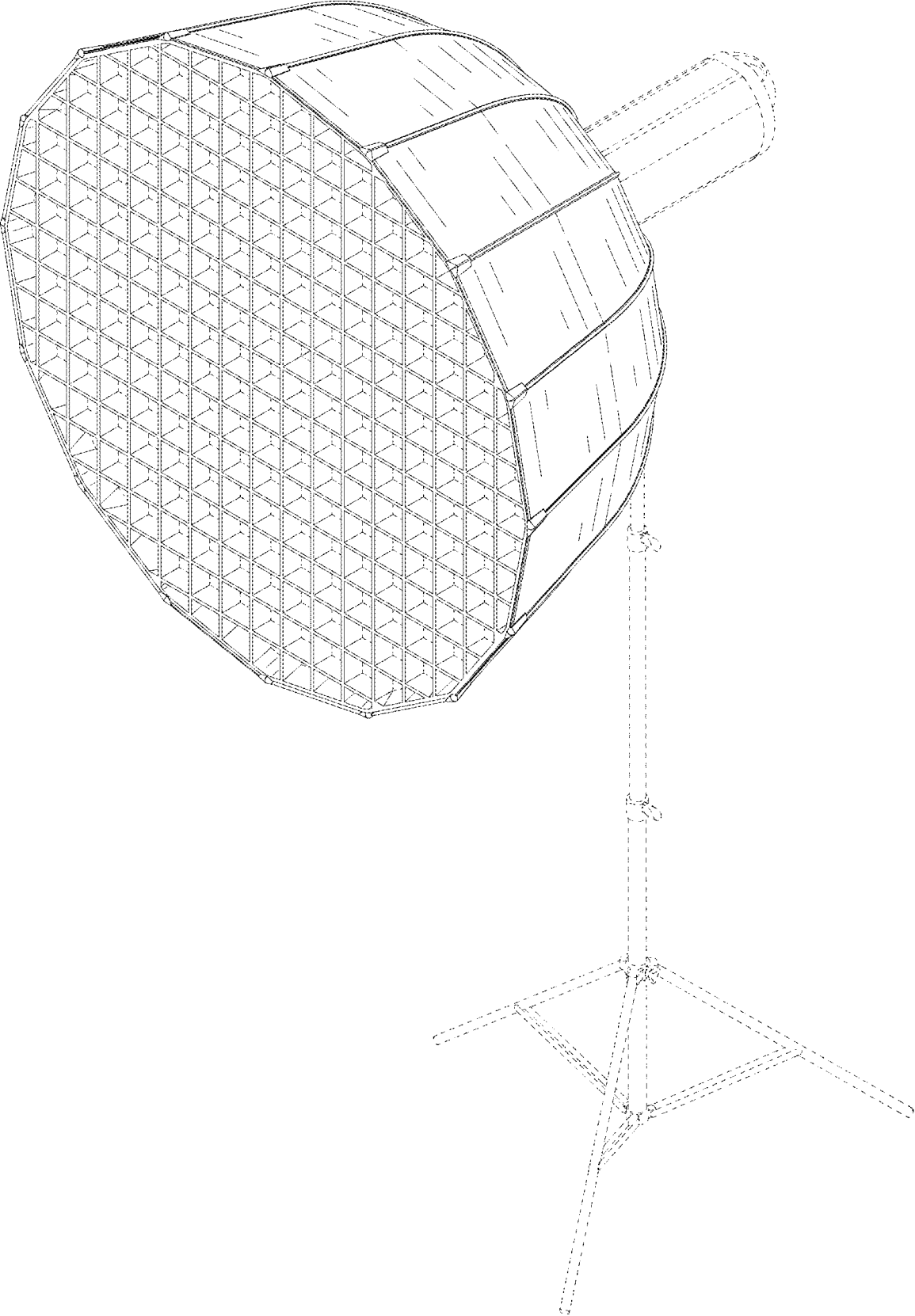


FIG. 12

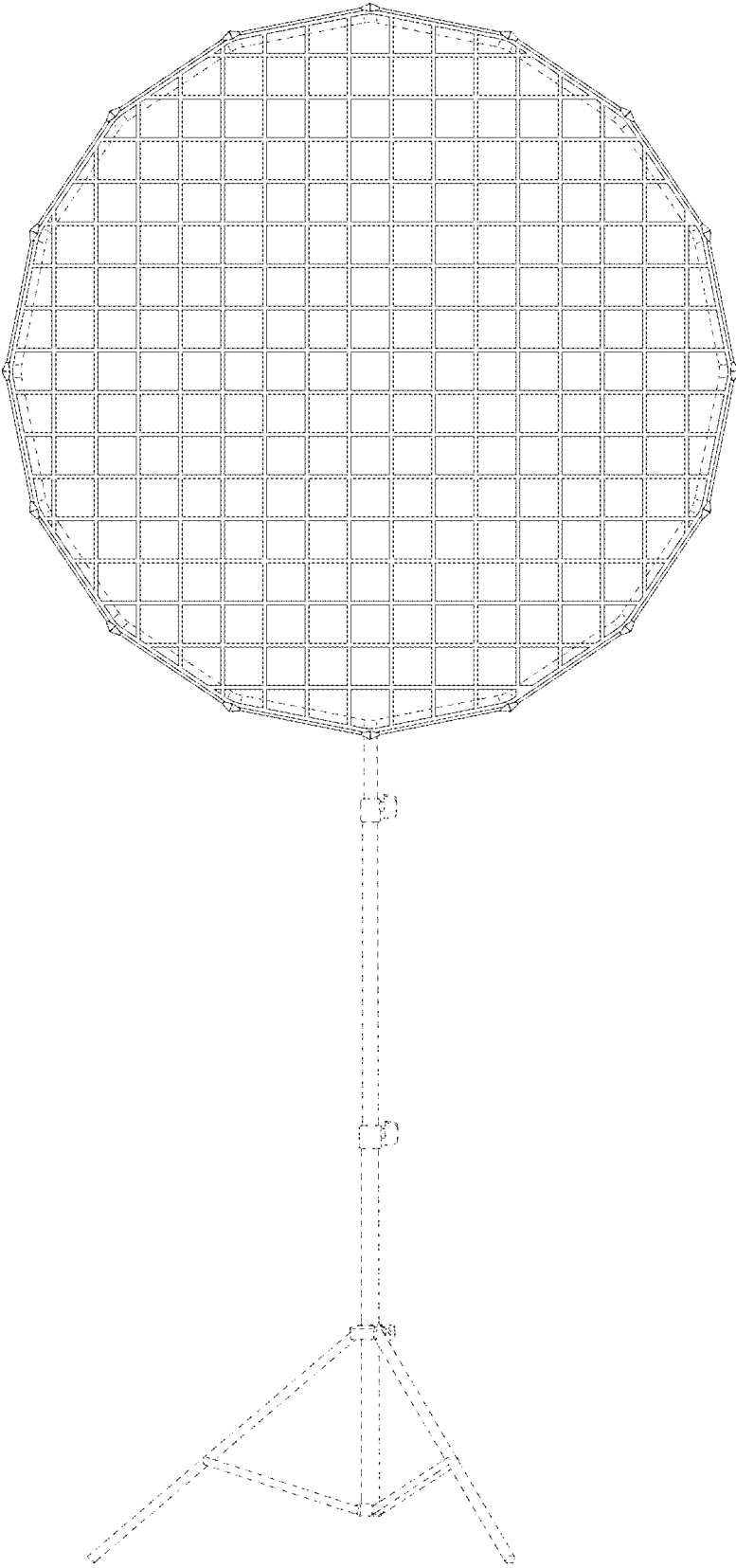


FIG. 13

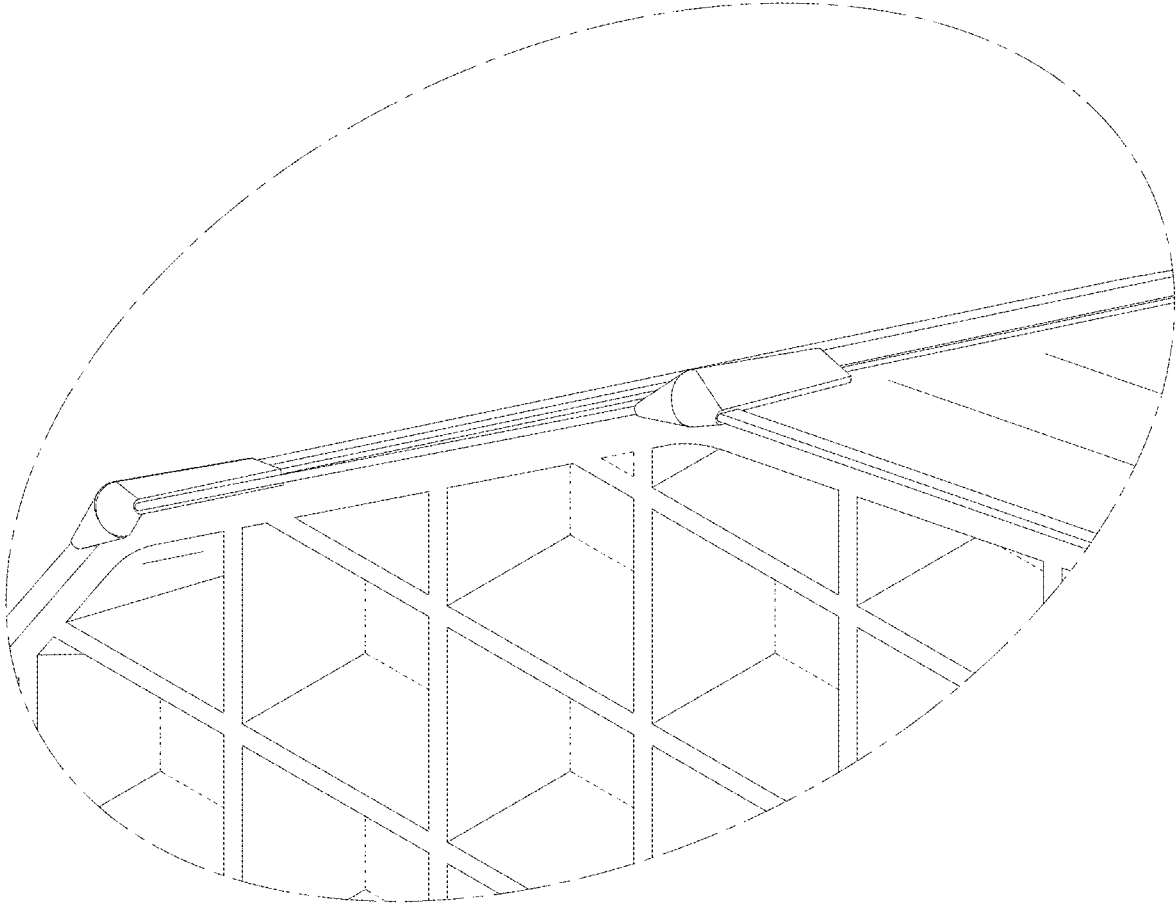


FIG. 14

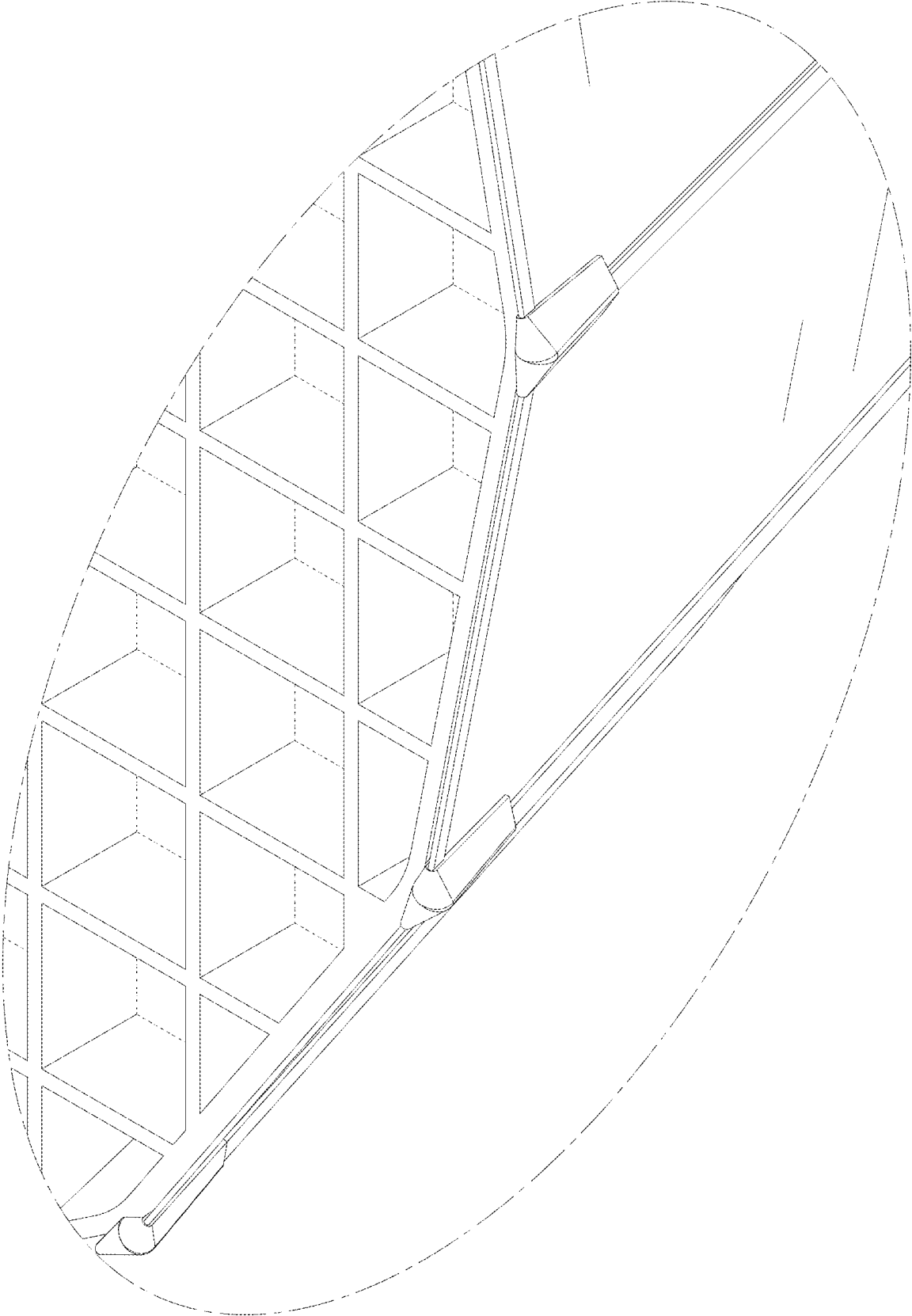


FIG. 15