



US00D729987S

(12) **United States Design Patent**  
**Holm et al.**

(10) **Patent No.:** **US D729,987 S**

(45) **Date of Patent:** **\*\* May 19, 2015**

(54) **FEEDER AND WATERER**

(71) Applicants: **Hans Joachim Holm**, Westerroefeld  
(DE); **Hans Joachim Laue**,  
Osterroefeld (DE)

(72) Inventors: **Hans Joachim Holm**, Westerroefeld  
(DE); **Hans Joachim Laue**,  
Osterroefeld (DE)

(\*\*) Term: **14 Years**

(21) Appl. No.: **29/453,210**

(22) Filed: **Apr. 26, 2013**

(30) **Foreign Application Priority Data**

Oct. 26, 2012 (EP) ..... 002125773

(51) **LOC (10) Cl.** ..... **30-03**

(52) **U.S. Cl.**  
USPC ..... **D30/121; D30/132; D30/133**

(58) **Field of Classification Search**  
USPC ..... D30/133, 121, 122, 124, 127, 128, 132,  
D30/131; 119/51.01, 61, 51.04, 53, 57.91,  
119/54, 53.5, 52.4, 51.11, 63, 61.2, 52.1,  
119/57.5, 57.6, 51.13, 62, 75, 500, 501;  
239/7, 687, 379, 397.5; 222/199,  
222/181.1, 181.2, 185.1, 557, 156, 485,  
222/486, 548, 555; 220/200, 227, 247, 262;  
221/174, 185.1, 289, 295, 296, 559;  
454/35; 209/270, 283, 244; 52/194,  
52/192; 49/279, 344, 357; D34/28

See application file for complete search history.

(56) **References Cited**

U.S. PATENT DOCUMENTS

337,870 A \* 3/1886 Roberts ..... 414/457  
436,373 A \* 9/1890 McDonna ..... 280/47.18  
517,642 A \* 4/1894 Campbell ..... 414/457

978,562 A \* 12/1910 Choate ..... 248/141  
1,458,058 A \* 6/1923 Hoppes ..... 119/51.01  
1,844,065 A \* 2/1932 Heintz et al. .... 406/101  
2,596,390 A \* 5/1952 Essick ..... 280/43  
2,683,012 A \* 7/1954 Reinsma ..... 248/129  
2,942,574 A \* 6/1960 Golay ..... 119/51.01  
2,974,633 A \* 3/1961 Whidden ..... 119/51.01  
3,055,674 A \* 9/1962 Karwatt et al. .... 280/47.131  
D197,734 S \* 3/1964 Wahl ..... D15/13  
D222,642 S \* 11/1971 Broyhill ..... D15/13  
3,658,383 A \* 4/1972 Sisson ..... 298/2  
3,675,940 A \* 7/1972 Crookston ..... 280/47.26  
3,703,260 A \* 11/1972 Grabske ..... 239/666  
D231,784 S \* 6/1974 Morehouse ..... D15/13  
4,106,648 A \* 8/1978 Dickson ..... 414/446  
D249,348 S \* 9/1978 Hughes ..... D15/13

(Continued)

FOREIGN PATENT DOCUMENTS

DE 202005012843 U1 12/2005  
DE 202009001542 U1 7/2009  
EP 1897438 A2 3/2008

*Primary Examiner* — Susan Moon Lee

(74) *Attorney, Agent, or Firm* — Stuart H. Mayer; Mayer &  
Williams PC

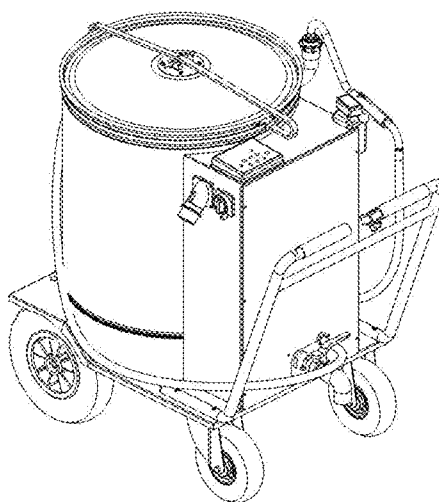
(57) **CLAIM**

The ornamental design for a feeder and waterer, as shown and  
described.

**DESCRIPTION**

FIG. 1 is a front view of the feeder and waterer;  
FIG. 2 is a right side view of the feeder and waterer;  
FIG. 3 is a top view of the feeder and waterer;  
FIG. 4 is a left side view of the feeder and waterer;  
FIG. 5 is a front upper perspective view of the feeder and  
waterer;  
FIG. 6 is a rear upper perspective view of the feeder and  
waterer; and,  
FIG. 7 is a back view of the feeder and waterer.

**1 Claim, 7 Drawing Sheets**



(56)

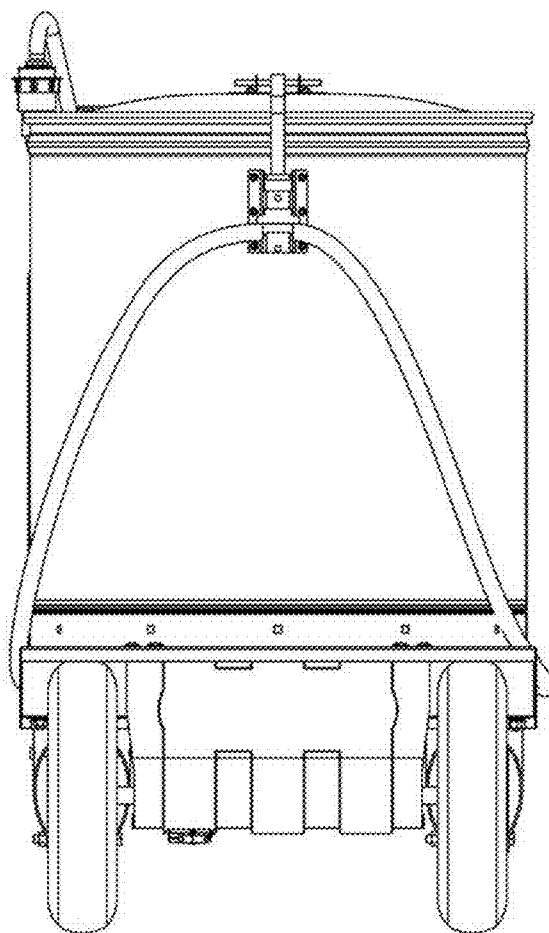
References Cited

U.S. PATENT DOCUMENTS

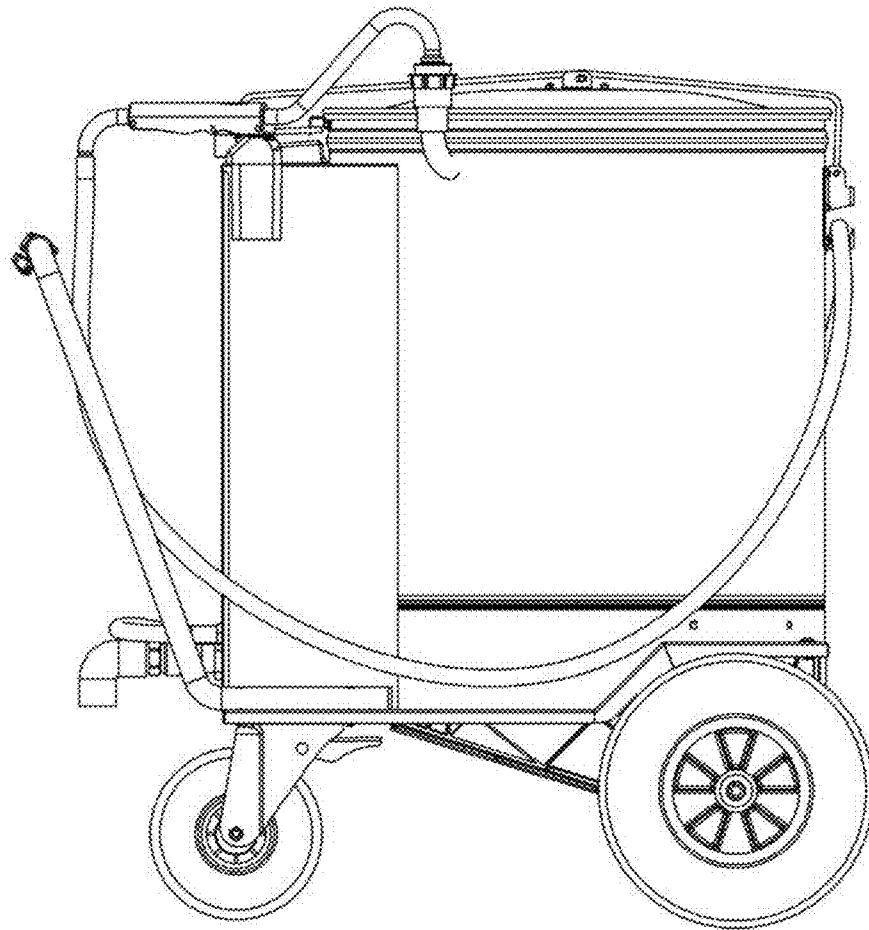
4,171,684	A *	10/1979	Herr et al.	119/521	7,191,732	B2 *	3/2007	Neal, Jr.	119/57.91
4,179,132	A *	12/1979	Rich	280/47.26	7,252,049	B2 *	8/2007	Ginsberg	119/57.91
4,187,950	A *	2/1980	Peet	414/421	D555,671	S *	11/2007	Bretzler	D15/13
D257,148	S *	9/1980	Morford	D15/13	D569,877	S *	5/2008	Tyler	D15/13
4,291,665	A *	9/1981	Bash et al.	124/56	7,387,305	B2 *	6/2008	Vanderberg et al.	280/47.26
4,313,701	A *	2/1982	Brust	410/52	7,431,313	B1 *	10/2008	Torres et al.	280/47.26
4,451,053	A *	5/1984	Alioa et al.	280/47.26	7,438,300	B1 *	10/2008	Zien et al.	280/79.5
4,487,370	A *	12/1984	Speicher	239/687	7,549,653	B2 *	6/2009	Vanderberg et al.	280/47.26
D280,625	S *	9/1985	Verive	D15/13	7,597,392	B1 *	10/2009	Gilmore	297/217.1
D282,931	S *	3/1986	Doering et al.	D15/13	D610,591	S *	2/2010	Choi et al.	D15/13
4,583,883	A *	4/1986	Johanning	406/65	7,661,685	B2 *	2/2010	Thibault	280/47.35
4,597,531	A *	7/1986	Kise	239/650	7,677,580	B2 *	3/2010	Vanderberg et al.	280/47.18
4,614,350	A *	9/1986	Bunch	280/47.24	7,677,581	B2 *	3/2010	Vanderberg et al.	280/47.26
D298,328	S *	11/1988	Keough et al.	D15/13	7,735,334	B2 *	6/2010	Johnson	62/457.4
D298,946	S *	12/1988	Schave et al.	D15/13	D619,625	S *	7/2010	Schroeder et al.	D15/13
4,846,608	A *	7/1989	Sanders	406/144	D630,802	S *	1/2011	Meritt	D30/121
4,867,381	A *	9/1989	Speicher	239/665	D640,287	S *	6/2011	Dubois et al.	D15/10
4,907,538	A *	3/1990	Helmle et al.	119/51.01	D659,340	S *	5/2012	Rouillard et al.	D34/27
D307,589	S *	5/1990	Ridgeon	D15/13	D664,402	S *	7/2012	Blakeman	D7/606
D308,526	S *	6/1990	Stalder et al.	D15/10	8,262,004	B2 *	9/2012	Gamble et al.	239/681
4,984,536	A *	1/1991	Powell et al.	119/51.04	8,276,923	B2 *	10/2012	Plesh et al.	280/47.26
D320,481	S *	10/1991	Sturner	D30/121	8,317,205	B2 *	11/2012	Udall et al.	280/47.26
5,054,693	A *	10/1991	Chow	239/681	D673,586	S *	1/2013	Truan et al.	D15/13
D327,728	S *	7/1992	Baker	D23/214	D681,684	S *	5/2013	Fornaci et al.	D15/13
5,154,317	A *	10/1992	Roppolo, III	222/66	8,443,758	B1 *	5/2013	Williams	119/57.2
5,156,102	A *	10/1992	Andersen	111/175	8,613,464	B2 *	12/2013	Blakeman	280/655
5,209,608	A *	5/1993	Edwards	406/100	8,622,660	B1 *	1/2014	Gore et al.	406/41
D340,553	S *	10/1993	Sahm, Jr.	D30/121	8,632,018	B2 *	1/2014	Kline et al.	239/146
5,333,885	A *	8/1994	Pullman	280/47.19	D701,092	S *	3/2014	Olguin	D7/628
D353,914	S *	12/1994	Sahm, Jr.	D30/121	8,757,521	B2 *	6/2014	Cichy et al.	239/683
5,380,033	A *	1/1995	Harling	280/654	8,757,639	B2 *	6/2014	Graffis	280/30
D367,071	S *	2/1996	McKay	D15/27	8,789,801	B2 *	7/2014	Newman	248/133
5,572,954	A *	11/1996	Elkins	119/502	2002/0162513	A1 *	11/2002	Winney	119/78
5,713,583	A *	2/1998	Hansen	280/47.19	2002/0185075	A1 *	12/2002	Glover et al.	119/57.91
5,785,329	A *	7/1998	Stanley	280/79.5	2004/0245734	A1 *	12/2004	Thomas	280/47.26
5,842,595	A *	12/1998	Williams	220/495.11	2005/0126501	A1 *	6/2005	Davis	119/51.01
5,860,604	A *	1/1999	Kooiker	239/684	2006/0027173	A1 *	2/2006	Overstreet	119/51.01
6,047,866	A *	4/2000	Brown	222/608	2006/0032450	A1 *	2/2006	Ginsberg	119/57.91
6,135,467	A *	10/2000	Tagariello	280/79.5	2006/0054722	A1 *	3/2006	Jones	239/663
D457,532	S *	5/2002	Jong	D15/10	2006/0112889	A1 *	6/2006	Robbins	119/51.01
6,386,557	B1 *	5/2002	Weldon	280/30	2006/0237927	A1 *	10/2006	Vanderberg et al.	280/35
6,425,714	B1 *	7/2002	Waddell	406/81	2006/0237928	A1 *	10/2006	Vanderberg et al.	280/35
6,557,598	B2 *	5/2003	Glover et al.	141/387	2008/0223072	A1 *	9/2008	Vanderberg et al.	62/457.7
6,606,966	B1 *	8/2003	Teachey et al.	119/665	2008/0223862	A1 *	9/2008	Vanderberg et al.	220/592.03
6,651,992	B1 *	11/2003	Smith, Sr.	280/47.26	2008/0282650	A1 *	11/2008	Federas	53/562
6,702,208	B1 *	3/2004	Hadler et al.	239/668	2008/0284138	A1 *	11/2008	Acosta	280/659
6,782,844	B2 *	8/2004	Winney	119/78	2009/0026721	A1 *	1/2009	Martinez	280/79.5
6,938,829	B2 *	9/2005	Doherty et al.	239/1	2009/0050063	A1 *	2/2009	Chang et al.	119/51.01
7,063,280	B1 *	6/2006	Bogart et al.	239/687	2009/0202311	A1 *	8/2009	Deal et al.	406/41
D536,219	S *	2/2007	Gearing	D7/606	2011/0023787	A1 *	2/2011	Pastoor et al.	119/51.01
					2013/0127128	A1 *	5/2013	Meidl	280/47.17

\* cited by examiner

*FIG. 1*



*FIG. 2*



*FIG. 3*

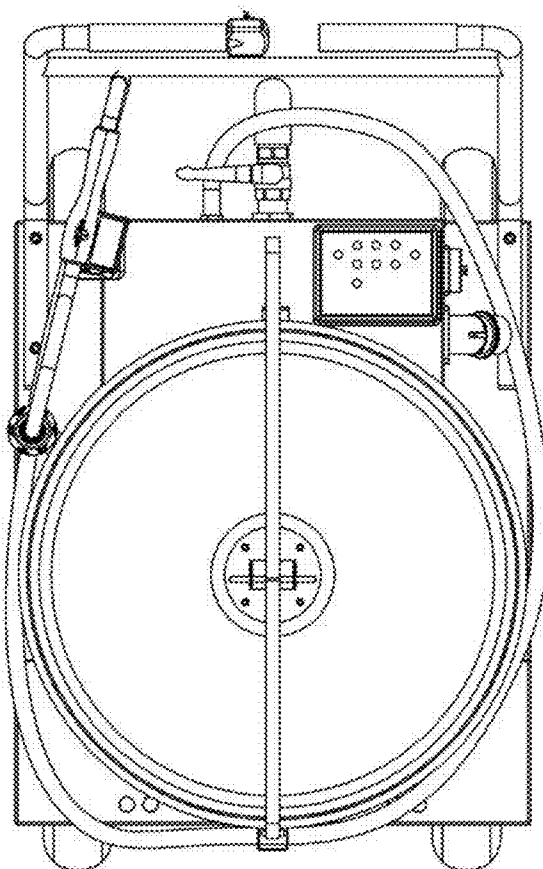


FIG. 4



FIG. 5

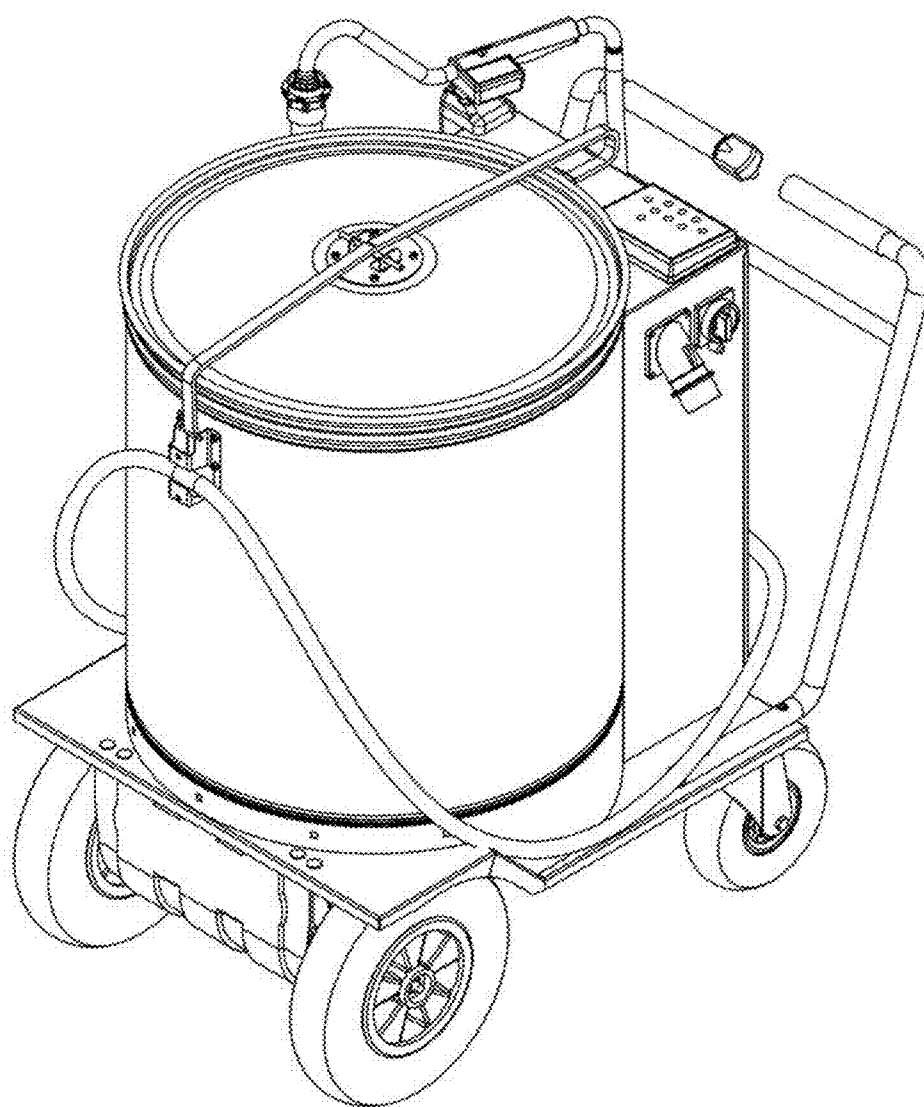
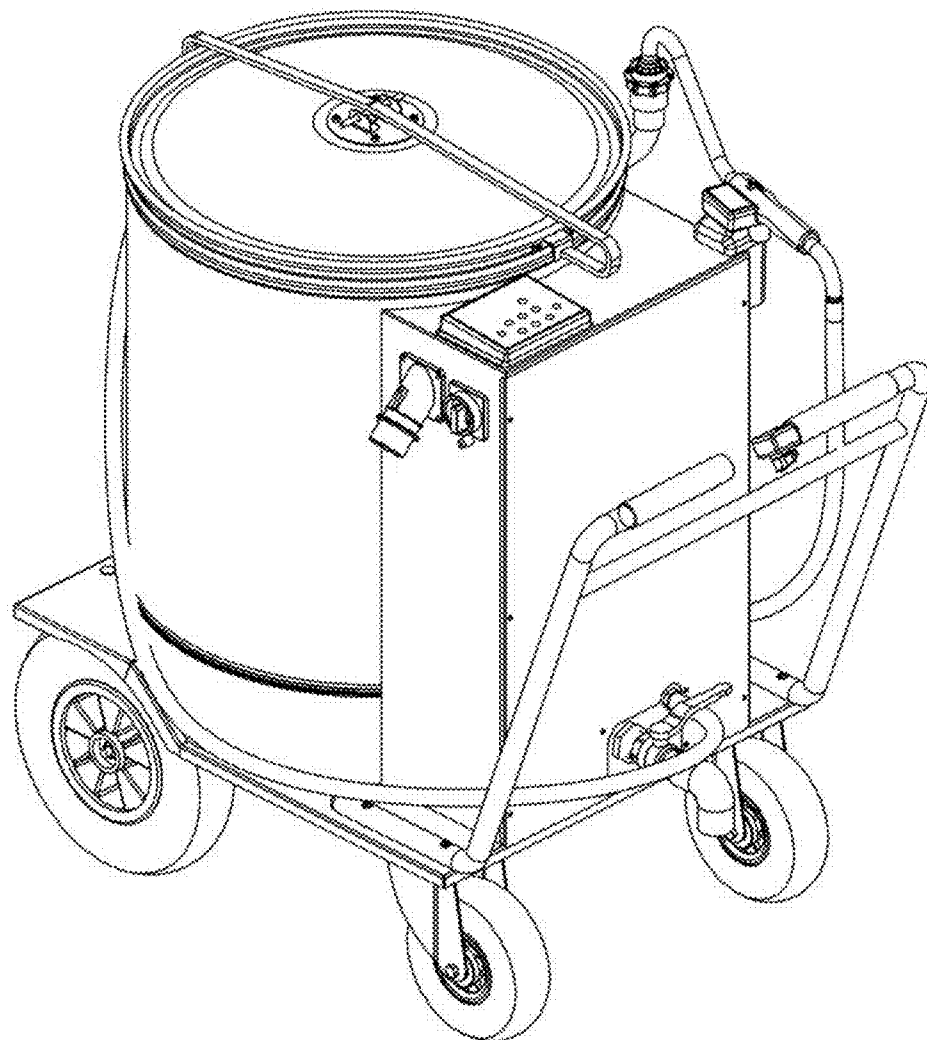


FIG. 6





*FIG. 7*

