

(12) STANDARD PATENT
(19) AUSTRALIAN PATENT OFFICE

(11) Application No. **AU 2009299569 B2**

(54) Title
Applicator for surgical clips

(51) International Patent Classification(s)
A61B 17/128 (2006.01)

(21) Application No: **2009299569**

(22) Date of Filing: **2009.10.02**

(87) WIPO No: **WO10/038030**

(30) Priority Data

(31) Number
0818101.8

(32) Date
2008.10.03

(33) Country
GB

(43) Publication Date: **2010.04.08**

(44) Accepted Journal Date: **2013.03.07**

(71) Applicant(s)
Femcare-Nikomed Limited

(72) Inventor(s)
Miles, Desmond John; Briant, John Philip; Streeter, Adrian John; John, James Daniel; McDerment, Iain Grierson; Harrison, Nick; Eddington, Robin

(74) Agent / Attorney
Freehills Patent Attorneys, MLC Centre Martin Place, SYDNEY, NSW, 2000

(56) Related Art
DE 9015046
US 6241740
US 6162207
WO 2002/080783

(12) INTERNATIONAL APPLICATION PUBLISHED UNDER THE PATENT COOPERATION TREATY (PCT)

(19) World Intellectual Property Organization
International Bureau



(43) International Publication Date
8 April 2010 (08.04.2010)

(10) International Publication Number
WO 2010/038030 A3

- (51) International Patent Classification:
A61B 17/128 (2006.01)
- (21) International Application Number:
PCT/GB2009/002347
- (22) International Filing Date:
2 October 2009 (02.10.2009)
- (25) Filing Language: English
- (26) Publication Language: English
- (30) Priority Data:
0818101.8 3 October 2008 (03.10.2008) GB
- (71) Applicant (for all designated States except US): **FEM-CARE-NIKOMED LIMITED** [GB/GB]; Stuart Court, Spursholt Place, Salisbury Road, Romsey, Hampshire SO51 6DJ (GB).
- (72) Inventors; and
- (75) Inventors/Applicants (for US only): **MILES, Desmond, John** [GB/GB]; 82 Pershore Road, Basingstoke, Hampshire RG24 9BH (GB). **BRIANT, John, Philip** [GB/GB]; 86 Jackmans Place, Letchworth SG8 1RQ (GB). **STREETER, Adrian, John** [GB/GB]; 20 Royle Close, Orton Longueville, Peterborough PE2 7LN (GB). **JOHN, James, Daniel** [AU/GB]; 34 Devonshire Road, Cambridge CB1 2BH (GB). **McDERMENT, Iain, Grierson** [GB/GB]; 7 Moat Lane, Melbourn, Hertfordshire SG8 6EH (GB). **HARRISON, Nick** [GB/GB]; 12 High Street, Oakington, Cambridge (GB). **EDDINGTON, Robin** [GB/GB]; 26 Ravenswood Gardens, Cambridge CB1 2XL (GB).
- (74) Agent: **BAKER, Colin**; Potter Clarkson LLP, Park View House, 58 The Ropewalk, Nottingham NG1 5DD (GB).
- (81) Designated States (unless otherwise indicated, for every kind of national protection available): AE, AG, AL, AM, AO, AT, AU, AZ, BA, BB, BG, BH, BR, BW, BY, BZ, CA, CH, CL, CN, CO, CR, CU, CZ, DE, DK, DM, DO, DZ, EC, EE, EG, ES, FI, GB, GD, GE, GH, GM, GT, HN, HR, HU, ID, IL, IN, IS, JP, KE, KG, KM, KN, KP, KR, KZ, LA, LC, LK, LR, LS, LT, LU, LY, MA, MD, ME, MG, MK, MN, MW, MX, MY, MZ, NA, NG, NI, NO, NZ, OM, PE, PG, PH, PL, PT, RO, RS, RU, SC, SD, SE, SG, SK, SL, SM, ST, SV, SY, TJ, TM, TN, TR, TT, TZ, UA, UG, US, UZ, VC, VN, ZA, ZM, ZW.
- (84) Designated States (unless otherwise indicated, for every kind of regional protection available): ARIPO (BW, GH, GM, KE, LS, MW, MZ, NA, SD, SL, SZ, TZ, UG, ZM, ZW), Eurasian (AM, AZ, BY, KG, KZ, MD, RU, TJ, TM), European (AT, BE, BG, CH, CY, CZ, DE, DK, EE, ES, FI, FR, GB, GR, HR, HU, IE, IS, IT, LT, LU, LV, MC, MK, MT, NL, NO, PL, PT, RO, SE, SI, SK, SM, TR), OAPI (BF, BJ, CF, CG, CI, CM, GA, GN, GQ, GW, ML, MR, NE, SN, TD, TG).
- Published:
— with international search report (Art. 21(3))
— before the expiration of the time limit for amending the claims and to be republished in the event of receipt of amendments (Rule 48.2(h))
- (88) Date of publication of the international search report:
24 June 2010

(54) Title: APPLICATOR FOR SURGICAL CLIPS

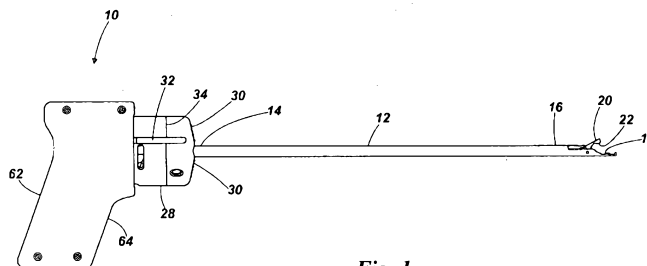


Fig. 1

(57) Abstract: A hand-operable surgical clip applicator (10) including a barrel (12) having a first end (14) and a second end (16), the second end formed to accommodate a surgical clip, a crimping lever (20) pivotally connected at the second end of the barrel, and a trigger (28) co-located with the barrel, the trigger being operable to pivot the crimping lever, the pivoting movement of the crimping lever causing the surgical clip to be urged from an open position to a closed position, wherein the trigger has an operating portion on either side of the barrel.

WO 2010/038030 A3

APPLICATOR FOR SURGICAL CLIPS

Background

This application relates to applicators for surgical clips, and more particularly to
5 applicators for the insertion and closure of surgical clips.

Such applicators are intended for single handed operation by an operating surgeon.
Examples of such applicators are described in international patent application publication
numbers WO 2005/039422 and WO-A-01/12079.

10

Such clips may be used for sterilisation or other medical, orthopaedic or surgical
purposes. An example is the "Filshie" clip which is disclosed in GB patent number
2177748.

15

Certain known applicators for such clips, as disclosed for example in WO 2005/039422,
use a pushrod and associated linkage mechanism to cause rotation of an articulated jaw
to produce compression forces on a clip and to thereby compress the clip causing it to
close, preferably with a latching action. The compression forces on the relatively slender
pushrod cause radial reaction forces and consequent friction at the interface between the
20 pushrod and the outer tube. This can result in the applicator mechanism sticking in the
closed position thus causing problems for the operating surgeon in disengaging the
applicator from the closed clip.

25

Another problem with known applicators is the need to adjust the travel of the
mechanism in order to achieve correct closure of the clip to an accurate position; such
adjustment can be costly to achieve. It is important that the surgical clip is closed to an
accurate position. If the clip is closed too tightly, the tubular anatomy may be severed,
requiring the surgeon to apply further clips to severed ends of the tubular anatomy.
Conversely, if applied clips are not closed sufficiently tightly, the tubular anatomy may
30 not be properly occluded.

A further problem with known applicators is the requirement that the applicator must be
made from expensive components in order to ensure that the surgical clips can be
closed accurately, and to be able to perform many clip closure operations. In particular,
35 in such an important piece of medical equipment, and especially one in which

mechanical forces are transmitted (e.g. the force of the surgeon pulling the trigger, which is converted to a closing force on the clip), it is important that tolerances are carefully monitored and, if need be, adjusted in the manufacturing environment. This can be expensive, and increases the manufacturing cost of the applicator.

5

Appropriate design of applicator and its constituent components can mitigate some of the issues associated with this.

Other designs of applicators can require the surgeon to apply significant force to the trigger mechanism of the applicator in order to correctly close and latch the surgical clip, which can make the applicator difficult to manipulate and operate.

10

It is often necessary for the applicator to be inserted into a cannula during "keyhole" surgery. Existing clip applicators have a "pistol" handgrip which can make them difficult to manipulate into the correct position whilst at the same time operating the applicator (in particular providing adequate manual closure force) to close the clip.

15

It is an object of the invention to provide an applicator for surgical clips which requires less force to operate and to correctly close and secure a surgical clip than known applicators.

20

Another object of the invention is to provide an applicator which can precisely close and secure surgical clips to an accurate position.

A further object of the invention is to provide an applicator which may be more precisely manipulated than known applicators, whilst also being operable to close and secure accurately a surgical clip.

25

A still further object of the invention is to provide an applicator for surgical clips which is of a simpler and more robust design to such known applicators.

30

Yet another object of the invention is to provide an applicator for surgical clips which is easier and cheaper to manufacture than existing applicators

Such an applicator may be partially or completely disposable.

35

Furthermore, it is an object of this invention to substantially overcome or at least ameliorate one or more disadvantages of existing arrangements or provide the public with a useful alternative.

5

Reference to any prior art in the specification is not, and should not be taken as, an acknowledgment or any form of suggestion that this prior art forms part of the common general knowledge in Australia or that this prior art could reasonably be expected to be ascertained, understood and regarded as relevant by a person skilled in the art.

10

As used herein, except where the context requires otherwise the term "comprise" and variations of the term, such as "comprising", "comprises" and "comprised", are not intended to exclude other additives, components, integers or steps.

15

Summary of the Invention

According to a first aspect of the invention there is provided a hand-operable surgical clip applicator, the applicator comprising a barrel having a first end and a second end, the second end formed as a first crimping surface and being able to accommodate a surgical clip; a crimping lever, the crimping lever pivotally connected to the barrel, the crimping lever having a second crimping surface and an opening peg, the second crimping surface being in opposition to the first crimping surface, the first crimping surface and the second crimping surfaces being biased away from one another; and a pushrod, slidably located within the barrel, which may abut, and in use does abut, the crimping lever and constrains the opening peg; wherein movement of the pushrod towards the second end of the barrel causes the pushrod to push the crimping lever, further causing the second crimping surface to close onto the first crimping surface, thereby in use urging a surgical clip from an open position towards a closed position.

In known applicators it is common for the second end of the pushrod to slide over the crimping lever in order to rotate the crimping lever about a hinge point and urge the surgical clip from an open position to a closed position. This can result in the crimping lever becoming jammed in the closed position due to the frictional forces between the second end of the pushrod and the crimping lever.

In the present invention, linear movement of the pushrod towards the second end of the barrel results in the second end of the pushrod pushing against the crimping lever. This causes a rotational movement of the crimping lever. During opening of the crimping surfaces, the second end of the pushrod acts to pull on the opening peg of the crimping lever to thereby cause the crimping lever to move such that the crimping surfaces are in an open position.

Preferably, movement of the pushrod away from the second end of the barrel causes the pushrod to pull the opening peg, further causing the second crimping surface to open away from the first crimping surface.

Preferably the pushrod includes a hollow portion, with a return spring being accommodated within the hollow portion.

Locating the return spring within the pushrod ensures that the surgical clip will be released from the applicator in the event that any part of the handle, trigger or actuating means should fail in use, thereby improving reliability of the applicator.

5

Preferably the barrel is formed from a single piece of material.

This can be achieved by utilising a forming process which facilitates the manufacture of the first crimping surface and the pivot on which the crimping lever is mounted from the same piece of tubing material. This avoids welding of barrel components, which has previously been necessary where the barrel and parts of the barrel have been made by machining.

10

Forming the barrel from a single piece of material reduces the number of component parts in the applicator, making it easier to assemble and lowering the manufacturing cost.

15

According to a further aspect of the invention there is provided a hand-operable surgical clip applicator, the applicator comprising a barrel, the barrel having a first end and a second end, the second end formed to accommodate a surgical clip; a crimping lever; a trigger; and a handle; wherein the handle includes a first lever having a first end and a second end, the first end of the first lever being pivotally connected at the handle, the second end of the first lever being slidably connected to the trigger; and a second lever having a first end, a second end and a centre region, the centre region of the second lever being pivotally connected to the handle, the first end of the second lever being configured to slide along the length of the first lever, the second end of the second lever being adapted to operate the crimping lever; the first lever and the second lever being configured to provide a mechanical advantage between the trigger and the crimping lever, movement of the trigger in use causing movement of the crimping lever, resulting in a surgical clip being urged from an open position to a closed position.

20

25

30

The use of a mechanism to provide a mechanical advantage such as that described above between the trigger and the crimping lever enables the manual actuation force required to be provided by the user to be reduced, thereby making the applicator easier to operate.

35

The concomitant increase in trigger travel allows the surgeon to more precisely determine the degree of trigger movement required to correctly close and secure the surgical clip.

- 5 A compound lever arrangement as described above is a simple and effective means of providing a mechanical advantage.

Preferably the barrel includes a slot at its first end, the slot accommodating the second end of the second lever.

10

The slot in the first end of the barrel allows the pushrod to be located completely within the barrel.

- 15 Preferably the first end of the pushrod includes an end cap, the second end of the second lever pressing against the end cap.

20 The end cap located at the first end of the pushrod provides an increased surface area against which the second end of the second lever presses. This eliminates the possibility that the second end of the second lever will become disengaged from the first end of the pushrod during operation of the applicator.

25 Preferably the pushrod further comprises a transfer rod and a pusher, the pusher having a stop face, the transfer rod and pusher being slidably located within the barrel, the transfer rod and pusher being releasably connected together by a bayonet joint and the pusher abutting the crimping lever and constraining the opening peg of the crimping lever.

30 By connecting the pushrod and the pusher with a bayonet joint, the pusher experiences no bending forces which may cause it to bind in the barrel.

30

Preferably, the pusher is formed with sliding surfaces at each of the first and second ends, the sliding surfaces configured to slide within the internal surface of the barrel, the portion of the pusher between the first and second ends having a smaller diameter than each of the first and second ends.

35

Such a pusher has a waisted profile which facilitates insertion of the pusher into the barrel during assembly of the applicator. The waisted feature also reduces the friction between the pusher and the barrel during operation of the applicator.

- 5 Preferably the trigger includes a visual indicator in at least one side thereof, the visual indicator providing means indicative of an intermediate trigger position.

If the clip is incompletely closed, the clip may partially latch which will prevent the clip from subsequently being correctly latched. The visual indicator in the trigger allows the
10 surgeon to partially close the clip so that it can be inserted through a cannula, without the risk of the clip becoming partially latched, prior to the clip being applied to a tubular anatomy.

Preferably the barrel is located in the handle by a barrel pin, the barrel pin being secured
15 to the handle.

The barrel pin secures the barrel directly to the handle. This feature ensures that the forces generated during the clip closure process are transmitted to the handle.

- 20 Preferably the handle includes a locating plate, the locating plate being secured to the barrel by a retaining pin, the locating plate being further secured to the handle by a locating plate fastener.

The function of the locating plate is to position the barrel securely relative to the handle.
25 This enables the surgeon to manipulate the applicator precisely.

An additional function of the locating plate is to provide a secondary positive stop to the trigger. This secondary stop provides the surgeon with clear, tactile feedback that the mechanism has reached the end of its travel. Once the mechanism has reached the end
30 of its travel, the secondary stop transmits the loads applied to the trigger directly to the handle. This prevents the mechanism from being damaged due to the application of excessive force to the trigger.

Preferably the pushrod includes a slot, the slot accommodating the retaining pin .

35

The retaining pin serves to secure the barrel to the locating plate.

Preferably the stroke of the pushrod is limited by the stop face of the pusher abutting the crimping lever.

5

By governing the stroke of the pushrod, the stop face of the pusher abutting the crimping lever provides a first end stop to the travel of the trigger and the consequent rotation of the crimping lever. This prevents the crimping lever from closing the surgical clip past the nominal closed position. Such "over-closing" can result in the clip being closed too tightly.

10

According to a further aspect of the invention there is provided a hand-operable surgical clip applicator, the applicator comprising a barrel, the barrel having a first end and a second end, the second end formed to accommodate a surgical clip; a crimping lever; and a trigger, the trigger co-located with the barrel, the trigger being adapted to operate the crimping lever, causing the surgical clip to be urged from an open position to a closed position, wherein the trigger is formed with a pressing surface disposed on each of two opposing sides of the barrel.

15

In use, the clip applicator must be manipulated into the correct position and simultaneously operated to apply the surgical clip to a tubular anatomy, such as a Fallopian tube. By arranging the trigger on either side of the barrel, the clip applicator can be more precisely positioned, whilst manually applying force to close the clip. This is because the barrel is positioned between the first and second fingers of the surgeon's hand, making it align naturally to the wrist of the surgeon, thus assisting the surgeon in precisely positioning the barrel. Such a trigger configuration may also be ergonomically more suitable, allowing the muscles of the surgeon's hand to more readily generate a closing force than a conventional trigger configuration.

20

A further advantage of this embodiment may be that as the trigger is moved into and out of the handle there is no appreciable gap between the trigger and the body of the handle. In surgical operation surgical gloves will be worn which may be snagged and torn if there were to be any substantial gap between the trigger and the handle, which could cause hygiene issues.

25

30

35

Preferably, at least one of the trigger, handle, first lever, second lever or locating plate is formed from a material which becomes molten when the applicator is exposed to the operating environment within a medical autoclave.

- 5 Conveniently, the applicator is a disposable device which is intended for use on a single patient. A desirable safety feature of the applicator is that at least one of the main operating components of the applicator is formed from a material which melts when exposed to the conditions operating environment within a medical autoclave. Thus, the applicator can be rendered unusable if the unit was to be sterilised in an autoclave.

10

Figures

There now follows a description of preferred embodiments of the invention, by way of non-limiting example, with reference being made to the accompanying drawings, in
15 which:

Figure 1 shows a perspective view of the applicator of the invention;

20 Figure 2 shows a partial sectional perspective view of the second end of the barrel of the applicator of Figure 1;

Figure 3 shows a sectional view of the handle of the applicator of Figure 1;

25 Figure 4 shows a partial sectional view of the bayonet joint of the applicator of Figure 1;

Figure 5 shows a detailed partial sectional view of the first end of the barrel of the applicator of Figure 1;

30 Figure 6 shows the operation of the first end stop of the applicator of Figure 1.

Detailed Description

With reference to the drawings, Figure 1 shows a hand-operable surgical clip applicator according to the invention.

5

The applicator 10 comprises a barrel 12, a trigger 28 and a handle 62.

The barrel 12 has a first end 14 and a second end 16. The second end of the barrel 16 is formed as a first crimping surface 18 and accommodates a surgical clip.

10

The barrel 12 is formed from a single piece of stainless steel tubing.

As shown in Figure 2, a crimping lever 20 is pivotally mounted at the second end of the barrel 16. The crimping lever 20 has a second crimping surface 22 and an opening peg 24 formed integrally.

15

The second crimping surface 22 of the crimping lever 20 and the first crimping surface 18 at the second end of the barrel 16 act as a co-operative pair of jaws to crimp the surgical clip and to urge the clip from an open position to a closed position.

20

As shown in the figures, a pushrod assembly 42 is slidably located within the barrel 12 and comprises a transfer rod 44 and a pusher 50.

The transfer rod 44 has a first end 46 and a second end 48. The pusher 50 has a first end 52 and a second end 54.

25

The second end 54 of the pusher 50 is formed with a slot 53 which constrains the opening peg 24 of the crimping lever 20 and a stop face 55. The first end 52 of the pusher 50 is operatively coupled to the second end 48 of the transfer rod 44 by a bayonet coupling 56, as shown in Figure 4.

30

The pusher 50 is waisted and is formed with sliding surfaces at each of the first and second ends 52,54 which slide along the internal surface of the barrel 12. This waisted feature facilitates assembly of the pusher 50 into the barrel; the waisted feature also

reduces the friction between the pusher 50 and the barrel 12, compared to if the whole of the pusher 50 had a consistent radius along its length.

5 The trigger 28 is co-located with the barrel 12 and includes a pressing surface 30 on each of two opposing sides of the barrel 12. Each of the pressing surfaces 30 is sized to be operable by the first and second fingers of the surgeon's hand respectively.

The trigger is preferably moulded from a thermoplastic material.

10 The trigger 28 includes a visual indicator 32 in each side of the trigger 28. The visual indicator 32 takes the form of a slot in each side of the trigger 28 with a reference mark 34 moulded into the side surface of the trigger 28.

15 The visual indicator 32 provides a visual indication of an intermediate or "half closed" trigger position. When the trigger 28 is depressed such that the reference mark 34 is aligned with the locating plate 110, the trigger 28 is "half closed". This can be important as it allows the surgeon to operate the applicator 10 to hold and partially close the surgical clip without latching the clip, thus enabling the applicator and the clip to be inserted through the cannula prior to being positioned, closed and secured.

20

The trigger 28 further includes an actuating slot 36 on each side of the trigger which is part of a lever mechanism.

25 The handle 62 is formed in two parts. The handle 62 is preferably moulded from a thermoplastic material.

30 The handle 62 includes a first lever 72 and a second lever 88. The first lever 72 has a first end 74 and a second end 76. The second lever 88 has a first end 90, a second end 92 and a centre region 94.

35

The first end 74 of the first lever 72 is pivotally connected to the handle 62 by a first pivot 80. The second end 76 of the first lever 72 is slidably connected to the trigger 28. Two actuating pegs 82 formed on opposing sides of the second end 76 of the first lever 72 engage with the actuating slot 36 of the trigger 28.

35

The first lever 72 is formed with a U-shaped cross-section. The first lever 72 is preferably moulded from a thermoplastic material.

5 The centre region 94 of the second lever 88 is pivotally connected to the handle 62 by a second pivot pin 96. The first end 90 of the second lever 88 is arranged to slide along the length of the first lever 72 with the first end 90 of the second lever 88 located within the U-shaped profile of the first lever 72. The second end 92 of the second lever 88 presses against the first end of the transfer rod 46.

10 The second lever 88 is preferably formed from stainless steel.

The first lever 72 and the second lever 88 are configured to provide a mechanical advantage between the trigger 28 and the transfer rod 46.

15 Figure 5 shows a detail view of the first end 14 of barrel 12.

A barrel pin 122 secures the first end 14 of the barrel 12 to the handle 62.

20 A locating plate 110 is secured to the first end 14 of the barrel 12 by the retaining pin 114. The retaining pin 114 may be a nut and bolt or an alternative type of fastener.

The retaining pin 114 passes through a hole in the first end 14 of the barrel 12 and through a slot 128 in the transfer rod 44.

25 The slot 128 in the transfer rod 44 allows for the linear movement of the transfer rod 44.

30 The locating plate 110 is secured to the handle by two locating plate screws 112. The locating plate screws 112 pass through a slot in the locating plate 110. The slot in the locating plate allows movement of the locating plate 110 relative to the handle 62 for calibration purposes. This calibration is described in more detail below.

An end cap 104 is located in the first end 46 of the transfer rod 44. The second end 92 of the second lever 88 presses against the end cap 104.

A return spring 130 is located within the first end 46 of the transfer rod 44 between the end cap 104 and the retaining pin 114.

Calibration

5

The closure of the surgical clips to the correct position is set by a first end stop formed by the stop face 55 of the pusher 50 abutting the crimping lever 20. The position of this first end stop is not adjustable, being governed by the dimensions of the pusher 50 and the crimping lever 20.

10

The locating plate 110 provides a second end stop feature by limiting movement of the trigger 28. The position of this second end stop must be adjusted to match the first end stop position, during the assembly of the applicator.

15

The second end stop feature provides the surgeon with clear, tactile feedback that the trigger has been depressed sufficiently to fully close and secure the surgical clip.

20

An additional benefit of the second end stop is that it limits the force which the surgeon can apply via the trigger to the compound lever mechanism, which might otherwise damage the handle or other parts of the applicator.

25

The adjustment of the position of the second end stop is made by moving the locating plate 110 within the handle 62 until the second end stop position matches the first end stop position. The locating plate 110 is then secured to the handle 62 with the locating plate screws 112.

Operation

30

The applicator 10 is intended to be used single-handedly. The trigger 28 is intended to be operated by the first and second fingers with the handle 62 accommodating the remaining fingers.

35

When the trigger 28 is depressed it slides into the handle 62. There is minimal clearance between the trigger 28 and the handle 62. When the applicator is being used, the surgeon will be wearing surgical gloves. Any substantial gap between the trigger 28 and

the handle 62 may result in the surgical glove becoming trapped and torn, which could create hygiene problems.

5 Movement of the trigger 28 results in the actuating pegs 82 on the second end 76 of the first lever 72 being moved by the actuating slot 36 in the trigger 28.

10 As the first lever 72 rotates around the first pivot pin 80, the first end 90 of the second lever 88 slides along the length of the actuating surface 78 of the first lever 72, thereby rotating the second lever 88 about the second pivot pin 96.

15 Rotational movement of the second lever 88 causes the second end 92 of the second lever 88 to press against the end cap 104 of the transfer rod 44 causing linear movement of the transfer rod 44.

20 Linear movement of the transfer rod 44 and pusher 50 towards the second end 16 of the barrel 12 causes the second end 54 of the pusher 50 to push against the crimping lever 20 causing rotational movement about the pivot point of the crimping lever 20. This movement of the crimping lever 20 results in the second crimping surface 22 of the crimping lever 20 closing onto the first crimping surface 18 at the second end 16 of the barrel 12 resulting in the surgical clip being urged from an open position to a closed position.

25 When the second crimping surface 22 reaches a position relative to the first crimping surface 18 in which the surgical clip is closed to the correct position, a first end stop limits further movement of the crimping level 20. The first end stop is formed by the stop face 55 of the pusher 50 abutting the crimping lever 20. The first end stop ensures that the surgical clip is precisely closed to the correct position and is not "over-closed".

30 Additional pressure applied to the trigger after the first end stop has been actuated results in a second end stop coming into operation. The second end stop is formed by the trigger directly contacting the locating plate, thus further limiting the stroke of the mechanism.

35 When the trigger 28 is released, the return spring 130 urges the transfer rod 44 and pusher 50 away from the second end 16 of the barrel 12. Linear movement of the

transfer rod 44 and pusher 50 away from the second end 16 of the barrel 12 causes the slot 53 at the second end 54 of the pusher 50 to pull against the opening peg 24 of the crimping lever 20 causing rotational movement about the pivot point of the crimping lever 20. This movement of the crimping lever 20 results in the second crimping surface 22 of the crimping lever 20 opening away from the first crimping surface 18 at the second end 16 of the barrel 12.

CLAIMS

1. A hand-operable surgical clip applicator, the applicator comprising:
- 5 a barrel, the barrel having a first end and a second end, the second end formed to accommodate a surgical clip;
- a crimping lever;
- a trigger; and
- a handle;
- 10 wherein the handle includes;
- a first lever having a first end and a second end, the first end of the first lever being pivotally connected at the handle, the second end of the first lever being slidably connected to the trigger;
- a second lever having a first end, a second end and a centre region, the
- 15 centre region of the second lever being pivotally connected to the handle, the first end of the second lever being configured to slide along the length of the first lever, the second end of the second lever being adapted to operate the crimping lever;
- the first lever and the second lever being configured to provide a
- 20 mechanical advantage between the trigger and the crimping lever, movement of the trigger in use causing movement of the crimping lever, resulting in a surgical clip being urged from an open position to a closed position; and
- a locating plate, the locating plate being secured to the barrel by a retaining pin, the locating plate being further secured to the handle by a locating
- 25 plate fastener.
2. An applicator as claimed in Claim 1 in which the barrel includes a slot at its first end, the slot accommodating the second end of the second lever.
- 30 3. An applicator as claimed in Claim 1 in which the trigger includes a visual indicator in at least one side thereof, the visual indicator providing means indicative of an intermediate trigger position.
4. An applicator as claimed in Claim 3 in which the barrel is located in the handle by
- 35 a barrel pin, the barrel pin being secured to the handle.

- 5
5. An applicator as claimed in any one of the preceding claims, in which at least one of the trigger, handle, first lever, second lever or locating plate is formed from a material which becomes molten when the applicator is exposed to the operating environment within a medical autoclave.
 6. A hand-operable surgical clip applicator including a locating plate substantially as herein described with reference to Figure 5 of the accompanying drawings.

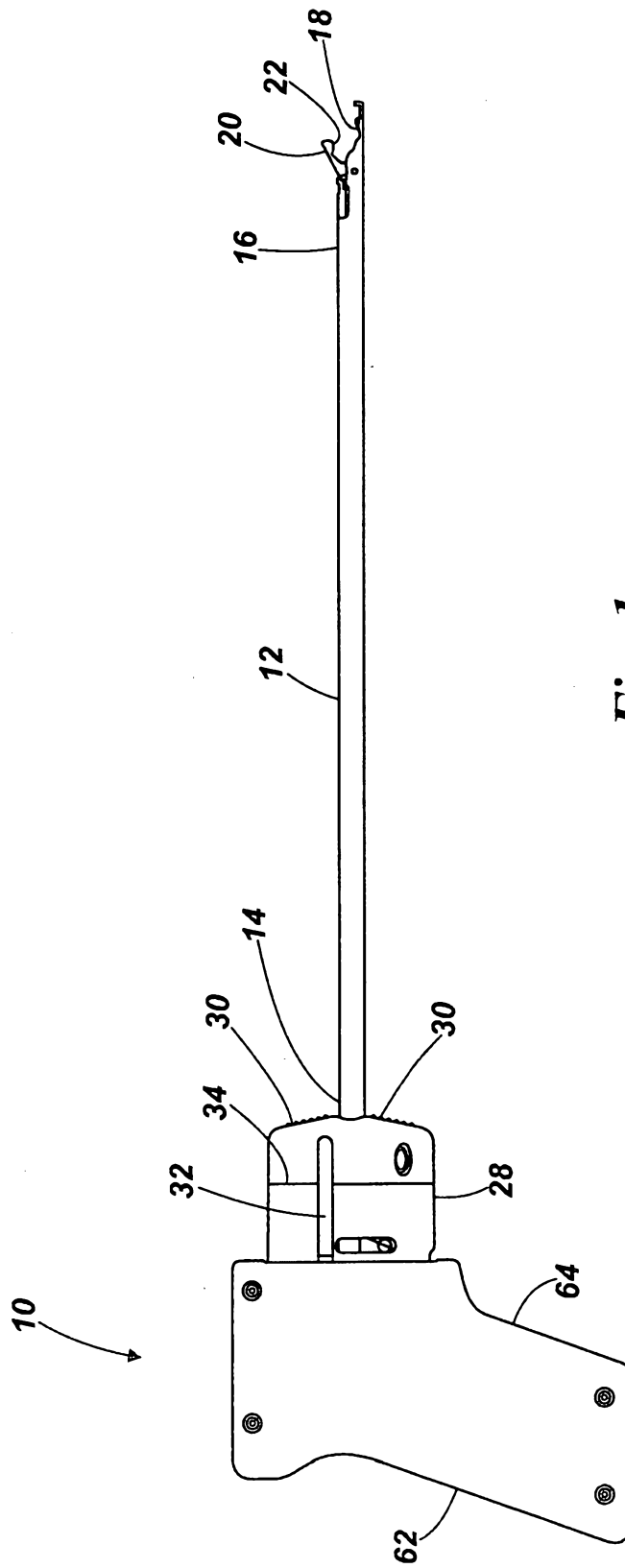


Fig. 1

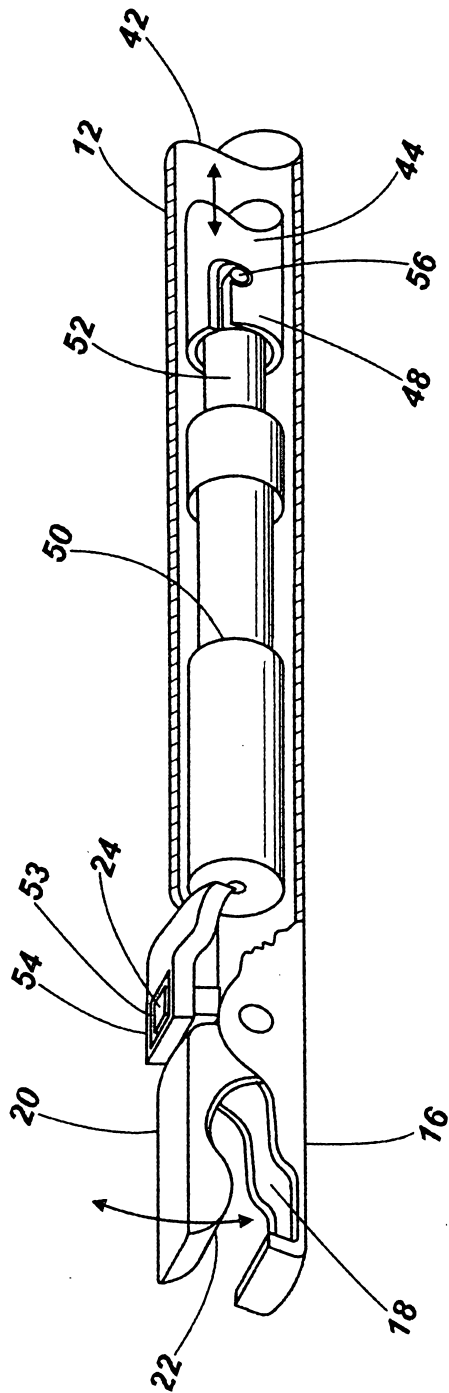


Fig. 2

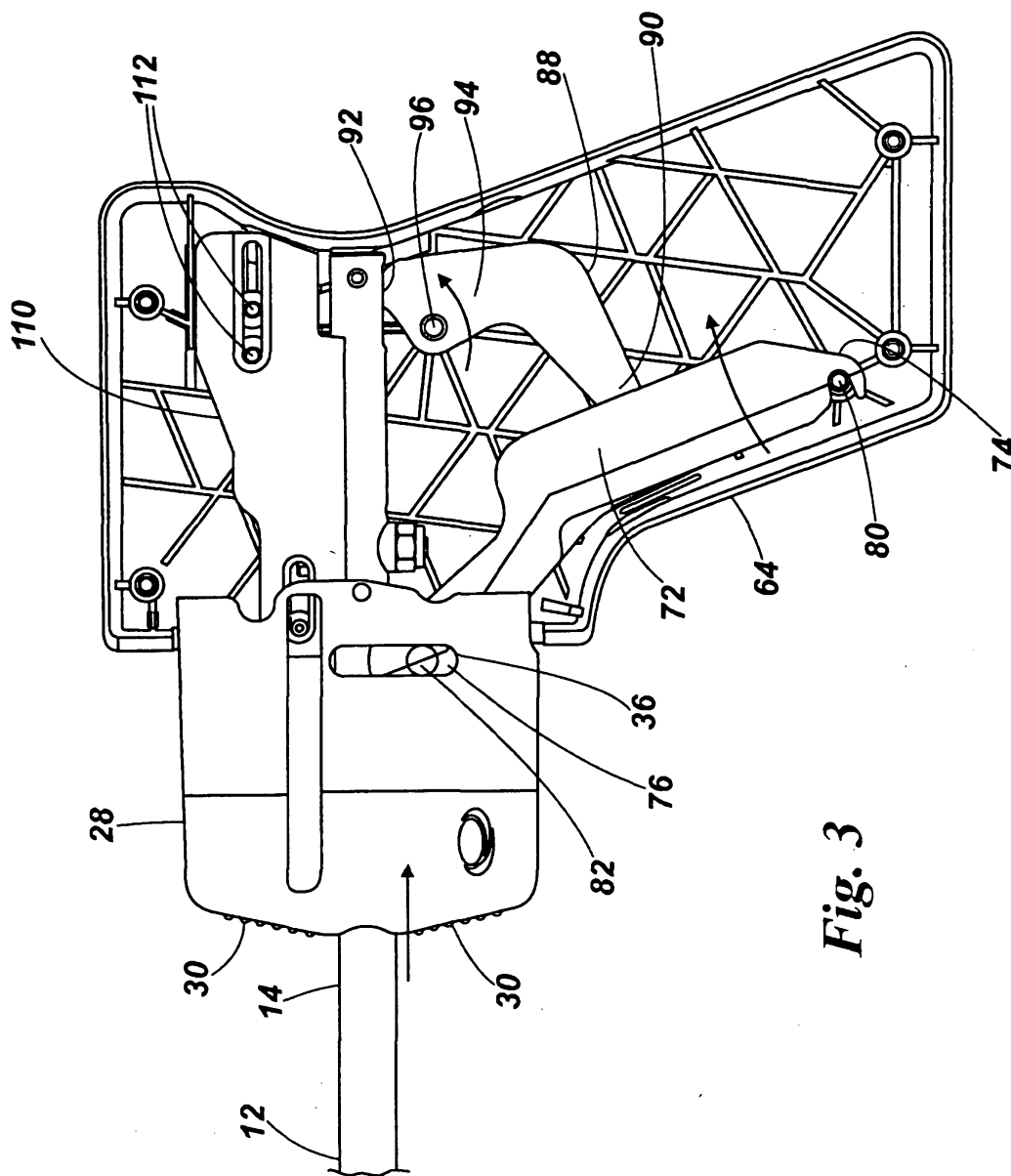


Fig. 3

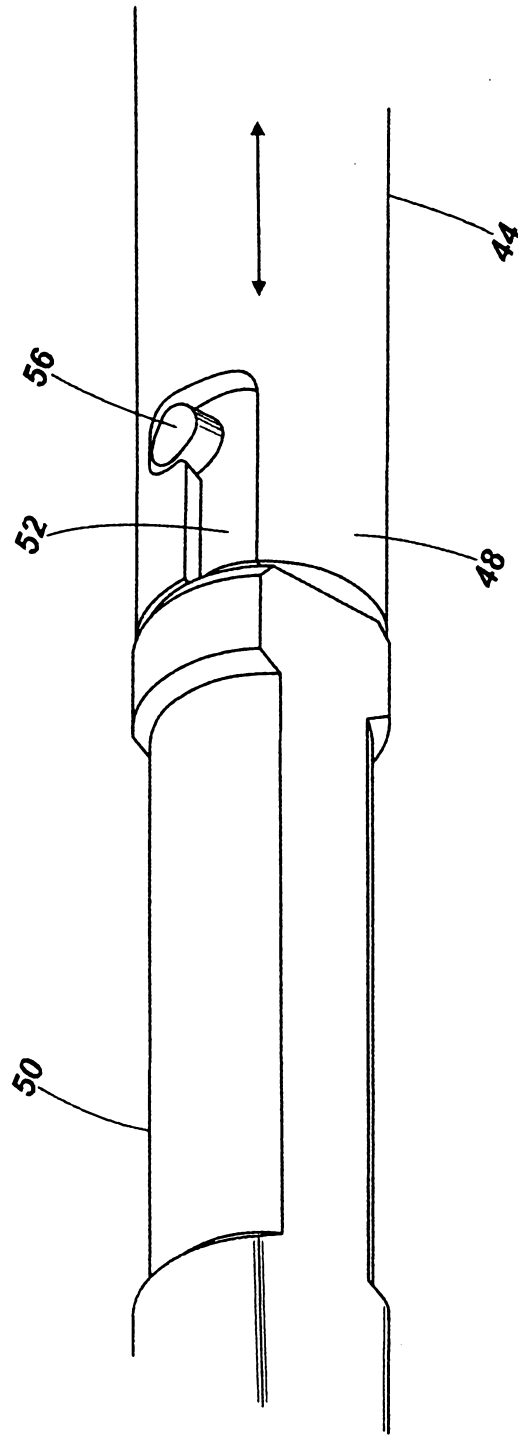


Fig. 4

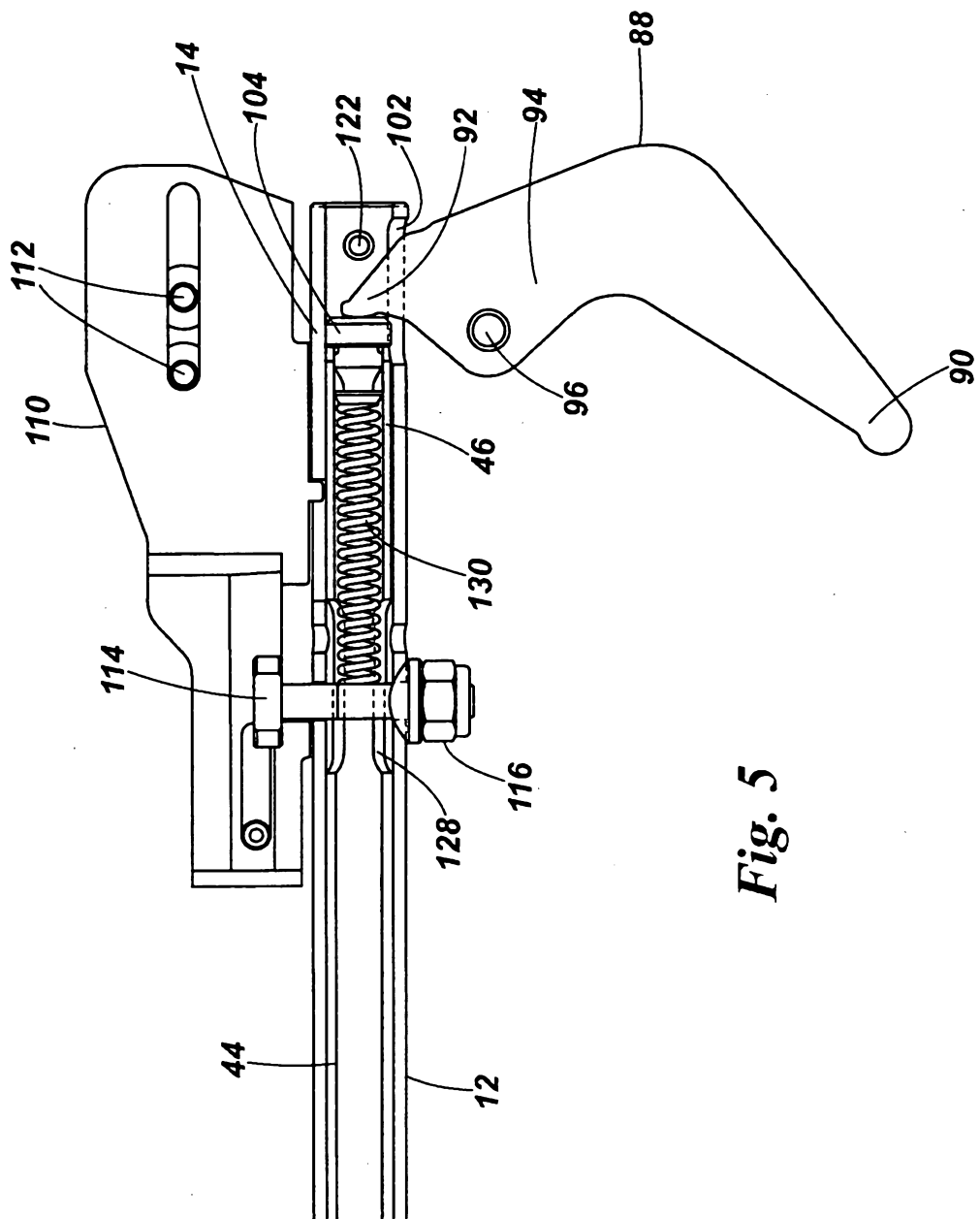


Fig. 5

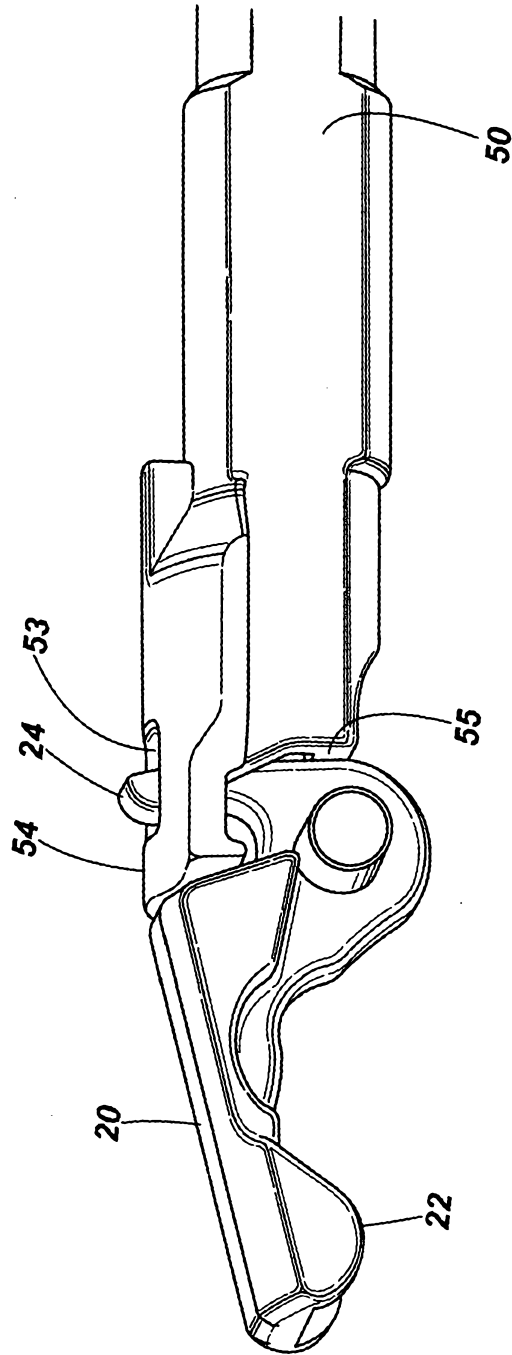


Fig. 6