



US00D458317S

(12) **United States Design Patent** (10) **Patent No.:** **US D458,317 S**  
**Zweiback et al.** (45) **Date of Patent:** **\*\* Jun. 4, 2002**

- (54) **PLUSH TOY SPEED BOAT HAND PUPPET**
- (75) Inventors: **Steven G. Zweiback**, Chicago; **Bryan Vanderwarker**, Evanston, both of IL (US)
- (73) Assignee: **Skipping Stone, Inc.**, Chicago, IL (US)
- (\*\*) Term: **14 Years**
- (21) Appl. No.: **29/148,720**
- (22) Filed: **Sep. 26, 2001**
- (51) **LOC (7) Cl.** ..... **21-01**
- (52) **U.S. Cl.** ..... **D21/542**
- (58) **Field of Search** ..... D21/542-547,  
D21/398, 419-435, 580, 587-588; 446/160;  
280/87.01, 87.021, 828, 1.13

- (56) **References Cited**
- U.S. PATENT DOCUMENTS**
- 4,723,930 A \* 2/1988 Freese ..... 446/160
- D294,510 S \* 3/1988 Michaelson ..... D21/542
- 4,846,751 A \* 7/1989 Kosoris ..... 446/160
- D358,431 S \* 5/1995 Cacciola ..... D21/542
- D368,745 S \* 4/1996 Wong ..... D21/542
- D430,236 S \* 8/2000 Reithmeier ..... D21/398

\* cited by examiner

*Primary Examiner*—Raphael Barkai  
(74) *Attorney, Agent, or Firm*—Wallenstein & Wagner, Ltd.

(57) **CLAIM**

We claim the ornamental design for a plush toy speed boat hand puppet, as shown and described.

**DESCRIPTION**

FIG. 1 is a perspective view of a plush toy speed boat hand puppet according to the new design.

FIG. 2 is a side view of the plush toy speed boat hand puppet shown in FIG. 1, the opposite side view being identical thereto.

FIG. 3 is a top view of the plush toy speed boat hand puppet shown in FIG. 1.

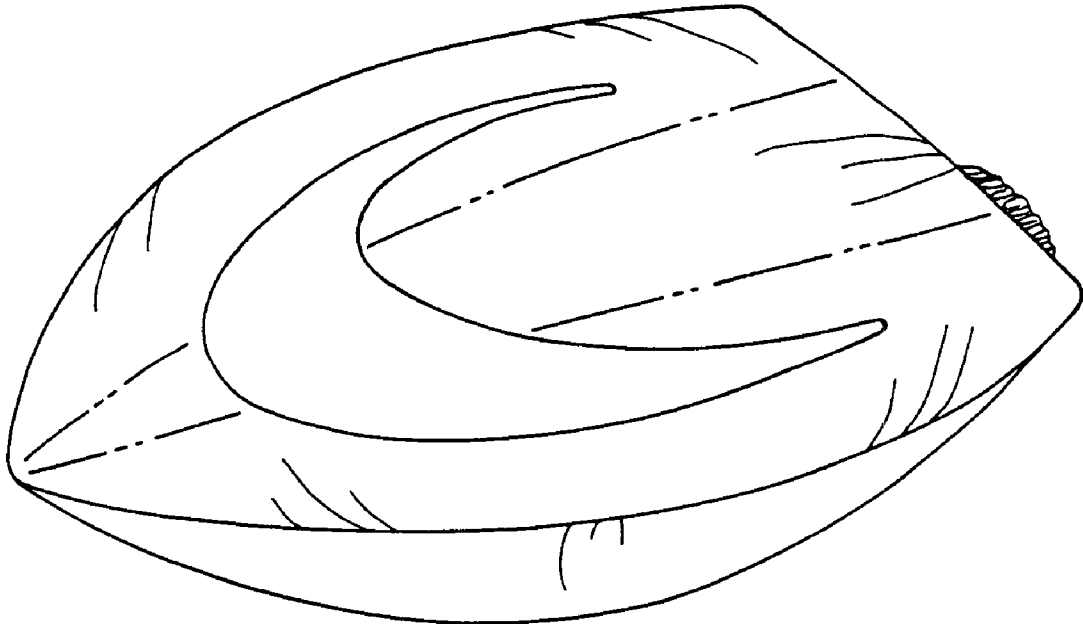
FIG. 4 is a bottom view of the plush toy speed boat hand puppet shown in FIG. 1.

FIG. 5 is a front view of the plush toy speed boat hand puppet shown in FIG. 1; and,

FIG. 6 is a back view of the plush toy speed boat hand puppet shown in FIG. 1.

Features shown in broken lines in the drawings are not part of the claim.

**1 Claim, 1 Drawing Sheet**



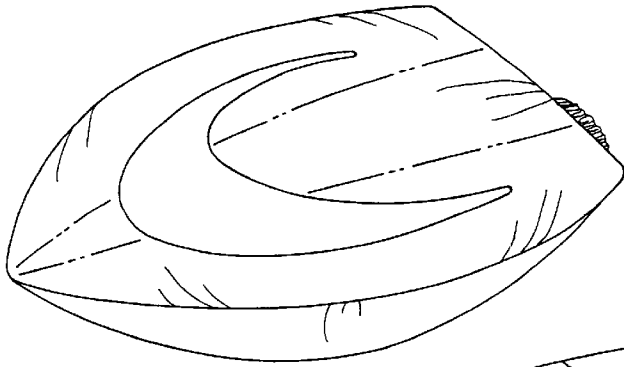


FIG. 1

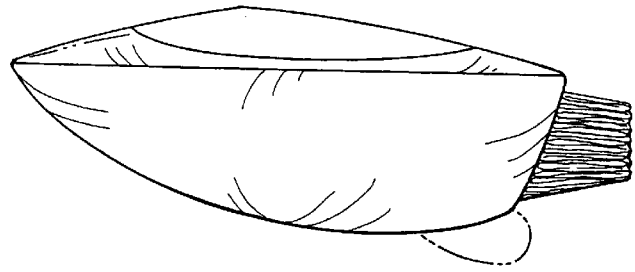


FIG. 2

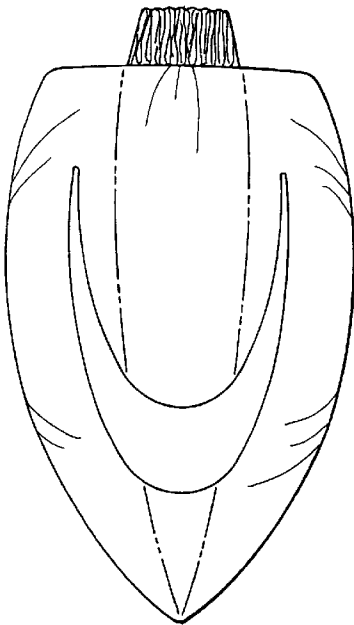


FIG. 3

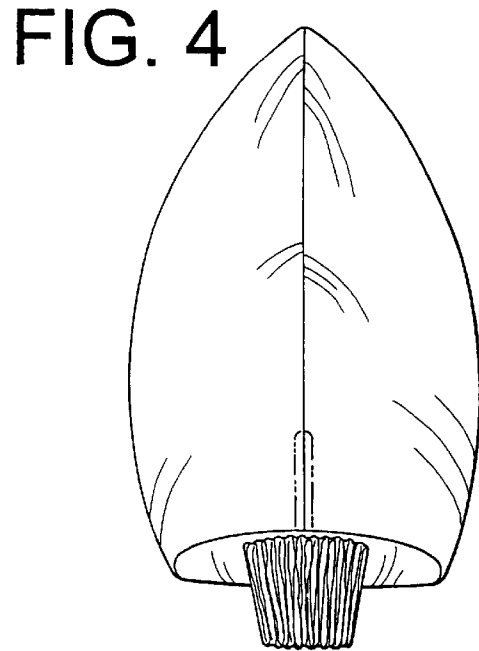


FIG. 4

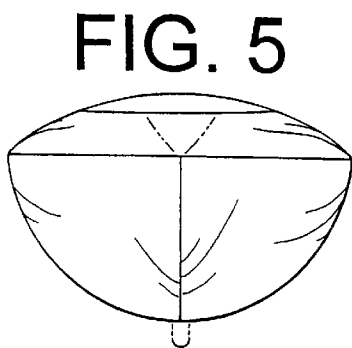


FIG. 5

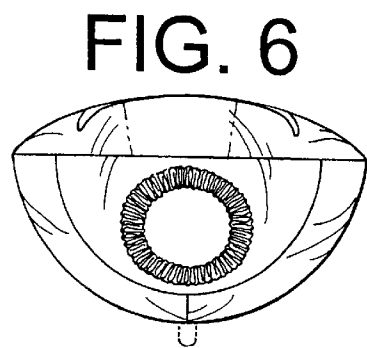


FIG. 6