



US00D720123S

(12) **United States Design Patent**
Frydlewski

(10) **Patent No.:** **US D720,123 S**

(45) **Date of Patent:** **** Dec. 30, 2014**

(54) **EYELET COVER**

(71) Applicant: **Hickies, Inc.**, Brooklyn, NY (US)
(72) Inventor: **Gaston Frydlewski**, Brooklyn, NY (US)
(73) Assignee: **Hickies, Inc.**, Brooklyn, NY (US)

(**) Term: **14 Years**

(21) Appl. No.: **29/487,338**

(22) Filed: **Apr. 8, 2014**

(51) **LOC (10) Cl.** **02-04**

(52) **U.S. Cl.**
USPC **D2/946**

(58) **Field of Classification Search**
USPC D2/896, 943, 944, 946, 973, 978;
24/713.6–713.8
See application file for complete search history.

(56) **References Cited**

U.S. PATENT DOCUMENTS

| | | | | |
|-------------------|---------|----------|-------|----------|
| D25,117 S * | 2/1896 | Freeborn | | D11/220 |
| 762,036 A * | 6/1904 | Arturo | | 24/715.2 |
| 1,381,949 A * | 6/1921 | Deusen | | 24/714.5 |
| D362,176 S * | 9/1995 | Solbeck | | D8/382 |
| D421,677 S * | 3/2000 | Silagy | | D2/978 |
| D578,299 S * | 10/2008 | Dennis | | D2/976 |
| 2012/0110803 A1 * | 5/2012 | Hasegawa | | 24/713.6 |

OTHER PUBLICATIONS

Hillman Split Rivets, announced Dec. 2010, [online], site visited Nov. 3, 2014. Available from Internet, <URL: <http://www.sears.com>>.*

* cited by examiner

Primary Examiner — Stella Reid

Assistant Examiner — Janice Lim

(74) *Attorney, Agent, or Firm* — Venable LLP; Steven J. Schwarz; Trent B. Ostler

(57) **CLAIM**

The ornamental design for an eyelet cover, as shown and described.

DESCRIPTION

FIG. 1 is a top perspective view of an eyelet cover, showing my new design.

FIG. 2 is a front elevation view of FIG. 1, the rear elevation view being a mirror image thereof.

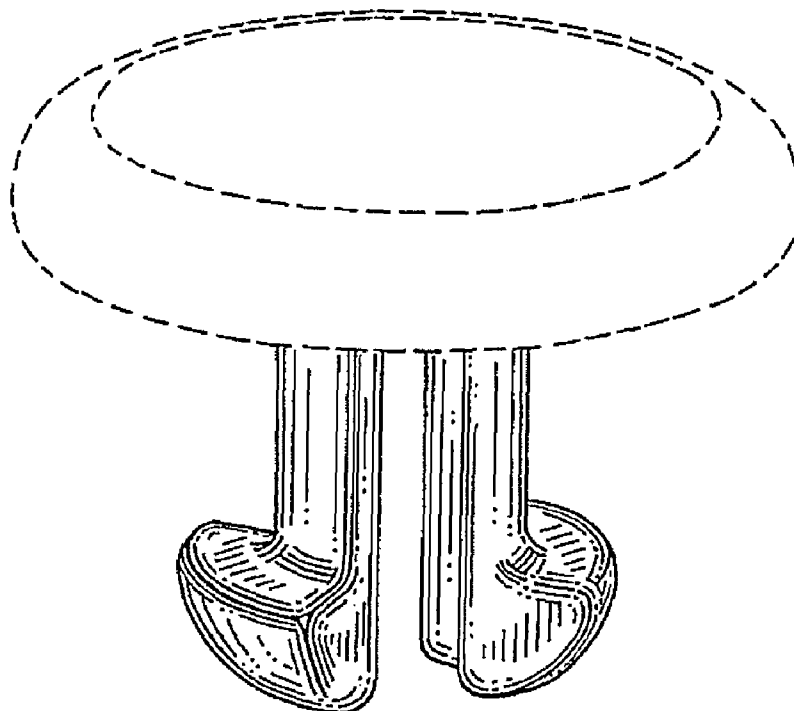
FIG. 3 is a left side elevation view of FIG. 1, the right side elevation view being a mirror image thereof.

FIG. 4 is a bottom perspective view of FIG. 1; and,

FIG. 5 is a bottom plan view of FIG. 1.

The broken lines showing the upper round portion in FIGS. 1-5 are included for the purpose of showing unclaimed subject matter only and form no part of the claimed design.

1 Claim, 2 Drawing Sheets



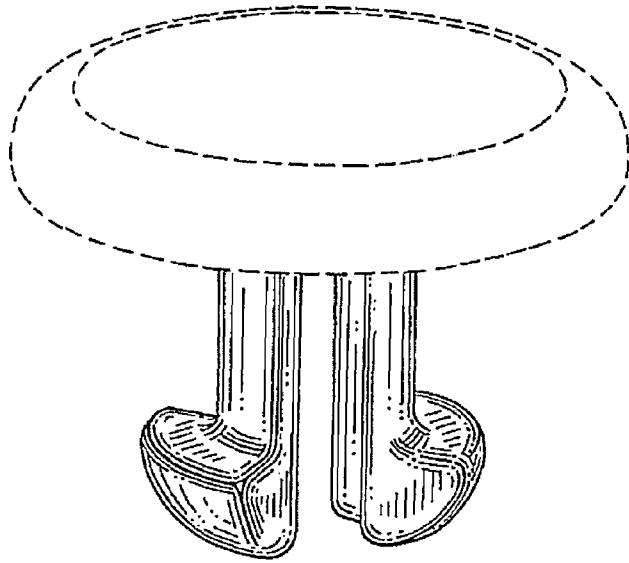


FIG. 1

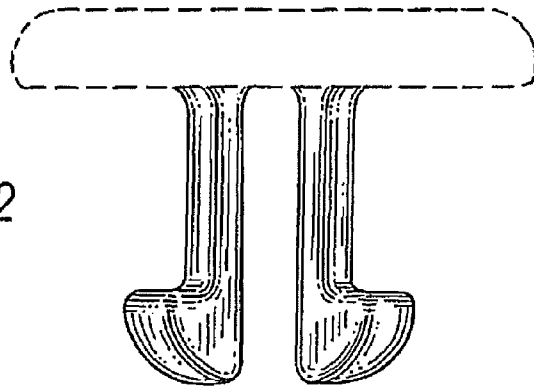


FIG. 2

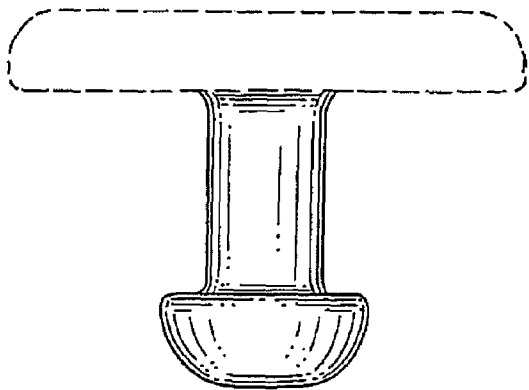


FIG. 3

FIG. 4

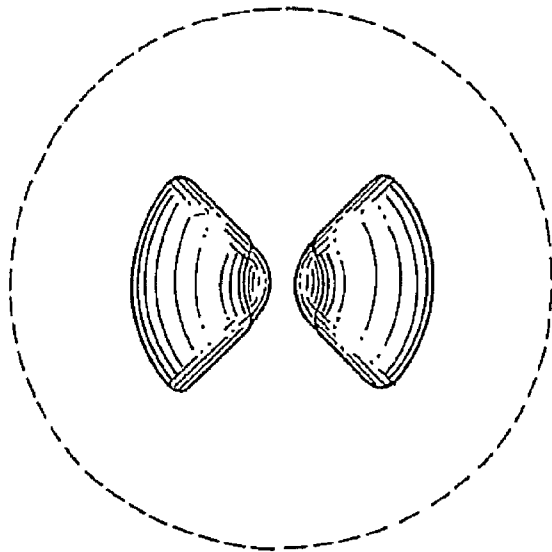
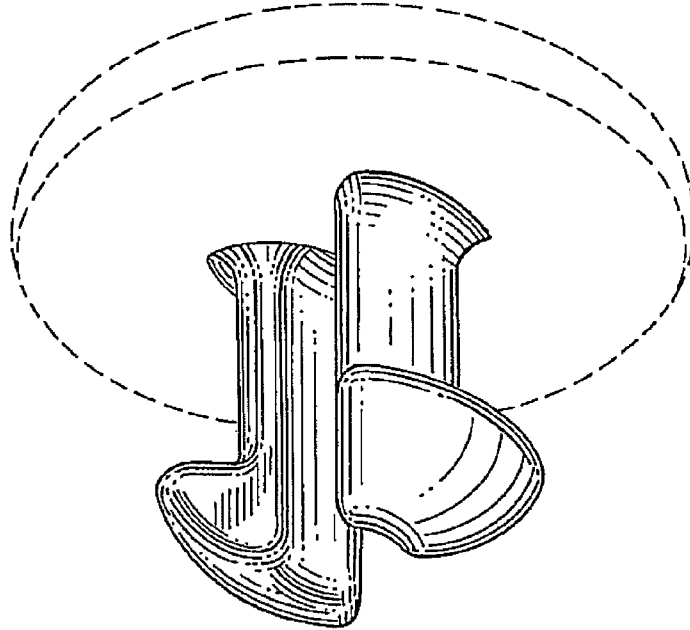


FIG. 5