



(12) **United States Design Patent** (10) **Patent No.:** **US D856,280 S**
Babu et al. (45) **Date of Patent:** **** Aug. 13, 2019**

(54) **TERMINATION TOOL**
 (71) Applicant: **Panduit Corp.**, Tinley Park, IL (US)
 (72) Inventors: **Surendra Chitti Babu**, New Lenox, IL (US); **Scott R. Hartman**, Oak Forest, IL (US)
 (73) Assignee: **Panduit Corp.**, Tinley Park, IL (US)
 (**) Term: **15 Years**
 (21) Appl. No.: **29/605,373**

9,109,978 B2 * 8/2015 Liang G01M 11/088
 D793,257 S * 8/2017 Gao D10/78
 9,954,308 B2 * 4/2018 Sato H01R 13/5845
 2015/0063756 A1 3/2015 Hallett et al.
 2015/0063757 A1 3/2015 Leyva, Jr. et al.
 2015/0086166 A1 * 3/2015 Coate G02B 6/4422
 385/95
 2016/0033325 A1 2/2016 Fusco et al.
 2016/0261054 A1 * 9/2016 Sato H01R 4/70
 2016/0344115 A1 * 11/2016 Miyakawa H01R 4/70
 2018/0024293 A1 * 1/2018 Stronkowsky G02B 6/3833
 2018/0058980 A1 * 3/2018 Babu G02B 6/385
 2018/0084660 A1 * 3/2018 Meguro H05K 5/0217

(22) Filed: **May 25, 2017**
 (51) **LOC (12) Cl.** **13-02**
 (52) **U.S. Cl.**
 USPC **D13/120; D10/78**
 (58) **Field of Classification Search**
 USPC D13/103, 108, 120, 151-155; D8/499;
 D14/137, 299; D15/199; D10/78
 CPC G01M 11/08; G02B 6/255; G01B 21/00
 See application file for complete search history.

FOREIGN PATENT DOCUMENTS

EP 590868 A1 4/1994
 EP 2259112 A1 12/2010
 WO WO 01/61317 A1 8/2001

* cited by examiner

Primary Examiner — Jennifer Rivard
Assistant Examiner — Alison M Ofstun
 (74) *Attorney, Agent, or Firm* — Christopher S. Clancy;
 James H. Williams; Christopher K. Marlow

(56) **References Cited**

U.S. PATENT DOCUMENTS

5,138,690 A * 8/1992 Cox G01M 11/35
 385/137
 5,519,795 A * 5/1996 Bender G02B 6/4201
 385/13
 D390,554 S * 2/1998 Larson D14/137
 5,742,715 A * 4/1998 Boehlke G01M 11/35
 250/227.15
 7,192,195 B2 3/2007 Turner
 D552,496 S * 10/2007 Janky D10/78
 D601,047 S * 9/2009 Chang D10/78
 7,680,384 B2 3/2010 Billman et al.
 RE42,094 E 2/2011 Barnes et al.
 8,094,988 B2 1/2012 Billman et al.

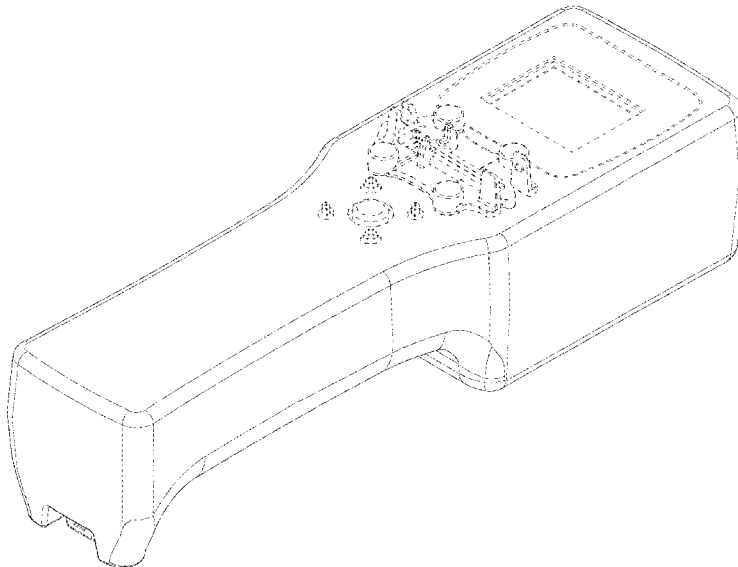
(57) **CLAIM**

The ornamental design for a termination tool, as shown and described.

DESCRIPTION

FIG. 1 is a top isometric view of a termination tool, showing our new design;
 FIG. 2 is a top view thereof;
 FIG. 3 is a side view thereof; and,
 FIG. 4 is a bottom perspective view thereof.
 The broken lines in the figures represent portions of the article which form no part of the claimed design.

1 Claim, 3 Drawing Sheets



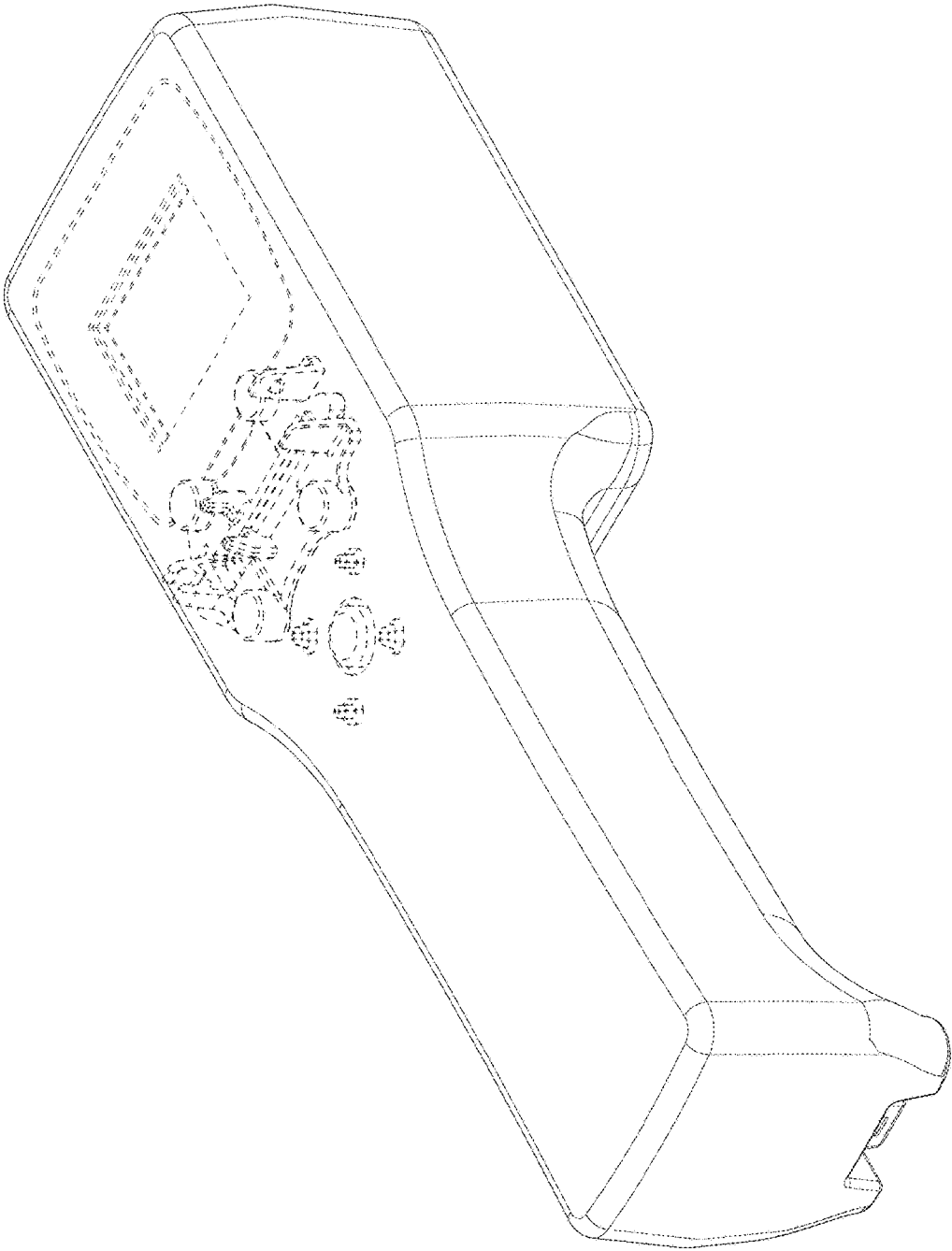


FIG.1

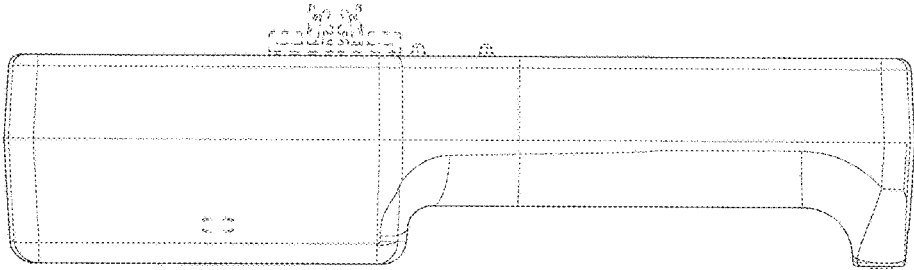


FIG.3

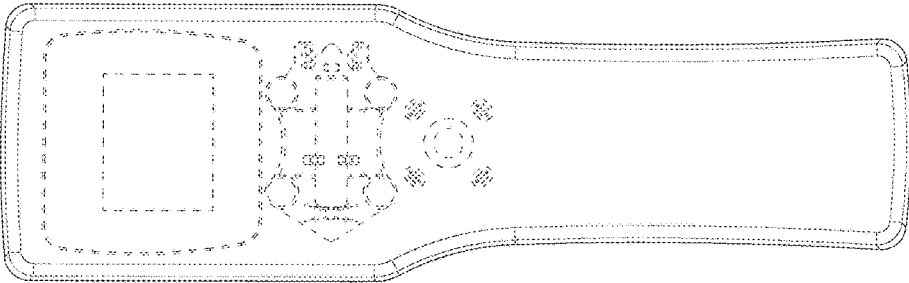


FIG.2

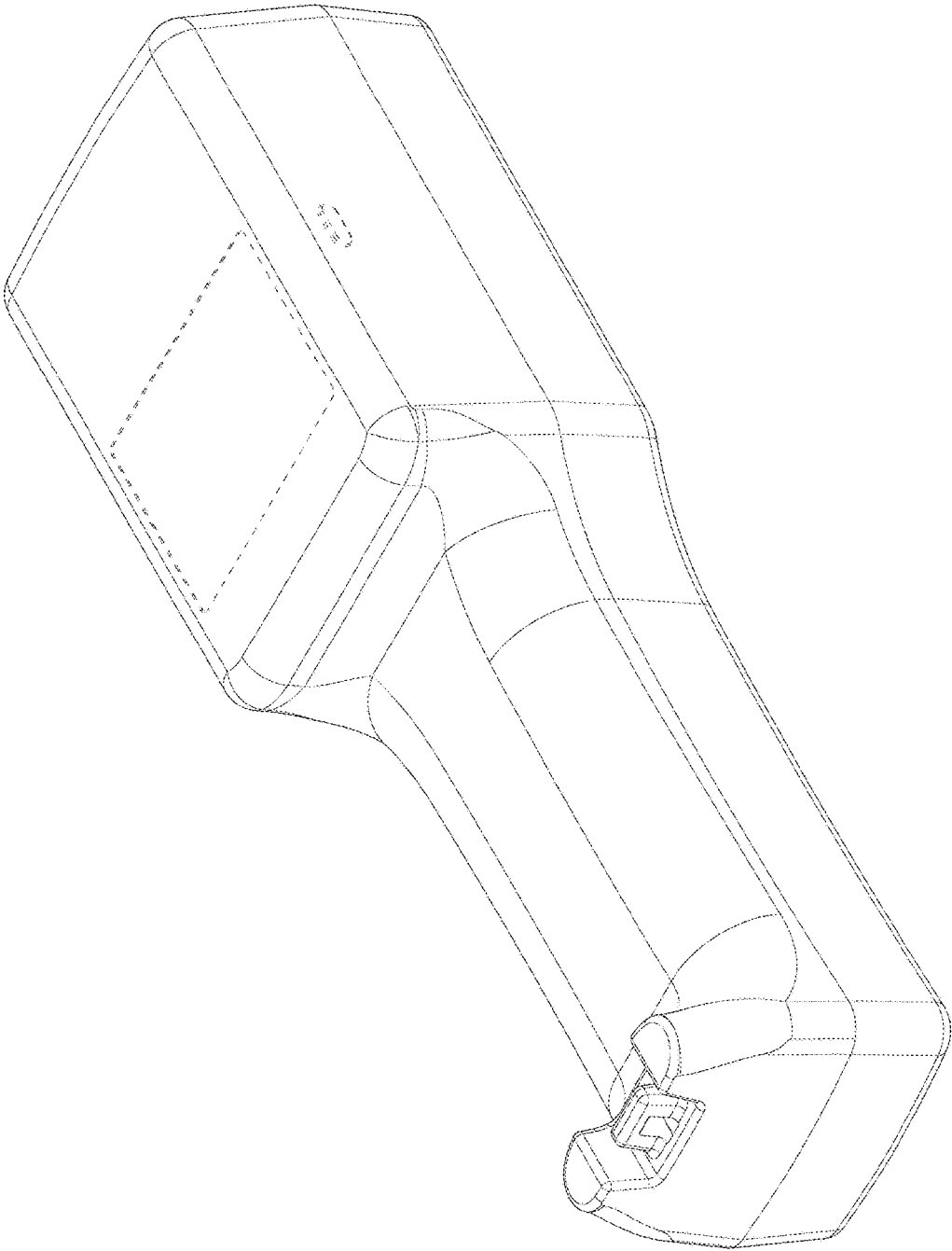


FIG.4