



US00D345415S

United States Patent [19]

[11] Patent Number: **Des. 345,415**

Bremer

[45] Date of Patent: **** Mar. 22, 1994**

[54] **RESISTIVE WATER HEATER ELEMENT**

[76] Inventor: **Richard W. Bremer, P.O. Box 1395, Hemet, Calif. 92343**

[**] Term: **14 Years**

[21] Appl. No.: **641,355**

[22] Filed: **Jan. 15, 1991**

[52] U.S. Cl. **D23/322**

[58] Field of Search 392/308, 370, 392, 430, 392/441, 451, 453, 455, 485; D23/318-322

[56] **References Cited**

U.S. PATENT DOCUMENTS

1,323,643	4/1919	Mulvany et al.	451/392
1,408,634	3/1922	Passmore et al.	308/392
1,815,088	7/1931	Allen et al.	310/392
1,879,880	9/1932	Lindsey	38/126
1,937,059	11/1933	Fountain	219/38
2,304,302	12/1942	Crupi	219/37
3,527,260	9/1970	Kimmel	122/136
3,687,128	8/1972	Williams	126/350 R
3,738,351	6/1973	Watts	126/350 R
3,768,458	10/1973	Williams	126/350 R
3,802,397	4/1974	Wariner	122/136
3,943,328	3/1976	Cunningham	219/335
4,093,816	6/1978	Case	13/2 R
4,152,578	5/1979	Jacobs	219/336
4,240,362	12/1980	Wigdahl	110/234

4,310,746	1/1982	Elkern et al.	219/326
4,401,101	8/1983	Lunde	126/367
4,587,401	5/1986	Ekman	392/308

FOREIGN PATENT DOCUMENTS

2244926 3/1974 Fed. Rep. of Germany .

OTHER PUBLICATIONS

Trailer Life, p. 103, Hot Rod ©, upper right side of page.

Primary Examiner—Wallace R. Burke
Assistant Examiner—Lisa Lichtenstein
Attorney, Agent, or Firm—Bernhard Kreten

[57] **CLAIM**

The ornamental design for a resistive water heater element, as shown and described.

DESCRIPTION

FIG. 1 is a side view of a resistive water heater element showing my new design, wherein both sides of the resistive water heater element are the same; FIG. 2 is a top view thereof; FIG. 3 is a bottom view thereof; and, FIG. 4 is a perspective view in the intended environment. The broken-line showing of environmental structure in FIG. 4 is for illustrative purposes only and forms no part of the claimed design.

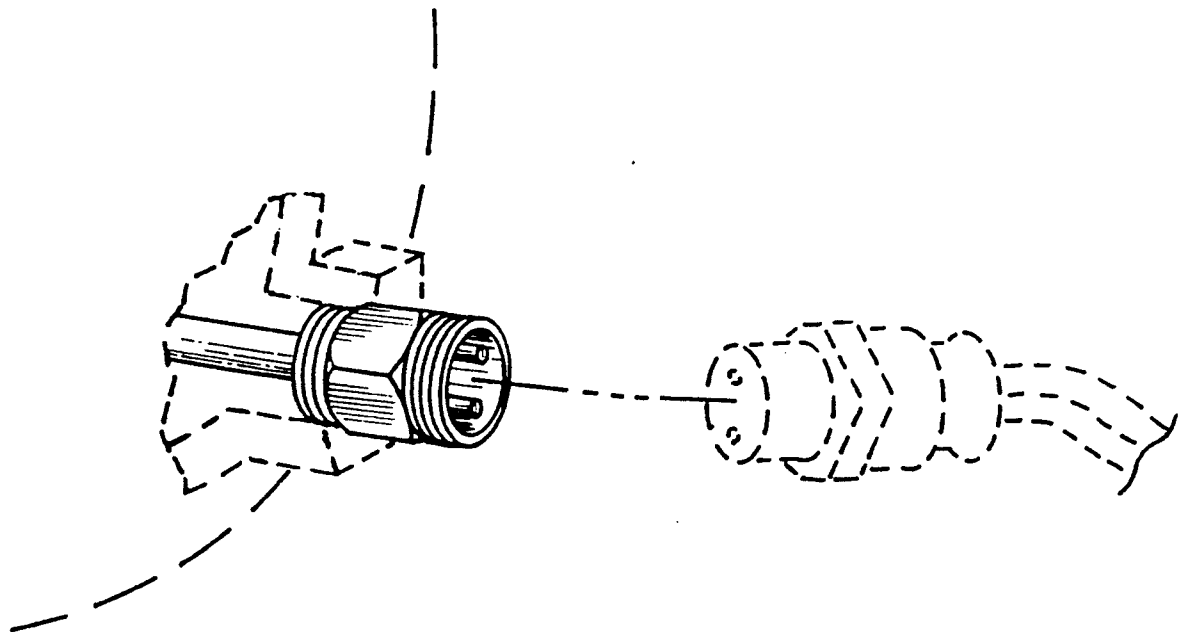


Fig. 1

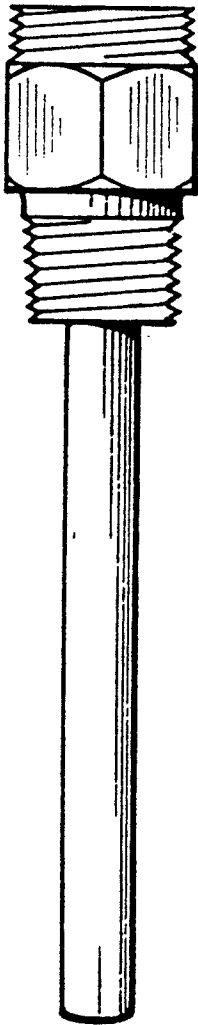


Fig. 2

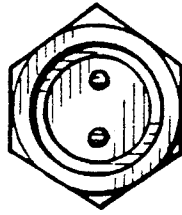


Fig. 3

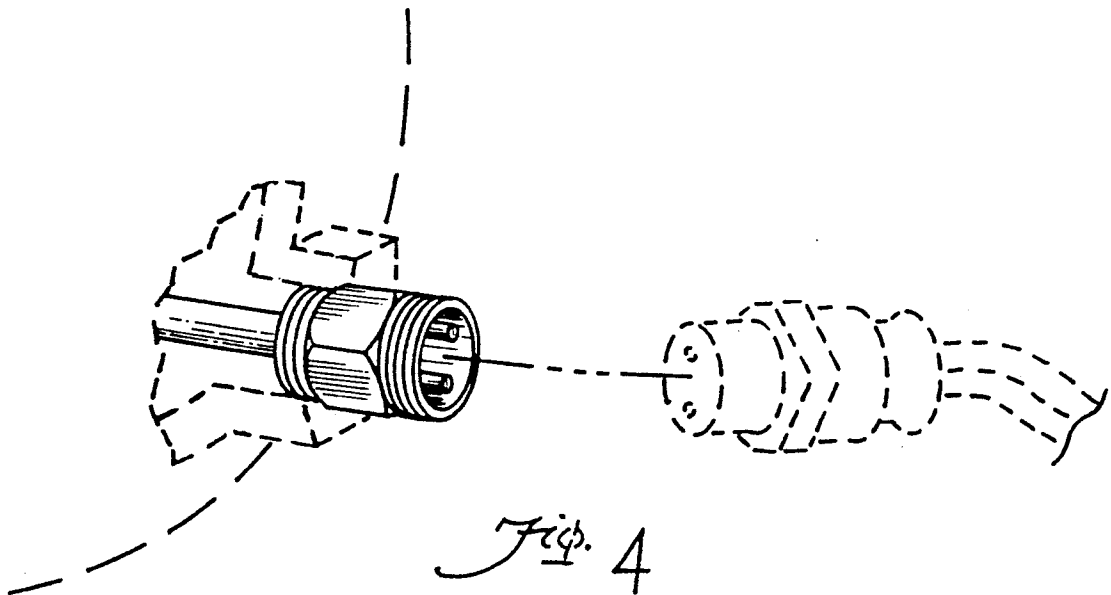
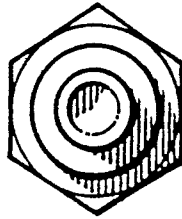


Fig. 4