

(19) World Intellectual Property Organization  
International Bureau



(43) International Publication Date  
11 January 2007 (11.01.2007)

PCT

(10) International Publication Number  
**WO 2007/006000 A3**

- (51) International Patent Classification:  
A61B 18/04 (2006.01) A61N 1/00 (2006.01)  
A61M 29/00 (2006.01)
- (21) International Application Number:  
PCT/US2006/026321
- (22) International Filing Date: 6 July 2006 (06.07.2006)
- (25) Filing Language: English
- (26) Publication Language: English
- (30) Priority Data:  
11/176,803 6 July 2005 (06.07.2005) US
- (71) Applicant (for all designated States except US):  
**ARTHROCARE CORPORATION** [US/US]; 680  
Vaqueros Avenue, Sunnyvale, CA 94085-3523 (US).
- (71) Applicants and
- (72) Inventors (for all designated States except US): **DAHLA, Robert** [US/US]; 1342 Hollenbeck Ave, Sunnyvale, CA 94087 (US). **WOLOSZKO, Jean** [US/US]; 4 Wren Valley Cove, Austin, TX 78746 (US).

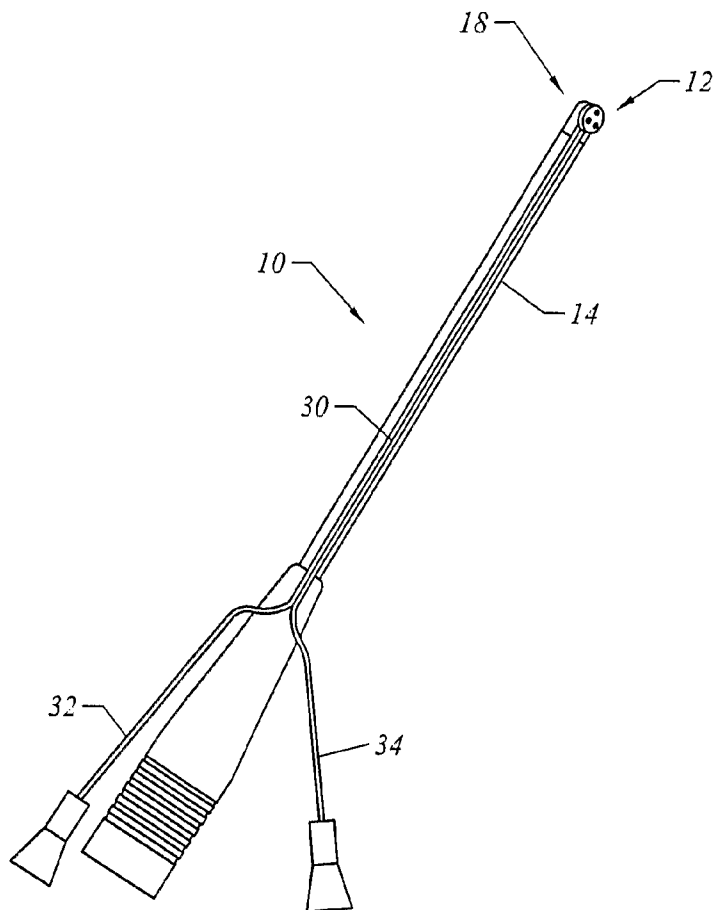
(74) Agent: **BATT, Richard, R.**; ARTHROCARE CORPORATION, 680 Vaqueros Avenue, Sunnyvale, CA 94085 (US).

(81) Designated States (unless otherwise indicated, for every kind of national protection available): AE, AG, AL, AM, AT, AU, AZ, BA, BB, BG, BR, BW, BY, BZ, CA, CH, CN, CO, CR, CU, CZ, DE, DK, DM, DZ, EC, EE, EG, ES, FI, GB, GD, GE, GH, GM, HN, HR, HU, ID, IL, IN, IS, JP, KE, KG, KM, KN, KP, KR, KZ, LA, LC, LK, LR, LS, LT, LU, LV, LY, MA, MD, MG, MK, MN, MW, MX, MZ, NA, NG, NI, NO, NZ, OM, PG, PH, PL, PT, RO, RS, RU, SC, SD, SE, SG, SK, SL, SM, SY, TJ, TM, TN, TR, TT, TZ, UA, UG, US, UZ, VC, VN, ZA, ZM, ZW.

(84) Designated States (unless otherwise indicated, for every kind of regional protection available): ARIPO (BW, GH, GM, KE, LS, MW, MZ, NA, SD, SL, SZ, TZ, UG, ZM, ZW), Eurasian (AM, AZ, BY, KG, KZ, MD, RU, TJ, TM), European (AT, BE, BG, CH, CY, CZ, DE, DK, EE, ES, FI, FR, GB, GR, HU, IE, IS, IT, LT, LU, LV, MC, NL, PL, PT,

[Continued on next page]

(54) Title: FUSE-ELECTRODE ELECTROSURGICAL APPARATUS



(57) Abstract: An electrosurgical apparatus for performing a surgical procedure on a target site, comprising a shaft having a distal end portion, the distal end portion comprising an active electrode including a fuse leg or portion, the fuse leg adapted to break and disable the instrument upon applying a voltage differential between the active electrode and a return electrode for a predetermined amount of time, hi another embodiment, the present invention is a method of performing an electrosurgical procedure on a target tissue, comprising: placing an electrosurgical instrument in close proximity to the target tissue, the electrosurgical instrument comprising an active electrode having a pre-selected portion adapted to break and disable the instrument upon applying a voltage differential thereto for a working time; and applying the voltage differential.

WO 2007/006000 A3



RO, SE, SI, SK, TR), OAPI (BF, BJ, CF, CG, CI, CM, GA,  
GN, GQ, GW, ML, MR, NE, SN, TD, TG).

(88) Date of publication of the international search report:  
28 June 2007

**Published:**

- with international search report
- before the expiration of the time limit for amending the claims and to be republished in the event of receipt of amendments

For two-letter codes and other abbreviations, refer to the "Guidance Notes on Codes and Abbreviations" appearing at the beginning of each regular issue of the PCT Gazette.

**INTERNATIONAL SEARCH REPORT**

International application No.  
PCT/US06/26321

**A. CLASSIFICATION OF SUBJECT MATTER**  
IPC(8) - A61B 18/04; A61M 29/00; A61N 1/00 (2007.01)  
USPC - 606/35; 604/97.3; 607/6  
According to International Patent Classification (IPC) or to both national classification and IPC

**B. FIELDS SEARCHED**

Minimum documentation searched (classification system followed by classification symbols)  
IPC(8) - A61B 18/04; A61M 29/00; A61N 1/00 (2007.01)  
USPC - 606/38, 42; 604/22, 27; 607/7

Documentation searched other than minimum documentation to the extent that such documents are included in the fields searched

Electronic data base consulted during the international search (name of data base and, where practicable, search terms used)  
USPTO EAST System (US, USPG-PUB, EPO, DERWENT), MicroPatent, DialogPro

**C. DOCUMENTS CONSIDERED TO BE RELEVANT**

Category*	Citation of document, with indication, where appropriate, of the relevant passages	Relevant to claim No.
X	US 2004/0106919 A1 (HOOD) 03 June 2004 (03.06.2004) entire document	1-2, 5-11, 21, 23, 26
Y		3-4, 16-20, 22, 24-25
Y	US 2003/0013948 A1 (RUSSELL) 16 January 2003 (16.01.2003) entire document	3-4, 16-20, 22, 24
Y	US 6,878,149 B2 (GATTO) 12 April 2005 (12.04.2005) entire document	25
A	US 2002/0072736 A1 (TIERNEY et al) 13 June 2002 (13.06.2002) entire document	1-26
A	US 2003/0211661 A1 (MARR et al) 13 November 2003 (13.11.2003) entire document	1-26
A	US 4,418,692 A (GUAY) 06 December 1983 (06.12.1983) entire document	1-26

Further documents are listed in the continuation of Box C.

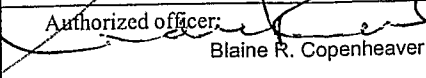
\* Special categories of cited documents:

"A" document defining the general state of the art which is not considered to be of particular relevance	"T" later document published after the international filing date or priority date and not in conflict with the application but cited to understand the principle or theory underlying the invention
"E" earlier application or patent but published on or after the international filing date	"X" document of particular relevance; the claimed invention cannot be considered novel or cannot be considered to involve an inventive step when the document is taken alone
"L" document which may throw doubts on priority claim(s) or which is cited to establish the publication date of another citation or other special reason (as specified)	"Y" document of particular relevance; the claimed invention cannot be considered to involve an inventive step when the document is combined with one or more other such documents, such combination being obvious to a person skilled in the art
"O" document referring to an oral disclosure, use, exhibition or other means	"&" document member of the same patent family
"P" document published prior to the international filing date but later than the priority date claimed	

Date of the actual completion of the international search  
31 January 2007

Date of mailing of the international search report  
**25 APR 2007**

Name and mailing address of the ISA/US  
Mail Stop PCT, Attn: ISA/US, Commissioner for Patents  
P.O. Box 1450, Alexandria, Virginia 22313-1450  
Facsimile No. 571-273-3201

Authorized officer:  
  
Blaine R. Copenheaver  
PCT Helpdesk: 571-272-4300  
PCT OSP: 571-272-7774