

CORRECTED VERSION

(19) World Intellectual Property Organization  
International Bureau



(43) International Publication Date  
25 August 2011 (25.08.2011)

PCT

(10) International Publication Number  
WO 2011/101832 A8

- (51) International Patent Classification:  
F16K 31/40 (2006.01)
- (21) International Application Number:  
PCT/IB2011/050721
- (22) International Filing Date:  
22 February 2011 (22.02.2011)
- (25) Filing Language: Italian
- (26) Publication Language: English
- (30) Priority Data:  
TO2010A000129 22 February 2010 (22.02.2010) IT
- (71) Applicant (for all designated States except US): **ELBI INTERNATIONAL S.P.A.** [IT/IT]; Corso Galileo Ferraris 110, I-10129 Torino (IT).
- (72) Inventors; and
- (75) Inventors/Applicants (for US only): **DA PONT, Paolo** [IT/IT]; Via dei Mille 26 bis, I-10123 Torino (IT). **RAVEDATI, Paolo** [IT/IT]; Via San Sebastiano 2, I-10024 Moncalieri (Torino) (IT). **CAPIZZI, Giosuè** [IT/IT]; Via della Pace 24, I-10090 Buttigliera Alta (Torino) (IT). **RENDESI, Maurizio** [IT/IT]; Via dell'Olmo 3, I-10090 Villarbasse (Torino) (IT). **PARIS, Fabrizio**

[IT/IT]; Vicolo San Pancrazio 18B, I-10040 Druento (Torino) (IT). **BOSIO, Roberto** [IT/IT]; Corso Brunelleschi 27, I-10141 Torino (IT). **DAVI, Massimo** [IT/IT]; Via G. Olmo 35A, I-10053 Bussoleno (Torino) (IT).

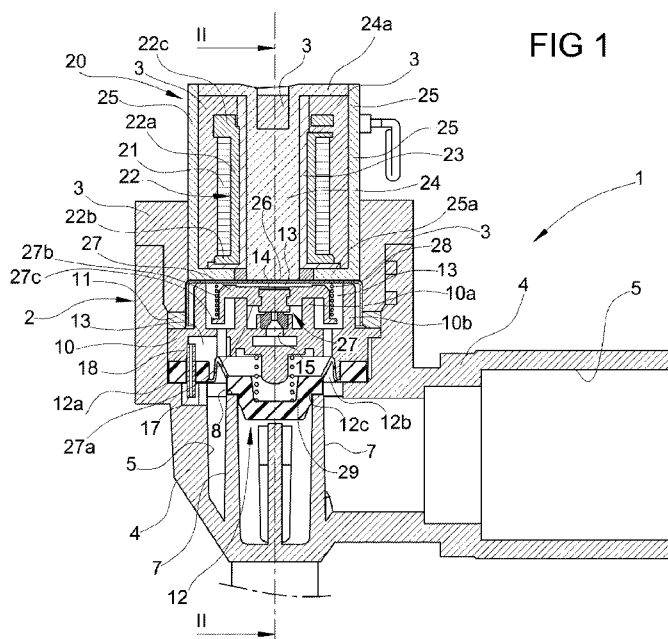
(74) Agents: **QUINTERNO, Giuseppe** et al.; c/o Jacobacci & Partners S.p.A., Corso Emilia 8, I-10152 Torino (IT).

(81) Designated States (unless otherwise indicated, for every kind of national protection available): AE, AG, AL, AM, AO, AT, AU, AZ, BA, BB, BG, BH, BR, BW, BY, BZ, CA, CH, CL, CN, CO, CR, CU, CZ, DE, DK, DM, DO, DZ, EC, EE, EG, ES, FI, GB, GD, GE, GH, GM, GT, HN, HR, HU, ID, IL, IN, IS, JP, KE, KG, KM, KN, KP, KR, KZ, LA, LC, LK, LR, LS, LT, LU, LY, MA, MD, ME, MG, MK, MN, MW, MX, MY, MZ, NA, NG, NI, NO, NZ, OM, PE, PG, PH, PL, PT, RO, RS, RU, SC, SD, SE, SG, SK, SL, SM, ST, SV, SY, TH, TJ, TM, TN, TR, TT, TZ, UA, UG, US, UZ, VC, VN, ZA, ZM, ZW.

(84) Designated States (unless otherwise indicated, for every kind of regional protection available): ARIPO (BW, GH, GM, KE, LR, LS, MW, MZ, NA, SD, SL, SZ, TZ, UG, ZM, ZW), Eurasian (AM, AZ, BY, KG, KZ, MD, RU, TJ, TM), European (AL, AT, BE, BG, CH, CY, CZ, DE, DK, EE, ES, FI, FR, GB, GR, HR, HU, IE, IS, IT, LT, LU,

[Continued on next page]

(54) Title: AN ELECTRIC VALVE DEVICE



(57) Abstract: The device (1) comprises: a body (2; 3, 4) having an inlet (5) and an outlet (6) for the fluid, and a main valve seat (8) through which the fluid can flow from the inlet (5) to the outlet (6), a main shutter (12) movable with respect to the valve seat (8); a control chamber (13) delimited in part by the main shutter (12); at least one first and one second communication passage (17; 15, 16) between the inlet (5) and the control chamber (13) and between the control chamber (13) and the outlet (6), respectively; a fixed structure (10) which is arranged in the control chamber (13) and in which there is defined an auxiliary valve seat (14), which is coaxial with the main valve seat (8) and which communicates with said second passage (15, 16); and a solenoid control valve (20) including a control solenoid (21) arranged coaxially with the valve seats (8, 14), for controlling an auxiliary shutter (27) which is mounted movably in the control chamber (13) and which is intended to cooperate with the auxiliary valve seat (14) for controlling the communication between the control chamber (13) and the second passage (15, 16).

WO 2011/101832 A8



LV, MC, MK, MT, NL, NO, PL, PT, RO, RS, SE, SI, SK,  
SM, TR), OAPI (BF, BJ, CF, CG, CI, CM, GA, GN, GQ,  
GW, ML, MR, NE, SN, TD, TG).

**Published:**

— *without international search report and to be republished upon receipt of that report (Rule 48.2(g))*

**Declarations under Rule 4.17:**

- *as to applicant's entitlement to apply for and be granted a patent (Rule 4.17(ii))*
- *of inventorship (Rule 4.17(iv))*

**(48) Date of publication of this corrected version:**

10 November 2011

**(15) Information about Correction:**

see Notice of 10 November 2011