

(19) World Intellectual Property Organization
International Bureau



(43) International Publication Date
6 May 2010 (06.05.2010)

PCT

(10) International Publication Number
WO 2010/050776 A3

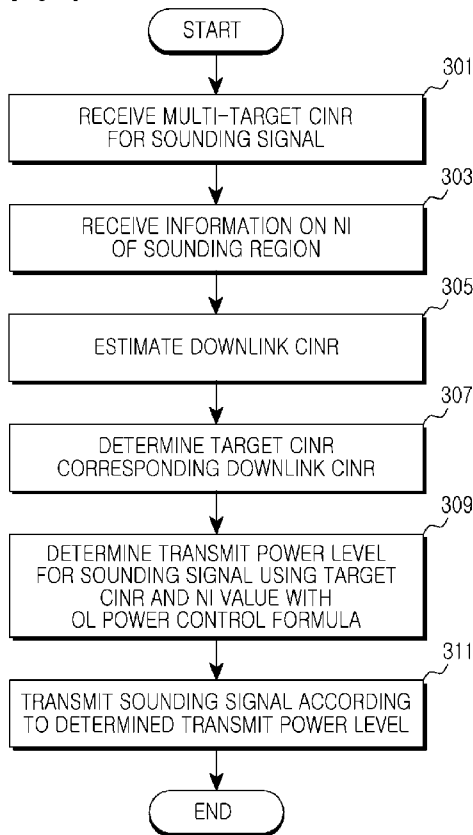
- (51) International Patent Classification:
H04W 52/24 (2009.01)
- (21) International Application Number:
PCT/KR2009/006344
- (22) International Filing Date:
30 October 2009 (30.10.2009)
- (25) Filing Language:
English
- (26) Publication Language:
English
- (30) Priority Data:
10-2008-0107467 31 October 2008 (31.10.2008) KR
10-2009-0027415 31 March 2009 (31.03.2009) KR
10-2009-0035849 24 April 2009 (24.04.2009) KR
- (71) Applicant (for all designated States except US): **SAM-SUNG ELECTRONICS CO., LTD.** [KR/KR]; 416, Maetan-dong, Yeongtong-gu, Suwon-si, Gyeonggi-do 443-742 (KR).

- (72) Inventors; and
- (75) Inventors/Applicants (for US only): **LEE, Sung-Ho** [KR/KR]; #107-1305, Sinmokdong APT, Sinjeong-dong 1259, Yangcheon-gu, Seoul 158-070 (KR). **HWANG, Keun-Chul** [KR/KR]; #521-902, Ggotme Maetul Hyundai Home Town, Jukjeon-dong, Suji-gu, Yongin-si, Gyeonggi-do 448-974 (KR). **KIM, Yong-Seok** [KR/KR]; #911-1602, Purun Maetul Posco The sharp 2 Cha APT, Neung-dong, Hwaseong-si, Gyeonggi-do 445-320 (KR).
- (74) Agents: **KWON, Hyuk-Rok** et al.; 2F, Seokwang Bldg. 1-96, Sinnun-ro 2ga, Jongro-ku, Seoul 110-062 (KR).
- (81) Designated States (unless otherwise indicated, for every kind of national protection available): AE, AG, AL, AM, AO, AT, AU, AZ, BA, BB, BG, BH, BR, BW, BY, BZ, CA, CH, CL, CN, CO, CR, CU, CZ, DE, DK, DM, DO, DZ, EC, EE, EG, ES, FI, GB, GD, GE, GH, GM, GT, HN, HR, HU, ID, IL, IN, IS, JP, KE, KG, KM, KN, KP, KZ, LA, LC, LK, LR, LS, LT, LU, LY, MA, MD, ME, MG, MK, MN, MW, MX, MY, MZ, NA, NG, NI, NO,

[Continued on next page]

(54) Title: APPARATUS AND METHOD FOR UPLINK POWER CONTROL IN WIRELESS COMMUNICATION SYSTEM

[Fig. 3]



(57) Abstract: An apparatus and method for controlling a transmit power of a sounding signal in a wireless communication system are provided. The method includes estimating a downlink Carrier to Interference and Noise Ratio (CINR) using at least one signal received from a Base Station (BS), determining a transmit power level for a sounding signal using a target CINR for the sounding signal, wherein the target CINR is determined based on the downlink CINR and multi-target CINR information, and transmitting the sounding signal according to the transmit power level.

WO 2010/050776 A3



NZ, OM, PE, PG, PH, PL, PT, RO, RS, RU, SC, SD, SE, SG, SK, SL, SM, ST, SV, SY, TJ, TM, TN, TR, TT, TZ, UA, UG, US, UZ, VC, VN, ZA, ZM, ZW.

MC, MK, MT, NL, NO, PL, PT, RO, SE, SI, SK, SM, TR), OAPI (BF, BJ, CF, CG, CI, CM, GA, GN, GQ, GW, ML, MR, NE, SN, TD, TG).

(84) Designated States (*unless otherwise indicated, for every kind of regional protection available*): ARIPO (BW, GH, GM, KE, LS, MW, MZ, NA, SD, SL, SZ, TZ, UG, ZM, ZW), Eurasian (AM, AZ, BY, KG, KZ, MD, RU, TJ, TM), European (AT, BE, BG, CH, CY, CZ, DE, DK, EE, ES, FI, FR, GB, GR, HR, HU, IE, IS, IT, LT, LU, LV,

Published:

— *with international search report (Art. 21(3))*

(88) Date of publication of the international search report:

22 July 2010

INTERNATIONAL SEARCH REPORT

International application No.
PCT/KR2009/006344**A. CLASSIFICATION OF SUBJECT MATTER****H04W 52/24(2009.01)i**

According to International Patent Classification (IPC) or to both national classification and IPC

B. FIELDS SEARCHED

Minimum documentation searched (classification system followed by classification symbols)

H04W 52/24; H04K 3/00; H04W 52/14

Documentation searched other than minimum documentation to the extent that such documents are included in the fields searched

Korean utility models and applications for utility models

Japanese utility models and applications for utility models

(Chinese Patents and application for patent)

Electronic data base consulted during the international search (name of data base and, where practicable, search terms used)

eKOMPASS(KIPO internal) & Keywords: OFDMA, 802.16, uplink, power control, CINR

C. DOCUMENTS CONSIDERED TO BE RELEVANT

Category*	Citation of document, with indication, where appropriate, of the relevant passages	Relevant to claim No.
A	KR 10-2007-0076678 A (SAMSUNG ELECTRONICS CO., LTD.) 25 July 2007 See abstract; claims 1-6; figs. 4-6	1-23
A	US 2004-0106371 A1 (PASCAL AGIN) 03 June 2004 See abstract; claim 1; fig. 1	1-23
A	KR 10-2007-0109654 A (SAMSUNG ELECTRONICS CO., LTD.) 15 November 2007 See abstract; claims 1-4; figs. 1-3	1-23

 Further documents are listed in the continuation of Box C. See patent family annex.

* Special categories of cited documents:

"A" document defining the general state of the art which is not considered to be of particular relevance

"E" earlier application or patent but published on or after the international filing date

"L" document which may throw doubts on priority claim(s) or which is cited to establish the publication date of citation or other special reason (as specified)

"O" document referring to an oral disclosure, use, exhibition or other means

"P" document published prior to the international filing date but later than the priority date claimed

"T" later document published after the international filing date or priority date and not in conflict with the application but cited to understand the principle or theory underlying the invention

"X" document of particular relevance; the claimed invention cannot be considered novel or cannot be considered to involve an inventive step when the document is taken alone

"Y" document of particular relevance; the claimed invention cannot be considered to involve an inventive step when the document is combined with one or more other such documents, such combination being obvious to a person skilled in the art

"&" document member of the same patent family

Date of the actual completion of the international search

04 MAY 2010 (04.05.2010)

Date of mailing of the international search report

06 MAY 2010 (06.05.2010)

Name and mailing address of the ISA/KR

Korean Intellectual Property Office
Government Complex-Daejeon, 139 Seonsa-ro, Seo-
gu, Daejeon 302-701, Republic of Korea

Facsimile No. 82-42-472-7140

Authorized officer

NAM, Ock Woo

Telephone No. 82-42-481-5713



INTERNATIONAL SEARCH REPORT

Information on patent family members

International application No.

PCT/KR2009/006344

Patent document cited in search report	Publication date	Patent family member(s)	Publication date
KR 10-2007-0076678 A	25.07.2007	EP 1811685 A2	25.07.2007
		EP 1811685 A3	20.02.2008
		US 2007-0191050 A1	16.08.2007
US 2004-0106371 A1	03.06.2004	CN 100486130 C	06.05.2009
		CN 1552130 A	01.12.2004
		CN 1552130 A	01.12.2004
		CN 1552130 C0	01.12.2004
		EP 1207629 A2	22.05.2002
		EP 1207629 A3	30.10.2002
		FR 2817094 A1	24.05.2002
		FR 2817094 B1	07.02.2003
		JP 03-974522 B2	12.09.2007
		JP 04-353984 B2	07.08.2009
		JP 2004-529521 A	24.09.2004
		JP 2004-529521 T	24.09.2004
		JP 2004-529521 T	24.09.2004
		JP 2007-143195 A	07.06.2007
		JP 2007-143195 A	07.06.2007
		KR 10-0723560 B1	31.05.2007
		US 2004-106371 A1	03.06.2004
		US 7167719 B2	23.01.2007
		WO 02-41522 A2	23.05.2002
		WO 02-41522 A3	23.05.2002
WO 02-41522A2	23.05.2002		
WO 02-41522A3	04.12.2003		
WO 02-41522A3	04.12.2003		
KR 10-2007-0109654 A	15.11.2007	AU 2007-250652 A1	22.11.2007
		CA 2649622-A1	22.11.2007
		CN 101444015 A	27.05.2009
		CN 101444015 A	27.05.2009
		EP 1855391 A1	14.11.2007
		JP 2009-533944 A	17.09.2009
		US 2007-0265026 A1	15.11.2007
		WO 2007-133021 A1	22.11.2007