



US00D720044S

(12) **United States Design Patent**
Enzaki

(10) **Patent No.:** **US D720,044 S**

(45) **Date of Patent:** **** Dec. 23, 2014**

- (54) **ELECTROMAGNETIC VALVE**
- (71) Applicant: **Akira Enzaki**, Tsukubamirai (JP)
- (72) Inventor: **Akira Enzaki**, Tsukubamirai (JP)
- (73) Assignee: **SMC Corporation**, Chiyoda-ku, Tokyo (JP)

D687,515 S *	8/2013	Iwata et al.	D23/233
D696,749 S *	12/2013	Oike et al.	D23/233
D698,419 S *	1/2014	Narita	D23/233
D698,899 S *	2/2014	Narita	D23/233
D698,901 S *	2/2014	Narita	D23/233
D699,323 S *	2/2014	Narita	D23/233
D702,321 S *	4/2014	Narita	D23/233
D704,303 S *	5/2014	Yoshimura et al.	D23/233
D708,707 S *	7/2014	Matsumura	D23/233

(**) Term: **14 Years**

* cited by examiner

(21) Appl. No.: **29/482,900**

Primary Examiner — Cynthia Ramirez

(22) Filed: **Feb. 24, 2014**

(74) *Attorney, Agent, or Firm* — Yokoi & Co., U.S.A., Inc.;
Toshiyuki Yokoi

(30) **Foreign Application Priority Data**

Nov. 7, 2013 (JP) 2013-026045

(51) **LOC (10) Cl.** **23-01**

(52) **U.S. Cl.**
USPC **D23/233**

(58) **Field of Classification Search**
 CPC ... F16K 27/067; F16K 27/065; F16K 27/062;
 F16K 5/047; F16K 5/0407; F16K 25/005
 USPC D23/233–237, 244–249; 251/129.01,
 251/129.11, 149.8, 368, 62, 63.5; 137/547,
 137/549, 377, 625.4, 625.41, 625.42,
 137/625.46, 625.64, 625.65
 See application file for complete search history.

(56) **References Cited**

U.S. PATENT DOCUMENTS

D546,520 S *	7/2007	Glas	D34/1
D572,344 S *	7/2008	Kato	D23/233
D671,194 S *	11/2012	Ikenoya et al.	D23/245

(57) **CLAIM**

The ornamental design for an electromagnetic valve, as shown and described.

DESCRIPTION

FIG. 1 shows a front view of an electromagnetic valve showing my new design;
 FIG. 2 shows a rear view thereof;
 FIG. 3 shows a right side view thereof;
 FIG. 4 shows a left side view thereof;
 FIG. 5 shows a top view thereof;
 FIG. 6 shows a bottom view thereof;
 FIG. 7 shows a bottom, front and left side perspective view thereof; and,
 FIG. 8 shows a top, rear and right side exploded perspective view thereof.
 The portions of the design shown in broken lines in FIGS. 1-8 are for the purpose of illustrating the environment only and form no part of the claimed design.

1 Claim, 7 Drawing Sheets

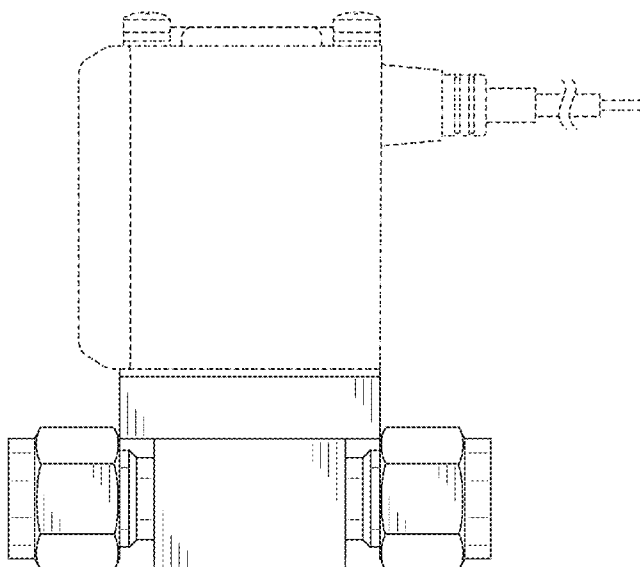


FIG. 1

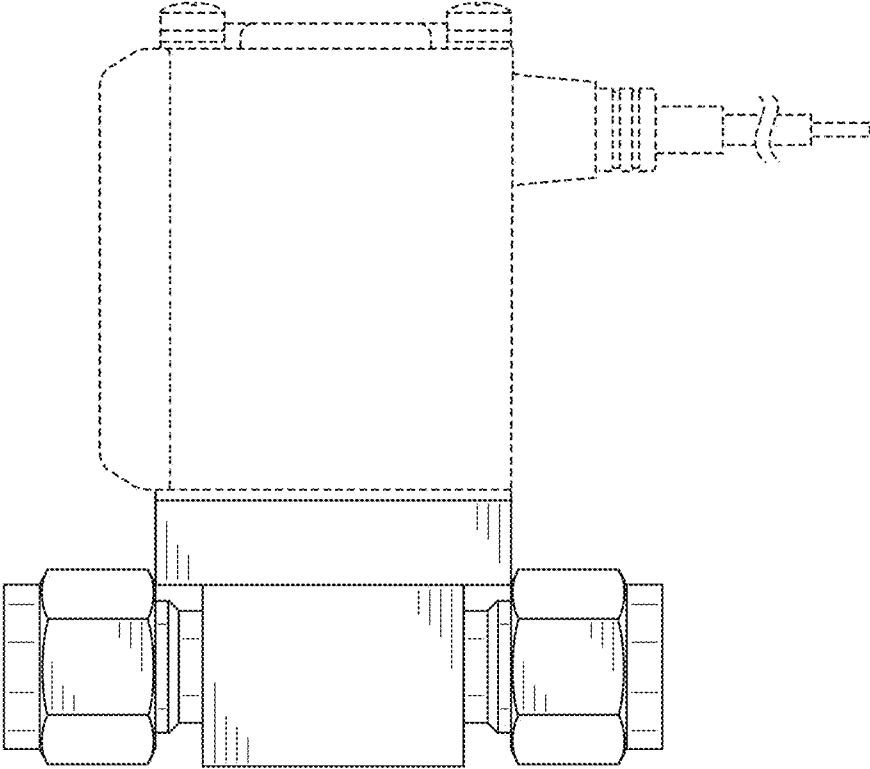


FIG. 2

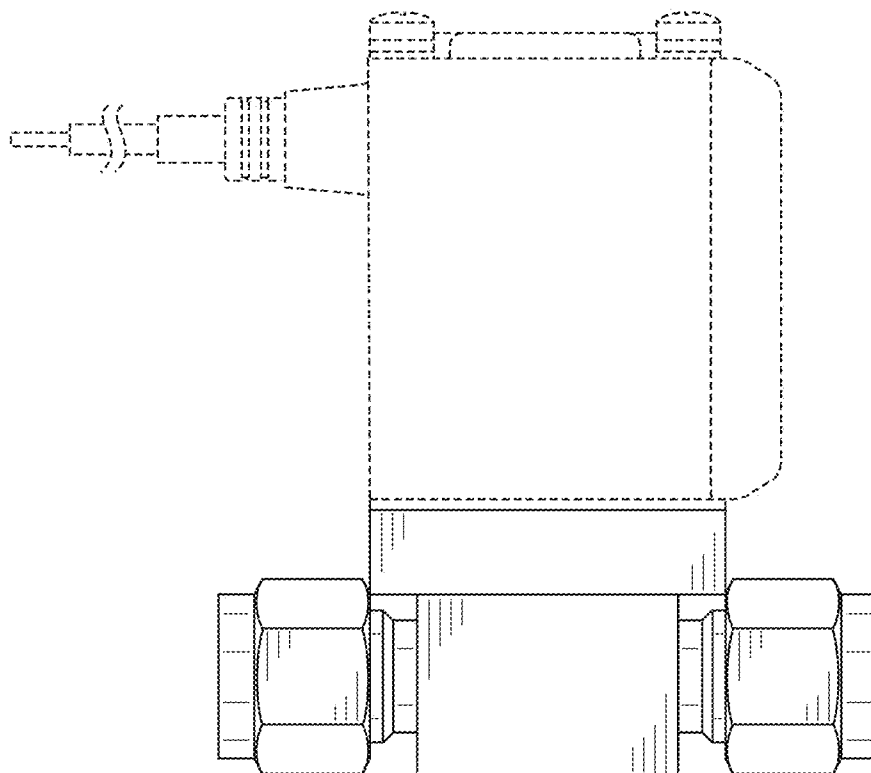


FIG. 3

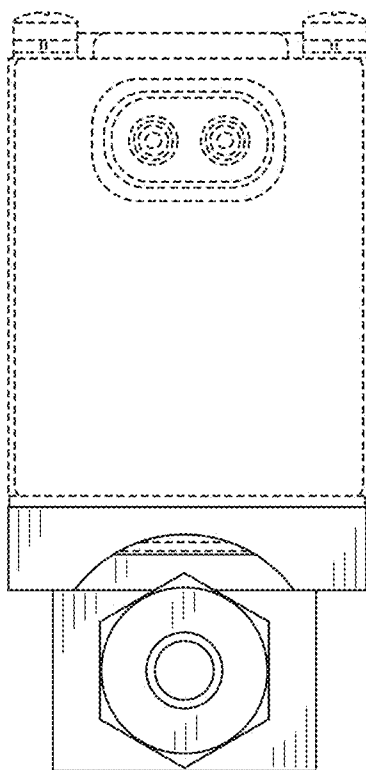


FIG. 4

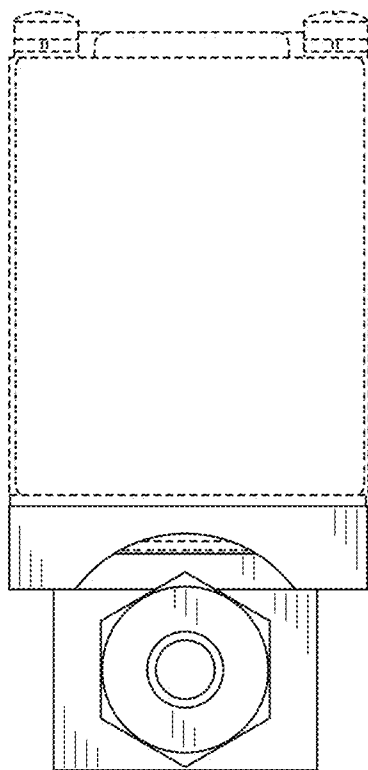


FIG. 5

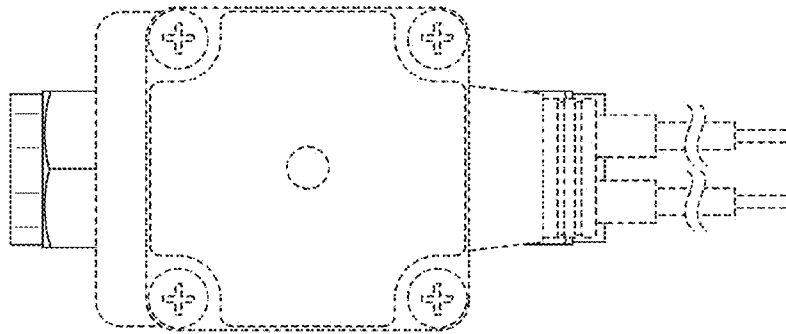


FIG. 6

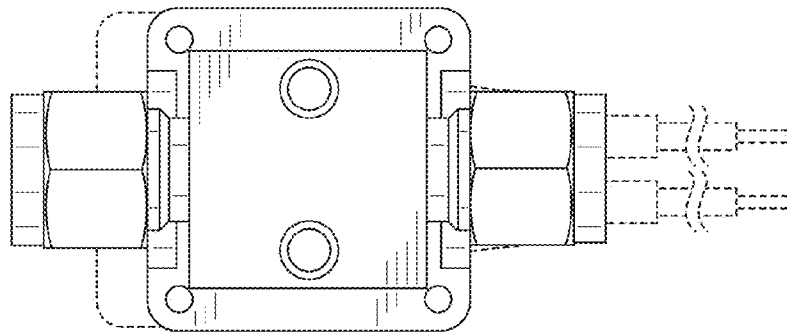


FIG. 7

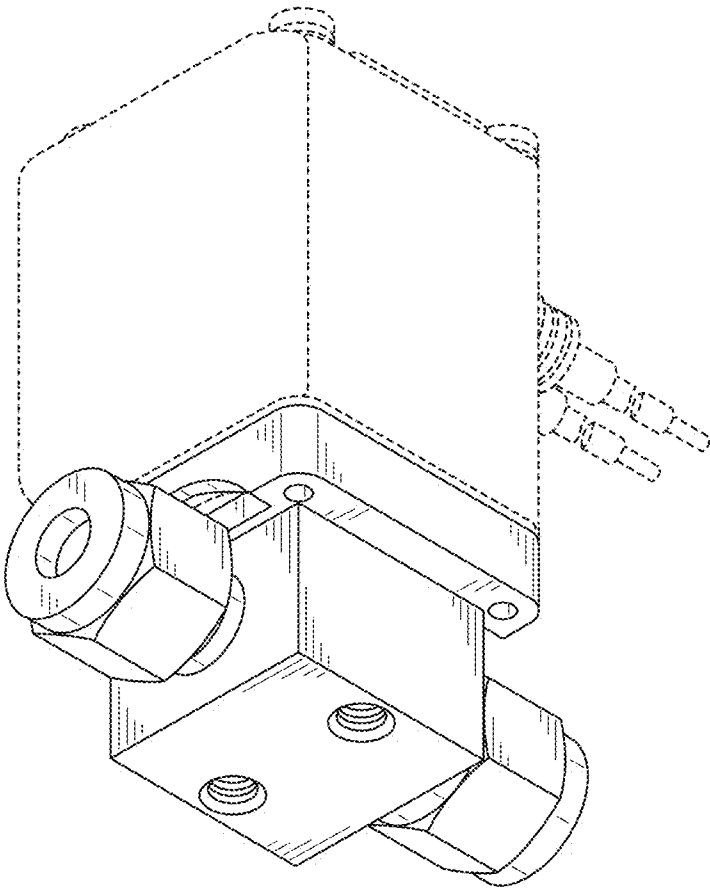


FIG. 8

