

(19) World Intellectual Property Organization
International Bureau



(43) International Publication Date
10 January 2002 (10.01.2002)

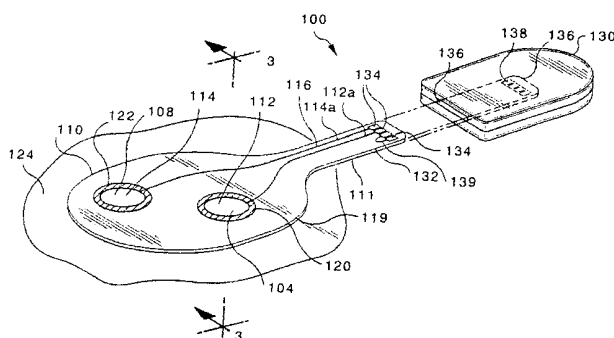
PCT

(10) International Publication Number
WO 02/02182 A3

- (51) International Patent Classification⁷: A61N 1/30
- (21) International Application Number: PCT/US01/20886
- (22) International Filing Date: 29 June 2001 (29.06.2001)
- (25) Filing Language: English
- (26) Publication Language: English
- (30) Priority Data:
09/610,563 30 June 2000 (30.06.2000) US
- (71) Applicant: VYTERIS, Inc. [US/US]; 13-01 Pollitt Drive, Fair Law, NJ 07410 (US).
- (72) Inventors: JAIN, Udayk; 1141 Hyde Park Court, Mahway, NJ 07430 (US). REDDY, Vilambi, NRK; 24 C Warners Road, Cantonment, Trichy, Tamil/Nadu (IN). ELIASH, Bruce, M.; 511 Harriet Place, Franklin Lakes, NJ 07417 (US). CAREY, Kevin, John; 375 North Drive, Apartment A-11, North Plainfield, NJ 07060 (US). FALEVICH, Vitaly; 133-18 96th Street, Ozone Park, NY 11417 (US). KEUSCH, Preston; 3 Belfast Avenue, Hazlet, NJ 07730 (US).
- (74) Agents: HIRSHMAN, Jesse, A. et al.; Kirkpatrick & Lockhart LLP, Henry W. Oliver Building, 535 Smithfield Street, Pittsburgh, PA 15222-2312 (US).
- (81) Designated States (*national*): AE, AG, AL, AM, AT, AU, AZ, BA, BB, BG, BR, BY, BZ, CA, CH, CN, CO, CR, CU, CZ, DE, DK, DM, DZ, EE, ES, FI, GB, GD, GE, GH, GM, HR, HU, ID, IL, IN, IS, JP, KE, KG, KP, KR, KZ, LC, LK, LR, LS, LT, LU, LV, MA, MD, MG, MK, MN, MW, MX, MZ, NO, NZ, PL, PT, RO, RU, SD, SE, SG, SI, SK, SL, TJ, TM, TR, TT, TZ, UA, UG, UZ, VN, YU, ZA, ZW.
- (84) Designated States (*regional*): ARIPO patent (GH, GM, KE, LS, MW, MZ, SD, SL, SZ, TZ, UG, ZW), Eurasian patent (AM, AZ, BY, KG, KZ, MD, RU, TJ, TM), European patent (AT, BE, CH, CY, DE, DK, ES, FI, FR, GB, GR, IE, IT, LU, MC, NL, PT, SE, TR), OAPI patent (BF, BJ, CF, CG, CI, CM, GA, GN, GW, ML, MR, NE, SN, TD, TG).
- Published:
— with international search report
— before the expiration of the time limit for amending the claims and to be republished in the event of receipt of amendments

[Continued on next page]

(54) Title: SHELF STORAGE STABLE IONTOPHORESIS RESERVOIR-ELECTRODE AND IONTOPHORETIC SYSTEM



(57) Abstract: A reservoir-electrode for an iontophoretic delivery device of the present invention includes an electrode; and a hydrophilic reservoir situated in electrically conductive relation to the electrode. The reservoir is formed from a bibulous hydrophilic cross-linked polymeric material having a substantially uniform concentration of an alkali metal chloride salt therein thereby substantially eliminating concentration gradients of the salt with respect to the electrode. The polymeric material has a first surface and a second surface that is adhesively adherent to the electrode. The first surface of the polymeric material is releasably adhesive to an applied area of a patient's skin. The polymeric material has a cohesive strength, wherein a bond strength of an adhesive bond between the second surface of the polymeric material to the electrode is greater than the cohesive strength of the polymeric material and an adhesive bond strength of the first surface of the polymeric material to the applied area of the patient is less than the cohesive strength of the polymeric material so that upon removal of the reservoir-electrode from the applied area of the patient, substantially no polymeric material remains on the applied area and the reservoir remains substantially intact and adhesively adherent to the electrode.



WO 02/02182 A3



(88) Date of publication of the international search report:
27 June 2002

For two-letter codes and other abbreviations, refer to the "Guidance Notes on Codes and Abbreviations" appearing at the beginning of each regular issue of the PCT Gazette.

INTERNATIONAL SEARCH REPORT

In International Application No
PCT/US 01/20886

A. CLASSIFICATION OF SUBJECT MATTER
IPC 7 A61N1/30

According to International Patent Classification (IPC) or to both national classification and IPC

B. FIELDS SEARCHED

Minimum documentation searched (classification system followed by classification symbols)
IPC 7 A61N A61K

Documentation searched other than minimum documentation to the extent that such documents are included in the fields searched

Electronic data base consulted during the international search (name of data base and, where practical, search terms used)

WPI Data, PAJ, EPO-Internal

C. DOCUMENTS CONSIDERED TO BE RELEVANT

Category *	Citation of document, with indication, where appropriate, of the relevant passages	Relevant to claim No.
X Y	US 4 474 570 A (ARIURA) 2 October 1984 (1984-10-02) column 5, line 6 - line 17 column 5, line 35 - line 44 column 6, line 40 - line 60 column 7, line 4 - line 13 ---	1, 20, 28, 29 2, 3, 6-13, 16, 21, 23, 24
Y	US 4 989 607 A (KEUSCH ET AL.) 5 February 1991 (1991-02-05) the whole document ---	2, 3, 6-13, 16, 21, 23, 24

Further documents are listed in the continuation of box C.

Patent family members are listed in annex.

* Special categories of cited documents:

- *A* document defining the general state of the art which is not considered to be of particular relevance
- *E* earlier document but published on or after the international filing date
- *L* document which may throw doubts on priority claim(s) or which is cited to establish the publication date of another citation or other special reason (as specified)
- *O* document referring to an oral disclosure, use, exhibition or other means
- *P* document published prior to the international filing date but later than the priority date claimed

- *T* later document published after the international filing date or priority date and not in conflict with the application but cited to understand the principle or theory underlying the invention
- *X* document of particular relevance; the claimed invention cannot be considered novel or cannot be considered to involve an inventive step when the document is taken alone
- *Y* document of particular relevance; the claimed invention cannot be considered to involve an inventive step when the document is combined with one or more other such documents, such combination being obvious to a person skilled in the art.
- *&* document member of the same patent family

Date of the actual completion of the international search

9 April 2002

Date of mailing of the international search report

18/04/2002

Name and mailing address of the ISA

European Patent Office, P.B. 5818 Patentlaan 2
NL - 2280 HV Rijswijk
Tel. (+31-70) 340-2040, Tx. 31 651 epo nl,
Fax: (+31-70) 340-3016

Authorized officer

Benz, K

INTERNATIONAL SEARCH REPORT

International Application No
PCT/US 01/20886

C.(Continuation) DOCUMENTS CONSIDERED TO BE RELEVANT		
Category °	Citation of document, with indication, where appropriate, of the relevant passages	Relevant to claim No.
A	WO 94 22527 A (IOMED) 13 October 1994 (1994-10-13) page 3, line 33 -page 4, line 23 page 6, line 13 - line 18 page 11, line 16 - line 24 claims 1,2 -----	1-29

INTERNATIONAL SEARCH REPORT

Information on patent family members

International Application No

PCT/US 01/20886

Patent document cited in search report	A	Publication date	Patent family member(s)	Publication date
US 4474570	A	02-10-1984	JP 1675180 C	26-06-1992
			JP 2017186 B	19-04-1990
			JP 58010066 A	20-01-1983
			CA 1196064 A1	29-10-1985
			DE 3225748 A1	21-04-1983
			FR 2509182 A1	14-01-1983
			GB 2104388 A ,B	09-03-1983
			IT 1210902 B	29-09-1989
US 4989607	A	05-02-1991	AU 652717 B2	08-09-1994
			AU 5359390 A	05-11-1990
			DE 564448 T1	16-06-1994
			EP 0564448 A1	13-10-1993
			ES 2053417 T1	01-08-1994
			FI 924401 A	30-09-1992
			NO 923776 A	29-09-1992
			OA 9675 A	15-05-1993
			WO 9011719 A1	18-10-1990
			US 5143071 A	01-09-1992
			US 5354790 A	11-10-1994
WO 9422527	A	13-10-1994	US 5328455 A	12-07-1994
			AU 6526794 A	24-10-1994
			CA 2158948 A1	13-10-1994
			DE 69426294 D1	21-12-2000
			DE 69426294 T2	23-05-2001
			EP 0693952 A1	31-01-1996
			ES 2152977 T3	16-02-2001
			JP 2800852 B2	21-09-1998
			JP 8504644 T	21-05-1996
			KR 151926 B1	01-10-1998
			NO 953710 A	20-09-1995
WO 9422527 A1	13-10-1994			