



US00D784635S

(12) **United States Design Patent**
Xiao

(10) **Patent No.:** **US D784,635 S**

(45) **Date of Patent:** **** Apr. 18, 2017**

(54) **RECHARGEABLE PUSH ROD CLEANER**

(71) Applicant: **Jiangsu Midea Chunhua Electric Appliance Co., Ltd., Suzhou (CN)**

(72) Inventor: **Peng Xiao, Suzhou (CN)**

(73) Assignee: **Jiangsu Midea Chunhua Electric Appliance Co., Ltd. (CN)**

(**) Term: **15 Years**

(21) Appl. No.: **29/526,941**

(22) Filed: **May 14, 2015**

(30) **Foreign Application Priority Data**

Feb. 3, 2015 (CN) 2015 3 0032675

(51) **LOC (10) CL.** **15-05**

(52) **U.S. CL.**
USPC **D32/22**

(58) **Field of Classification Search**

USPC D32/21-22, 31, 34, 25
CPC A47L 11/34; A47L 11/29; A47L 11/30;
A47L 7/0019; A47L 7/0004; A47L
7/0023; A47L 9/00; A47L 9/1409; A47L
5/36-5/367; A47L 5/28

See application file for complete search history.

(56) **References Cited**

U.S. PATENT DOCUMENTS

D545,011 S * 6/2007 Ågren D32/22
D565,814 S * 4/2008 Ågren D32/22

D565,816 S * 4/2008 Agren D32/22
D574,563 S * 8/2008 Fjellman D32/22
D582,111 S * 12/2008 Ågren D32/22
D613,469 S * 4/2010 Agren D32/22
D615,717 S * 5/2010 Butts D32/22
D677,844 S * 3/2013 Nicora D32/22
D680,286 S * 4/2013 Gray D32/22
D728,176 S * 4/2015 Yu D32/22
D743,124 S * 11/2015 Gray D32/22

* cited by examiner

Primary Examiner — Ruth McInroy

(74) *Attorney, Agent, or Firm* — Lerner, David, Littenberg, Krumholz & Mentlik, LLP

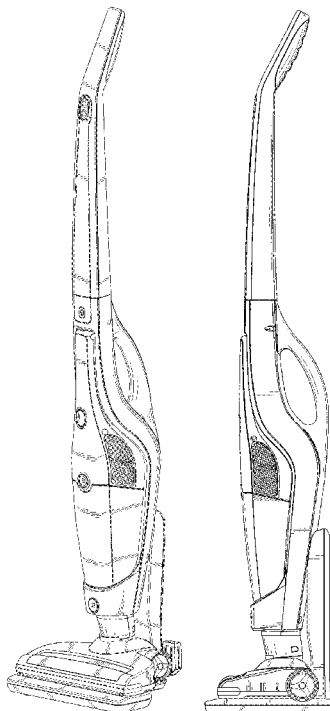
(57) **CLAIM**

The ornamental design for a rechargeable push rod cleaner, as shown and described.

DESCRIPTION

FIG. 1 is a perspective view of a rechargeable push rod cleaner showing my new design; FIG. 2 is a front view thereof; FIG. 3 is a back view thereof; FIG. 4 is a left side view thereof; FIG. 5 is a right side view thereof; FIG. 6 is a top view thereof; and, FIG. 7 is a bottom view thereof.

1 Claim, 6 Drawing Sheets



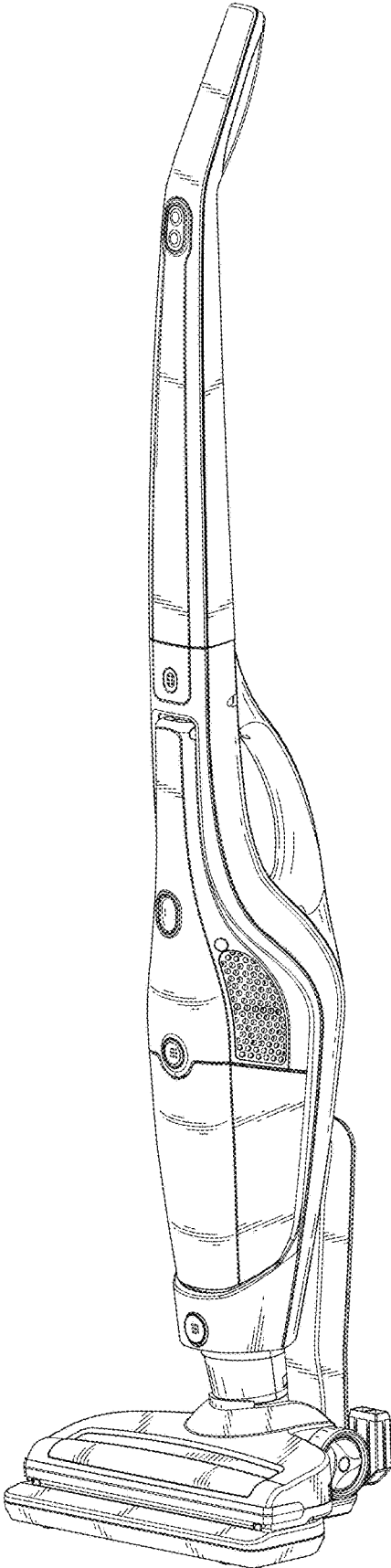


Fig. 1

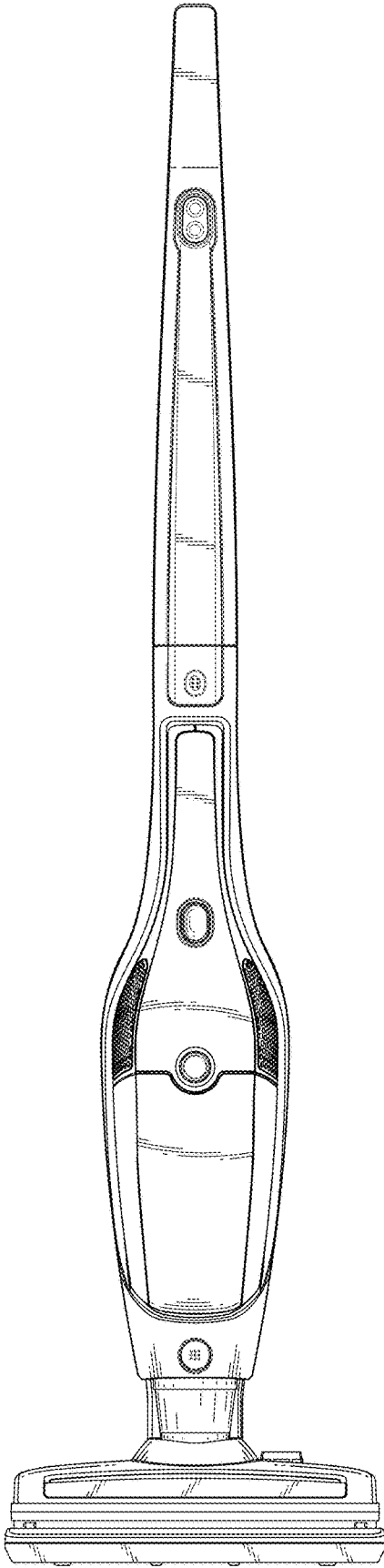


Fig.2

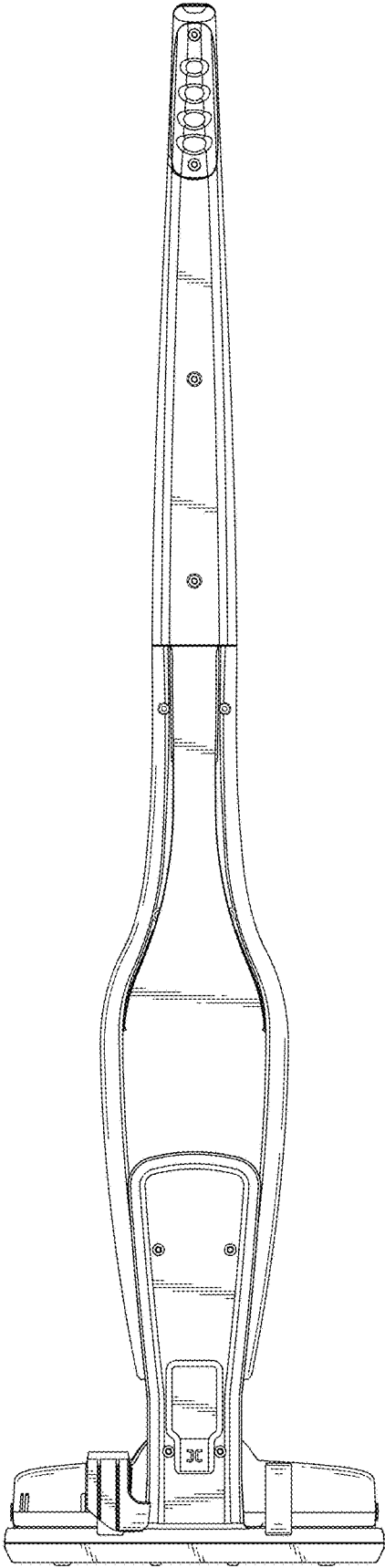


Fig.3

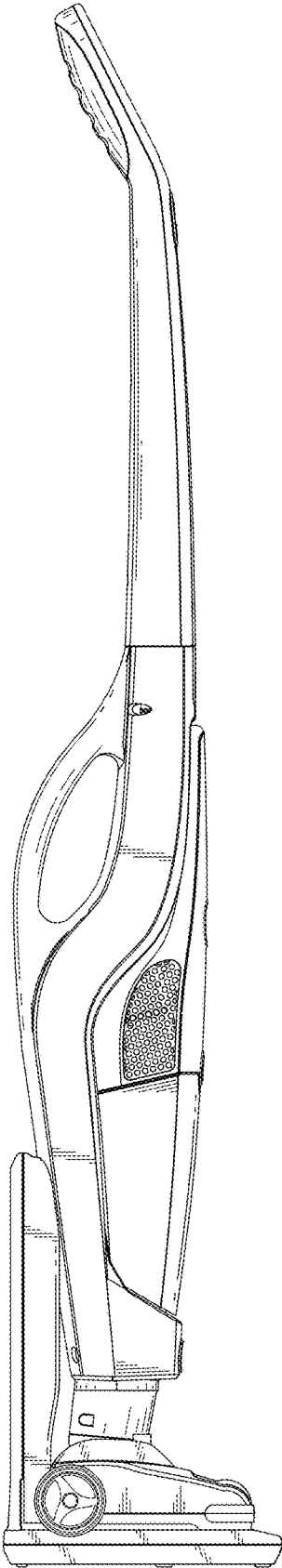


Fig.4

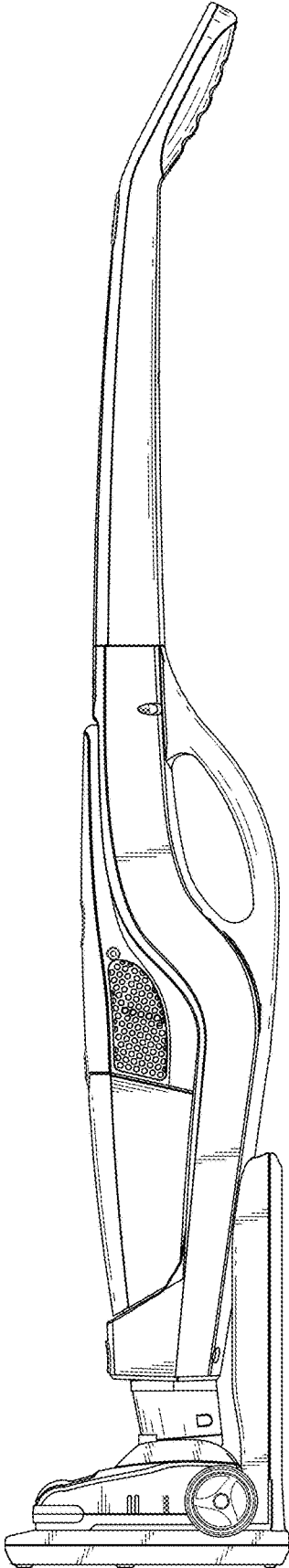


Fig. 5

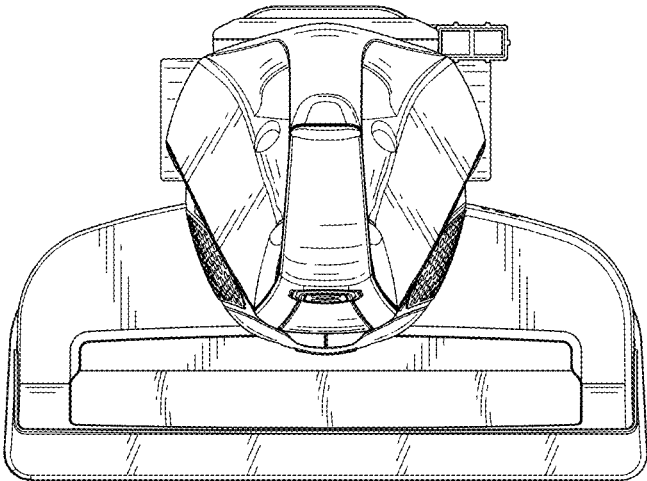


Fig. 6

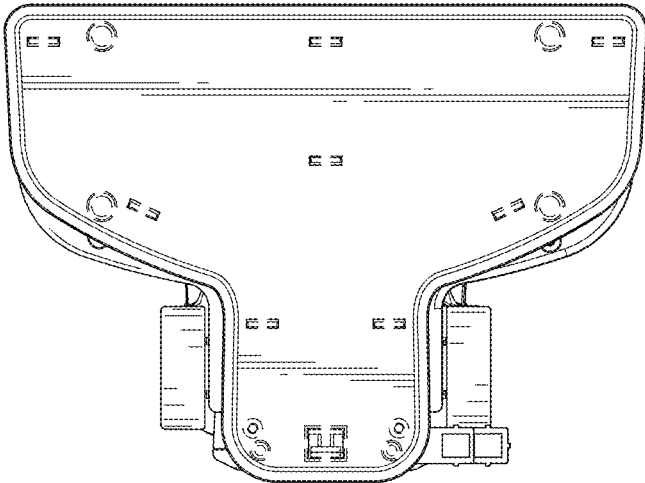


Fig. 7