



- (51) International Patent Classification:
A47J 31/40 (2006.01) B65D 85/804 (2006.01)
- (21) International Application Number:
PCT/EP2014/052415
- (22) International Filing Date:
7 February 2014 (07.02.2014)
- (25) Filing Language: English
- (26) Publication Language: English
- (30) Priority Data:
PCT/EP2013/052424
7 February 2013 (07.02.2013) EP
- (72) Inventors; and
- (71) Applicants : KRUG, Jörg [DE/DE]; Untere Straße 6, 35239 Steffenberg (DE). KROESEN, Klaus [DE/DE]; Stephan-Beissel-Strasse 20, 46509 Xanten (DE). SCHMALOR, Christian [DE/DE]; Hagener Str. 59, 59846 Sundern-Hagen (DE). HELD, Micha Alexander

[NL/NL]; Herman Gorterhof 56, NL-2624 Xe Delft (NL). FOSTER, Jody James [GB/GB]; 17 Roe Gardens, Riddington, Nottingham Nottinghamshire NG11 6AQ (GB). MASON, David Anthony [GB/GB]; 28 Spinney Rise, Birstall, Leicester Leicestershire LE4 3DX (GB). HODGES, Kevin Neville [GB/GB]; 101 South Knighton Road, Leicester Leicestershire LE2 3LS (GB). BURDETT, Gary [NZ/NL]; 69 Valreep, NL-1186 ZJ Amstelveen (NL). STADMAN, Robert [NL/NL]; Dibbetsstraat 93, NL-2518 PR The Hague (NL).

(74) Agent: INSTONE, Terry; Appleyard Lees, 15 Clare Road, Halifax Yorkshire HX1 2HY (GB).

(81) Designated States (unless otherwise indicated, for every kind of national protection available): AE, AG, AL, AM, AO, AT, AU, AZ, BA, BB, BG, BH, BN, BR, BW, BY, BZ, CA, CH, CL, CN, CO, CR, CU, CZ, DE, DK, DM, DO, DZ, EC, EE, EG, ES, FI, GB, GD, GE, GH, GM, GT, HN, HR, HU, ID, IL, IN, IR, IS, JP, KE, KG, KN, KP, KR, KZ, LA, LC, LK, LR, LS, LT, LU, LY, MA, MD, ME,

[Continued on next page]

(54) Title: A CAPSULE FOR BEVERAGE DISPENSING APPARATUS

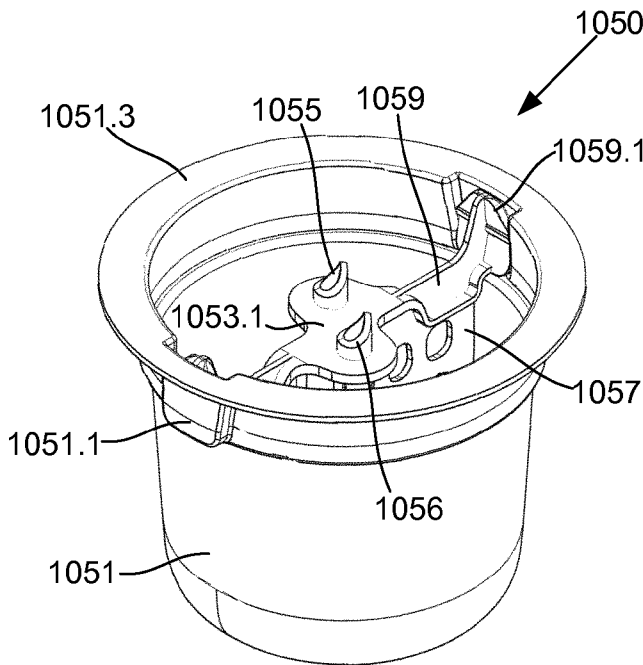


Fig. 10B

(57) Abstract: A capsule (550) for use in apparatus for dispensing liquid beverage, the capsule including at least one capsule side wall (51), a capsule base (552) and a capsule lid (553) defining a capsule cavity containing concentrated beverage and first (555) and second (556) capsule conduits that in use selectively couple to first and second conduits in a beverage receptacle so that when the first conduit is coupled to a fluid supply, fluid is supplied to the capsule and the liquid beverage is supplied to the receptacle.

WO 2014/122254 A3



MG, MK, MN, MW, MX, MY, MZ, NA, NG, NI, NO, NZ, OM, PA, PE, PG, PH, PL, PT, QA, RO, RS, RU, RW, SA, SC, SD, SE, SG, SK, SL, SM, ST, SV, SY, TH, TJ, TM, TN, TR, TT, TZ, UA, UG, US, UZ, VC, VN, ZA, ZM, ZW.

(84) Designated States (unless otherwise indicated, for every kind of regional protection available): ARIPO (BW, GH, GM, KE, LR, LS, MW, MZ, NA, RW, SD, SL, SZ, TZ, UG, ZM, ZW), Eurasian (AM, AZ, BY, KG, KZ, RU, TJ, TM), European (AL, AT, BE, BG, CH, CY, CZ, DE, DK, EE, ES, FI, FR, GB, GR, HR, HU, IE, IS, IT, LT, LU, LV, MC, MK, MT, NL, NO, PL, PT, RO, RS, SE, SI, SK,

SM, TR), OAPI (BF, BJ, CF, CG, CI, CM, GA, GN, GQ, GW, KM, ML, MR, NE, SN, TD, TG).

Published:

- with international search report (Art. 21(3))
- before the expiration of the time limit for amending the claims and to be republished in the event of receipt of amendments (Rule 48.2(h))

(88) Date of publication of the international search report:

20 November 2014

INTERNATIONAL SEARCH REPORT

International application No
PCT/EP2014/052415

A. CLASSIFICATION OF SUBJECT MATTER
INV. A47J31/40 B65D85/804
ADD.
According to International Patent Classification (IPC) or to both national classification and IPC

B. FIELDS SEARCHED
Minimum documentation searched (classification system followed by classification symbols)
A47J B65D
Documentation searched other than minimum documentation to the extent that such documents are included in the fields searched

Electronic data base consulted during the international search (name of data base and, where practicable, search terms used)
EPO-Internal, WPI Data

C. DOCUMENTS CONSIDERED TO BE RELEVANT

Category*	Citation of document, with indication, where appropriate, of the relevant passages	Relevant to claim No.
X	WO 2012/104760 A1 (SARONG SPA [IT]; BARTOLI ANDREA [IT]; CAPITINI DAVIDE [IT]; BARBIERI F) 9 August 2012 (2012-08-09) page 7 - page 25 figures 1-15 ----- -/--	1-6, 14-16, 21-23, 27-30, 34-38, 40, 44-48, 56,57

Further documents are listed in the continuation of Box C.

See patent family annex.

* Special categories of cited documents :

"A" document defining the general state of the art which is not considered to be of particular relevance

"E" earlier application or patent but published on or after the international filing date

"L" document which may throw doubts on priority claim(s) or which is cited to establish the publication date of another citation or other special reason (as specified)

"O" document referring to an oral disclosure, use, exhibition or other means

"P" document published prior to the international filing date but later than the priority date claimed

"T" later document published after the international filing date or priority date and not in conflict with the application but cited to understand the principle or theory underlying the invention

"X" document of particular relevance; the claimed invention cannot be considered novel or cannot be considered to involve an inventive step when the document is taken alone

"Y" document of particular relevance; the claimed invention cannot be considered to involve an inventive step when the document is combined with one or more other such documents, such combination being obvious to a person skilled in the art

"&" document member of the same patent family

Date of the actual completion of the international search 23 September 2014	Date of mailing of the international search report 29/09/2014
--	--

Name and mailing address of the ISA/ European Patent Office, P.B. 5818 Patentlaan 2 NL - 2280 HV Rijswijk Tel. (+31-70) 340-2040, Fax: (+31-70) 340-3016	Authorized officer Duc, Emmanuel
--	---

INTERNATIONAL SEARCH REPORT

International application No
PCT/EP2014/052415

C(Continuation). DOCUMENTS CONSIDERED TO BE RELEVANT		
Category*	Citation of document, with indication, where appropriate, of the relevant passages	Relevant to claim No.
X	US 2005/084569 A1 (HU RUGUO [US] ET AL) 21 April 2005 (2005-04-21) paragraphs [0113] - [0142] figures 1-13 -----	1-4,6, 14-16, 29, 34-38, 40, 44-48, 56,57
X	US 2004/182250 A1 (HALLIDAY ANDREW [GB] ET AL) 23 September 2004 (2004-09-23) paragraph [0109] - paragraph [0110] figures 1-11 -----	1,3-6, 14-16, 29,30, 34-38, 40,44
A	EP 0 057 671 A2 (UNOPER SRL [IT]) 11 August 1982 (1982-08-11) the whole document -----	1-6, 14-30, 34-38, 40, 44-48, 56,57
A	WO 2011/042489 A1 (NESTEC SA [CH]; MANSER DANIEL ROLAND [CH]; EPARS YANN [CH]; WYSS HEINZ) 14 April 2011 (2011-04-14) cited in the application the whole document -----	1-6, 14-30, 34-38, 40, 44-48, 56,57
X	DE 10 2009 007553 A1 (DESIGNAFFAIRS GMBH [DE] COFFEEAFFAIRS GMBH [DE]) 5 August 2010 (2010-08-05) paragraph [0034] - paragraph [0055] figures 1-10 -----	1,16-20, 23,27,28

INTERNATIONAL SEARCH REPORT

International application No.
PCT/EP2014/052415

Box No. II Observations where certain claims were found unsearchable (Continuation of item 2 of first sheet)

This international search report has not been established in respect of certain claims under Article 17(2)(a) for the following reasons:

1. Claims Nos.:
because they relate to subject matter not required to be searched by this Authority, namely:

2. Claims Nos.:
because they relate to parts of the international application that do not comply with the prescribed requirements to such an extent that no meaningful international search can be carried out, specifically:

3. Claims Nos.:
because they are dependent claims and are not drafted in accordance with the second and third sentences of Rule 6.4(a).

Box No. III Observations where unity of invention is lacking (Continuation of item 3 of first sheet)

This International Searching Authority found multiple inventions in this international application, as follows:

see additional sheet

1. As all required additional search fees were timely paid by the applicant, this international search report covers all searchable claims.

2. As all searchable claims could be searched without effort justifying an additional fees, this Authority did not invite payment of additional fees.

3. As only some of the required additional search fees were timely paid by the applicant, this international search report covers only those claims for which fees were paid, specifically claims Nos.:

1-6, 14-30, 34-38, 40, 44-48, 56, 57

4. No required additional search fees were timely paid by the applicant. Consequently, this international search report is restricted to the invention first mentioned in the claims; it is covered by claims Nos.:

Remark on Protest

- The additional search fees were accompanied by the applicant's protest and, where applicable, the payment of a protest fee.
- The additional search fees were accompanied by the applicant's protest but the applicable protest fee was not paid within the time limit specified in the invitation.
- No protest accompanied the payment of additional search fees.

FURTHER INFORMATION CONTINUED FROM PCT/ISA/ 210

This International Searching Authority found multiple (groups of) inventions in this international application, as follows:

1. claims: 1-6, 14-16, 29, 30, 34-38, 40, 44-48, 56, 57

Capsule wherein:

- a) the first capsule conduit extends from proximate the lid and terminates remote from the capsule base allowing fluid to be supplied to the capsule away from the capsule base; and,
- b) the second capsule extends from proximate substantially along a length of the capsule and terminates adjacent the capsule base allowing fluid to be dispensed from the capsule via the second capsule conduit.

2. claims: 7-13, 39

Capsule wherein the capsule includes at least one element for agitating contents of the capsule

3. claims: 17-20

Capsule wherein each capsule conduit has a spike that pierces the capsule lid

4. claims: 21, 22

Capsule wherein the capsule includes a lid engaging plate that engages an underside of a capsule lid when a top side of the lid is engaged by a receptacle base to thereby effect sealing between the capsule and the receptacle base

5. claims: 23-28

Capsule wherein the capsule includes a conduit body mounted in the cavity, the conduit body including the first and second capsule conduits

6. claims: 31-33

Capsule wherein the lid is bonded to a first part of the rim with a first bond strength and to a second part of the rim with a second bond strength, the second bond strength being less than the first bond strength,
or wherein the capsule lid includes at least one tab for facilitating at least partial removal of the lid

7. claims: 41-43

FURTHER INFORMATION CONTINUED FROM PCT/ISA/ 210

Capsule wherein the capsule includes at least one control marking, wherein in use production of the liquid beverage is at least partially controlled in accordance with the marking

8. claims: 49-53

A beverage receptacle wherein the second conduit includes a one way valve that in use, at least one of:

- a) prevents fluid flow from the receptacle to the capsule;
- and,
- b) allows air into the receptacle during consumption of the beverage.

9. claims: 54, 55

A beverage receptacle wherein the receptacle base includes a ridge, so that when the receptacle base and capsule engage, the ridge engages part of the pierceable capsule lid to thereby at least one of:

- a) selectively deform at least one capsule side wall; and,
- b) tension a pierceable capsule lid to thereby assist in piercing the capsule lid.

10. claims: 58-65

A fluid supply system for use in apparatus for dispensing liquid beverage, wherein the fluid supply system includes a pair of conjoined plates, at least one of the plates including channels defining fluid conduits positioned between the plates and at least one of the plates supporting fluid supply components including at least one of a pump, flow control valves, a filter and a heater, at least some of the components being provided in fluid communication with the channels, thereby allowing the components to be interconnected.

INTERNATIONAL SEARCH REPORT

Information on patent family members

International application No

PCT/EP2014/052415

Patent document cited in search report	Publication date	Patent family member(s)	Publication date	
WO 2012104760	A1	09-08-2012	CA 2825999 A1	09-08-2012
			CN 103476687 A	25-12-2013
			EP 2670687 A1	11-12-2013
			JP 2014504537 A	24-02-2014
			US 2014026761 A1	30-01-2014
			WO 2012104760 A1	09-08-2012
US 2005084569	A1	21-04-2005	US 2003056661 A1	27-03-2003
			US 2005084569 A1	21-04-2005
US 2004182250	A1	23-09-2004	US 2004182250 A1	23-09-2004
			US 2010078446 A1	01-04-2010
			US 2012148721 A1	14-06-2012
			US 2013164416 A1	27-06-2013
			US 2014141133 A1	22-05-2014
EP 0057671	A2	11-08-1982	DE 3261150 D1	13-12-1984
			EP 0057671 A2	11-08-1982
			ES 262906 U	01-11-1982
			IT 1210982 B	29-09-1989
			US 4471689 A	18-09-1984
WO 2011042489	A1	14-04-2011	AU 2010305408 A1	10-05-2012
			CA 2776957 A1	14-04-2011
			CN 102647929 A	22-08-2012
			EP 2485627 A1	15-08-2012
			ES 2432675 T3	04-12-2013
			HK 1174232 A1	17-01-2014
			JP 2013507155 A	04-03-2013
			PT 2485627 E	10-10-2013
			RU 2012118674 A	20-11-2013
			US 2012199227 A1	09-08-2012
			WO 2011042489 A1	14-04-2011
DE 102009007553	A1	05-08-2010	DE 102009007553 A1	05-08-2010
			WO 2010089106 A1	12-08-2010