



US00D749020S

(12) **United States Design Patent**  
**McFarland**

(10) **Patent No.:** **US D749,020 S**

(45) **Date of Patent:** **\*\* Feb. 9, 2016**

- (54) **STOWABLE HITCH RECEIVER**
- (71) Applicant: **Gary McFarland**, Santa Fe, TX (US)
- (72) Inventor: **Gary McFarland**, Santa Fe, TX (US)
- (\*\*) Term: **14 Years**
- (21) Appl. No.: **29/498,869**
- (22) Filed: **Aug. 8, 2014**
- (51) **LOC (10) Cl.** ..... **12-16**
- (52) **U.S. Cl.**  
USPC ..... **D12/162**
- (58) **Field of Classification Search**  
USPC ..... D12/162, 159, 160, 161  
CPC ..... B60D 1/065; B60D 1/00; B60D 1/60;  
B60D 1/06  
See application file for complete search history.

- D709,805 S \* 7/2014 Hill ..... D12/162
- D714,194 S \* 9/2014 DePietro ..... D12/162
- D729,703 S \* 5/2015 Song ..... D12/162
- D729,704 S \* 5/2015 Song ..... D12/162
- D730,782 S \* 6/2015 Miller ..... D12/162
- D737,734 S \* 9/2015 McGinnes ..... D12/162
- D737,735 S \* 9/2015 Giannatti ..... D12/162

\* cited by examiner

*Primary Examiner* — Katrina A Betton

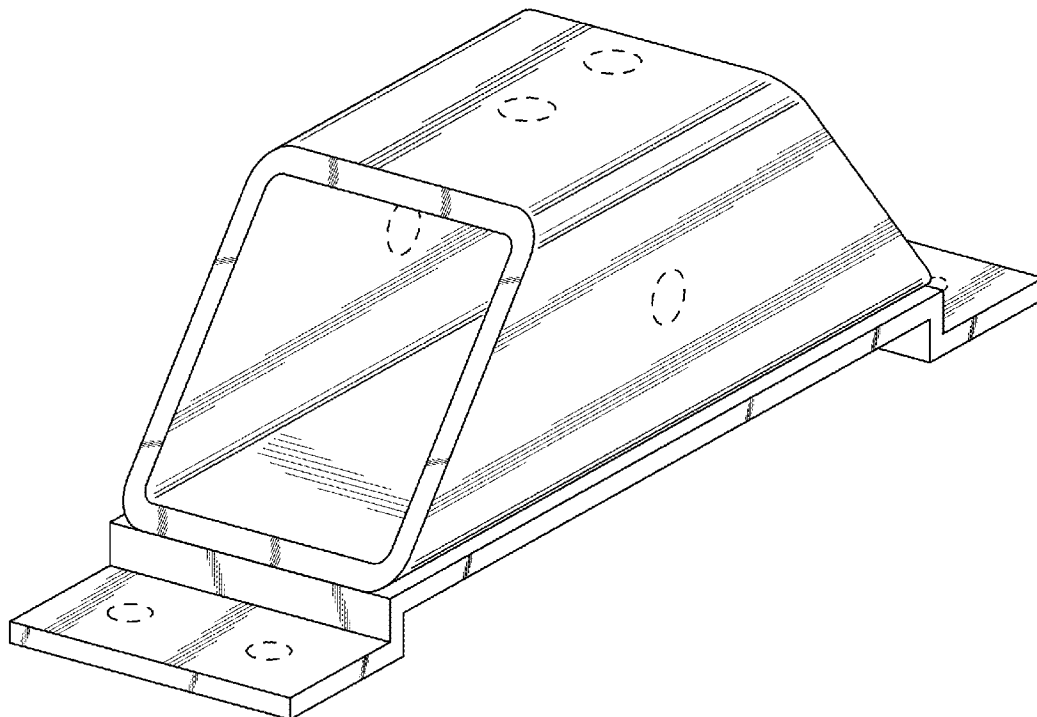
(57) **CLAIM**  
The ornamental design for a stowable hitch receiver, as shown and described.

**DESCRIPTION**

FIG. 1 is a perspective front view of the stowable hitch receiver, showing my new design;  
FIG. 2 is a front side view thereof, wherein a back side view is a mirror image thereof;  
FIG. 3 is a right side view thereof, wherein a left side view is a mirror image thereof;  
FIG. 4 is a top side view thereof; and,  
FIG. 5 is a bottom side view thereof.  
The broken lines showing the location of the holes forms no part of the claimed design.

**1 Claim, 5 Drawing Sheets**

- (56) **References Cited**  
U.S. PATENT DOCUMENTS  
D683,279 S \* 5/2013 Borkholder ..... D12/162  
D686,954 S \* 7/2013 Scruggs ..... D12/162  
D688,986 S \* 9/2013 Duffy ..... D12/162  
D705,704 S \* 5/2014 Lane ..... D12/162  
D708,099 S \* 7/2014 Oman ..... D12/162  
D709,804 S \* 7/2014 Provost ..... D12/162



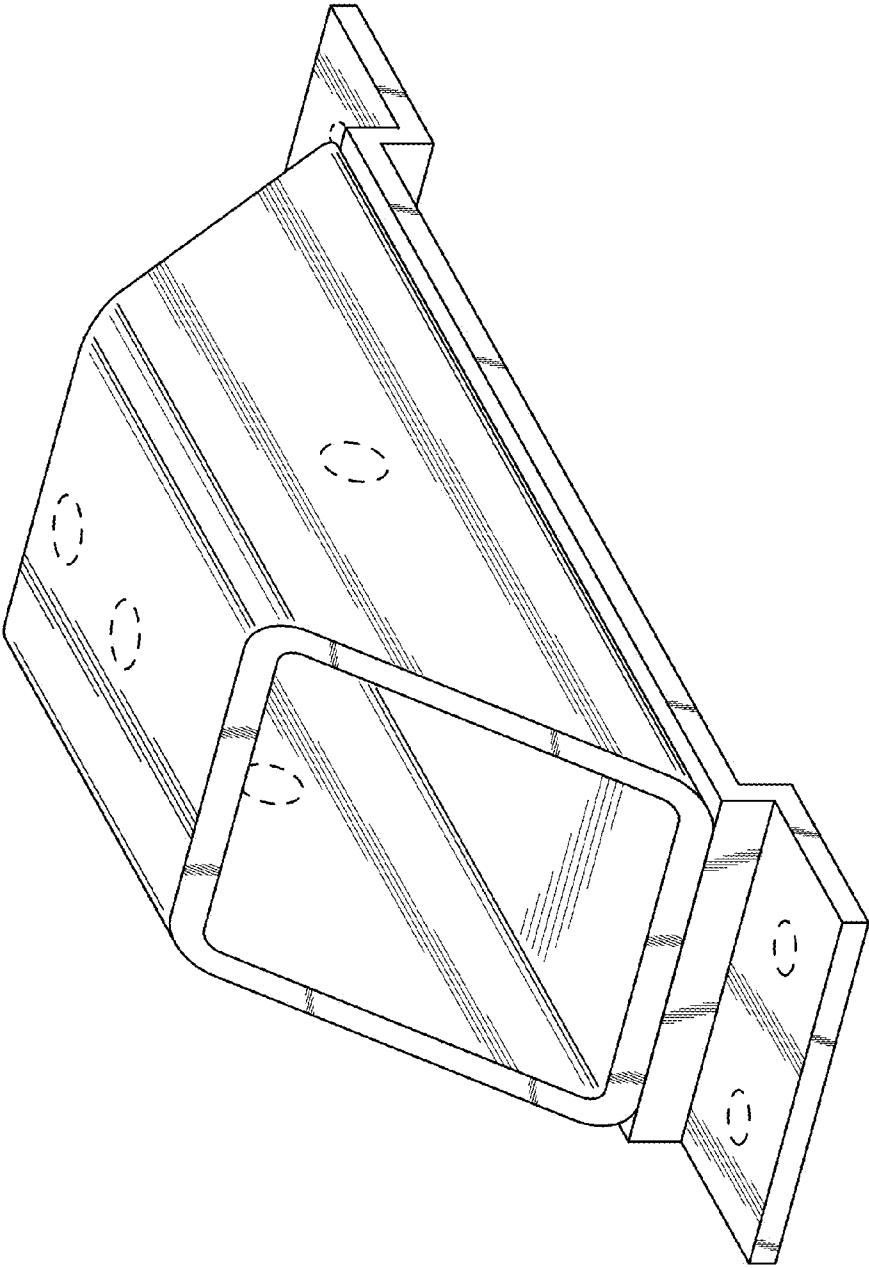


Fig. 1

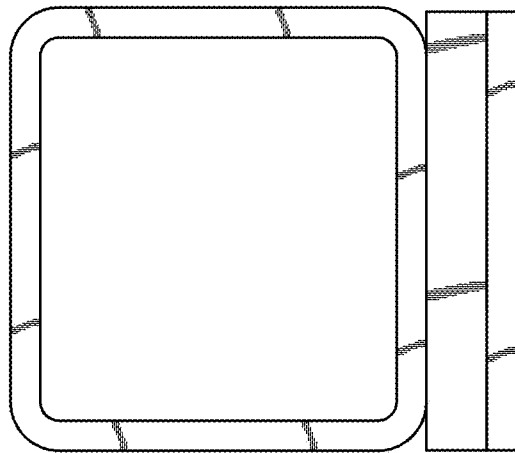


Fig. 2

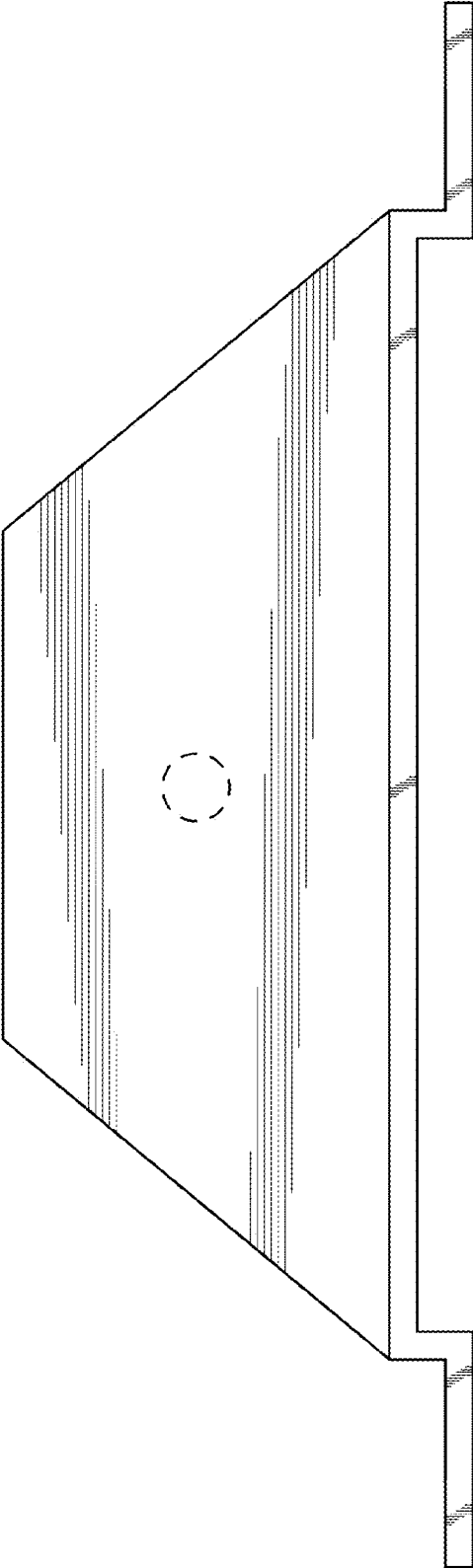


Fig. 3

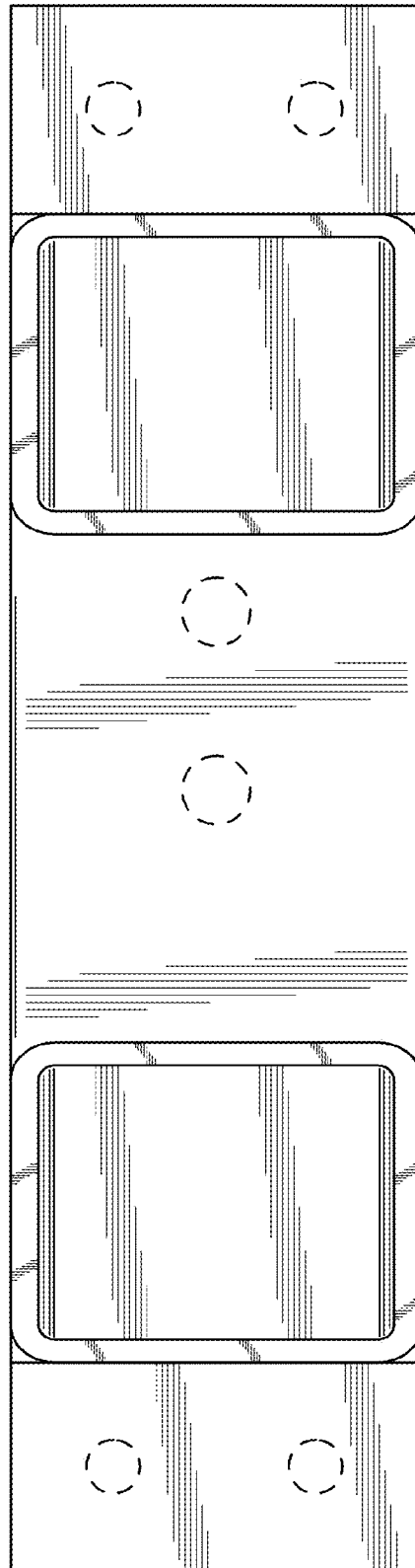


Fig. 4

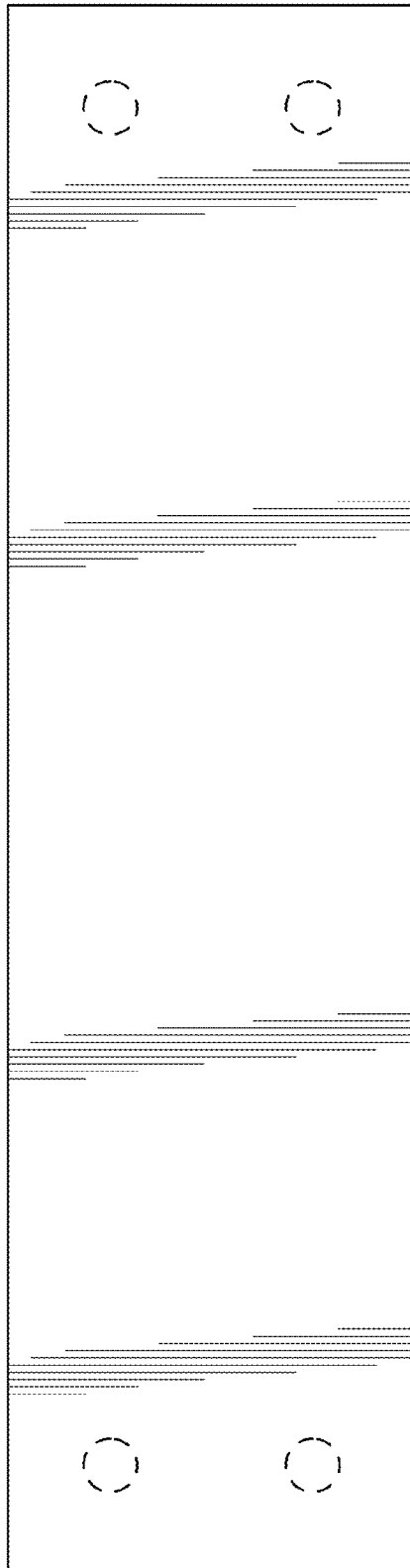


FIG. 5